

NORTON

clipper

NORTON

clipper

RTON

clipper

BBH 43
BBH 43
BBH 23
BBH 25
BBH 47
BBH 27

OWNER'S MANUAL

TWO TYPES OF MOTORS:

CENTURY AND G.E.

BLOCKBUSTER SUPER PRO MASONRY SAW

V-BELTS 14" 216663

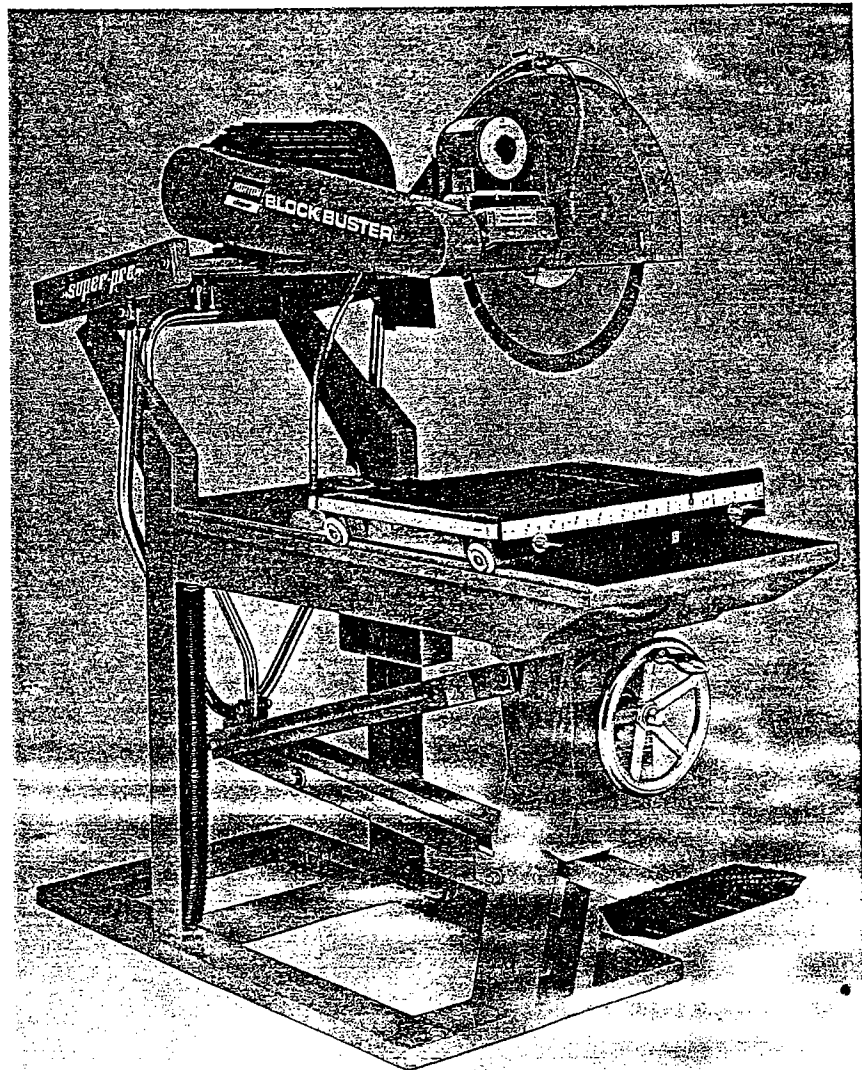
V-BELTS 20" 216662

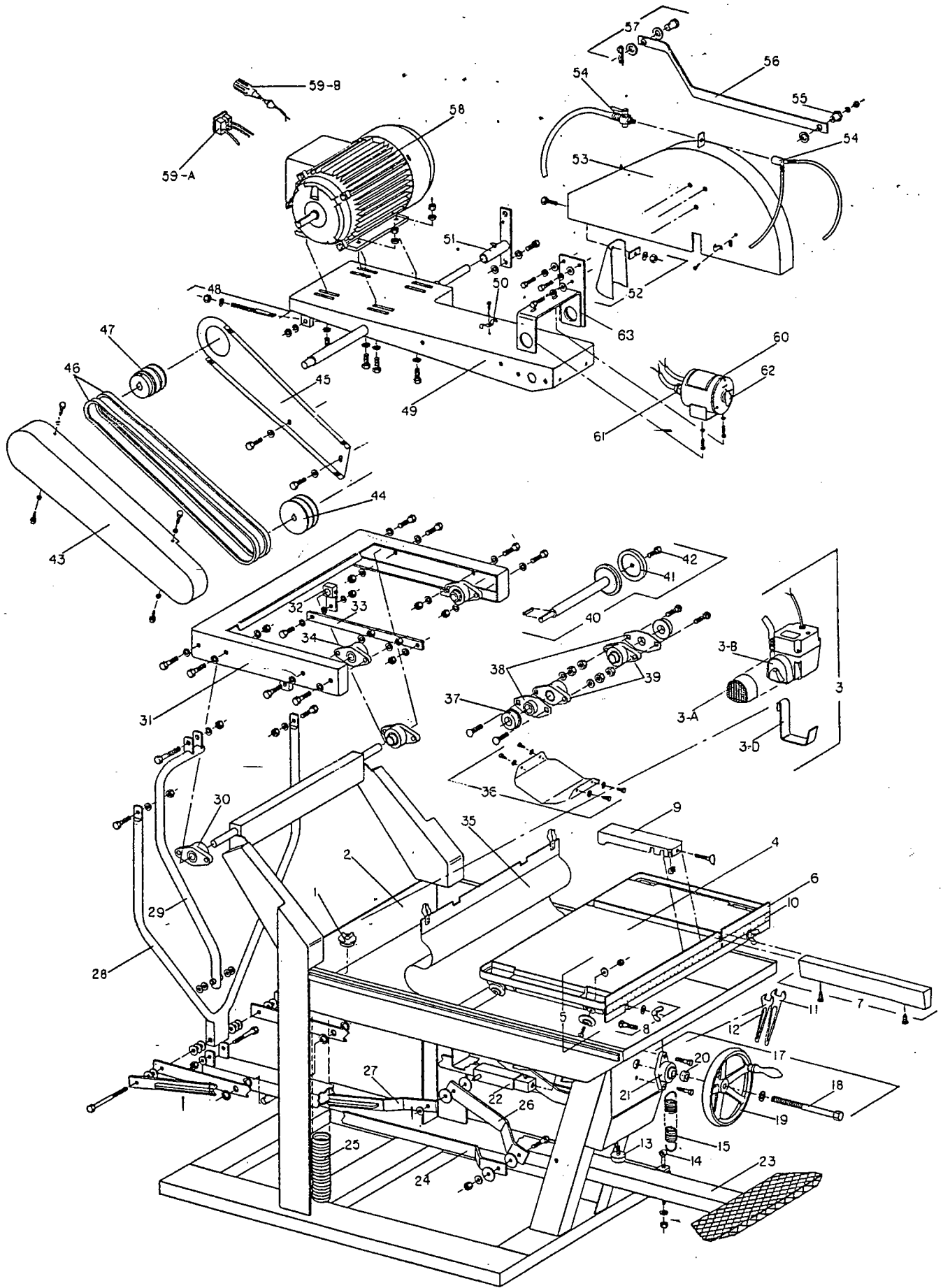
CONVEYOR CART 83777

MODEL BBH

WATER PUMP 214169 OR

210437





HOOD
SCREEN

101375
155775
FITS 214169

IV. PARTS LIST SECTION

BBH MASONRY SAWS

| NO. | DESCRIPTION | PART NO. | NO. | DESCRIPTION | PART NO. |
|-----|---------------------------|----------------------------|-----|----------------------------|-----------------------------------|
| 1. | Drain Plug | 200298 213622 | 21. | Bearing Kit Raise Screw | 219065 |
| 2. | Frame Weldment | OBS 2190266 | 22. | Cover Raise Lower | 219010 |
| 3. | Water Pump Assembly | 214169 | 23. | Foot Pedal Weldment | 219029 |
| | Screen | FITS 210437 | 24. | Horizontal Link Assy 2 req | 219031 |
| | Hood | FITS 210437 | 25. | Drain Hose & Clamp | 219066 |
| | Impeller (not shown) | 216658 | 26. | Vertical Link Assy | 76207 219067 |
| 4. | Conveyor Cart Assembly | 216286 83777 | 27. | Horizontal Link Weldment | 219032 |
| 5. | Sheave Assv. Conveyor (4) | 213621 75333 | 28. | Yoke Weldment Assy | 219027 219068 |
| 6. | Back Stop, Conveyor Cart | 216288 83895 | 29. | Connecting Link Assy | 76204 219069 |
| 7. | Wood Strip Kit, Conveyor | 216287 | 30. | Pivot Bar Rear | 72475 219071 |
| 8. | Hdwre Kit, Back Stop (2) | 216293 | 31. | Swing Arm Assy. | 219005 219072 |
| 9. | Guide-A-Cut Assembly | 83892 216128 | 32. | Set Collar Kit | 219073 |
| 10. | Scale Kit Decal | 76147 216291 | 33. | Lower Stay Level Arm Assy | 219074 |
| 11. | Wrench, 3/4" | 213643 | 34. | Bearing Kit Pivot Head | 219076 72475 NEED 2 |
| 12. | Wrench, 7/8" | 214124 | 35. | Water Curtain Assy | 219038 219075 |
| 13. | Stop, Rubber | 72351 210051 | 36. | Protection Plate Kit | 76111 |
| 14. | Tensioning eye-bolt | 73277 | 37. | Bushings Bearings Nylon | 213631 73220 |
| 15. | Spring Foot Pedal | 72567 | 38. | Supports Blade Shaft | 76060 218050 |
| 16. | Decal Kit (not shown) | OBS 219062 | 39. | Bearings Bladeshaft | 218049 |
| 17. | Raise Screw Assy | 76198 219063 | 40. | Blade Shaft kit | 76556 218050 |
| 18. | Raise Screw Kit | 219064 | 41. | Loose Collar | 73281 218016 |
| 19. | Hand Wheel | 219034 | 42. | Screw Loose Collar | 8042096 |
| 20. | Set Collar | 101132 | 43. | Belt Guard Assy | 76129 219051 |

IV. PARTS LIST SECTION
BBH MASONRY SAWS

| NO. | DESCRIPTION | PART NO. | NO. | DESCRIPTION | PART NO. |
|-----|---------------------------|-----------------------------|------|---|---------------------------------|
| 44. | Pulley Blade Shaft | 76132 | 59A. | Receptacle, Water Pump | 216579 |
| 45. | Bracket Belt Guard | 218052C 73298 | 59B. | Pigtail, Water Pump | 212168 OBS 212168 |
| 46. | V-Belts 20" Eqpt | 216662 | 60. | Switch Assembly Dual Volt (115/230/60/1) Single Phase Only! Used on 235/435 SY Models | 218092 219060 |
| | V-Belts 14" Eqpt | 216663 | | | |
| 47. | Pulley Motor 14" Eqpt | 76130 | | Switch Assembly, On-Off (230/60/1) Single Phase Only! Used on 235/435 CY Models | 218093 219059 |
| | Pulley Motor 20" Eqpt | 76131 | | | |
| 48. | Screw Belt Tensioning | 73277 | 49. | Cutting Head Wldmt. | 219015C 219059 |
| | | | | | |
| 50. | Clamps Kit Cable | 214029 | | Switch Assembly, On-Off (230 or 460/60/3) Three Phase Used on 275/475 TY & UY Models | 218094 219059 |
| 51. | Stay Level Pivot Wldmt | 219009 | | | |
| 52. | Spalsh Guard Kit | 218053 | | | |
| 53. | Blade Guard Wldmt. | 76037 214124C | | | |
| | Blade Guard Wldmt. | 76126 218054C | | | |
| 54. | Water Dist Assy 14" | 218021 214120 | | | |
| | Water Dist Assy 20" | 218055 | | | |
| 55. | Cam Kit Stay-Level Arm | 214132 76597 | | | |
| 56. | Stay-Level Arm | 218014 73266 | | | |
| 57. | Pin Kit Stay Level Arm | 214131 76039 | | | |
| 58. | Motor 3 hp 115/230/60/1 | 211036 | | | |
| | Motor 5 hp 230/60/1 | 211038 232088 | | | |
| | Motor 5 HP 220/440/3 | 219040 | | | |
| | Motor 7.5 HP 220/440/60/3 | 219041 232100 | | | |