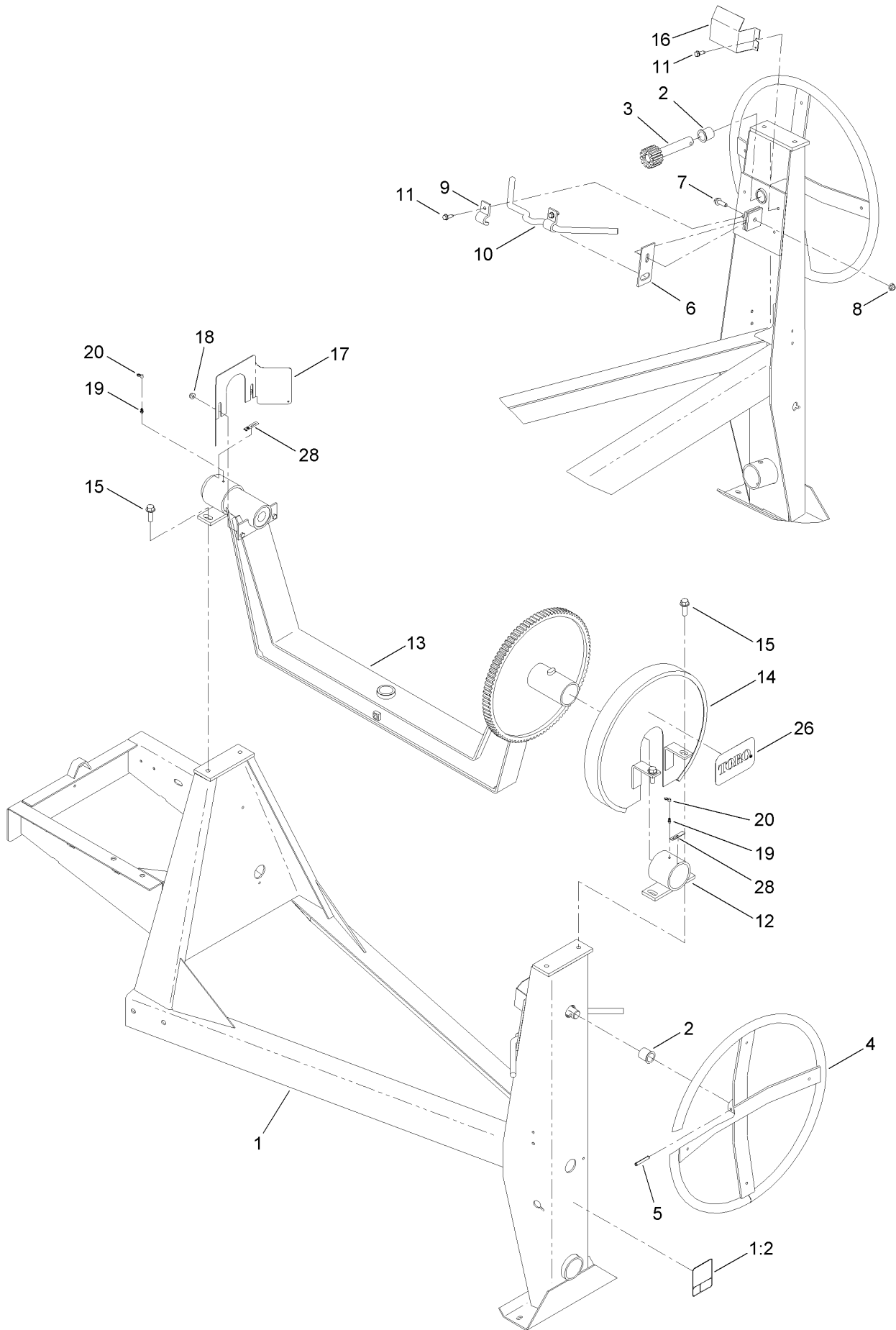


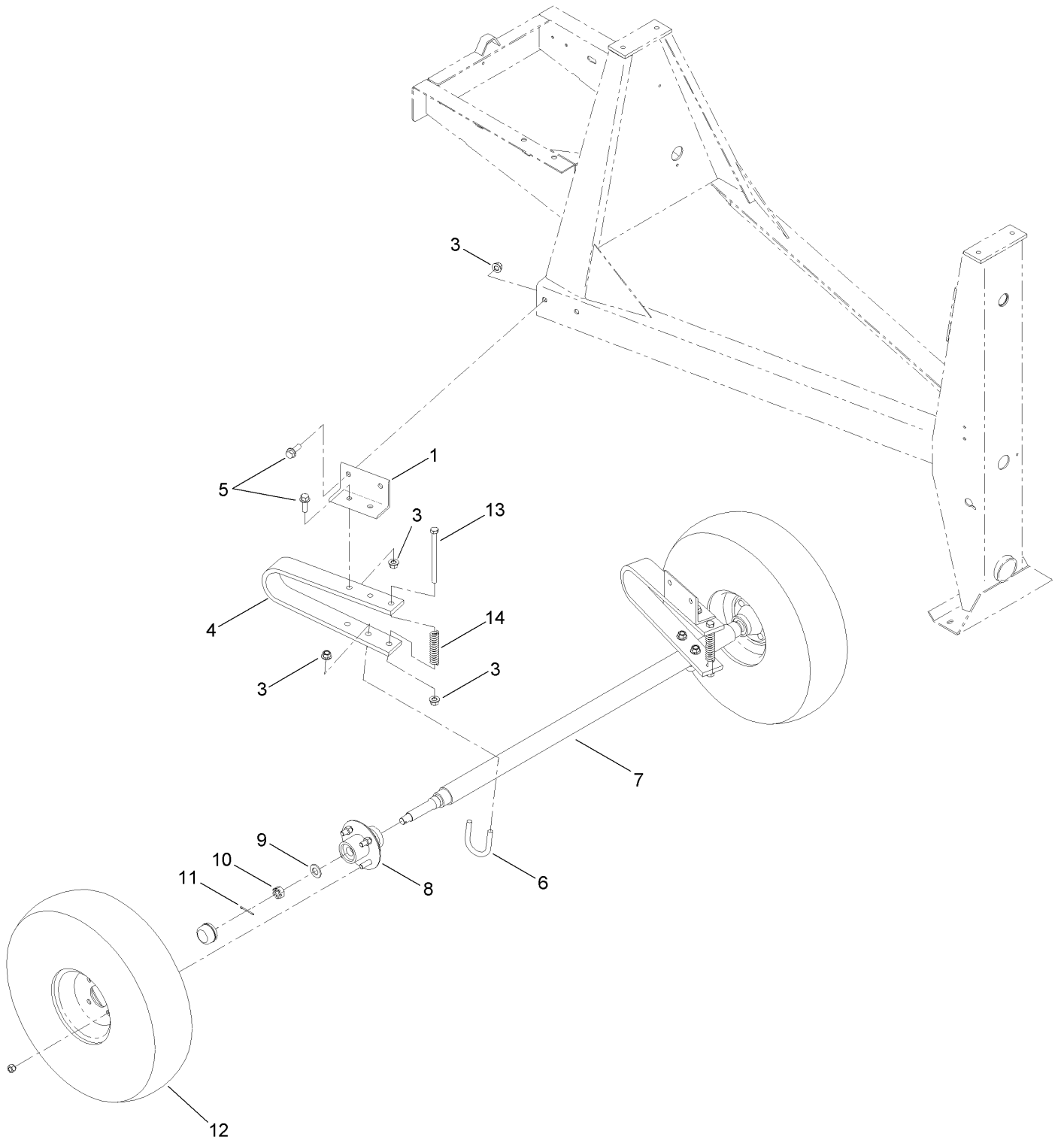
# Frame and Yoke Assembly



## Frame and Yoke Assembly (continued)

| <i>Ref.</i> | <i>Part Number</i> | <i>Qty.</i> | <i>Description</i>         | <i>Ref.</i> | <i>Part Number</i> | <i>Qty.</i> | <i>Description</i> |
|-------------|--------------------|-------------|----------------------------|-------------|--------------------|-------------|--------------------|
| 1           | 127-2814           | 1           | Frame ASM                  | 12          | ST24349-03         | 2           | Trunnion           |
| 1:2         | 125-8216           | 1           | Decal-Safety Chain, Towing | 13          | 125-6308           | 1           | Yoke ASM           |
| 2           | ST32032            | 2           | Bushing-Nylon              | 14          | ST27617-03         | 1           | Guard-Brake, Upper |
| 3           | ST22029            | 1           | Shaft-Tilt                 | 15          | ST80031            | 4           | Screw-HWH          |
| 4           | ST22096-03         | 1           | Handwheel                  | 16          | ST27618-03         | 1           | Guard-Brake, Lower |
| 5           | 32121-27           | 1           | Pin-Roll                   | 17          | ST27144-03         | 1           | Guard-Pinion       |
| 6           | ST27619-03         | 1           | Dog-Brake                  | 18          | 104-8300           | 2           | Nut-Flange, NI     |
| 7           | 3234-24            | 1           | Screw-HHF                  | 19          | ST46042            | 2           | Fitting-Grease     |
| 8           | 104-8301           | 1           | Nut-Flange, NI             | 20          | ST47001            | 2           | Cap-Plug           |
| 9           | ST27559-03         | 2           | Bracket-Handle             | 26          | 99-4693            | 1           | Decal              |
| 10          | ST27621            | 1           | Handle-Brake               | 28          | 125-8175           | 2           | Decal-Grease       |
| 11          | 701243             | 4           | Screw-HWHTF                |             |                    |             |                    |

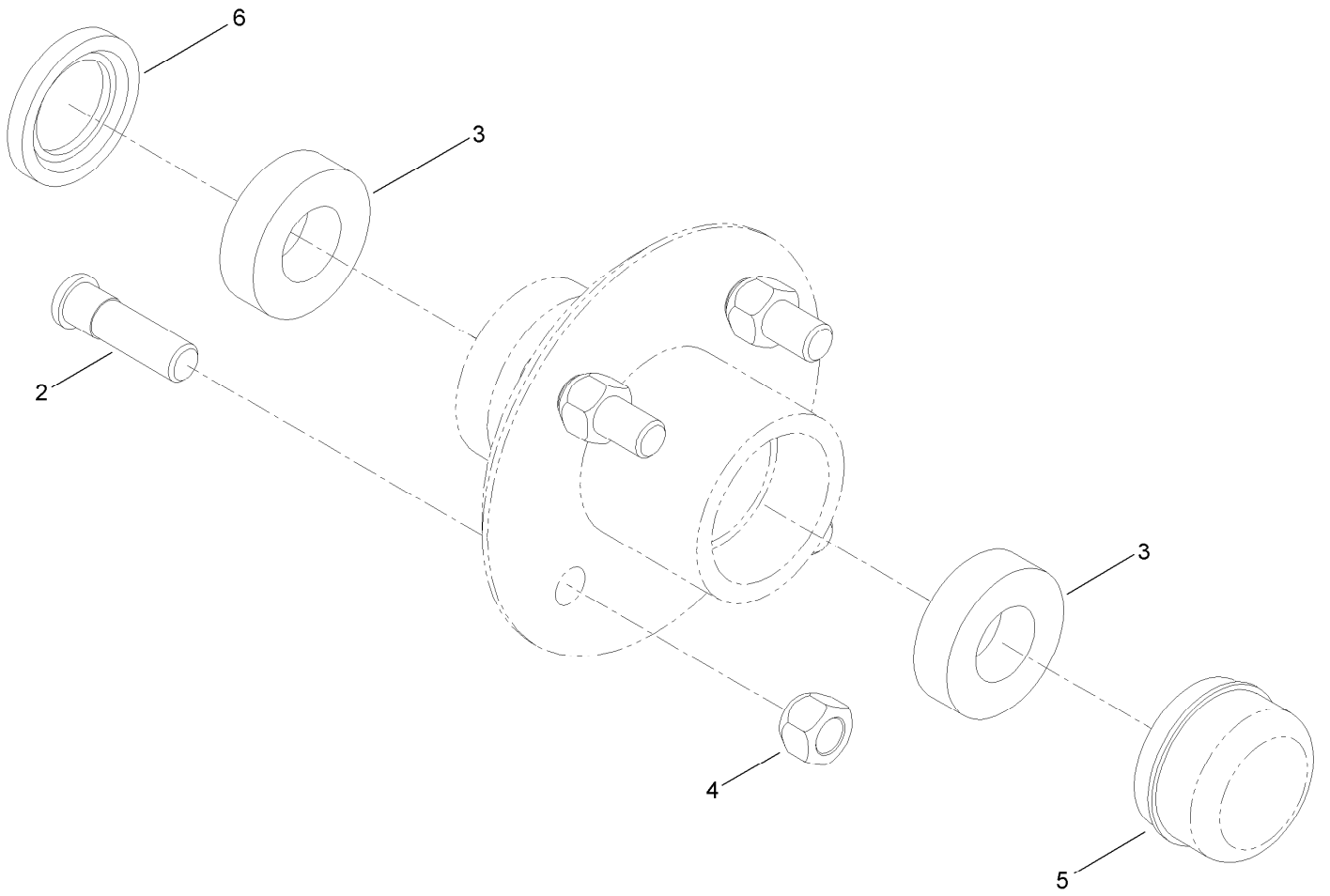
# Axle Assembly



## Axle Assembly (continued)

| <i>Ref.</i> | <i>Part Number</i> | <i>Qty.</i> | <i>Description</i>   | <i>Ref.</i> | <i>Part Number</i> | <i>Qty.</i> | <i>Description</i> |
|-------------|--------------------|-------------|----------------------|-------------|--------------------|-------------|--------------------|
| 1           | ST26949-03         | 2           | Bracket-Axle, Spring | 9           | 3256-28            | 2           | Washer-Flat        |
| 3           | 99-5107            | 14          | Nut-Lock             | 10          | ST80054            | 2           | Nut                |
| 4           | ST26971            | 2           | Spring-Leaf          | 11          | 3272-13            | 2           | Pin-Cotter         |
| 5           | 100-6116           | 8           | Screw-HHF            | 12          | ST32307            | 2           | Tire And Rim ASM   |
| 6           | ST26195            | 2           | Bolt-U               | 13          | 325-33             | 2           | Screw-HH           |
| 7           | ST21460-03         | 1           | Axle-Spring          | 14          | ST34972            | 2           | Spring-Coil        |
| 8           | 125-8171           | 2           | Hub ASM              |             |                    |             |                    |

# Hub Assembly No. 125-8171

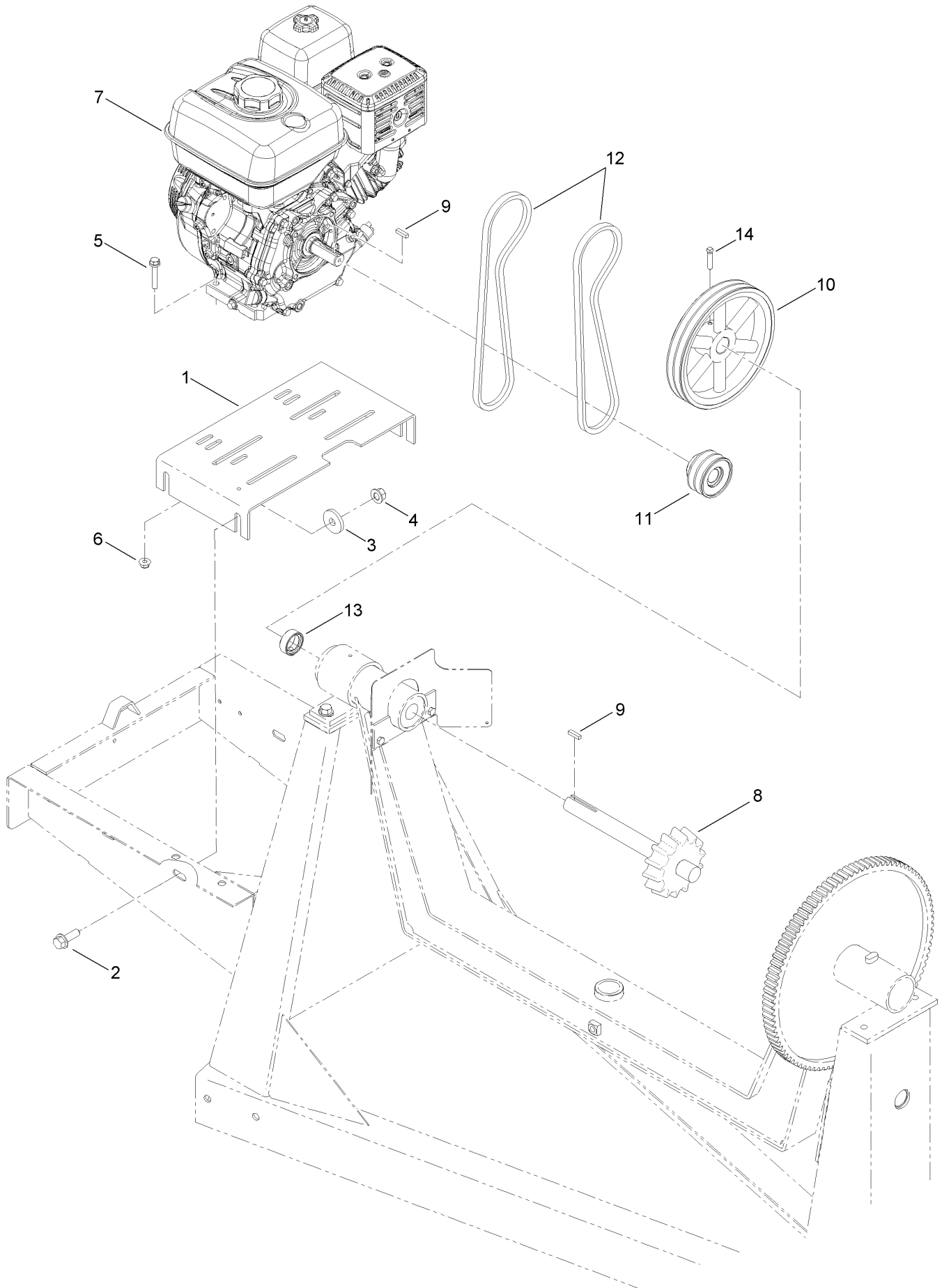


## Hub Assembly No. 125-8171 (continued)

| <i>Ref.</i> | <i>Part Number</i> | <i>Qty.</i> | <i>Description</i> |
|-------------|--------------------|-------------|--------------------|
| 2           | ST39190            | 4           | Stud-Wheel         |
| 3           | ST32233            | 2           | Bearing-Roller     |
| 4           | ST80045            | 4           | Nut-Lug            |

| <i>Ref.</i> | <i>Part Number</i> | <i>Qty.</i> | <i>Description</i> |
|-------------|--------------------|-------------|--------------------|
| 5           | ST34573            | 1           | Cap-Dust           |
| 6           | ST32052            | 1           | Seal-Hub, Wheel    |

# Engine Assembly

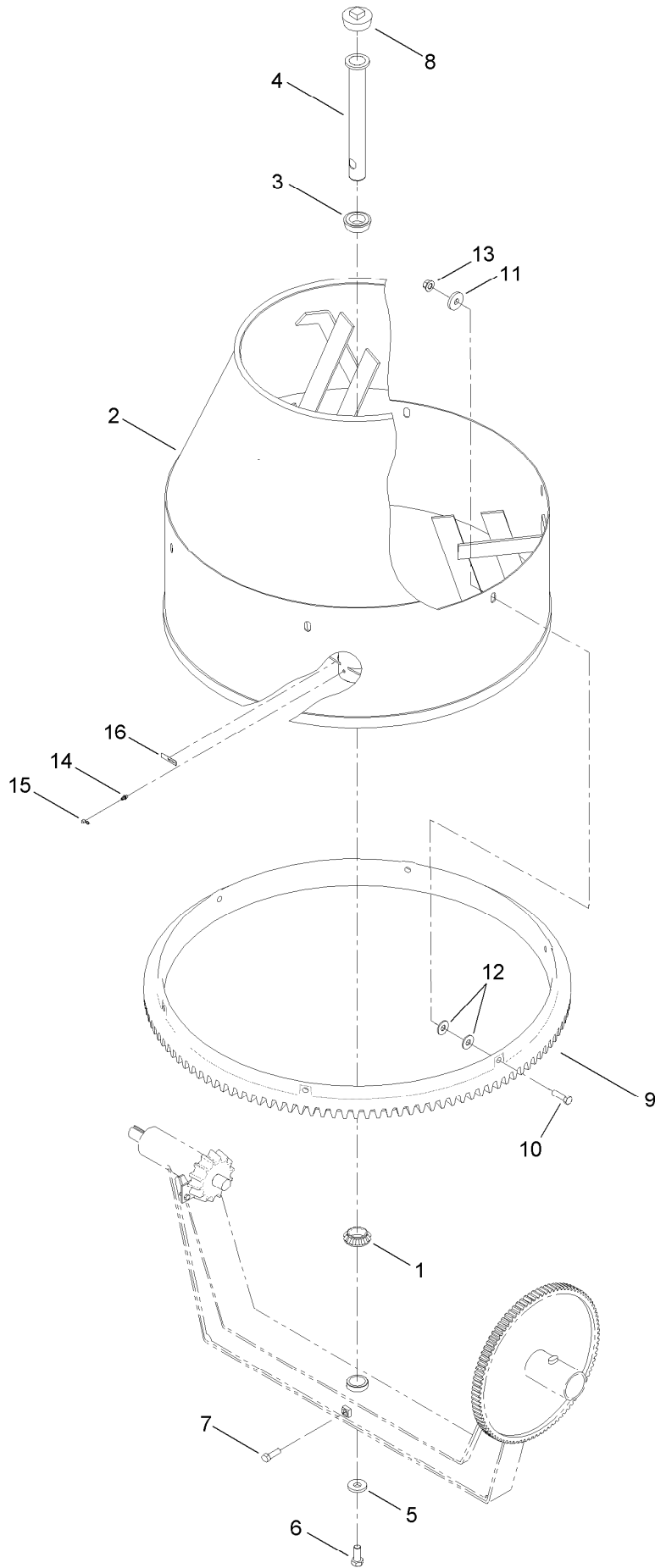


## Engine Assembly (continued)

| <i>Ref.</i> | <i>Part Number</i> | <i>Qty.</i> | <i>Description</i>    | <i>Ref.</i> | <i>Part Number</i> | <i>Qty.</i> | <i>Description</i> |
|-------------|--------------------|-------------|-----------------------|-------------|--------------------|-------------|--------------------|
| 1           | ST28045-03         | 1           | Base-Motor            | 8           | ST21487            | 1           | Shaft-Drive        |
| 2           | 100-6116           | 4           | Screw-HHF             | 9           | 5-7280             | 2           | Key                |
| 3           | ST26326            | 4           | Washer-Flat           | 10          | ST34986-03         | 1           | Sheave             |
| 4           | 99-5107            | 4           | Nut-Lock              | 11          | ST34984            | 1           | Sheave             |
| 5           | 108-3742           | 4           | Screw-HHF             | 12          | 127-0075           | 2           | Belt-V             |
| 6           | 104-8301           | 4           | Nut-Flange, NI        | 13          | ST32176            | 1           | Collar-Locking     |
| 7           | 125-4812           | 1           | Engine-Honda, Gx240 ● | 14          | 909546             | 2           | Screw-Set, SQH     |

● Obtain parts from [www.honda-engines.com](http://www.honda-engines.com)

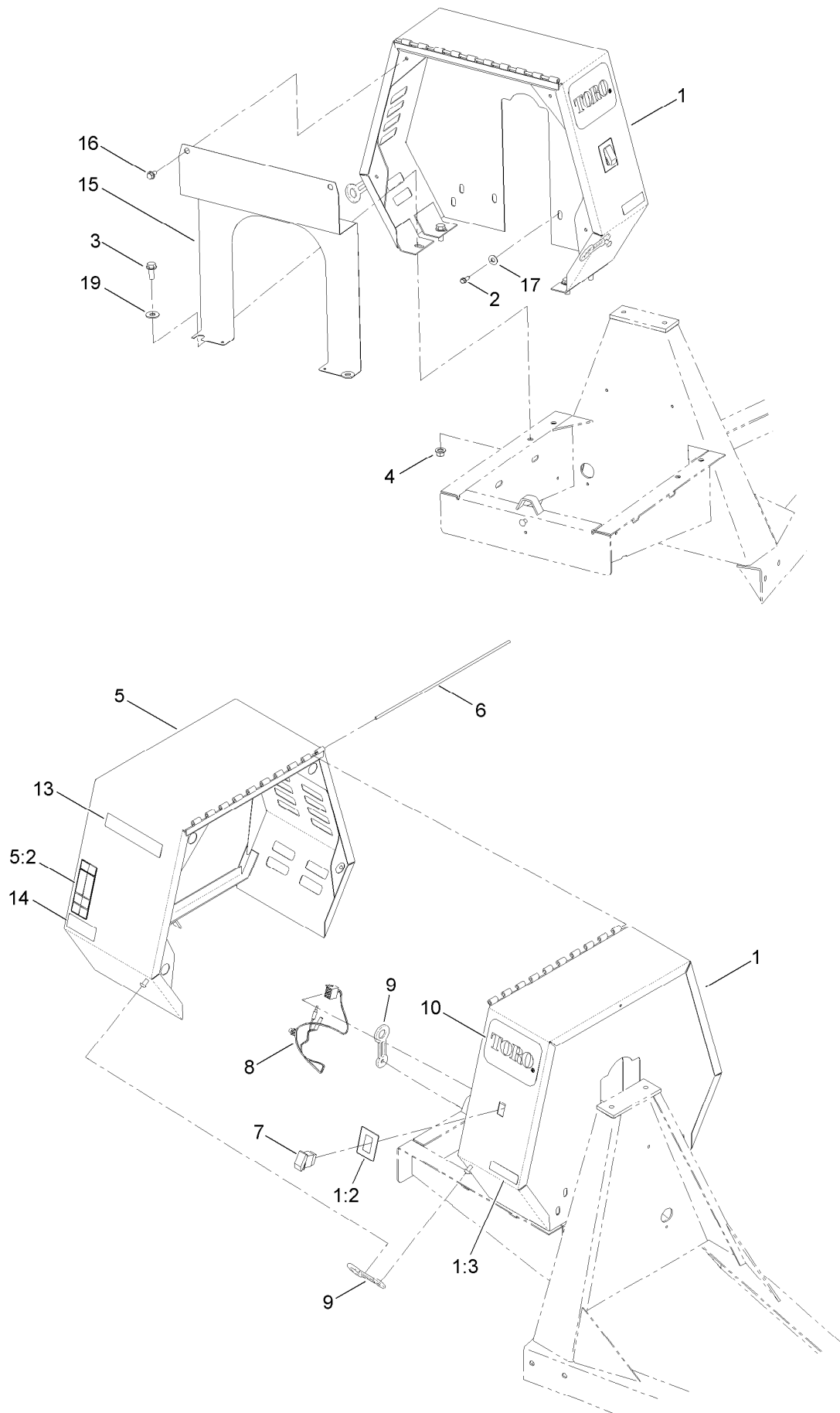
# Drum Assembly



## Drum Assembly (continued)

| <i>Ref.</i> | <i>Part Number</i> | <i>Qty.</i> | <i>Description</i> | <i>Ref.</i> | <i>Part Number</i> | <i>Qty.</i> | <i>Description</i> |
|-------------|--------------------|-------------|--------------------|-------------|--------------------|-------------|--------------------|
| 1           | ST32161            | 1           | Bearing-Roller     | 9           | ST26317-01         | 1           | Gear-Ring          |
| 2           | 125-6306-01        | 1           | Drum               | 10          | 325-7              | 6           | Screw-HH           |
| 3           | ST32086            | 1           | Bearing            | 11          | ST26326            | 6           | Washer-Flat        |
| 4           | ST27267            | 1           | Spindle            | 12          | 3256-6             | 12          | Washer-Flat        |
| 5           | ST27413            | 1           | Washer-Flat        | 13          | 99-5107            | 6           | Nut-Lock           |
| 6           | 327-4              | 1           | Screw-HH           | 14          | ST46057            | 1           | Fitting            |
| 7           | 325-6              | 1           | Screw-HH           | 15          | ST47001            | 1           | Cap-Plug           |
| 8           | ST46022            | 1           | Plug               | 16          | 125-8175           | 1           | Decal-Grease       |

# Cowl Assembly



## Cowl Assembly (continued)

| <i>Ref.</i> | <i>Part Number</i> | <i>Qty.</i> | <i>Description</i>    | <i>Ref.</i> | <i>Part Number</i> | <i>Qty.</i> | <i>Description</i>  |
|-------------|--------------------|-------------|-----------------------|-------------|--------------------|-------------|---------------------|
| 1           | 127-2811           | 1           | Stationary Cowl ASM   | 8           | 125-4877           | 1           | Harness-Wire, Mixer |
| 1:2         | 125-4940           | 1           | Decal-Engine Stop     | 9           | ST47182            | 3           | Latch-Rubber        |
| 1:3         | 117-2718           | 1           | Decal-Arrester, Spark | 10          | 67-7320            | 2           | Decal               |
| 2           | 701243             | 2           | Screw-HWHTF           | 13          | 125-4937           | 2           | Decal               |
| 3           | 3234-38            | 4           | Screw-HHF             | 14          | 125-4942           | 1           | Decal               |
| 4           | 99-5107            | 4           | Nut-Lock              | 15          | 125-8218-03        | 1           | Plate-Engine        |
| 5           | 127-1685           | 1           | Movable Cowl ASM      | 16          | 110-9380           | 2           | Screw-HWH           |
| 5:2         | 125-4939           | 1           | Decal-Warning         | 17          | 3256-4             | 2           | Washer-Flat         |
| 6           | ST44368            | 1           | Pin                   | 19          | 3256-6             | 2           | Washer-Flat         |
| 7           | 95-8999            | 1           | Switch                |             |                    |             |                     |

# Attachments and Accessories

## For 68006 CM-958H-S Concrete Mixer

| <b>Product Name</b>               | <b>Model/Part</b> |
|-----------------------------------|-------------------|
| 31in Forged Tow Pole Hitch .....  | 68056             |
| 31in Pintel Tow Pole Hitch .....  | 68058             |
| 31in Stamped Tow Pole Hitch ..... | 68060             |
| Trailer Light Kit.....            | 68062             |