



OPERATOR/SERVICE MANUAL

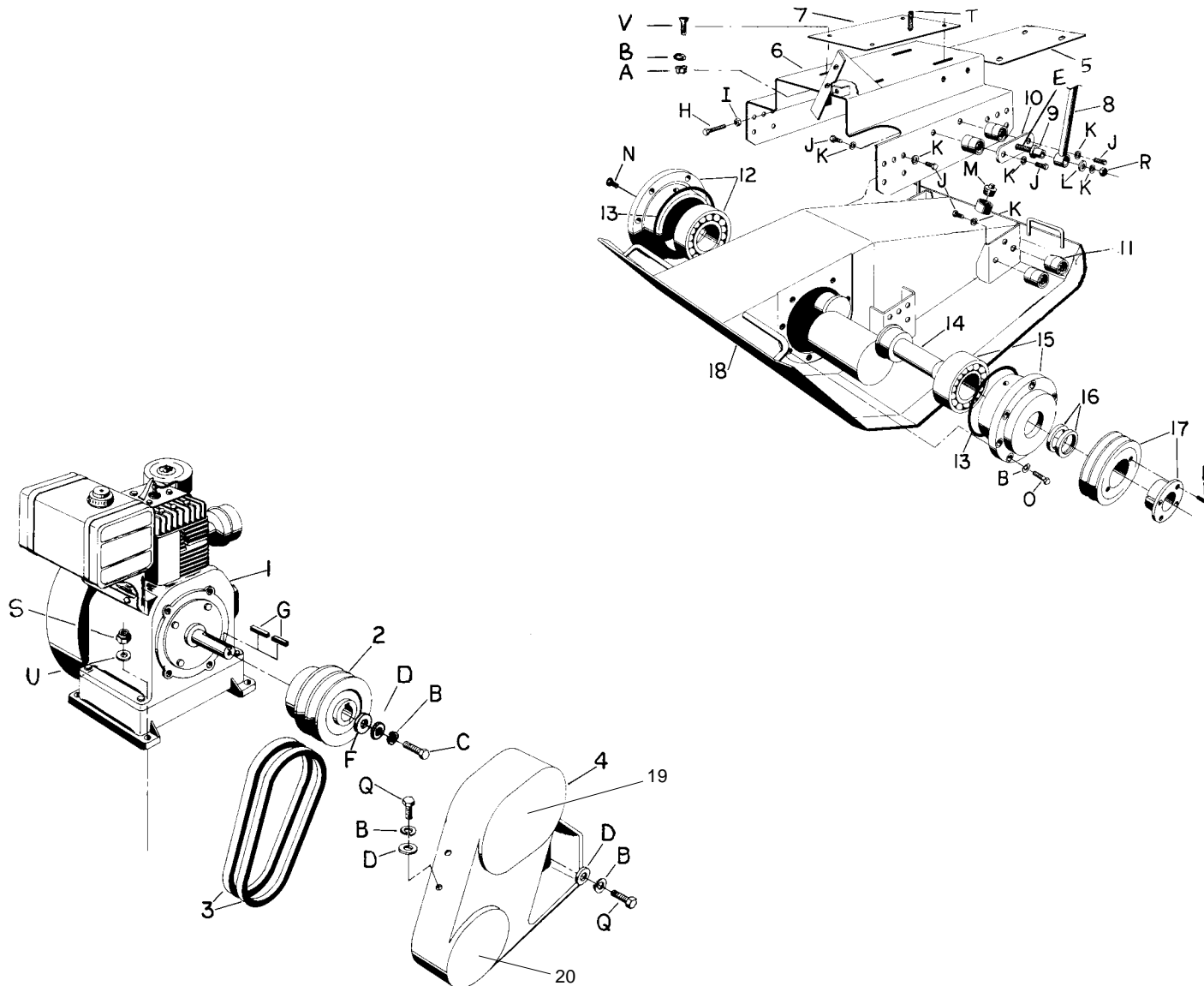
**MODELS: S-20, S-20A, S-28, S-28A,
S-38, S-38D, S-38A, S-38DA,
S-52, S-52D, S-52T, S-66**



STONE VIBRATORY PLATE

A 100% employee-owned American manufacturer

5.5 S-Plate Engine/Plate Parts List(S-66)



5.5 S-Plate Engine/Plate Parts List(S-66)

Item	Part No.	Description	Qty.	Item	Part No.	Description	Qty.	Torque	
								FT.LBS.	(Nm)
1	30161	Engine 11 HP Honda	1	A	80325	NUTFL 3/8-16	4		
2	30131	Clutch Centrifugal	1	B	80058	WSHRL 3/8 Med Split	25		
3	34838	V-Belt A-41	2	C	80594	HHCS 7/16-20 X 1 GR 5	1	55	40
4	27503-2	Guard Belt	1	D	80342	WSHR Flat 3/8	5		
5	22247-2	Plate Reinforcement	1	E	80194	HHCS 1/2-13 X 2-1/2	2	75	55
6	21728-2	Motor Base	1	F	26326	WSHR 9/16 X 1-3/4 X 1/4	1		
7	36418-2	Plate Motor Mount	1	G	80061	Key 1/4 X 1/4 X 1-1/2	2		
8	21710-2	Handle	1	H	80164	HHCS 5/16-18 X 1-1/2	1	17	12
9	32040	Urethane Bushing	2	I	80244	NUTFX 5/16-18	1		
10	27189-2	Handle Bracket	2	J	80117	HHCS 1/2-13 X 3/4	32	50	37
11	47014	Shock Mount	18	K	80113	WSHRL 1/2 Med Split	32		
12	27469	Cap & Bearing Blind End	1	L	80343	WSHR Flat 1/2 SAE	2		
13	32046	O-Ring 01-275	2	M	46774	Plug Pipe 3/4	1		
14	21735	Eccentric Shaft	1	N	80185	HHCS 3/8-24 X 1/2	1	50	37
15	27468	Cap & Bearing Sheave End	1	O	80387	HHCS 3/8-24 X 1-1/4 Gr 8	16	50	37
16	32047	Oil Seal National	2	P	80434	HHCS 1/4-20 X 3/4 Gr 5	2	8	6
17	34815	Sheave Offset Gas	1	Q	80102	HHCS 3/8-16 X 1	4	20	15
	35328	Bushing Taperlock	1	R	80051	NUTNY 1/2-13	2		
18	21711-2	Base Plate Mach	1	S	80114	NUTNY 5/16-18	4		
19	55151	Decal S66 Stone	1	T	80035	STUD PEM 5/16-18X2	4		
20	55157	Decal S66 Stripe	1	U	80348	WSHR 5/16 Wrot	4		
*	28683-2	Lift Eye	1	V	80290	FHSCS 3/8-16 X 1-1/4	4		

5.6 Decal Identification

1

SERVICE INSTRUCTIONS

DAILY • WITH ENGINE LEVEL, CHECK OIL. ADD OIL AS NECESSARY. OVER 40°F USE SAE 30, UNDER 40°F USE SAE 5W-20 OIL. • CHECK ECCENTRIC OIL. USE SAE 30. SEE INSTRUCTIONS BELOW • CLEAN AIR FILTER. CLEAN FILTER PROLONGS ENGINE LIFE AND DECREASES GASOLINE CONSUMPTION. SEE INSTRUCTIONS ON FILTER CAP. • TIGHTEN ALL FASTENERS.

WEEKLY • CHANGE ENGINE OIL • CHECK BELT TENSION AND ADJUST AS NECESSARY.

MONTHLY • CHANGE ECCENTRIC OIL. USE SAE 30.

WARNING: ALWAYS STOP ENGINE WHEN FILLING WITH GASOLINE OR WORKING ON MACHINE. KEEP GUARD IN PLACE.

PATENTED: US#4,113,403 CAN#13B6121 AND OTHERS PENDING.

ECCENTRIC OIL LEVEL

(MEASURE WITH 2 TO 2-1/4 IN. SHOWING ON A DIPSTICK SUCH AS A PENCIL.)

55040 DO NOT OVERFILL

3

ENGINE: Must run at full speed (3400 RPM) or on idle to ensure proper clutch life.

55017

4

CAUTION

USE SAFETY STRAPS TO BASE WHEN LIFTING MORE THAN TWO FEET HIGH

55021

6

EAR PROTECTION REQUIRED



55149

5

ECCENTRIC OIL LEVEL

MAINTAIN OIL LEVEL FLUSH WITH PLUG HOLE. DO NOT OVERFILL.

55329

7

WARNING



KEEP GUARDS IN PLACE

55331

2

IDLE ENGINE 5 MINUTES BEFORE STOPPING TO IMPROVE SERVICE LIFE

P/N 55417

8

NOTICE

CONTACT THE MANUFACTURER IMMEDIATELY AT 1-800-888-9926 IF SAFETY OR HAZARD DECALS OR OWNER'S MANUAL ARE MISSING FROM THIS EQUIPMENT. P/N 55156

9

This engine has been tested with fuel treated with

STAB-IL®

to prevent gum and varnish residue in tank.

P/N 55214

5.6 Decal Identification

Item	Part No.	Description	Qty.	Item	Part No.	Description	Qty.	Torque FT.LBS. (Nm)
1	55040	Decal Service Inst. White						
2	55417	Decal Idle Engine White						
3	55017	Decal 3400 RPM Black						
4	55021	Decal Caution Safety Blk						
5	55329	Decal Service Inst.						
6	55149	Decal Ear Protection						
7	55331	Decal Warning Belt Guard						
8	55156	Decal Notice						
9	55214	Decal Sta-Bil						

REMARK: