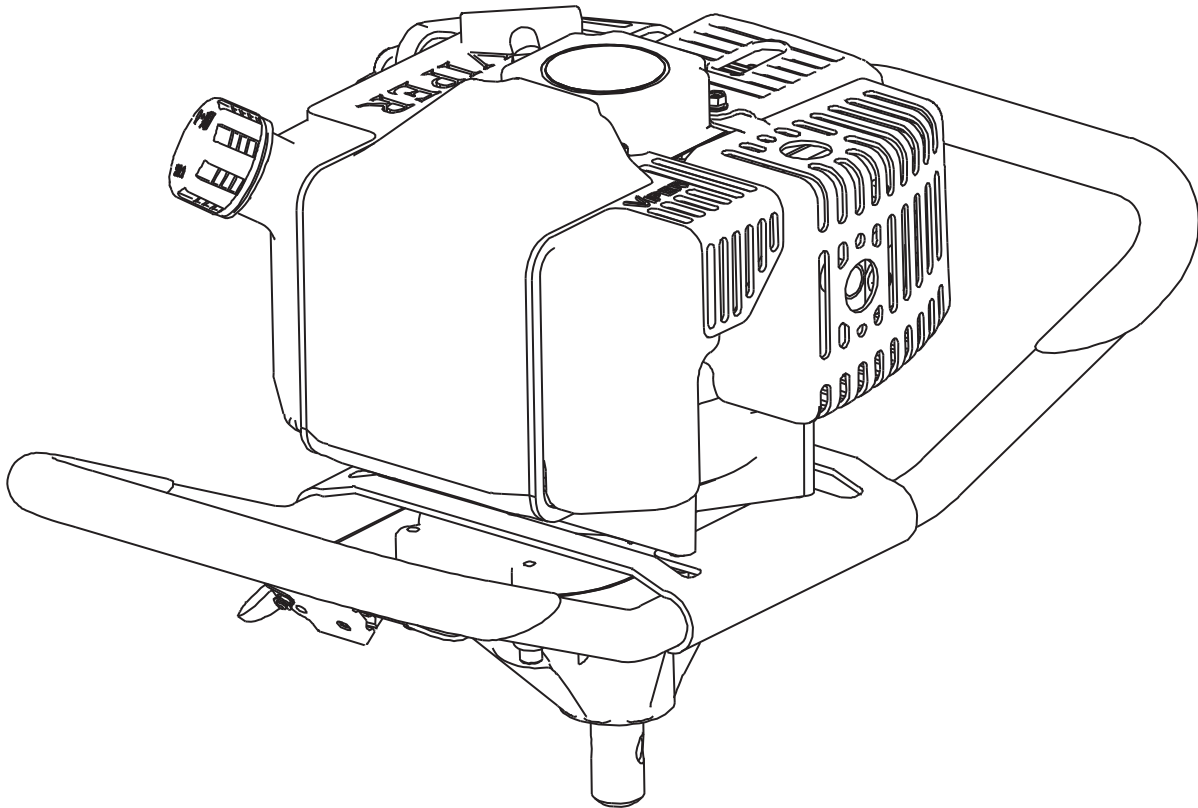


SN



Product Number – Número de producto – Référence

E43
E43CE
22777

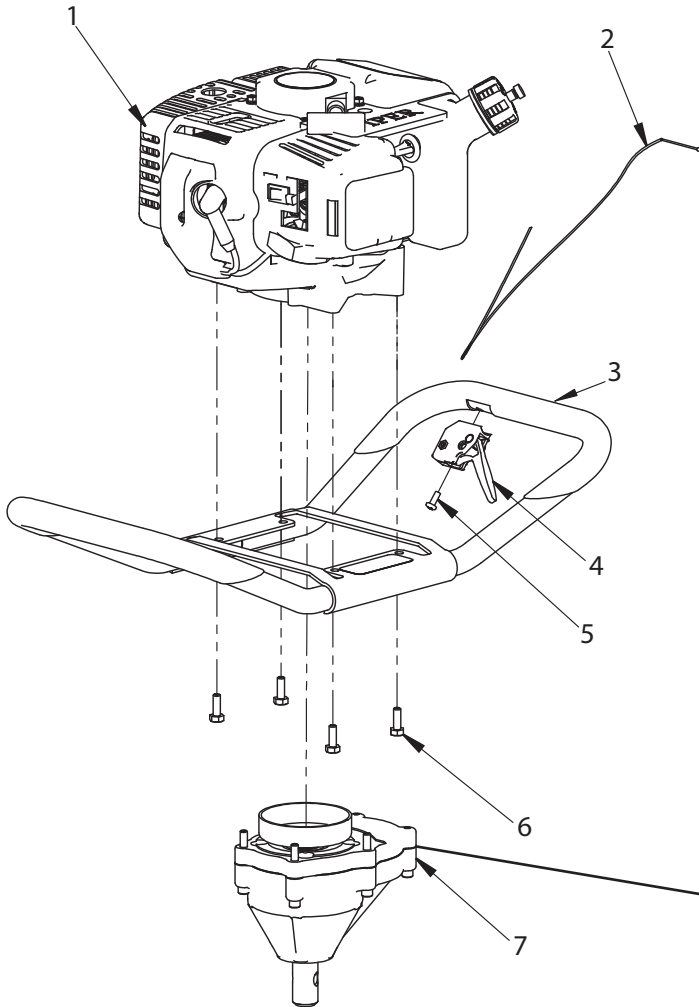
English:Pages 1-24

Español: Páginas 25-50

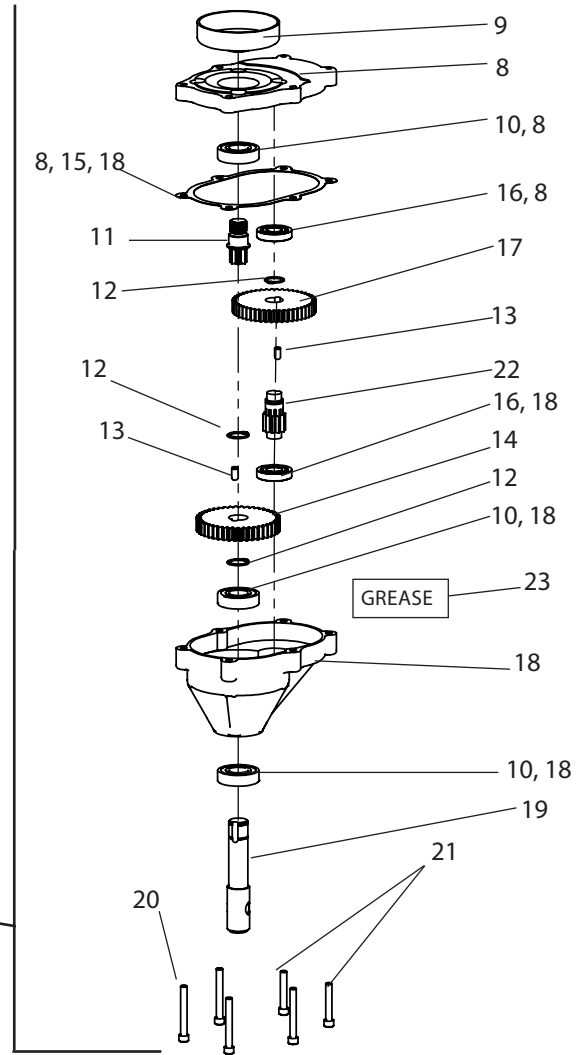
Français:Pages 51-80



POWERHEAD & AUGER PARTS

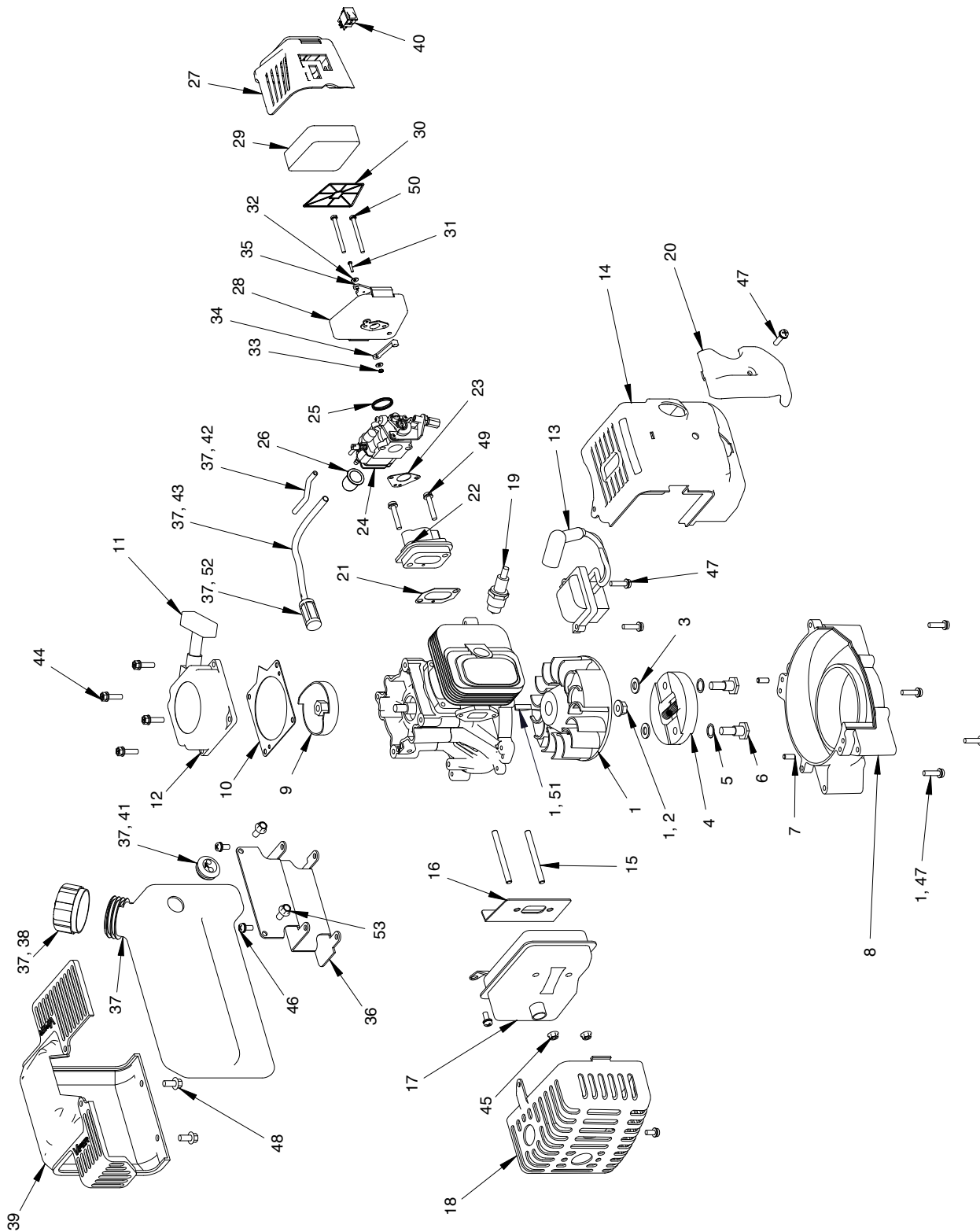


KEY #	PART NO.	DESCRIPTION	QTY.
1	20493	ENGINE VIPER 43CC	1
2	14644	THROTTLE CABLE, E43	1
3	4828	HANDLEBAR THREADED	1
4	4825	ASSEMBLY TRIGGER LONG THROW	1
5	4827	BOLT 10-24 X 1/2 PPHMS GR5 ZN F-T	1
6	8930B	BOLT 1/4-20 X 3/4 HH GR5 BLK ZN	4
7	3004119	TRANSMISSION ASSEMBLY 30:1 E43 S/N 40539	1



KEY #	PART NO.	DESCRIPTION	QTY.
14	8912	GEAR 44T 3/4" HOLE	1
15	8919	GASKET	1
16	8923	BALL BEARING R10	2
17	8914	GEAR 48T HARD	1
18	75600	KIT LOWER CASTING	1
19	8913	SHAFT OUTPUT 7/8"	1
20	8931F	BOLT 1/4-20 X 2 SHCS F-T	4
21	8929	BOLT 1/4-20 X 1-1/2 SHCS	2
22	9214A	GEAR 10T CLUSTER PINION HT	1
23	11468	GREASE EP2 MOLY	1

ENGINE PARTS



ENGINE PARTS LIST

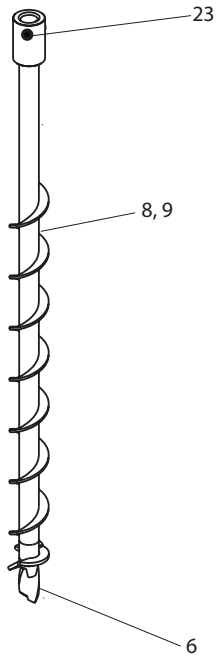
KEY NO.	PART NO.	DESCRIPTION	QTY.
1	11209	FLYWHEEL, MAGNETO	1
2	300337	NUT, FLANGE M8	1
3	300462	WASHER, ROTOR	2
4	300413	CLUTCH ROTOR ASSEMBLY W/SPRING	1
5	300449	WASHER, SPRING	2
6	300450	BOLT, SHOULDER	2
7	300467	PIN, LOCATING	2
8	3004110	MOUNT RING & SHROUD	1
9	300491	RECOIL CLUTCH	1
10	300429	PLATE, RECOIL	1
11	3004121	HANDLE, RECOIL (STANDARD)	1
12	300430	RECOIL ASSEMBLY WITH STANDARD HANDLE	1
13	300472	IGNITION COIL	1
13*	300472CE	IGNITION COIL CE	1
14	300482	SHROUD, ENGINE	1
15	300493	BOLT, STUD M6 X 62MM	2
16	300475	GASKET, MUFFLER	1
17	4813	MUFFLER	1
18	4812	COVER, MUFFLER	1
19	BM6A	SPARK PLUG	1
20	300483	COVER, ENGINE SHROUD	1
21	300476	GASKET, INTAKE	1
22	300478	WINDPIPE, INTAKE 43CC/51CC	1
23	300479	GASKET, CARBURETOR	1
24	300486	CARBURETOR	1
25	300481	O-RING, CARBURETOR	1
26	3004109	PRIMER BULB	1
27	3004158	COVER, AIR FILTER	1
28	3004150	AIR FILTER ASSEMBLY	1
29	3004156	FOAM, AIR FILTER	1
30	3004157	PLATE, REINFORCEMENT	1
31	3004150	AIR FILTER ASSEMBLY	1
32	3004150	AIR FILTER ASSEMBLY	2
33	3004150	AIR FILTER ASSEMBLY	1
34	3004150	AIR FILTER ASSEMBLY	1
35	3004150	AIR FILTER ASSEMBLY	1

KEY NO.	PART NO.	DESCRIPTION	QTY.
36	10683	GAS TANK KIT (INCLUDES TANK. GROMMET, FUEL LINE, FUEL FILTER AND GAS CAP.)	1
37	10683	GAS TANK KIT (INCLUDES TANK. GROMMET, FUEL LINE, FUEL FILTER AND GAS CAP.)	1
38	11936	GAS CAP, MANUAL VENTING	1
39	300332	SHROUD, GAS TANK	1
40	1021	SWITCH, ROCKER	1
41	3004105	KIT FUEL LINE TWO HOLE GROMMET	1
42	3004105	KIT FUEL LINE TWO HOLE GROMMET	1
43	3004105	KIT FUEL LINE TWO HOLE GROMMET	1
44	300335	BOLT W/WASHER PHILLIPS HH	4
45	300492	NUT, FLANGE M6	2
46	300471	BOLT W/WASHER M5 X 12MM	2
47	300439	BOLT W/WASHER PH M5 X 18MM	7
48	300336	BOLT HH M6 X 10MM	2
49	300438	BOLT W/WASHER M5 X 25MM	2
50	300456	BOLT M5 X 50MM	2
51	300338	KEY, FLYWHEEL	1
52	3004103	FILTER, FUEL	1
53	300351	BOLT HH M6 X 8MM	2
-	3004114	KIT, CARBURETOR	1

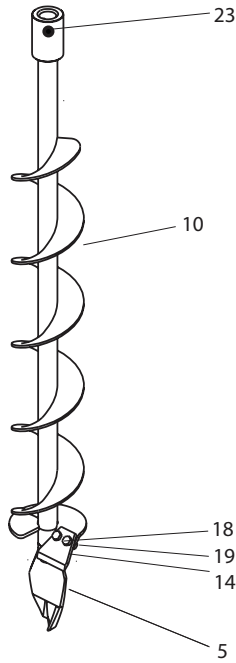
* For E43CE Only.

AUGER PARTS EXPLOSIONS

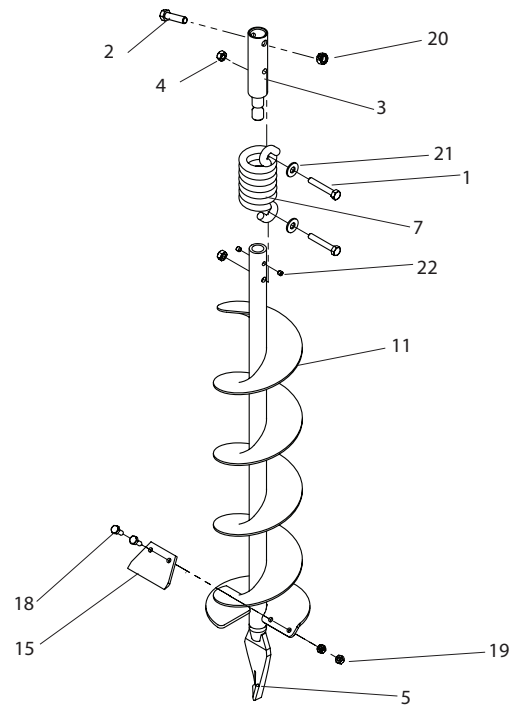
EA2F, EA3F



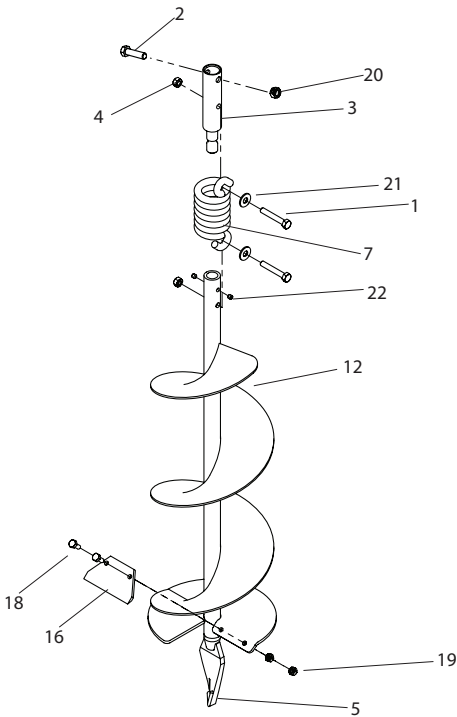
EA4F



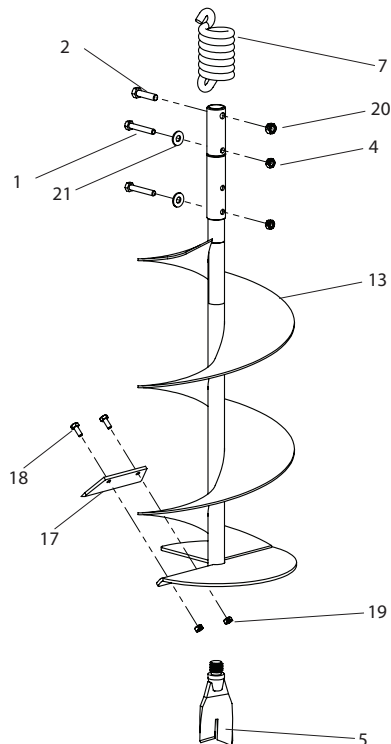
EA6F



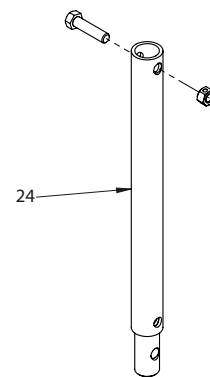
EA8F



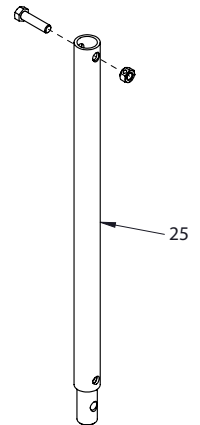
EA10F



EXT12



EXT18



AUGER PARTS LIST

KEY NO.	PART NO.	DESCRIPTION	QTY.
1	1423	BOLT-HHCS, 5/16-18 X 2", GRADE 5 (auger shock spring)	2
2	1433	BOLT-HHCS, 3/8-16 X 1-1/2" (auger to powerhead)	2
3	53684	SHOCK TOP 1-PC (used on 6" and 8" earth augers)	1
4	60G56	NUT-HEX 2-WAY REVERSIBLE LOCK-NUT, 5/16-18	2
5	8958HD	FISHTAIL POINT (used on 4" or larger earth auger)	1
6	8970	EARTH POINT (used on 2" & 3" earth auger)	1
7	8980	SHOCK SPRING (Used on 6" and larger earth augers)	1
8	EA2F	EARTH AUGER, 2" W/FISHTAIL POINT	1
9	EA3F	EARTH AUGER, 3" W/FISHTAIL POINT	1
10	EA4F	EARTH AUGER, 4" W/FISHTAIL POINT	1
11	EA6F	EARTH AUGER, 6" W/FISHTAIL POINT	1
12	EA8F	EARTH AUGER, 8" W/FISHTAIL POINT	1
13	EA10F	EARTH AUGER, 10" W/FISHTAIL POINT	1
14	EB4	EARTH BLADE, 4" (includes EBOLT & ENUT)	1
15	EB6	EARTH BLADE, 6" (includes EBOLT & ENUT)	1
16	EB8	EARTH BLADE, 8" (includes EBOLT & ENUT)	1
17	EB10	EARTH BLADE, 10" (includes EBOLT & ENUT)	1
18	EBOLT	BOLT-HEX, 1/4-28 X 5/8", GRADE 5 (earth blade to auger)	2
19	ENUT	NUT-NYLOC, 1/4-28	2
20	2104	NUT HEX LOCKING, 3/8-16	2

KEY NO.	PART NO.	DESCRIPTION	QTY.
21	WF516	WASHER-FLAT, 5/16"	2
22	715	SET SCREW 1/4-20 X 1/4 SCPC BLK OXIDED	2
23	8955	BOLT 3/8-16 X 1-1/4 SHCS	1
24	EXT12	DEPTH EXTENSION, 12"	1
25	EXT18	DEPTH EXTENSION, 18"	1
ITEMS NOT SHOWN			
-	EB6HD	HEAVY DUTY EARTH BLADE, 6" (includes EBOLT & ENUT)	1
-	EB8HD	HEAVY DUTY EARTH BLADE, 8" (includes EBOLT & ENUT)	1
-	EB-10HD	HEAVY DUTY EARTH BLADE, 10" (includes EBOLT & ENUT)	1