



Classic Agricultural Animal Confinement Building Heaters

Model	Btuh / kW
346/348*	60,000/17.6
377/379*	115,000/33.7

Available in either Propane Vapor Withdrawal or Natural Gas Configurations.

View this manual online at www.lbwhite.com

Attention

Fully accessorized models 346, 348, 377, and 379 have been tested and evaluated by CSA Group for U.S. application in accordance with standard ANSI Z83.7 CSA 2.14 and are listed and approved as direct gas fired circulating construction heaters with intended use for primarily for the temporary heating of buildings under construction, alteration, or repair. As an alternative use, all models of these heaters, including -3 and -4 unaccessorized versions, for use in the U.S., have been tested and evaluated by the L.B.White Co., LLC. for the heating of agricultural animal confinement buildings and have been used in such applications for many years.

Models 346-3, 346-4, 348-3, and 348-4 are also tested and evaluated by CSA Group in accordance with the Canadian Gas Association Standard for Gas Fired ers, CAN1-2.20-M85 4 and are listed and approved for Canada as direct gas fired circulating heaters for the heating of agricultural animal confinement buildings.

WE CANNOT ANTICIPATE EVERY USE WHICH MAY BE MADE OF OUR HEATERS. CHECK WITH YOUR LOCAL FIRE SAFETY AUTHORITY, YOUR LOCAL FUEL GAS SUPPLIER, OR THE L.B. WHITE COMPANY IF YOU HAVE QUESTIONS REGARDING APPLICATIONS.

* Specific models



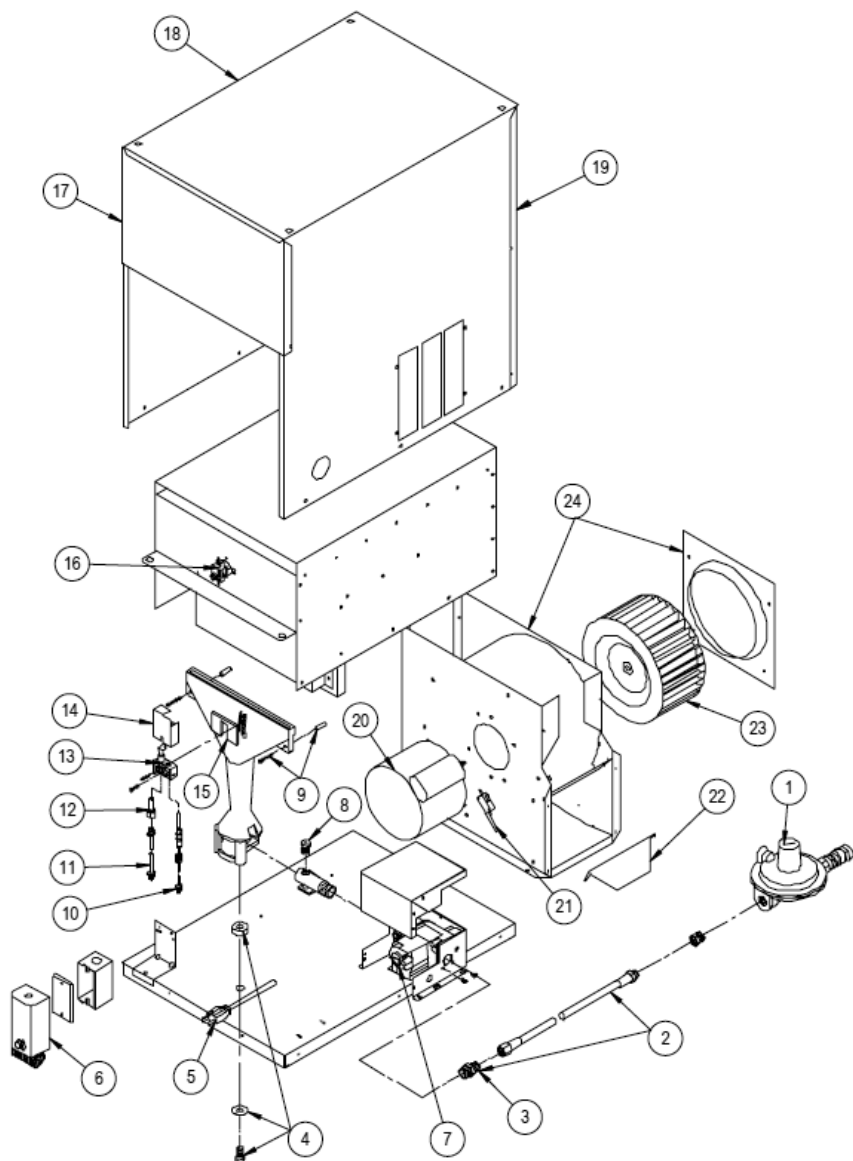
Congratulations!

You have purchased the finest circulating heater available. Your new L.B. White heater incorporates the benefits from the most experienced manufacturer of heating products using state-of-the-art technology.

Specifications

		346	348	377	379
Fuel Type		Propane	Natural	Propane	Natural
Maximum Input (Btuh / kW)		60,000 / 17.58		115,000 / 33.7	
Burner Manifold Pressure (Inches W.C. / kPa)		10.0 / 2.49	4.0 / 1.0	10.0 / 2.49	4.0 / 1.0
Gas Supply Pressure Acceptable at the Inlet of the Heater for Purpose of Input Adjustment (Inches W.C. / kPa)	MAX	13.5/3.36			
	MIN	11.0 / 2.74	7.0 / 1.74	11.0 / 2.74	7.0 / 1.74
Fuel Consumption (per hour)	Propane (lbs./kg)	2.78 / 1.26	N/A	5.33 / 2.42	N/A
	Natural Gas (cu. ft / m ³)	N/A	60 / 1.70	N/A	115 / 3.26
Motor Characteristics H.P / Watts / RPM		Sleeve Bearing 1 / 12 / 60 / 1700		Ball Bearing 1/5 H.P. / 149 / 1100	
Electrical Supply (Volts / Hz / Phase)		120 / 60 / 1			
Amp Draw	Starting	3.0		6.0	
	Continous Operation	1.0		1.6	
Dimensions (Inches / cm) L x W x H		21 1/4 x 11 1/4 x 24 / 54 x 28.6 x 61		23 x 16 1/2 x 24 / 58.4 x 42 x 61	
Minimum Safe Distances From Nearest Combustible Materials	TOP	6 in. / 15.2 cm			
	SIDES	6 in. / 15.2 cm			
	BACK	6 in. / 15.2 cm			
	BLOWER OUTLET	4 ft. / 1.22 m		6 ft. / 1.83 m	
	GAS SUPPLY	Propane Gas - U.S: 6 ft. / 1.83 m, Canada: 10 ft. / 3.05 m Natural Gas - N/A			
Ventilation Air Required to Support Combustion (cfm / cubic meters per hour)		250 / 425		600 / 1019	

Service Parts Identification Schematic Classic 115



Parts List - Classic 115

Item	Description	Part Number
1	Regulator, Single stage , propane gas	500-09911
	Regulator, Second stage, propane gas	500-06553
	Regulator, Second stage, natural gas	500-07087
2	Hose, 3/8 in. ID x 10 ft. (3.05m)with adapter	550-21883
3	Adapter, hose, 1/2 NPT x 5/8-18	572517
4	Bolt, washer, spacer	500-25866
5	Power cord	570081
6	Thermostat	500-05568
7	Gas control valve, Propane gas	521615
	Natural gas	521616
8	Burner orifice, Propane gas	573706
	Natural gas	573705
9	Burner mounting hardware (2 each screws and spacers)	570211
10	Thermocouple, 21 in. (53 cm)	503497
11	Pilot tube with fittings	500-22204
12	Pilot orifice, Propane gas	502689
	Natural gas	570065
13	Pilot assembly with orifice, Propane gas	502729
	Natural gas	573699
14	Pilot shield with mounting stud and screw	573184
15	Gasket	570461
16	High limit switch	505566
17	Case panel, motor end	570463
18	Case assembly	500-05628
19	Case panel, opposite motor	570505
20	Motor, 1/5 HP., 1100 RPM	520554
21	Air proving switch	502680
22	Sail (flapper)	573704
23	Fan wheel	570304
24	Fan housing assembly, with sail flapper, air proving switch, and inlet ring	500-05572