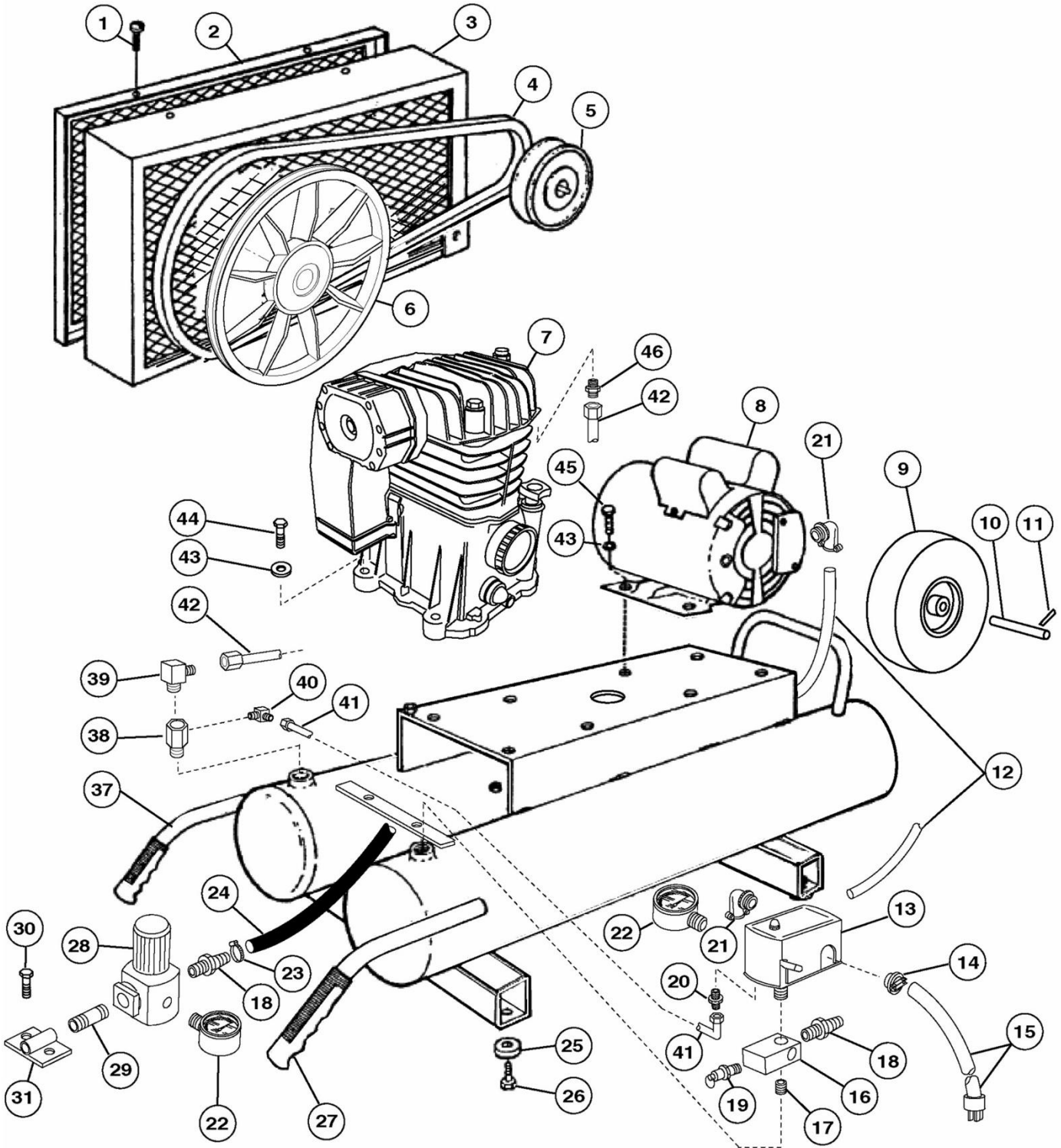
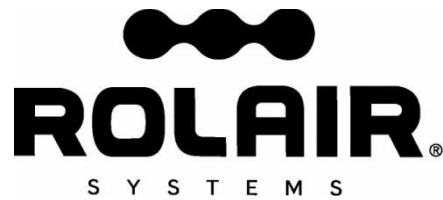


ROLAIR
SCHEMATIC FOR
5715MK103





**PARTS LIST FOR MODEL
5715MK103**

Schem #	Description	Part #	Qty.
1	10#-1/2" Sheet Metal Screw (current)	MIS10092	5
	Self-Tapping Screw (prior production)	MIS10093C	5
2	Belt Guard Cover	NLA	1
3	Belt Guard (Base & Cover)	BG566ASY	1
4	Belt	BT4L480/A46	1
5	Pulley	PUAK59X0875	1
6	Flywheel	FC013160010	1
7	Complete Pump with Flywheel	PMP12MK103	1
8	Motor	MTRC101	1
9	Foam-Filled Flat-Free Tire	WLS50	1
10	Axle	181	1
11	Cotter Pin	181A	2
12	Electric Cord – 40"	173A	1
13	Pressure Switch	PS2020M	1
14	Box Connector – Straight	161	1
15	Power Cord with Plug	170	1
16	Aluminum Block	154	1
17	Nipple	BLNP0500X1500	1
18	Hose Barb	BRCP0375X0250H12	2
19	Safety Valve	SRV0250A165	1
20	Pressure Switch Relief Valve	PS2020RV	1
21	Box Connector - 90°	161A	2
22	Gauge	GA0250200GC	2
23	Clamp	177C	2
24	Rubber Hose – 3/8"	178A	.85
25	Rubber Pad	219	4
26	Screw	MIS10008	4
27	Handle Grip	328	2
28	Regulator	REG0375	1
29	Nipple	BLNP0375X	1
30	Bolt	MIS10022	2
31	Accessory Bracket	210	1
37	Tank Assembly	TNKASYMK103E	1
	Tank Drain **	132BV	2
38	Check Valve	CV4X4T-A175	1
	Safety Valve (1/8")*	SRV0125A175	1
39	Brass Elbow	BREL0500X050039	1
40	Brass Elbow	BREL0250X012539	1
41	Tubing – 1/4"	178D	1.1
	Compression Nut – 1/4"	BRNT0250	2
	Compression Ring – 1/4"	BRRG0250	2
	Compression Insert – 1/4"	BRSLO250	2
42	Delivery Tube with Fittings	MK103EDISCH TB	1
43	Flat Washer – 1/4"	MIS10102	4
	Lock Washer – 5/16"	MIS10099	4
44	Bolt – 5/16" x 1-1/2"	MIS10027	4
45	Bolt – 5/16" x 7/8"	MIS10022	4
46	Brass Straight	145DST	1

As an added safety measure, belt driven models built after August 1, 2015 include additional safety valve on check valve.

*Safety valve not shown but may be ordered separately.

**Tank drain not shown but may be ordered separately.

