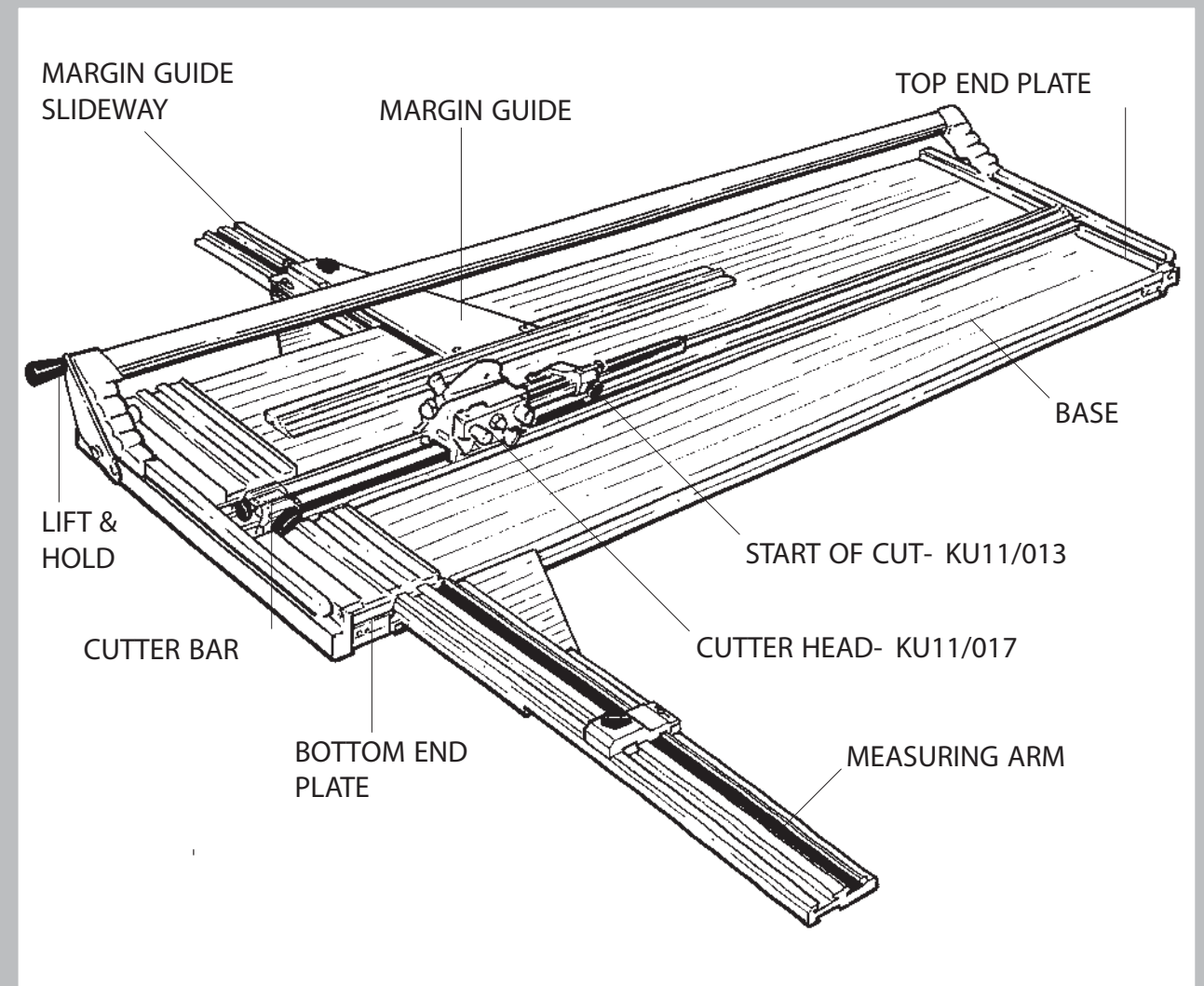
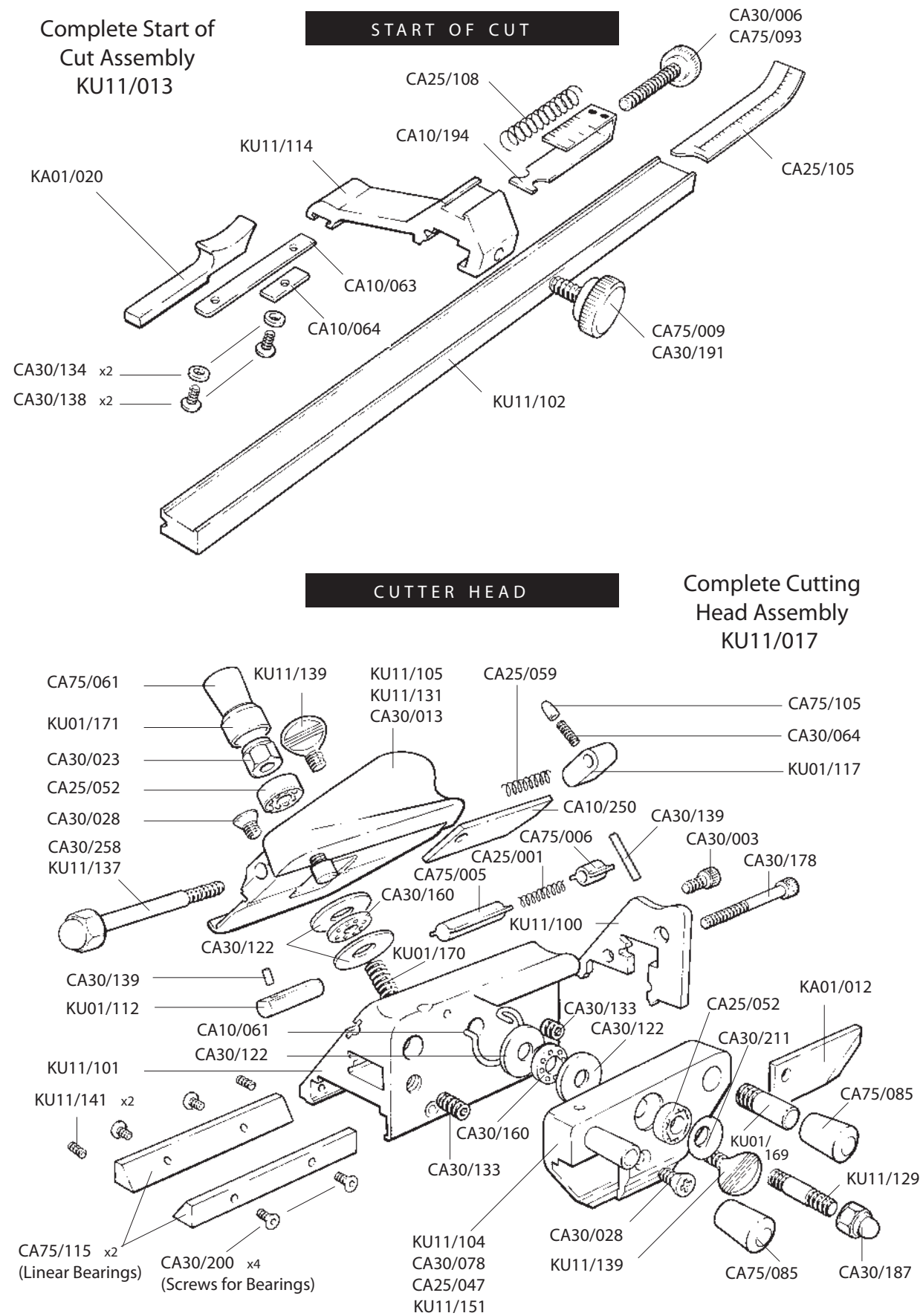


ULTIMAT GOLD



ULTIMAT GOLD

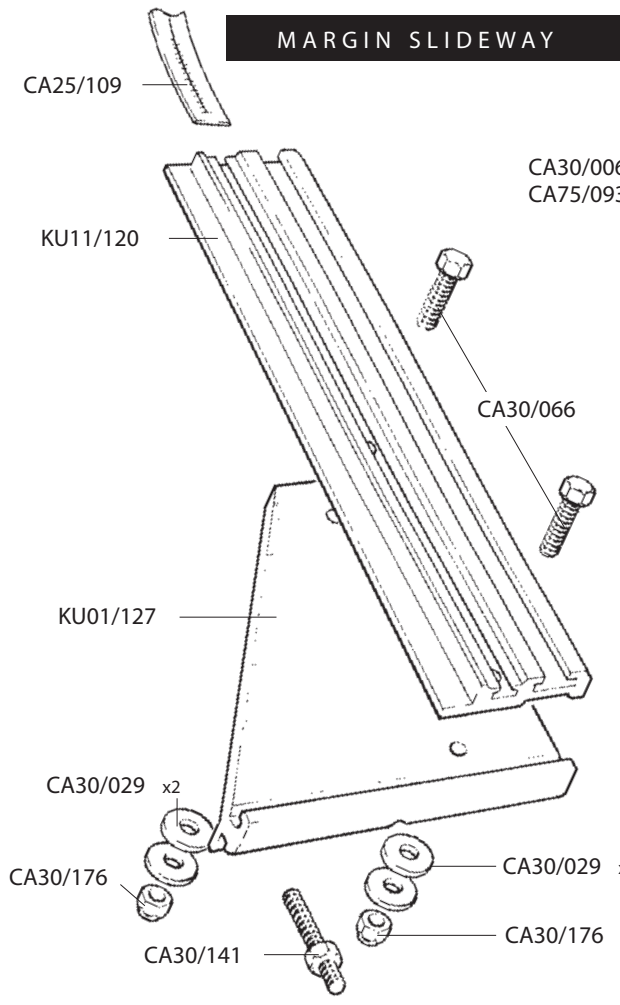
SPARE PART REFERENCE



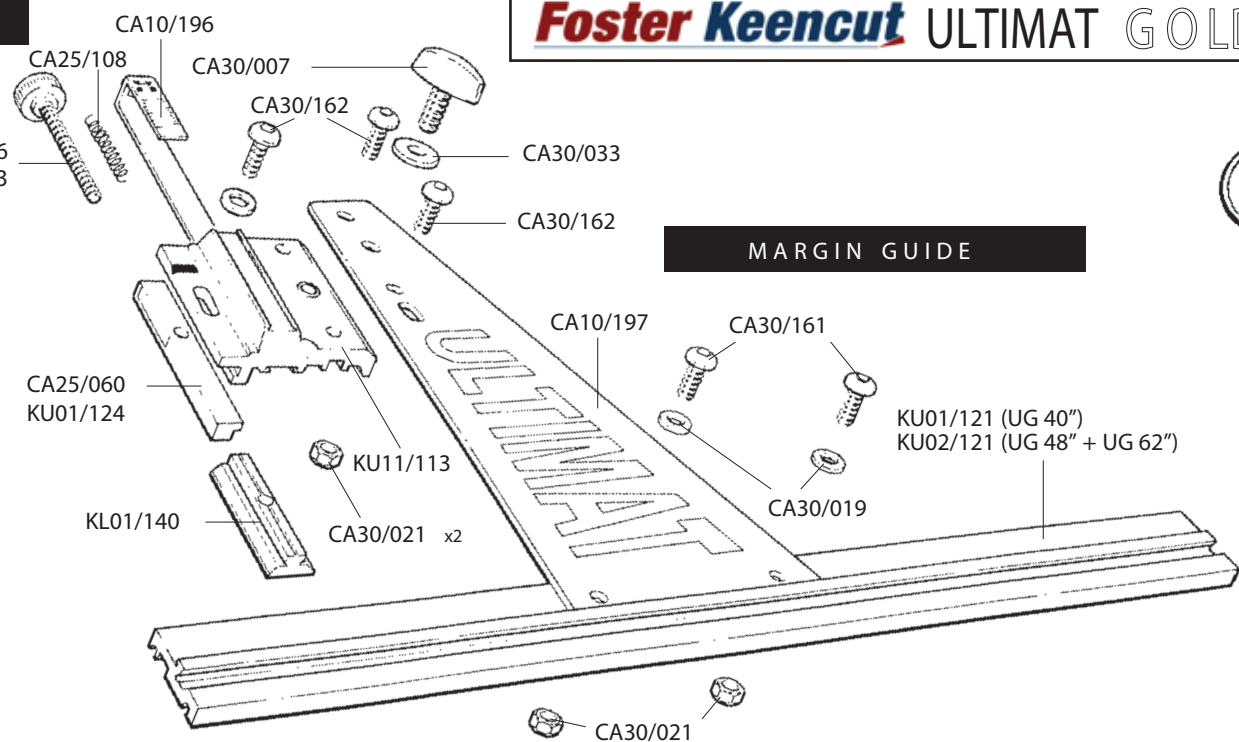
Foster Keencut ULTIMAT GOLD

N.B. Fixings blocks for Top End Plate are of type KU01/132 and not KU01/153.

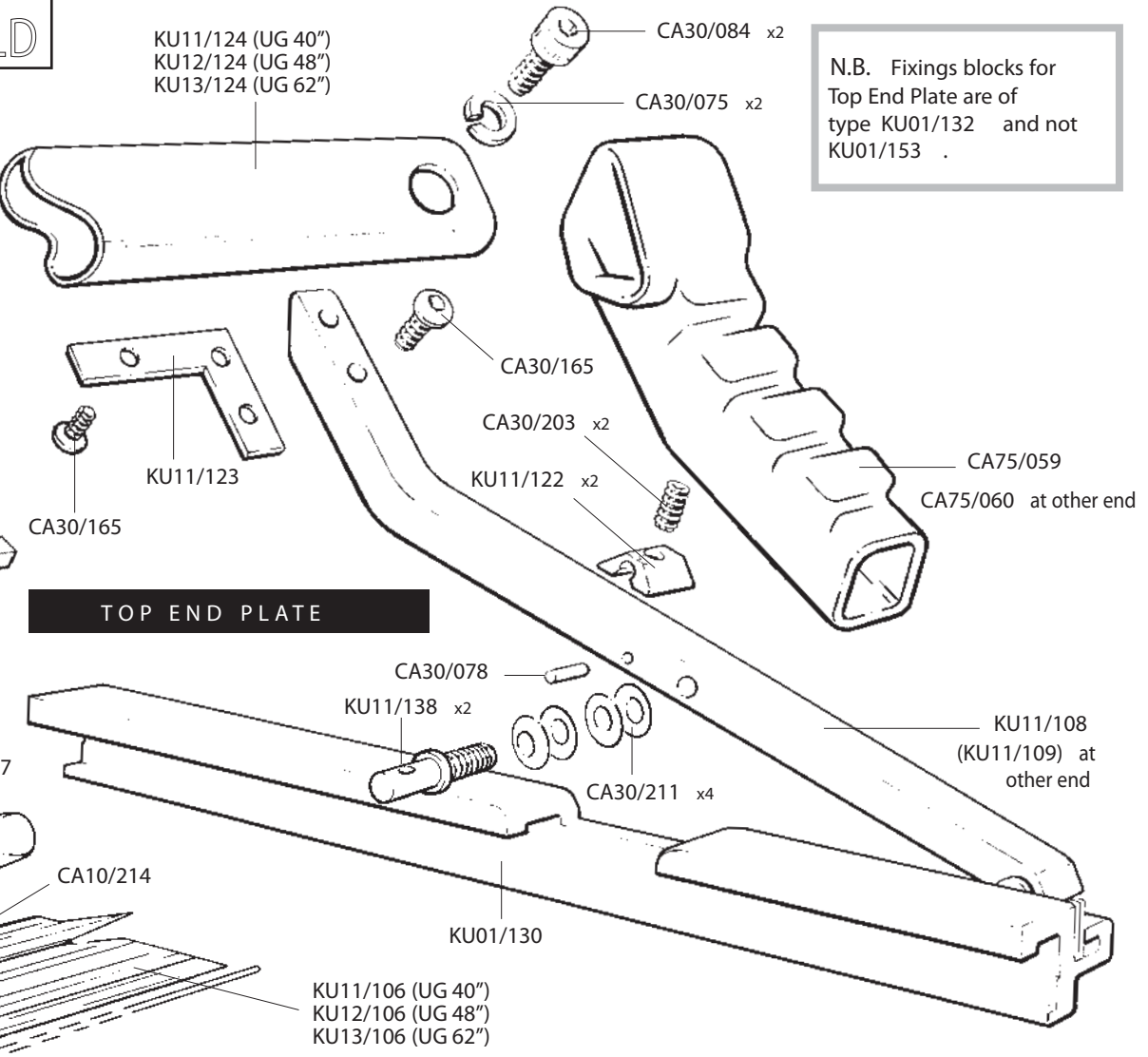
MARGIN SLIDEWAY



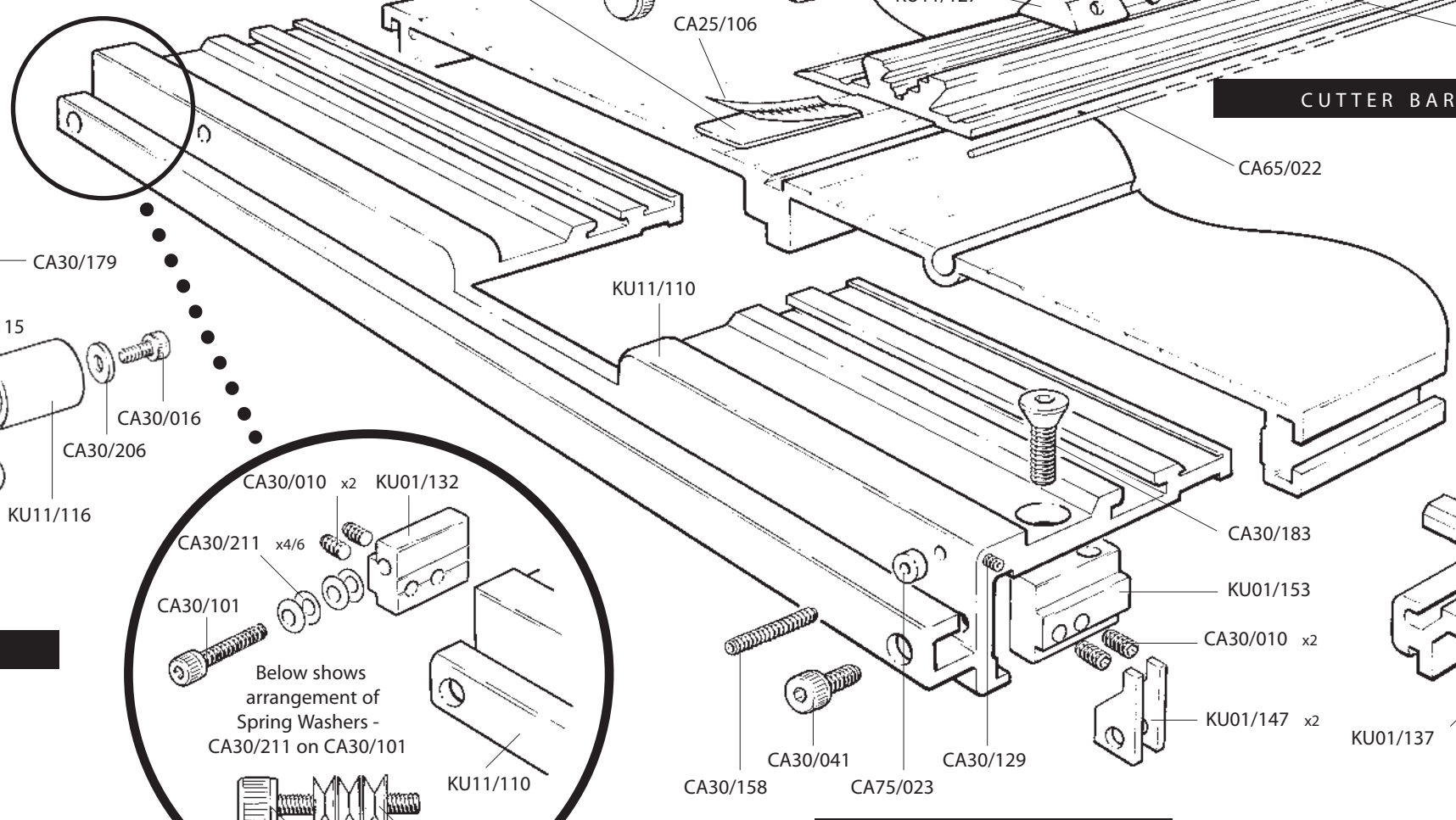
MARGIN GUIDE



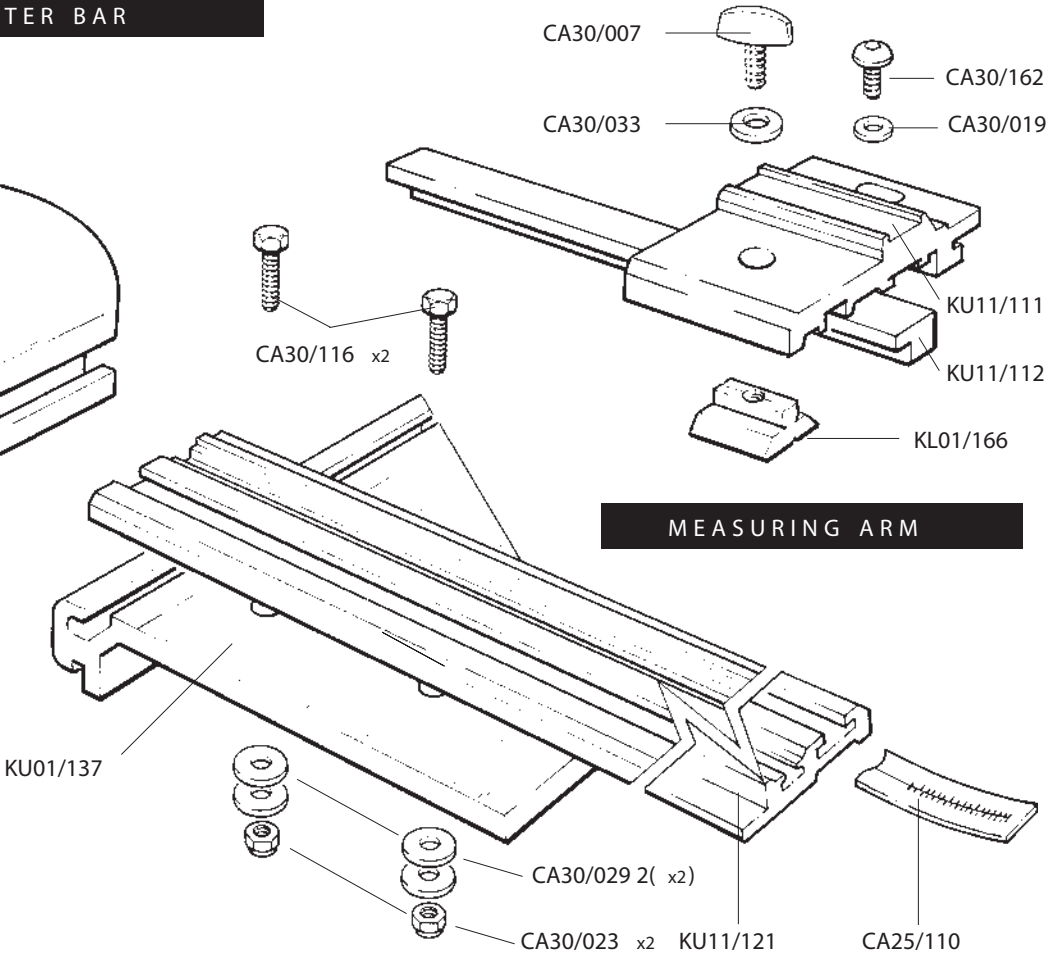
TOP END PLATE



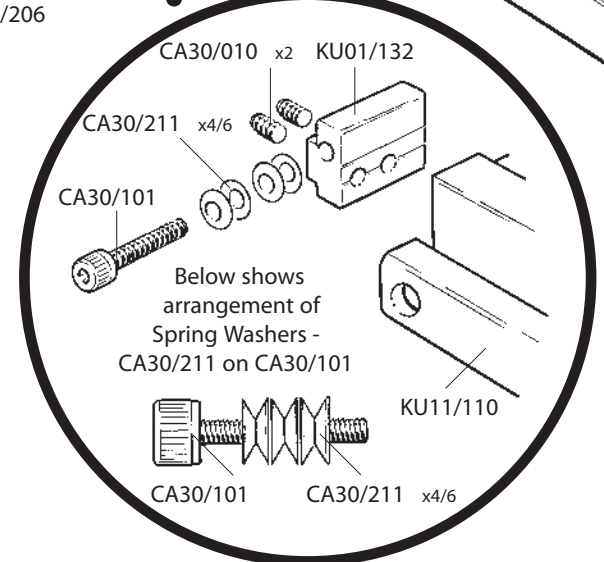
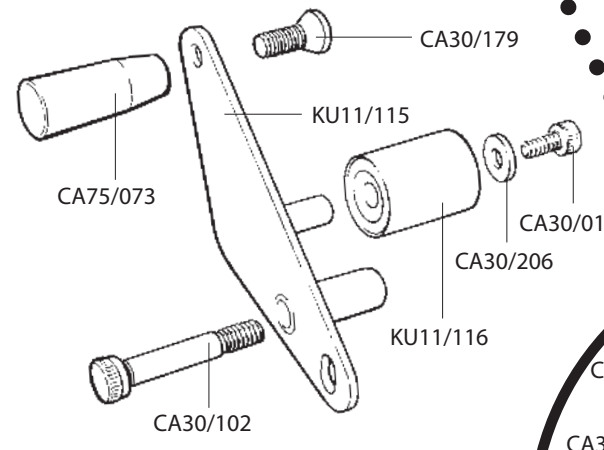
CUTTER BAR



MEASURING ARM



LIFT & HOLD



BOTTOM END PLATE

