

PARTS MANUAL



***WHITEMAN* SERIES**

MODELS

JWN24HTCSL

JWN24HSCSL

**RIDE-ON POWER TROWELS
(HONDA GX690RTAF GASOLINE ENGINE)**

S/N VB0206952 AND ABOVE

Revision #6 (02/28/20)

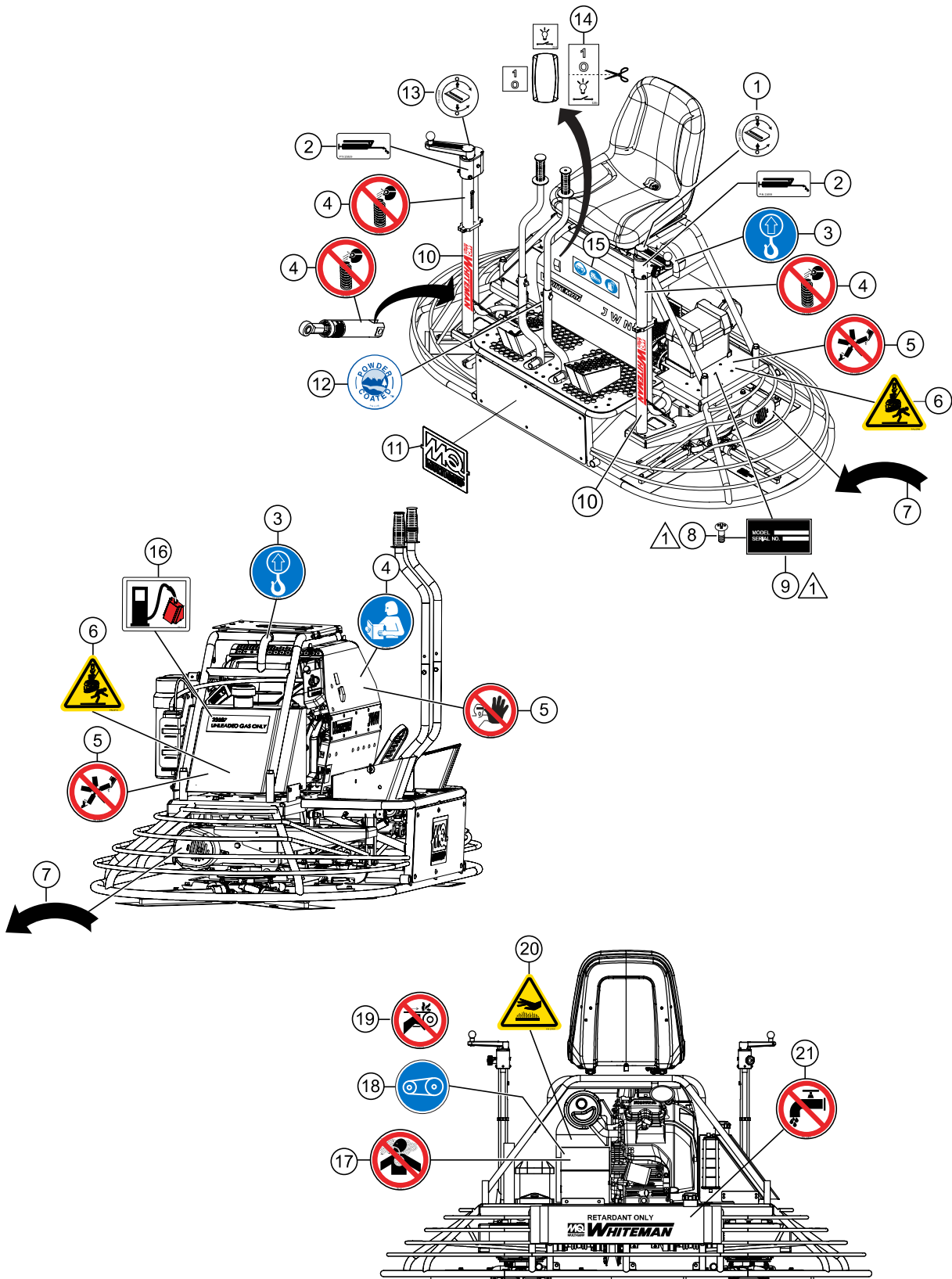
To find the latest revision of this publication or associated operation manual, visit our website at: www.multiquip.com



THIS MANUAL MUST ACCOMPANY THE EQUIPMENT AT ALL TIMES.

PN: 23625

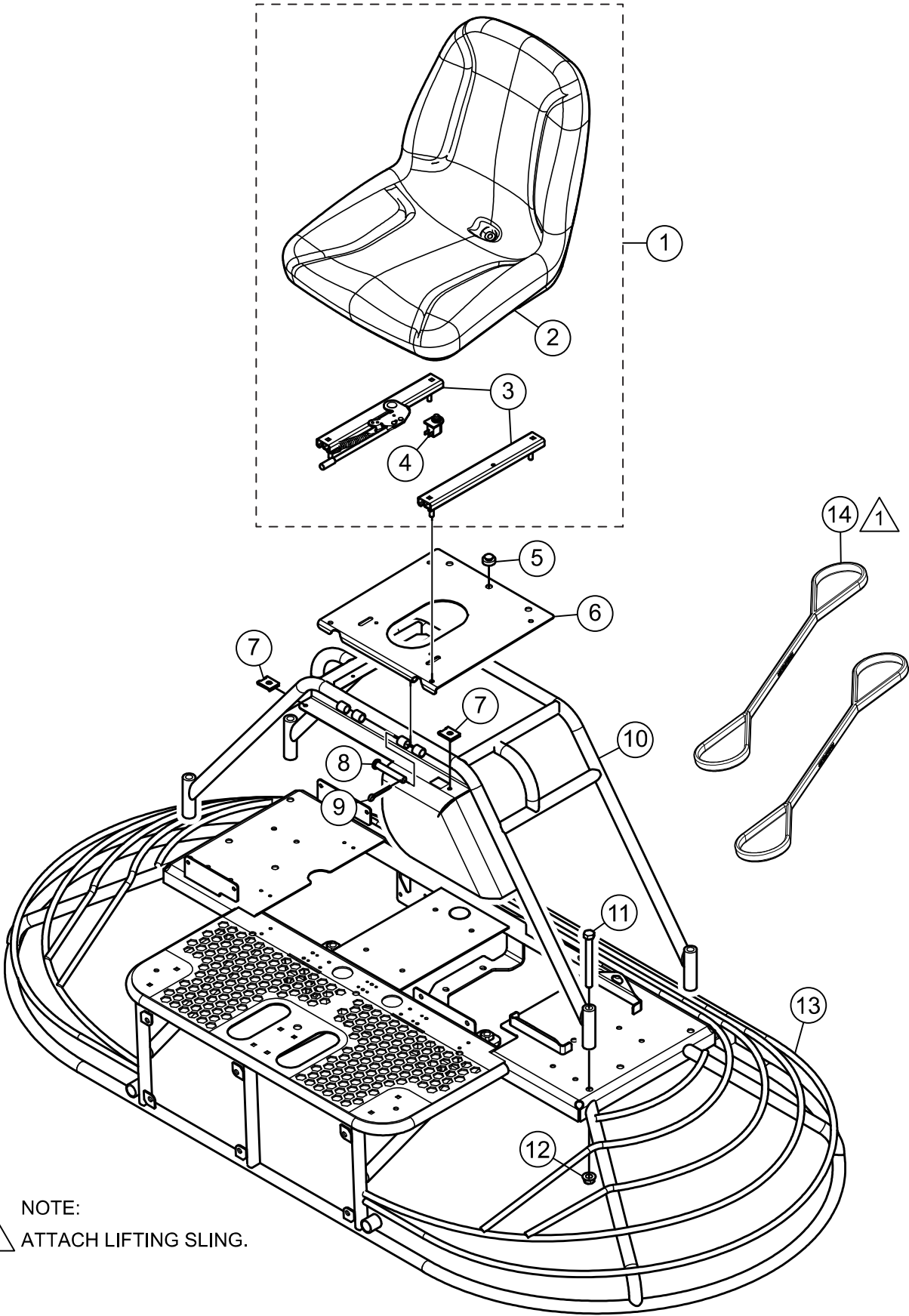
NAMEPLATE AND DECALS ASSY.



NAMEPLATE AND DECALS ASSY.

| <u>NO.</u> | <u>PART NO.</u> | <u>PART NAME</u> | <u>QTY.</u> | <u>REMARKS</u> |
|------------|-----------------|--|-------------|-------------------------|
| 1 | 23807 | DECAL ISO, PITCH, LH 2.00" DIA | 1 | |
| 2 | 23809 | DECAL ISO, LUBRICATION POINT | 2 | |
| 3 | 23805 | DECAL ISO, LIFT LOCATION 1.00" DIA | 2 | |
| 4 | 23804 | DECAL ISO, DO NOT DISASSEMBLE, CYLINDER | 3 | |
| 5 | 23698 | DECAL ISO, ROTATING BLADE HAZARD | 2 | |
| 6 | 23700 | DECAL ISO, LIFTING / CRUSH HAZARD | 2 | |
| 7 | 25678 | DECAL ISO, BLADE ROTATION CCW | 2 | |
| 8 | 4014 | SCREW,#2, 3/16 P-K TYPE U DRIVE | 2 | |
| 9 | | SERIAL PLATE | 1..... | CONTACTMQPARTS DEPT. |
| 10 | 21589 | DECAL, WHITEMAN SERIES 4.76 X 21.82, WHT | 2 | |
| 11 | 23235 | BADGE, FOOT PLATFORM | 1 | |
| 12 | 13118 | DECAL, POWDER COATED | 1 | |
| 13 | 23806 | DECAL ISO, PITCH, RH 2.00" DIA | 1 | |
| 14 | 32554 | DECAL, LIGHT SWITCH | 1 | |
| 15 | 36099 | DECAL, ISO PROTECTIVE CLOTHING | 1 | |
| 16 | 23812 | DECAL ISO, FUEL GASOLINE 3.0" X 2.45" | 1 | |
| 17 | 23810 | DECAL ISO, INHALATION HAZARD, 2" | 1 | |
| 18 | 32553 | DECAL, BELT DRIVE | 1 | |
| 19 | 23704 | DECAL ISO, GUARD WARNING | 1 | |
| 20 | 23808 | DECAL ISO, HOT SURFACE HAZARD | 1 | |
| 21 | 23811 | DECAL ISO, NO WATER WARNING, 2.0" DIA | 1 | |

SEAT/FRAME ASSY.

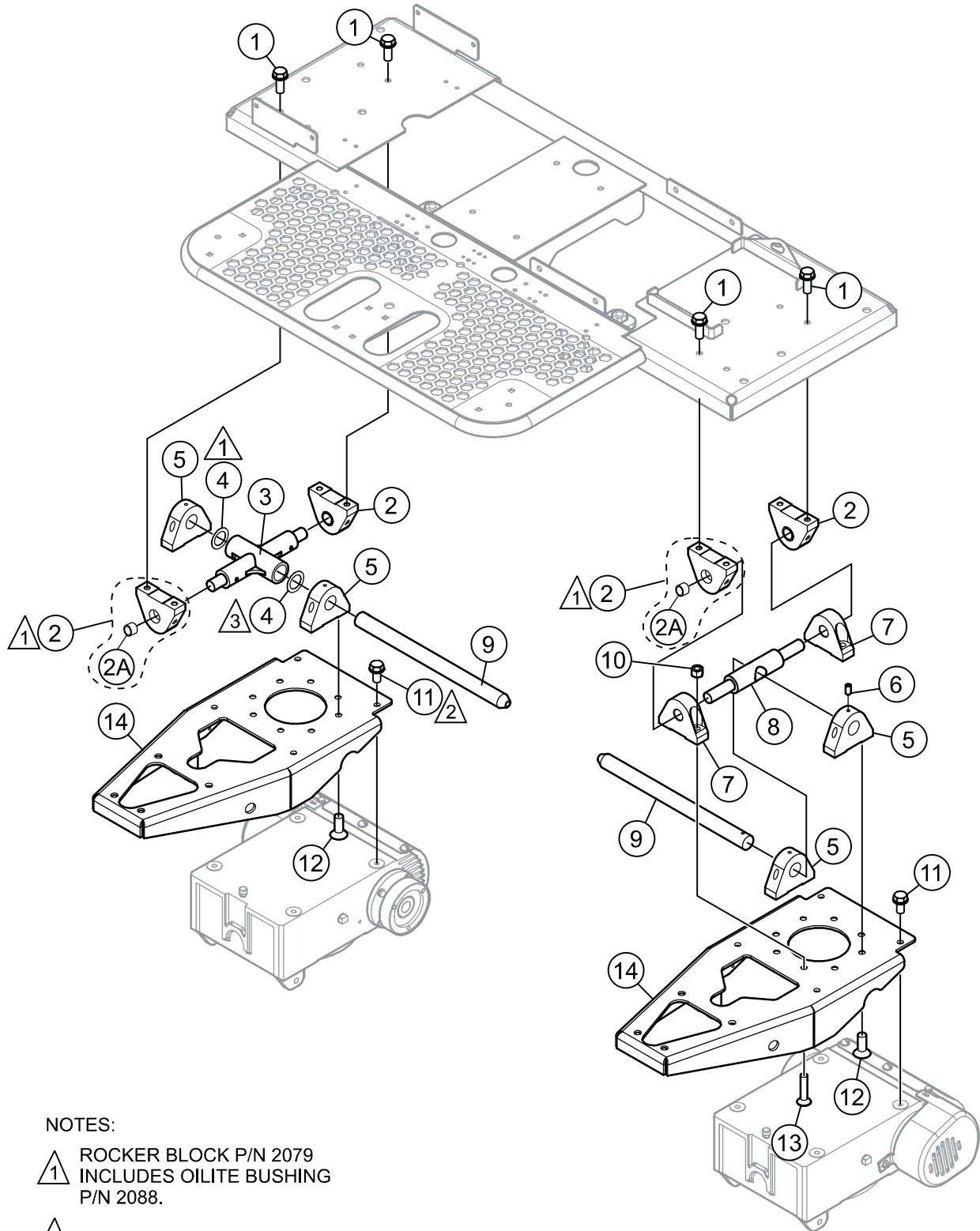


NOTE:
1 ATTACH LIFTING SLING.

SEAT/FRAME ASSY.

| <u>NO.</u> | <u>PART NO.</u> | <u>PART NAME</u> | <u>QTY.</u> | <u>REMARKS</u> |
|------------|-----------------|--|-------------|--------------------|
| 1 | 21861 | SEAT,MICHIGAN-ADJUSTABLE W/O ARMS1..... | 1 | INCLUDES ITEMS W/# |
| 2# | 21860 | SEAT,BASIC-MICHIGAN V-2805 SERIES | 1 | |
| 3# | 21865 | ADJUSTER KIT,SEAT-MICHIGAN V-2805 | 1 | |
| 4# | 21870 | KILL SWITCH,SEAT-DELTA SYS 6440-62 | 1 | |
| 5 | 21597 | BUMPER,STEM 1" DIA x .5 S DIA x 19/64TK | 3 | |
| 6 | 23522 | SEAT PLATE W/A - JWN | 1 | |
| 7 | 21894 | CLIP, FAST LEAD-SOUTHCO 17-10027-17 | 2 | |
| 8 | 8081 | PIN, CLEVIS 1/2 X 2-3/4" | 2 | |
| 9 | 0183 | PIN, COTTER 1/8Dx1-1/4" | 2 | |
| 10 | 23527 | SEAT FRAME W/A, JWN | 1 | |
| 11 | 913222 | SCREW, HHC 1/2-13 x 4-3/4" | 4 | |
| 12 | 26328 | NUT, FLANGED 1/2-13 SERRATED PLTD | 4 | |
| 13 | 23501 | FRAME, JWN , COMPLETE W/A | 1 | |
| 14 | 23165 | SLING, LIFTING | 2 | |

PIVOT ASSY.



NOTES:

- ▲ 1 ROCKER BLOCK P/N 2079
INCLUDES OILITE BUSHING
P/N 2088.
- ▲ 2 BOLT TO GEARBOX
- ▲ 3 USE SHIMS AS REQUIRED TO
MINIMIZE LATERAL MOVEMENT
OF PIVOT ARMS.

PIVOT ASSY.

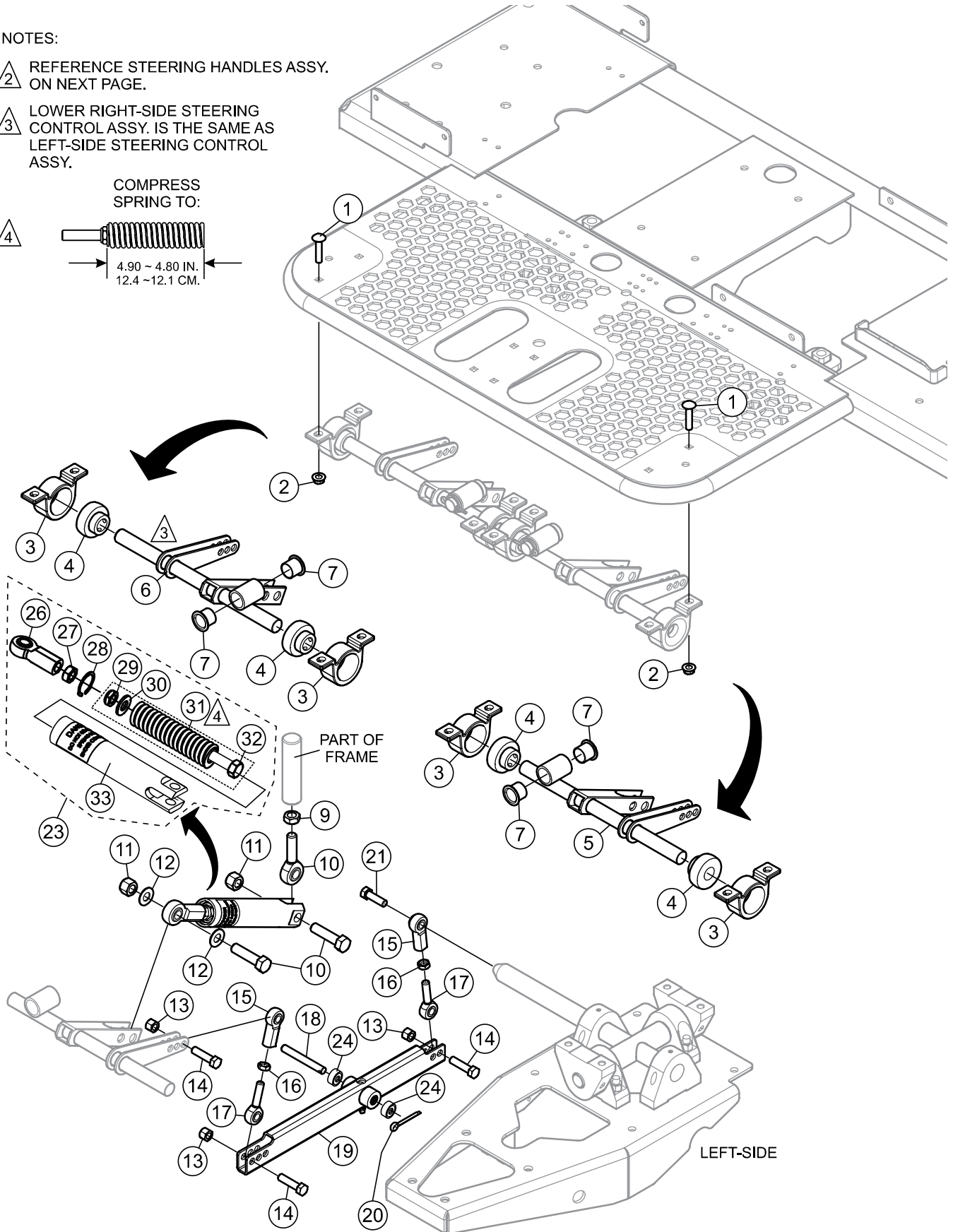
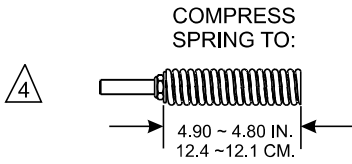
| <u>NO.</u> | <u>PART NO.</u> | <u>PART NAME</u> | <u>QTY.</u> | <u>REMARKS</u> |
|------------|-----------------|---|-------------|-------------------|
| 1 | 22106 | SCREW, HHFS 3/8-16 x 1.25" ZINC | 8 | |
| 2 | 2079 | ROCKER BLOCK WITH BUSHING..... | 4..... | INCLUDES ITEM W/# |
| 2A# | 2088 | BUSHING, FLANGE .875 DIA X.75 ID X 1.00 | 4 | |
| 3 | 2044 | ARM, PIVOT J TROWELS RH | 1 | |
| 4 | 11772 | SHIM, STEEL .63xØ1.500ODxØ1.000ID | A/R | |
| 4 | 11773 | SHIM, STEEL .031xØ1.500ODxØ1.000ID | A/R | |
| 5 | 20040 | ROCKER BLOCK, 1.0 HOLE | 4 | |
| 6 | 10138 | SCREW, SHS 1/4-20 X 1/2", N.P. | 4 | |
| 7 | 10973 | ROCKER BLOCK W/FAN | 2 | |
| 8 | 2076 | TUBE, PIVOT | 1 | |
| 9 | 2824 | TUBE, CONTROL PIVOT 1" | 2 | |
| 10 | 10133 | NUT, NYLOC 3/8-16 | 4 | |
| 11 | 38274 | SCREW, HHFS 3/8-16 X .75" ZINC | 8 | |
| 12 | 1394 | SCREW, FHSC 3/8-16 X 1" | 8 | |
| 13 | 1481 | SCREW, FHSC 3/8-16 X 1-3/4" PLATED | 4 | |
| 14 | 23475 | MOUNT, JWN GBOX | 2 | |

STEERING CONTROL ASSY.

NOTES:

② REFERENCE STEERING HANDLES ASSY. ON NEXT PAGE.

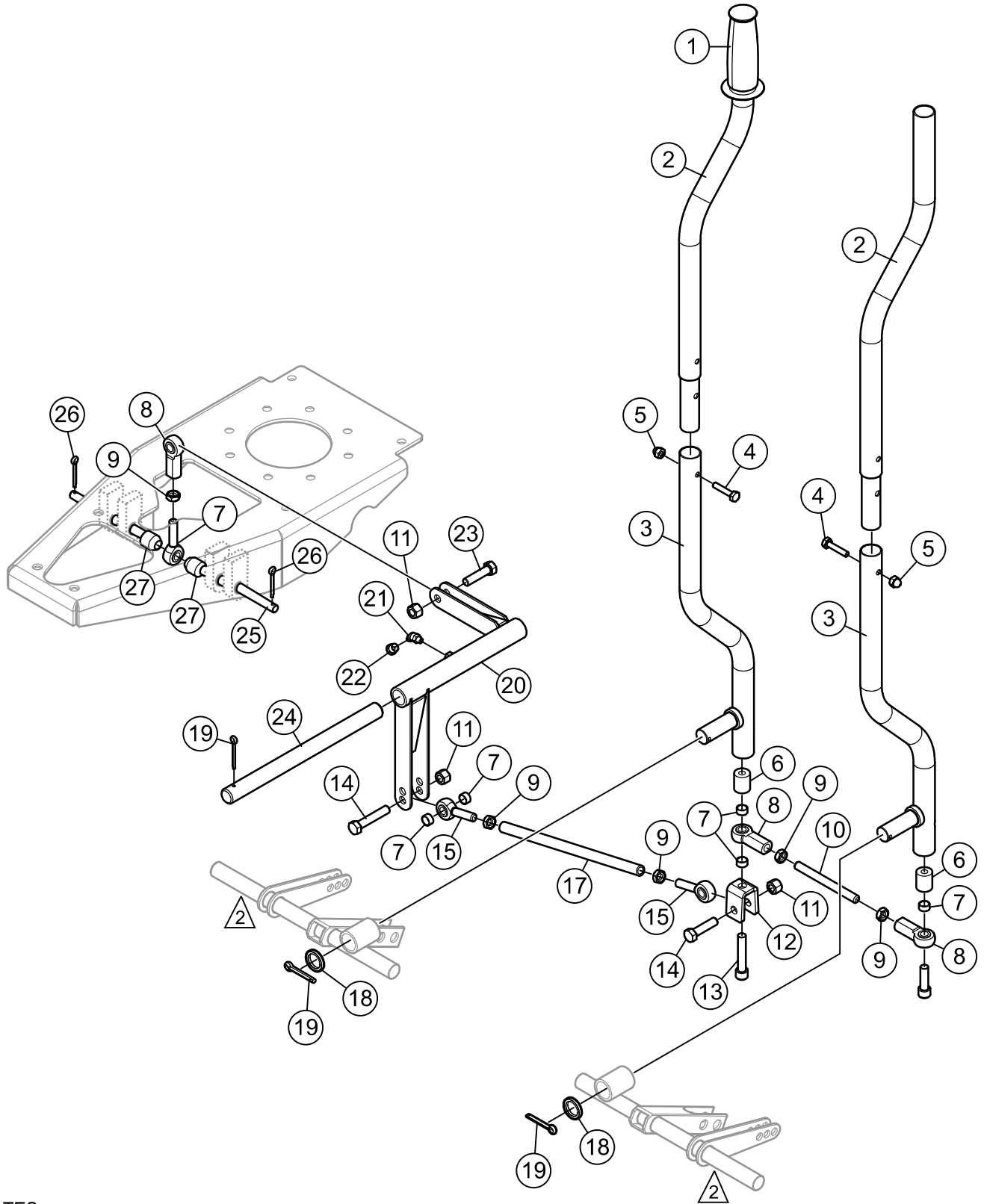
③ LOWER RIGHT-SIDE STEERING CONTROL ASSY. IS THE SAME AS LEFT-SIDE STEERING CONTROL ASSY.



STEERING CONTROL ASSY.

| <u>NO.</u> | <u>PART NO.</u> | <u>PART NAME</u> | <u>QTY.</u> | <u>REMARKS</u> |
|------------|-----------------|---|-------------|--------------------|
| 1# | 07046-011 | BOLT, CARRIAGE 5/16-18 X 1.5" gr5, ZINC | 8 | |
| 2# | 49071 | NUT, FLANGED 5/16-18 SERRATED PLTD | 8 | |
| 3# | 11138 | BEARING, SB-204-12, HOUSING | 4 | |
| 4# | 11149 | BEARING, SB-204-12, INSERT | 4 | |
| 5# | 12650 | STEERING CONTROL, LEFT SIDE | 1 | |
| 6# | 12651 | STEERING CONTROL, RIGHT SIDE | 1 | |
| 7# | 12408 | BUSHING, GARLOCK 12FDU12 | 4 | |
| 9# | 11146 | NUT, HEX JAM 1/2-20 PLATED | 2 | |
| 10# | 11142 | ROD END, 1/2-20 MALE RH | 2 | |
| 11# | 10176 | NUT, NYLOC 1/2-13 | 4 | |
| 12# | 9094 | SPACER, STEERING ASSIST CLEVIS | 4 | |
| 13# | 10133 | NUT, NYLOC 3/8-16 | 6 | |
| 14# | 1284 | SCREW, HHC 3/8-16 X 1-1/2" | 6 | |
| 15# | 2064 | ROD END, 3/8-24 FEMAL RH | 4 | |
| 16# | 2199 | NUT, HEX JAM 3/8-24 | 4 | |
| 17# | 2063 | ROD END, 3/8-24 MALE RH | 4 | |
| 18# | 11275 | 3/8 DIA X 3 DIAMOND CHAIN 100-2 | 2 | |
| 19# | 11071 | LEVER, STEERING CONTROL | 2 | |
| 20# | 6014 B | PIN, COTTER 3/32DX1.00 | 2 | |
| 21# | 1023 | SCREW, HHC 3/8-16 X 1-1/4" GR 5 | 2 | |
| 23# | 12625 | STEERING ASSIST, ASSY..... | 1 | INCLUDES ITEMS W/% |
| 24# | 11072 | BEARING, TORRINGTON JT69 | 4 | |
| 25# | 7798 | STEERING ASSY..... | 1 | INCLUDES ITEMS W/# |
| 26% | 11143 | ROD END, 1/2-20 FEMALE RH | 1 | |
| 27% | 11146 | NUT, HEX JAM 1/2-20 PLATED | 1 | |
| 28% | 12197 | SNAP RING Ø1.25 | 1 | |
| 29% | 10087 | NUT, NYLOC, JAM 1/2-13 | 1 | |
| 30% | 0447 | WASHER, FLAT 1/2 SAE | 1 | |
| 31% | 12624 | SPRING, STEERING ASSIST | 1 | |
| 32% | 12198 | SCREW, HHC 1/2-20 X 7" TAP | 1 | |
| 33% | 12195 | HOUSING, STEERING ASSIST SPRING | 1 | |

STEERING HANDLES ASSY.



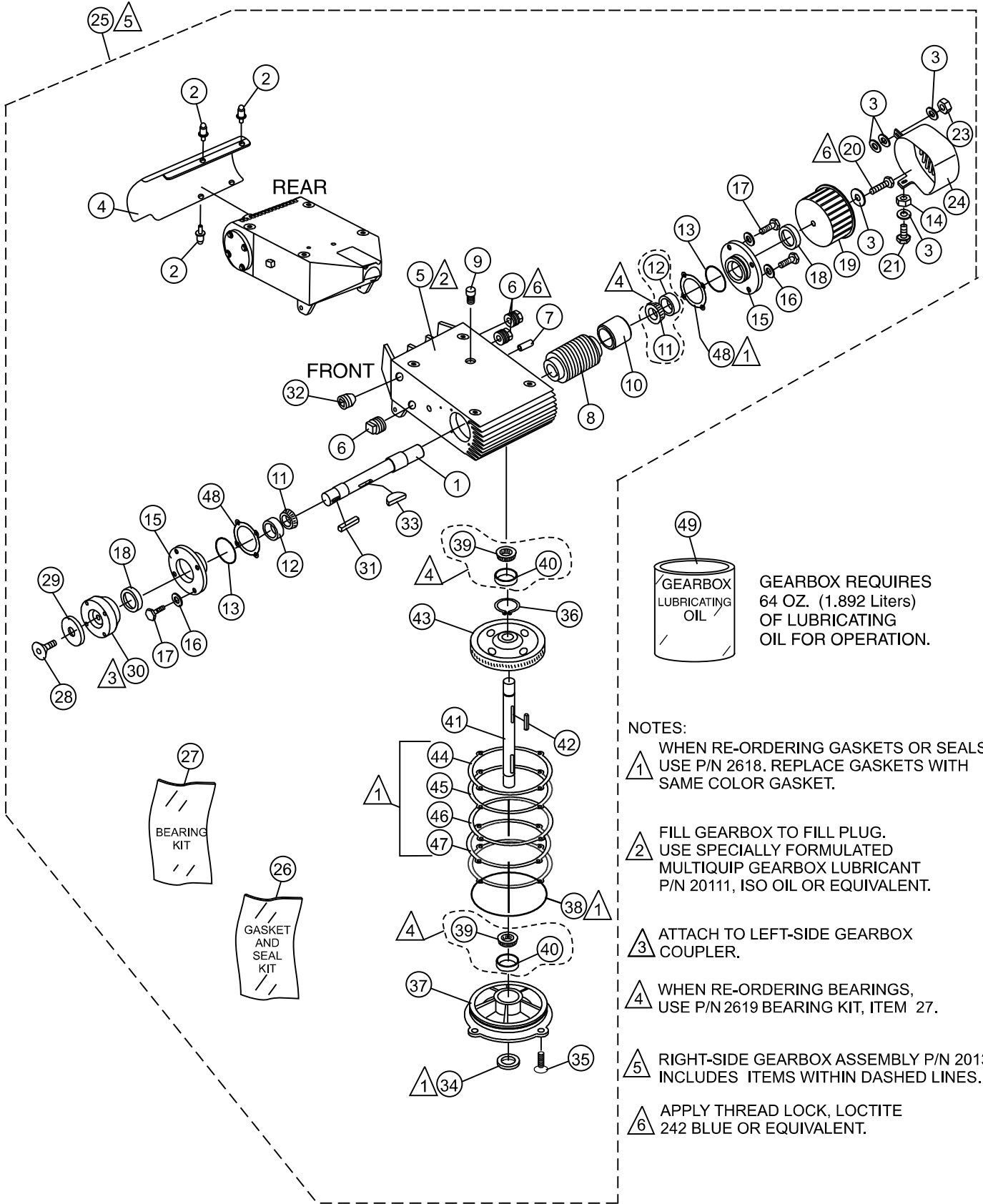
NOTES:

 REFERENCE STEERING CONTROL ASSY. ON PREVIOUS PAGE., ITEMS 5 AND 6.

STEERING HANDLES ASSY.

| <u>NO.</u> | <u>PART NO.</u> | <u>PART NAME</u> | <u>QTY.</u> | <u>REMARKS</u> |
|------------|-----------------|--|-------------|----------------|
| 1# | 20478 | GRIP, HANDLE | 1 | |
| 2# | 10130 | HANDLE TUBE | 2 | |
| 3# | 11079 | HANDLE, LOWER | 2 | |
| 4# | 0424 | SCREW, HHC 1/4-20 X 1-1/4" | 2 | |
| 5# | 2197 | NUT, ACORN 1/4-20 | 2 | |
| 6# | 11080 | PLUG, LOWER HANDLE | 2 | |
| 7# | 2196 | SPACER, 0.5 X 0.402 X .25L | 5 | |
| 8# | 2064 | ROD END, 3/8-24 FEMAL RH | 3 | |
| 9# | 2199 | NUT, HEX JAM 3/8-24 | 5 | |
| 10# | 11498 | THREADPIECE, CONN. STEERING | 1 | |
| 11# | 10133 | NUT, NYLOC 3/8-16 | 3 | |
| 12# | 11303 | BRACKET, L/R MOTION ROD | 1 | |
| 13# | 11089 | SCREW, SHC 3/8-16 X 2" PLATED | 1 | |
| 14# | 1665 | SCREW, HHC 3/8-16 X 2" | 2 | |
| 15# | 2063 | ROD END, 3/8-24 MALE RH | 3 | |
| 17# | 11513 | ROD, L/R, LINKAGE | 1 | |
| 18# | 11265 | WASHER,STEERING HANDLE 1.0 OD X .75 ID X .14 | 2 | |
| 19# | 2219 | PIN, COTTER 1/8Dx1-1/2 | 3 | |
| 20# | 11441 | RIGHT-LEFT MOTION CONTROL ARM | 1 | |
| 21# | 5228 | FITTING, GREASE ZERK 45 DEG 1/4-28 | 1 | |
| 22# | 1162 A | CAP, GREASE ZERK, #2 YELLOW | 1 | |
| 23# | 1665 | SCREW, HHC 3/8-16 X 2 | 1 | |
| 24# | 11497 | SHAFT, L/R, MOTION LEVER | 1 | |
| 25# | 3550 | PIN, 3/8 DIA X 5-7/8 LONG | 1 | |
| 26# | 6014 B | PIN, COTTER 3/32DX1.00 | 2 | |
| 27# | 2188 | SPACER | 2 | |

GEARBOX ASSY. (RIGHT)



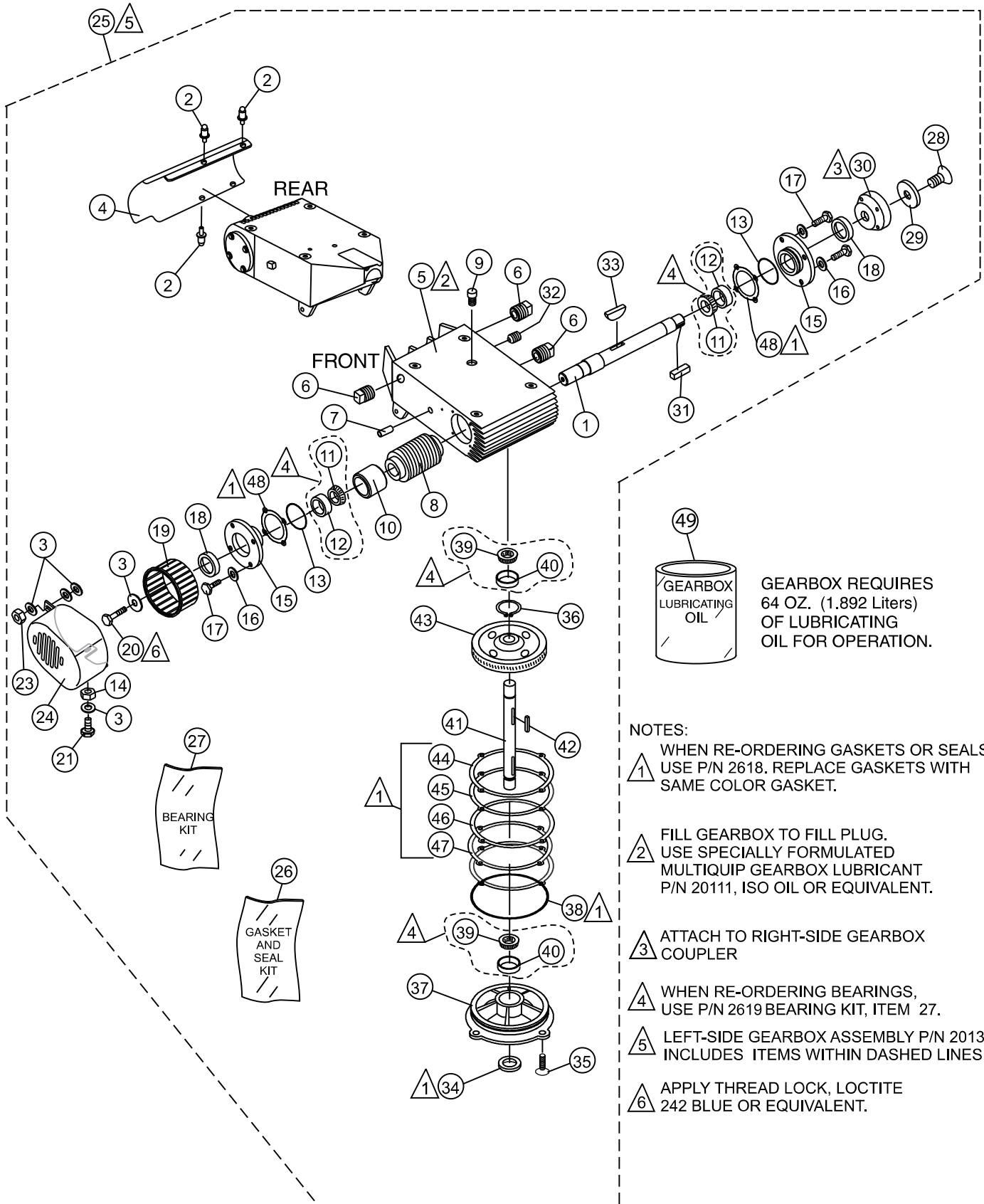
GEARBOX REQUIRES
64 OZ. (1.892 Liters)
OF LUBRICATING
OIL FOR OPERATION.

- NOTES:
- 1 WHEN RE-ORDERING GASKETS OR SEALS USE P/N 2618. REPLACE GASKETS WITH SAME COLOR GASKET.
 - 2 FILL GEARBOX TO FILL PLUG. USE SPECIALLY FORMULATED MULTIQUIP GEARBOX LUBRICANT P/N 20111, ISO OIL OR EQUIVALENT.
 - 3 ATTACH TO LEFT-SIDE GEARBOX COUPLER.
 - 4 WHEN RE-ORDERING BEARINGS, USE P/N 2619 BEARING KIT, ITEM 27.
 - 5 RIGHT-SIDE GEARBOX ASSEMBLY P/N 20134 INCLUDES ITEMS WITHIN DASHED LINES.
 - 6 APPLY THREAD LOCK, LOCTITE 242 BLUE OR EQUIVALENT.

GEARBOX ASSY. (RIGHT)

| <u>NO.</u> | <u>PART NO.</u> | <u>PART NAME</u> | <u>QTY.</u> | <u>REMARKS</u> |
|------------|-----------------|---------------------------------------|-------------|--------------------|
| 1% | 20065 | SHAFT, GEARBOX INPUT W/FAN | 1 | |
| 2% | 21992 | RIVET, POP BH .187 X .188-.250 AL/STL | 4 | |
| 3% | 0948 | WASHER, FLAT, 1/4 SAE | 6 | |
| 4% | 12981 | SHROUD, GB FIN COVER, RIGHT | 1 | |
| 5% | 20353 | GEAR BOX 1-1/8 SHAFT | 1 | |
| 6% | 0121A | FITTING, PLUG 3/8MP SQUARE HEAD | 3 | |
| 7% | 10989 | STUD, N10- 32 X 3/4 | 1 | |
| 8% | 12908 | RIGHT HAND WORM | 1 | |
| 9% | 1132 | VENT, AIR | 1 | |
| 10% | 12583 | SPACER, X 11D X 1.168L | 1 | |
| 11%+ | 9045 | BEARING, CONE TIMKEN #1986 | 1 | |
| 12%+ | 0232A | BEARING, CUP, TIMKEN #1932 | 1 | |
| 13%# | 2309 | O-RING, 2-13/16" VINTON | 1 | |
| 14% | 0937 | NUT, HEX #10- 32 | 1 | |
| 15% | 2307 | FLANGE, COUNTERSHAFT | 1 | |
| 16% | 10031 | WASHER, EXT SHKP 1/4 | 8 | |
| 17% | 2295 | SCREW, HHC 1/4- 20 X 7/8" | 8 | |
| 18% | 12909 | SEAL, OIL, NATIONAL #471689V | 1 | |
| 19% | 10921 | FAN, RIGHT SIDE | 1 | |
| 20% | 0424 | SCREW, HHC 1/4- 20 X 1-1/4" | 1 | |
| 21% | 19477 | SCREW, HHC, WASHER 10- 32 X 1/2" | 1 | |
| 23% | 10019 | NUT, NYLOC 10- 32 | 1 | |
| 24% | 10894 | RIGHT SIDE FAN COVER | 1 | |
| 25% | 20134 | GEARBOX ASSY., RS W/FAN | 1 | INCLUDES ITEMS W/% |
| 26% | 2618 | GASKET AND SEAL KIT | 1 | INCLUDES ITEMS W/# |
| 27% | 2619 | BEARING KIT | 1 | |
| 28% | 1313 | SCREW, FHSC 3/8- 24 X 3/4" PLAIN | 1 | |
| 29% | 9120 | RETAINER, DRIVEN PULLEY | 1 | |
| 30% | 2048 | COUPLER- 7/8" ID | 1 | |
| 31% | 2323 | KEY, 1/4 X 1/4 X 13/16" | 1 | |
| 32% | 10450 | SCREW, SHS 10- 32 X 1/4" | 1 | |
| 33% | 1139 | KEY, WOODRUFF #21 HARDENED | 1 | |
| 34%# | 9041 | SEAL, 1-1/8 DIA NAT # 471763V | 1 | |
| 35% | 1146 | SCREW, FHS 5/16- 18 X 1" NYLOC | 4 | |
| 36% | 1138 | RING, SNAP TRUARC #5100- 112 | 1 | |
| 37% | 9036 | COVER, GEARBOX 1-1/8 SHAFT | 1 | |
| 38%# | 9038 | O-RING, A- 264 VITON | 1 | |
| 39% | 0232 | BEARING, CONE TIMKEN #15126 | 2 | |
| 40% | 0232A | BEARING, CUP, TIMKEN #1932 | 2 | |
| 41% | 20013 | SHAFT, OUTPUT HD GEARBOX | 1 | |
| 42% | 9180 | KEY, 5/16 X 2-1/4" HRDND | 1 | |
| 43% | 9181 | GEAR, WORM RH. HD | 1 | |
| 44%# | | GASKET, RED | 1 | SOLD AS KIT ONLY |
| 45%# | | GASKET, GREEN | 1 | SOLD AS KIT ONLY |
| 46%# | | GASKET, BLUE | 1 | SOLD AS KIT ONLY |
| 47%# | | GASKET, BROWN | 1 | SOLD AS KIT ONLY |
| 48%# | | GASKET, YELLOW | 1 | SOLD AS KIT ONLY |
| 49 | 20111 | OIL, MOBIL SHC 634 ISO VG640, 24 OZ. | AR | |

GEARBOX ASSY. (LEFT)



49
 GEARBOX LUBRICATING OIL
 GEARBOX REQUIRES 64 OZ. (1.892 Liters) OF LUBRICATING OIL FOR OPERATION.

- NOTES:
- 1 WHEN RE-ORDERING GASKETS OR SEALS USE P/N 2618. REPLACE GASKETS WITH SAME COLOR GASKET.
 - 2 FILL GEARBOX TO FILL PLUG. USE SPECIALLY FORMULATED MULTIQIP GEARBOX LUBRICANT P/N 20111, ISO OIL OR EQUIVALENT.
 - 3 ATTACH TO RIGHT-SIDE GEARBOX COUPLER
 - 4 WHEN RE-ORDERING BEARINGS, USE P/N 2619 BEARING KIT, ITEM 27.
 - 5 LEFT-SIDE GEARBOX ASSEMBLY P/N 20133 INCLUDES ITEMS WITHIN DASHED LINES.
 - 6 APPLY THREAD LOCK, LOCTITE 242 BLUE OR EQUIVALENT.

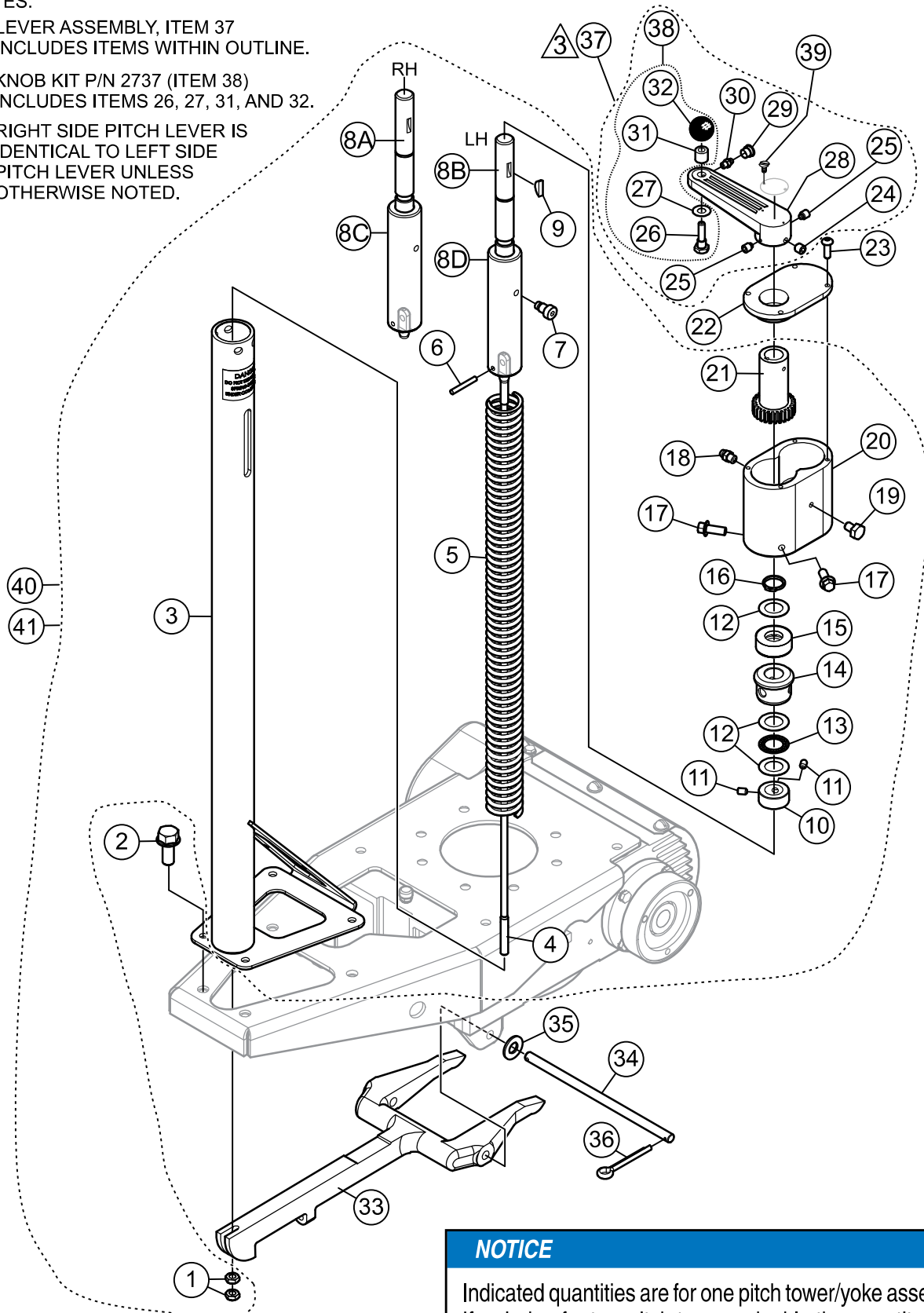
GEARBOX ASSY. (LEFT)

| <u>NO.</u> | <u>PART NO.</u> | <u>PART NAME</u> | <u>QTY.</u> | <u>REMARKS</u> |
|------------|-----------------|---------------------------------------|-------------|--------------------|
| 1% | 20065 | SHAFT, GEARBOX INPUT W/FAN | 1 | |
| 2% | 21992 | RIVET, POP BH .187 X .188-.250 AL/STL | 4 | |
| 3% | 0948 | WASHER, FLAT, 1/4 SAE | 6 | |
| 4% | 12982 | SHROUD, GB FIN COVER, LEFT | 1 | |
| 5% | 20353 | GEAR BOX 1-1/8 SHAFT | 1 | |
| 6% | 0121A | FITTING, PLUG 3/8MP SQUARE HEAD | 3 | |
| 7% | 10989 | STUD, N10- 32 X 3/4 | 1 | |
| 8% | 12907 | LEFT HAND WORM | 1 | |
| 9% | 1132 | VENT, AIR | 1 | |
| 10% | 12583 | SPACER, X 11D X 1.168L | 1 | |
| 11%+ | 9045 | BEARING, CONE TIMKEN #1986 | 1 | |
| 12%+ | 0232A | BEARING, CUP, TIMKEN #1932 | 1 | |
| 13%# | 2309 | O-RING, 2-13/16" VINTON | 1 | |
| 14% | 0937 | NUT, HEX #10- 32 | 1 | |
| 15% | 2307 | FLANGE, COUNTERSHAFT | 1 | |
| 16% | 10031 | WASHER, EXT SHKP 1/4 | 4 | |
| 17% | 2295 | SCREW, HHC 1/4- 20 X 7/8" | 4 | |
| 18% | 12909 | SEAL, OIL, NATIONAL #471689V | 1 | |
| 19% | 10922 | FAN, LEFT SIDE | 1 | |
| 20% | 0424 | SCREW, HHC 1/4- 20 X 1-1/4" | 1 | |
| 21% | 19477 | SCREW, HHC, WASHER 10- 32 X 1/2" | 1 | |
| 23% | 10019 | NUT, NYLOC 10- 32 | 1 | |
| 24% | 10893 | LEFT SIDE FAN COVER | 1 | |
| 25 | 20133 | GEARBOX ASSY., LS W/FAN | 1 | INCLUDES ITEMS W/% |
| 26% | 2618 | GASKET AND SEAL KIT | 1 | INCLUDES ITEMS W/# |
| 27% | 2619 | BEARING KIT | 1 | |
| 28% | 1313 | SCREW, FHSC 3/8- 24 X 3/4 PLAIN | 1 | |
| 29% | 9120 | RETAINER, DRIVEN PULLEY | 1 | |
| 30% | 2048 | COUPLER- 7/8" ID | 1 | |
| 31% | 2323 | KEY, 1/4 X 1/4 X 13/16" | 1 | |
| 32% | 10450 | SCREW, SHS 10- 32 X 1/4" | 1 | |
| 33% | 1139 | KEY, WOODRUFF #21 HARDENED | 1 | |
| 34%# | 9041 | SEAL, 1-1/8 DIA NAT # 471763V | 1 | |
| 35% | 1146 | SCREW, FHS 5/16- 18 X 1" NYLOC | 4 | |
| 36% | 1138 | RING, SNAP TRUARC #5100- 112 | 1 | |
| 37% | 9036 | COVER, GEARBOX 1-1/8 SHAFT | 1 | |
| 38%# | 9038 | O-RING, A- 264 VITON | 1 | |
| 39% | 0232 | BEARING, CONE TIMKEN #15126 | 2 | |
| 40% | 0232A | BEARING, CUP, TIMKEN #1932 | 2 | |
| 41% | 20013 | SHAFT, OUTPUT HD GEARBOX | 1 | |
| 42% | 9180 | KEY, 5/16 X 2-1/4" HRDND | 1 | |
| 43% | 2001 | GEAR, WORM LH. HD | 1 | |
| 44%# | | GASKET, RED | 1 | SOLD AS KIT ONLY |
| 45%# | | GASKET, GREEN | 1 | SOLD AS KIT ONLY |
| 46%# | | GASKET, BLUE | 1 | SOLD AS KIT ONLY |
| 47%# | | GASKET, BROWN | 1 | SOLD AS KIT ONLY |
| 48%# | | GASKET, YELLOW | 2 | SOLD AS KIT ONLY |
| 49 | 20111 | OIL, MOBIL SHC 634 ISO VG640, 24 OZ. | AR | |

PITCH CONTROL TOWER/YOKE ASSY.

NOTES:

- 1 LEVER ASSEMBLY, ITEM 37
INCLUDES ITEMS WITHIN OUTLINE.
- 2 KNOB KIT P/N 2737 (ITEM 38)
INCLUDES ITEMS 26, 27, 31, AND 32.
- 3 RIGHT SIDE PITCH LEVER IS
IDENTICAL TO LEFT SIDE
PITCH LEVER UNLESS
OTHERWISE NOTED.



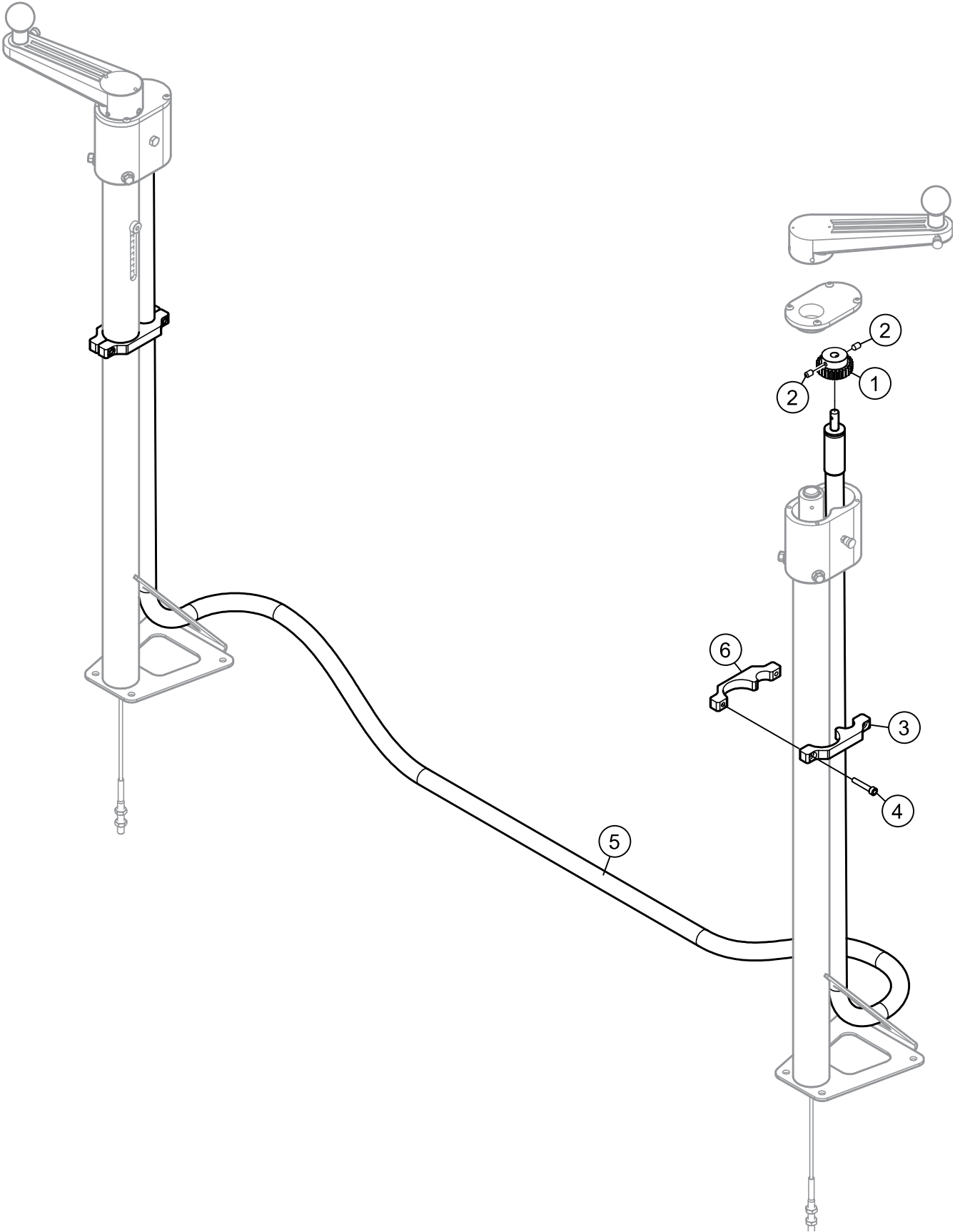
NOTICE

Indicated quantities are for one pitch tower/yoke assembly.
If ordering for two pitch towers, double the quantity.

PITCH CONTROL TOWER/YOKE ASSY.

| <u>NO.</u> | <u>PART NO.</u> | <u>PART NAME</u> | <u>QTY.</u> | <u>REMARKS</u> |
|------------|-----------------|---|-------------|---------------------|
| 1 | 1116 | NUT, BRASS JAM 5/16-18 | 2 | |
| 2 | 36720 | SCREW, HHFS 5/16-18 x 3/4" GR5 | 4 | |
| 3 | 23582 | TOWER W/A, PITCH CONTROL , RH | 1..... | RIGHT |
| 3 | 23581 | TOWER W/A, PITCH CONTROL, LH | 1..... | LEFT |
| 4 | 2008 | CABLE, TWIN PITCH, 25.63" | 1 | |
| 5 | 2156 | SPRING, COMPRESSION, 15/16" ODX20-5/8" LEN. | 1 | |
| 6 | 10723 | PIN, SPIRAL 3/16 X 1-3/8 HD | 1 | |
| 7 | 10382 | BOLT, SHOULDER, 3/8 X 3/8 LONG | 1 | |
| 8A | 10510 | SHAFT, PITCH CONTROL, RH | 1 | |
| 8B | 10511 | SHAFT, PITCH CONTROL, LH | 1 | |
| 8C | 10721 | BLOCK, SLIDE RH PITCH CONTROL TUBE | 1 | |
| 8D | 10722 | BLOCK, SLIDE LH PITCH CONTROL TUBE | 1 | |
| 9 | 0126 | KEY, WOODRUFF #606 3/16 x 3/4 (#9) | 1 | |
| 10% | 2367 | COLLAR, SET .75 X 1.25 X .56, 2 | 1 | |
| 11 | | SET SCREW | 2..... | INCLUDED SITE MW/% |
| 12 | 2170 | BEARING, RACE, TORR. #TRA1220 | 3 | |
| 13 | 2169 | BEARING, THRUST, TORR. #NTA1220 | 1 | |
| 14 | 1612 | BEARING TROWEL CONTROL | 1 | |
| 15 | 1604 | BEARING, BALL THRUST E5 AETNA | 1 | |
| 16 | 10512 | RING, SNAP, TRUARC 5160-75 | 1 | |
| 17 | 22021 | SCREW, HEX FLANGE M8-1.25 x 20MM GR10.9 | 2 | |
| 18 | 2621 | FITTING, GREASE ZERK STR 1/4-28 | 1 | |
| 19 | 20476 | SCREW, HHC 1/4-28 X 3/8" | 1 | |
| 20 | 23037 | HOUSING, PITCH CONTROL GEARBOX | 1 | |
| 21 | 1529 | GEAR, DRIVE PITCH CONTROL | 1 | |
| 22 | 2649 | COVER, PITCH CONTROL HOUSING RDRS | 1 | |
| 23 | 9191 | SCREW, BHSC M5-0.8X16MM, ZP | 4 | |
| 24\$ | 0185 | SCREW, SHS 3/8-16 X 3/8", NO PLATE | 1 | |
| 25\$ | 1528 | SCREW, SHS 1/4-20 X 5/16" H.D.P | 2 | |
| 26# | 1616 | BOLT, SHOULDER .50 DIA. x .469 x 3/8-16 | 1 | |
| 27# | 1733 | WASHER, 1/2 X 1/32, AN960-816L | 1 | |
| 28\$ | 1615 | LEVER, TROWEL ADJ. | 1 | |
| 29\$ | 1162 A | CAP, GREASE ZERK, #2 YELLOW | 1 | |
| 30\$ | 2621 | FITTING, GREASE ZERK STR 1/4-28 | 1 | |
| 31# | 3231 | SPACER, .75 DIA. x .406 DIA. x .688 | 1 | |
| 32# | 4403 | KNOB, ROUND 1-3/8 DIA. x 3/8-16 BLACK | 1 | |
| 33 | 9027 | YOKE ARM | 1 | |
| 34 | 9028 | PIN, YOKE | 1 | |
| 35 | 10136 | WASHER, FLAT SAE 3/8 | 2 | |
| 36 | 0683 | PIN, COTTER 3/32D X 3/4" | 2 | |
| 37 | 1617 | LEVER, TROWEL ASSY..... | 2..... | INCLUDES ITEMS W/\$ |
| 38\$ | 2737 | KIT, KNOB | 1..... | INCLUDES ITEMS W/# |
| 39 | 4014 | SCREW, 2-3/16 P-K TYPE U DRIVE | 2 | |
| 40 | 23579 | TOWER ASSY., PITCH CONTROL, LH | 1 | |
| 41 | 23580 | TOWER ASSY., PITCH CONTROL, RH | 1 | |

PITCH CONTROL DRIVE CABLE ASSY.



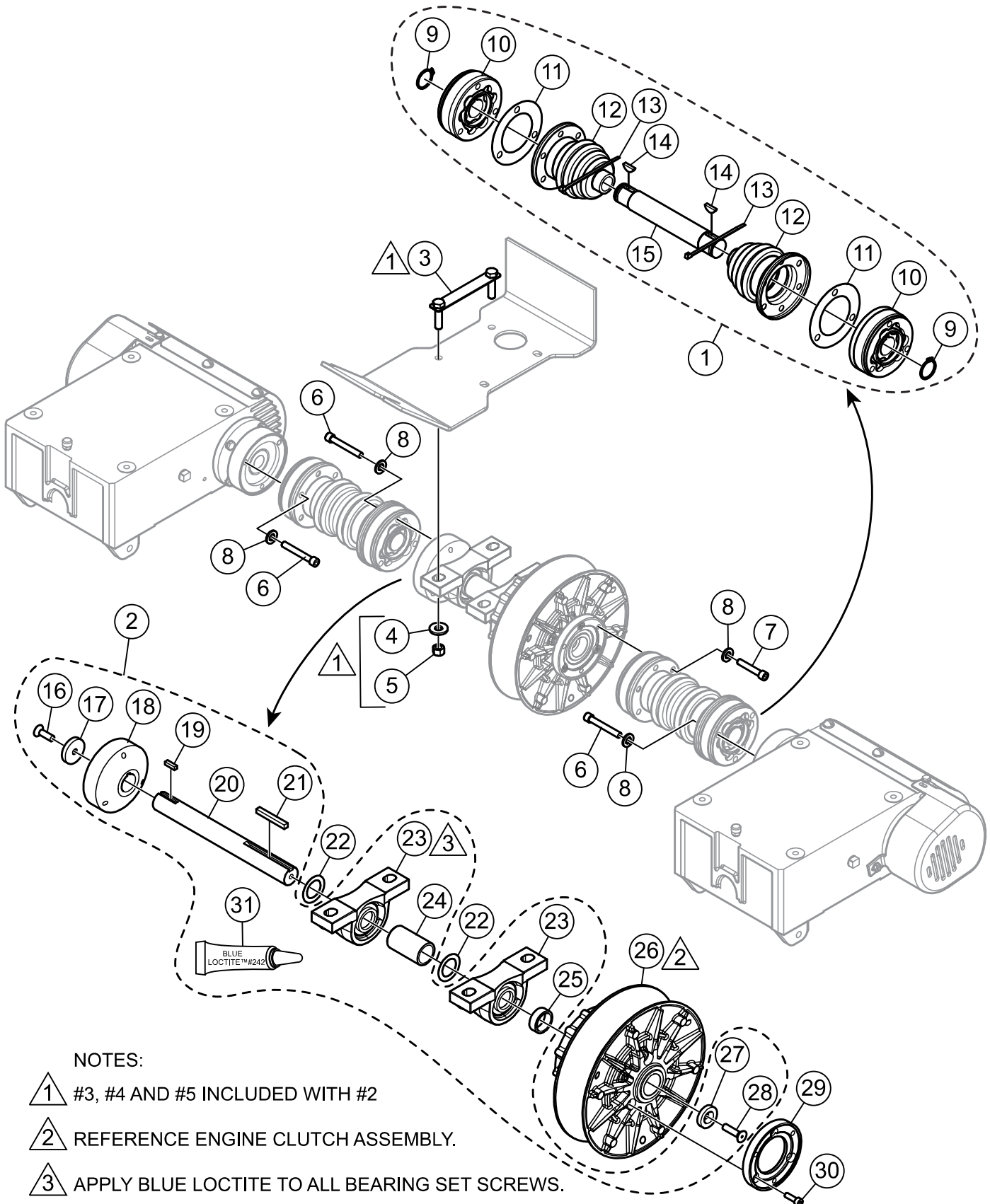
PITCH CONTROL DRIVE CABLE ASSY.

| <u>NO.</u> | <u>PART NO.</u> | <u>PART NAME</u> | <u>QTY.</u> | <u>REMARKS</u> |
|------------|-----------------|-------------------------------|-------------|----------------|
| 1 | 23036 | GEAR, PITCH CONTROL | 1 | |
| 2 | 9195 | SHS M5-0.8 X 10 CONE PT PATCH | 2 | |
| 3 | 23295 | CLAMP, PITCH CABLE | 1 | |
| 4 | 37325 | SHC M5-0.8 X 30MM | 2 | |
| 5 | 23503 | DRIVE CABLE, PITCH CONTROL | 1 | |
| 6 | 23615 | CLAMP, PITCH CABLE, THREADED | 1 | |

NOTICE

Indicated quantities are for one pitch control drive assembly. If ordering for two pitch control drives, double the quantity.

DRIVE ASSY.



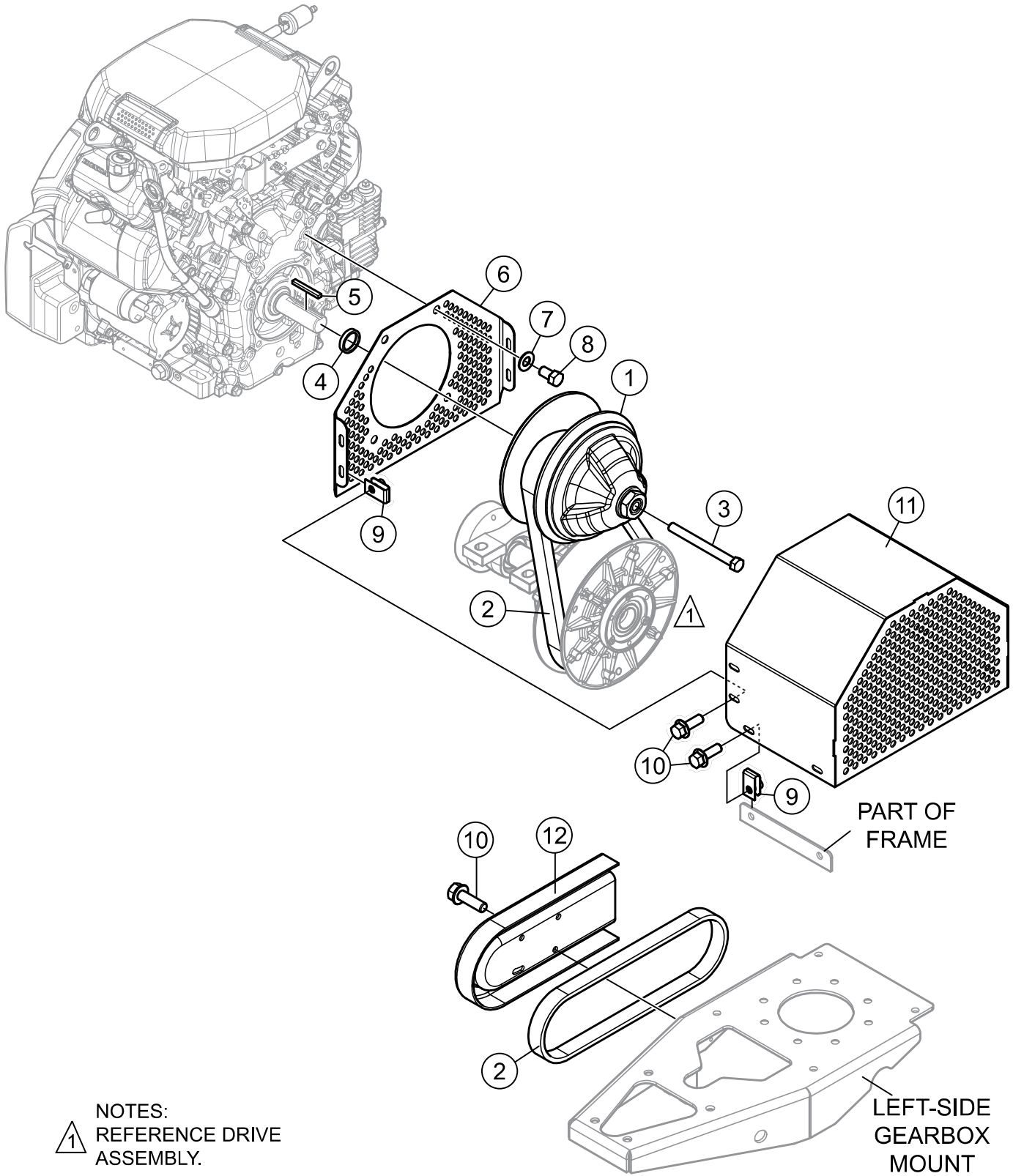
NOTES:

- ① #3, #4 AND #5 INCLUDED WITH #2
- ② REFERENCE ENGINE CLUTCH ASSEMBLY.
- ③ APPLY BLUE LOCTITE TO ALL BEARING SET SCREWS.

DRIVE ASSY.

| <u>NO.</u> | <u>PART NO.</u> | <u>PART NAME</u> | <u>QTY.</u> | <u>REMARKS</u> |
|------------|-----------------|--|-------------|-------------------------|
| 1 | 23477 | CV JOINT ASSEMBLY..... | 2 | INCLUDES ITEMS W/@ |
| 2 | 23485-SK | CROSS SHAFT ASSEMBLY..... | 1 | INCLUDES ITEMS W/% |
| 3% | 20186 | PLATE, PILLOW BLOCK BEARING MOUNT | 2 | |
| 4% | 13351 | WASHER, FLAT 3/8 EXT THICK HIGH STRGTH | 4 | |
| 5% | 10133 | NUT, NYLOC 3/8-16 | 4 | |
| 6 | 2186 | SCREW, SHC 5/16-18 X 2-1/4" PLTD | 9 | |
| 7 | 0243 | SCREW, SHC 5/16-18 X 1-3/4" | 3 | |
| 8 | 0161 C | WASHER, LOCK, 5/16 MED. | 12 | |
| 9@ | 2090 | SNAP RING, TRUARC#5100-106 1.062 DIAx.056 | 2 | |
| 10@ | 392052 | JOINT, C.V. | 2 | |
| 11@ | 11108 | GASKET, C.V. JOINT BOOT | 2 | |
| 12@ | 2259 | BOOT ASM, C.V. JOINT | 2 | |
| 13@ | 1662 | TIE, CABLE TIE TY-RAP BLACK | 2 | |
| 14@ | 0126 | KEY, WOODRUFF #606 3/16x3/4 (#9) | 2 | |
| 15@ | 2071 | SHAFT, C.V. JOINT 7.44LG | 1 | |
| 16% | 1146 | SCREW, FHSC 5/16-18 X 1", NYLOC, NP | 1 | |
| 17% | 2037 | SPACER, CSK 1.375 DIA. x .328 DIA. x .250 | 1 | |
| 18% | 2029 | COUPLER, C.V. 1.000 DIA SHAFT DRIVE | 1 | |
| 19% | 10909 | KEY, 3/16" SQ X 11/16" | 1 | |
| 20% | | SHAFT, DRIVE BEARING | 1 | MUST ORDER P/N 23485-SK |
| 21% | 6059 B | KEY, 1/4 SQ X 2" | 1 | |
| 22 | 11773 | SHIM, STEEL .031 x 1.500 DIA .x 1.000 DIA. | 2 | |
| 23% | 32484 | BEARING, P-BLOCK 1.0"-JIB #VPLS205-16 | 2 | |
| 24% | 23531 | SPACER, BEARING SHAFT | 1 | |
| 25% | 23532 | SPACER, LOWER CLUTCH | 1 | |
| 26 | 23511 | PULLEY, DRIVEN JWN24 | 1 | |
| 27% | 23484 | RETAINER, DRIVEN CLUTCH | 1 | |
| 28% | 9092 | SCREW, FHSC 5/16-18 X .25" NYLON PATCH | 1 | |
| 29 | 23480 | COUPLER, CV JOINT | 1 | |
| 30 | 17108 | SCREW, SHC M6-1.00 X 20, DIN912 CL12.9 | 3 | |
| 31% | 1477 | LOCTITE 242 BLUE .5CC | 1 | |

ENGINE CLUTCH ASSY.

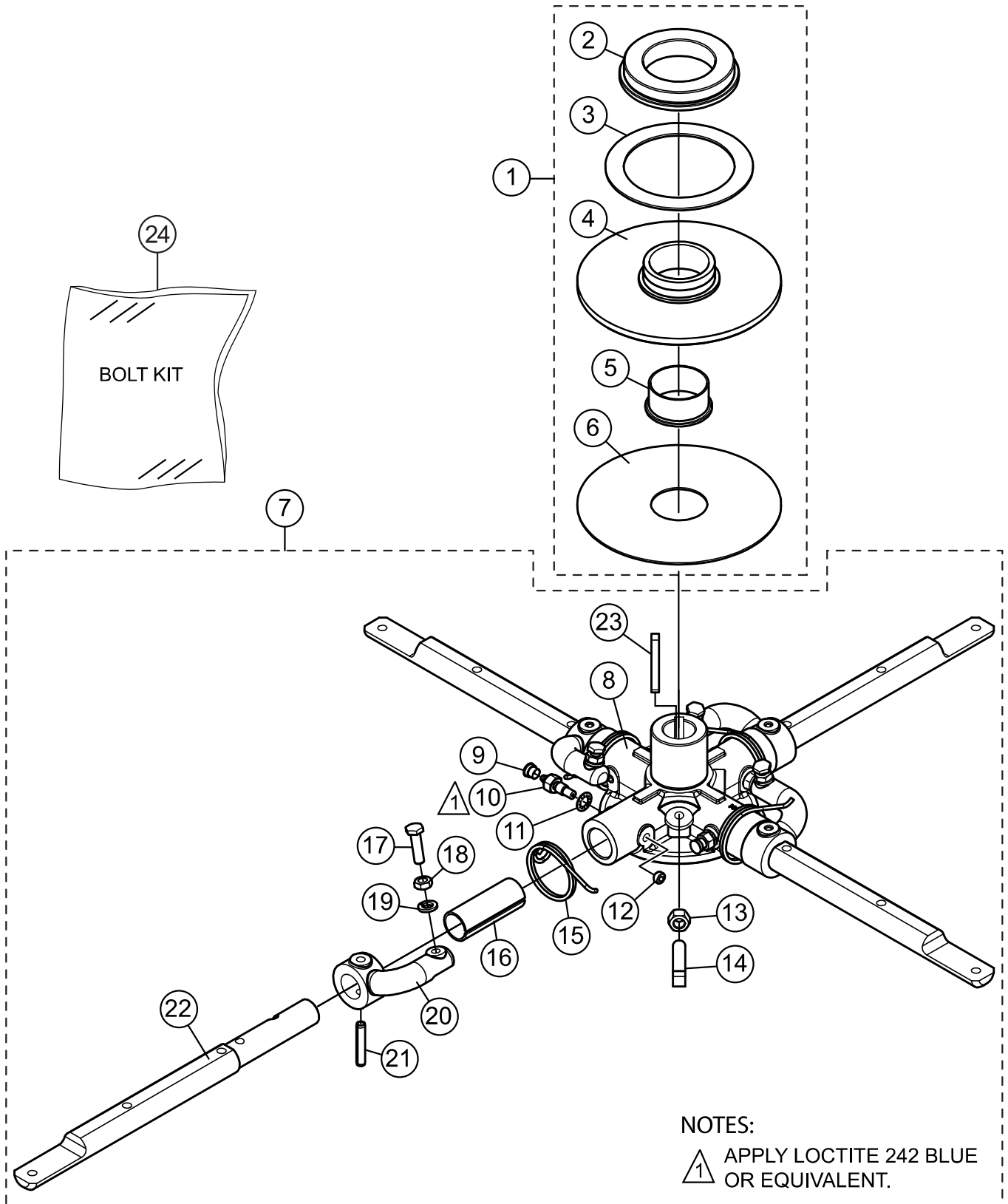


△ NOTES:
REFERENCE DRIVE
ASSEMBLY.

ENGINE CLUTCH ASSY.

| <u>NO.</u> | <u>PART NO.</u> | <u>PART NAME</u> | <u>QTY.</u> | <u>REMARKS</u> |
|------------|-----------------|---------------------------------|-------------|----------------|
| 1 | 23512 | CLUTCH, DRIVE | 1 | |
| 2 | 23513 | BELT, LIGHT DUTY RIDER CVT | 2 | |
| 3 | 23516 | SCREW, HHC 7/16-20 x 4.0" GRD 8 | 1 | |
| 4 | 23590 | SPACER, UPPER CLUTCH | 1 | |
| 5 | 22632 | KEY, STEEL .188 x .250 x 2.063 | 1 | |
| 6 | 23565 | PANEL, BACK, BELT GUARD | 1 | |
| 7 | 933243 | WASHER, FLAT SAE 7/16 GRD 9 YZ | 4 | |
| 8 | 15563 | SCREW, HHC 7/16-14 X 0.75" | 4 | |
| 9 | 11534 | NUT, "U" TYPE, 1/4-20 | 8 | |
| 10 | 49048 | SCREW, HHFS 1/4-20 X 3/4" GR5 | 10 | |
| 11 | 23562 | GUARD, BELT | 1 | |
| 12 | 2429 | BELT HOLDER, CVT SPARE BELT | 1 | |

SPIDER ASSY. (LEFT)

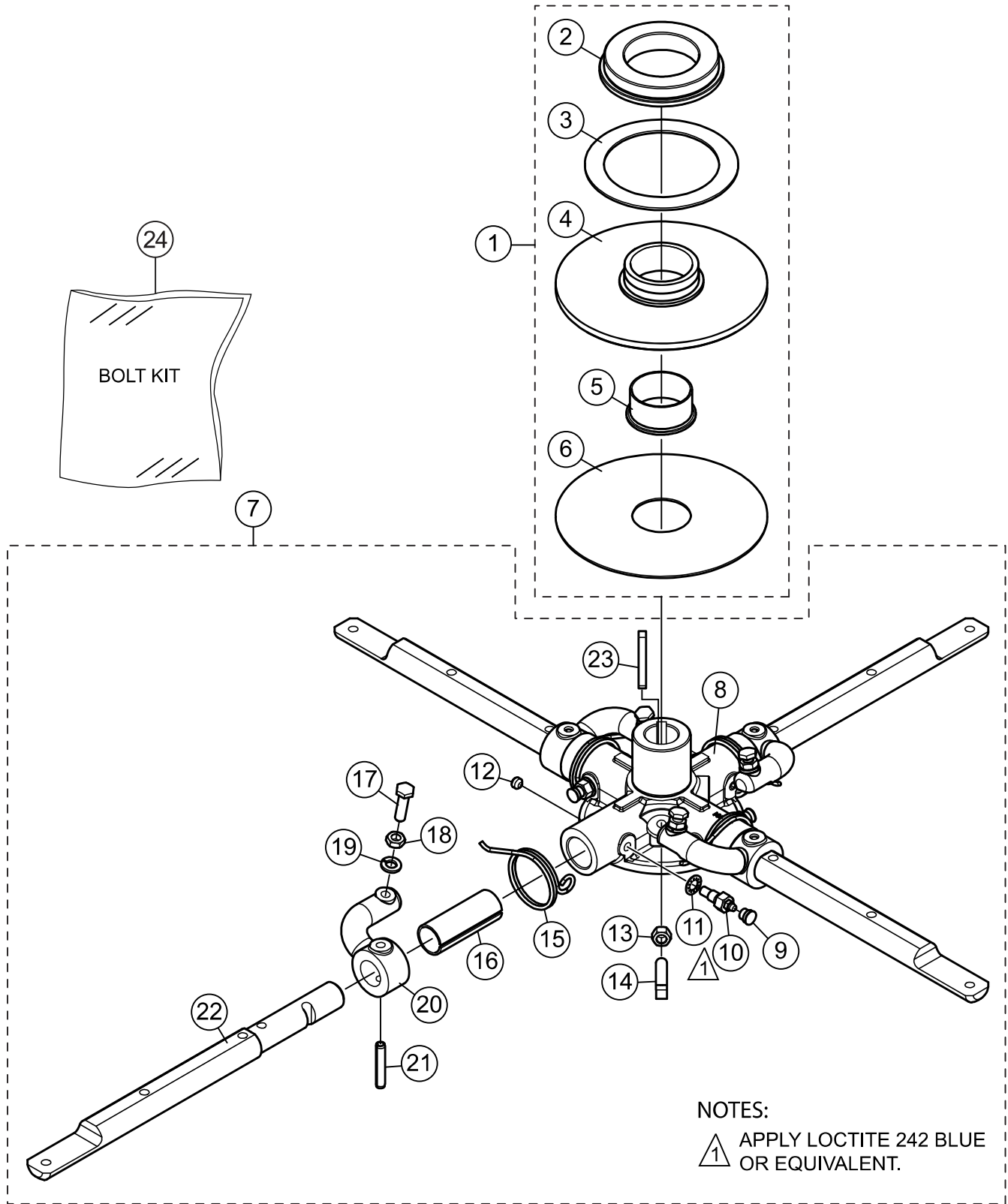


NOTES:
△ APPLY LOCTITE 242 BLUE OR EQUIVALENT.

SPIDER ASSY. (LEFT)

| <u>NO.</u> | <u>PART NO.</u> | <u>PART NAME</u> | <u>QTY.</u> | <u>REMARKS</u> |
|------------|-----------------|--|-------------|--------------------|
| 1 | 10968 | THRUST COLLAR ASSY., JB SEALED..... | 1..... | INCLUDES ITEMS W/@ |
| 2@ | 12778 | BEARING, THRUST 6013-2RS | 1 | |
| 3@ | 12208 | WEAR RING, SEALED THRUST | 1 | |
| 4@ | 10793 | THRUST COLLAR ASSY. | 1 | |
| 5@ | 1471 | BUSHING, BRONZE | 1 | |
| 6@ | 1154 A | PLATE, WEAR | 1 | |
| 7 | 20369 | SPIDER ASSEMBLY, 4BLD LEFT SIDE | 1..... | INCLUDES ITEMS W/% |
| 8% | 12478 | SPIDER HUB ASSEMBLY | 1 | |
| 9% | 1162 A | CAP, GREASE ZERK, #2 YELLOW | 4 | |
| 10% | A5978 | SCREW, ARM RETAINING | 4 | |
| 11% | 1875 | WASHER, INT. SHKP, 3/8 | 4 | |
| 12% | 11602 | SCREW, SHS 3/8-16 X .25" | 4 | |
| 13% | 1456 | NUT, HEX FINISH 3/8-16 | 1 | |
| 14% | 12097 | SCREW, SQHS 3/8-16 X 1-3/4" CONE GRD 8 | 1 | |
| 15% | 1316 | SPRING, LS J/B ARM RETURN | 4 | |
| 16% | 1157 A | BUSHING, INSERT | 4 | |
| 17% | 0164 B | SCREW, HHC ROUNDED | 4 | |
| 18% | 1876 | NUT, HEX JAM 3/8-16 CLASS 2B | 4 | |
| 19% | 0166 A | WASHER, LOCK, 3/8 MED. | 4 | |
| 20% | 1555 | LEVER, TROWEL ARM, LEFT HAND | 4 | |
| 21% | 4164 | PIN, ROLL 5/16 X 1-3/4", NO PLATE | 4 | |
| 22% | 20409 | ARM, TROWEL BLADE JWN LEFT | 4 | |
| 23% | 9193 | KEY, SQ RN .312 X 3.00 | 1 | |

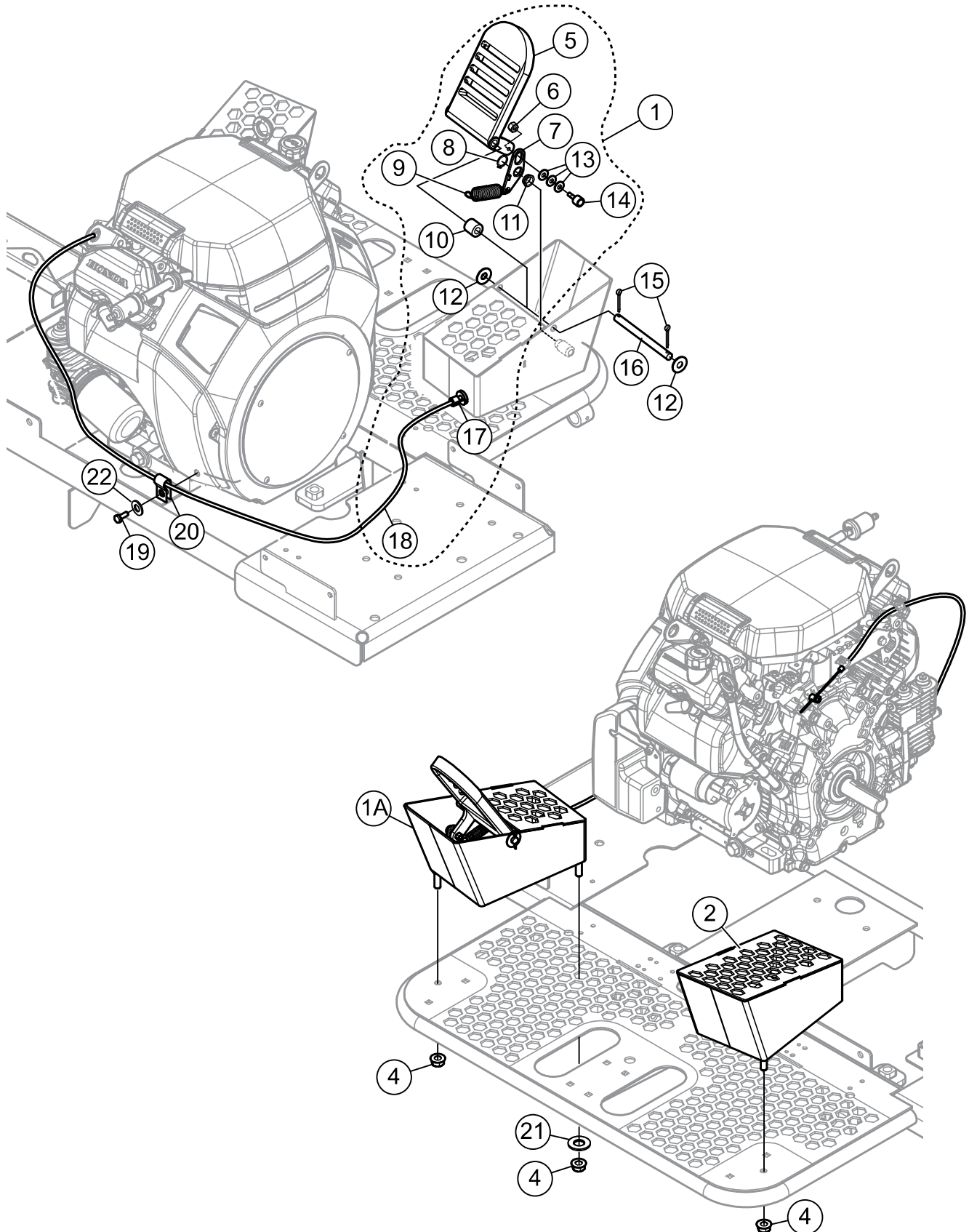
SPIDER ASSY. (RIGHT)



SPIDER ASSY. (RIGHT)

| <u>NO.</u> | <u>PART NO.</u> | <u>PART NAME</u> | <u>QTY.</u> | <u>REMARKS</u> |
|------------|-----------------|--|-------------|--------------------|
| 1 | 10968 | THRUST COLLAR ASSEMBLY, JB SEALED | 1 | INCLUDES ITEMS W/@ |
| 2@ | 12778 | BEARING, THRUST 6013-2RS | 1 | |
| 3@ | 12208 | WEAR RING, SEALED THRUST | 1 | |
| 4@ | 10793 | THRUST COLLAR ASSY. | 1 | |
| 5@ | 1471 | BUSHING, BRONZE | 1 | |
| 6@ | 1154 A | PLATE, WEAR | 1 | |
| 7 | 20370 | SPIDER ASSEMBLY, 4BLD RIGHT SIDE | 1 | INCLUDES ITEMS W/% |
| 8% | 12478 | SPIDER HUB ASSEMBLY | 1 | |
| 9% | 1162 A | CAP, GREASE ZERK, #2 YELLOW | 4 | |
| 10% | A5978 | SCREW, ARM RETAINING | 4 | |
| 11% | 1875 | WASHER, INT. SHKP, 3/8 | 4 | |
| 12% | 11602 | SCREW, SHS 3/8-16 X .25" | 4 | |
| 13% | 1456 | NUT, HEX FINISH 3/8-16 | 1 | |
| 14% | 12097 | SCREW, SQHS 3/8-16 x 1-3/4" CONE GRD 8 | 1 | |
| 15% | 1317 | SPRING, RS J/B ARM RETURN | 4 | |
| 16% | 1157 A | BUSHING, INSERT | 4 | |
| 17% | 0164 B | SCREW, HHC ROUNDED | 4 | |
| 18% | 1876 | NUT, HEX JAM 3/8-16 CLASS 2B | 4 | |
| 19% | 0166 A | WASHER, LOCK, 3/8 MED. | 4 | |
| 20% | 1163 | LEVER, TROWEL ARM, RIGHT HAND | 4 | |
| 21% | 4164 | PIN, ROLL 5/16 X 1-3/4",NO PLATE | 4 | |
| 22% | 20408 | ARM, TROWEL BLADE JWN RIGHT | 4 | |
| 23% | 9193 | KEY, SQ RN .312x3.00 | 1 | |

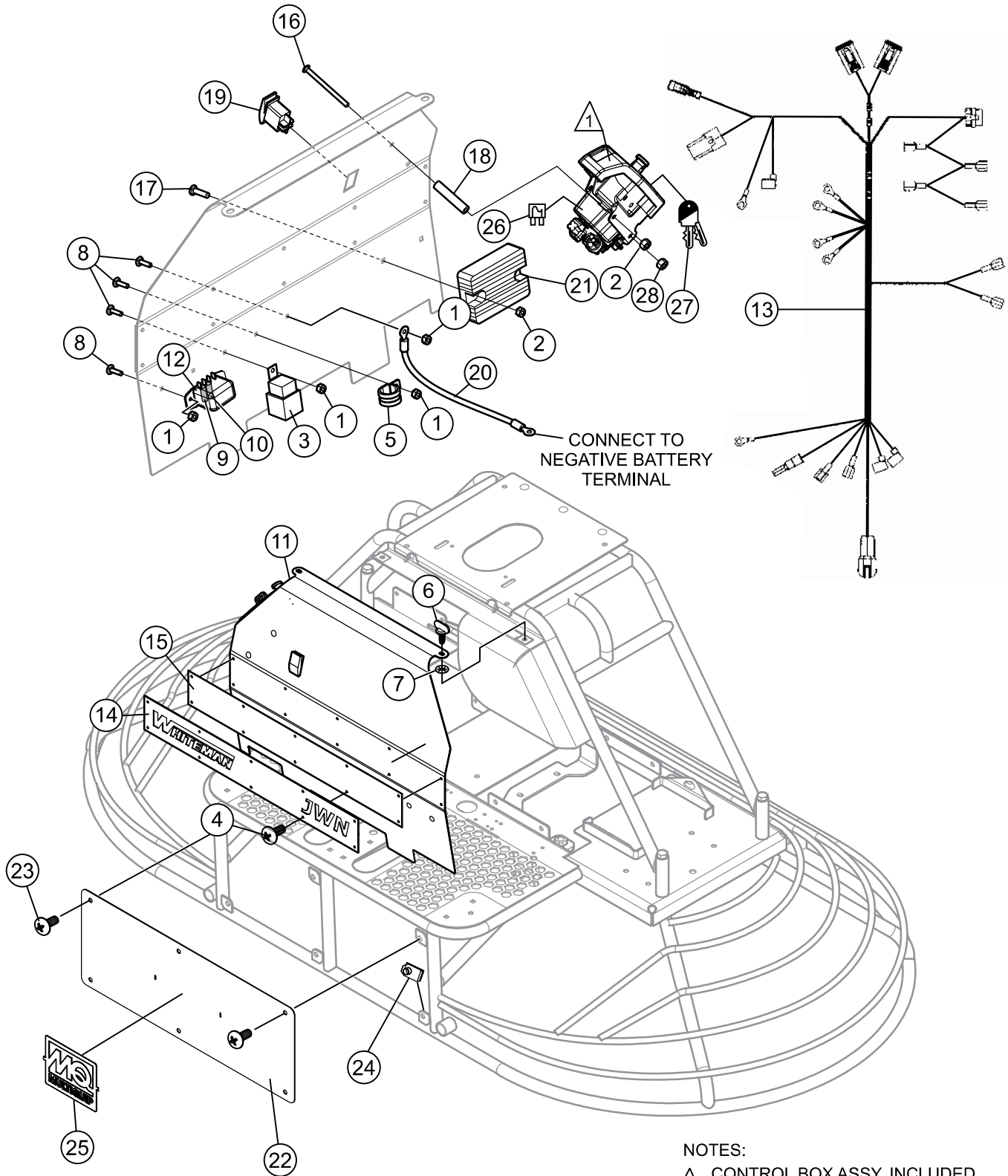
FOOT PEDAL/THROTTLE ASSY.



FOOT PEDAL/THROTTLE ASSY.

| <u>NO.</u> | <u>PART NO.</u> | <u>PART NAME</u> | <u>QTY.</u> | <u>REMARKS</u> |
|------------|-----------------|--|-------------|--------------------|
| 1 | 23469 | ACCELERATOR PEDAL ASSEMBLY | 1..... | INCLUDES ITEMS W/@ |
| 1A@ | 23592 | FOOT RISER, ACCELERATOR SIDE | 1 | |
| 2 | 23568 | FOOT RISER | 1 | |
| 4 | 49071 | NUT, FLANGED 5/16-18 SERRATED PLTD | 4 | |
| 5@ | 23591 | PEDAL, ACCELERATOR | 1 | |
| 6@ | 10019 | NUT, NYLOC 10-32 | 1 | |
| 7@ | 23473 | LINKAGE, ACCELERATOR PEDAL | 1 | |
| 8@ | 1737 | RING, SNAP, TRUARC 5100-50 | 1 | |
| 9@ | 37527 | SPRING, EXT. .625OD X 2.5L X .053 M WIRE | 1 | |
| 10@ | 23596 | SPACER, PEDAL | 1 | |
| 11@ | 38368 | BUSHING, SPLIT FLANGED, .5 ID | 1 | |
| 12@ | 10136 | WASHER, FLAT SAE 3/8 | 2 | |
| 13@ | 2203 | WASHER, FLAT, #10 | 3 | |
| 14@ | 460018 | CAM ROLLER, SAW FNR CONTROL | 1 | |
| 15@ | 6014 B | PIN, COTTER 3/32D X 1.00" | 2 | |
| 16@ | 2772 | PIN, ACCELERATOR PEDAL | 1 | |
| 17@ | 21824 | ADJUSTER W/ THUMB WHEEL | 1 | |
| 18@ | 23518 | CABLE, THROTTLE JWN | 1 | |
| 19 | 12464 | SCREW, HHC M6-1.0 X 16MM | 1 | |
| 20 | 8126 | CLAMP, HOSE SUPPORT 1/2" SMALL | 1 | |
| 21 | 933213 | WASHER, FENDER, 5/16 X 1" ZINC | 4 | |

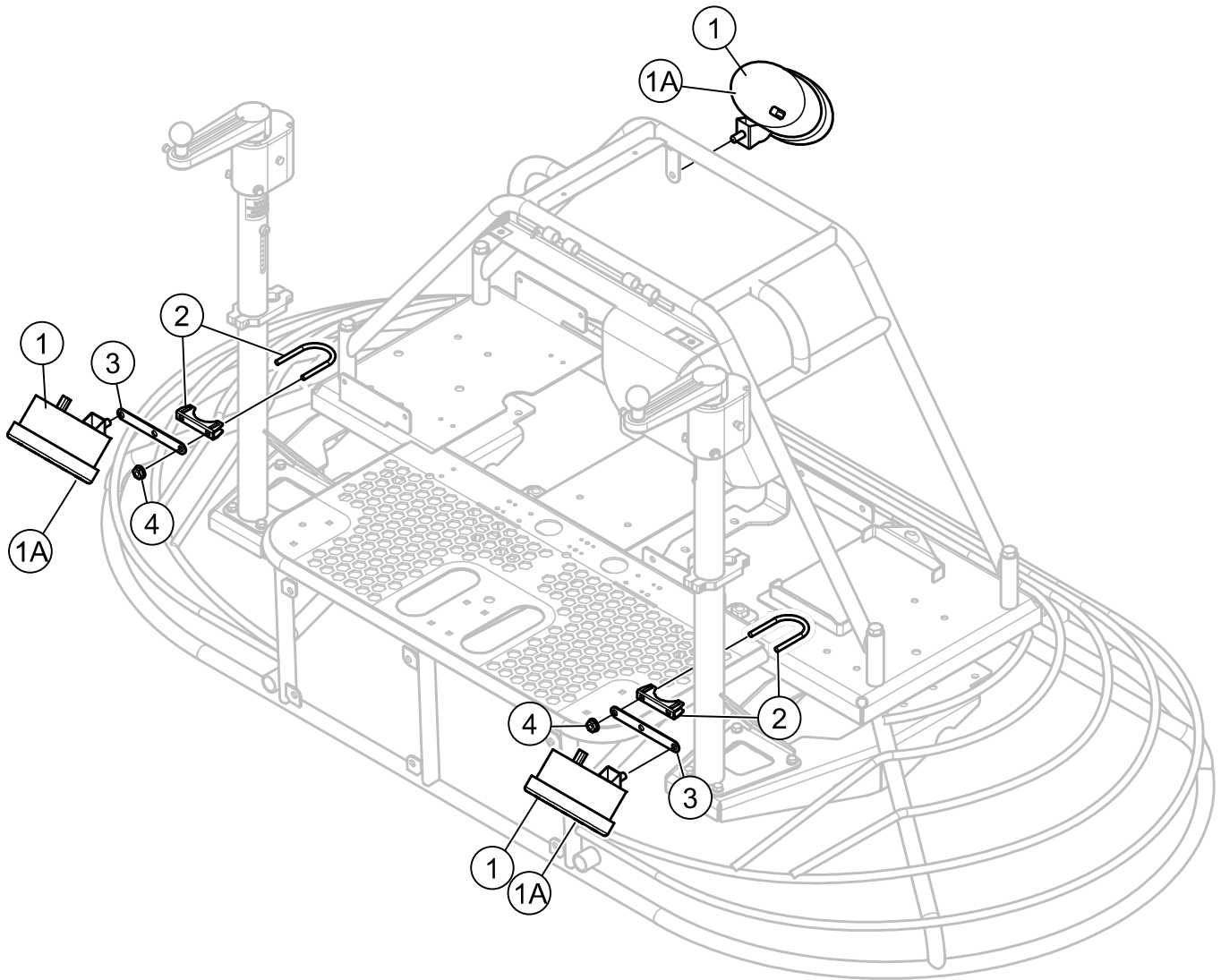
CONTROL PANEL ASSY.



CONTROL PANEL ASSY.

| <u>NO.</u> | <u>PART NO.</u> | <u>PART NAME</u> | <u>QTY.</u> | <u>REMARKS</u> |
|------------|-----------------|-------------------------------------|-------------|--------------------------|
| 1 | 10019 | NUT, NYLOC 10-32 | 7 | |
| 2 | 10024 | NUT, NYLOC 1/4-20 | 2 | |
| 3 | 12017 | RELAY, KILL | 1 | |
| 4 | 19847 | RIVET, POP, ALUM, 3/16x1/8-1/4 GRIP | 10 | |
| 5 | 21574 | CLAMP, LOOP CUSHIONED #16 0.25 HOLE | 1 | |
| 6 | 21893 | SCREW, FAST LEAD | 2 | |
| 7 | 21986 | WASHER, FAST LEAD-STAINLESS | 2 | |
| 8 | 22131 | BOLT, CARRIAGE 10-32 X 3/4 ZINC | 5 | |
| 9 | 23284-030 | FUSE, 3 AMP | 1 | |
| 10 | 23284-150 | FUSE, 15 AMP | 1 | |
| 11 | 23526 | PANEL, FRONT, JWN | 1 | |
| 12 | 23534 | FUSE BLOCK, 4 FUSE | 1 | |
| 13 | 23540 | HARNES, MAIN PANEL, JWN | 1 | |
| 14 | 23549 | PANEL, "WHITEMAN", JWN | 1 | |
| 15 | 23577 | PLATE, TRIM BACKING, JWN | 1 | |
| 16 | 23595 | BOLT, CARRIAGE 1/4-20 X 3-1/2" | 2 | |
| 17 | 23620 | BOLT, CARRIAGE 1/4-20 x 1" | 2 | |
| 18 | 23622 | SPACER, ENG CONTOL PANEL | 2 | |
| 19 | 406000 | SWITCH, ROCKER, CH# M-58031-01 | 1 | |
| 20 | 23605 | WIRE, CONTROL PANEL GROUND | 1 | |
| 21 | 31750Z2E803 | REGULATOR 20 AMP, RECTIFIER ASSY. | 1 | |
| 22 | 23612 | PLATE, FRONT PANEL (LOWER) | 1 | |
| 23 | 12287 | SCREW, THP 1/4-20 X 3/4 SS | 6 | |
| 24 | 11534 | NUT, "U" TYPE" | 6 | |
| 25 | 23235 | BADGE, FOOT PLATFORM | 1 | |
| 26 | 982004300 | FUSE, 30A | 1 | |
| 27 | 35110ZV5V501 | KEY, IGNITION | 2..... | REPLACES P/N 35110ZV5V50 |

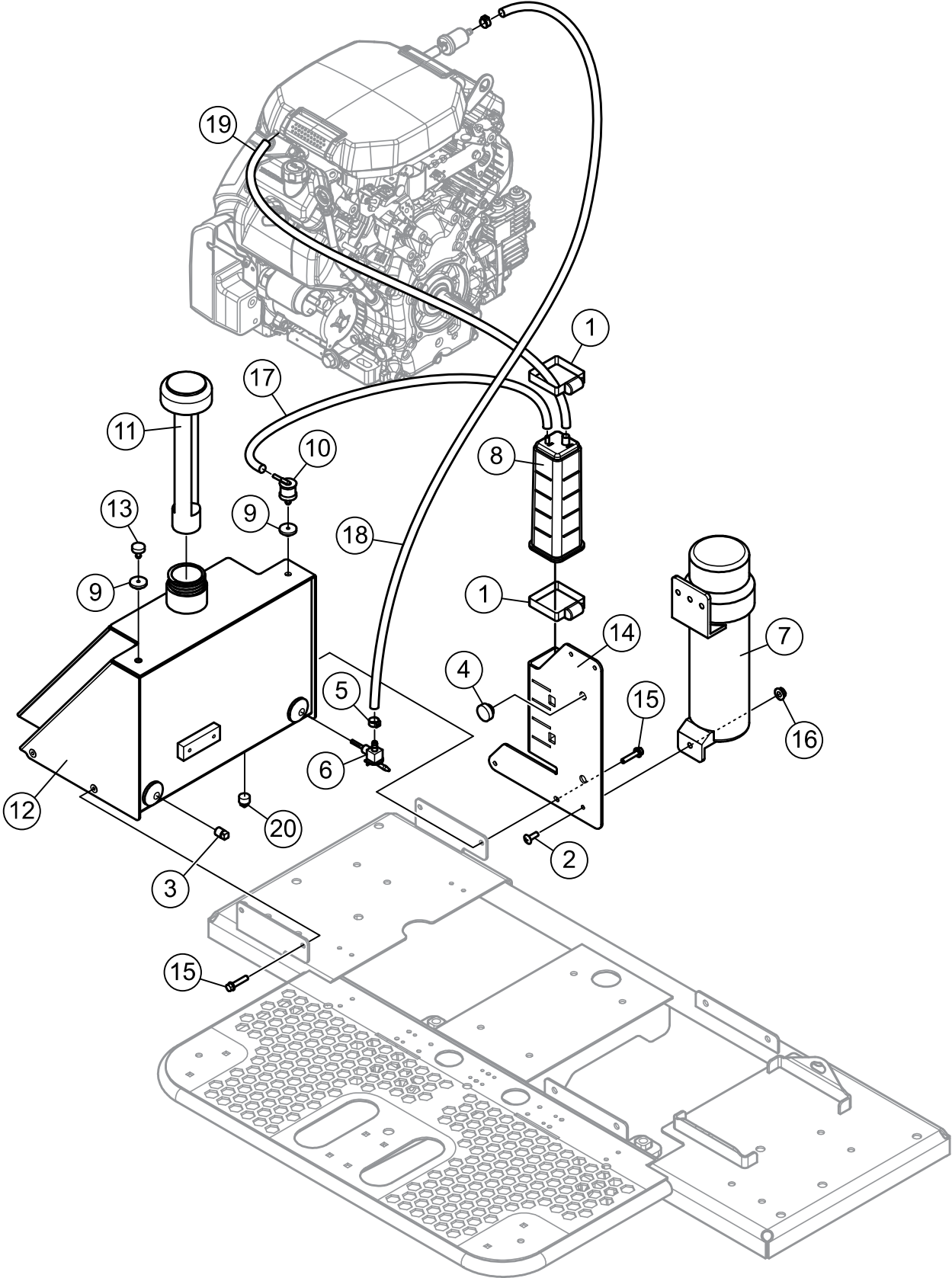
LIGHTS ASSY.



LIGHTS ASSY.

| <u>NO.</u> | <u>PART NO.</u> | <u>PART NAME</u> | <u>QTY.</u> | <u>REMARKS</u> |
|------------|-----------------|--------------------------------|-------------|--------------------|
| 1 | 22347 | LIGHT, HELLA BOTTOM MOUNT OVAL | 3 | |
| 1A | 32640 | LIGHT, LED 20W, OVAL | 3 | |
| 2 | 2534 | CLAMP, 1-3/4" MUFFLER..... | 2..... | INCLUDES ITEMS W/@ |
| 3 | 2531 | BRACKET, LIGHT SIDE | 2 | |
| 4@ | | NUT | 4 | |

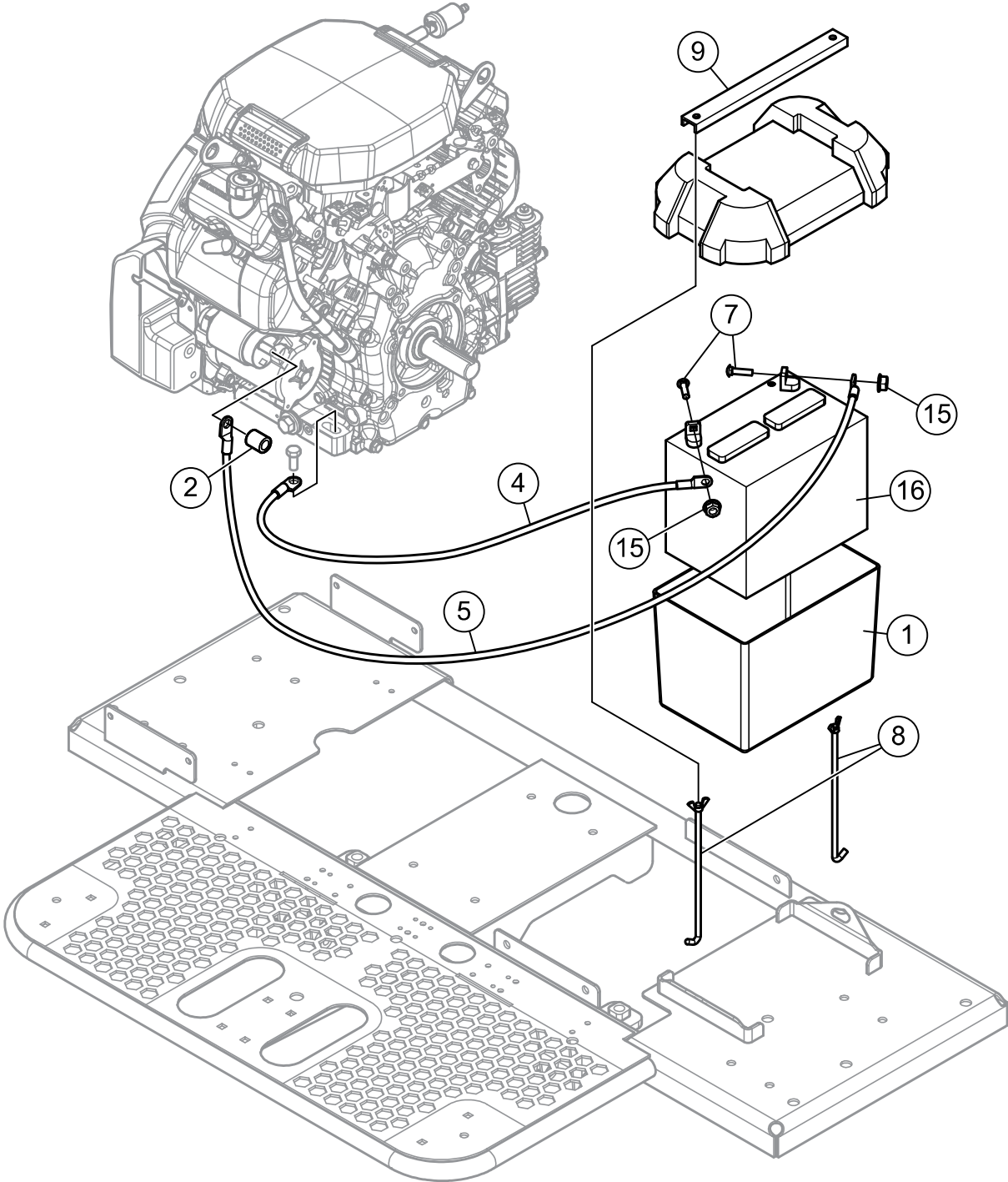
FUEL ASSY.



FUEL ASSY.

| <u>NO.</u> | <u>PART NO.</u> | <u>PART NAME</u> | <u>QTY.</u> | <u>REMARKS</u> |
|------------|-----------------|--|-------------|----------------|
| 1 | 12277 | CLAMP, HOSE WORM, #36, 1 13/16 - 2 3/4 | 2 | |
| 2 | 12287 | SCREW, THP 1/4-20 X 3/4" SS | 3 | |
| 3 | 16185 | FITTING, PLUG 1/4MP SQ HD | 1 | |
| 4 | 21597 | BUMPER,STEM 1.0"D x .5S x .31 | 2 | |
| 5 | 22067 | CLAMP, STEPLESS EAR 1/4" HOSE #138 | 2 | |
| 6 | 22081 | SHUTOFF VALVE, 1/4 NPT, 1/4 HOSE | 1 | |
| 7 | 23297 | MANUAL HOLDER, PICTOGRAPH SAE J232 | 1 | |
| 8 | 23505 | CANISTER, CARBON, 390CC/EPA | 1 | |
| 9 | 23507 | GROMMET, ROLL OVER VALVE/EPA | 2 | |
| 10 | 12007 | FITTING, 90° 4SBARB X 6-4SBARB THRU TANK | 1 | |
| 11 | 23514 | CAP, RATCHET W/GAUGE "GASOLINE" (10.5")/EPA | 1 | |
| 12 | 23556 | FUEL TANK, ASSEMBLY | 1 | |
| 13 | 23557 | PLUG, FUEL TANK VENT | 1 | |
| 14 | 23593 | BRACKET, CHARCOAL CANISTER | 1 | |
| 15 | 23619 | SCREW, HHFS 1/4-20 X 1-1/4", ZP | 4 | |
| 16 | 49070 | NUT, FLANGED 1/4-20 SERRATED PLTD | 3 | |
| 17 | 60004 | HOSE,FUEL .187 D 50PSI LOW PERM CARB2006/EPA | 1.0 FT | |
| 18 | 60013 | HOSE,FUEL .250 D 50PSI LOW PERM CARB2006/EPA | 2.0 FT | |
| 19 | 60028 | HOSE,FUEL .312 D 50PSI LOW PERM CARB2006/EPA | 2.0 FT | |
| 20 | 911329 | FITTING, PLUG 3/8MP MAGNET | 1 | |

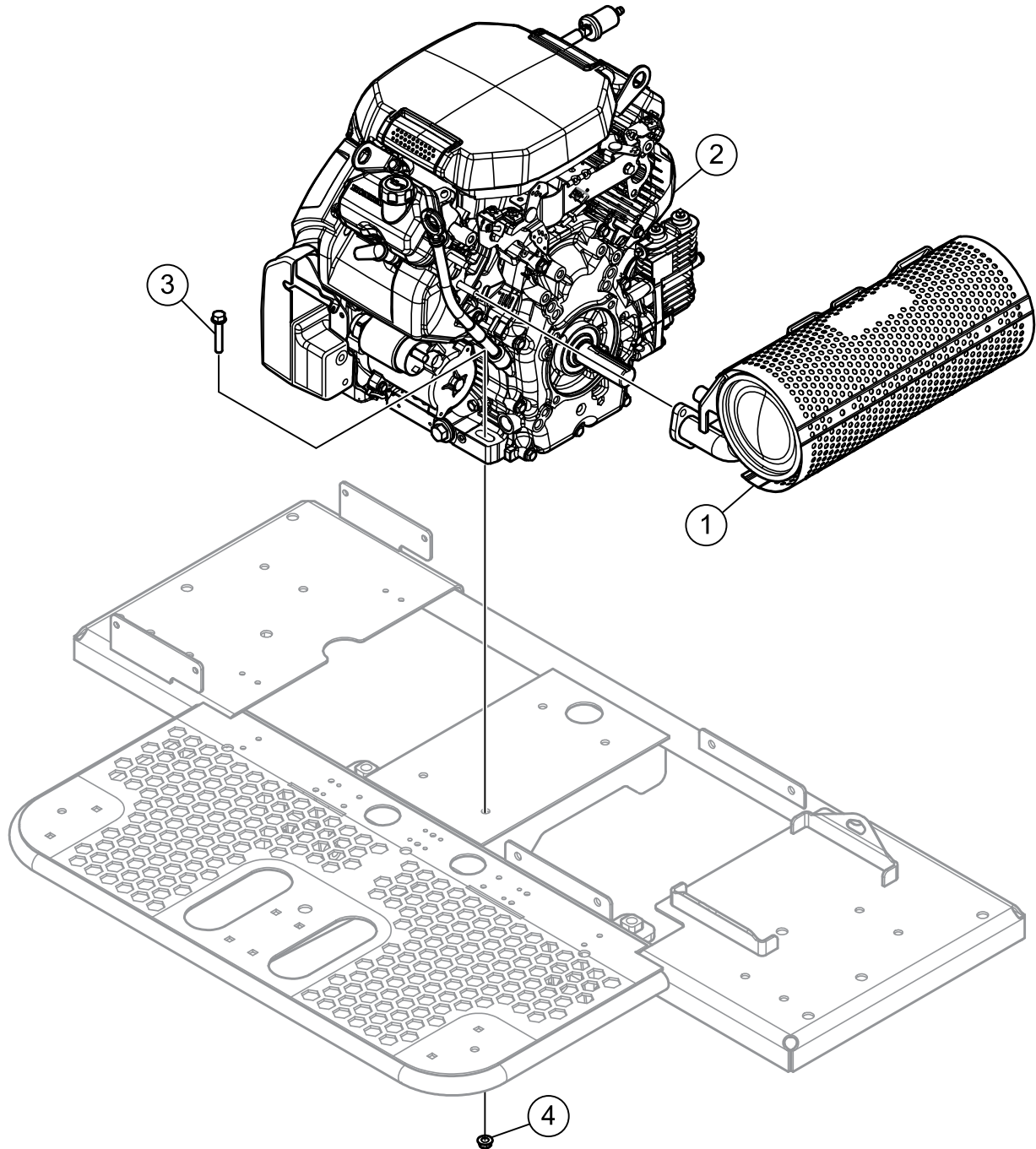
BATTERY ASSY.



BATTERY ASSY.

| <u>NO.</u> | <u>PART NO.</u> | <u>PART NAME</u> | <u>QTY.</u> | <u>REMARKS</u> |
|------------|-----------------|------------------------------------|-------------|----------------|
| 1 | 2449 | BATTERY BOX, GR. U1 | 1 | |
| 2 | 2762 | BOOT, TERMINAL | 1 | |
| 4 | 12022 | CABLE, BATTERY NEG 4GA X 23 | 1 | |
| 5 | 12675 | CABLE, BATTERY POS 4GA X 36" | 1 | |
| 7 | 19824 | BOLT, CARRIAGE 5/16-16 x 3/4 | 2 | |
| 8 | 20194 | KIT, BATTERY HOLD DOWN HARDWARE | 1 | |
| 9 | 20356 | BRKT, BATTERY HOLD-DOWN | 1 | |
| 15 | 49071 | NUT, FLANGED 5/16-18 SERRATED PLTD | 2 | |
| 16 | 4671 | BATTERY, 12V GROUP U1 WET CELL | 1 | |

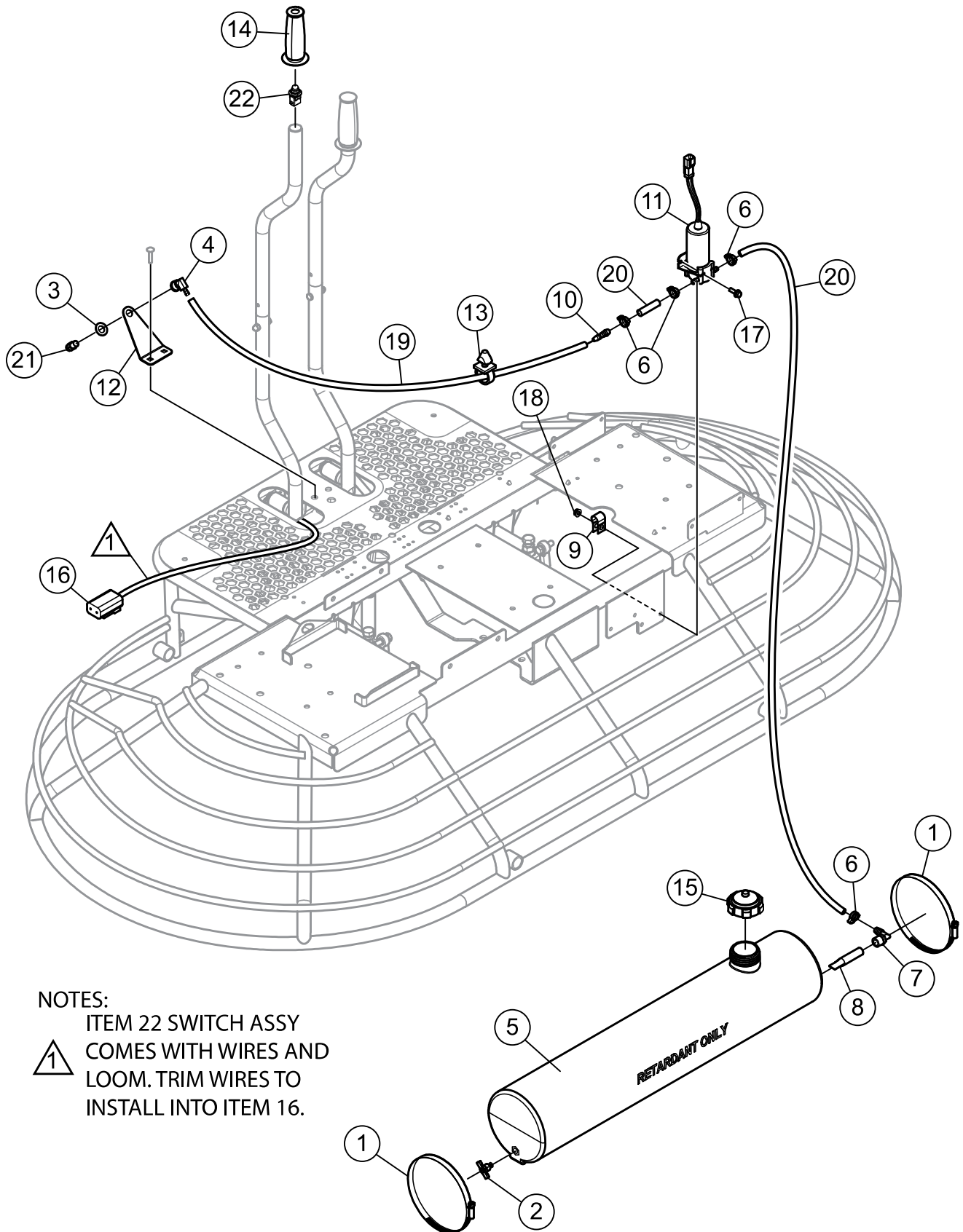
ENGINE AND MUFFLER ASSY.



ENGINE AND MUFFLER ASSY.

| <u>NO.</u> | <u>PART NO.</u> | <u>PART NAME</u> | <u>QTY.</u> | <u>REMARKS</u> |
|------------|-----------------|------------------------------------|-------------|----------------|
| 1 | 22610 | MUFFLER, RIGHT DISCHARGE, HONDA | 1 | |
| 2 | 22609 | ENGINE, HONDA GX690RTAF-R280, 24HP | 1 | |
| 3 | 22174 | SCREW, HHFS 5/16-18 x 1.75" GR5 | 4 | |
| 4 | 49071 | NUT, FLANGED 5/16-18 SERRATED PLTD | 4 | |

SPRAY ASSY. (S/N NF0210282 AND BELOW)



NOTES:

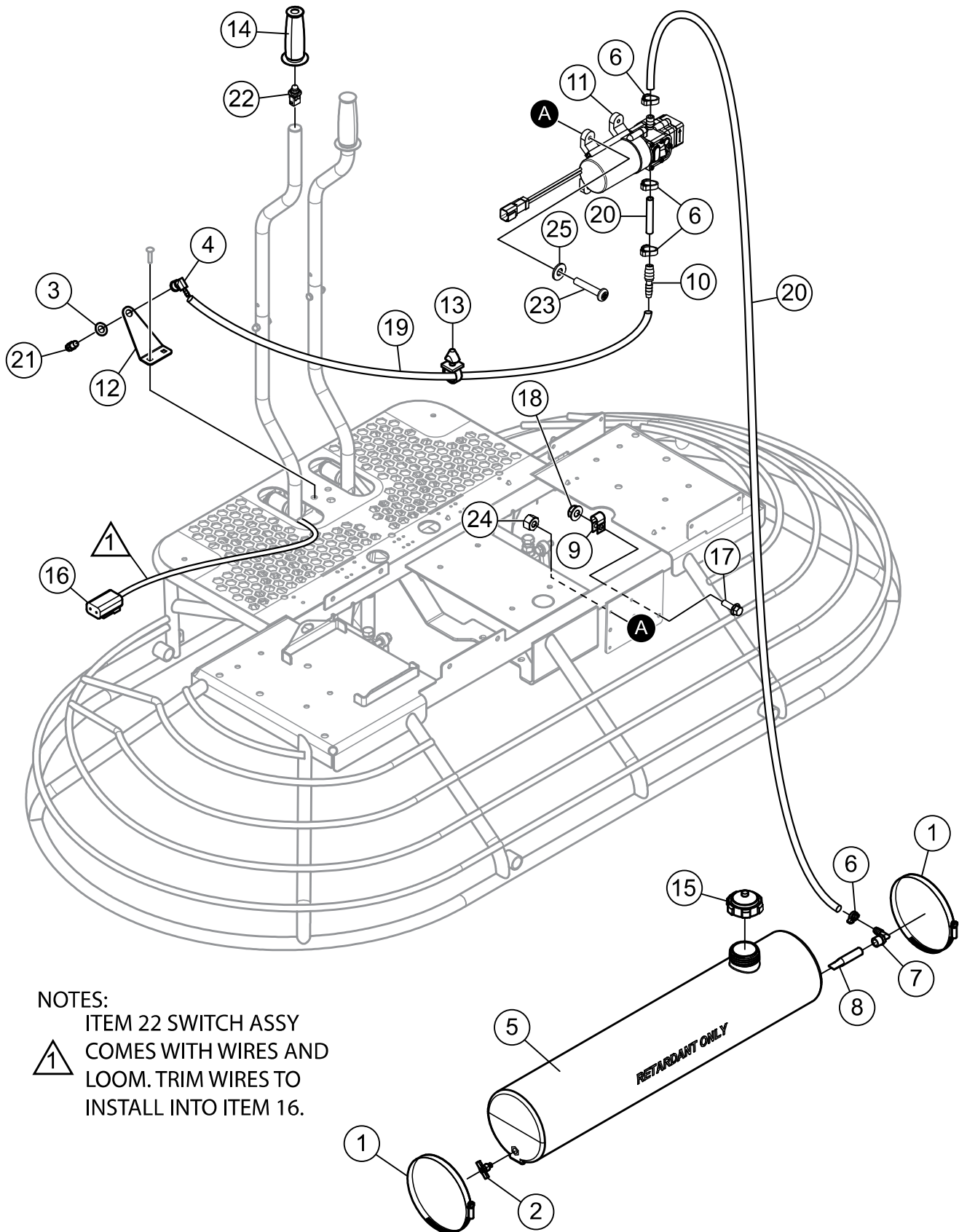
ITEM 22 SWITCH ASSY
COMES WITH WIRES AND
LOOM. TRIM WIRES TO
INSTALL INTO ITEM 16.



SPRAY ASSY. (S/N NF0210282 AND BELOW)

| <u>NO.</u> | <u>PART NO.</u> | <u>PART NAME</u> | <u>QTY.</u> | <u>REMARKS</u> |
|------------|-----------------|---|-------------|---------------------|
| 1 | 2398 | CLAMP, HOSE WORM #96 4.75" TO 6.50" | 2 | |
| 2 | 2478 | FITTING, PETCOCK RAD DRAIN 1/4MP | 1 | |
| 3 | 2898 | WASHER, BONDED NEOPRENE 1" X 1/2" | 1 | |
| 4 | 2912 | FITTING, BRASS 90 4BARB-1/4FP | 1 | |
| 5 | 2916 | WATER TANK | 1 | |
| 6 | 2918 | CLAMP, HOSE- PLASTIC .475 - .536 | 4 | |
| 7 | 2925 | FITTING, PLASTIC 90 6BARB 3/8 MP | 1 | |
| 8 | 2926 | SCREEN, STRAINER | 1 | |
| 9 | 8125 | CLAMP,HOSE 5/8" | 1 | |
| 10 | 10022 | FITTING, PLASTIC 6 BARB-4 BARB | 1 | |
| 11 | 23434 | PUMP, SPRAY W\CONNECTOR | 1 | |
| 12 | 23576 | MOUNTING BRACKET, SPRAY NOZZLE | 1 | |
| 13 | 23610 | CLIP, PUSH IN, .375 ID | 6 | |
| 14 | 23611 | GRIP, HANDLE W\ 5/8" HOLE..... | 1 | W/SPRAY OPTION ONLY |
| 15 | 2108 | CAP, SPRAY TANK | 1 | |
| 16 | 37403 | CONNECTOR KIT, DEUTSCH DT06-2S | 1 | |
| 17 | 49048 | SCREW, HHFS 1/4-20 x 3/4" GR5 | 2 | |
| 18 | 49070 | NUT, FLANGED 1/4-20 SERRATED PLTD | 2 | |
| 19 | 60001 | HOSE, PVC CLEAR .250 DIA. x .375 DIA., 4.5' | 5 | 1PC=1FT |
| 20 | 60002 | HOSE, PVC CLEAR .375 DIA. x .50 DIA., 1' | 1 | 1PC=1FT |
| 21 | 392292 | NOZZLE, SPRAY | 1 | |
| 22 | 11430 | SWITCH ASSY. W\WIRES AND LOOM | 1 | |

SPRAY ASSY. (S/N NH0210361 AND ABOVE)



NOTES:

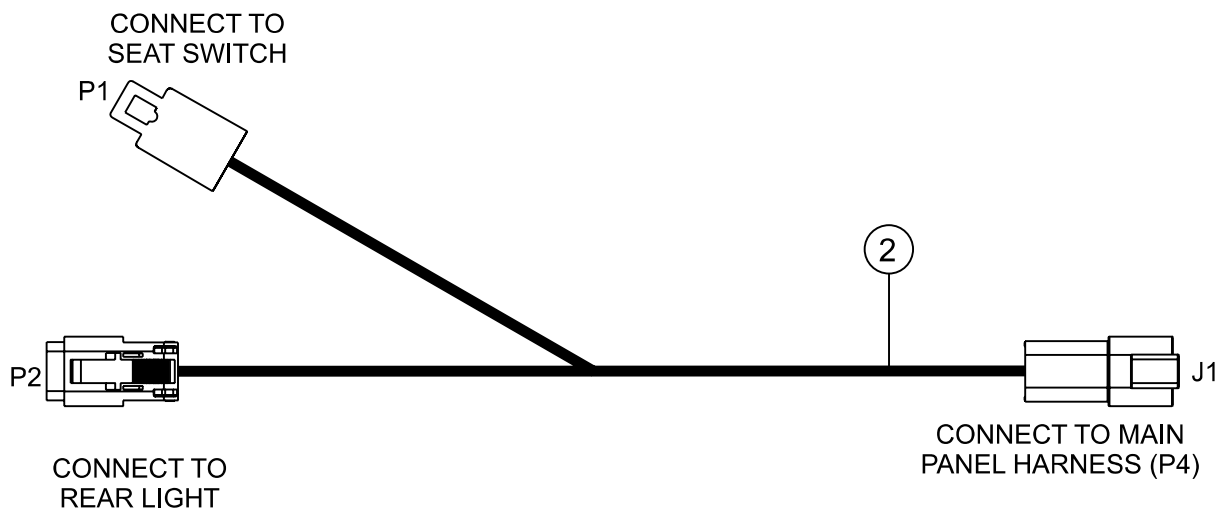
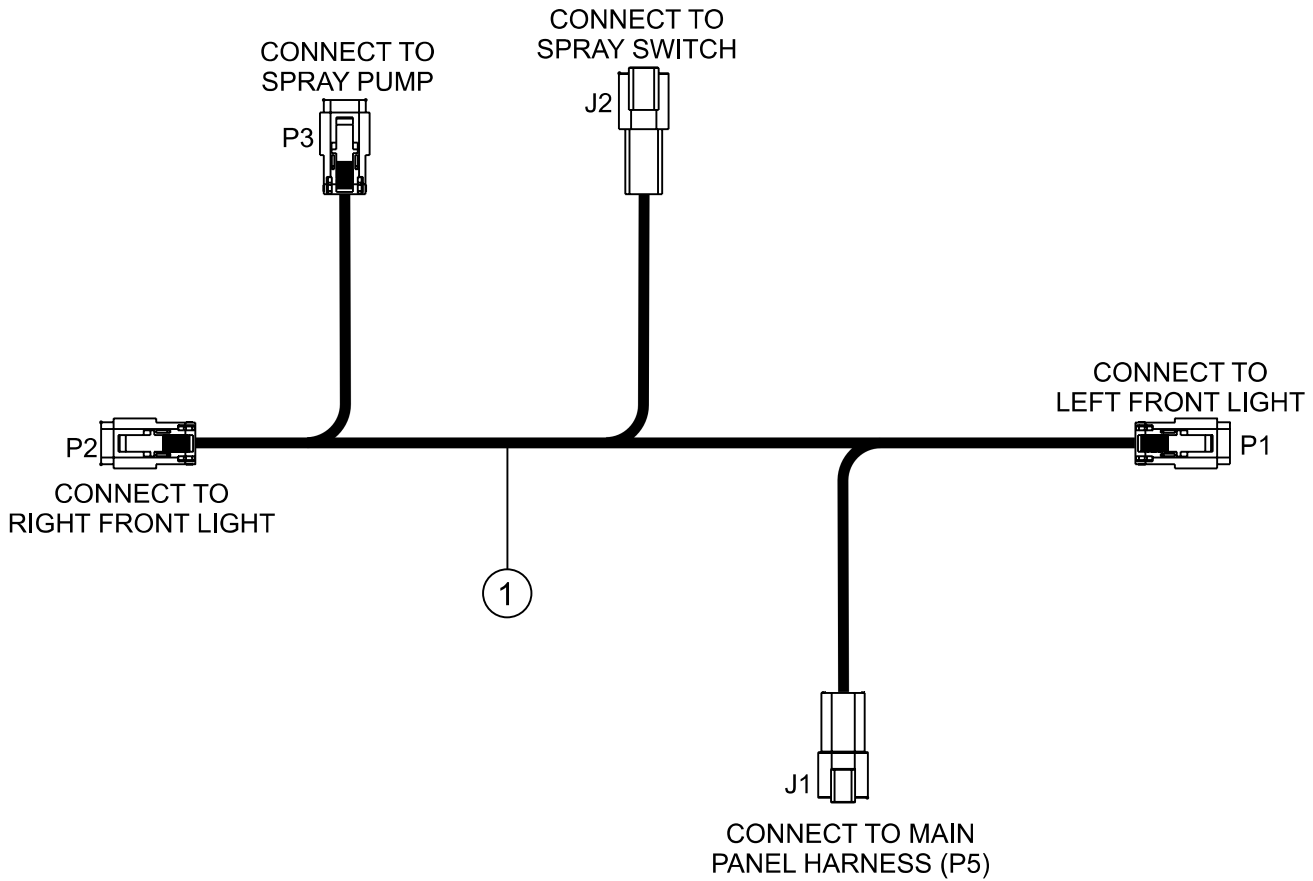
ITEM 22 SWITCH ASSY
 COMES WITH WIRES AND
 LOOM. TRIM WIRES TO
 INSTALL INTO ITEM 16.



SPRAY ASSY. (S/N NH0210361 AND ABOVE)

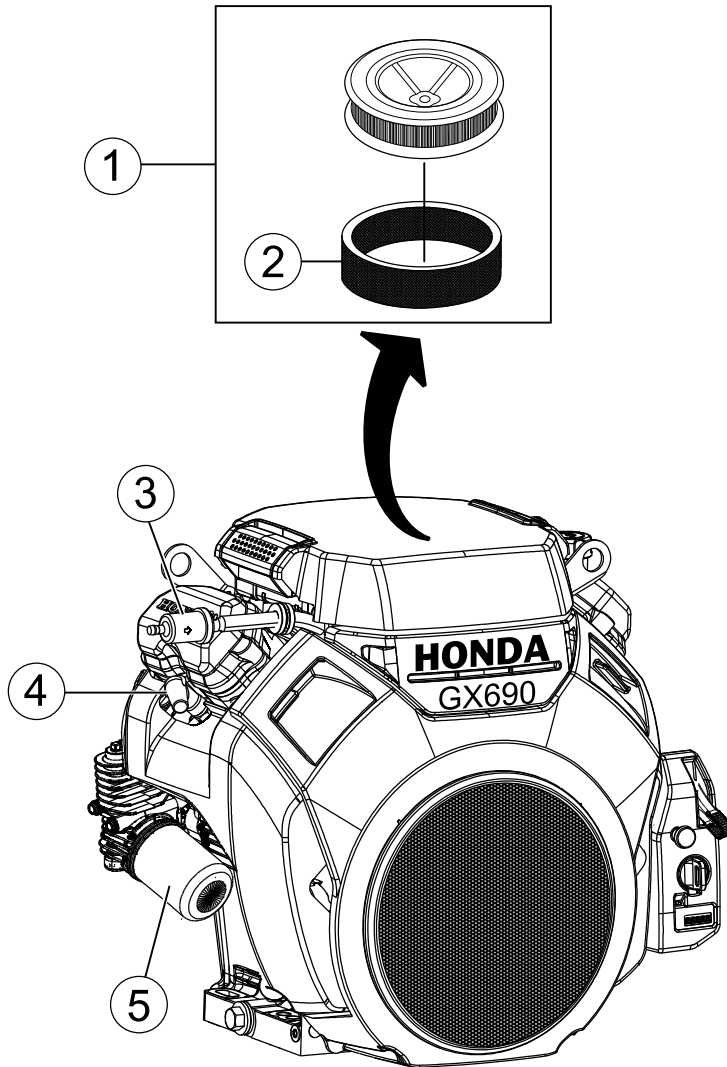
| <u>NO.</u> | <u>PART NO.</u> | <u>PART NAME</u> | <u>QTY.</u> | <u>REMARKS</u> |
|------------|-----------------|---|-------------|---------------------|
| 1 | 2398 | CLAMP, HOSE WORM #96 4.75" TO 6.50" | 2 | |
| 2 | 2478 | FITTING, PETCOCK RAD DRAIN 1/4MP | 1 | |
| 3 | 2898 | WASHER, BONDED NEOPRENE 1" X 1/2" | 1 | |
| 4 | 2912 | FITTING, BRASS 90 4BARB-1/4FP | 1 | |
| 5 | 2916 | WATER TANK | 1 | |
| 6 | 2918 | CLAMP, HOSE- PLASTIC .475 - .536 | 4 | |
| 7 | 2925 | FITTING, PLASTIC 90 6BARB 3/8 MP | 1 | |
| 8 | 2926 | SCREEN, STRAINER | 1 | |
| 9 | 8125 | CLAMP, HOSE 5/8" | 1 | |
| 10 | 10022 | FITTING, PLASTIC 6 BARB-4 BARB | 1 | |
| 11 | 30560 | PUMP, SPRAY W/CONNECTOR | 1 | |
| 12 | 23576 | MOUNTING BRACKET, SPRAY NOZZLE | 1 | |
| 13 | 23610 | CLIP, PUSH IN, .375 ID | 6 | |
| 14 | 23611 | GRIP, HANDLE W/ 5/8" HOLE..... | 1 | W/SPRAY OPTION ONLY |
| 15 | 2108 | CAP, SPRAY TANK | 1 | |
| 16 | 37403 | CONNECTOR KIT, DEUTSCH DT06-2S | 1 | |
| 17 | 49048 | SCREW, HHFS 1/4-20 x 3/4" GR5 | 1 | |
| 18 | 49070 | NUT, FLANGED 1/4-20 SERRATED PLTD | 1 | |
| 19 | 60001 | HOSE, PVC CLEAR .250 DIA. x .375 DIA., 4.5' | 5 | 1PC=1FT |
| 20 | 60002 | HOSE, PVC CLEAR .375 DIA. x .50 DIA., 1' | 1 | 1PC=1FT |
| 21 | 392292 | NOZZLE, SPRAY | 1 | |
| 22 | 30568 | SWITCH ASSY. W/WIRES AND LOOM | 1 | |
| 23 | 15177 | SCREW, PHP 10-32 x 1" | 4 | |
| 24 | 10019 | NUT, NYLOC 10-32 | 4 | |
| 25 | 2203 | WASHER, FLAT, #10 | 4 | |

HARNES ASSY.



HARNES ASSY.

| <u>NO.</u> | <u>PART NO.</u> | <u>PART NAME</u> | <u>QTY.</u> | <u>REMARKS</u> |
|------------|-----------------|--------------------|-------------|----------------|
| 1 | 23542 | HARNES, MAIN FRAME | 1 | |
| 2 | 23541 | HARNES, SEAT FRAME | 1 | |



ENGINE SERVICE PARTS

| <u>NO.</u> | <u>PART NO.</u> | <u>PART NAME</u> | <u>QTY.</u> | <u>REMARKS</u> |
|------------|-----------------|---------------------------------|-------------|--------------------------|
| 1 | 17210Z6L010 | ELEMENT COMP. AIR CLEANER | 1..... | INCLUDES ITEMS W/\$ |
| 2\$ | 17218Z6L000 | FILTER, OUTER AIR CLEANER | 1 | |
| 3 | 16910Z6L003 | FILTER, INLINE FUEL | 1 | |
| 4 | 980795587G | SPARK PLUG | 1 | |
| 5 | 15400PLMA01PE | CARTRIDGE, OIL FILTER | 1..... | REPLACES P/N 15400RTA004 |