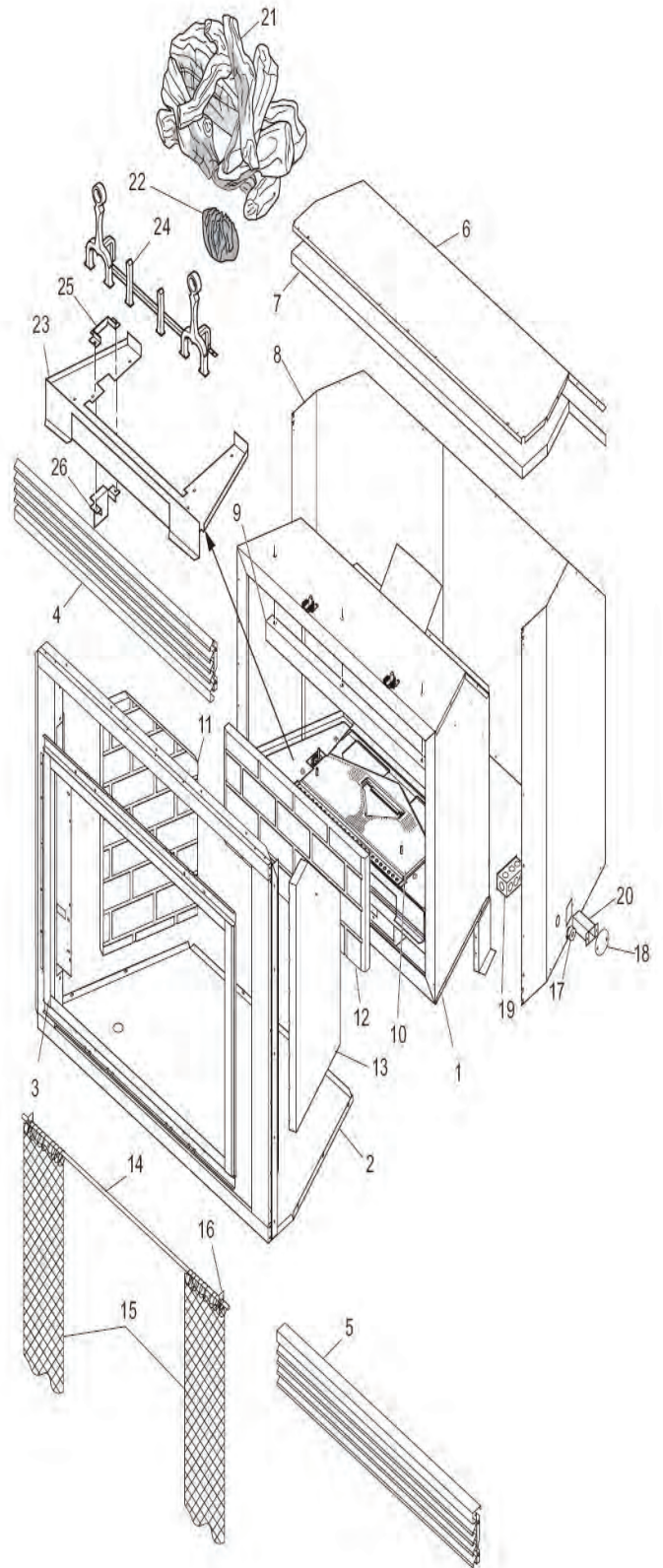


FMI Chateau 36" Direct Vent Firebox

MODELS: KC36N, KC36P, KC36NH, KC36PH, KC36NE, KC36PE, KC36NHE, KC36PHE

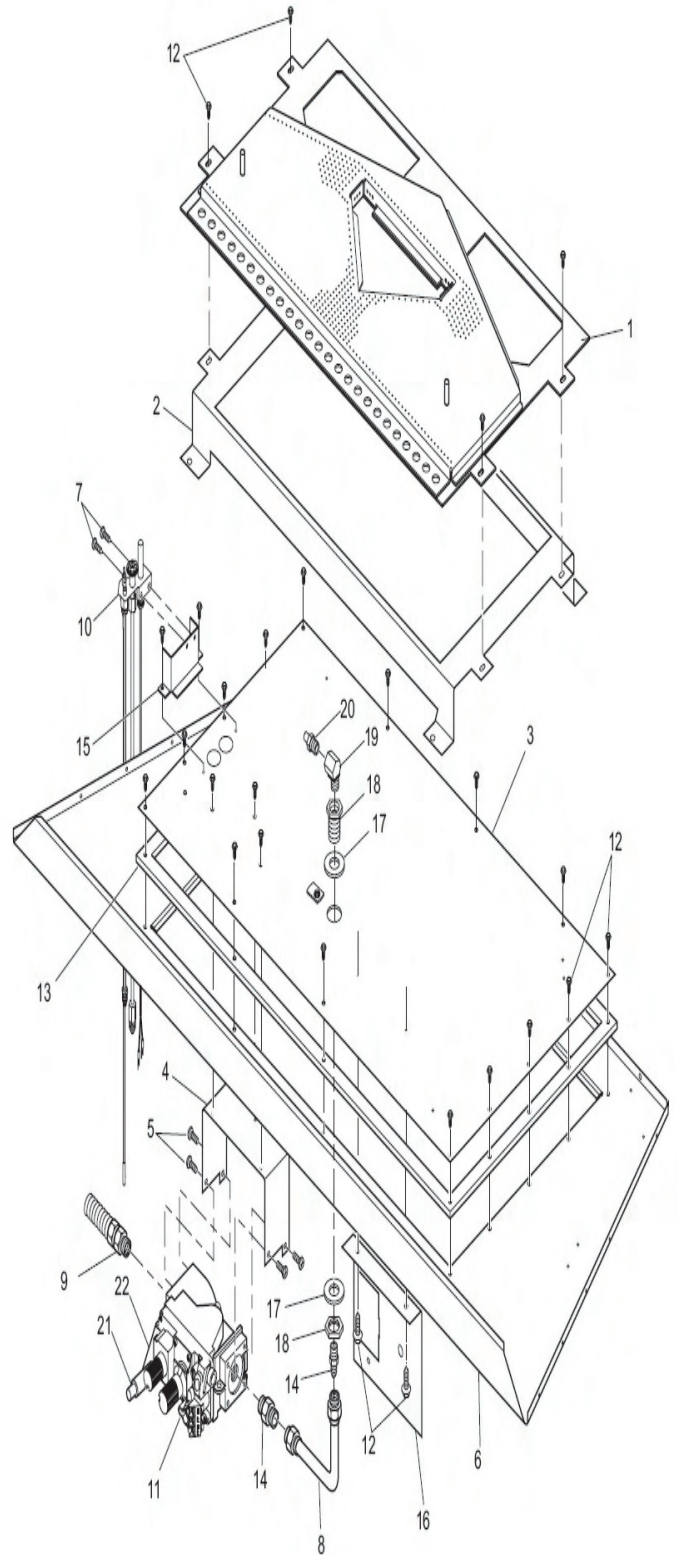
	Part Number	Description
1	**	Firebox Assembly
2	**	Face Weldment
3	108010-01	Door Assembly
4	108011-01	Top Louver Assembly
5	108011-02	Bottom Louver Assembly
6	**	Fireplace Top
7	**	Fireplace Top Insulation
8	**	Fireplace Surround
9	109082-01	Heat Shield
10	116541-01	Burner Assembly NG
	116541-02	Burner Assembly LP
	116541-05	Burner Assembly High Altitude
11	110989-02	Left Refractory Stacked
	111215-02	Left Refractory Herringbone
12	110991-02	Rear Refractory Stacked
	111217-02	Rear Refractory Herringbone
13	110990-02	Right Refractory Stacked
	111216-02	Right Refractory Herringbone
14	108719-01	Screen Rod
15	12105	Screen
16	11418	Push-On Nut
17	14123	Strain Relief
18	21171	Gas Knock-Out Cover
19	24353	Handy Box Assembly
20	24460	Gas Conduit Assembly
21	116217-01	Log Set Assembly
22	116596-01	Ember Pod
23	116543-01	Plenum
24	111871-04	Andiron Assembly
25	118372-02	Top Pilot Shield
26	120945-02	Bottom Pilot Shield
PARTS AVAILABLE - NOT SHOWN		
	25487	Lava Rock/Bag Assembly
	110986-01	Air Baffle (Natural Gas Only)



FMI Chateau 36" Direct Vent Millivolt Burner Assembly

MODELS: KC36N, KC36P, KC36NH, KC36PH

	Part Number	Description
1	116212-01	Burner Pan Assembly
2	116538-01	Base Grate
3	**	Firebox Base Bottom
4	26808	Valve Bracket
5	11107	Screw, #10-32 x 1/4 Zinc
6	**	Firebox Bottom
7	11102	Screw, #8-32 x 3/8 Zinc
8	116572-01	Tubing Assembly
9	111288-02	Flex Gas Line
10	108084-02	Pilot Assembly NG
	108084-03	Pilot Assembly LP
	108084-05	Pilot Assembly (-HA Models)
11	14389	Natural Gas Valve
	14390	Propane/LP Gas Valve
	117370-01	Natural Gas High Altitude Valve
12	11165	Screw, #10 x 5/8 Zinc
13	**	Burner Base Gasket
14	14396	Brass Fitting
15	116345-01	Pilot Bracket
16	26827	Switch Bracket
17	116573-01	Flat Washer 7/8" ID x 2" OD
18	11214	Bulkhead Fitting with Washer
19	14296	Elbow 3/8"
20	116562-01	Burner Orifice #35 NG
	116564-01	Burner Orifice #51 LP
21	14492	Piezo Ignitor
22	14511	Piezo Bracket
PARTS AVAILABLE - NOT SHOWN		
	108085-03	Pilot Orifice #62(-HA Models Only)



FMI Chateau 36" Direct Vent Elec. Ign. Burner Assembly

MODELS: KC36NE, KC36PE, KC36NHE, KC36PHE

	Part Number	Description
1	116212-01	Burner Pan Assembly
2	116538-01	Base Grate
3	**	Bottom Firebox Base
4	26808	Valve Bracket
5	11107	Screw, #10-32 x 1/4 Zinc
6	**	Firebox Bottom
7	11102	Screw, #8-32 x 3/8 Zinc
8	116572-01	Aluminum Tubing Assembly
9	111288-02	Flex Gas Line
10	108866-01	Electric Pilot Assembly NG
	108866-02	Electric Pilot Assembly LP
11	14569	Electric Valve Assembly NG
	14570	Electric Valve Assembly LP
12	11165	Screw #10 x 5/8 Zinc
13	**	Burner Base Gasket
14	14396	Brass Fitting
15	116345-01	Pilot Bracket
16	26827	Switch Bracket
17	116573-01	Flat Washer, 7/8" ID x 1 1/4" OD
18	11214	Bulkhead Fitting with Washer
19	14296	Elbow, 3/8"
20	116562-01	Gas Orifice #35 NG
	116564-01	Gas Orifice #51 LP
21	11186	Screw, #8 x 32 x 1 Zinc
22	110286-01	Ignition Module
23	11147	Screw, 10-24 x 1/2 BLK
24	14129	Transformer, 24V Class 2
25	116659-01	Crimp-on Terminal Ring
26	108863-01	24" Supply Connect Plug
27	14149	Spade 1/4 F RT. Angle
28	14126	16 GA Green Wire
29	14134	18 GA Black Wire
30	14520	Spade 1/4 Female Connector
31	17223	Magnet
32	23416	Electronic Components Board
33	11201	Nut, 8-32 Hex Zinc

