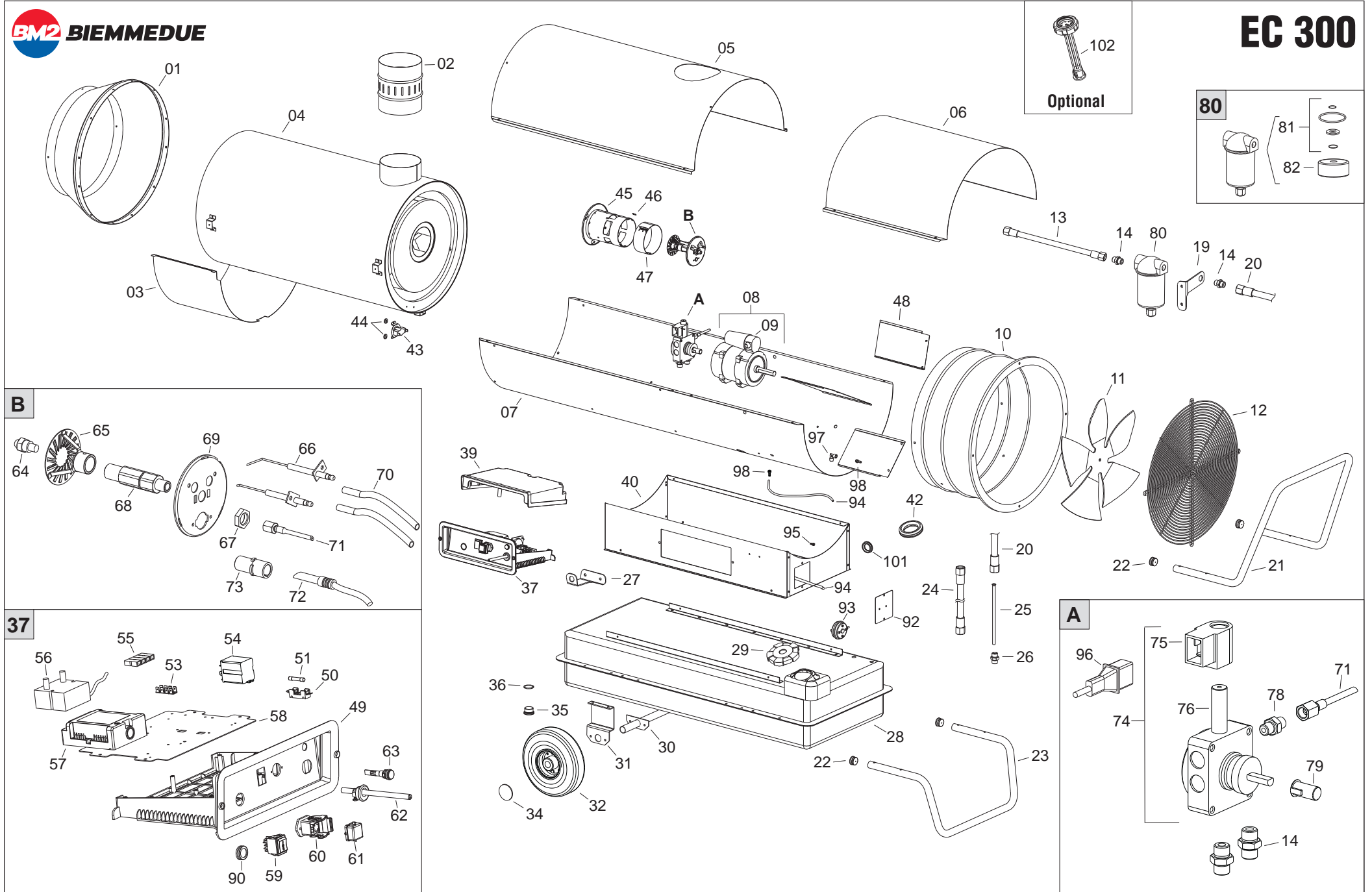




EC 300



Da matr. N. - De matr. No. - Von Masch. Nr. - From number:			EC 300	21301201		
Pos.	Cod.	€	LEGENDA	LEGENDE	NOMENKLATUR	PART LIST
01	G06114-3001		Cono diffusore	Embout conique	Ausblaskonus	Outlet cone
02	G06077		Raccordo camino Ø 150	Cheminée Ø 150	Kamin Ø 150	Chimney Ø 150
03	G06175		Protezione camera combustione	Protection chambre de combustion	Brennkammerabdeckblech	Combustion chamber support
04	G06177-09		Camera di combustione	Chambre de combustion	Brennkammer	Combustion chamber
05	G06413-3001		Scocca superiore	Carrosserie sup.	Haube	Upper body
06	G06122-3001		Coperchio ispezione	Porte visite	Inspektionsklappe	Cover inspection
07	G06179-3001		Scocca inferiore	Carrosserie Inf.	Karosserie Unterteil	Lower body
08	E10704-110		Motore 750W c/condens.	Moteur 750W avec condensateur	Motor 750W mit Kondensator	Motor 750W with condenser
09	E11249		Condensatore 80 µF	Condensateur 80 µF	Kondensator 80 µF	Condenser 80 µF
10	G06126-3001		Supporto motore ventola	Bride support moteur	Motor Flansch	Motor flange
11	T10261		Ventola Ø500 23°	Ventilateur Ø500 23°	Ventilator Ø500 23°	Fan Ø500 23°
12	P30129		Griglia aspirazione	Grille protection	Schutzgitter	Inlet grille
13	I40330		Tube BP 1/4" FF L.420 mm	Tube BP 1/4" FF L.420mm	Rohr BP 1/4" FF L.420mm	Tube BP 1/4" FF L.420mm
14	I20104		Nipplo FE 1/4" MM	Nipplo FE 1/4" MM	Nipplo FE 1/4" MM	Nipplo FE 1/4" MM
19	G06104-9005		Supporto filtro	Support	Stütze	Filter support
20	I40329		Tube BP 1/4" FF L.260mm	Tube BP 1/4" FF L.260mm	Rohr BP 1/4" FF L.260mm	Tube BP 1/4" FF L.260mm
21	P20176-9005		Maniglia	Poignée	Handgriff	Handle
22	C30355		Tappo copritesta Ø20	Bouchon Ø20	Gummifuss Ø20	Plug Ø20
23	P20177-9005		Piede	Pied	Fuß	Foot
24	I40331		Tube BP 1/4" F L.580 mm.	Tube BP 1/4" F L.580mm	Rohr BP 1/4" F L.580mm	Tube BP 1/4" F L.580mm
25	I30696		Pascante L.220mm	Pascante L.220mm	Pascante L.220mm	Pascante L.220mm
26	I30737		Nipplo OT 1/4" M - M12x1,75 M	Nipplo OT 1/4" M - M12x1,75 M	Nipplo OT 1/4" M - M12x1,75 M	Nipplo OT 1/4" M - M12x1,75 M
27	G06068-9005		Gancio cavo alimentazione	Crochet câble d'alimentation	Haken Netzkabel	Power lead hook
28	G06128-9005		Serbatoio gasolio 105 l	Réservoir fuel 105 l	Tank 105 l	Fuel tank 105 l
29	C30367		Tappo bocchettone	Bouchon	Pfropfen	Drain plug
30	G06129-9005		Assale	Essieu	Achse	Wheel axle
31	G06106-9005		Staffa su assale ruote	Support on essieu roues	Bügel auf der elektrische Achse	Wheels axle support
32	C10546		Ruota Ø 260 - Ø 25	Roue Ø 260 - Ø 25	Rad Ø 260 - Ø 25	Wheel Ø 260 - Ø 25
33	M20202		Rondella elastica Ø25	Rondelle élastique Ø25	Abstandsring Ø25	Spring washer Ø25
35	I25020		Tappo Serbatoio M16x1,5	Bouchon de vidange	Ablass Propfen Oel	Drain plug
36	C30375		OR Ø16 x 2,62	OR Ø16 x 2,62	OR Ø16 x 2,62	OR Ø16 x 2,62
37	G00248		Quadro elettrico	Coffret électrique	Elektrokasten	El. componets drawer
39	P50127		Copertura quadro elettrico	Couverture coffret électrique	Abdeckung Schaltofel	Control box cover
40	G06414-3001		Basamento	Base	Kastenträger	Base
42	C30372		Passatubo gomma Ø 35	Prot. caoutchouc Ø 35	Kabeltülle Ø 35	Protection cable Ø 35
43	E50102		Capsula termostatica Limit	Thermostat bilame Limit	Thermostat Limit	Limit Thermostat
44	M20107		Rondella Ø5 x Ø15 x 1,5	Rondelle Ø5 x Ø15 x 1,5	Abstandsring Ø5 x Ø15 x 1,5	Washer Ø5 x Ø15 x 1,5
45	G06266		Boccaglio	Gueulard	Brennrohr	Blast tube
46	E20671		Morsettiera terra	Barrette de connection	Klemmreiche	Terminal board
47	G06183		Anello regolazione aria	Volet réglage air	Brennluftklappe	Air regulatoin flap
48	G06394		Convogliatore aria	Défecteur d'air	Luftleitblech	Air flap
49	G06153		Supporto quadro elettrico	Support coffret électrique	Steuergeräthalerung	Electr. componets drawer
50	E20508		Porta fusibile	Porte fusible	Sicherungschalter	Fuse holder
51	E10313		Fusibile vetro (6x30) 20A	Fusible (6x30) 20A	Sicherung (6x30) 20A	Fuse (6x30) 20A
53	E20319		Morsettiera terra	Barrette de connection	Klemmreiche	Terminal board
54	E11125		Relè Finder 65.31 AC	Relais Finder 65.31 AC	Relais Finder 65.31 AC	Relay Finder 65.31 AC
55	E20305		Morsettiera	Barrette de connection	Klemmreiche	Terminal board
56	E10930		Trasformatore A.T. BRAHMA	Transformateur H.T. BRAHMA	Zündtrafo H.T. BRAHMA	Transformer H.T. BRAHMA
57	E40124		Apparecchiatura BRAHMA TGRD 91 120V	Coffret BRAHMA TGRD 91 120V	Steuergerät BRAHMA TGRD 91 120V	Control box BRAHMA TGRD 91 120V
58	G06073		Piastra supporto elementi elettrici	Plaqu support	Tragplatte für elektrische Teile	Plate for electrical components

Da matr. N. - De matr. No. - Von Masch. Nr. - From number:			EC 300	21301201		
Pos.	Cod.	€	LEGENDA	LEGENDE	NOMENKLATUR	PART LIST
59	E10102-P		Interruttore bipolare 0 - 1	Interrupteur 0 - 1	Schalter 0 - 1	Switch 0 - 1
60	E20640		Connettore presa 3P+T	Fiche thermostat 3P+T	Thermostat stecker 3P+T	Thermostat plug 3P+T
61	E20665		Tappo	Bouchon	Pfropfen	Drain plug
62	E30443		Cavo elettrico c/spina e pressacavo	Câble avec fiche et presse câble	Kabel mit steckdose und kabelpresse	El. wire with plug and cable fastener
63	E11030		Lampada 230V	Lampe 230V	Kontrolllampe 230V	Lamp 230V
64	T20356		Ugello 1,50 GPH 80°W	Gicleur 1,50 GPH 80°W	Düse 1,50 GPH 80°W	Nozzle 1,50 GPH 80°W
65	G01077		Deflettore centrato	Accroche flamme	Stauscheibe	Turbo disc
66	E10215		Elettrodo c/piastrina	Électrode	Elektrode	Electrode
67	I31034		Controdado OT. M14	Ecrou M14	Mutter M14	Nut M14
68	I33005		Cannotto portaugello	Support gicleur	Düsehalter	Nozzle support
69	G06228		Flangia supp. Bruciatore Ø 102mm	Bride Brûleur Ø 102mm	Brenner Flansch Ø 102mm	Burner flange Ø 102mm
70	G02078		Cavo A.T. L.1000m	Conn. câble 90°H.T.	H.S. Anschluß 90°	H.T. Cable connect. 90°
71	I40192		Microtubo	Microtube	Microschlauch	Micropipe
72	E50328		Fotoresistenza FC13	Photoresis. FC13	Fotozelle FC13	Ld ph. Unit FC13
73	E50327		Protezione fotoresistenza	Photoresistance protection	Photozellenschutz	Protection de la photoresistance
74	T20411-1		Pompa BFPC21 R5 Danfoss	Pompe BFPC21 R5 Danfoss	Pumpe BFPC21 R5 Danfoss	Pump BFPC21 R5 Danfoss
75	T20118		Bobina E.V. Danfoss	Bobine E.V. Danfoss	Spule Danfoss	Solenoid spool Danfoss
76	T20117		Corpo E.V. Danfoss	Electrovanne Danfoss	Magnetventil Danfoss	Solenoid valve Danfoss
78	I20115		Nipplo FE 1/8" MM	Nipplo FE 1/8" MM	Nipplo FE 1/8" MM	Nipplo FE 1/8" MM
79	E10514		Giunto Pl. mot.-pompa K2	Accouplement Pl. K2	PlastikKuplung K2	Coupling K2
80	T20239		Filtro gasolio c/preriscaldamento 1/4"	Filtre pre-chauffage 1/4"	Heizölvorwärmfilter 1/4"	Oil pre-heaters filter 1/4"
81	T20241		Kit OR filtro gasolio	KIT OR filtre gasoil	Kit OR heizölfilter	OR KIToil filter
82	T20242		Cartuccia filtro	Cartouche filtre	Filterelement	Filter cartridge
90	E20418		Protezione pulsante blocco	Protection bouton d'arrêt	Blockierschalterschutz	Stop button protection
92	G06406-3001		Supporto pressostato	Switch Support	Druckschalterhalterung	Support du pressostat
93	E50440		Pressostato 100Pa	100 Pa switch	100 Pa Druckschalter	Presostat 100 Pa
94	I40335		Tubo silicone Ø4x8 (a metri)	Tuyau en silicone Ø4x8	Silikonöhre Ø4x8	Silicone pipe Ø4x8
95	I31131		Raccordo diritto Ø6	Raccord droit Ø6	Anschluss Ø6	Conn. Straight Ø6
96	T20442		Cavo elettrovalvola	Cable electrovanne	Anschlußkabel für Magnetventil	Solenoid valve cable
97	I20325-1		Gomito 1/8"	Coude 1/8"	Eckanschluss 1/8"	Connection 1/8"
98	I31130		Raccordo diritto Ø6 1/8"	Raccord droit Ø6 1/8"	Anschluss Ø6 1/8"	Conn. Straight Ø6 1/8"
101	C30323		Passacavo Ø 20	Protection cable Ø 20	Kabeltülle Ø 10	Cable protection Ø 10
102	02AC508		Tappo con controllo di livello L=215	Bouchon avec contrôle de niveau L=215	Propfen mit Höhenkontrolle L=215	Plug with level control L=215