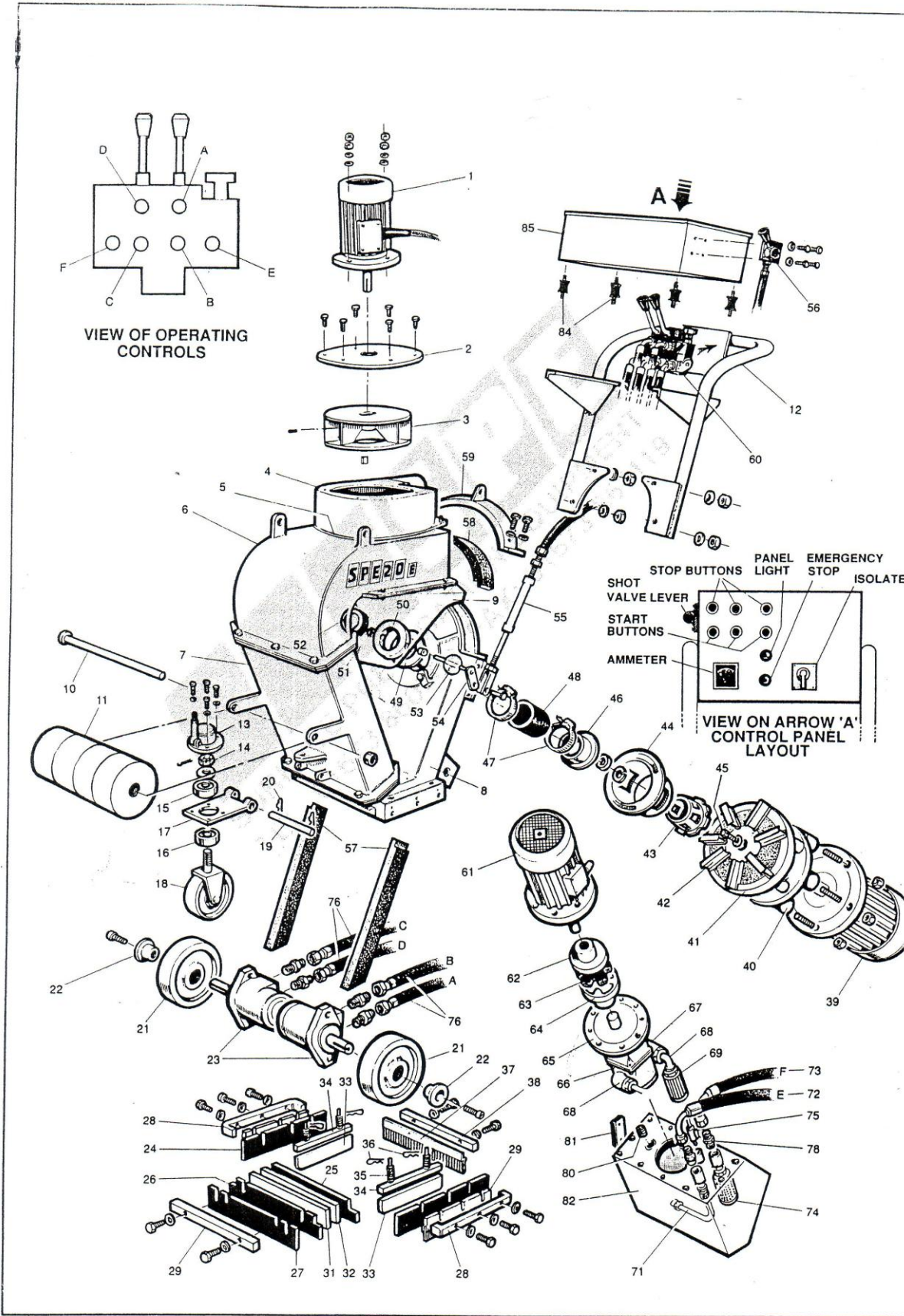


# **SPE20ES**

## Operating Manual



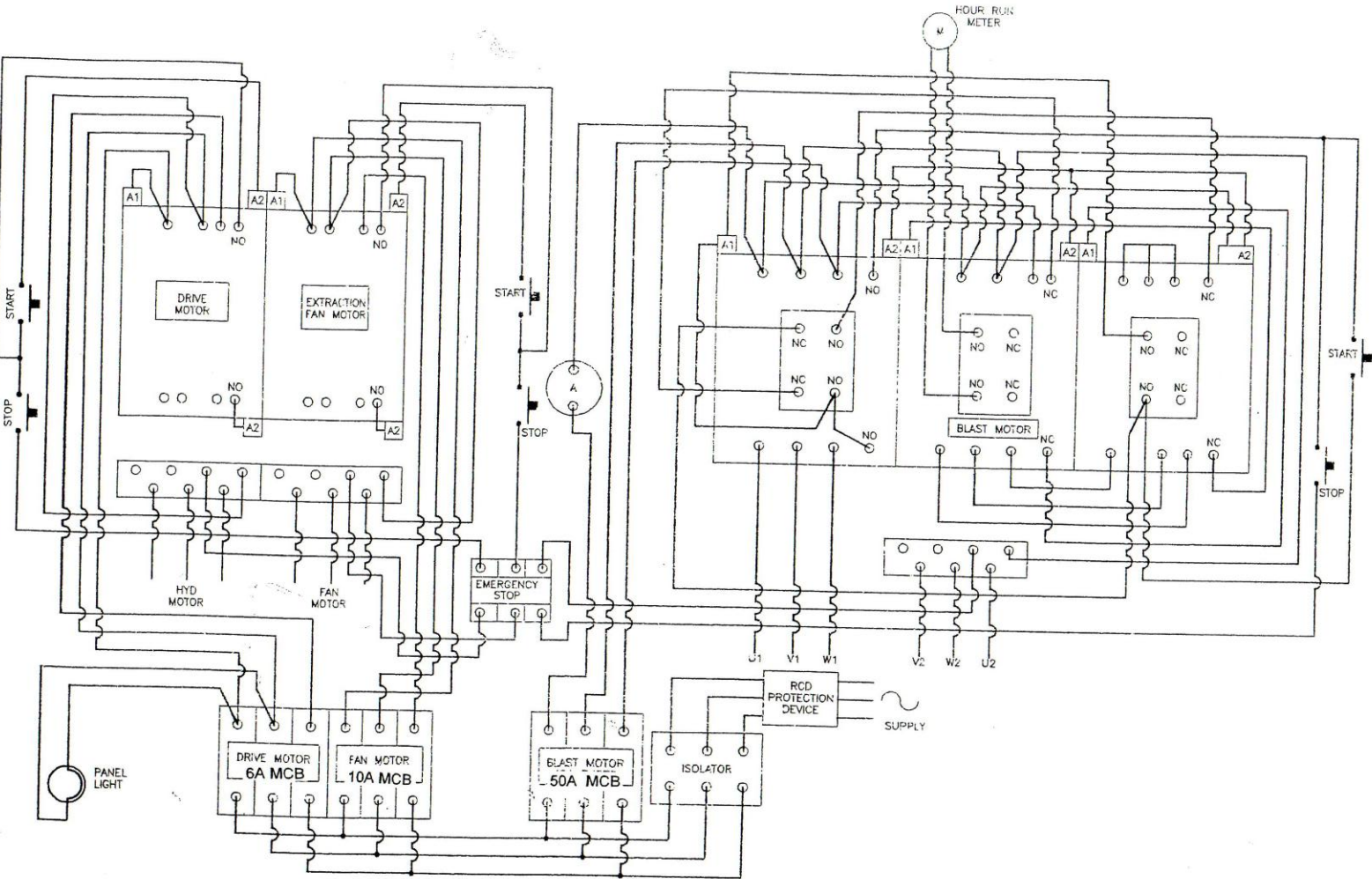


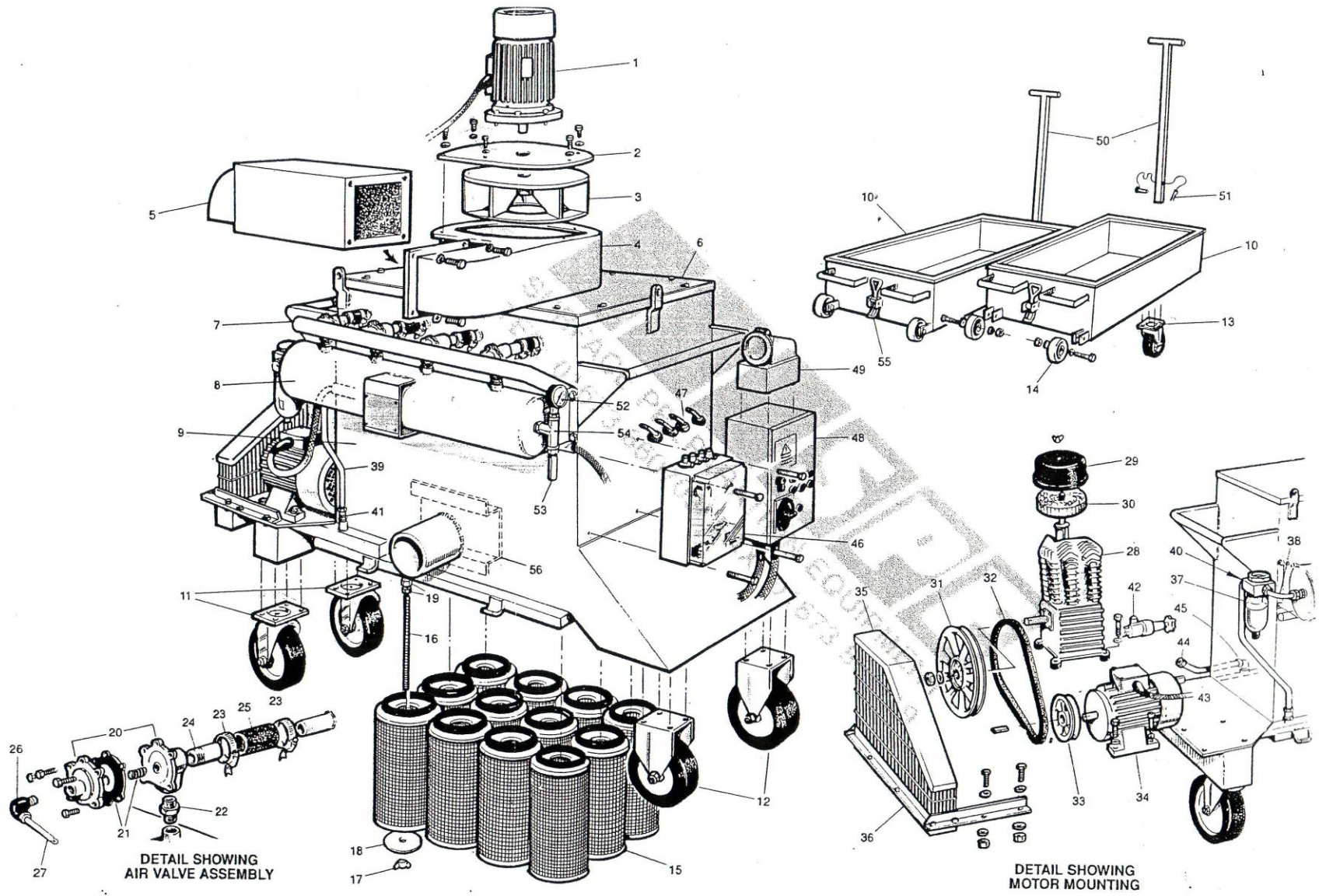


**SPE20ES**  
Operating Manual

Fig no	Part no	Description	Fig no	Part no	Description
1	05003	Fan motor	45	02004	Impellor bolt & spring washer
2	01031	Fan casing top plate	46	03022	Feed spout (cage end)
3	01033	Fan impellor	47	03026	Hose clip (2)
4	01030	Fan casing	48	03027	Shot tube
5	01032	Fan casing bottom plate	49	03023	Feed spout (hopper end)
6	01002	Separator unit	50	08046	Shot valve body
7	01001	Reclaim housing	51	08047	Oilite bush (2)
8	01000	Blast catsinet	52	08045	Shot valve line
9	01003	Abrasive hopper	53	08044	Shot valve butterfly
10	01042	Balance weight support pin	54	03025	Shot valve spindle
11	01023	Balance Weights (4)	55	08043A	Shot valve control cable
12	01043	Handle	56	08042	Shot valve control lever
13	07022	Hub	57	03000	R/H Side liner
14	07033	Castleated nut		03001	L/H Side liner
15	07021	Bearing upper	58	03002	Hood liner
16	07032	Bearing lower	59	03028	Hood liner cover
17	01045	Front wheel support plate	60	09010	Steering & speed control valve
18	01018	Front wheel	61	05006	Pump motor
18A	01019	Stub axle	62	02012	Motor coupling
19	01046	Support plate pivot pin	63	02011	Coupling spider
20	08051	Retaining clip (2)	64	02013	Pump coupling
21	01025	Drive wheel (2)	65	09055	Bell housing
22	07035	Retaining hub (2)	66	09042	Hydraulic pump
23	09009	Wheel motor (2)	67	09056	Port connector (inlet)
24	03007	Side skirt seal (2)	68	09057	Port connector (outlet)
25	03004	Inner front seal (2)	69	04006	Filter (in tank suction)
26	03005	Intermediate front seal	70	04022	Elbow
27	03006	Outer front seal	71	04023	Pipe (port connector to tank lid)
28	01015	Side brush & seal retaining bar	72	04015	Hydraulic hose (tank to control valve)
29	03010	Side brush (2)	73	04016	Hydraulic hose (return, valve to tank)
30	01016	Front seal retaining bar (outer)	74	09011	Diffuser (in tank return)
31	01047	Inner seal retaining bar (drilled)	75	09008	Tank breather tap
32	01048	Inner seal retaining bar (plain)	76	04014	Hydraulic hose (4) (wheel motor)
33	03003	Steel side seal (2)	77	09058	½" B.S.P M-M adaptor (10)
34	01013	Tension bar (2)	78	09061	¾" B.S.P M-M adaptor
35	01014	Side seal spring (4)	79	09059	¾" x ½" B.S.P M-M adaptor
36	08051	Retaining pin (4)	80	04024	Tank filter plug
37	03009	Rear brush	81	09007	Sight level gauge
38	01049	Rear brush retaining bar	82	04025	Hydraulic tank
39	05000	Blast motor	83	01044	Handle mounting bar
40	05027	Blast motor mounting plate	84	05028	Electric panel rubber mount (4)
41	02000	Blast wheel	85	05009	Electric control panel
42	02001	Blast wheel blades (7 per set)		0200	Crank
43	02003	Impellor		0213	Bearing shell
44	02002	Control cage		0221	Oil ring
				0199	Conn rod

This drawing should not be used, copied, shown or handed to a third party without the prior written consent of SPE International Ltd.





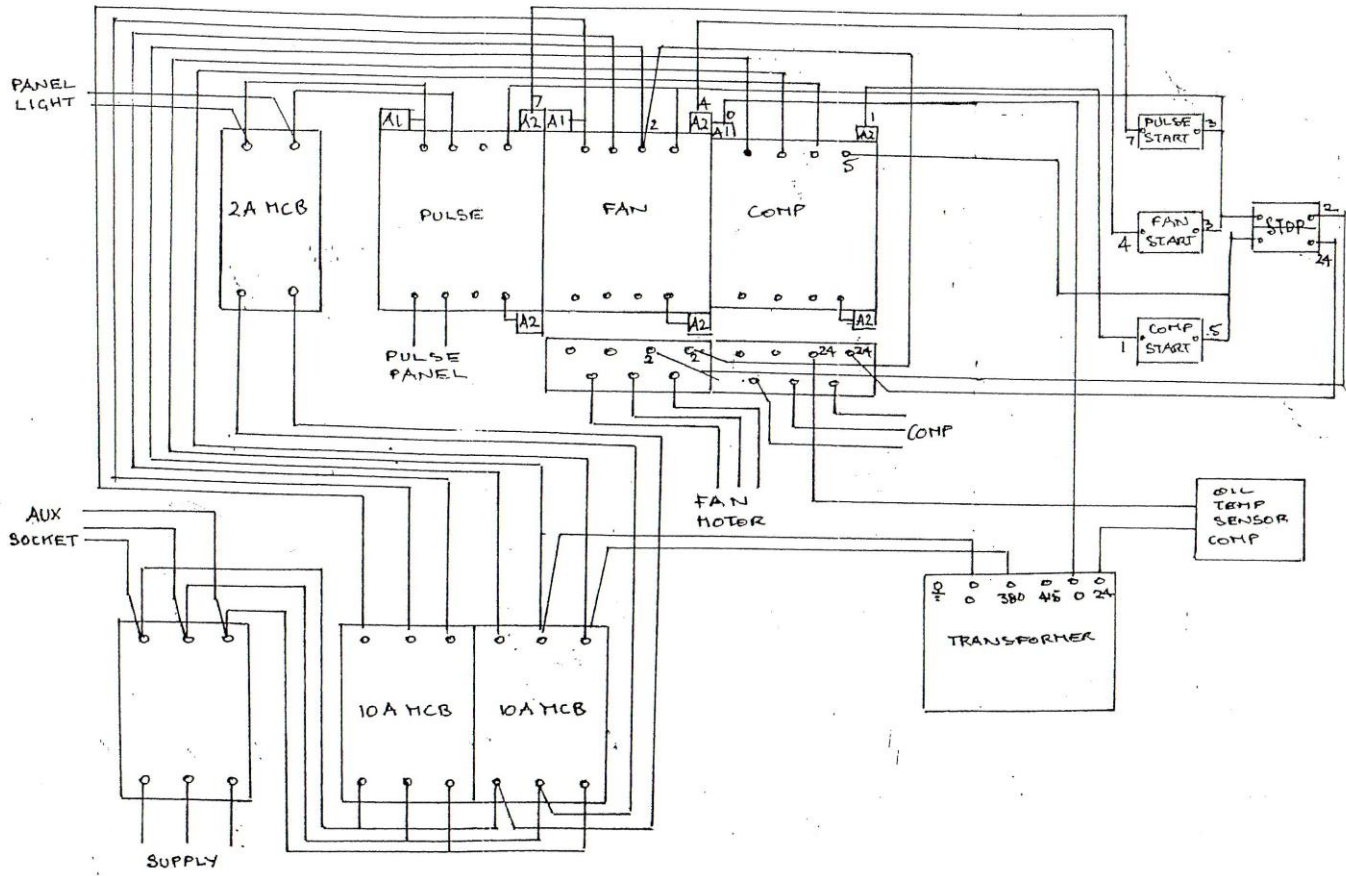
DETAIL SHOWING AIR VALVE ASSEMBLY

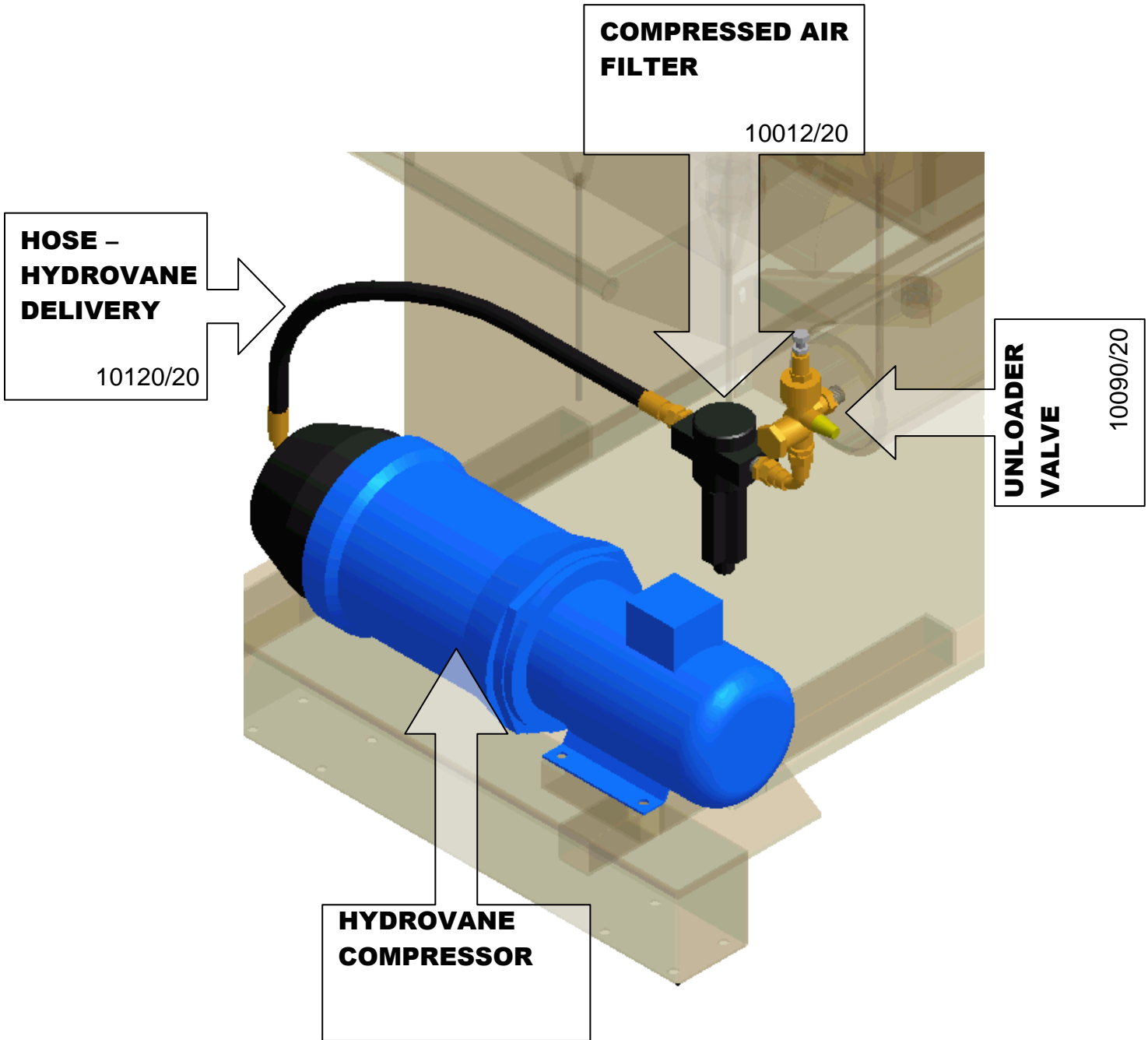
DETAIL SHOWING MOTOR MOUNTING

## 20DCCS

Fig no	Part no	Description	Fig no	Part no	Description
1	10059	Fan motor	45	10088	Fitting (pipe to tank)
2	01031	Fan casing top plate	46	10054	Pulse panel
3	10058	Impellor	47	10093	Push-in connector (4)
4	10057	Fan casing	48	10055	Electric control panel
5	10065	Silencer	49	10094	Electric socket
6	10100	Lid	50	10112	Handle (2)
7	10102	Guard	51	10096	Pin and clip assy (2)
8	10068	Air receiver	52	10097	Pressure gauge
9	10103	Main body	53	10013	Pressure relief valve
10	10104	Dust tray (2)	54	10098	Tee piece
11	10050	Castor wheel (2)	55	10064	Over centre clips (4)
12	10051	Fixed wheel (2)	56	10113	Internal baffle plate
13	10052	Castor wheel (2)			
14	06006	Fixed wheel (2)			
15	10056	Filter element (12)			
16	10070	Threaded rod (12)			
17	10071	Wing nut (12)			
18	10072	Flat washer (12)			
19	10073	Hex nut (24)			
20	10036	Diaphragm valve (4)			
21	10037	Valve repair kit			
22	10074	Connector (4)			
23	10075	Clip (8)			
24	10076	Hose connector (4)			
25	10077	Hose (4)			
26	10078	Push-in connector (4)			
27	10079	Semi rigid piping			
28	10105	Compressor pump			
29	10080	Air filter assy			
30	10081	Filter element			
31	10106	Flywheel			
32	10107	Drive belt			
33	10108	Pulley			
34	10109	Compressor motor			
35	10110	Guard upper			
36	10111	Guard lower			
37	10012	Compressed air filter			
38	10086	Elbow			
39	10087	Copper pipe			
40	10088	Fitting (pipe to filter)			
41	10089	Fitting (pipe to tank)			
42	10090	Unloader valve			
43	10091	Copper pipe			
44	10092	Fitting (pipe to valve)			

**20DC**





**SPE 20 DCCs**

Hydrovane Adaptation



## SPECIFICATION SHEET

Specification 20ES Blast Machine	
Type	Electric 3 Phase
Part No.	SPE 20ES
Standard Blast Motor hp	30
Voltage	380/415
Cycles	60
Cleaning Width (mm)	520
Machine Dimensions (mm)	
Width	597
Height	1448
Length	1511
Weight (kg)	662

Specification 20ES Dust Collector	
Type	Electric 3 Phase
Part No.	SPE 20 D/C
Voltage	380/415
Cycles	60
Machine Dimensions (mm)	
Width	1030
Height	1600
Length	1730
Weight (kg)	400