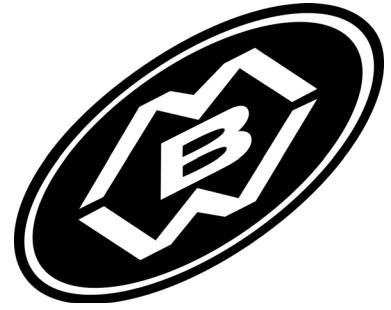


OPERATOR'S SAFETY AND SERVICE MANUAL



MVW11

This manual covers the following serial numbers
and higher for each model listed:

MVW11.....1490001



BOOM MOUNTED VIBRATORY WHEELS

MBW, Inc.
250 Hartford Rd • PO Box 440
Slinger, WI 53086-0440
Phone: (262) 644-5234
Fax: (262) 644-5169
Email: mbw@mbw.com
Website: www.mbw.com

MBW (UK) Ltd.
Units 2&3 Cochrane Street
Bolton BL3 6BN
England, UK
Phone: 44 (0) 01204 387784
Fax: 44 (0) 01204 387797
E-mail: mbwuk@btinternet.com

MBW FRANCE S.A.R.L.
Phone: +33 (0) 3 44 07 15 96
Fax: +33 (0) 3 44 07 41 28

L21827 / 11.18.A
©MBW, Inc. 2018
Printed in the USA

OPERATING INSTRUCTIONS

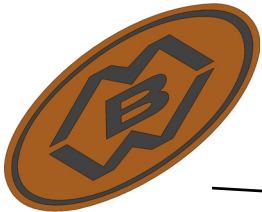
1. Back pressure in return lines **MUST NOT EXCEED 200 PSI.**
2. Hydraulic Requirements:
 Pressure 1500 psi minimum
 Volume 10-50 gpm
3. Check for loose hardware after every 20 hours of operation.
4. Do not run exciter when attachment is not in contact of backfill.
5. Not recommended for use on excavators over 14,000 lbs.

21830

21830



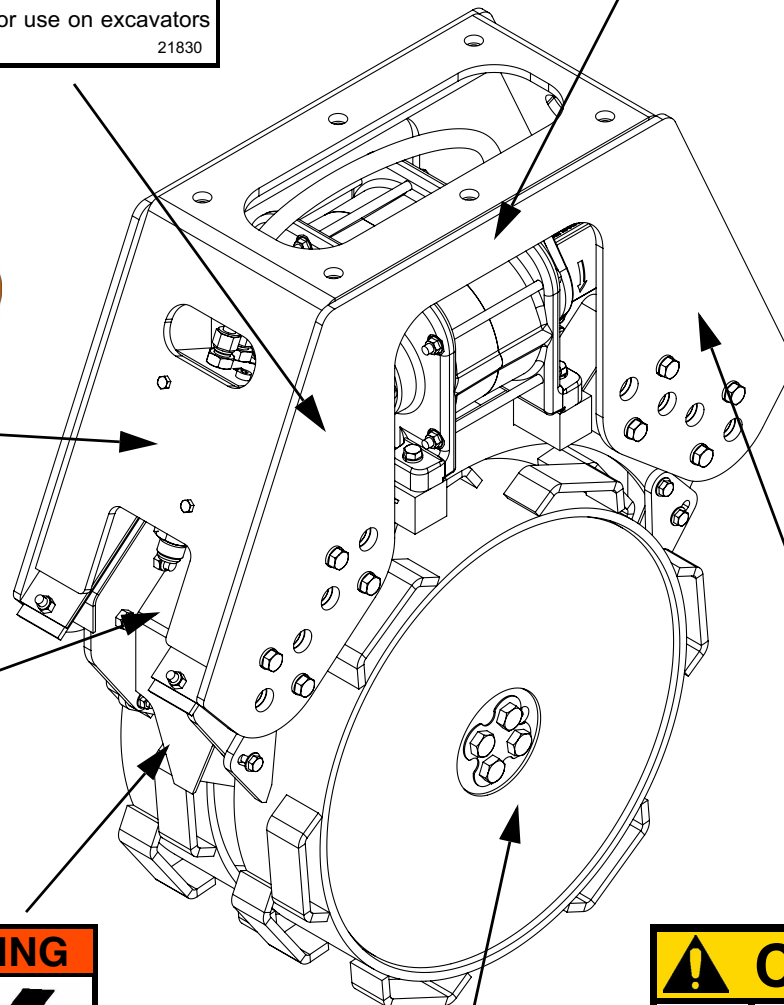
21829



21139

WARNING
 Operating, servicing and maintaining this equipment can expose you to chemicals, including engine exhaust, phthalates and lead, which are known to the state of California to cause cancer and birth defects or other reproductive harm. Avoid breathing engine exhaust. Do not operate equipment in confined areas. For more information go to www.P65Warnings.ca.gov

21820



WARNING

 MOVING PARTS CAN CRUSH AND CUT
 STAY CLEAR OF MOVING PARTS

13019

NOTICE
 Premature wear may occur if preventive maintenance is not performed.
 GREASE DRUM HUBS DAILY.

19179

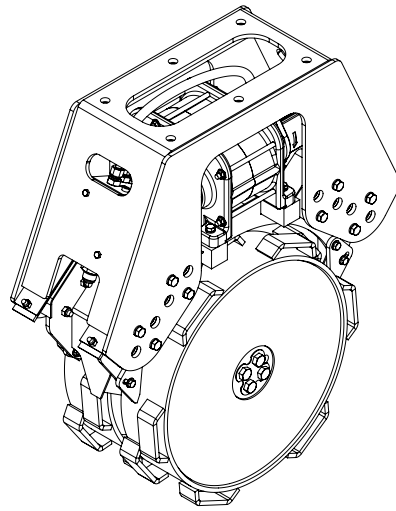
CAUTION

 Machine may fall and cause damage or injury if lifted improperly.
 When lifting, attach proper safety chains through top frame.
 Weight~ #660 (300kg)

21831

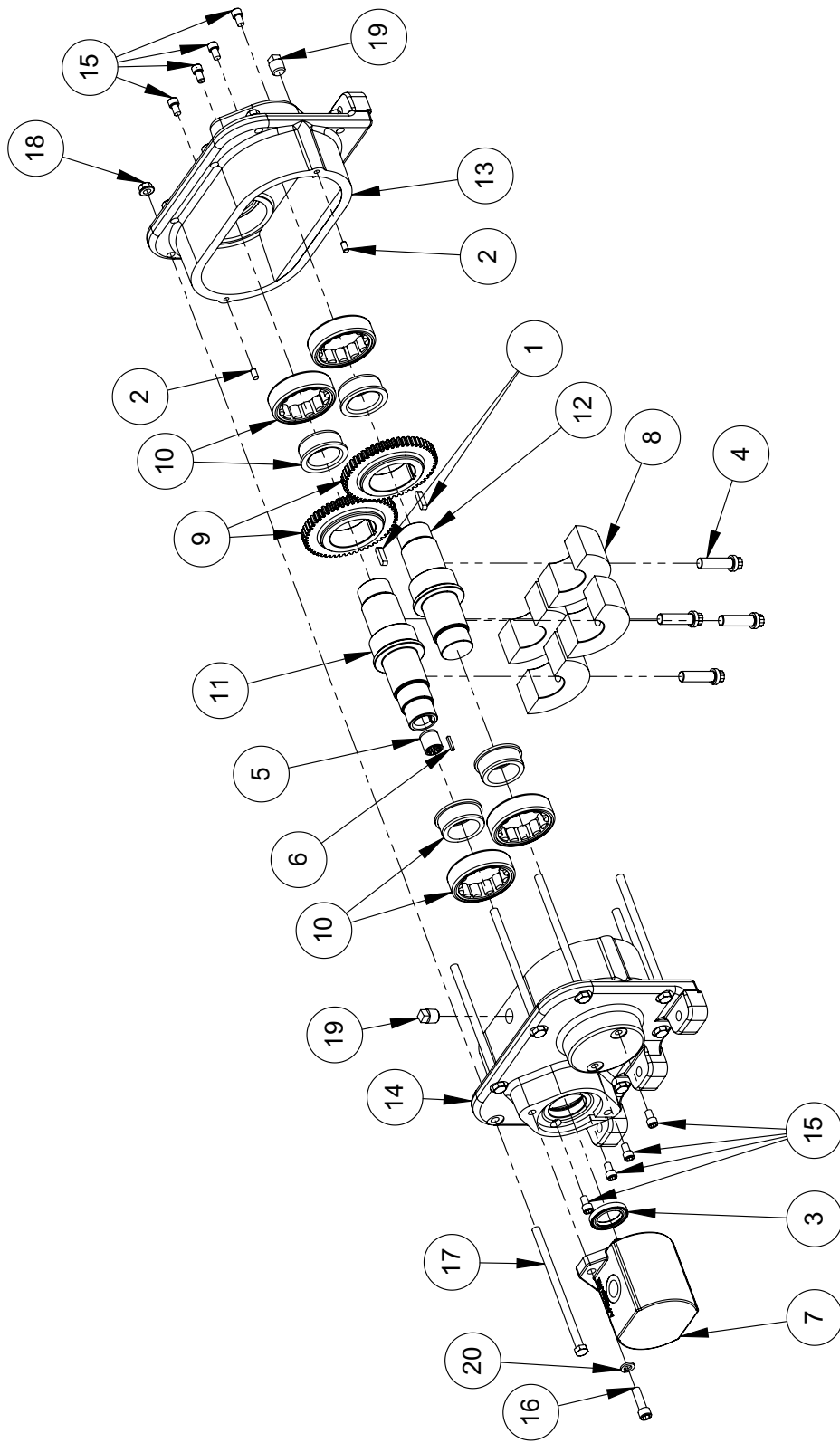
Safety Decals

SPECIFICATIONS

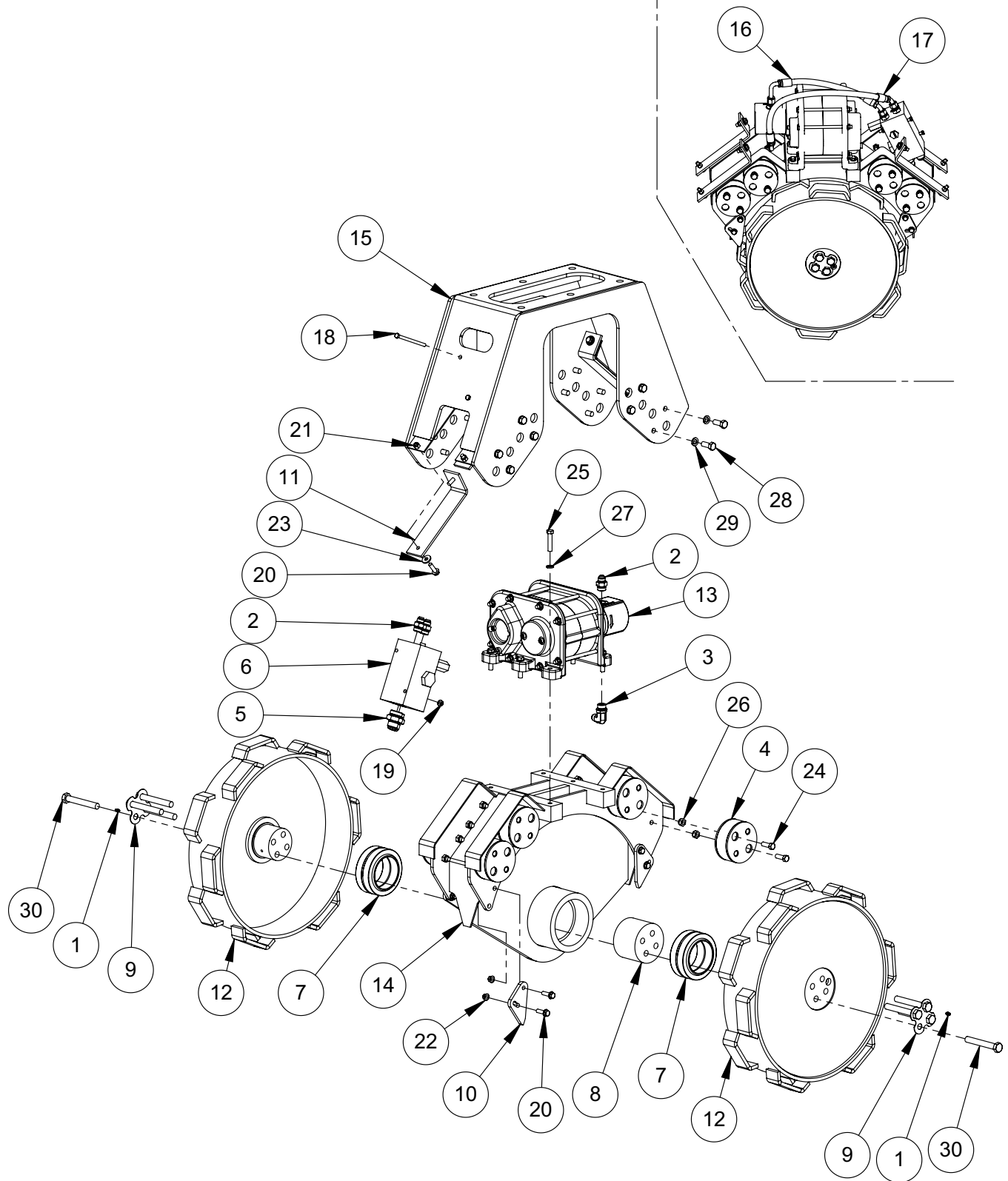


	MVW11
Weight	660 LBS (300KG)
Width	11" (280mm)
Height	36" (910MM)
Length	32" (810 MM)
Exciter speed	3000 rpm
Centrifugal Force	2780 lbf (12.4 KN)
Hydraulic Requirements	
Volume	10-50 gpm (38-189 lpm)
Minimum pressure	1500 psi

Specifications subject to change without notice



Exciter Assembly



Roller Assembly

