

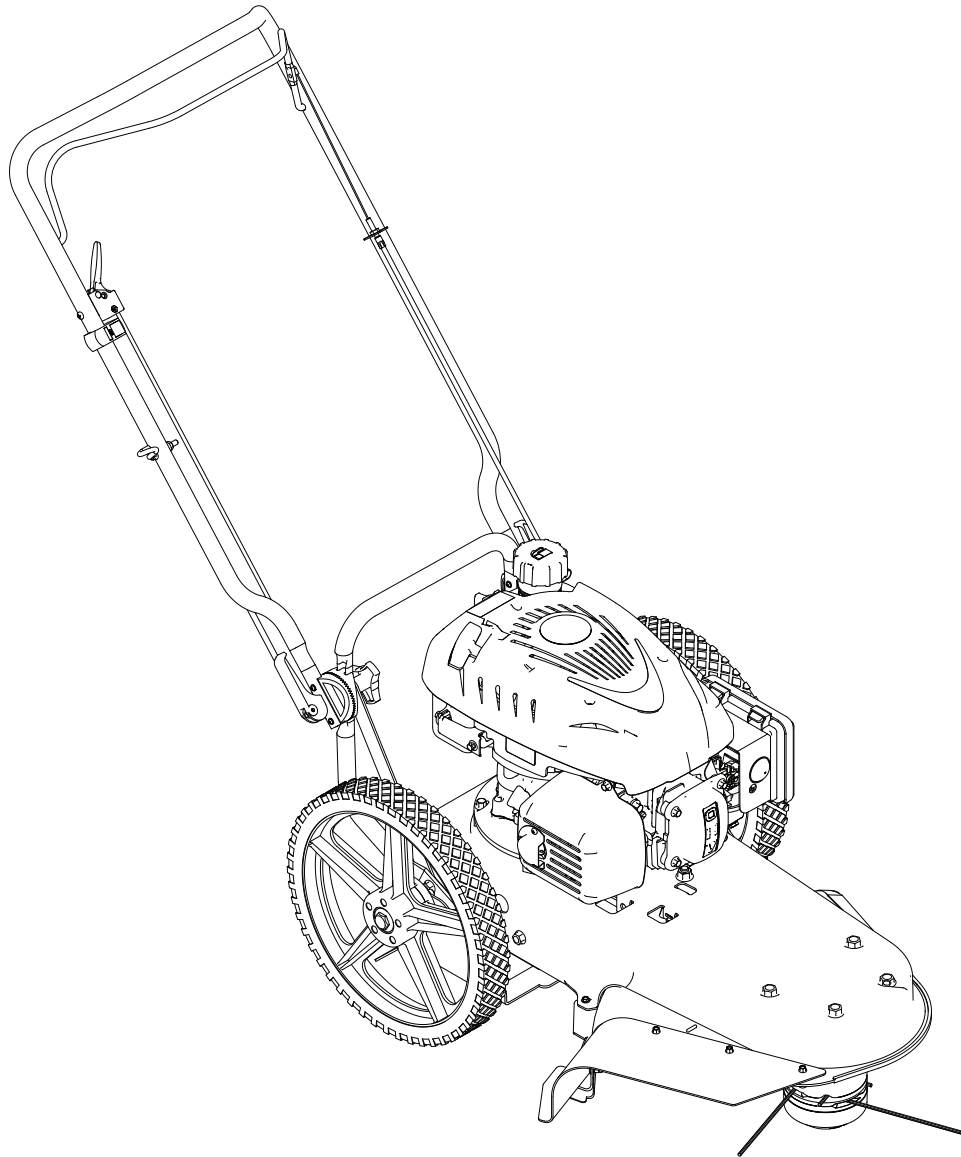


FIELDS EDGE™

STRING MOWERS

Operator's Manual
String Mower M220

SN



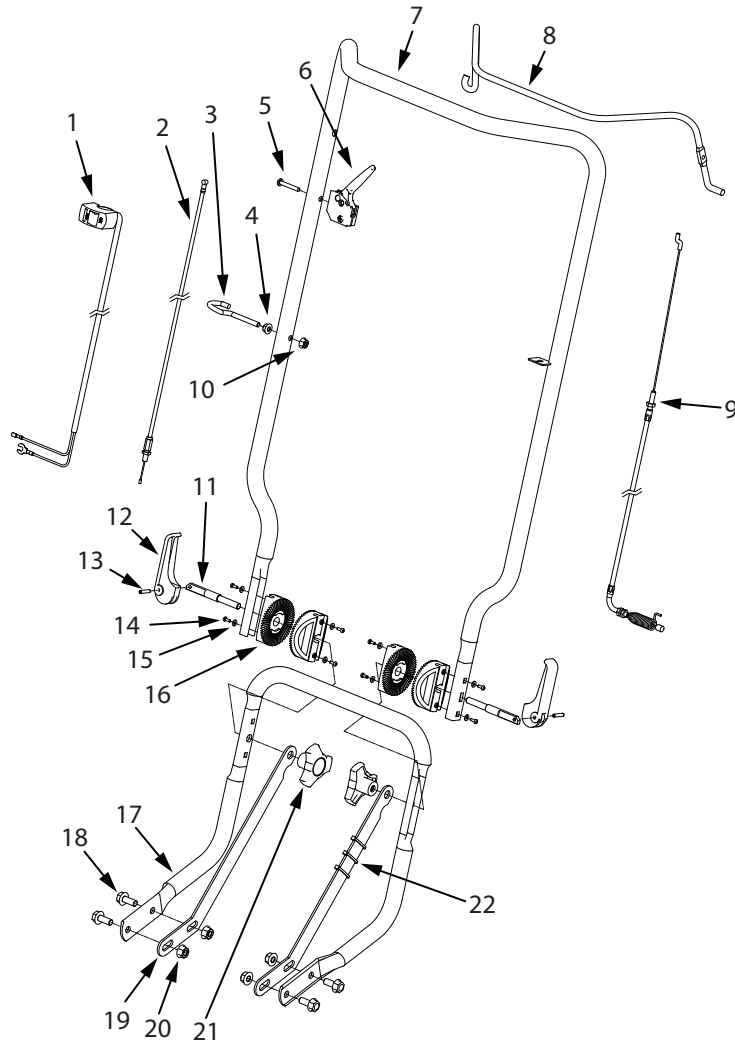
Includes Model:
M220



P/N: 19444
ECN: 10756
REV2: 02/17/15
© 2015 Ardisam, Inc.
All Rights Reserved



ILLUSTRATED PARTS BREAKDOWN - Handlebars

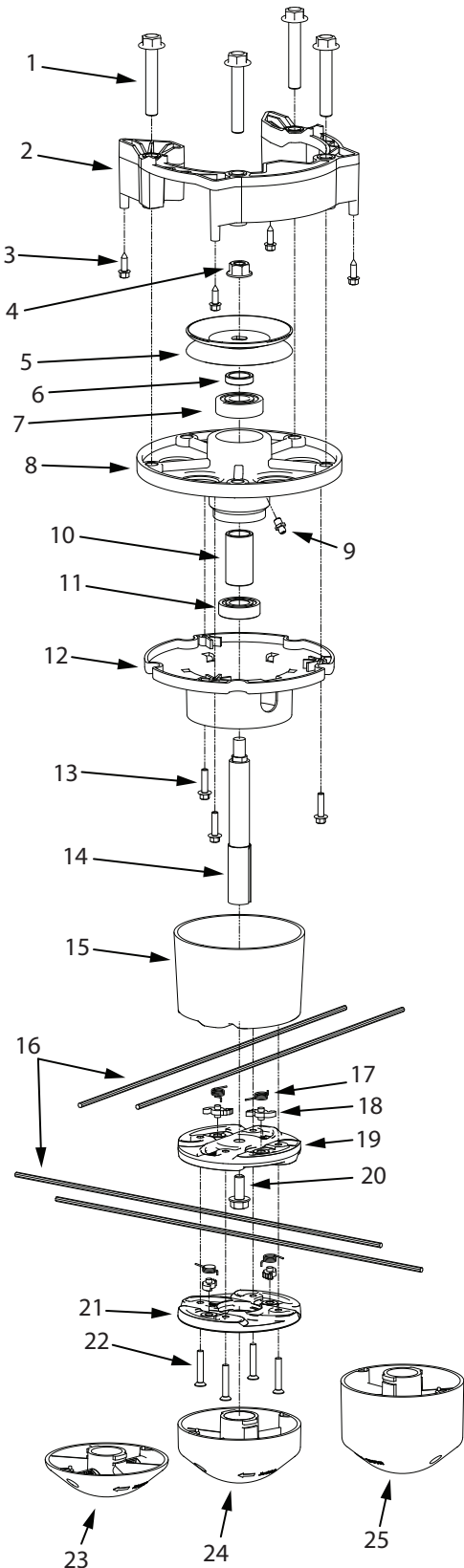


KEY	PART #	DESCRIPTION	QTY.
1	17471	ON/OFF SWITCH STRING MOWER	1
2	14178	THROTTLE CABLE	1
3	19902	ROPE GUIDE M6 X 1.0 OPEN EYE	1
4	19939	NUT M6 X 1.0 HEX	1
5	4814	BOLT 10-24 X 1-1/4 PHILIPS	1
6	4819	TRIGGER ASSEMBLY	1
7	17043	HANDLEBAR WITH VINYL	1
8	19160	CONTROL BAIL STRING MOWER	1
9	17527	CLUTCH CABLE STRING MOWER	1
10	W1265V0913	NUT M6 X 1.0 NYLOC	1
11	16311	HANDLE ADJUST BOLT M8	2

KEY	PART #	DESCRIPTION	QTY.
12	19972	CAM LEVER BLACK	2
13	19973	RIVET M4 X 20	2
14	16397	SCREW M3 X 10 PHILIPS	8
15	16360	WASHER M3 X 0.8 THICK	8
16	19912	HANDLE PIVOT BLACK	4
17	19941	LOWER HANDLEBAR	1
18	19945	BOLT M8 X 1.25 X 20 HEX	4
19	18893	HANDLEBAR BRACE MOWER	2
20	64132	NUT M8 X 1.25	4
21	13601	KNOB M8 THREE STAR BLACK	2
22	106	ZIP TIE 5.75 INCH BLACK	3



ILLUSTRATED PARTS BREAKDOWN - Mower Head

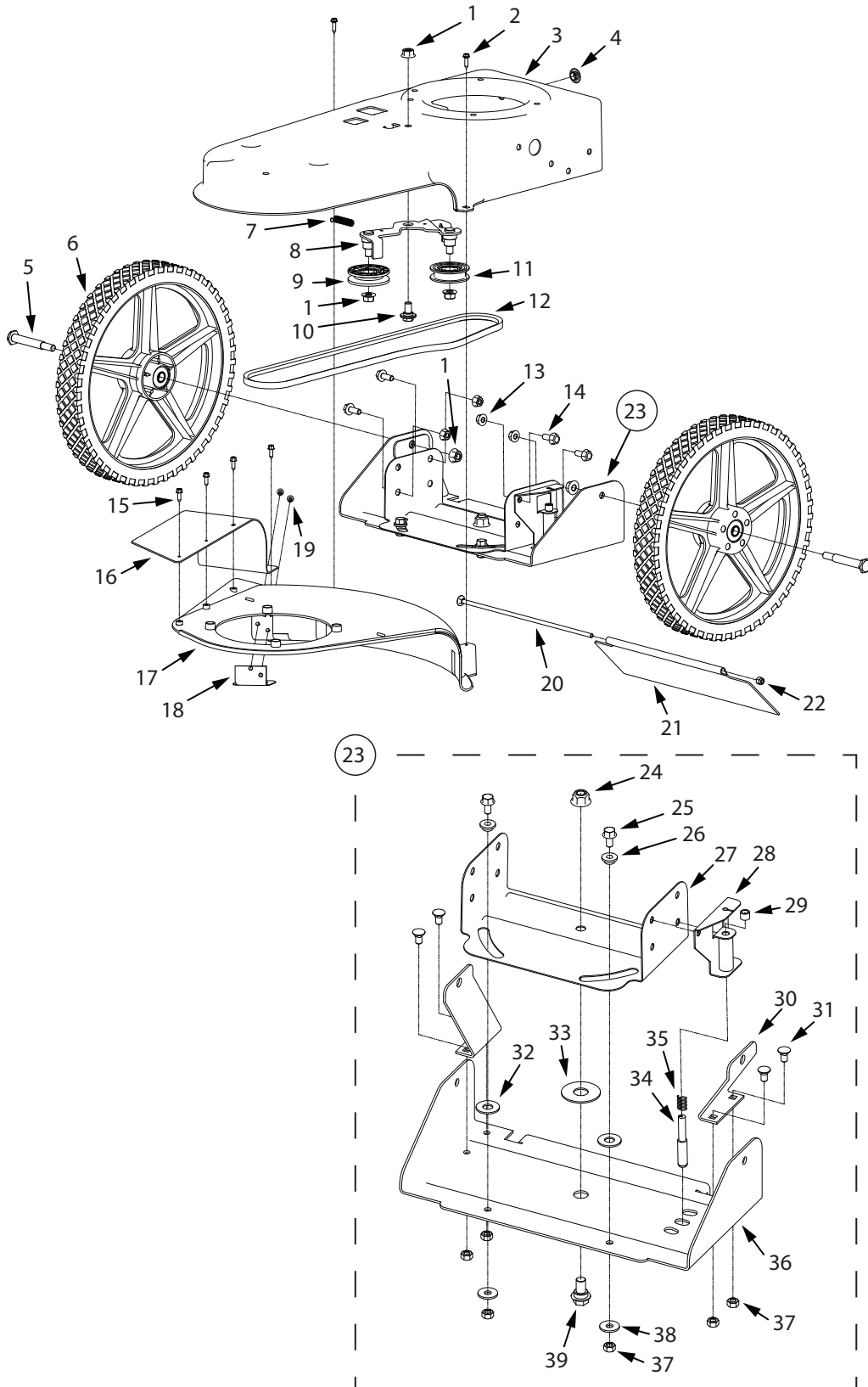


KEY	PART #	DESCRIPTION	QTY.
1	19927	BOLT M10 X 1.5 X 60 HEX	4
2	16318	SPACER JACKSHAFT MOWER	1
3	19931	SCREW M5 X 3 X 15 PHILIPS	4
4	16903	NUT M10 X 1.5 X 13 NYLOC	1
5	16595	PULLEY ASSEMBLY STRING MOWER	1
6	19925	SPACER M17.5 X 23.5 X 6	1
7	19966	BEARING 17 X 40 X 12 MM	1
8	16317	HOUSING JACKSHAFT MOWER	1
9	16598	GREASE FITTING M6 X 1.0	1
10	19960	SPACER JACKSHAFT	1
11	19959	BEARING 17 X 35 X 10 MM	1
12	16337	WEED WRAP STRING MOWER	1
13	16779	BOLT M5 X 0.8 X 20 HEX	3
14	16321	JACKSHAFT STRING MOWER	1
15	16662	WEED HEAD TOP STRING MOWER	1
16	17897	KIT LINE 15 IN STRING MOWER	1
17	16670	SPRING WEED HEAD MOWER	4
18	16669	CAM WEED HEAD STRING MOWER	4
19	16663	WEED HEAD MID-LEVEL MOWER	1
20	19945	BOLT M8 X 1.25 X 20 HEX	1
21	16664	WEED HEAD BOTTOM MOWER	1
22	16817	BOLT M5 X 0.08 X 30 PHILIPS	4
23	16665	BUMP HEAD 1 STRING MOWER	1
24	16666	BUMP HEAD 2 STRING MOWER	1
25	16668	BUMP HEAD 3 STRING MOWER	1



ILLUSTRATED PARTS BREAKDOWN

Base Unit





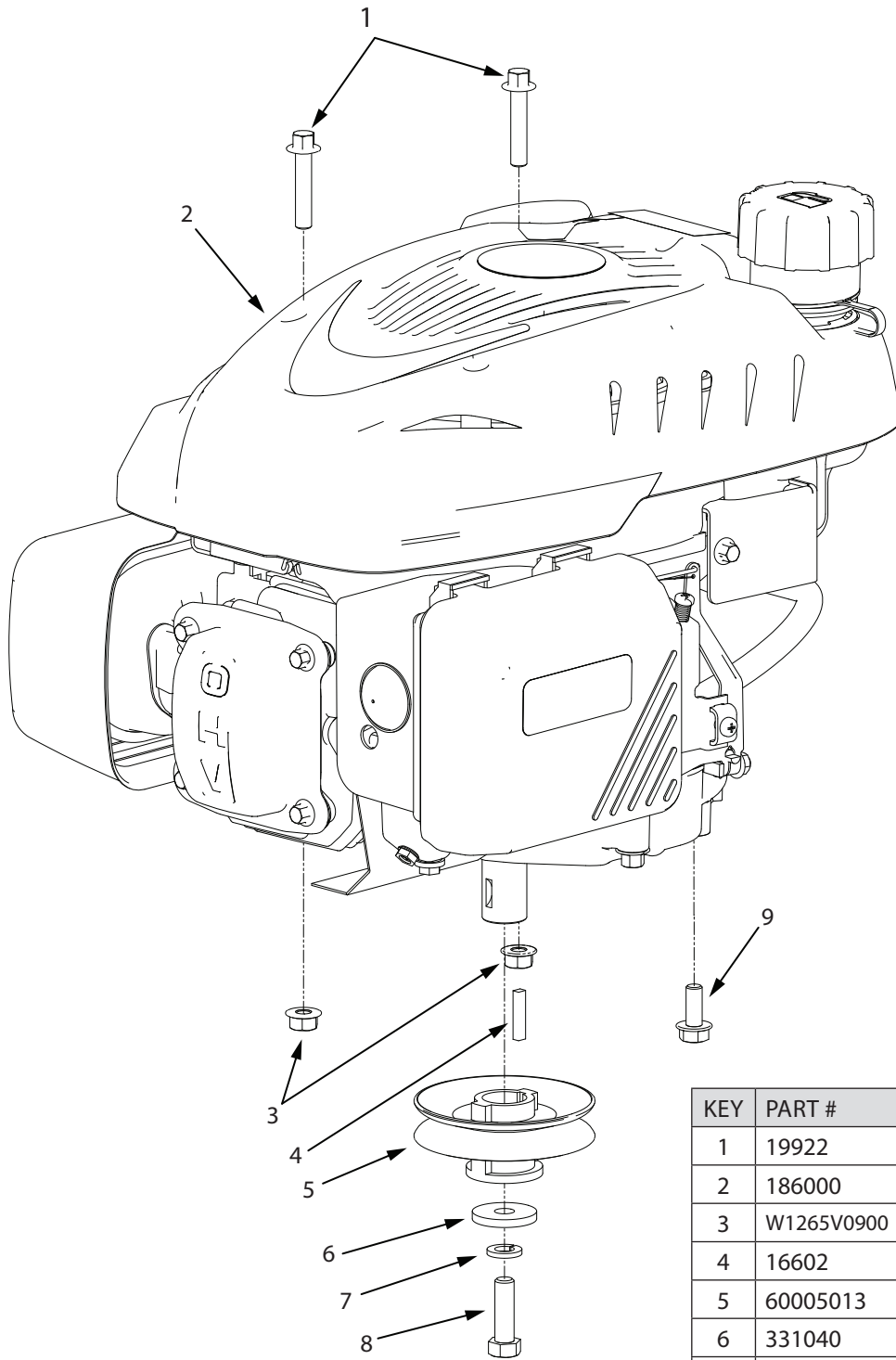
KEY	PART #	DESCRIPTION	QTY.
1	16903	NUT M10 X 1.5 X 13 NYLOC	5
2	16889	SCREW 4.8 X 1.6 X 20 MM PHILIPS	2
3	60005058	DECK FRAME	1
4	19944	BUSHING M12 X 23 RUBBER	1
5	17227	BOLT M10 X 1.5 X 25 SHLDR 12 X 63	2
6	18773	KIT WHEEL & BEARINGS	2
7	60005008	EXTENSION SPRING 1.5 INCH LONG	1
8	19932	IDLER BRACKET ASSEMBLY	1
9	19968	"V" PULLEY AND BEARING	1
10	19936	BOLT M10 X 1.5 X 20 HEX SHLDR	1
11	19934	PULLEY 3L AND BEARING	1
12	60005003	BELT 3L 45.5 (18.75)	1
13	16400	NUT M8 X 1.0 NYLOC	4
14	19945	BOLT M8 X 1.25 X 20 HEX	4
15	19931	SCREW M5 X 3 X 15 PHILIPS HEX	4
16	60005010	GUARD ASSEMBLY RUBBER BLACK	1
17	60005021	SHIELD MOWER BLACK	1
18	16540	CUTTER LINE STRING MOWER	1
19	19953	RIVET M5 X 10 PHILIPS HEX	2
20	19937	BOLT M6 X 1.0 X 285 CARRIAGE	1
21	60005018	TRAILING SHIELD 13.28 V	1
22	W1265V0913	NUT M6 X 1.0 NYLOC	1

KEY	PART #	DESCRIPTION	QTY.
23	17221	WHEEL SWIVEL ASSEMBLY MOWER	1
24	14920	• NUT M12 X 1.75 NYLOC	1
25	18106	• BOLT M8 X 1.25 X 20 HEX	2
26	21940	• BUSHING SHLDR 8 ID X 7.4 MM	2
27	17223	• SWIVEL FRAME MOUNT	1
28	19212	• SWIVEL LATCH MOUNT	1
29	19213	• SWIVEL CABLE CLIP MOWER	1
30	19694	• SWIVEL AXLE BRACE MOWER	2
31	21939	• BOLT M8 X 1.25 X 15 CARRIAGE	4
32	17508	• WASHER 13 X 30 X 2 NYLON	2
33	17176	• WASHER 18 X 50 X 2 NYLON	1
34	17224	• SWIVEL PIN MOWER	1
35	17225	• SWIVEL SPRING MOWER	1
36	17222	• SWIVEL WHEEL MOUNT	1
37	3252	• NUT M8 X 1.25 HEX	6
38	3245	• WASHER M8 X 24 X 2.2 MM	2
39	17177	• BOLT M12 X 1.75 X 25 SHDLR	1



ILLUSTRATED PARTS BREAKDOWN

Engine and Pulley Attachment



KEY	PART #	DESCRIPTION	QTY.
1	19922	BOLT M8 X 1.25 X 40 HEX	2
2	186000	ENGINE 173CC VIPER VERTICAL	1
3	W1265V0900	NUT M8 X 1.25 NYLOC	2
4	16602	KEY 4 X 5 X 25 MM	1
5	60005013	ENGINE PULLEY	1
6	331040	FLAT WASHER 10 X 32 X 4 MM	1
7	1916965	WASHER 3/8 INCH SPRING LOCK	1
8	1426	BOLT 3/8-16 X 1-1/4 HEX	1
9	19945	BOLT M8 X 1.25 X 20 HEX	1