

FIGURE 1. BRIGGS ENGINE ASSEMBLY

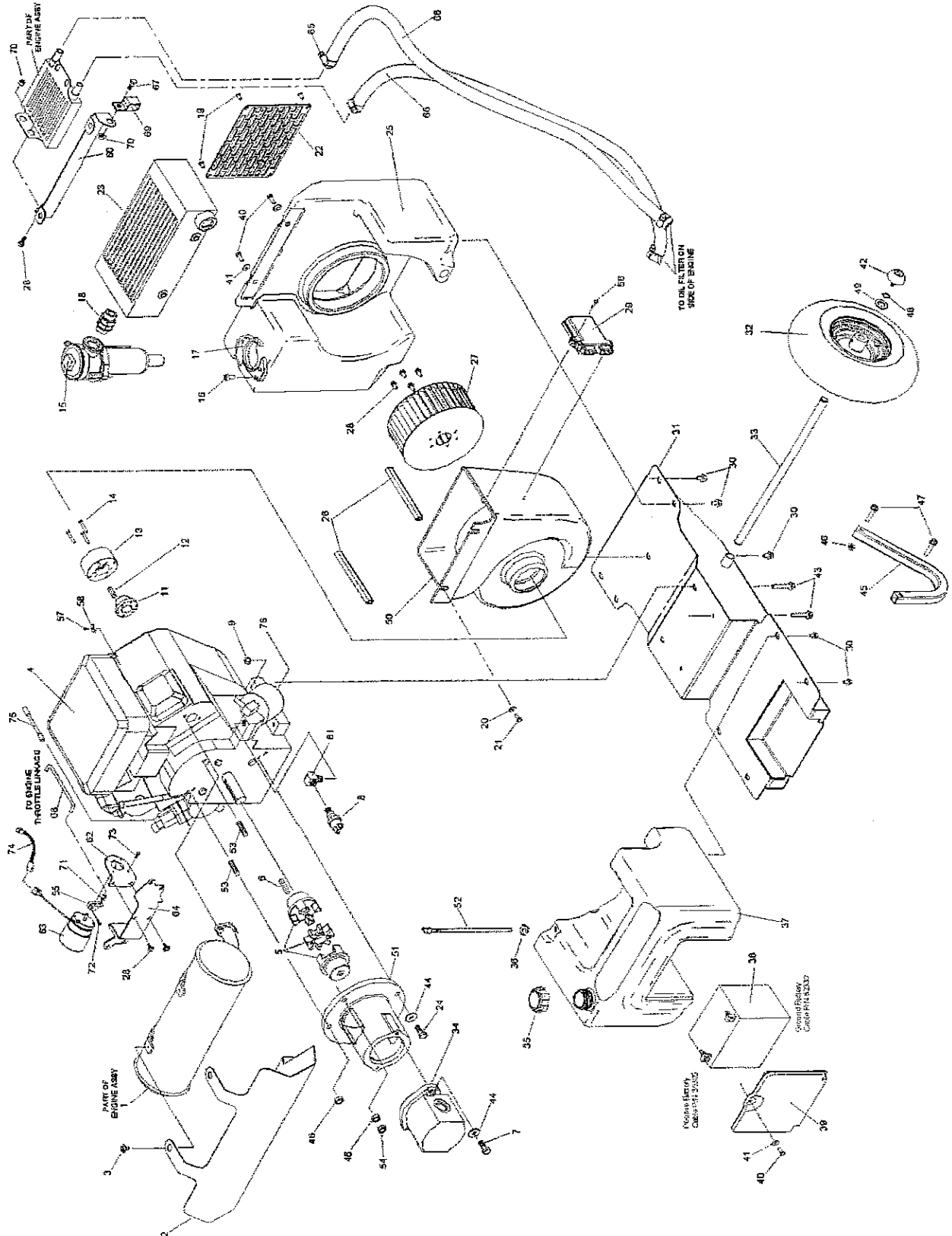
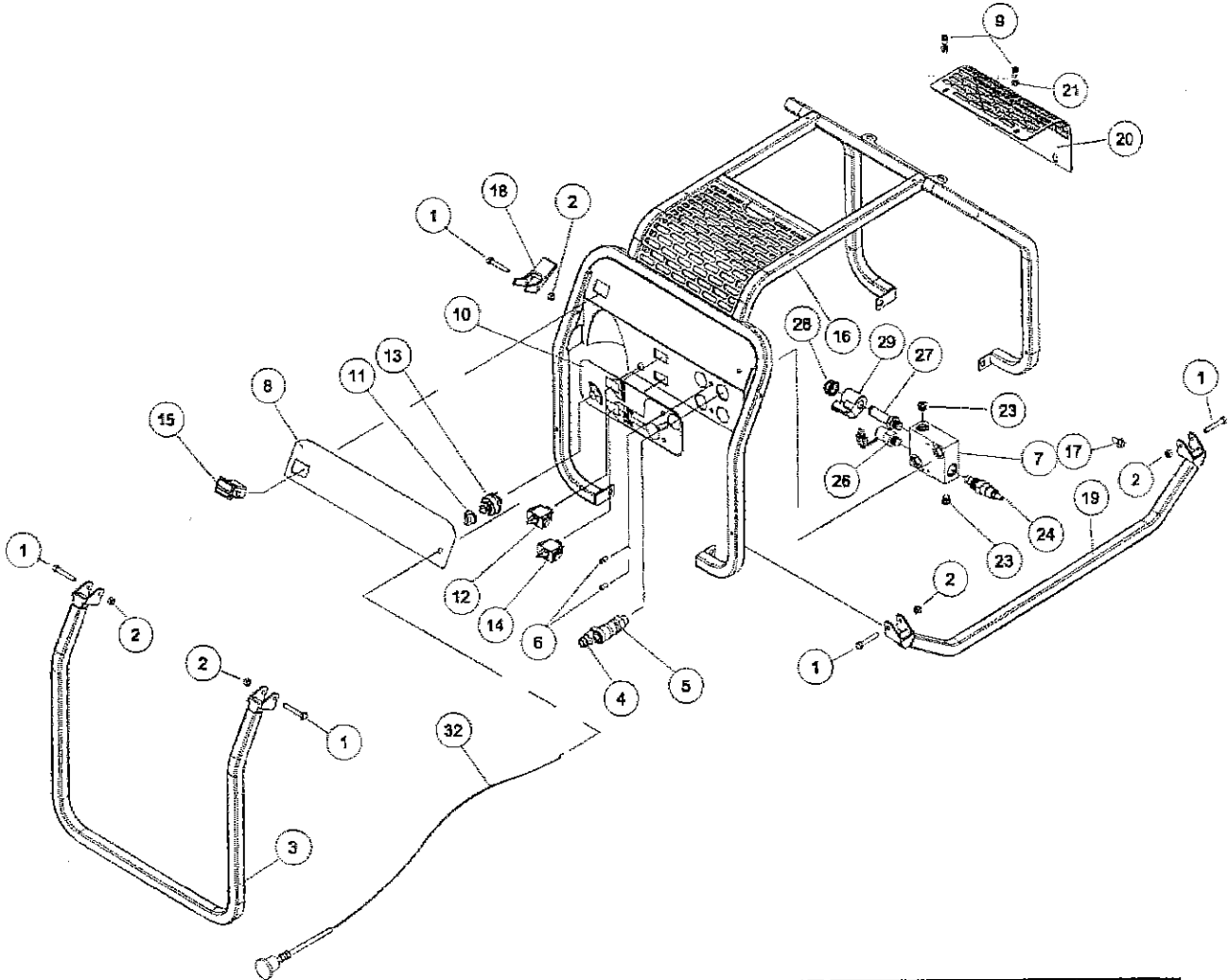


FIGURE 1. BRIGGS ENGINE PARTS LIST

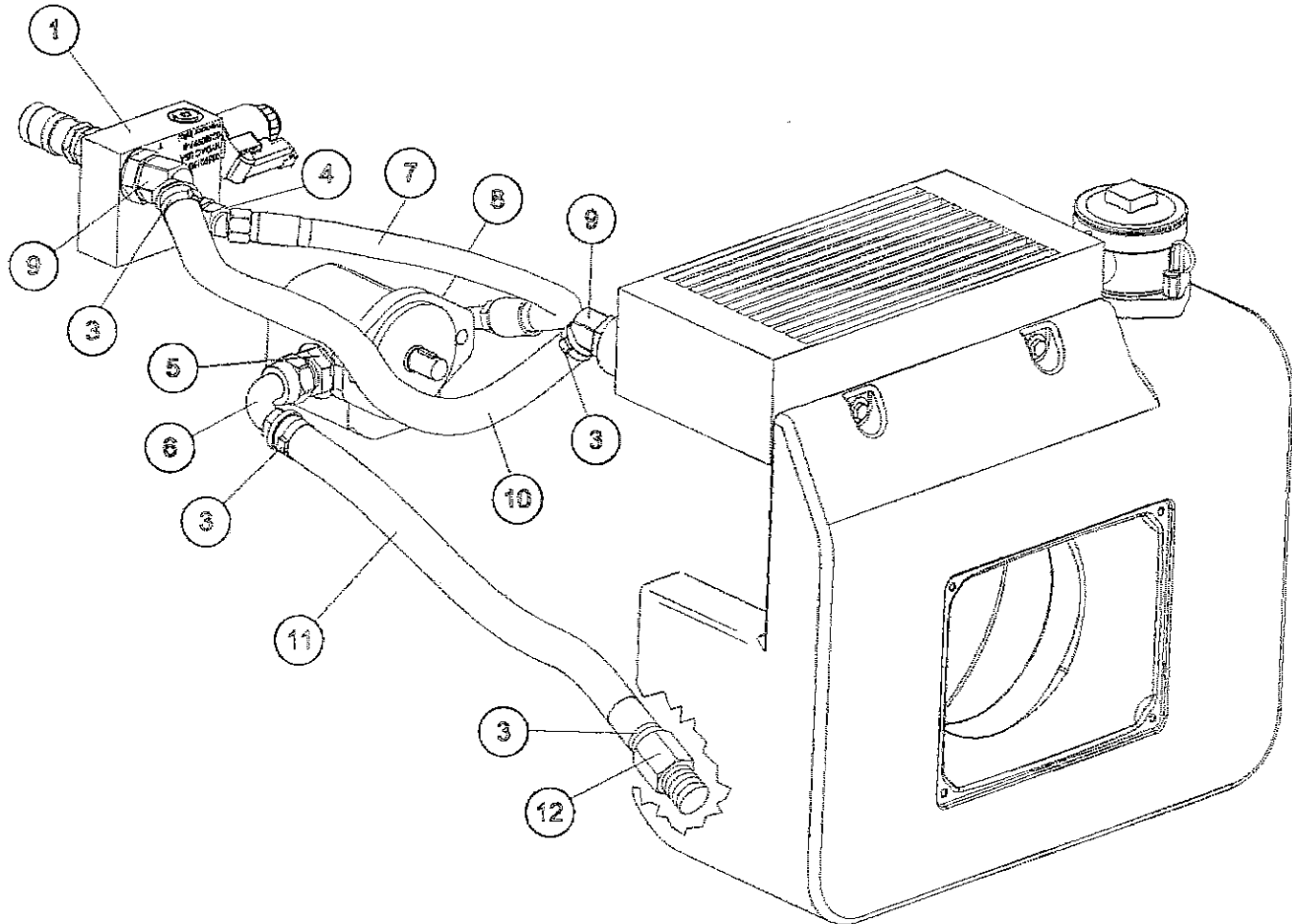
ITEM	P/N	QTY	DESCRIPTION	ITEM	P/N	QTY	DESCRIPTION
1	N/A	1	Muffler (Part of Item 4)	44	01459	4	Lockwasher, 3/8
2	66214	1	Heat Shield	45	58975	2	Foot
3	36152	2	Screw, Hex Washer	46	18893	4	Flang Nut, 3/8-16
4	68674	1	Briggs Engine	47	58976	4	Hex Flange Bolt, 3/8-16
5	56656	1	Coupling	48	31240	2	Retaining Ring
6	07819	1	Square Key	49	21318	2	Washer, 3/4
7	07860	2	Capscrew, 3/8-16 x 1-1/4	50	59083	1	Blower Housing
8	31765	1	Pressure Switch	51	56655	1	Pump Mount
9	12787	4	Flange Nut	52	60919	1	Fuel Elbow
11	59076	1	Bushing	53	62365	2	Stud
12	20990	1	Key	54	371503	1	Nut
13	65108	1	Blower Hub	55	69374	1	Throttle Lever
14	00753	3	Capscrew	56	62292	2	Hex Washer Head Screws
15	40080	1	Filter Assy	57	64991	1	Screw
16	43687	2	Capscrew	58	56709	1	Cable Clamp
17	64937	1	Grip Plate	59	----	-	No Item
18	51292	1	Std Thread Union	60	66215	1	Cooler Mount
19	17821	4	Button Head HS	61	69387	1	90° 1/8 NPT Street EL.
20	26831	2	Washer, 1/4 in. ID	62	68675	1	Angle Bracket Weldment
21	01213	2	Capscrew, 1/4 -20 UNC	63	68560	1	Rotary Actuator
22	59080	1	Front Grille	64	68676	1	Actuator Bracket
23	59091	1	Cooler	65	69384	4	Hose Clamp
24	07860	2	Capscrew, 3/8	66	69383	2	Hose
25	59077	1	Hydraulic Tank	67	59075	1	Hex Flange Screw
26	62296	2	Weather Strip	68	69288	1	Throttle Link
27	65107	1	Blower Wheel	69	60774	1	Clamp
28	59074	8	Hex Flange Bolt, 1/4 -20	70	59095	3	Hex Flange Nut
29	69407	1	Engine Controller	71	62181	1	Link Retainer
30	40433	9	Hex Flange Bolt 5/16-18 x 1/2	72	69282	1	Hex Socket Head Capscrew 8-32
31	58897	1	Frame Base Weldment	73	69281	4	Hex Socket Head Capscrew 6-32
32	58918	2	Wheel & Tire	74	69401	1	Wire Assemble
33	58917	1	Axle	75	65042	1	Rectifier Wire
34	68561	1	Pump, Single	76	01212	1	Pipe Plug
35	68645	1	Fuel Cap				
36	60920	1	Grommet				
37	59078	1	Fuel Tank				
38	04303	1	Battery				
39	60921	1	Battery Cover				
40	15476	3	Capscrew, 1/4-20 x 3/4		40408	1	Filter Element (Part of item # 15)
41	60945	3	Washer		43592	1	Filter, Service Kit (Includes Filter and Seals)
42	21714	2	Handle Bumper				
43	58942	4	Hex Flange Bolt, 5/16 x 1-3/4				

FIGURE 2. FRAME PARTS



ITEM	P/N	QTY	DESCRIPTION	ITEM	P/N	QTY	DESCRIPTION
1	370502	7	Capscrew, 5/16 in. -18 UNC	26	59128	1	Pressure Switch Assy
2	03906	7	Nylock Nut, 5/16 in. -18 UNC	27	60959	1	Directional Valve
3	58915	1	Handle, Rear Lift	28	---	1	Cap (Included with Item 27)
4	58857	1	Coupler, Male 3/8 in., -8 SAE	29	60958	1	Coil
5	58856	1	Coupler, Female 3/8 in., -8 SAE	32	62298	1	Choke Cable Assy
6	60962	2	Capscrew, 1/4 in. -20				
7	59130	1	Manifold Assy, Single Circuit				
8	62302	1	Dash Decal				
9	59075	2	Hex Flange Bolt, 1/4-20 x 5/8				
10	68595	1	Decal, Single Circuit				
11	67899	1	Knob (Part of item 13)				
12	60955	1	2-Way Switch				
13	67899	1	Rotary Switch				
14	60956	1	3-Way Switch				
15	60946	1	Hour Meter				
16	58903	1	Frame Weldment				
17	23530	2	Hex Flange Bolt, 3/8 in. -16				
18	58916	1	Handle Lock				
19	58911	2	Lift Handle				
20	59079	1	Cooler Guard				
21	59095	2	Flange Nut, 1/4 in. -20				
23	08104	2	Hollow Hex Plug 6 SAE				
24	59131	1	Relief Valve				

FIGURE 3. HOSES, FITTINGS & CLAMPS



ITEM	P/N	QTY	DESCRIPTION
1	59130	1	Manifold Assy, Single Circuit
3	62199	4	Hose Clamp
4	350000	1	Elbow, 45° Straight Thread
5	02773	1	Adapter
6	58569	1	Elbow, 90°
7	58943	1	Hose
8	350104	1	Connector, Straight Thread
9	40364	2	Elbow, 45°
10	59088	1	Hose
11	59089	1	Hose
12	59105	1	Hose Barb, 3/4 in. Hose x 3/4 in. Pipe

FIGURE 4B. MAIN POWER UNIT WIRING HARNESS

Wire Harness P/N-65147

