



GALAXY D36-DV FIREPLACE SYSTEM

Installation and Operation Manual

PART NUMBER	MODEL DESIGNATION	DESCRIPTION
794137B	GALAXY D36-DV - EING	Electronic Ignition Natural Gas
794136B	GALAXY D36-DV - SPNG	Standing Pilot Natural Gas
794138B	GALAXY D36-DV - SPLP	Standing Pilot Propane

OPTIONAL FEATURES: CIRCULATION BLOWER
 GRILLE TRIM KITS
 REMOTE CONTROL
 ARCHED GRILLE KIT
 DECORATIVE GLASS

**FOR YOUR SAFETY
 WHAT TO DO IF YOU
 SMELL GAS:**

- 1) Open windows.
- 2) Do not touch electrical switches.
- 3) Do not try to light any appliance.
- 4) Do not use the phone in your building.
- 5) Immediately call your gas supplier from a neighbor's phone.
- 6) Follow your gas suppliers instructions.
- 7) If you cannot reach your gas supplier, call the fire department.

FOR YOUR SAFETY:

Do not store or use gasoline or other flammable vapors and liquids in the vicinity of this or any other appliance.

Due to high temperatures, the appliance should be located out of traffic and away from furniture and draperies.

Do not place clothing or other flammable materials on or near the appliance.

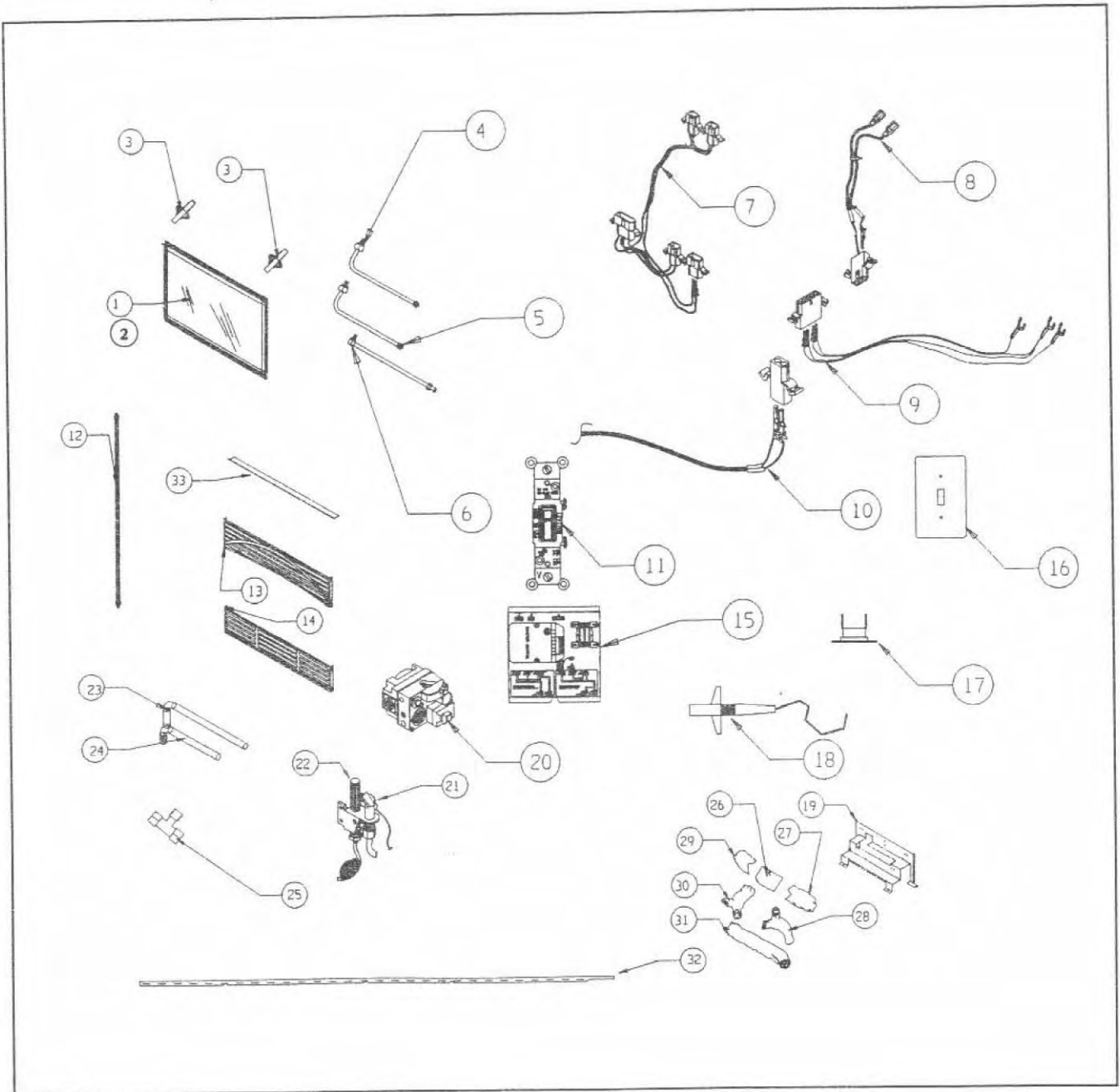


This symbol on the product means it is listed by Warnock Hersey

GALAXY D36-DV-SP (STANDING PILOT) REPLACEMENT PARTS LIST

ITEM	D36-DV PART #	DESCRIPTION
1	794591	GLASS KIT
2	794593	DECORATIVE GLASS KIT
3	129937	LATCHES
4	481050	TUBING, BACK BURNER
5	481051	TUBING, FRONT BURNER
6	481049	PILOT TUBING
7	113332	WIRE HARNESS
8	113336	HARNESS, HEAT LIMIT
9	113346	VALVE WIRE ASSEMBLY
10	116158	THERMOPILE, CONDUCTOR
11	116133	SWITCH, WALL WHITE
12	495107	HOSE, FLEX CORRUGATE
13	481030	GRILLE TOP
14	481029	GRILLE BOTTOM
15	499731	MODULE, COMMON ASSEMBLY
16	116134	PLATE, SWITCH WHITE
17	112948	HEAT LIMIT SWITCH
18	116140	IGNITER PIEZO
19	481020	LOG SUPPORT
20	495103	REGULATOR, VALVE
21	116162	STANDING PILOT ASSEMBLY
22	116158	THERMOPILE, CONDUCTOR
23	198568	BACK BURNER
24	198569	FRONT BURNER
25	129935	"T" FITTING
26	481064	FIBER LOG
27	164702	TOP LOG RIGHT
28	164700	CROSS LOG RIGHT
29	164701	TOP LOG LEFT
30	164699	CROSS LOG LEFT
31	164703	BOTTOM LOG
32	481033	GASKET
33	481028	HOOD

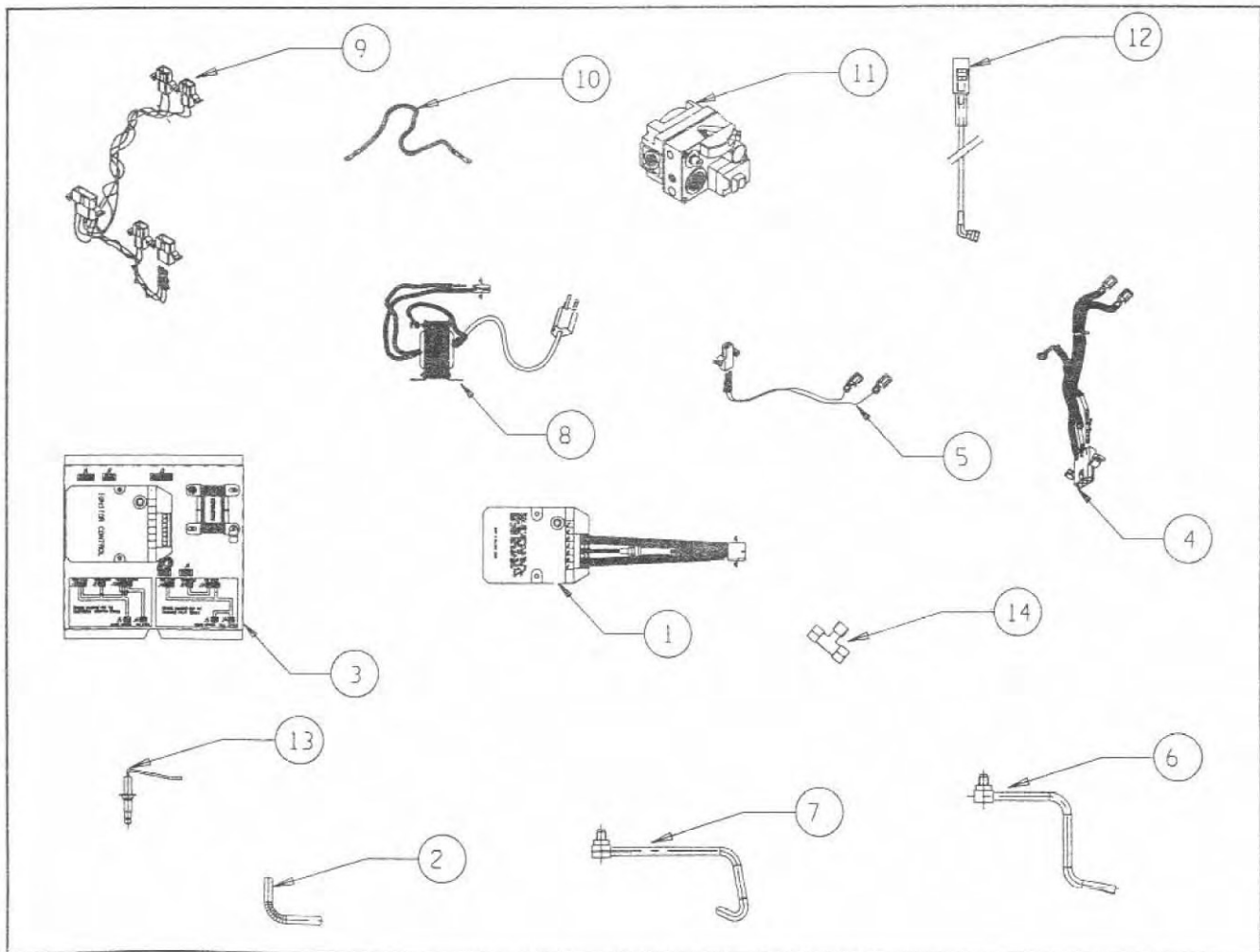
GALAXY D36-DV-SP (STANDING PILOT) REPLACEMENT PARTS



GALAXY D36-DV-EI (ELECTRONIC IGNITION) REPLACEMENT PARTS LIST

481057A

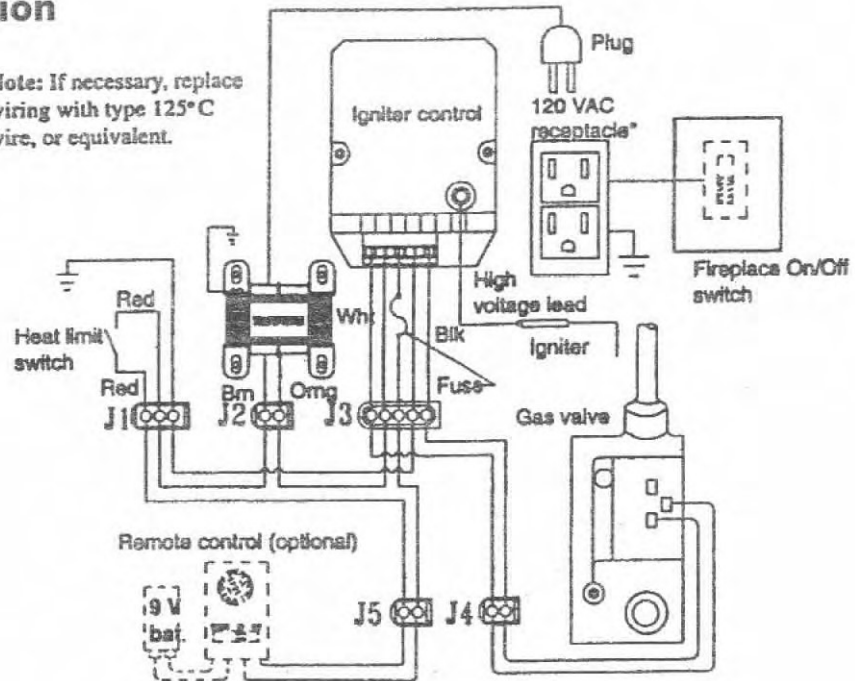
ITEM	D36-DV PART #	DESCRIPTION
1	113349	CONTROL, DSI BLUE BOX
2	481061	TUBING, VALVE EI
3	499728	MODULE, COMMON ASSEMBLY
4	113335	HARNESS, HEAT LIMIT
5	113347	VALVE, WIRE ASSEMBLY
6	481060	TUBING, BACK BURNER, EI
7	481059	TUBING, FRONT BURNER, EI
8	113334	TRANSFORMER, LOW VOLT
9	113331	WIRE HARNESS
10	113355	WIRE GROUND BURNER
11	495101	REG. NAT. VALVE ELECT.
12	113359	CABLE, HI VOLT 30
13	481057	IGNITOR/SENSOR
14	129933	REDUCING TEE



Wiring Diagrams

Electronic Ignition

Note: If necessary, replace wiring with type 125°C wire, or equivalent.



* Inside control panel

Standing Pilot

