

OPERATOR'S SAFETY AND SERVICE MANUAL



MM91 & MM121

This manual covers the following serial numbers
and higher for each model listed:

MM121 7090001
MM91 7150001



MORTAR & PLASTER MIXERS

MBW, Inc.
250 Hartford Rd • PO Box 440
Slinger, WI 53086-0440
Phone: (262) 644-5234
Fax: (262) 644-5169
Email: mbw@mbw.com
Website: www.mbw.com

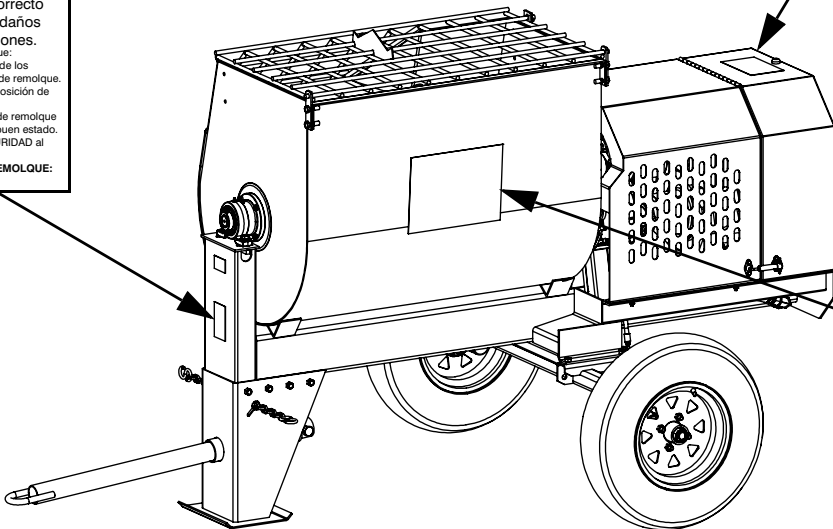
MBW (UK) Ltd.
UnitS 2 & 3 Crochane Street
Bolton BL3 6BN
Phone: 01204 387784
Fax: 01204 387797

MBW FRANCE S.A.R.L.
Z.A. d'Outreville
11 rue Jean Baptiste Néron,
60540 BORNEL
FRANCE
Phone: +33 (0) 3 44 07 15 96
Fax: +33 (0) 3 44 07 41 28
Email: mbwfrance@free.fr

L18622 / 08.14.E
©MBW, Inc. 2005
Printed in the USA

CAUTION(PRECAUCIÓN)
 Improper towing can lead to damage or injury.
 Before Towing:
 1. Check running gear and tow bar.
 2. Lock drum in tow position.
 3. Check tow pin for proper installation and good condition.
 4. USE SAFETY CHAINS when towing.
MAXIMUM TOW SPEED: 50 mph
Un remolque incorrecto puede provocar daños materiales o lesiones.
Antes del remolque:
 1. Revise el funcionamiento de los engranajes y de la barra de remolque.
 2. Bloquee el tambor en la posición de remolque.
 3. Verifique que el pasador de remolque esté bien instalado y en buen estado.
 4. USE CADENAS DE SEGURIDAD al remolcar la máquina.
MAX. VELOCIDAD DE REMOLQUE: 80 KPH
 15072

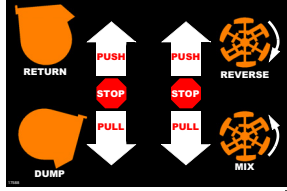
CAUTION(PRECAUCIÓN)
 Read the operating instructions before operating this piece of equipment. Lea las Instrucciones Operativas antes de hacer funcionar esta parte del equipo.
 Keep unauthorized, inexperienced, untrained people away from this equipment. Manténgala a las personas no autorizadas y sin entrenamiento alejadas de este equipo.
ROTATING AND MOVING PARTS! Make sure all guards and safety devices are in place. **¡PIEZAS ROTATIVAS Y MÓVILES!** Asegúrese de que todas las guardas y dispositivos de seguridad estén colocados en sus lugares.
DO NOT RUN this machine in an enclosed area. The engine produces carbon monoxide, a **POISONOUS** gas. **NO HAGA FUNCIONAR** esta máquina en una zona encerrada. El motor produce monóxido de carbono, un **GAS VENENOSO**.
SHUT OFF the engine before servicing, cleaning or adding fuel to engine or machine. **APAGUE** el motor antes de hacerle el servicio, limpiarlo o agregarle combustible.
Failure to comply could result in serious bodily injury
 El no cumplir con estas instrucciones puede producir como resultado lesiones corporales graves. 15070



01554
 Not included with decal set



12500



17588
 Not included with decal set

MIXER(MEZCLADORA)
OPERATING INSTRUCTIONS
INSTRUCCIONES DE OPERACION
 1. Check oil in engine crankcase.
 2. MAKE SURE grid is CLOSED before starting and during operation.
 3. Place engage lever in "IDLE" position before starting engine.
 4. Open fuel valve.
 5. Choke choke on engine. A warm engine may not need to be choked.
 6. Open throttle to "FAST" position.
 7. Pull starter rope.
 8. After starting, turn choke off, let engine warm up at idle.
 9. Open throttle to "FAST" position, CLOSE SHROUD! Place engagement lever in "MIX" position, change mixer.
 10. TO STOP: Place engagement lever in "IDLE" position, return throttle to idle, close fuel valve, press stop button.
 11. Before towing, check that drum is locked in towing position, and tow pin is properly installed and in good condition.
 12. Revisa el aceite en el cárter del motor.
 13. Coloque la palanca de engranaje en la posición de "VALENTE" antes de arrancar el motor.
 14. Abra la válvula de combustible.
 15. Cierre el estrangulador del motor. Si el motor está tibio, puede que no requiera estrangulamiento.
 16. Coloque el selector en la posición "RAPIDA".
 17. Tire de la cuerda de arranque.
 18. Tras el arranque, quite el estrangulador y deje que el motor se caliente en ralentí.
 19. Abra el acelerador y póngalo en la posición "MEZCLA". ¡CIERRE LA CUBIERTA! Coloque la palanca de engranaje en la posición de "MEZCLA", cargue la mezcladora.
 20. PARA DETENERLA: Coloque la palanca de engranaje en la posición "VALENTE", vuelva el estrangulador a ralentí, cierre la válvula de combustible y pulse el botón de parada.
 21. Antes de remolcar, verifique que el tambor está bien fijado en la posición de remolque, y que el pino está correctamente instalado y en buen estado.
MAXIMUM TOW SPEED: 50 MPH
MAX. VELOCIDAD DE REMOLQUE: 80 KPH
 15071

WARNING ADVERTENCIA

ENGINE EXHAUST IS HAZARDOUS IF INHALED
USE ONLY IN A WELL VENTILATED AREA
EL GAS DEL ESCAPE DEL MOTOR ES PELIGROSO SI SE INHALA
USE LA MAQUINA SOLO EN UNA ZONA BIEN VENTILADA
 15076

15076

WARNING
 OPERATION OF THIS EQUIPMENT MAY CREATE SPARKS THAT CAN START FIRES AROUND DRY VEGETATION. A SPARK ARRESTER MAY BE REQUIRED. THE OPERATOR SHOULD CONTACT LOCAL FIRE AGENCIES FOR LAWS OR REGULATIONS RELATING TO FIRE PREVENTION.
 15079

19791

PUSH TO STOP
PULSE PARA DETENER

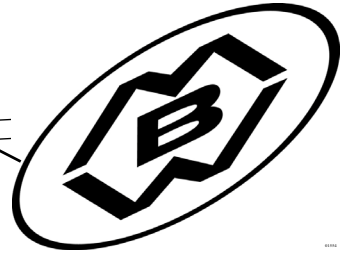
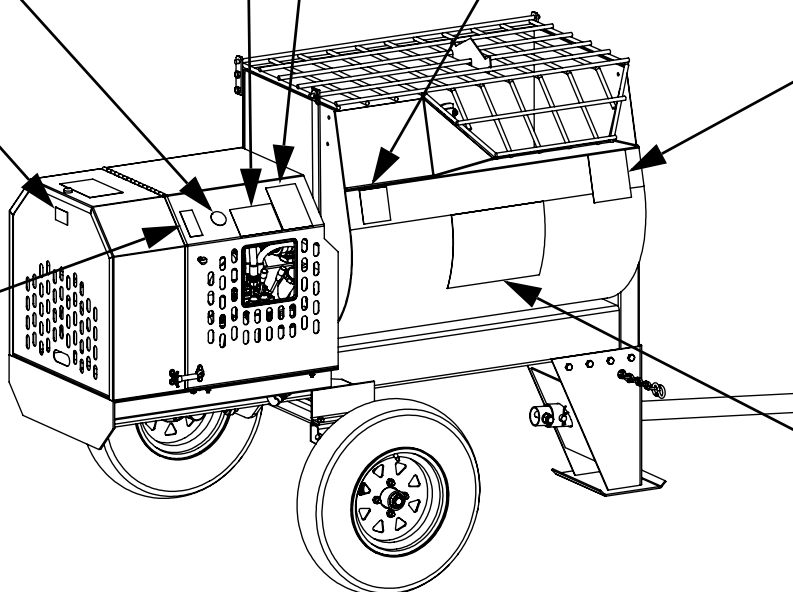
 15046

16546

WARNING ADVERTENCIA

MOVING PARTS CAN CRUSH AND CUT
KEEP HANDS CLEAR!
SHUT OFF ENGINE OR MOTOR BEFORE SERVICING.
LAS PIEZAS MÓVILES PUEDEN IMPACTAR Y CORTAR
¡MANTENGA ALEJADAS SUS MANOS!
APAGUE EL MOTOR ANTES DEL SERVICIO.
 15069

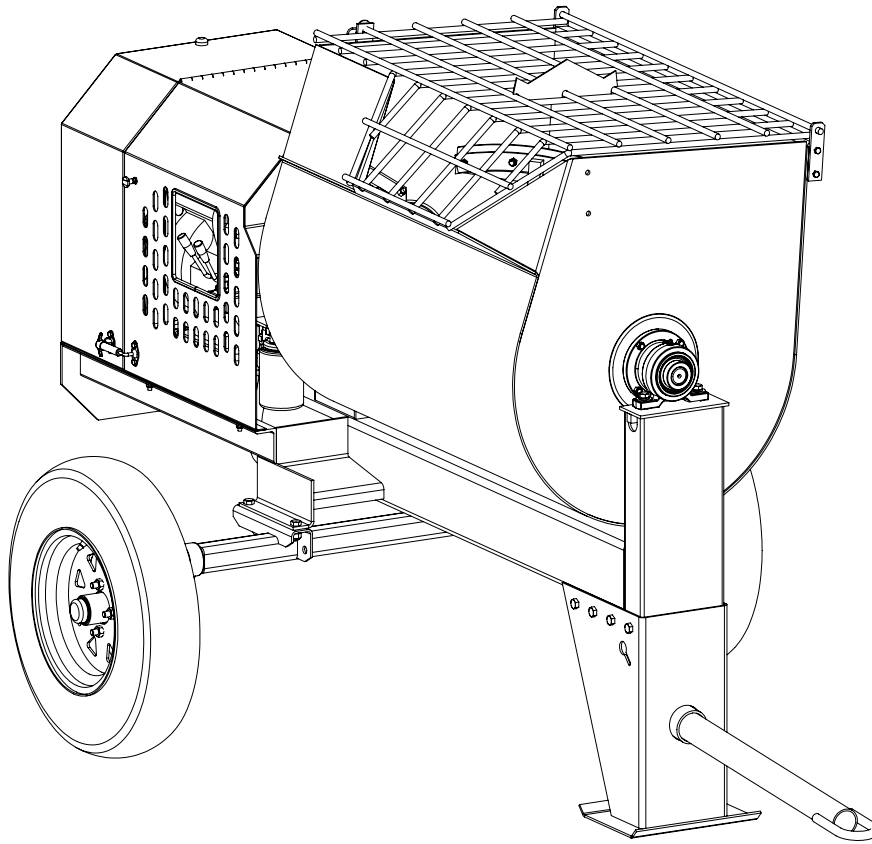
15069



01554
 Not included with decal set

Safety Decals (Decal Set #15074)

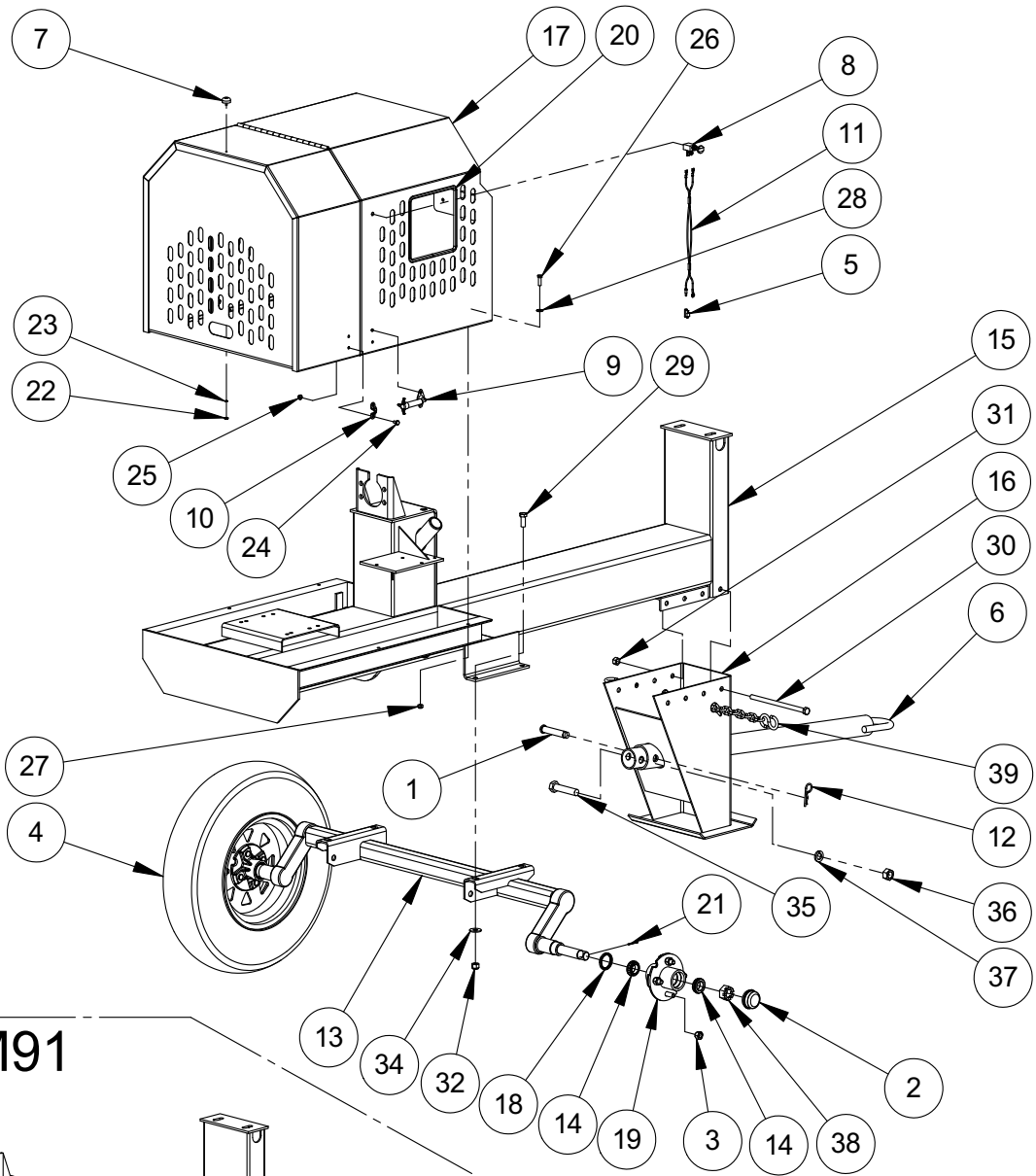
SPECIFICATIONS



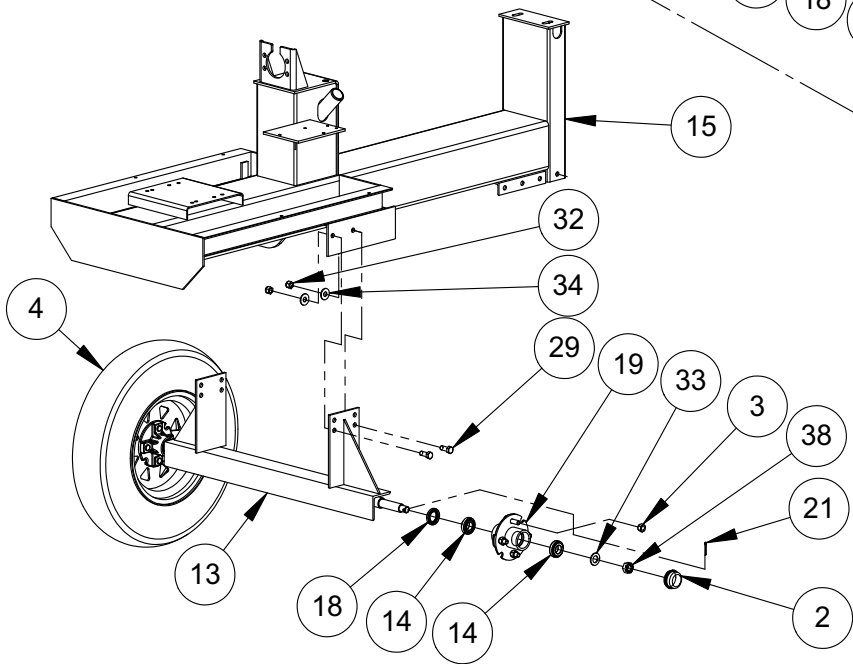
MM121

	MM91			MM121		
Batch Capacity	9 cu. ft. (0.26 cu. m.)			12 cu. ft. (0.34 cu. m.)		
Batch Size	3 - 3.5 bags			3.5 - 4.5 bags		
Engine / Motor	Honda Gx390 23.7 in ³ (389 cm) ³	Baldor 5 hp (1-phase) 230 V - 23 A	Baldor 5 hp (3-phase) 230 V - 13.4 A 460 V - 6.7 A	Honda Gx390 23.7 in ³ (389 cm) ³	Baldor 5 hp (1-phase) 230 V - 23 A	Baldor 5 hp (3-phase) 230 V - 13.4 A 460 V - 6.7 A
Engine / Motor Speed	3300 rpm	1725 rpm	1750 rpm	3300 rpm	1725 rpm	1750 rpm
Drivetrain	Hydraulic Pump to Hydraulic Motor			Hydraulic Pump to Hydraulic Motor		
Axle	46" Solid axle			61" Torsion Axle		
Wheels	ST175/80D13 high-speed			ST175/80D13 high-speed		
Size - W x L x H	46 x 70 x 58 in (117 x 178 x 147 cm)			61 x 88 x 60 in (155 x 224 x 152 cm)		
Weight	1072 lbs (486 kg)			1230 lbs (558 kg)		
Charging Height	56 in (142 cm)			56 in (142 cm)		

Specifications subject to change without notice

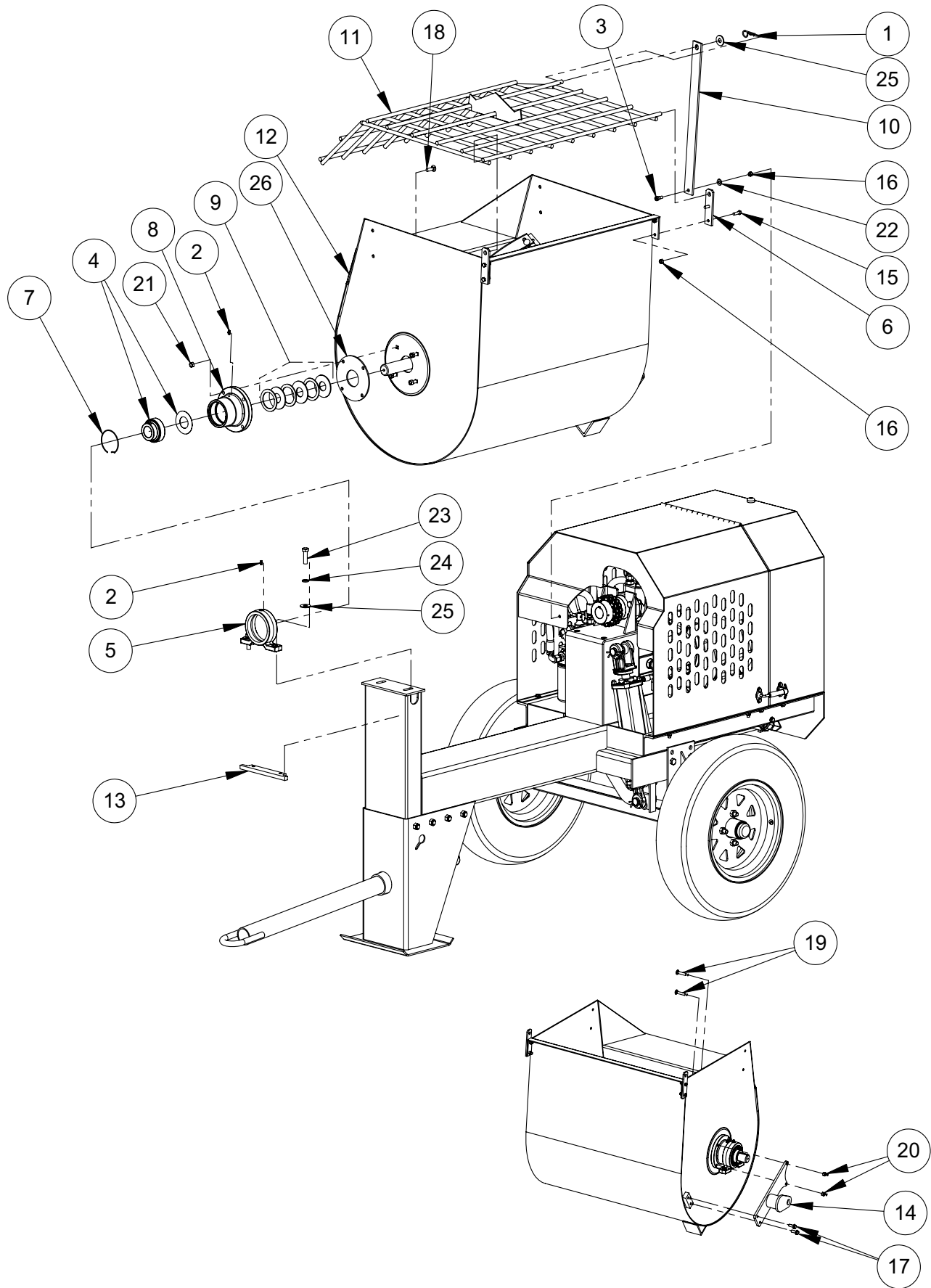


MM91

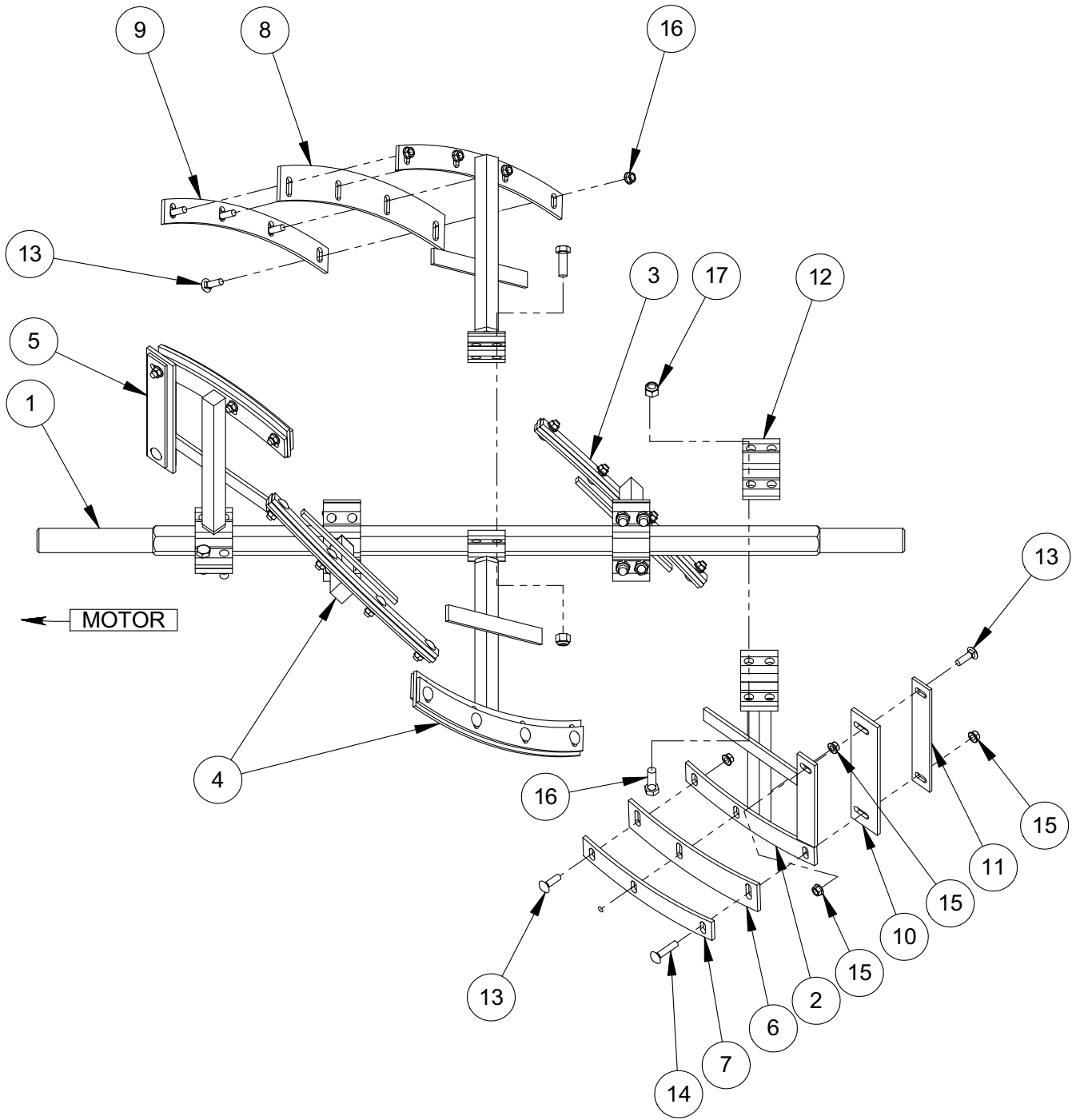


Shroud & Chassis Assembly

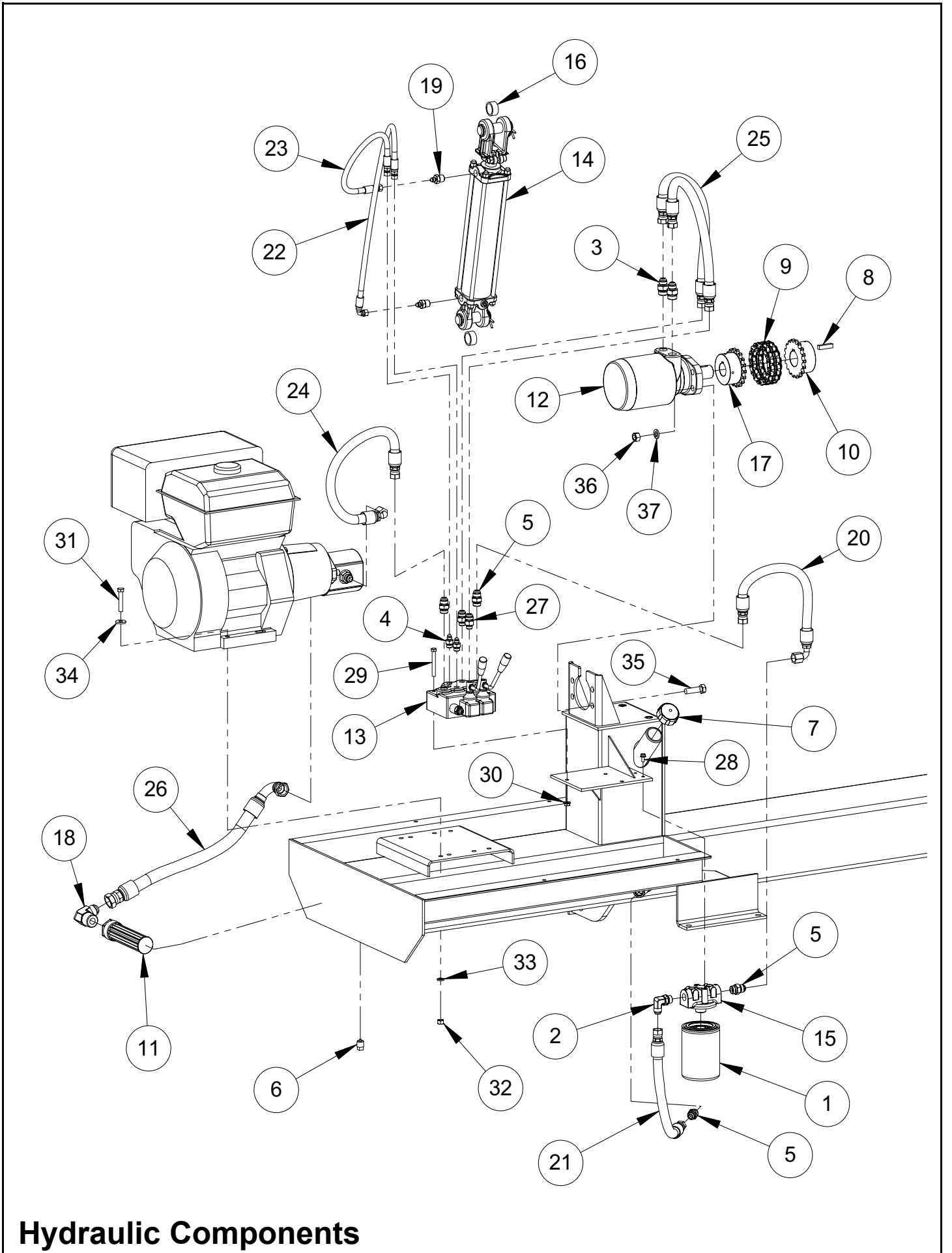
ITEM	PART NO.	DESCRIPTION	MM91	MM121
1.	01158	HITCH PIN	1	1
2.	01175	DUST COVER	2	2
3.	05844	WHEEL NUT, 1/2-20	8	8
4.	06442	WHEEL, ST175/80D13	2	2
5.	07592	SPLICE TERMINAL	1	1
6.	16564	TOW POLE, BALL HITCH (Includes 35-37)	1	1
	16773	TOW POLE, PINTLE HITCH (Includes 35-37)	1	1
7.	16750	RUBBER BUMPER	1	1
8.	16783	SWITCH	1	1
9.	16813	METAL LATCH	2	2
10.	16816	CATCH PLATE, LATCH	2	2
11.	16820	WIRING HARNESS	1	1
12.	17158	HAIRPIN, 5/32" x 2-11/16" LONG	1	1
13.	17195	TORSION AXLE (Includes hubs)		1
	18603	AXLE ASSEMBLY (Includes hubs)	1	
14.	17305	BEARING, 1-1/16" (Cup & cone)		4
	01171	BEARING, 1.00"	4	
15.	17400	FRAME, MM121		1
	18588	FRAME, MM91	1	
16.	17488	FRONT LEG, MM121	1	1
17.	18606	ENGINE SHROUD, MM121 (Includes 7,9,10,20,22-25)	1	1
18.	17522	GREASE SEAL		2
	01170	GREASE SEAL	2	
19.	17523	HUB ASSEMBLY (Includes 2,3,14,18,21,38)		2
	01558	HUB ASSEMBLY (Includes 2,3,14,18,21,33,38)	2	
20.	17539	PLASTIC EDGING	1	1
21.	F0212CP	COTTER PIN, 1/8" x 1-1/2" LONG		2
	F0210CP	COTTER PIN, 1/8" x 1-1/4" LONG	2	
22.	F0324HN	HEX NUT, #10-24	1	1
23.	F03LW	LOCK WASHER, #10	1	1
24.	F042004HCS	HEX HEAD CAP SCREW, 1/4-20 x 1/2" LONG	8	8
25.	F0420FN	FLANGE LOCK NUT, 1/4-20	8	8
26.	F051808HCS	HEX HEAD CAP SCREW, 5/16-18 x 1" LONG	4	4
27.	F0518ELN	ELASTIC LOCK NUT, 5/16-18	4	4
28.	F05SW	WASHER, 5/16"	4	4
29.	F081310HCS	HEX HEAD CAP SCREW, 1/2-13 x 1-1/4" LONG	4	4
30.	F081372HCS	HEX HEAD CAP SCREW, 1/2-13 x 9" LONG	4	4
31.	F0813DLN	DEFORMED LOCK NUT, 1/2-13	4	4
32.	F0813ELN	LOCKNUT, 1/2-13, NYLOC	4	4
33.	01235	WASHER, 57/64 X 1-1/2	2	
34.	F08SW	WASHER, 1/2"	4	4
35.	F121628HCS	HEX HEAD CAP SCREW, 3/4-16 x 3-1/2" LONG	1	1
36.	F1216HN	HEX NUT, 3/4-16	1	1
37.	F12LW	LOCK WASHER, 3/4"	1	1
38.	F1614SCN	SLOTTED HEX NUT, 1-14		2
	01174	SLOTTED HEX NUT, 3/4-16	2	
		REPLACEMENT KITS		
39.	16771	SAFETY CHAIN	1	1



Drum Assembly

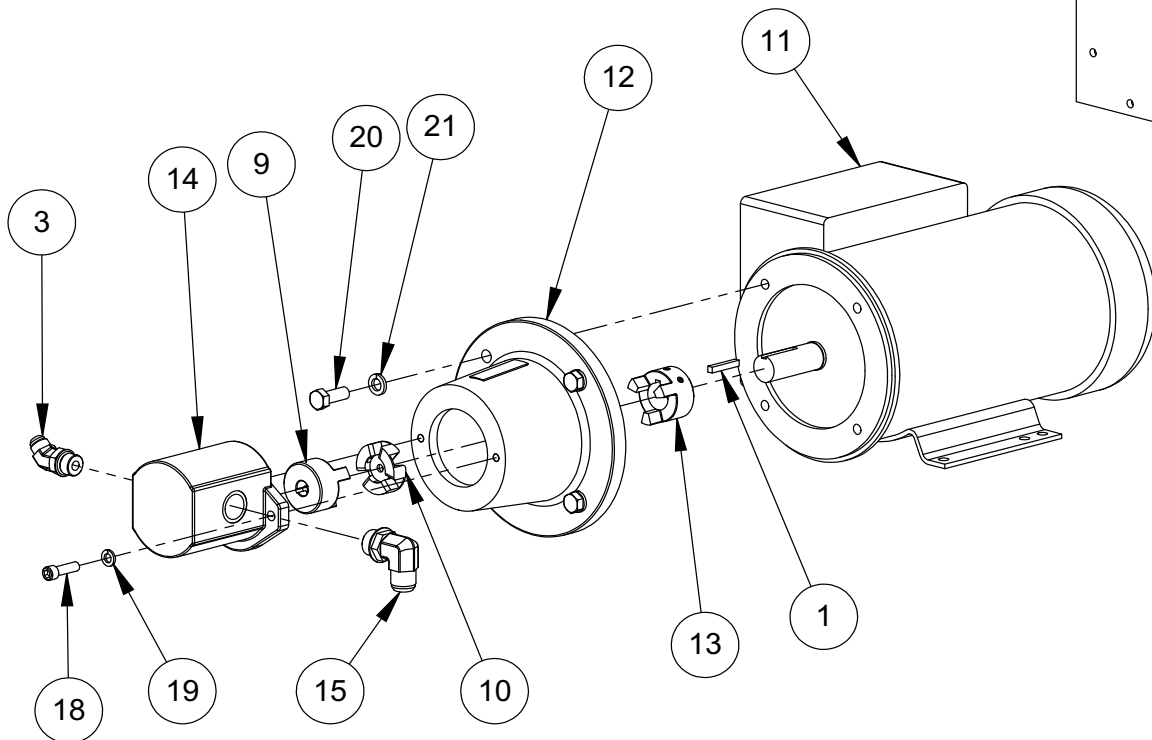
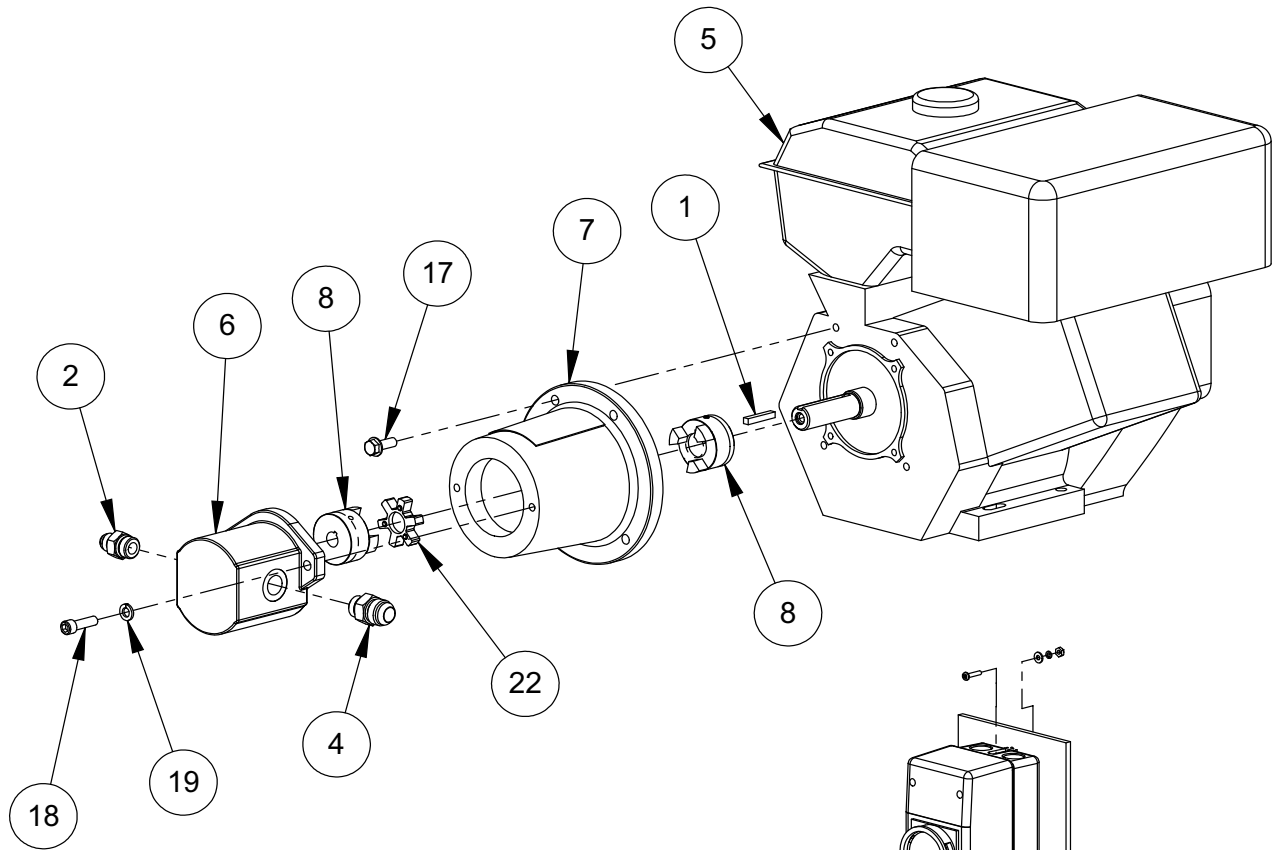


Paddle Assembly



Hydraulic Components

ITEM	PART NO.	DESCRIPTION	QTY
1.	08164	FILTER ELEMENT	1
2.	08168	HYDRAULIC FITTING, SAE-JIC ELBOW	1
3.	08213	HYDRAULIC FITTING, SAE-JIC STRAIGHT	2
4.	08218	HYDRAULIC FITTING, SAE-JIC STRAIGHT	2
5.	08519	HYDRAULIC FITTING, SAE-JIC STRAIGHT	4
6.	16166	DRAIN PLUG, MAGNETIC	1
7.	16666	CAP	1
8.	17126	KEY, 3/8" SQUARE x 1-5/8" LONG	1
9.	17142	CHAIN, COUPLER (Includes connecting link*)	1
10.	17148	SPROCKET, COUPLER	1
11.	17389	SUCTION STRAINER	1
12.	17492	HYDRAULIC MOTOR	1
13.	17510	VALVE BLOCK (Includes handles**)	1
14.	17516	CYLINDER	1
15.	17518	FILTER HEAD	1
16.	17519	SPACER	2
17.	17531	SPROCKET, COUPLER	1
18.	17532	HYDRAULIC FITTING, PIPE-JIC ELBOW	1
19.	17533	HYDRAULIC FITTING, PIPE-JIC STRAIGHT	2
20.	17556	HYDRAULIC HOSE, 1/2" x 23.00"	1
21.	17557	HYDRAULIC HOSE, 1/2" x 16.00"	1
22.	17558	HYDRAULIC HOSE, 1/4" x 34.50"	1
23.	17559	HYDRAULIC HOSE, 1/4" x 24.50"	1
24.	17560	HYDRAULIC HOSE, 1/2" x 27.00"	1
25.	17561	HYDRAULIC HOSE, 1/2" x 22.00"	2
26.	17562	HYDRAULIC HOSE, 3/4" x 20.00"	1
27.	17587	HYDRAULIC FITTING, SAE-JIC STRAIGHT	2
28.	F042004FWS	FLANGE LOCKING SCREW, 1/4-20 x 1/2" LONG	2
29.	F051820HCS	HEX HEAD CAP SCREW, 5/16-18 x 2-1/2" LONG	3
30.	F0518FN	FLANGE LOCK NUT, 5/16-18	3
31.	F061616HCS	HEX HEAD CAP SCREW, 3/8-16 x 2" LONG	4
32.	F0616HN	HEX NUT, 3/8-16	4
33.	F06LW	LOCK WASHER, 3/8"	4
34.	F06SW	WASHER, 3/8"	4
35.	F081314HCS	HEX HEAD CAP SCREW, 1/2-13 x 1-3/4" LONG	4
36.	F0813HN	HEX NUT, 1/2-13	4
37.	F08LW	LOCK WASHER, 1/2"	4
		REPLACEMENT KITS	
	*17350	CONNECTING LINK, CHAIN COUPLER	1
	**17582	HANDLE, VALVE BLOCK	2



Engine Assembly

