

PARTS MANUAL



***WHITEMAN* SERIES** **MODEL STXDF** **HYDRAULIC RIDE-ON TROWEL** **(FORD 2.5L DUAL FUEL GAS/PROPANE ENGINE)**

Revision #4 (09/30/19)

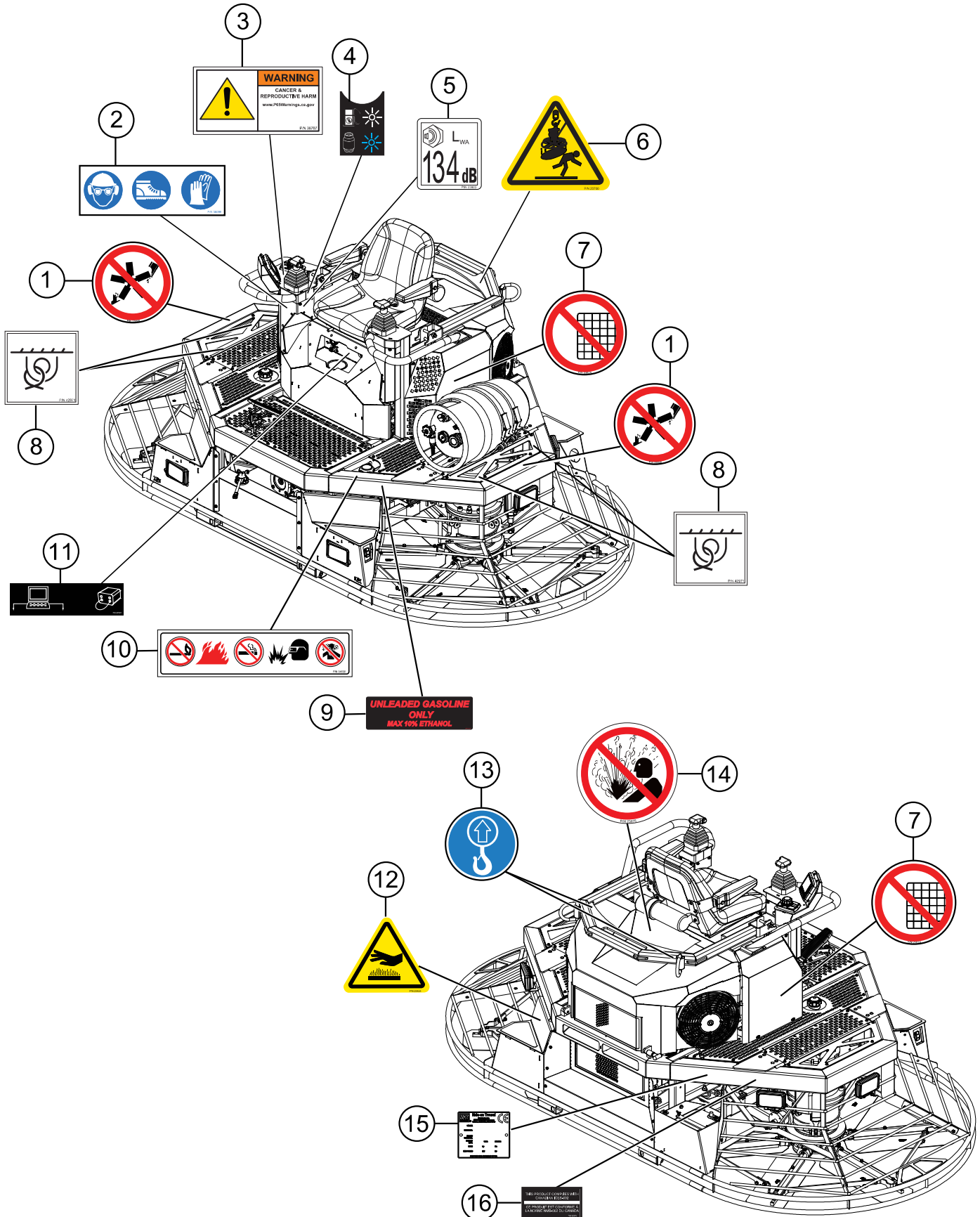
To find the latest revision of this publication or associated operation manual, visit our website at: www.multiquip.com



THIS MANUAL MUST ACCOMPANY THE EQUIPMENT AT ALL TIMES.

PN: 13414

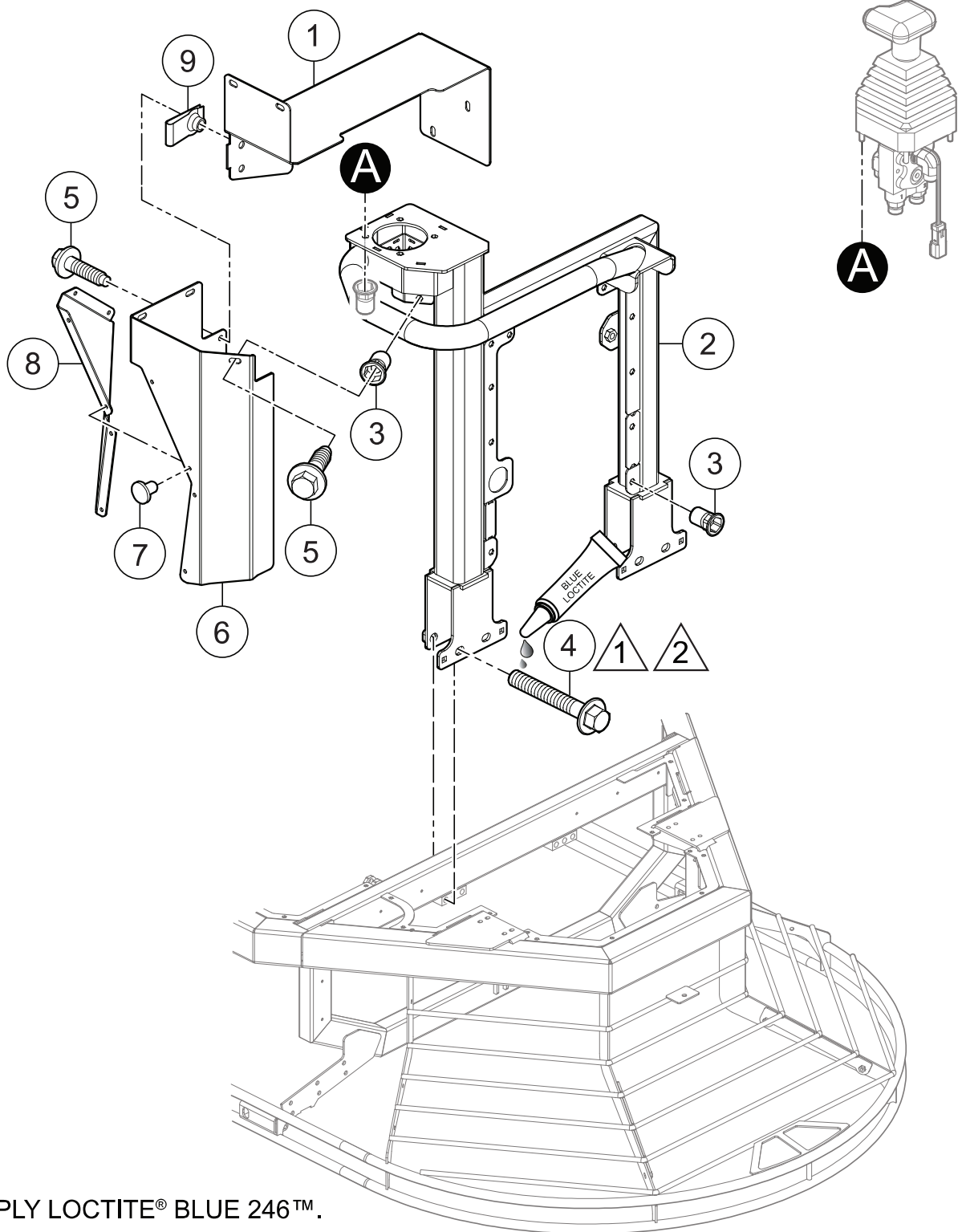
NAMEPLATE AND DECALS ASSY.



NAMEPLATE AND DECALS ASSY.

<u>NO.</u>	<u>PART NO.</u>	<u>PART NAME</u>	<u>QTY.</u>	<u>REMARKS</u>
1	23698	DECAL ISO, ROTATING BLADE HAZARD	2	
2	36099	DECAL ISO, PROTECTIVE CLOTHING, 3.50" X 1.13"	1	
3	38707	DECAL, CANCER AND REPRODUCTIVE HARM	1	
4	43739	DECAL, PUSH BUTTON FUEL SELECTOR	1	
5	23803-134	DECAL, GUARANTEED SOUND POWER LEVEL	1	
6	23700	DECAL ISO, LIFTING/CRUSH, 2.4" X 2.0"	1	
7	23874	DECAL ISO, DO NOT REMOVE GUARDS, HAZARD	2	
8	42971	DECAL ISO, TIE-DOWN	4	
9	23587	UNLEADED GASOLINE ONLY MAX 10% ETHANOL	1	
10	34630	DECAL ISO, FIRE, EXPLOSION, SMOKING HAZARD	1	
11	42595	DECAL, SERVICE TOOL, JUMPER	1	
12	23808	DECAL ISO, HOT SURFACE HAZARD	1	
13	34626	DECAL ISO, LIFTING POINT, 2.00" DIA.	2	
14	23875	DECAL ISO, HOT COOLANT, 2.00" DIA.	1	
15	13818	SN TAG, CE ROT	1 CONTACTMQPARTS
16	32578	DECAL, CANADIAN COMPLIANCE	1	

LEFT FRAME CONSOLE ASSY.



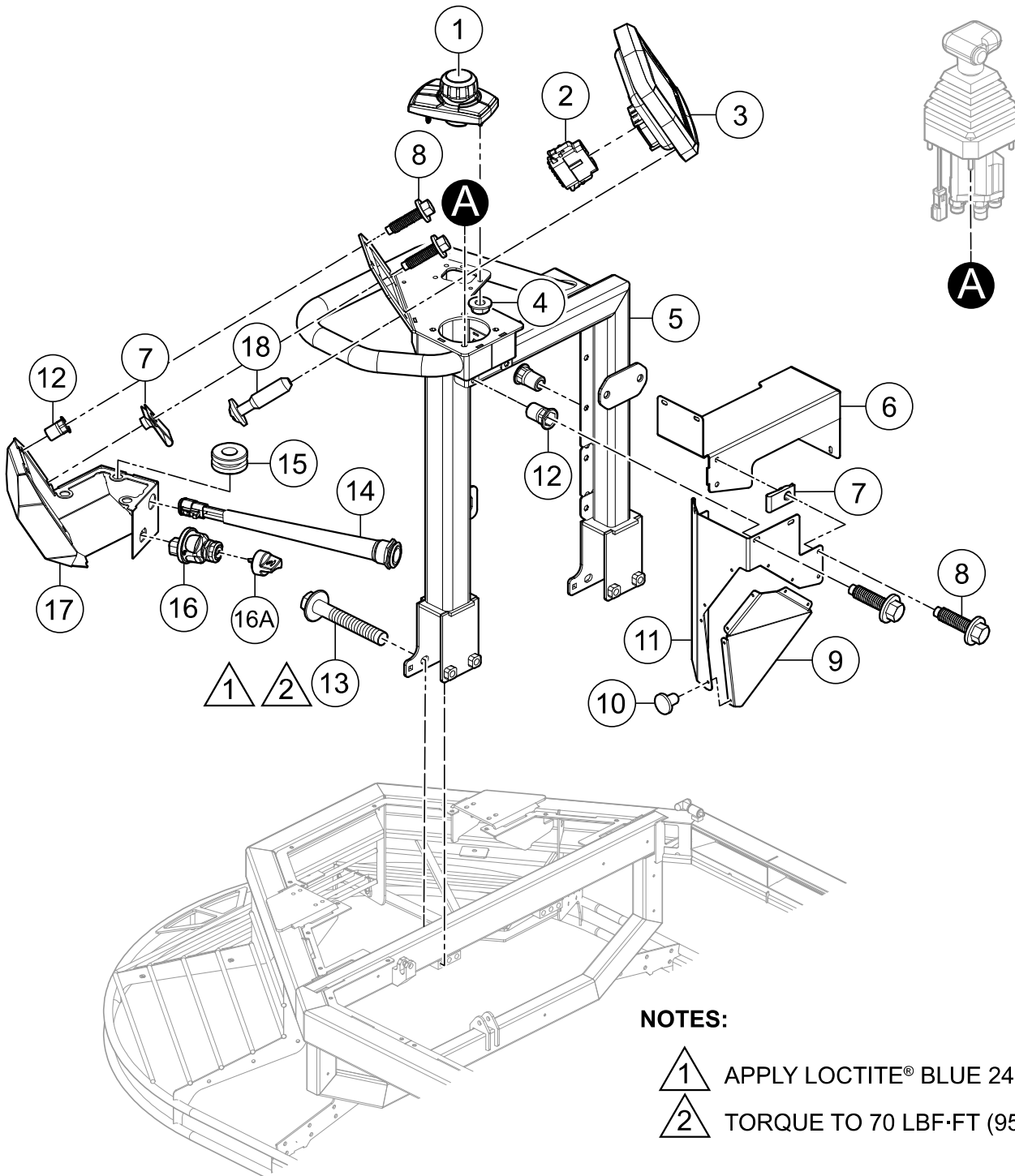
NOTES:

- 1** (triangle symbol) APPLY LOCTITE® BLUE 246™.
- 2** (triangle symbol) TORQUE TO 70 LBF·FT (95 N·M).



LEFT FRAME CONSOLE ASSY.

<u>NO.</u>	<u>PART NO.</u>	<u>PART NAME</u>	<u>QTY.</u>	<u>REMARKS</u>
1	43633	COVER, LEFT INTERIOR	1	
2	43371	FRAME, LIFT -L	1	
3	42496	NUT, BLIND HEX M6-1.0	15	
4	9176	SCREW, HHF M12-1.75 X 80MM GR10.9	4	
5	42325	SCREW, HHC, M6-1.0 X 20, CAPTIVE WASHER	9	
6	43635	COVER, LEFT JOYSTICK HOSE	1	
7	19847	RIVET, POP, ALUM, 3/16 X 1/8-1/4	6	
8	43637	PANEL, LEFT JOYSTICK FILL	1	
9	32916	NUT, U-STYLE, M6-1 X 0.8 - 4MM, BK	2	

RIGHT FRAME CONSOLE ASSY.



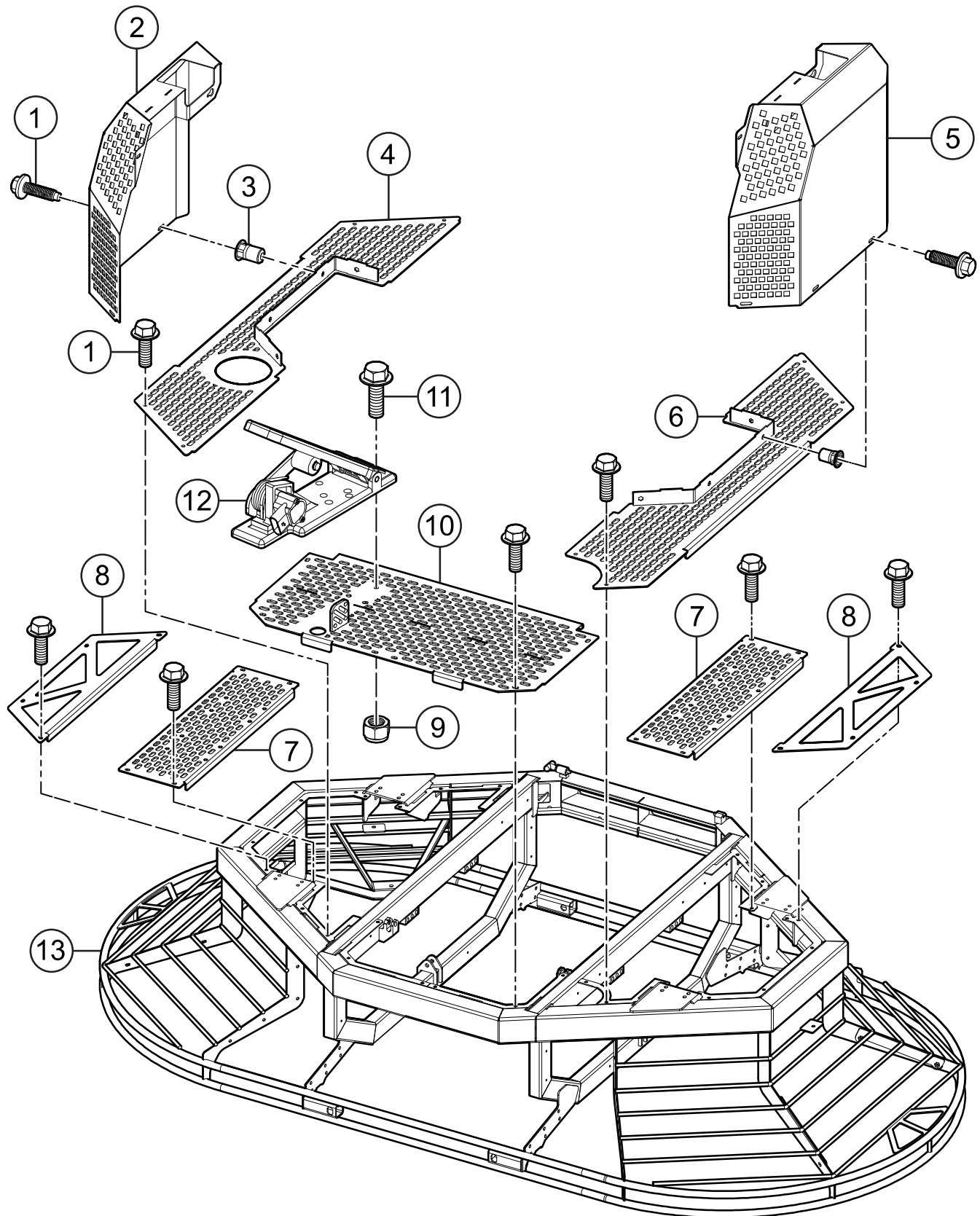
NOTES:

-  1 APPLY LOCTITE® BLUE 246™.
-  2 TORQUE TO 70 LBF-FT (95 N·M).

RIGHT FRAME CONSOLE ASSY.

<u>NO.</u>	<u>PART NO.</u>	<u>PART NAME</u>	<u>QTY.</u>	<u>REMARKS</u>
1	43069	SWITCH, MULTIFUNCTION, GRAYHILL	1	
2	43744	CONNECTOR CAP KIT, DEUTSCH DTM06-12S	1	
3	43327	DISPLAY, PARKER, IQAN MD3	1	
4	42352	NUT, HEX, SERRATED-FLANGE, M6-1.0	3	
5	43370	FRAME, LIFT -R	1	
6	43634	COVER, RIGHT INTERIOR	1	
7	32916	NUT, U-STYLE, M6-1 X 0.8 - 4MM, BK	4	
8	42325	SCREW, HHC, M6-1.0 X 20, CAPTIVE WASHER	9	
9	43638	PANEL, RIGHT JOYSTICK FILL	1	
10	19847	RIVET, POP, ALUM, 3/16 X 1/8-1/4 GRIP	6	
11	43636	COVER, RIGHT JOYSTICK HOSE	1	
12	42496	NUT, BLIND HEX M6-1.0	17	
13	9176	SCREW, HHF M12-1.75 X 80MM GR10.9 PATCH	4	
14	43756	SWITCH ASSEMBLY, PUSHBUTTON	1	
15	38191	GROMMET, RUBBER, .375" ID X .875" OD	3	
16	23959	SWITCH, IGNITION.....	1	INCLUDESITEMSW/\$
16A\$	23959-01	KEY, IGNITION SWITCH	1	
17	43608	COVER, OPERATOR CONTROLS	1	
18	43743	SCREW, PT-WN1411 K40 X 16MM	4	

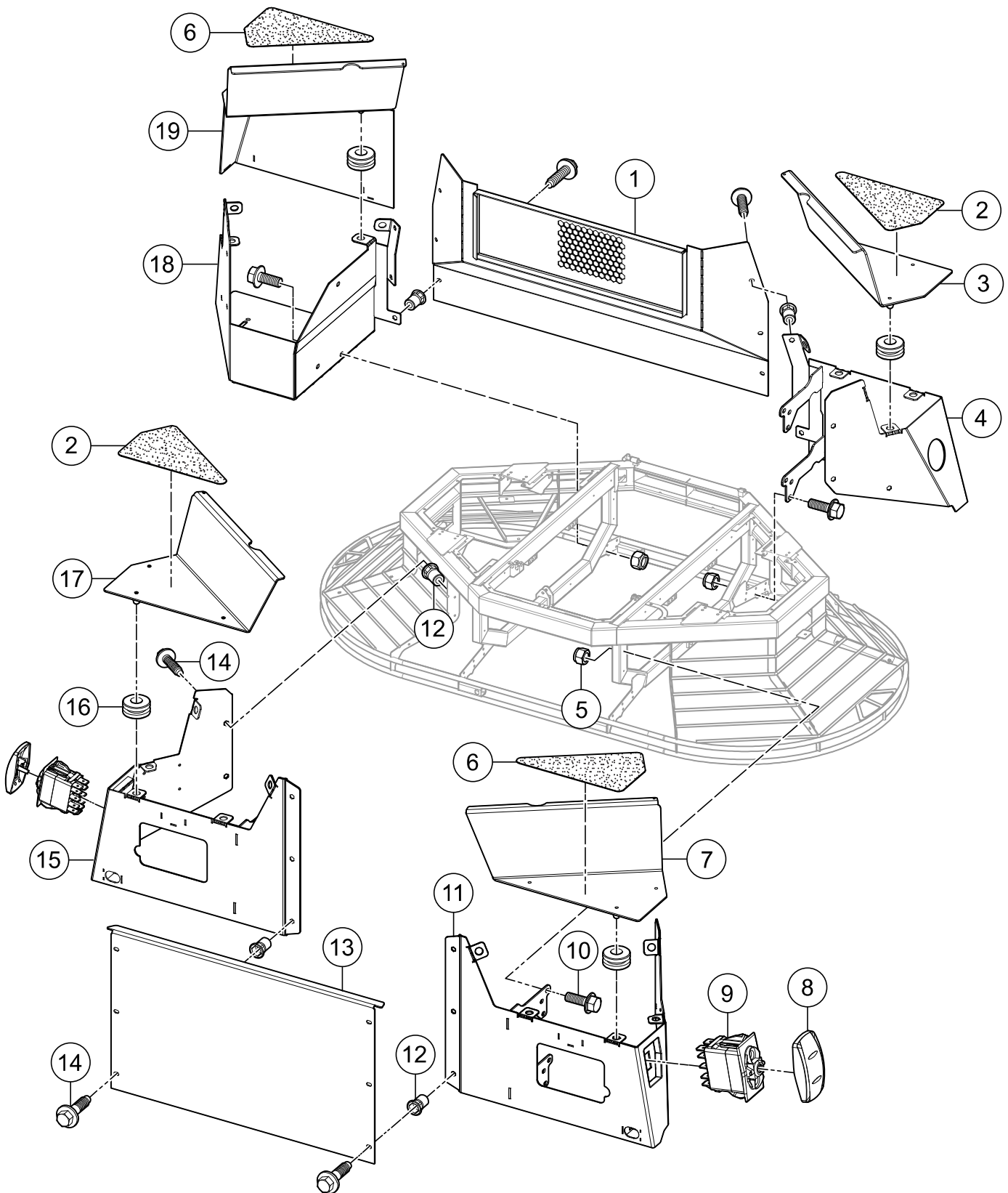
FRAME AND PLATFORM ASSY.



FRAME AND PLATFORM ASSY.

<u>NO.</u>	<u>PART NO.</u>	<u>PART NAME</u>	<u>QTY.</u>	<u>REMARKS</u>
1	42325	SCREW, HHC, M6-1.0 X 20, CAPTIVE WASHER	48	
2	43518	COVER, LEFT W/A	1	
3	42496	NUT, BLIND HEX M6-1.0	16	
4	43496	PLATFORM, RIGHT, INNER W/A	1	
5	43517	COVER, RIGHT W/A	1	
6	43495	PLATFORM, LEFT, INNER W/A	1	
7	43499	PLATFORM, CENTER	2	
8	43500	PLATFORM, OUTSIDE	2	
9	42344	NUT, NYLOC, M8-1.25, CLASS 8.8	3	
10	43493	PANEL, FOOT PEDAL, W/A	1	
11	15226	SCREW, HHC FLANGED M8-1.25 X 25MM	3	
12	43144	PEDAL, FOOT	1	
13	43155	FRAME, 4TH GENERATION	1	

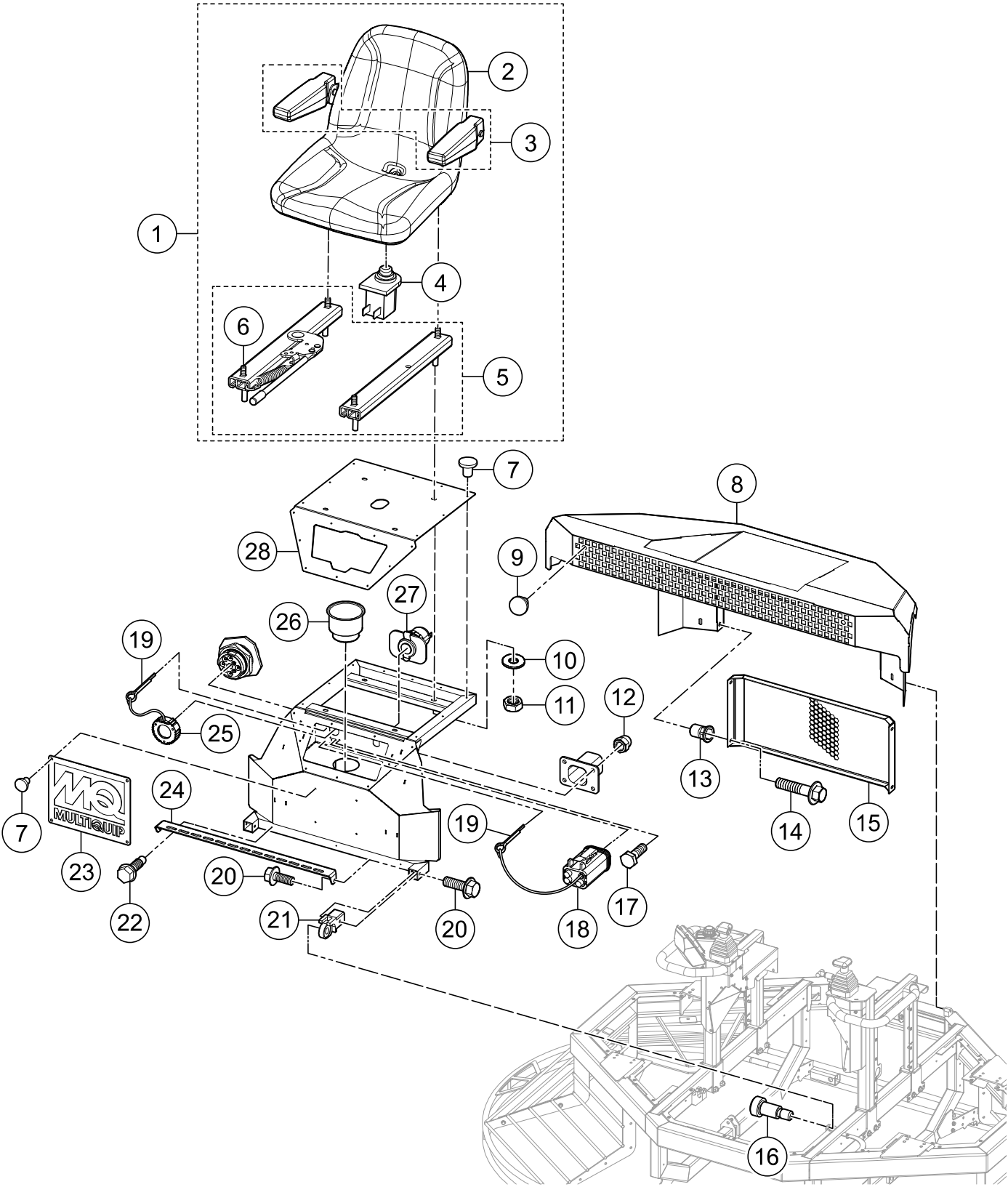
COWLING ASSY.



COWLING ASSY.

<u>NO.</u>	<u>PART NO.</u>	<u>PART NAME</u>	<u>QTY.</u>	<u>REMARKS</u>
1	43522	COWLING W/A, REAR MIDDLE	1	
2	43603	TREAD, STEP, RIGHT	2	
3	43598	STEP W/A, REAR, LEFT	1	
4	43527	COWLING W/A, REAR LEFT	1	
5	42344	NUT, NYLOC, M8-1.25, CLASS 8.8	8	
6	43591	TREAD, STEP, LEFT	2	
7	43534	STEP W/A, FRONT LEFT	1	
8	42179-001	ACTUATOR, CARLING CONTURA V-SERIES	2	
9	42178-003	SWITCH BASE, CARLING CONTURA SERIES	2	
10	42343	SCREW, HFS, ZP, M8-1.25 X 20, CLASS 8.8	12	
11	43467	COWLING W/A, FRONT LEFT	1	
12	42496	NUT, BLIND HEX M6-1.0	24	
13	43520	COWLING, FRONT MIDDLE	1	
14	42325	SCREW, HHC, M6-1.0 X 20, CAPTIVE WASHER	24	
15	43602	COWLING W/A, FRONT RIGHT	1	
16	38191	GROMMET, RUBBER, .375" ID X .875" OD	21	
17	43604	STEP W/A, FRONT RIGHT	1	
18	43596	BOX W/A, BATTERY	1	
19	43530	STEP W/A, REAR RIGHT	1	

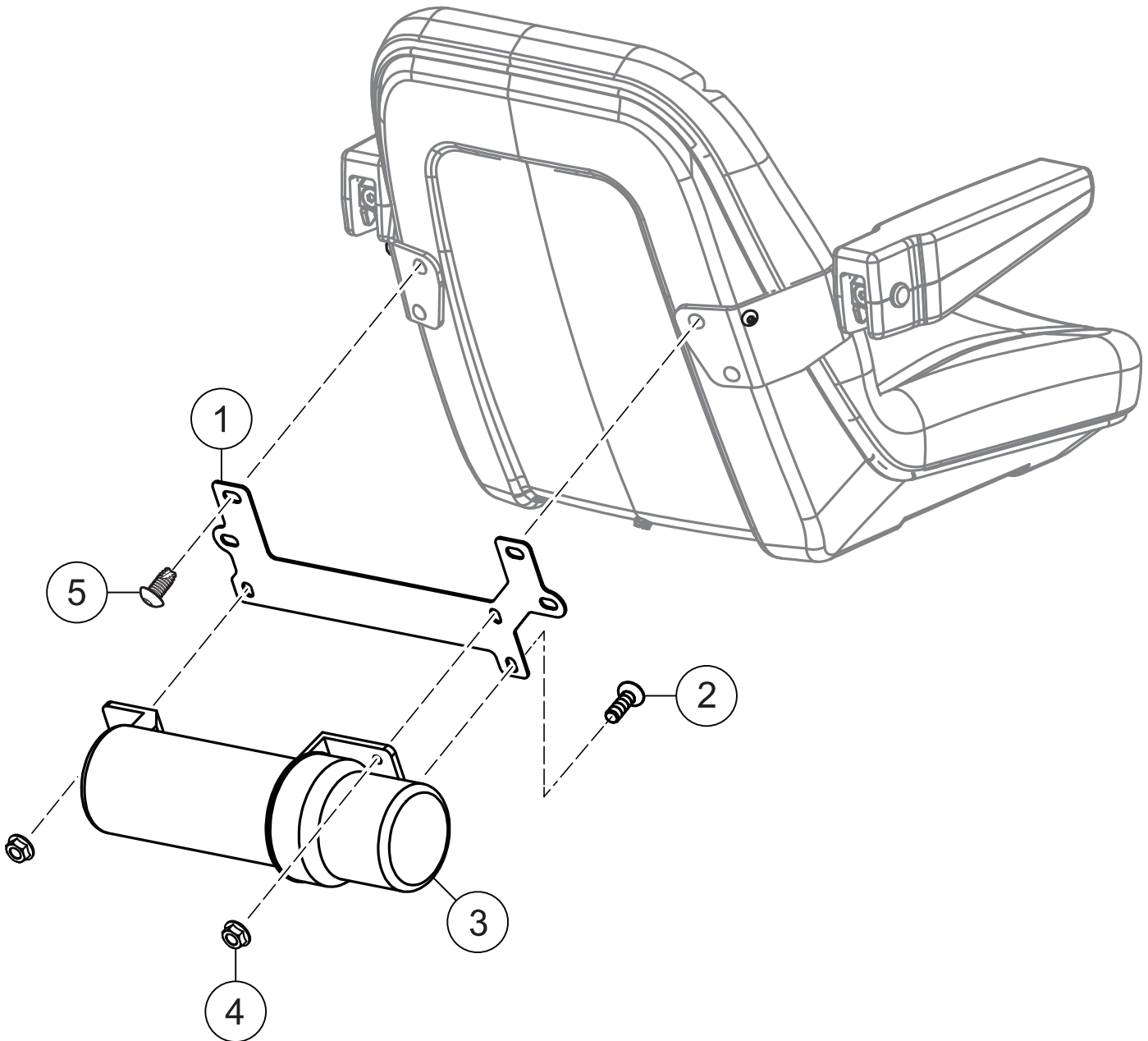
SEAT FRAME ASSY.



SEAT FRAME ASSY.

<u>NO.</u>	<u>PART NO.</u>	<u>PART NAME</u>	<u>QTY.</u>	<u>REMARKS</u>
1	21852	SEAT, MICHIGAN-ADJUSTABLE W/ARMS.....	1.....	INCLUDESITEMSW/\$
2\$	21860	SEAT, BASIC MICHIGAN V-2805 SERIES	1	
3\$	21868	ARMREST KIT, MICHIGAN V-2805 SEAT	1	
4\$	21870	KILL SWITCH, DELTA SYSTEMS 6440-62	1	
5\$	21865	SEAT ADJUSTER KIT, MICHIGAN V-2805	1	
6	0400 B	SCREW, HHC 5/16-18 X 1/2	4	
7	19847	RIVET, POP, ALUM, 3/16 X 1/8-1/4 GRIP	22	
8	43620	HOOD, STXDF	1	
9	21597	BUMPER, STEM 1.0"D X .5S X .31	2	
10	933241	WASHER, FLAT SAE 5/16" GRD 9 YZ	4	
11	5283	NUT, NYLOC 5/16-18	4	
12	15518-004	NUT, HHC, NYLOC, M4-0.7	4	
13	42496	NUT, BLIND HEX M6-1.0	4	
14	43724	SCREW, HHFS M6-1.0 X 25MM CLASS 8.8	4	
15	43628	PANEL, HOOD MESH	1	
16	9162	SCREW, SHSLDR M16 X M25 M12-1.75 PATCH	2	
17	28922-083	SCREW, HHC M4-0.7 X 12MM	4	
18	42440	LANYARD, 4-WAY PLUG, DT SERIES	1	
19	5117	PIN, COTTER 1/16" X 1/2"	2	
20	42342	SCREW, HHFS, M8-1.25 X 16 GR 8.8	4	
21	43484	PIVOT, SEAT FRAME	2	
22	9509	SCREW, TEK 12 X 3/4 SELF TAP	3	
23	43758	BADGE, MQ RIVET	1	
24	43686	PANEL, FOOT PLATFORM HEEL	1	
25	42442	CON. CAP, DEUTSCH, HD10, 9 PIN WLANYARD	1	
26	43643	CUP HOLDER, STAINLESS STEEL	1	
27	42780	ACCESSORY PORT, USB POWER	1	
28	43486	PANEL, OPERATOR CAB TOP	1	

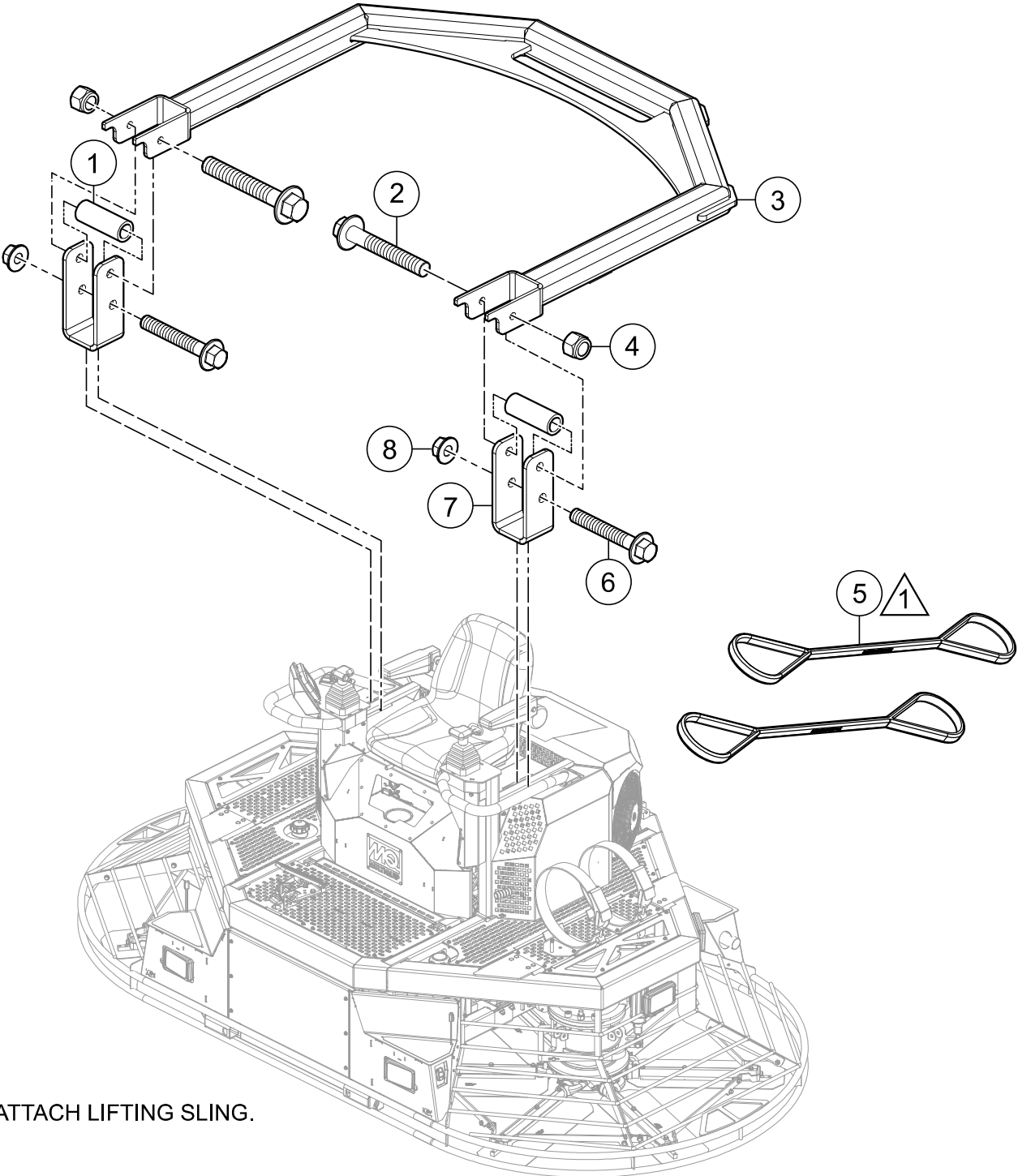
DOCUMENT HOLDER ASSY.



DOCUMENT HOLDER ASSY.

<u>NO.</u>	<u>PART NO.</u>	<u>PART NAME</u>	<u>QTY.</u>	<u>REMARKS</u>
1	42541	BRACKET, DOCUMENT HOLDER	1	
2	49048	SCREW, HHFS 1/4-20 X 3/4" GR5	3	
3	23297	MANUAL HOLDER, PICTOGRAPH SAE J232	1	
4	49070	NUT, HFS, 1/4-20	3	
5	21869	SCREW, BHC 5/16-18 X 5/8" SELF TAP	6	

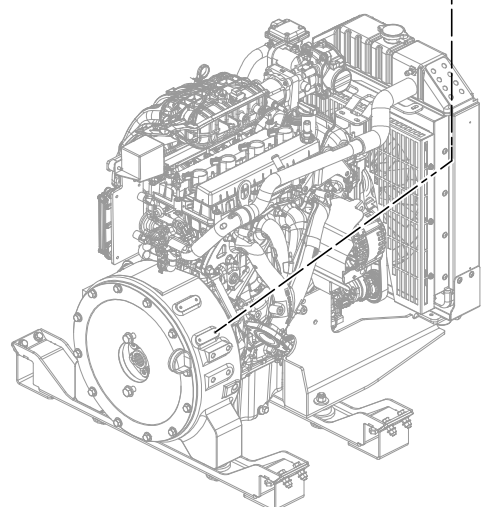
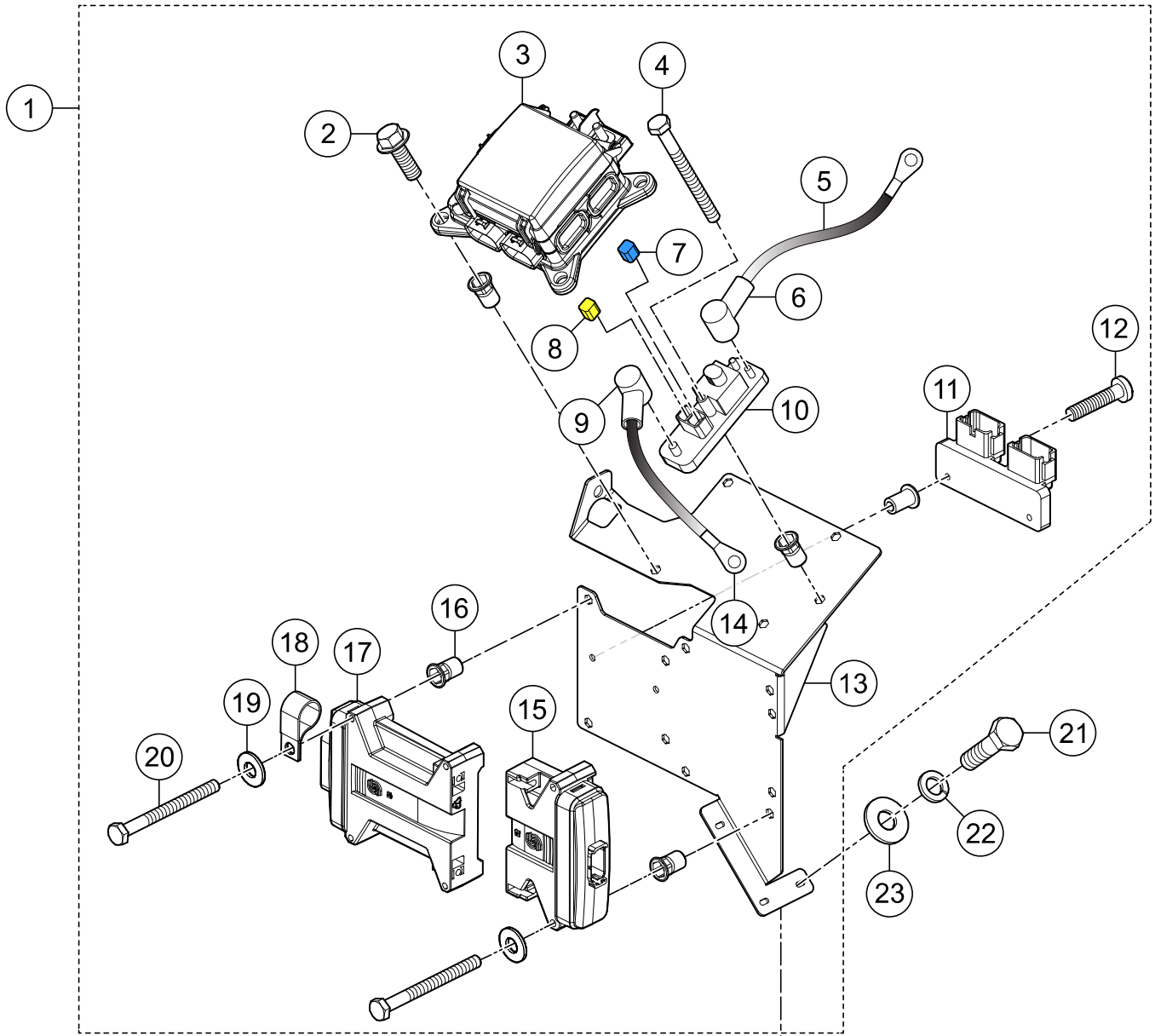
LIFTING BAIL ASSY.



LIFTING BAIL ASSY.

<u>NO.</u>	<u>PART NO.</u>	<u>PART NAME</u>	<u>QTY.</u>	<u>REMARKS</u>
1	43749	SPACER, LIFTING BAIL	2	
2	23288	SCREW, HHF M12-1.75 X 100 GR 10.9 PATCH	2	
3	43646	LIFTING BAIL	1	
4	021112140	NUT, HEX, NYLOC, M12-1.75	2	
5	23165	SLING, LIFTING	2	
6	9176	SCREW, HHF M12-1.75 X 80MM GR10.9 PATCH	2	
7	43629	PLATE, LIFT	2	
8	42451	NUT, HEX, SERRATED-FLANGE, M12-1.75	2	

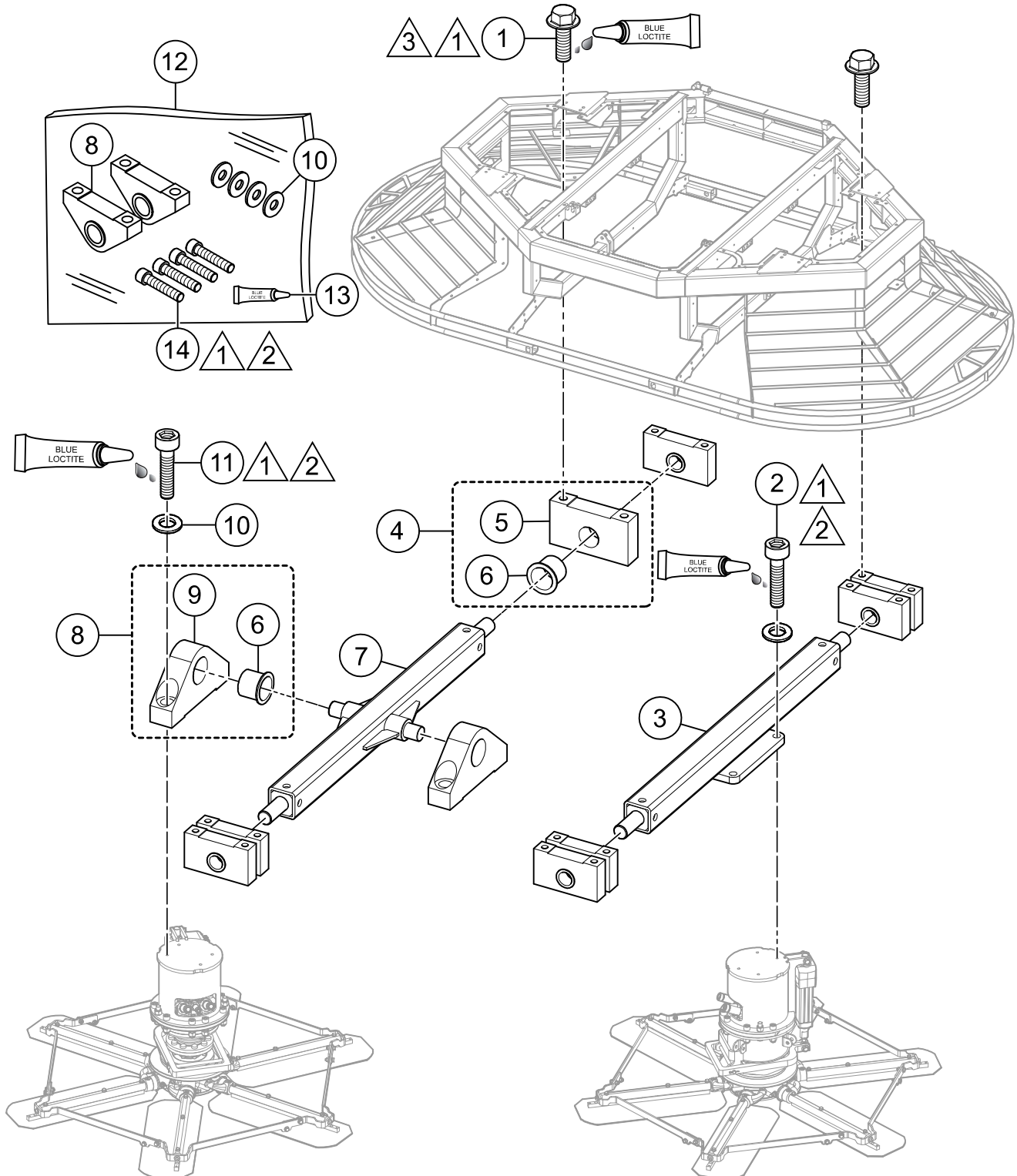
ELECTRICAL CONTROL PANEL ASSY.





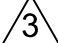
ELECTRICAL CONTROL PANEL ASSY.

<u>NO.</u>	<u>PART NO.</u>	<u>PART NAME</u>	<u>QTY.</u>	<u>REMARKS</u>
1	43399	ELECTRICAL ASSEMBLY	1.....	INCLUDES ITEMS W/\$
2\$	42347	SCREW, HFS, ZP, M6-1.0 X 30, CLASS 8.8	4	
3\$	43142	FUSE BOX	1	
4\$	25307	SCREW, HHC M6-1.0 X 50MM	1	
5\$	42433	CABLE, BAT POS, 8GA, 8"	2	
6\$	2762	BOOT, TERMINAL	2	
7\$	22725-200	FUSE, 20 AMP J CASE	1	
8\$	22725-600	FUSE, 60 AMP J CASE	1	
9\$	42981	BOOT, TERMINAL, 8-2GA, RED	1	
10\$	42140	MODULE, POWER RELAY	1	
11\$	42713	BUS BAR, DEUTSCH STYLE, 24 PIN	1	
12\$	35299	SCREW, PHP M4-0.7 X 25MM	2	
13\$	43398	PANEL, ELECTRICAL	1	
14\$	12675	CABLE, BATTERY POS, 4 GA X 36"	1	
15\$	43362	IO MODULE, PLUS 1	1	
16\$	42496	NUT, BLIND HEX M6-1.0	11	
17\$	42072	CONTROLLER, MC 050-120	1	
18\$	32083	CLAMP, LOOP-VINYL 1.0"DIA	2	
19\$	0948	WASHER, FLAT SAE 1/4"	6	
20\$	43153	SCREW, HHC, M6-1.0 X 65MM	6	
21	32527	SCREW, HHC 10-32 X 3/4" SS	3	
22	19780	WASHER, LOCK #10 MED	3	
23	2203	WASHER, FLAT, #10	3	

PIVOT ASSY.



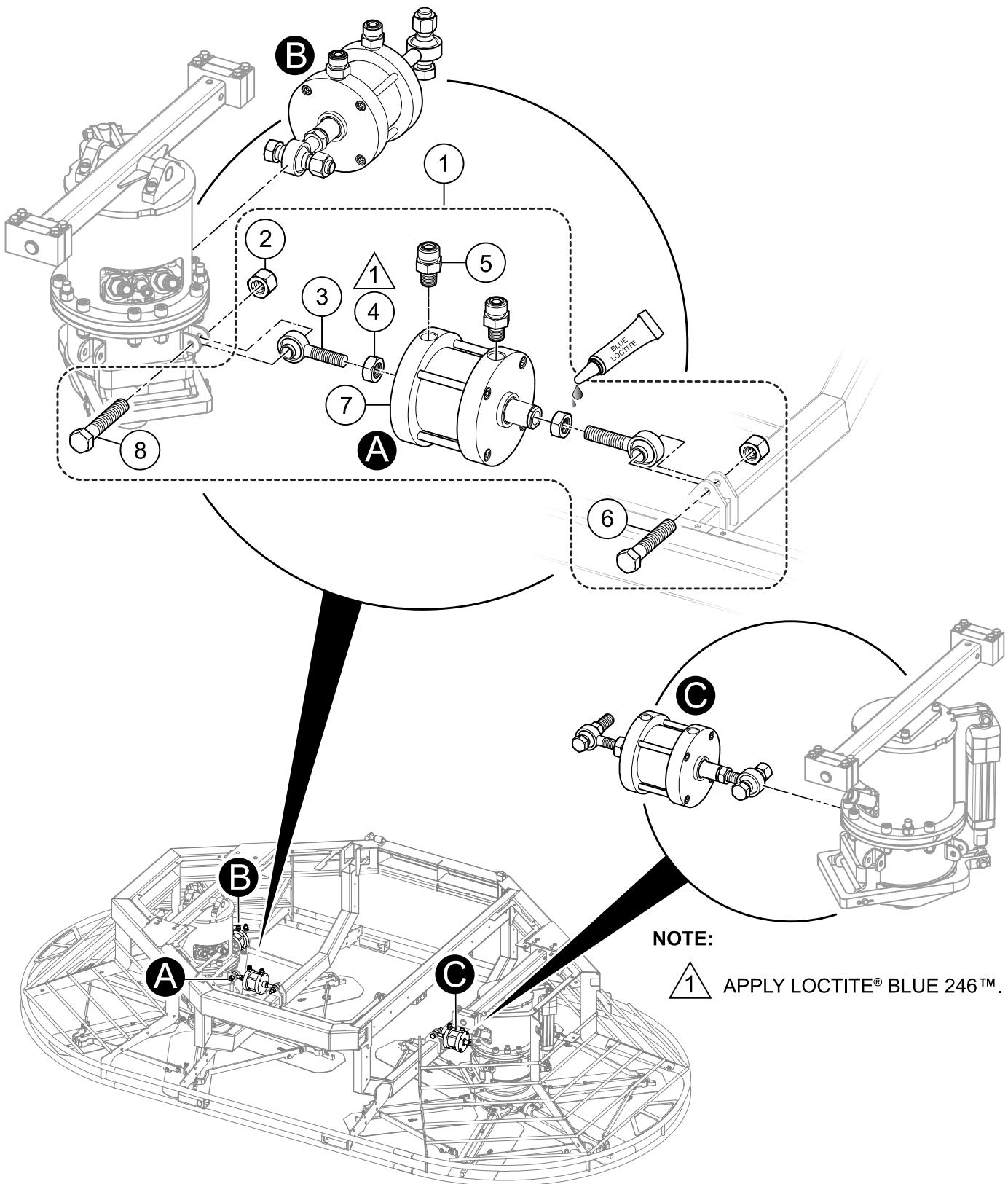
NOTES:

-  1 APPLY LOCTITE® BLUE 246™.
-  2 TORQUE TO 50 LBF·FT (68 N·M).
-  3 TORQUE TO 40 LBF·FT (54 N·M).

PIVOT ASSY.

<u>NO.</u>	<u>PART NO.</u>	<u>PART NAME</u>	<u>QTY.</u>	<u>REMARKS</u>
1	32976	SCREW, HHFS M10-1.5 X 25 GR 10.9	16	
2	939654	SCREW, SHC M12-1.75 X 30MM 12.9 NP	14	
3	43106	TRUNNION W/A, SINGLE DOF	1	
4	43152	PIVOT BLOCK ASSEMBLY, MOTOR MOUNT W/BUSHING....	8.....	INCLUDESITEMSW/\$
5\$	43151	PIVOT BLOCK, ROTOR MOUNT	8	
6\$#%	10221	BUSHING, GLIDE IGUS #TFI-1618-16	12	
7	43194	TRUNNION, SQ DOUBLE DOF, W/A	1	
8%	42280	BLOCK, MOTOR MOUNT 2 DOF PIVOT, ASSEMBLY.....	4.....	INCLUDESITEMSW/#
9#	3942280	PIVOT BLOCK, MOTOR MOUNT	4	
10%	43180	WASHER, FLAT M12, DIN 433	12	
11	32977	SCREW, SHC M12-1.75 X 45 GR 12.9	4	
12	42280-SK	SERVICE KIT, BLOCK MOTOR MOUNT 2 DOF PIVOT	1.....	INCLUDESITEMSW/%
13%	1477	LOCTITE 242 BLUE .5 CC	1	
14%	43181	SCREW, SHC M12 X 60, DIN 912, GR 12.9	4	

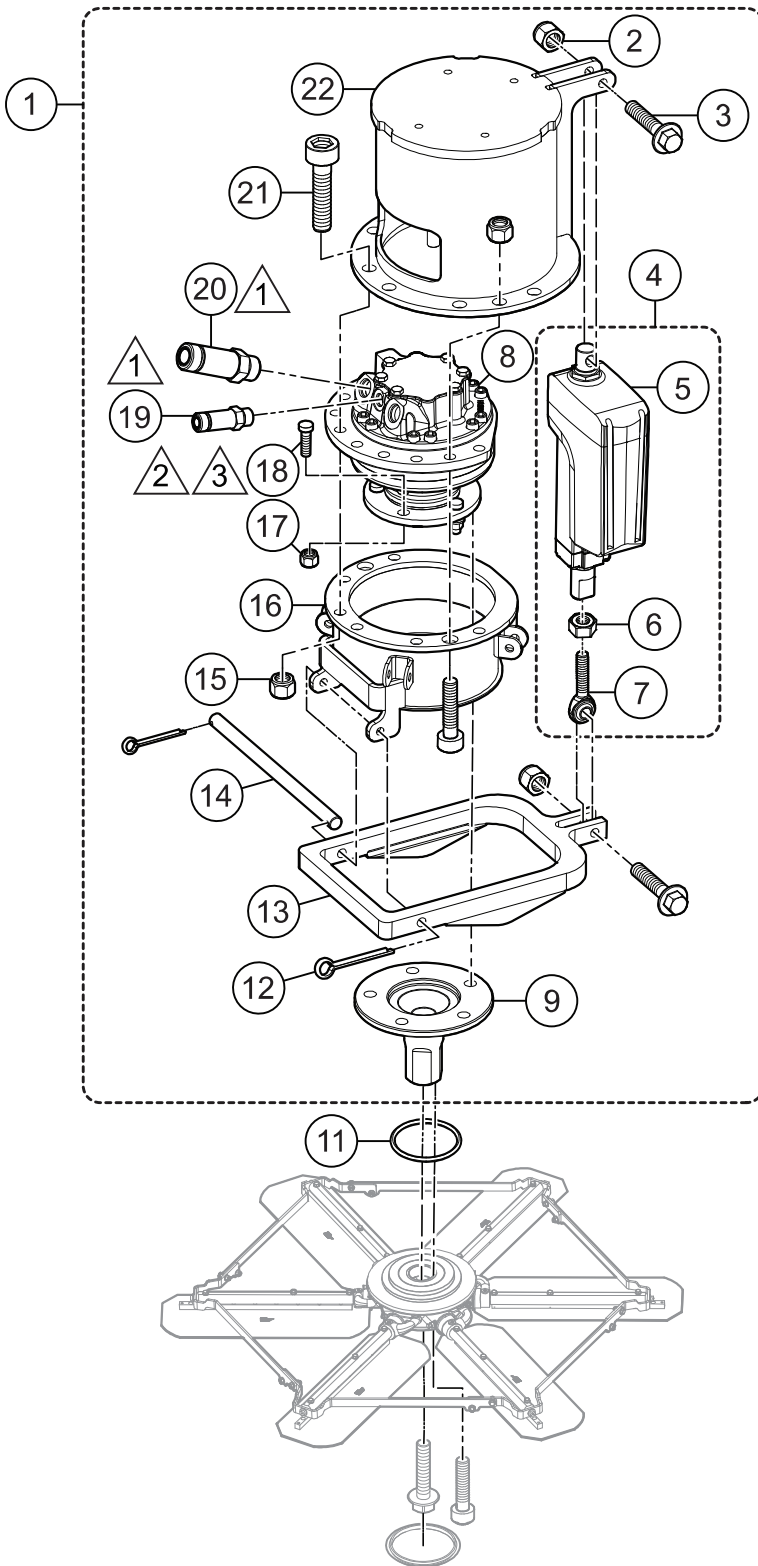
HYDRAULIC STEERING ASSY.






HYDRAULIC STEERING ASSY.

<u>NO.</u>	<u>PART NO.</u>	<u>PART NAME</u>	<u>QTY.</u>	<u>REMARKS</u>
1	42226	CYLINDER ASSEMBLY, HYD. STEERING.....	3.....	INCLUDESITEMSW/#
2#	10176	NUT, NYLOC 1/2-13	6	
3#	21944	ROD END, 1/2-20 M RH W/CUSTOM BALL	6	
4#	11146	NUT, HEX JAM 1/2-20 PLATED	6	
5#	32350	FITTING, 6MORFS X 04MP STR	6	
6#	13178	SCREW, HHC 1/2-13 X 2 1/4 GR5	3	
7#	12056	CYLINDER, 2.5" BORE X 1.5" STR X .75" ROD	3	
8#	12318	SCREW, HHC 1/2-13 X 2 3/4	3	

HYDRAULIC MOTOR ASSY.



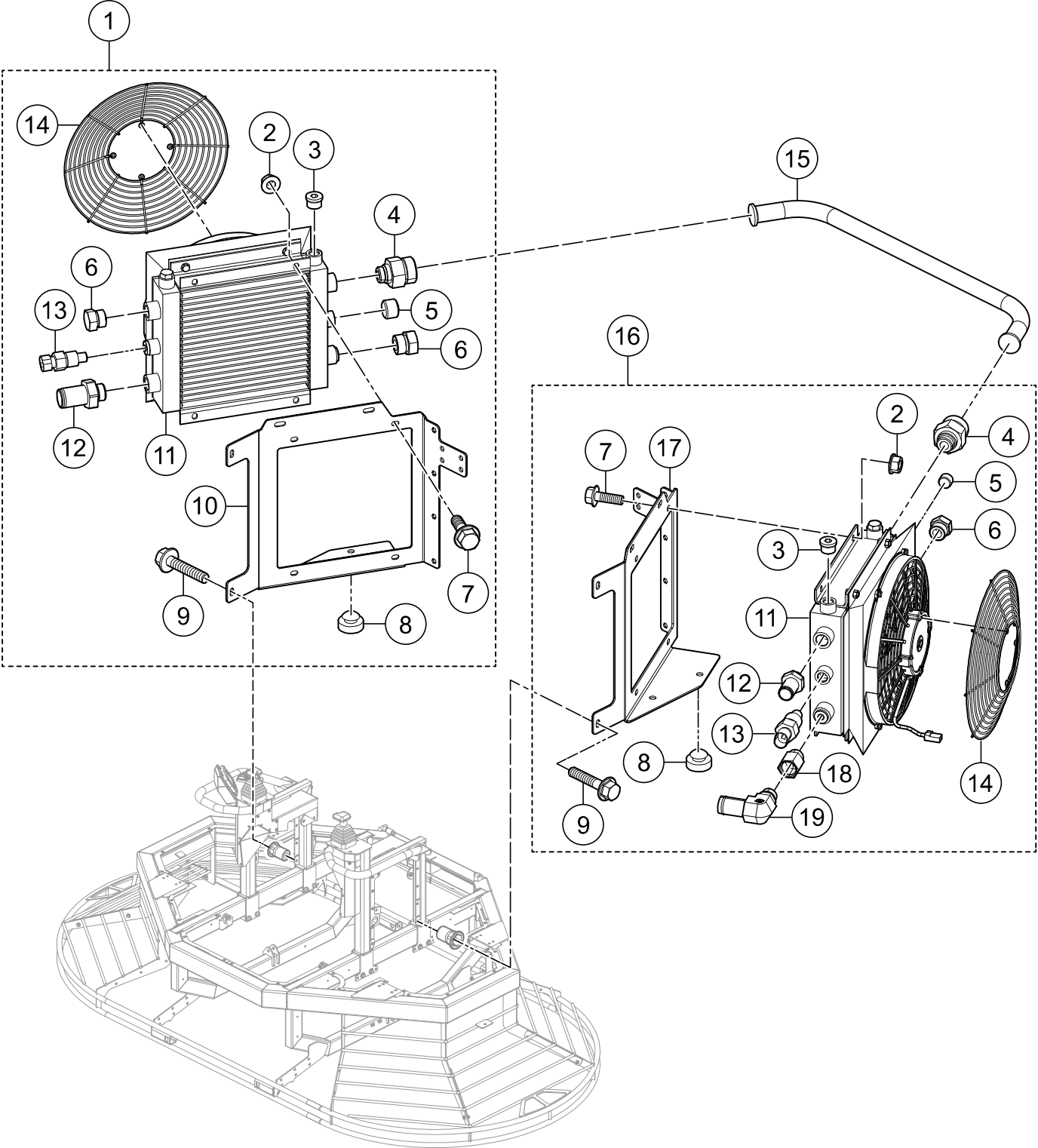
NOTES:

-  1 INSTALL AFTER HOUSING ASSEMBLY.
-  2 APPLY LOCTITE® BLUE 246™.
-  3 TORQUE TO 103 LBF·FT (140 N·M).

HYDRAULIC MOTOR ASSY.

<u>NO.</u>	<u>PART NO.</u>	<u>PART NAME</u>	<u>QTY.</u>	<u>REMARKS</u>
1	43104	MOTOR, RPM HOUSING ASSEMBLY	2.....	INCLUDES ITEMS W/#
2#	21112140	NUT, HEX, NYLOC, M12-1.75	4	
3#	9185	SCREW, HHF M12-1.75 X 6 GR 10.9 PATCH	4	
4#	43789	THOMSON ACTUATOR, ASSEMBLY	2.....	INCLUDES ITEMS W/\$
5#	43677	ACTUATOR, LINEAR THOMSON	2	
6#	43725	NUT, JAM, M12-1.75	2	
7#	43231	ROD END, M12 MALE SPHERICAL	2	
8#	43066	MOTOR, HYDRAULIC, MCR5, 520CC	2.....	INCLUDES ITEMS W/%
9#	43105	ADAPTOR, ROUND DRIVE, HYDROSTAT	2	
11	43186	O-RING, SIZE 2-226 VITON	2	
12#	0183	PIN, COTTER 1/8" X 1-1/4"	4	
13#	43092	YOKE, W/A	2	
14#	43075	PIN, YOKE PIVOT	2	
15#	17097	NUT, NYLOC M16-2.00, DIN 985	16	
16#	43085	HOUSING, LOWER RPM MOTOR, W/A	2	
17#%	43066-2	NUT, REXROTH MOTOR M14-1.5	10	
18#%	43066-1	STUD, REXROTH MOTOR M14-1.5	10	
19#	42997	FITTING, STR LONG, 8MORFS X 8MOR	2	
20#	42996	FITTING, STR LONG, 12MORFS X 12MOR	4	
21#	17107	SCREW, SHC M16-2.00 X 60, DIN912	16	
22#	43080	HOUSING, UPPER RPM MOTOR, W/A	2	

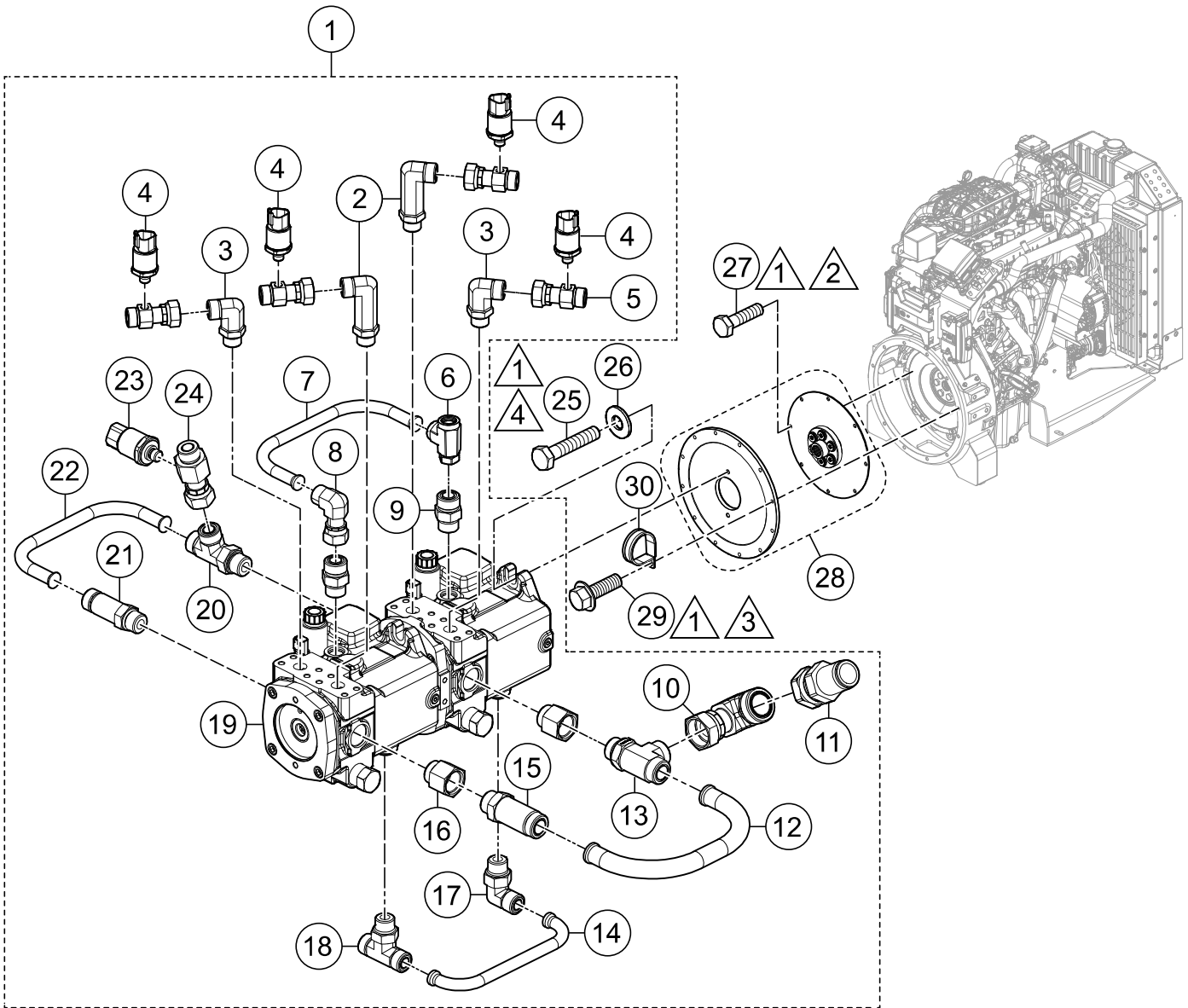
HEAT EXCHANGER ASSY. (LEFT AND RIGHT)





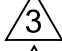
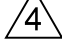
HEAT EXCHANGER ASSY. (LEFT AND RIGHT)

<u>NO.</u>	<u>PART NO.</u>	<u>PART NAME</u>	<u>QTY.</u>	<u>REMARKS</u>
1	43463	HEAT EXCHANGER ASSEMBLY, RH	1.....	INCLUDES ITEMS W/\$
2\$#	23802	NUT, HEX FLANGE M8-1.25 SERRATED	8	
3\$#	368700	FITTING, PLUG 8MO HEX SKT HD	4	
4\$#	43580	FITTING, -10 MORB TO -16MORFS	2	
5\$#	5016 B	FITTING, PLUG 3/8MP HEX SKT HD	2	
6\$#	32468	FITTING, PLUG - ORING - 10	3	
7\$#	15226	SCREW, HHC FLANGED M8-1.25 X 25MM	8	
8\$#	21597	BUMPER, STEM 1.0"D X .5S X .31	4	
9\$#	42347	SCREW, HFS, ZP, M6-1.0 X 30, CLASS 8.8	4	
10\$	43462	BRACKET, RH HEAT EXCHANGER	1	
11\$#	42648	HEAT EXCHANGER, HYDRAULIC, TIER 4	2	
12\$#	43479	FITTING, PARKER -10MORB TO -16BARB	2	
13\$#	22746	SENSOR, TEMPERATURE-HYD OIL	2	
14\$#	43464	GUARD, WIREFORM	2	
15	43340	HARDLINE, COOLER	1	
16	43461	HEAT EXCHANGER ASSEMBLY, LH	1.....	INCLUDES ITEMS W/#
17#	43460	BRACKET, HEAT EXCHANGER	1	
18#	43667	FITTING, STR, -10MORX-10FORB	1	
19#	43699	FITTING, 90DEG, -10MORBX-16BARB	1	

HYDRAULIC PUMP ASSY.



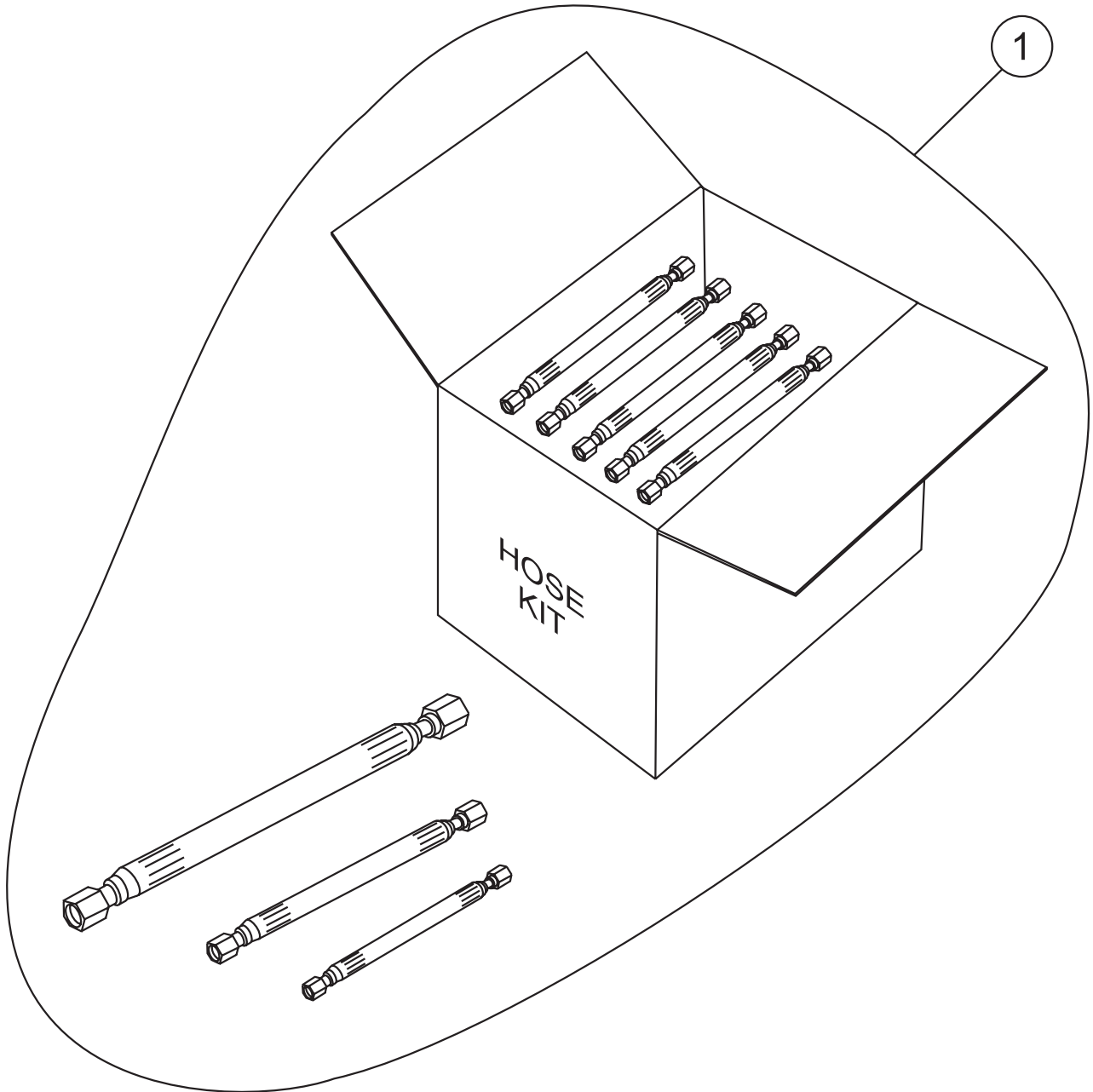
NOTES:

-  APPLY LOCTITE® BLUE 246™.
-  TORQUE TO 20 LBF·FT (27 N·M).
-  TORQUE TO 35 LBF·FT (47 N·M).
-  TORQUE TO 55 LBF·FT (75 N·M).

HYDRAULIC PUMP ASSY.

<u>NO.</u>	<u>PART NO.</u>	<u>PART NAME</u>	<u>QTY.</u>	<u>REMARKS</u>
1	43061	PUMP ASSY., TANDEM 28 CC, EP CON.....	1	INCLUDES ITEMS W/\$
2\$	43330	FITTING, 90° LONG, 12MORFS X 12MOR	2	
3\$	32362	FITTING, 90° 12MOR X 12 MORFS	2	
4\$	43120	PRESSURE TRANSDUCER, 0-400 BAR	4	
5\$	43352	DIAGNOSTIC FITTING, -12, PUMP ASSY.	4	
6\$	43619	FITTING, TEE, 5/8 MFS, FFS, MFS	1	
7\$	43341	HARD LINE, CASE DRAIN, HYD PUMP	1	
8\$	43621	FITTING, 90°, 5/8 FFS, 5/8 MFS	1	
9\$	32342	FITTING, STR -10MORFS X -10MOR	2	
10\$	43465	FITTING, 90° -16FORFS TO -20 MORFS	1	
11\$	43652	FITTING, STR, 20FORFSX24BARB	1	
12\$	43343	HARD LINE, S PORT, HYD PUMP	1	
13\$	43060	FITTING, TEE 16MO-16MORFS-16MORFS	1	
14\$	43344	HARD LINE, G PORT, HYD PUMP	1	
15\$	43728	FITTING, STR LONG -16MORBX-16MORFS	1	
16\$	43706	FITTING, STR, -16MORBX-16FORB	2	
17\$	32718	FITTING, 90° 8MORFS X 8MOR	1	
18\$	32713	FITTING, BRANCH TEE 8MORFS X 8MOR	1	
19\$	43057	PUMP, TANDEM 28 CC, EP CONTROL	1	
20\$	32727	FITTING, TEE 8 MO X 8 MORFS RUN	1	
21\$	42997	FITTING, STR LONG, 8MORFS X 8MOR	1	
22\$	43342	HARD LINE, FE PORT, HYD PUMP	1	
23\$	43119	PRESSURE TRANSDUCER, 0-40 BAR	1	
24\$	43353	DIAGNOSTIC FITTING, -8 PUMP ASSY.	1	
25	5218	SCREW, HHC 1/2-13 X 1-1/2"	2	
26	16630	WASHER, FLAT SAE 1/2" HI STRENGTH	2	
27	4196	SCREW, HHC 3/8-16 X .75"	8	
28	42219	COUPLER, HAYES 15T -SAE 8 MOUNT	1	
29	42340	SCREW, HHFS M10-1.5 X 35 GR 8.8	12	
30	59005	CLAMP, LOOP 2.0" X .53 HOLE	1	

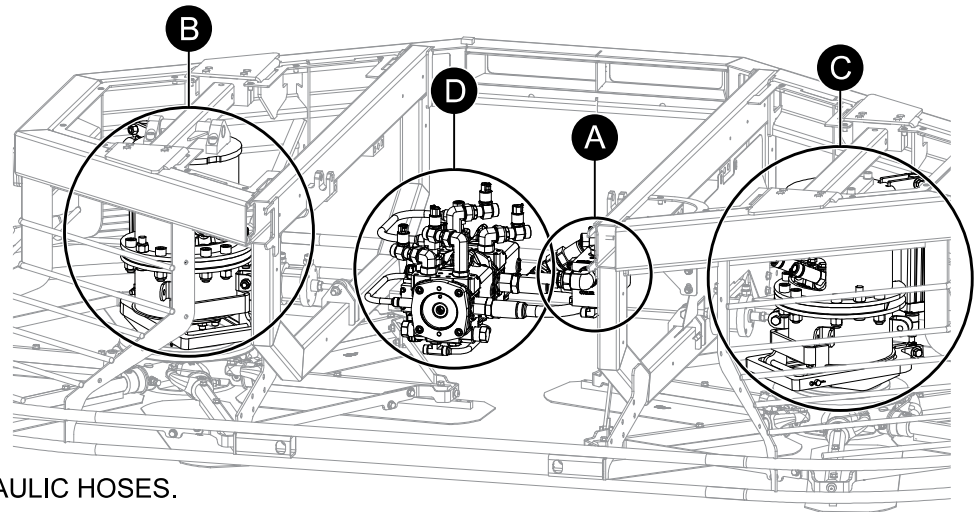
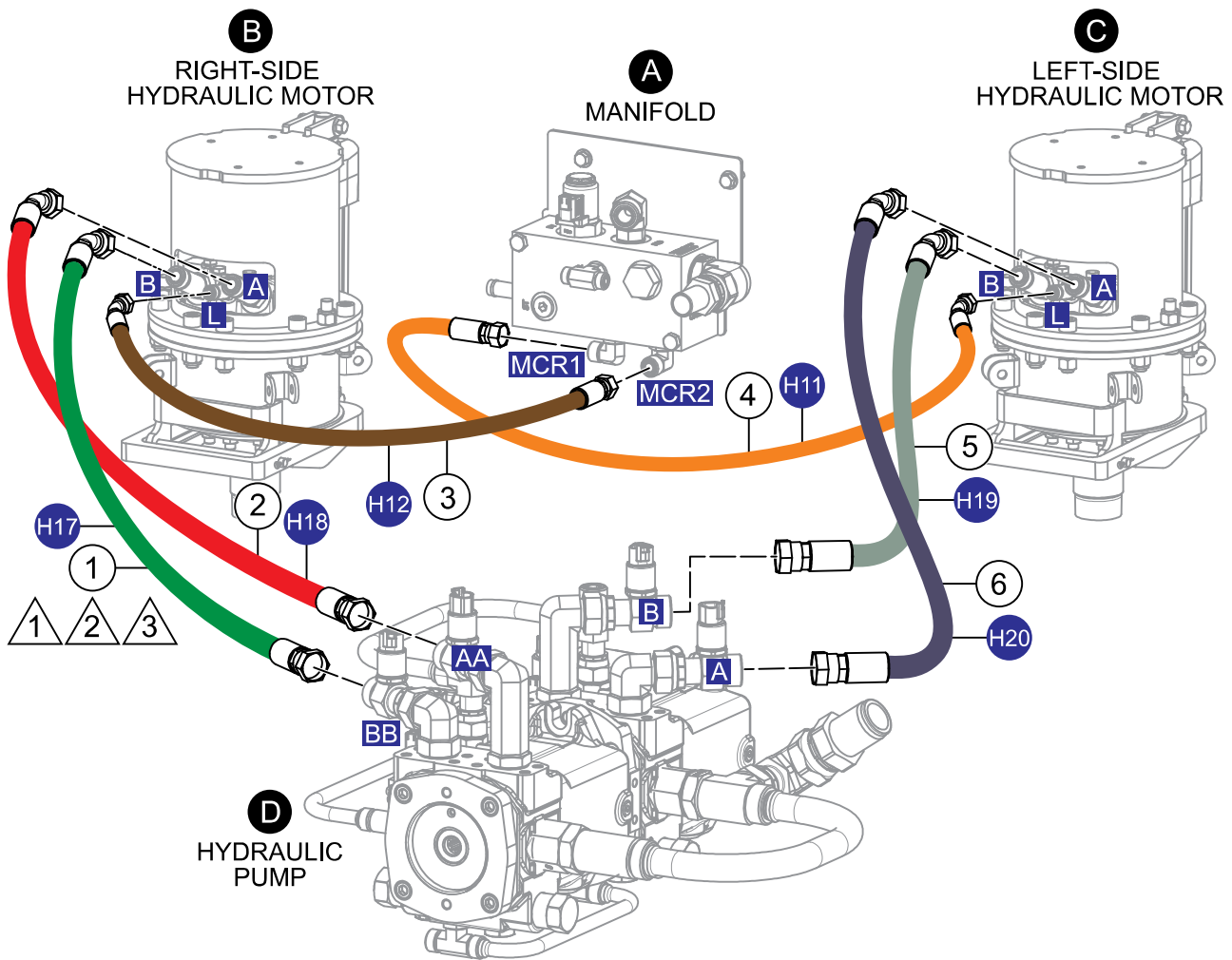
HYDRAULIC HOSE KIT ASSY. (COMPLETE)



HYDRAULIC HOSE KIT ASSY. (COMPLETE)

NO.	PART NO.	PART NAME	QTY.	REMARKS
1	43278	HOSE KIT ASSEMBLY	1.....	INCLUDES ITEMS BELOW
	43710	HOSE ASM, 3/8"x54 6FFORX45Sx6FFORX	1.....	HOSE 1
	43711	HOSE ASM, 3/8"x54 6FFORX45Sx6FFORX	1.....	HOSE 2
	43712	HOSE ASM, 3/8"x40 6FFORX45Sx6FFORX	1.....	HOSE 3
	43713	HOSE ASM, 3/8"x40 6FFORX45Sx6FFORX	1.....	HOSE 4
	43714	HOSE, 1"X37.50 E-Z FORM.....	1.....	HOSE 5
	43715	HOSE, 1.50"X16.75" E-Z FORM	1.....	HOSE 6
	43803	HOSE ASM, 1/2"x20 8FFORX90Sx8FFORX	1.....	HOSE 7
	43804	HOSE ASM, 3/8"x35.75 6FFORXx6FFORX.....	1.....	HOSE 8
	43805	HOSE ASM, 3/8"x27 6FFORXSx6FFORX	1.....	HOSE 9
	43806	HOSE ASM, 1/2"x17.5 8FFORX90Sx8FFORX	1.....	HOSE 10
	43807	HOSE ASM, 1/2"x24 8FFORX45Sx8FFORX	1.....	HOSE 11
	43808	HOSE ASM, 1/2"x50.5 8FFORX45Sx8FFORX	1.....	HOSE 12
	43809	HOSE ASM, 1/2"x40 68FFORX90Sx6FFORX	1.....	HOSE 13
	43810	HOSE ASM, 5/8"x24 10FFORX90Sx10FFORX	1.....	HOSE 14
	43811	HOSE ASM, 5/8"x74 10FFORX90Sx10FFORX	1.....	HOSE 15
	43812	HOSE ASM, 5/8"x63 6FFORXx6FFORX.....	1.....	HOSE 16
	43813	HOSE ASM, 3/4"x30 12FFORXx12FFORX-6K.....	1.....	HOSE 17
	43814	HOSE ASM, 3/4"x33 12FFORX45Sx12FFORX-6K.....	1.....	HOSE 18
	43815	HOSE ASM, 3/4"x27 12FFORX45Sx12FFORX-6K.....	1.....	HOSE 19
	43816	HOSE ASM, 3/4"x25.5 12FFORX45Sx12FFORX6K.....	1.....	HOSE 20
	43819	HOSE, 1"X23 E-Z FORM.....	1.....	HOSE 21
	43821	HOSE, 1.5"X17.0 E-Z FORM.....	1.....	HOSE 22
	43822	HOSE ASM, 3/8"x46.75 6FFORX45x6FFORX.....	1.....	HOSE 23
	43824	HOSE ASM, 3/8"x47.75 6FFORX45Sx6FFORX	1.....	HOSE 24
	43825	HOSE ASM, 3/8"x38 06FFORXSx06FFORX	1.....	HOSE 25
	43826	HOSE, 1"X12" E-Z FORM	1.....	HOSE 26

HYD. HOSE ASSY. (HYD. MOTORS)



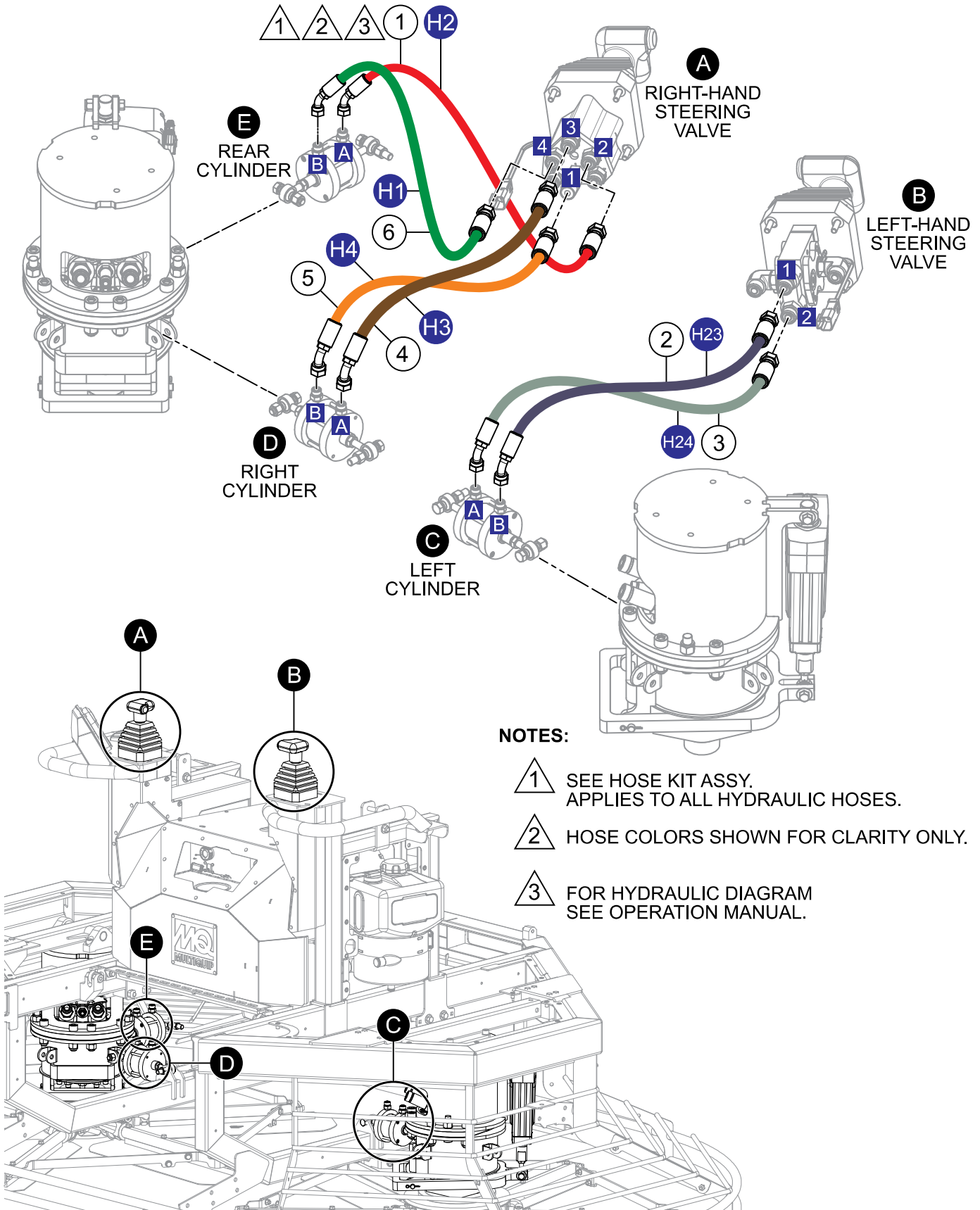
NOTES:

- 1** SEE HOSE KIT ASSY. APPLIES TO ALL HYDRAULIC HOSES.
- 2** HOSE COLORS SHOWN FOR CLARITY ONLY.
- 3** FOR HYDRAULIC DIAGRAM SEE OPERATION MANUAL.

HYD. HOSE ASSY. (HYD. MOTORS)

<u>NO.</u>	<u>PART NO.</u>	<u>PART NAME</u>	<u>QTY.</u>	<u>REMARKS</u>
1	43813	HOSE ASM, 3/4"x30 12FFORXx12FFORX-6K.....	1.....	HOSE 17
2	43814	HOSE ASM, 3/4"x33 12FFORX45Sx12FFORX-6K.....	1.....	HOSE 18
3	43808	HOSE ASM, 1/2"x50.5 8FFORX45Sx8FFORX	1.....	HOSE 12
4	43807	HOSE ASM, 1/2"x24 8FFORX45Sx8FFORX	1.....	HOSE 11
5	43815	HOSE ASM, 3/4"x27 12FFORX45Sx12FFORX-6K.....	1.....	HOSE 19
6	43816	HOSE ASM, 3/4"x25.5 12FFORX45Sx12FFORX6K.....	1.....	HOSE 20

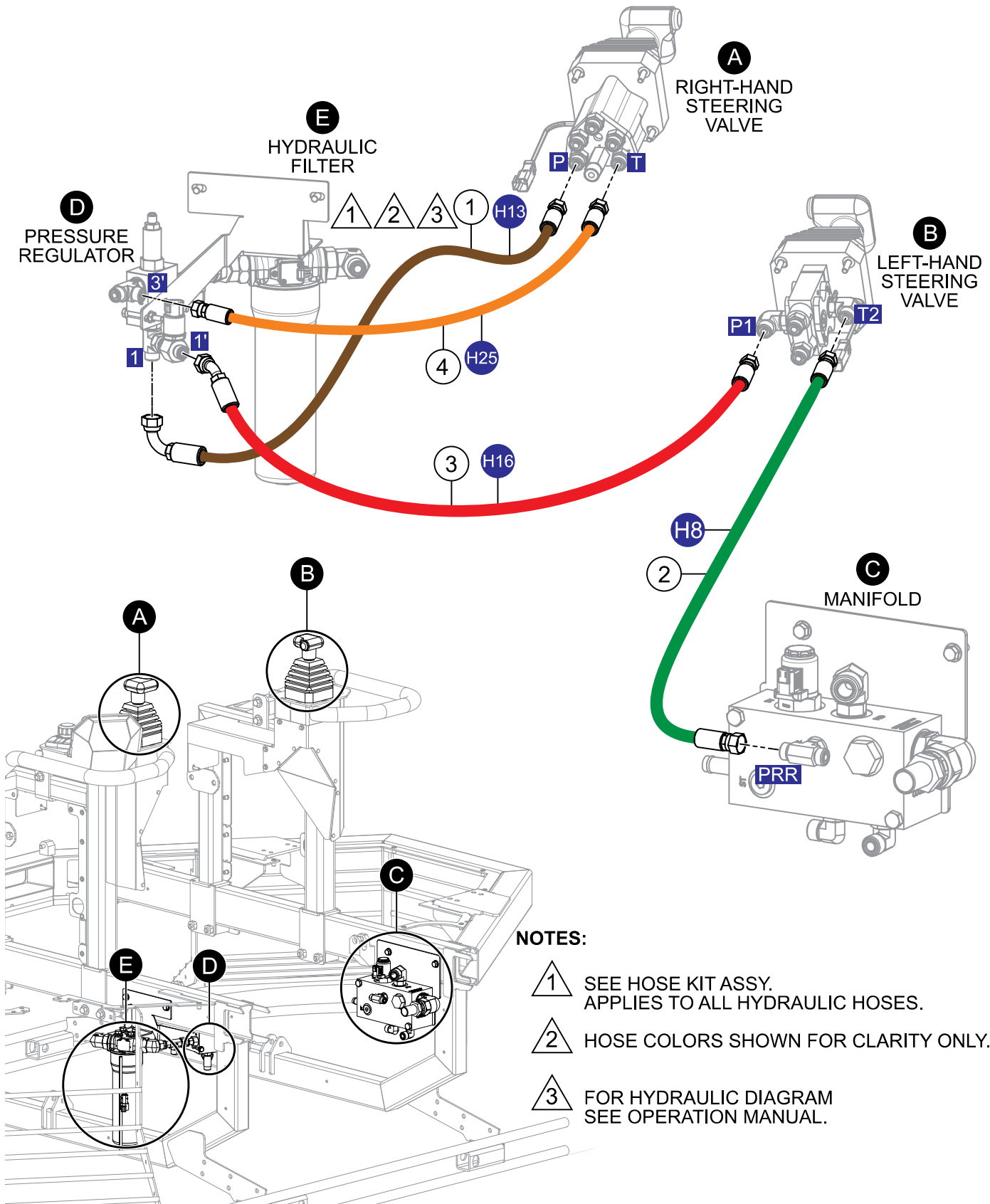
HYD. HOSE ASSY. (HYD. STEERING VALVES #1)



HYD. HOSE ASSY. (HYD. STEERING VALVES #1)

<u>NO.</u>	<u>PART NO.</u>	<u>PART NAME</u>	<u>QTY.</u>	<u>REMARKS</u>
1	43711	HOSE ASM, 3/8"x54 6FFORX45Sx6FFORX	1.....	HOSE 2
2	43822	HOSE ASM, 3/8"x46.75 6FFORX45x6FFORX.....	1.....	HOSE 23
3	43824	HOSE ASM, 3/8"x47.75 6FFORX45Sx6FFORX	1.....	HOSE 24
4	43712	HOSE ASM, 3/8"x40 6FFORX45Sx6FFORX	1.....	HOSE 3
5	43713	HOSE ASM, 3/8"x40 6FFORX45Sx6FFORX	1.....	HOSE 4
6	43710	HOSE ASM, 3/8"x54 6FFORX45Sx6FFORX	1.....	HOSE 1

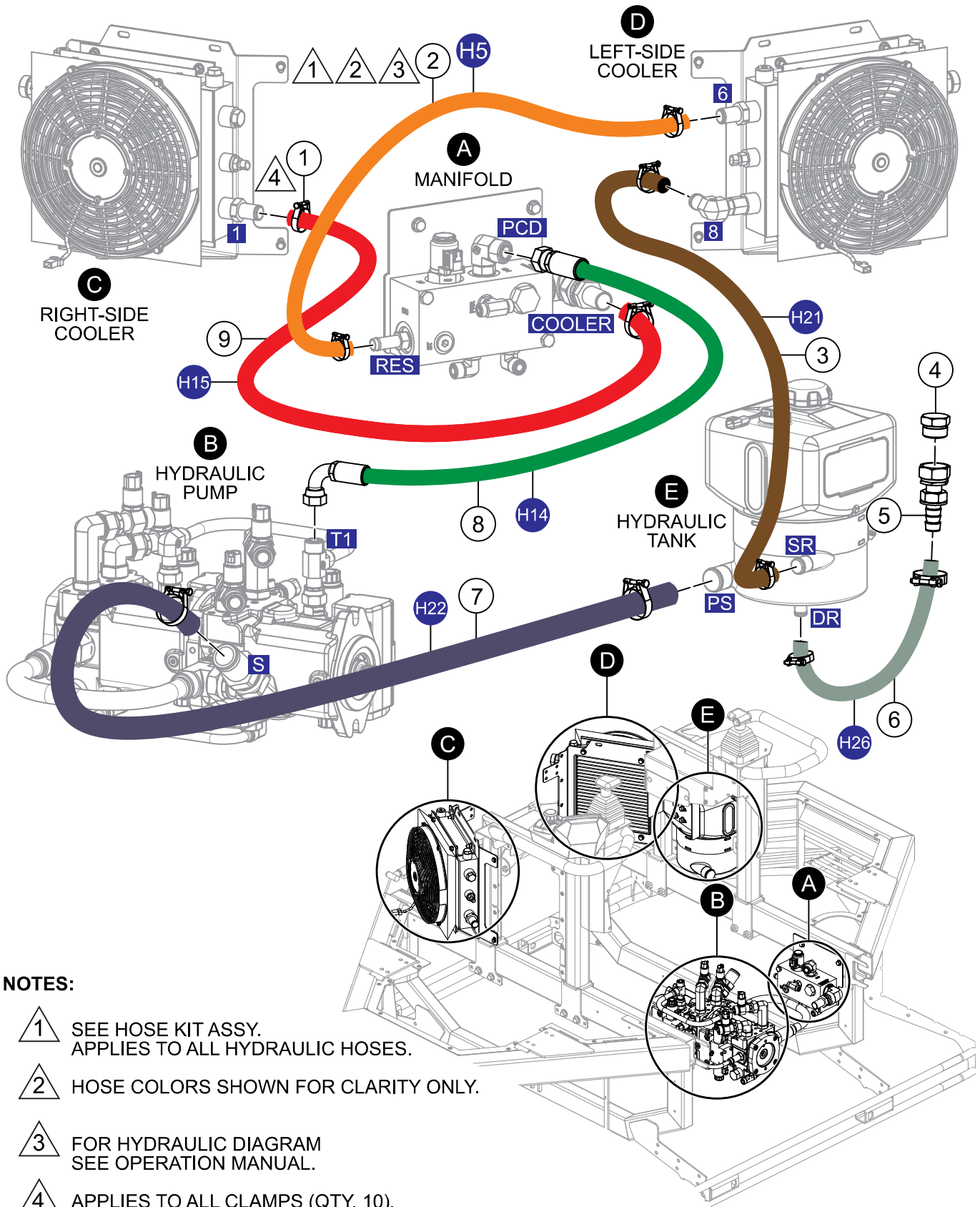
HYD. HOSE ASSY. (HYD. STEERING VALVES #2)



HYD. HOSE ASSY. (HYD. STEERING VALVES #2)

<u>NO.</u>	<u>PART NO.</u>	<u>PART NAME</u>	<u>QTY.</u>	<u>REMARKS</u>
1	43809	HOSE ASM, 1/2"x40 6FFORX90Sx6FFORX	1.....	HOSE 13
2	43804	HOSE ASM, 3/8"x35.75 6FFORXx6FFORX.....	1.....	HOSE 8
3	43812	HOSE ASM, 5/8"x63 6FFORXx6FFORX.....	1.....	HOSE 16
4	43825	HOSE ASM, 3/8"x38 06FFORXSx06FFORX	1.....	HOSE 25

HYD. HOSE ASSY. (HYD. TANK AND COOLERS)



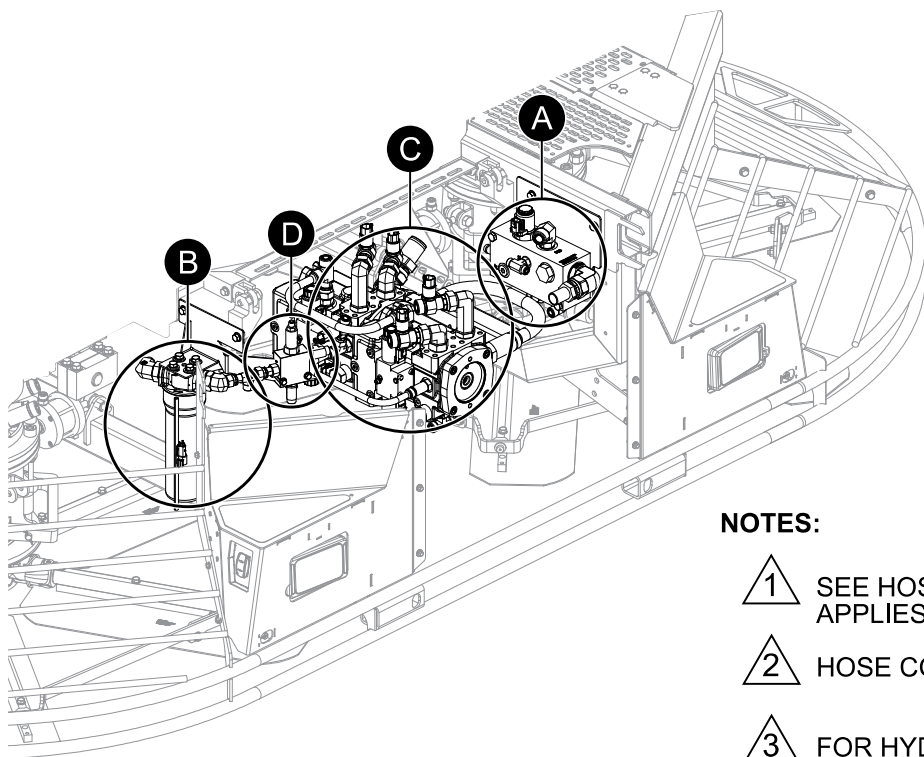
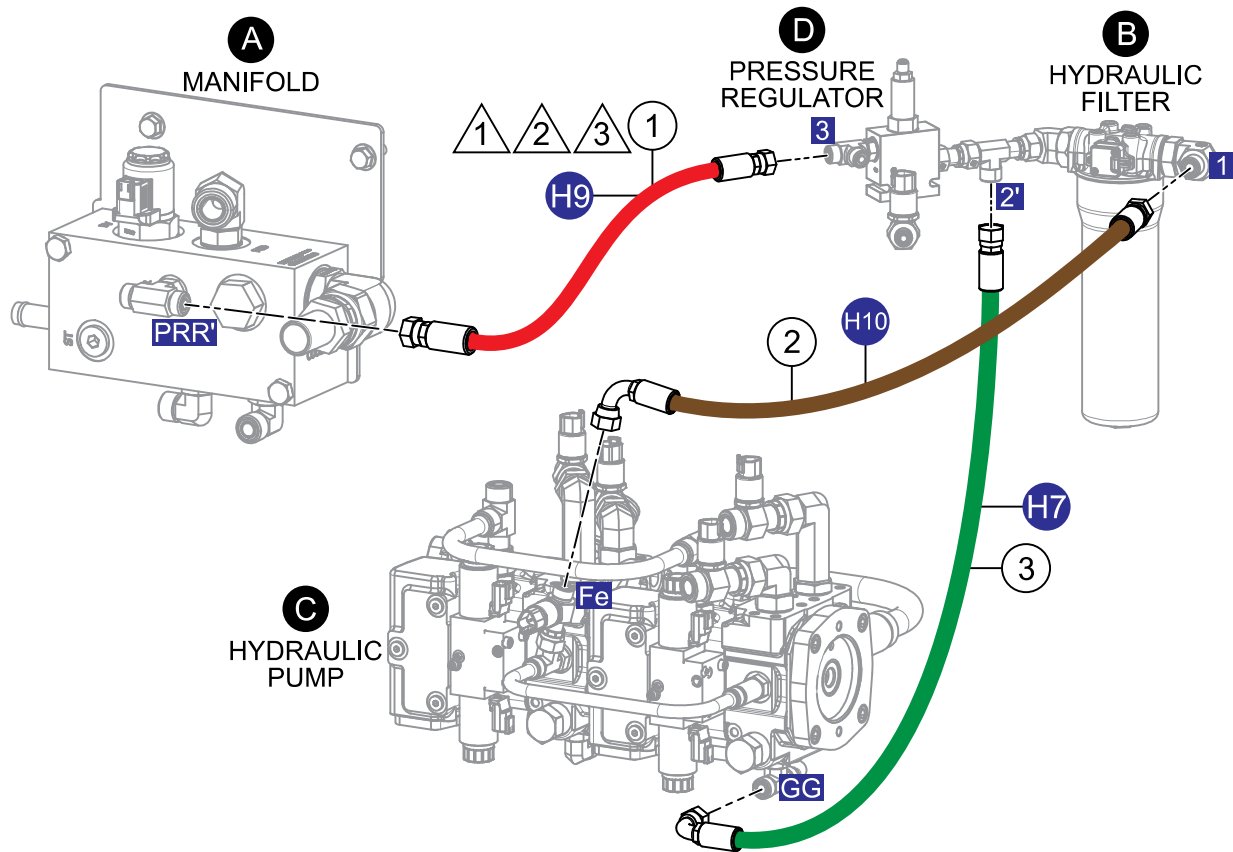
NOTES:

- ① SEE HOSE KIT ASSY. APPLIES TO ALL HYDRAULIC HOSES.
- ② HOSE COLORS SHOWN FOR CLARITY ONLY.
- ③ FOR HYDRAULIC DIAGRAM SEE OPERATION MANUAL.
- ④ APPLIES TO ALL CLAMPS (QTY. 10).

HYD. HOSE ASSY. (HYD. TANK AND COOLERS)

<u>NO.</u>	<u>PART NO.</u>	<u>PART NAME</u>	<u>QTY.</u>	<u>REMARKS</u>
1	30010-0125	CLAMP, T-BOLT	10	
2	43714	HOSE, 1"X37.50 E-Z FORM.....	1.....	HOSE 5
3	43819	HOSE, 1"X23 E-Z FORM.....	1.....	HOSE 21
4	43746	FITTING, -12MORFS PLUG	1	
5	43745	FITTING, -12 FORFS X -12 BARB	1	
6	43826	HOSE, .75"X18" E-Z FORM	1.....	HOSE 26
7	43821	HOSE, 1.5"X17.0 E-Z FORM.....	1.....	HOSE 22
8	43810	HOSE ASM, 5/8"x24 10FFORX90Sx10FFORX	1.....	HOSE 14
9	43811	HOSE ASM, 5/8"x74 10FFORX90Sx10FFORX	1.....	HOSE 15

HYD. HOSE ASSY. (HYD. FILTER/PRESSURE REGULATOR)



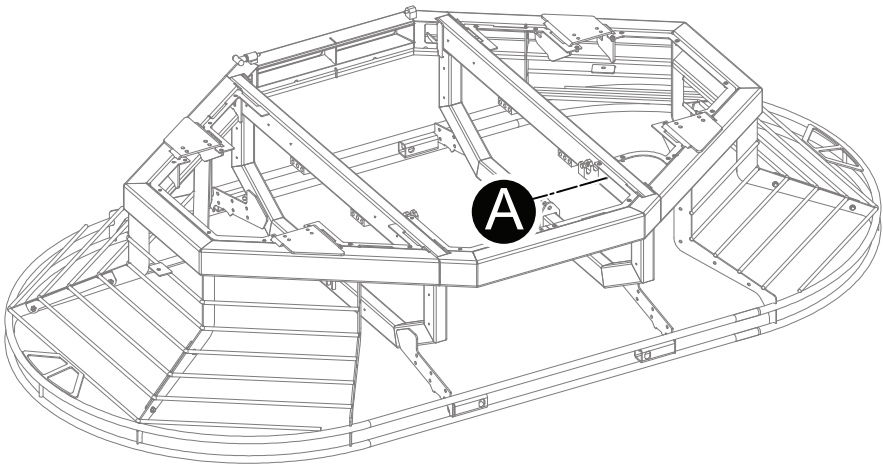
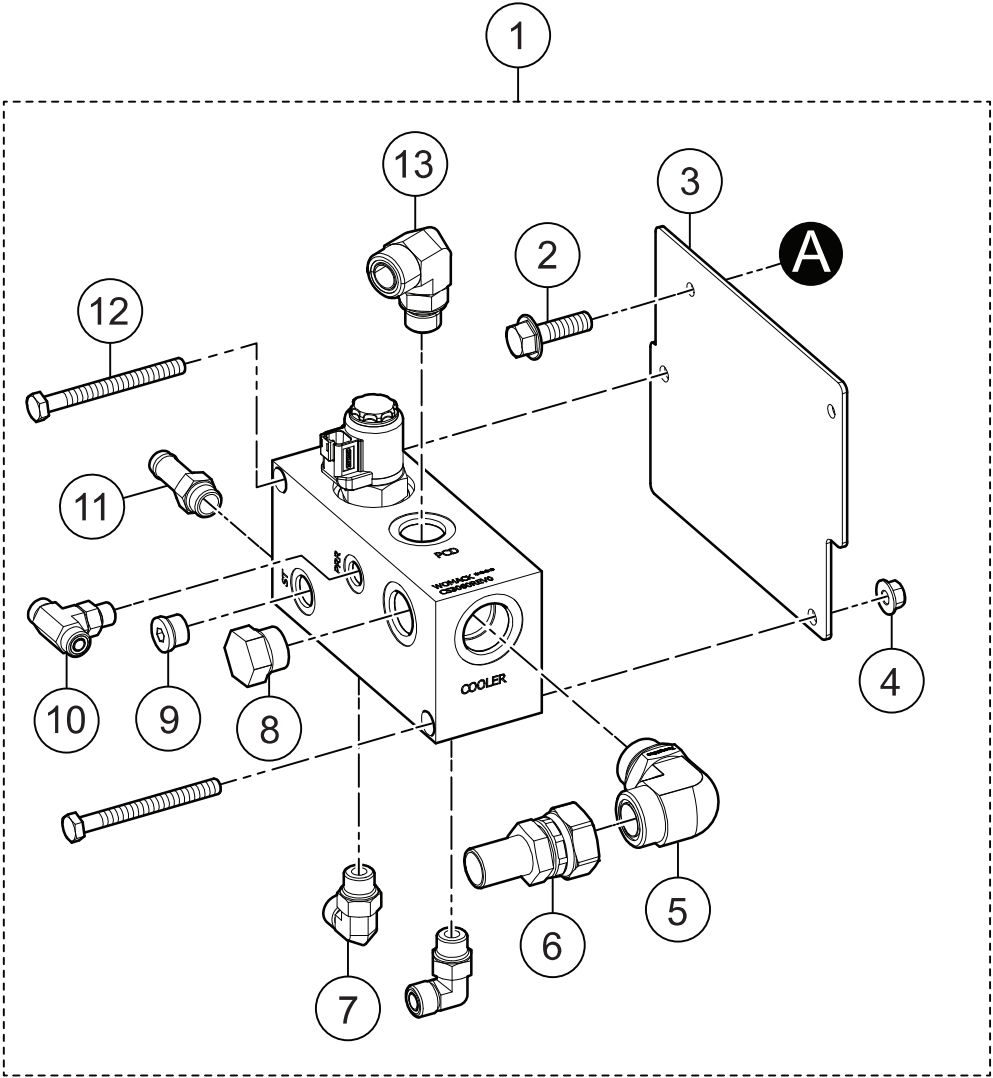
NOTES:

- △ 1 SEE HOSE KIT ASSY.
APPLIES TO ALL HYDRAULIC HOSES.
- △ 2 HOSE COLORS SHOWN FOR CLARITY ONLY.
- △ 3 FOR HYDRAULIC DIAGRAM
SEE OPERATION MANUAL.

HYD. HOSE ASSY. (HYD. FILTER/PRESSURE REGULATOR)

<u>NO.</u>	<u>PART NO.</u>	<u>PART NAME</u>	<u>QTY.</u>	<u>REMARKS</u>
1	43805	HOSE ASM, 3/8"x27 6FFORXSx6FFORX	1.....	HOSE 9
2	43806	HOSE ASM, 1/2"x17.5 8FFORX90Sx8FFORX	1.....	HOSE 10
3	43803	HOSE ASM, 1/2"x20 8FFORX90Sx8FFORX	1.....	HOSE 7

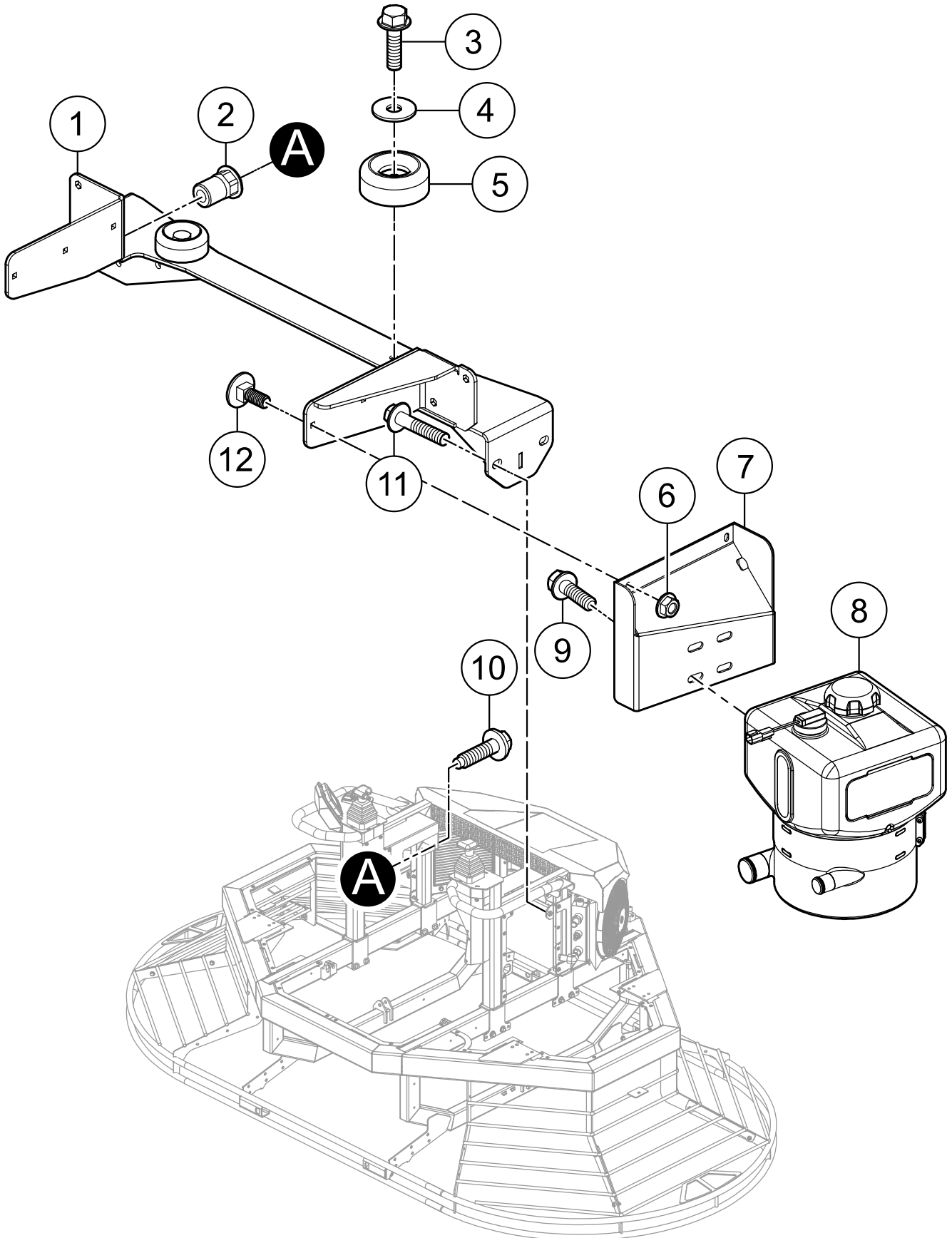
MANIFOLD ASSY.



MANIFOLD ASSY.

<u>NO.</u>	<u>PART NO.</u>	<u>PART NAME</u>	<u>QTY.</u>	<u>REMARKS</u>
1	43173	MANIFOLD, CASE DRAIN.....	1.....	INCLUDES ITEMS W/\$
2\$	42436	SCREW, HFS, ZP, M8-1.25 X 25, CLASS 8.8	2	
3\$	43632	BRACKET, UNLOADER VALVE	1	
4\$	42353	NUT, HEX, SERRATED-FLANGE, M10-1.5	2	
5\$	32424	FITTING, 90° 16MORFS X 16MOR	1	
6\$	43350	FITTING, STR, 16 BARB - 16 ORFS	1	
7\$	32718	FITTING, 90° 8MORFS X 8MOR	2	
8\$	23271	FITTING, PLUG 12MO MAG	1	
9\$	368700	FITTING, PLUG 8MO HEX SKT HD	1	
10\$	42942	FITTING, TEE 6MORFS X 6MOR	1	
11\$	43331	FITTING, STR, -16MO, -16BARB	1	
12\$	43705	SCREW, HHC, M10-1.5 X 100MM	2	
13\$	43657	FITTING, 90DEG, -10MORFSX-12MORB	1	

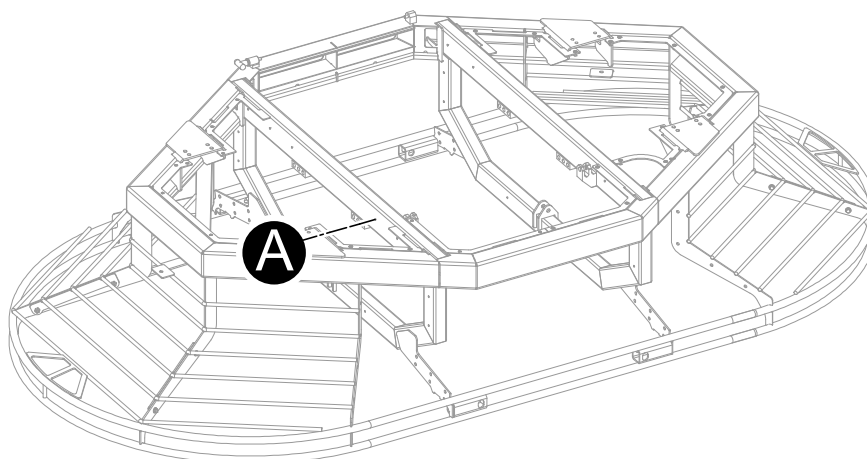
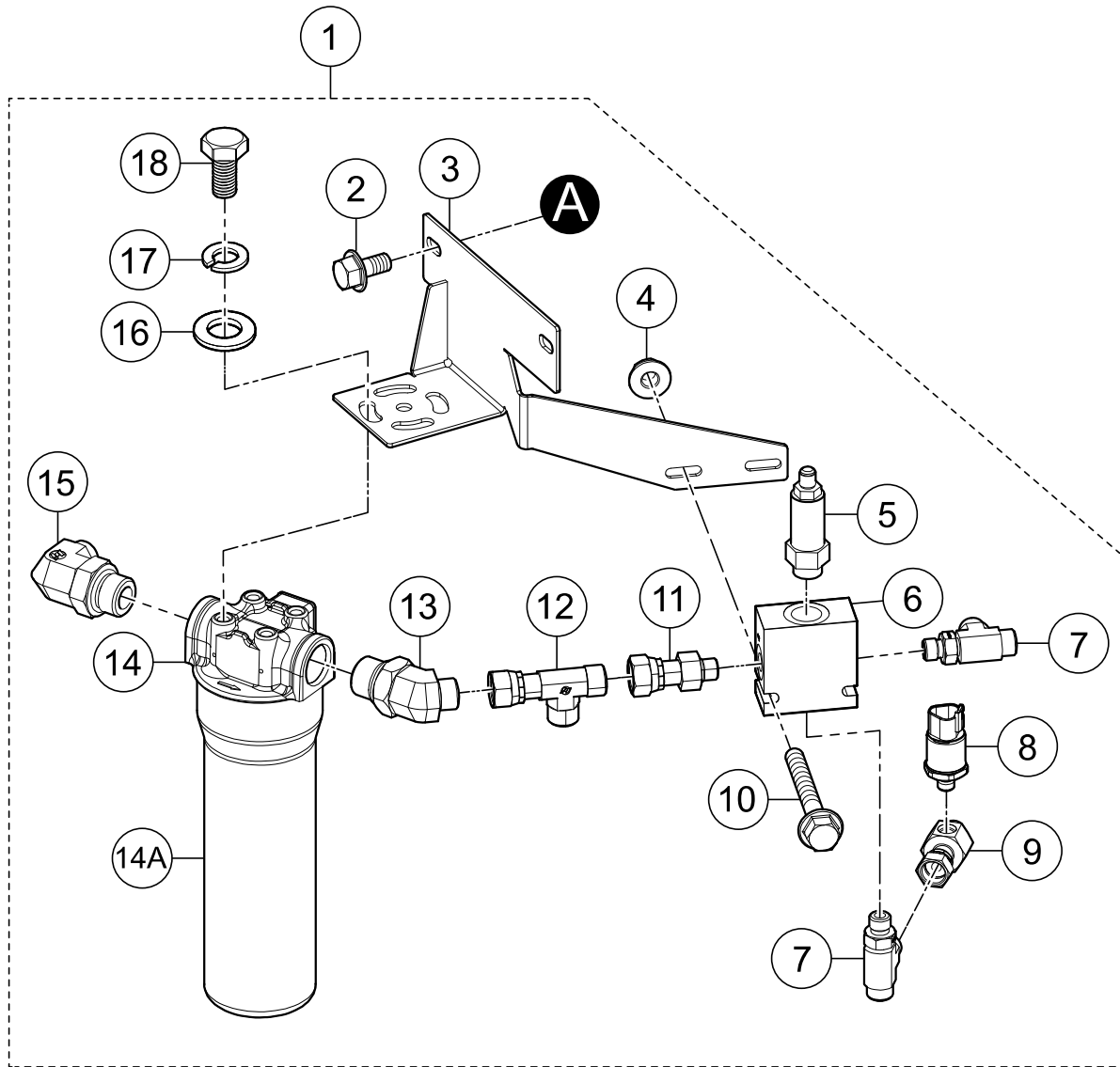
CROSSMEMBER ASSY.



CROSSMEMBER ASSY.

<u>NO.</u>	<u>PART NO.</u>	<u>PART NAME</u>	<u>QTY.</u>	<u>REMARKS</u>
1	43402	CROSSMEMBER, LIFT FRAME	1	
2	42496	NUT, BLIND HEX M6-1.0	4	
3	23792	SCREW, HHFS M8-1.25 X 30	2	
4	25591	WASHER, M8	2	
5	17336	BUMPER, 2.5" DIA X 1"	2	
6	42352	NUT, HEX, SERRATED-FLANGE, M6-1.0	2	
7	43656	BRACKET, MOUNT, HYDRAULIC TANK	1	
8	43133	CYCLONE, HYDRAULIC RESERVOIR, 2 GALLON	1	
9	22106	SCREW, HHFS 3/8-16 X 1.25 ZINC	4	
10	42325	SCREW, HHC, M6-1.0 X 20, CAPTIVE WASHER	4	
11	42340	SCREW, HHFS M10-1.5 X 35 GR 8.8	4	
12	42823	BOLT, CARRIAGE, M6-1.00 X 16	2	

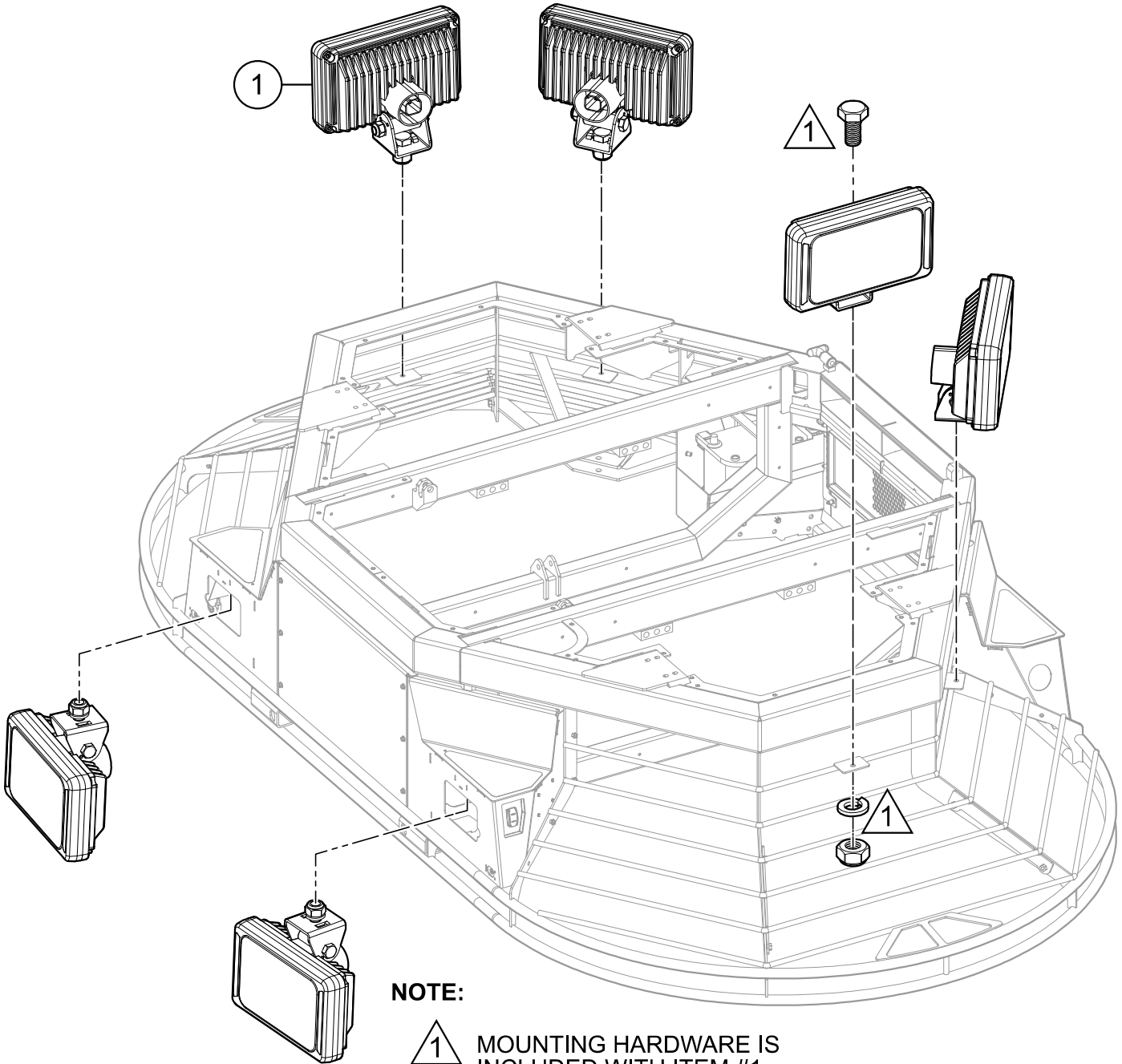
HYDRAULIC FILTER ASSY.



HYDRAULIC FILTER ASSY.

<u>NO.</u>	<u>PART NO.</u>	<u>PART NAME</u>	<u>QTY.</u>	<u>REMARKS</u>
1	43506	FILTER ASSEMBLY.....	1.....	INCLUDES ITEMS W/\$
2\$	42342	SCREW, HHFS, M8-1.25 X 16 GR 8.8	2	
3\$	43505	BRACKET, HYD FILTER	1	
4\$	42352	NUT, HEX, SERRATED-FLANGE, M6-1.0	2	
5\$	22831	VALVE, PRES REDUCING	1	
6\$	22832	VALVE BODY	1	
7\$	32353	FITTING, TEE 6MORFSX6MOR	2	
8\$	43119	PRESSURE TRANSDUCER, 0 – 40 BAR	1	
9\$	43507	FITTING, 6MFSX6FFSX4FOR	1	
10\$	32796	SCREW, HHFS M6-1 X 50	2	
11\$	43703	FITTING, STR, 8FORFSX6MORB	1	
12\$	43502	FITTING RUN TEE, 08 MFS 08 FFS 8 MFS	1	
13\$	32804	FITTING, 45° 8MORFS X 12MOR	1	
14\$	42616	FILTER ASSEMBLY, MED, 10 MICRON	1.....	INCLUDES ITEMS W/#
14A\$#	42616-1	ELEMENT, MED, PRESSURE FILTER	1	
15\$	32712	FITTING, 90° 8MORFS X 12MOR	1	
16\$	10136	WASHER, FLAT SAE 3/8"	4	
17\$	0166 A	WASHER, LOCK, 3/8" MED.	4	
18\$	4196	SCREW, HHC 3/8-16 X .75"	4	

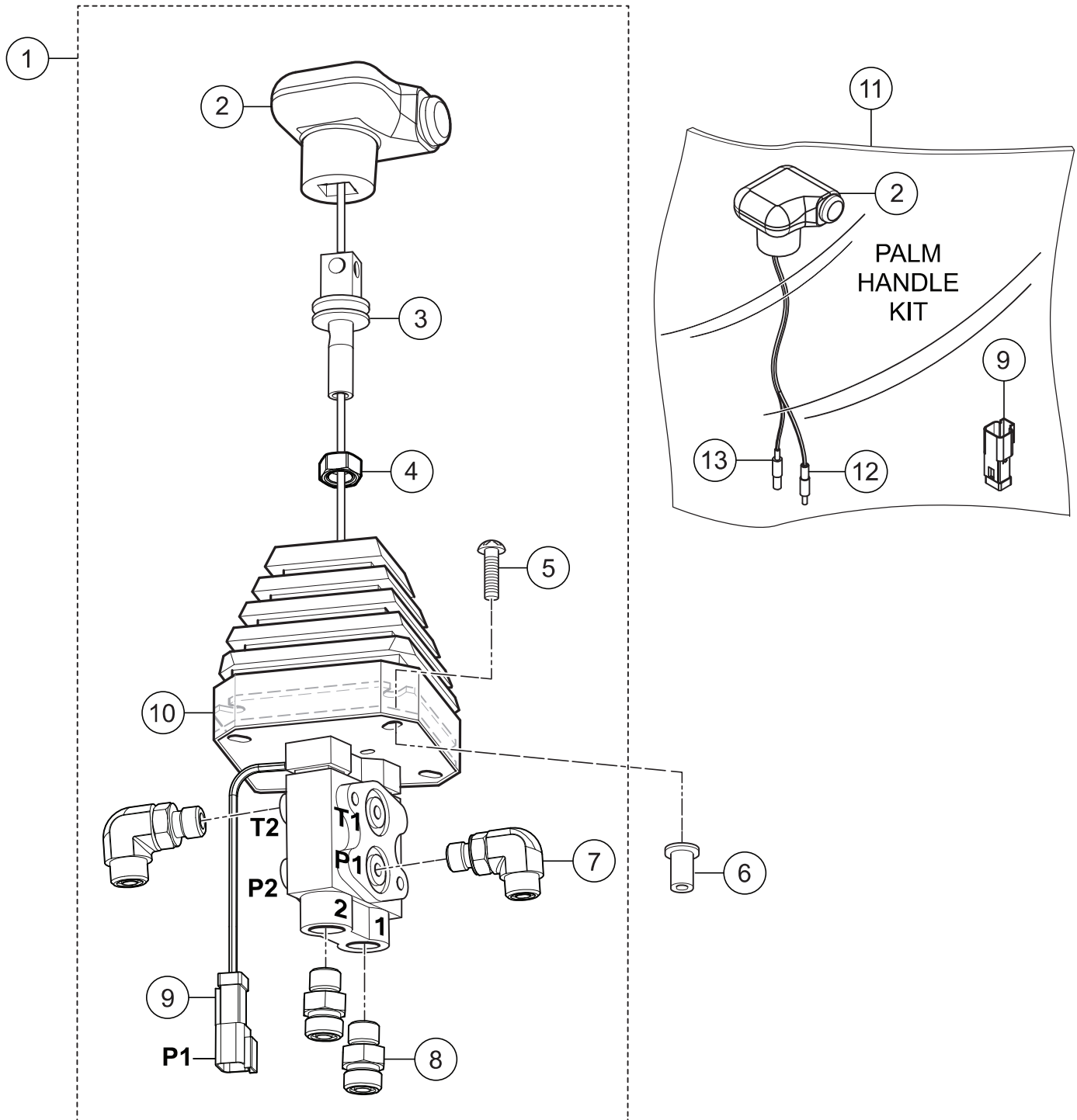
LIGHTS ASSY.



LIGHTS ASSY.

<u>NO.</u>	<u>PART NO.</u>	<u>PART NAME</u>	<u>QTY.</u>	<u>REMARKS</u>
1	42263	LIGHT, LED 20W 6 EMITTERS 60°	6	

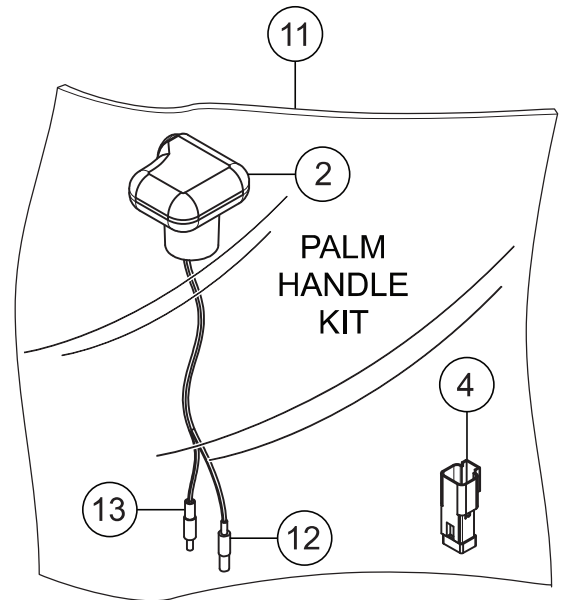
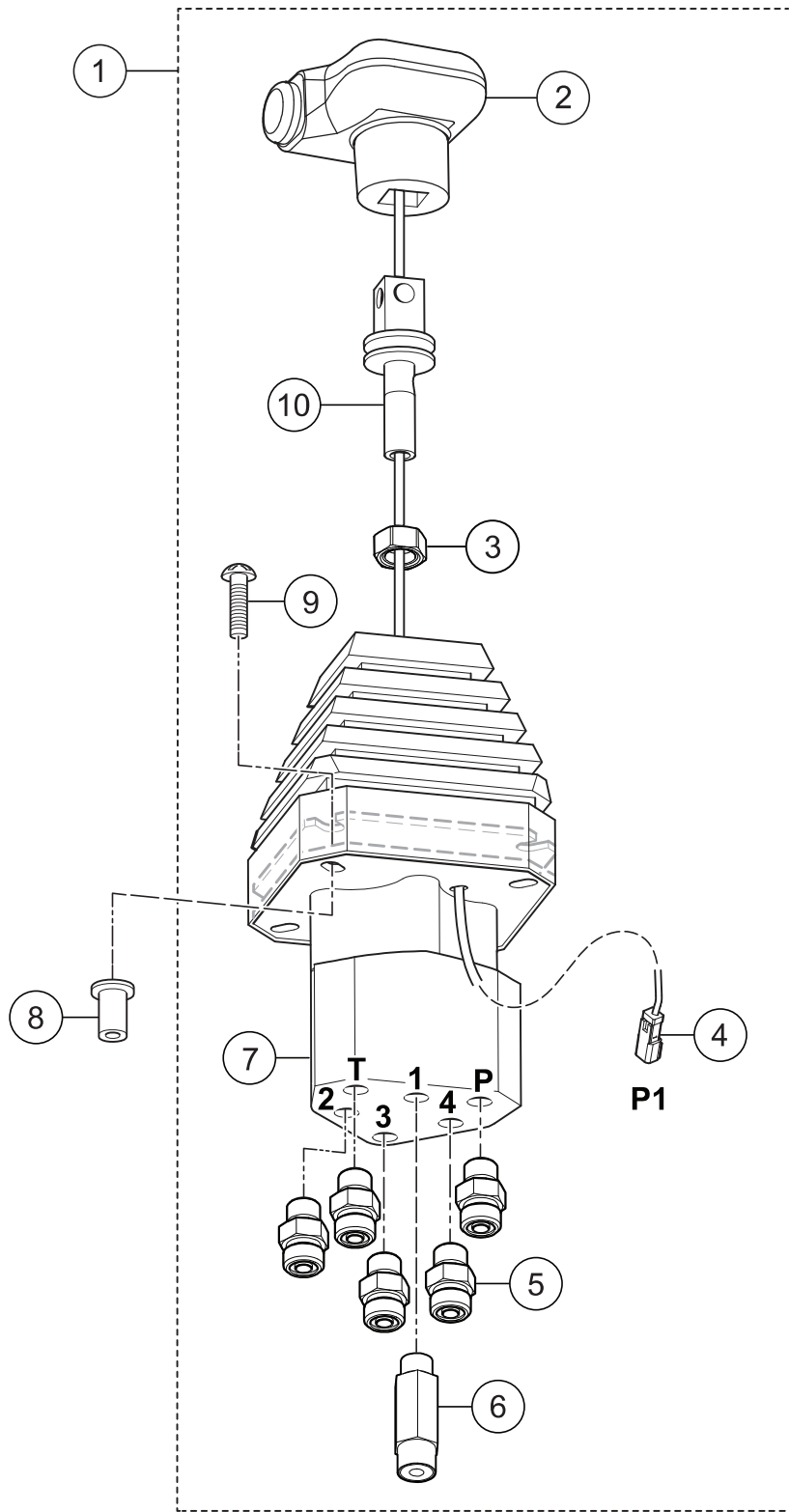
LEFT-HAND STEERING VALVE ASSY.



LEFT-HAND STEERING VALVE ASSY.

<u>NO.</u>	<u>PART NO.</u>	<u>PART NAME</u>	<u>QTY.</u>	<u>REMARKS</u>
1	43740	VALVE ASSY., LH STEERING W/SWITCH	1.....	INCLUDES ITEMS W/#
2#%	22001	HANDLE, PALM W/SWITCH, LEFT	2	
3#	21053	ADAPTOR, LH PALM HANDLE	1	
4#	16083	NUT, HEX M12-1.75 NO PLATE	1	
5#	42325	SCREW, BHSC, M6-1.0 X 20, FLANGED	4	
6	42496	NUT, BLIND HEX M6-1.0	4	
7#	32354	FITTING, 90° -6MORFS X -6MOR	2	
8#	32341	FITTING, STR -6MORFS X -6MOR	2	
9#%	37402	CONNECTOR KIT, MALE 2 POSITION	2	
10#	20833	VALVE, LH STEERING	1	
11	20150	KIT, PALM HANDLE LEFT, W/SWITCH.....	1.....	INCLUDES ITEMS W/%
12%	1318	TERMINAL, BULLET, FEM, 18-22	2	
13%	4692	TERMINAL, BULLET, .156 MALE, 14-16 GA	2	

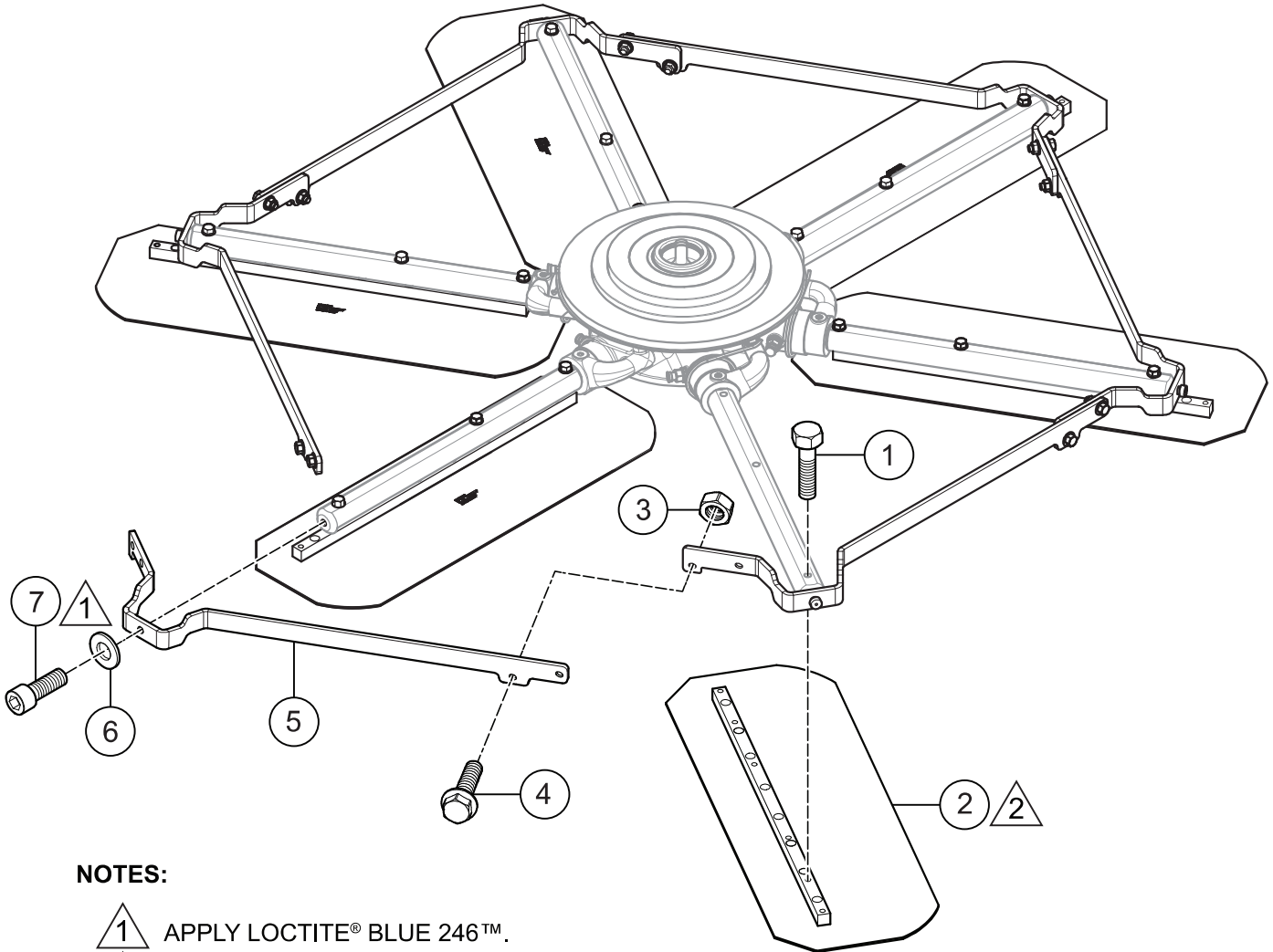
RIGHT-HAND STEERING VALVE ASSY.



RIGHT-HAND STEERING VALVE ASSY.

<u>NO.</u>	<u>PART NO.</u>	<u>PART NAME</u>	<u>QTY.</u>	<u>REMARKS</u>
1	43741	VALVE ASSY., RH STEERING W/SWITCH.....	1.....	INCLUDESITEMSW/#
2#%	12999	HANDLE, PALM W/SWITCH, RIGHT	2	
3#	16083	NUT, HEX M12-1.75 NO PLATE	1	
4#%	37402	CONNECTOR KIT, MALE 2 POSITION	2	
5#	32341	FITTING, STR -6MORFS X -6MOR	5	
6#	32454	FITTING, STR 6MOR X 6MORFS LONG	1	
7#	20832	VALVE, RH STEERING	1	
8	43655	NUT, BLIND HEX M6-1.0 4.2MM-6.6MM	4	
9#	42325	SCREW, HHC, M6-1.0 X 20, CAPTIVE WASHER	4	
10#	20834	ADAPTOR, RH PALM HANDLE	1	
11	20155	KIT, PALM HANDLE RIGHT, W/SWITCH	1.....	INCLUDESITEMSW/%
12%	1318	TERMINAL, BULLET, FEM, 18-22	2	
13%	4692	TERMINAL, BULLET, .156 MALE, 14-16 GA	2	

STABILIZER ASSY.



NOTES:

- 1 APPLY LOCTITE® BLUE 246™.
- 2 CONTACT UNIT SALES FOR ADDITIONAL BLADE TYPES

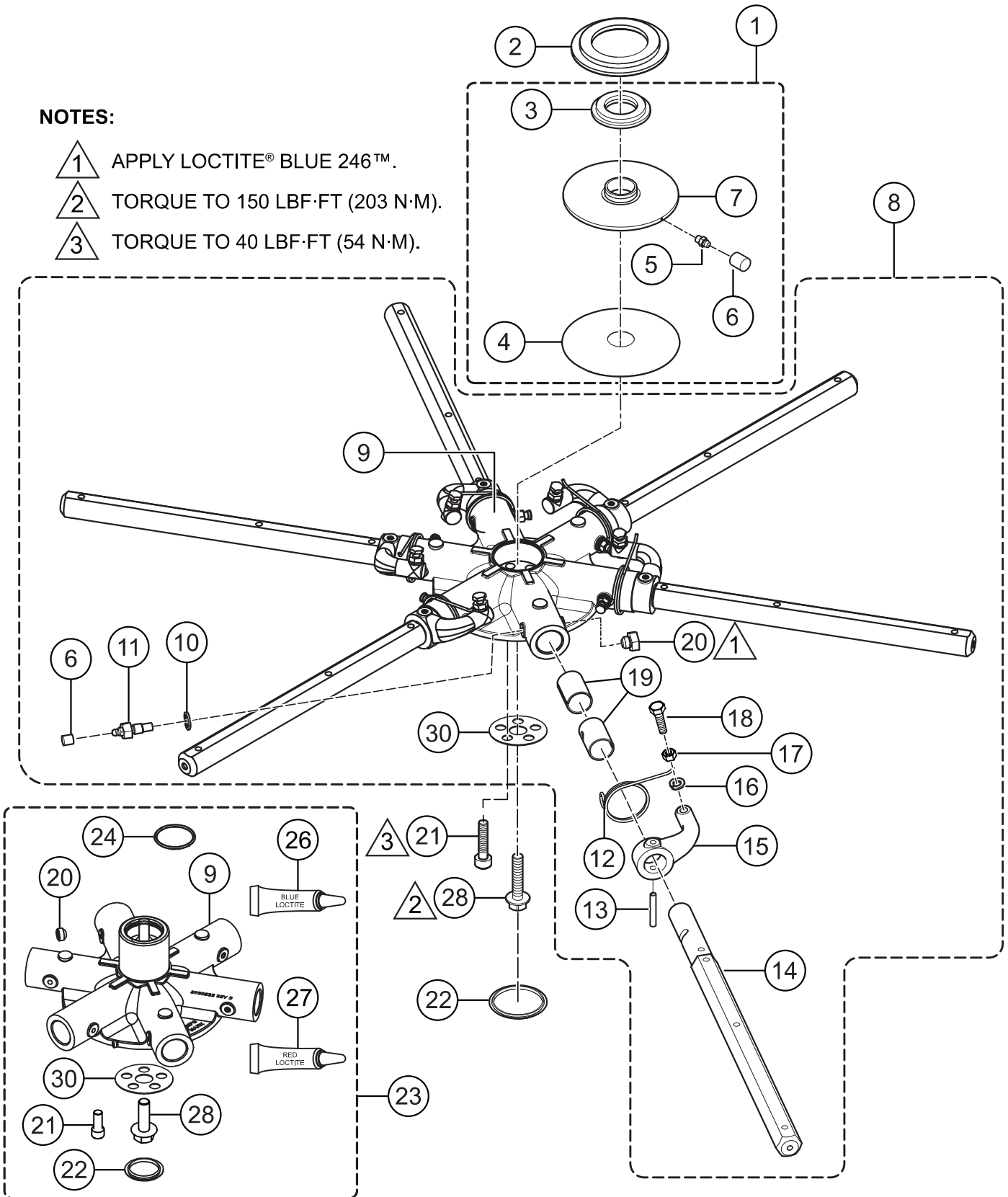
STABILIZER ASSY.

<u>NO.</u>	<u>PART NO.</u>	<u>PART NAME</u>	<u>QTY.</u>	<u>REMARKS</u>
1	22174	SCREW, HHFS 5/16-18 X 1.75 GR5	36	
2	11997	BLADE ASSEMBLY, 8 X 23 STD STC	12	
3	23802	NUT, HEX FLANGE M8-1.25 SERRATED	24	
4	42436	SCREW, HFS, ZP, M8-1.25 X 25, CLASS 8.8	24	
5	43195	STRUT, STABILIZER GEN 4	12	
6	28275-001	WASHER, FLAT, 5/16 USS HI-STRENGTH	12	
7	3910382	SCREW, SHDLR 3/8D X 3/8L, 5/16-1, SCKT HD	12	

6-BLADE SPIDER ASSY. (LEFT-SIDE)

NOTES:

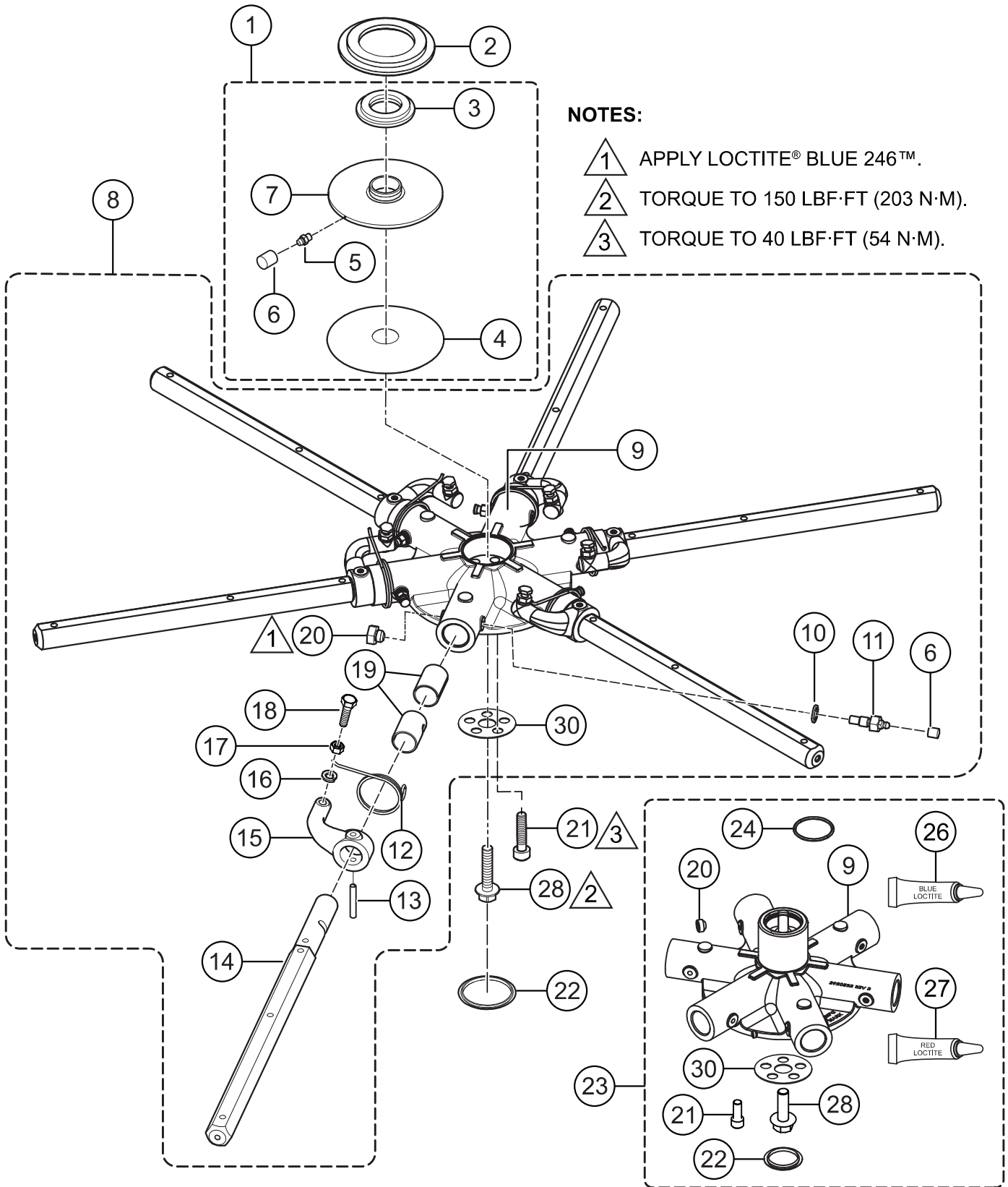
- ① APPLY LOCTITE® BLUE 246™.
- ② TORQUE TO 150 LBF·FT (203 N·M).
- ③ TORQUE TO 40 LBF·FT (54 N·M).



6-BLADE SPIDER ASSY. (LEFT-SIDE)

<u>NO.</u>	<u>PART NO.</u>	<u>PART NAME</u>	<u>QTY.</u>	<u>REMARKS</u>
1	20939	THRUST COLLAR ASSEMBLY	1.....	INCLUDES ITEMS W/@
2	43089	COLLAR, BEARING EXTENDER	1	
3@	12779	BEARING, THRUST 6017 2RS WIFLANGE	1	
4@	12250	PLATE, WEAR	1	
5@	2621	ZERK, GREASE STR 114-28	1	
6@#	1162 A	CAP, GREASE ZERK #2	2	
7@	12315	THRUST COLLAR W/ BUSHING	1	
8	43103	SPIDER, 6 BLD HUB L.S. ASSEMBLY	1.....	INCLUDES ITEMS W/#
9#\$	43102	SPIDER PLATE, RD HUB 6BLD	2	
10#	1875	WASHER, EXT. SHKP, 3/8" PLTD	6	
11#	1322	SCREW ASSY., TROWEL ARM RETAINING	6	
12#	9111	SPRING, LS H ARM RETURN STD BOSS	6	
13#	32045	PIN, SPIRAL 5/16 X 2 NP	6	
14#	11991	ARM, TROWEL, 6 BLADE	6	
15#	21049	LEVER, TROWEL ARM HYD L.S.	6	
16#	2955	WASHER, LOCK, 7/16" ZINC	6	
17#	07034-007	NUT, HEX JAM 7/16-14 PLATED	6	
18#	21031	SCREW, HHC ROUNDED 7/16-14 UNC SPCL	6	
19#	11039	BUSHING, ARM	12	
20#\$	11602	SCREW, SHS 3/8-16 X 1/4"	12	
21\$	939654	SCREW, SHC M12-1.75 X 30MM 12.9	10	
22\$	43729	CAP PLUG, SPIDER HUB	2	
23	43102-SK	SERVICE KIT, 6BLD SQR SPIDER PLATE	1.....	INCLUDES ITEMS W/\$
24\$	43186	O-RING, SIZE 2-226 VITON	1	
26\$	1477	LOCTITE 242 BLUE .5CC	1	
27\$	19379-014	LOCTITE, #271 ANAEROBIC	1	
28\$	42436	SCREW, HFS, ZP, M8-1.25 X 25, CLASS 8.8	2	
30\$	43784	WASHER, SPIDER	2	

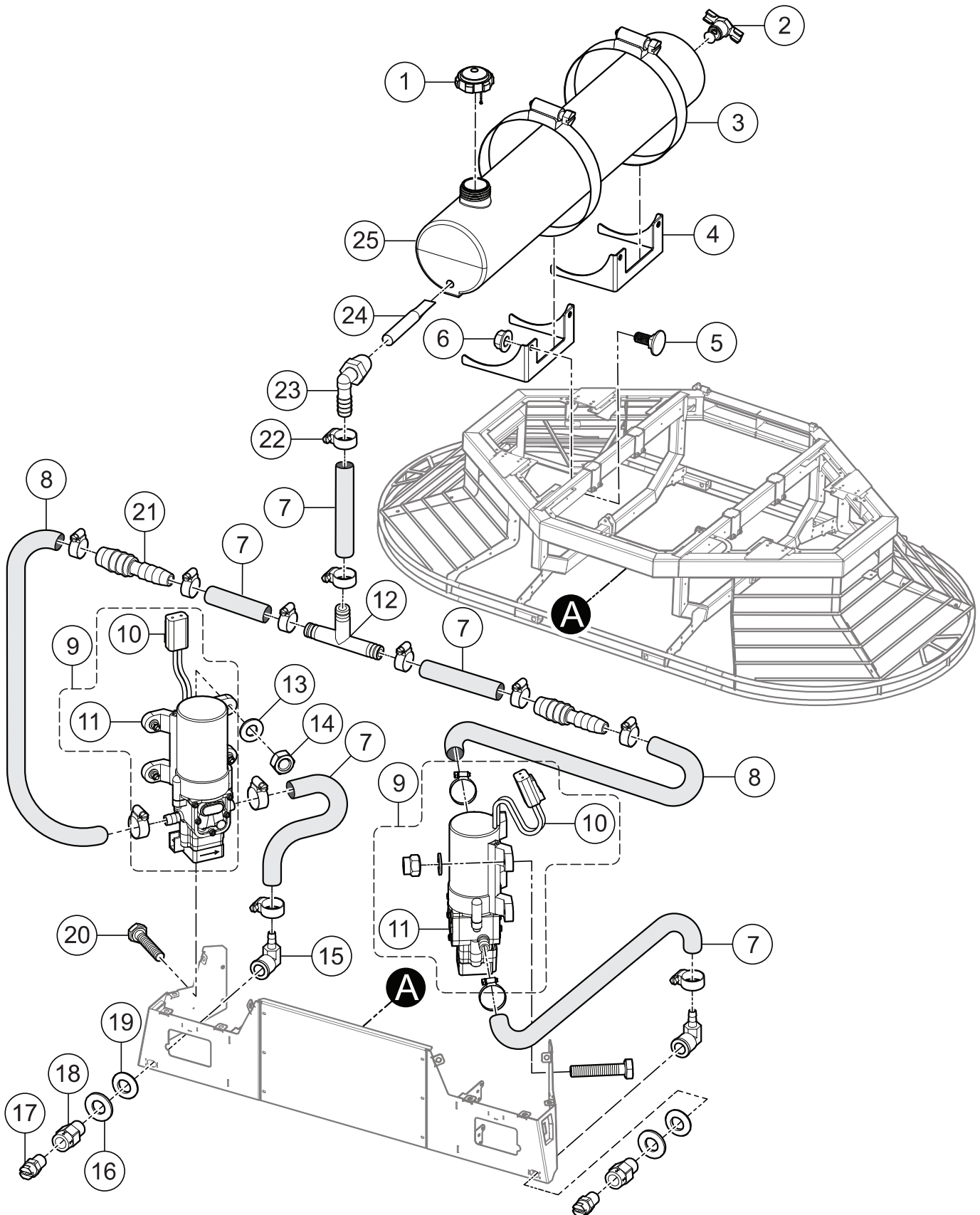
6-BLADE SPIDER ASSY. (RIGHT-SIDE)



6-BLADE SPIDER ASSY. (RIGHT-SIDE)

<u>NO.</u>	<u>PART NO.</u>	<u>PART NAME</u>	<u>QTY.</u>	<u>REMARKS</u>
1	20939	THRUST COLLAR ASSEMBLY	1.....	INCLUDES ITEMS W/@
2	43089	COLLAR, BEARING EXTENDER	1	
3@	12779	BEARING, 85MM X 130MM, FLANGED	1	
4@	12250	PLATE, WEAR	1	
5@	2621	FITTING, GREASE ZERK STR 1/4-28	1	
6@#	1162 A	CAP, GREASE ZERK, #2 YELLOW	2	
7@	12315	THRUST COLLAR W/BUSHING	1	
8	43115	SPIDER, 6 BLD HUB R.S. ASM	1.....	INCLUDES ITEMS W/#
9#\$	43102	SPIDER PLATE, RD HUB 6BLD	2	
10#	1875	WASHER, EXT. SHKP, 3/8 PLTD	6	
11#	1322	SCREW ASM, TROWEL ARM RETAINING	6	
12#	2143	SPRING, RS H ARM RETURN STD BOSS	6	
13#	32045	PIN, SPIRAL 5/16 X 2 NP	6	
14#	11991	ARM, TROWEL, 6 BLADE	6	
15#	21050	LEVER, TROWEL ARM HYD R.S.	6	
16#	2955	WASHER, LOCK, 7/16 ZINC	6	
17#	07034-007	NUT, HEX JAM 7/16-14 PLATED	6	
18#	21031	SCREW, HHC ROUNDED 7/16-14 UNC SPCL	6	
19#	11039	BUSHING, ARM 2 PIECE	12	
20#\$	11602	SCREW, SHS 3/8-16 X 1/4	12	
21\$	939654	SCREW, SHC M12-1.75 X 30MM 12.9	10	
22\$	43729	CAP PLUG, SPIDER HUB	2	
23	43102-SK	SERVICE KIT, 6BLD SQR SPIDER PLATE	1.....	INCLUDES ITEMS W/\$
24\$	43186	O-RING, SIZE 2-226 VITON	1	
26\$	1477	LOCTITE 242 BLUE .5CC	1	
27\$	19379-014	LOCTITE, #271 ANAEROBIC	1	
28\$	42436	SCREW, HFS, ZP, M8-1.25 X 25, CLASS 8.8	2	
30\$	43784	WASHER, SPIDER	2	

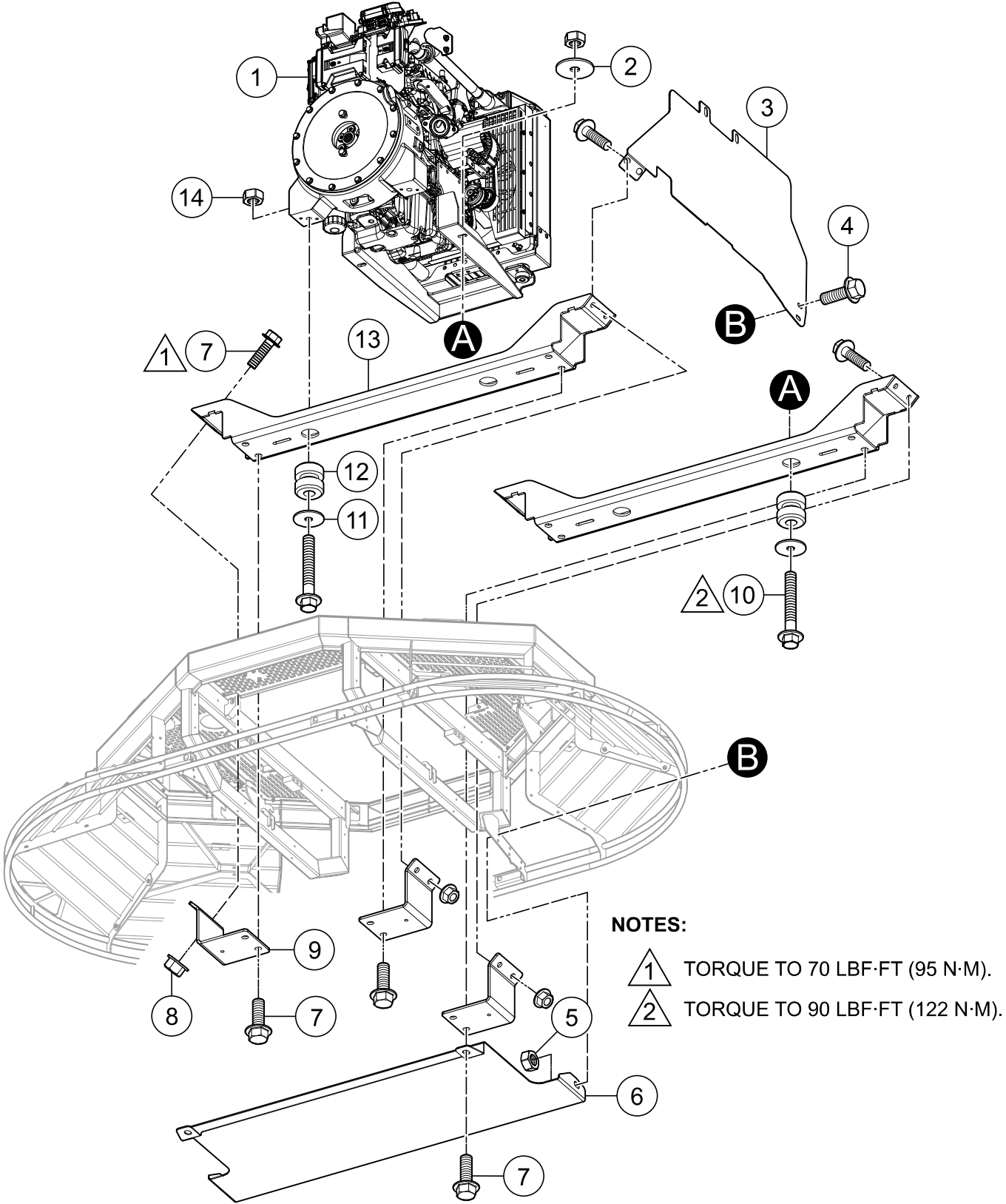
SPRAY ASSY.



SPRAY ASSY.

<u>NO.</u>	<u>PART NO.</u>	<u>PART NAME</u>	<u>QTY.</u>	<u>REMARKS</u>
1	2108	CAP, SPRAY TANK	1	
2	2478	FITTING, PETCOCK RAD DRAIN 1/4" MP	1	
3	10463	CLAMP, WORM #44	2	
4	43582	HOLDER, RETARDANT TANK	2	
5	42822	BOLT, CARRIAGE M8-1.25 X 20	4	
6	23802	NUT, HEX FLANGE M8-1.25 SERRATED	4	
7	60021	HOSE, 3/8" ID X 5/8" OD, BRAIDED PVC 7 FT.....	7.....	1PC=1FT
8	60067	HOSE, 0.25" ID X 0.375" OD, BRAIDED PVC 18 IN.....	2.....	1PC=1FT
9	30547	PUMP ASSEMBLY.....	2.....	INCLUDESITEMSW/#
10#	37403	CONNECTOR KIT, FEM DEUTSCH DT06-2S	2	
11#	30540	PUMP, RETARDANT SPRAY	2	
12	23307	TEE, .375" PLASTIC BARB	1	
13	28922-058	WASHER M5	8	
14	15518-004	NUT, HHC, NYLOC, M4-0.7	8	
15	2912	FITTING, BRASS 90° 4BARB-1/4FP	2	
16	16630	WASHER, FLAT SAE 1/2" HI STRENGTH	2	
17	392292	NOZZLE, SPRAY	2	
18	42637	CHECK VALVE, 1/4" MNPT X 1/4" FNPT 3 PSI	2	
19	2898	WASHER, BONDED NEOPRENE 1" X 1/2"	2	
20	42894	SCREW, HHC M4-0.7 X 20MM	8	
21	10022	FITTING, PLASTIC 6 BARB-4 BARB	2	
22	15538	CLAMP, WORM #6	10	
23	2925	ELBOW, 90° 3/8" BARB 3/8" NPT-M	1	
24	2926	SCREEN, STRAINER	1	
25	2916	1/8" WALL POLY LINEAR OR CROSS LINK PLASTIC	1	

ENGINE MOUNTING ASSY.



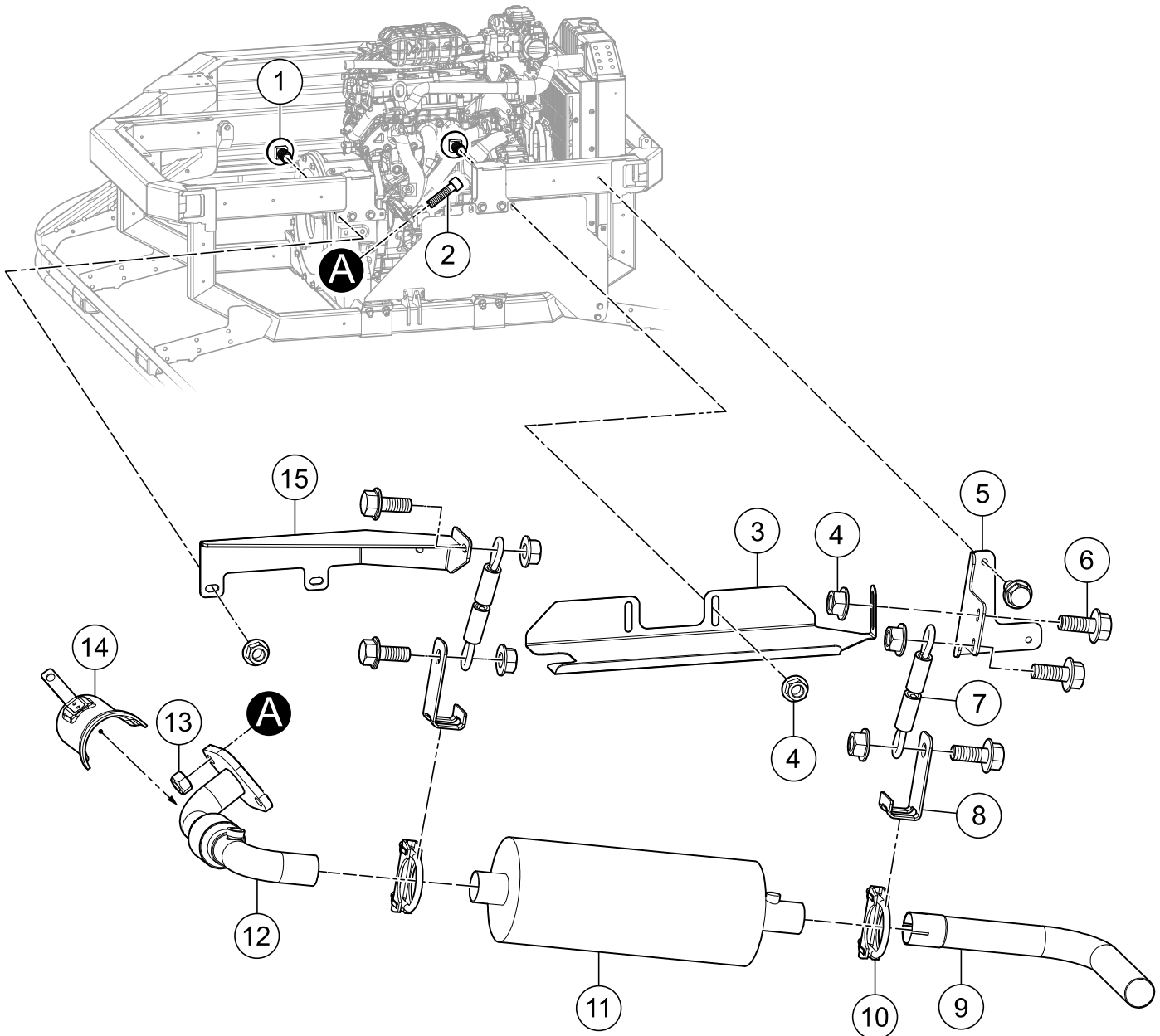
NOTES:

- 1 TORQUE TO 70 LBF·FT (95 N·M).
- 2 TORQUE TO 90 LBF·FT (122 N·M).

ENGINE MOUNTING ASSY.

<u>NO.</u>	<u>PART NO.</u>	<u>PART NAME</u>	<u>QTY.</u>	<u>REMARKS</u>
1	43140	FORD 425 ENGINE	1	
2	58693	WASHER, FENDER, 1/2" ID X 1-3/8" OD, GD 8	2	
3	43731	PANEL, HEAT SHIELD, EXHAUST	1	
4	42343	SCREW, HFS, ZP, M8-1.25 X 20, CLASS 8.8	4	
5	42344	NUT, NYLOC, M8-1.25, CLASS 8.8	2	
6	43827	SHIELD, FORD 425 RADIATOR DEBRIS	1	
7	42340	SCREW, HHFS M10-1.5 X 35 GR 8.8	16	
8	42353	NUT, HEX, SERRATED-FLANGE, M10-1.5	8	
9	43336	CLAMP, GEN 4 DF ENGINE RAIL	4	
10	9176	SCREW, HHF M12-1.75 X 80MM GR10.9 PATCH	4	
11	20743	WASHER, ISO SNUB KROFUND DYN 148099-18	4	
12	20742	ISOLATOR, ARMOR PLATED UNIVERSAL GREEN	4	
13	43332	RAILS, GEN 4 DF ENGINE CLAMP	2	
14	021112140	NUT, HEX, NYLOC, M12-1.75	4	

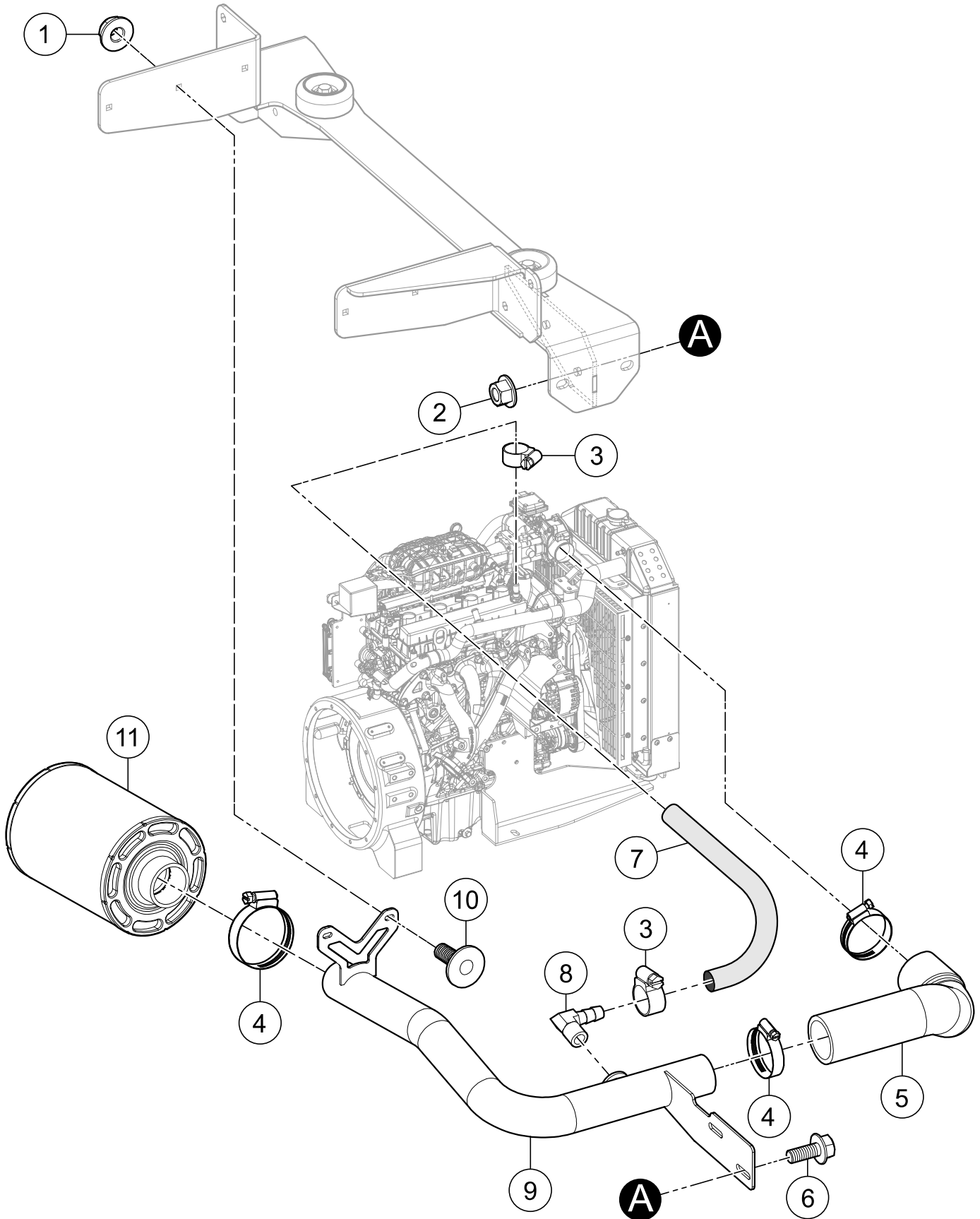
EXHAUST ASSY.



EXHAUST ASSY.

<u>NO.</u>	<u>PART NO.</u>	<u>PART NAME</u>	<u>QTY.</u>	<u>REMARKS</u>
1	42822	BOLT, CARRIAGE M8-1.25 X 20	4	
2	43754	SCREW, SHC M10-1.5 X 40MM GR 12.9	2	
3	43732	HEAT SHIELD, CATALYTIC CONVERTER	1	
4	23802	NUT, HEX FLANGE M8-1.25 SERRATED	9	
5	43459	BRACKET EXHAUST HANGER	1	
6	42343	SCREW, HFS, ZP, M8-1.25 X 20, CLASS 8.8	7	
7	42323	HANGER, STEEL ROPE EXHAUST	2	
8	43738	HANGER, EXHAUST	2	
9	43359	PIPE, ELBOW C EXHAUST	1	
10	2534	CLAMP, 1-3/4" MUFFLER	2	
11	43361	CONVERTER, TSG415 CATALYTIC	1	
12	43356	EXHAUST HEADER W/A	1	
13	43755	NUT, M10-1.5 DEFORMED THREAD	2	
14	43733	HEAT SHIELD, HEADER TUBE	1	
15	43726	BRACKET EXHAUST HANGER	1	

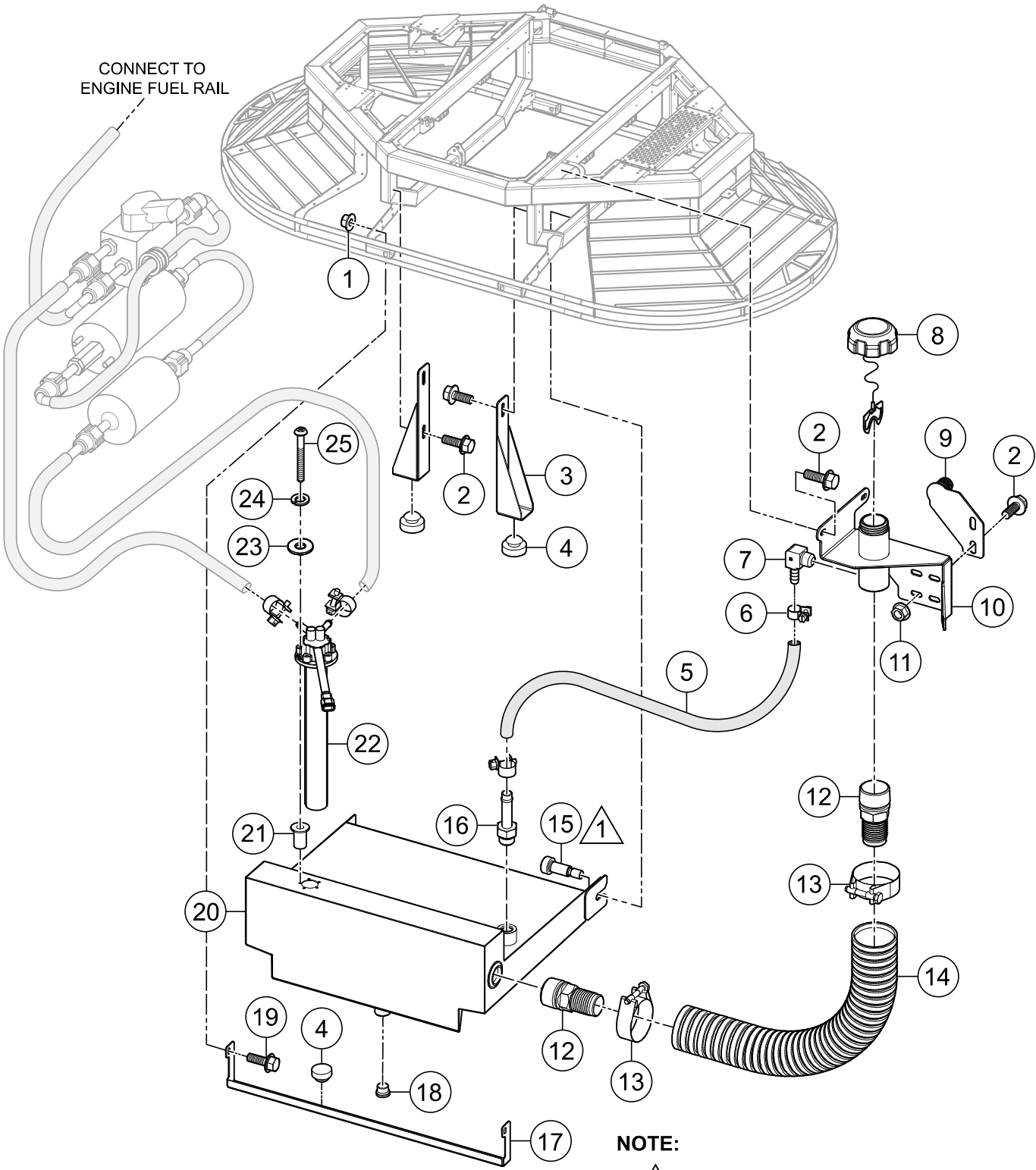
AIR CLEANER ASSY.



AIR CLEANER ASSY.

<u>NO.</u>	<u>PART NO.</u>	<u>PART NAME</u>	<u>QTY.</u>	<u>REMARKS</u>
1	42352	NUT, HEX, SERRATED-FLANGE, M6-1.0	2	
2	23802	NUT, HEX FLANGE M8-1.25 SERRATED	2	
3	19473	CLAMP, WORM #2	2	
4	29218	CLAMP, WORM #48	3	
5	43453	HOSE, AIR INTAKE	1	
6	42343	SCREW, HFS, ZP, M8-1.25 X 20, CLASS 8.8	2	
7	43458	HOSE, BREATHER	1	
8	370582	FITTING, BRASS 90° 6BARB - 1/4 MP	1	
9	43456	BRACKET, AIR FILTER	1	
10	42823	BOLT, CARRIAGE, M6-1.00 X 16	2	
11	42037	AIR CLEANER, ENGINE INTAKE	1	

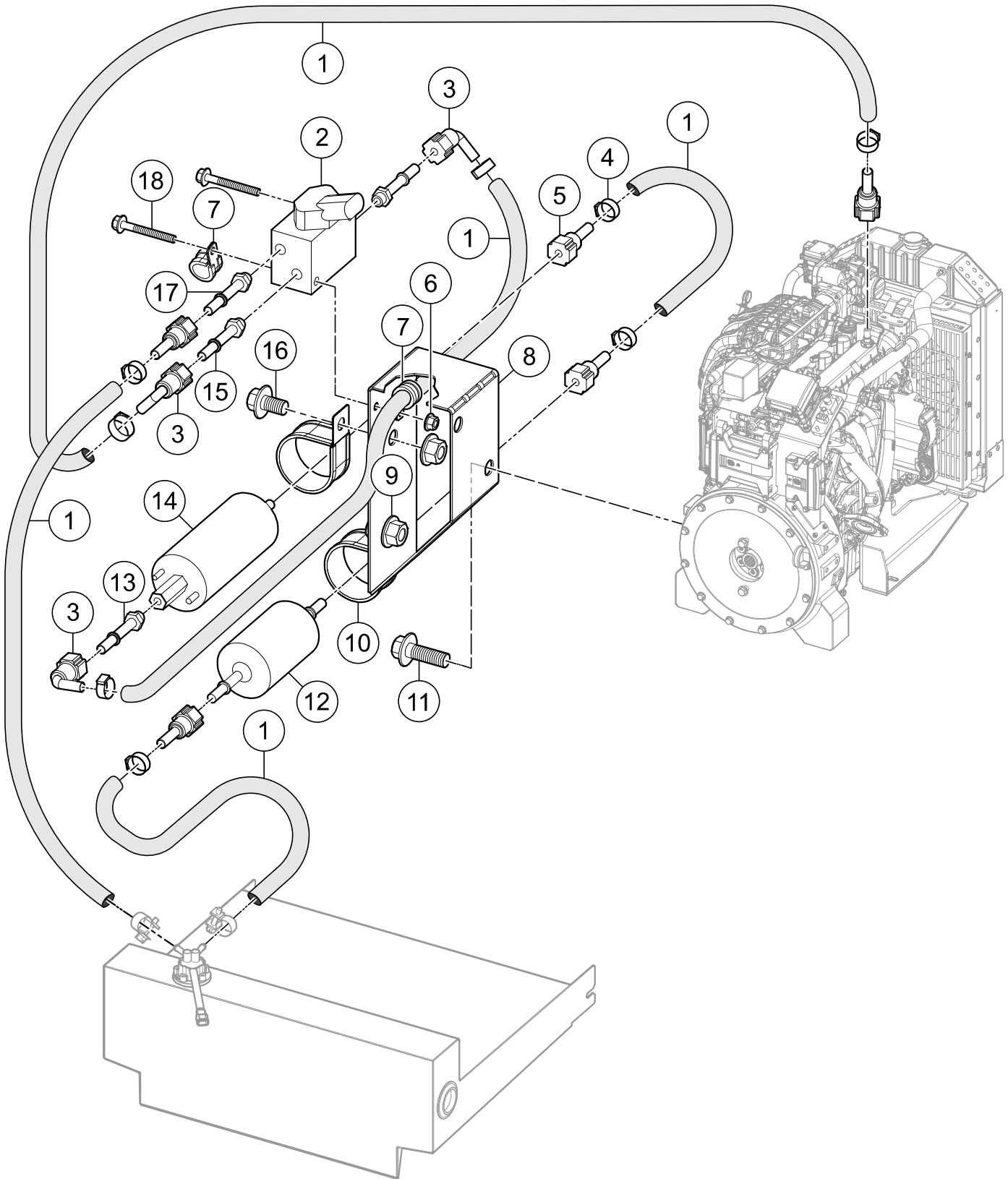
FUEL TANK ASSY.



FUEL TANK ASSY.

<u>NO.</u>	<u>PART NO.</u>	<u>PART NAME</u>	<u>QTY.</u>	<u>REMARKS</u>
1	42353	NUT, HEX, SERRATED-FLANGE, M10-1.5	2	
2	42343	SCREW, HFS, ZP, M8-1.25 X 20, CLASS 8.8	8	
3	43347	STRAP, FUEL TANK TOP	2	
4	21597	BUMPER, STEM 1.0"D X .5S X .31	6	
5	42459	HOSE, RUBBER, .3125, LOW PERM 145 PSI 16IN.....	2.....	1PC=1FT
6	19473	CLAMP, WORM #2	4	
7	29301	FITTING 90° 3/8 MP X 6BARB BRASS	1	
8	42446	CAP, FUEL	1	
9	43723	BRACKET, PROPANE HOSE STOW	1	
10	43286	BRACKET, FUEL FILL / HYD TANK	1	
11	23802	NUT, HEX FLANGE M8-1.25 SERRATED	2	
12	43391	FITTING, STR, -24 BARB X 1-1/2 MP	2	
13	42988	CLAMP, T-BOLT, 1 7/8" - 2 1/8"	2	
14	43715	HOSE, 1.50" X 16.75" E-Z FORM	1	
15	43354	SCREW, SHSLDR M10 X M20 X M8-1.25	2	
16	25671	FITTING, STR 6BARB - 6MO	1	
17	43348	STRAP, FUEL TANK FRONT	1	
18	43763	FITTING, PLUG 9/16-18UNF X 1/4 SHH	1	
19	32976	SCREW, HHFS M10-1.5 X 25 GR 10.9	2	
20	43392	TANK, FUEL	1	
21	49163	NUT, BLIND M4-1.0 X .020-.08 GRIP	5	
22	43141	SENDING UNIT, FUEL	1	
23	2203	WASHER, FLAT, #10	5	
24	19780	WASHER, LOCK #10 MED	5	
25	43645	SCREW, PHP M4-0.7 X 35MM	5	

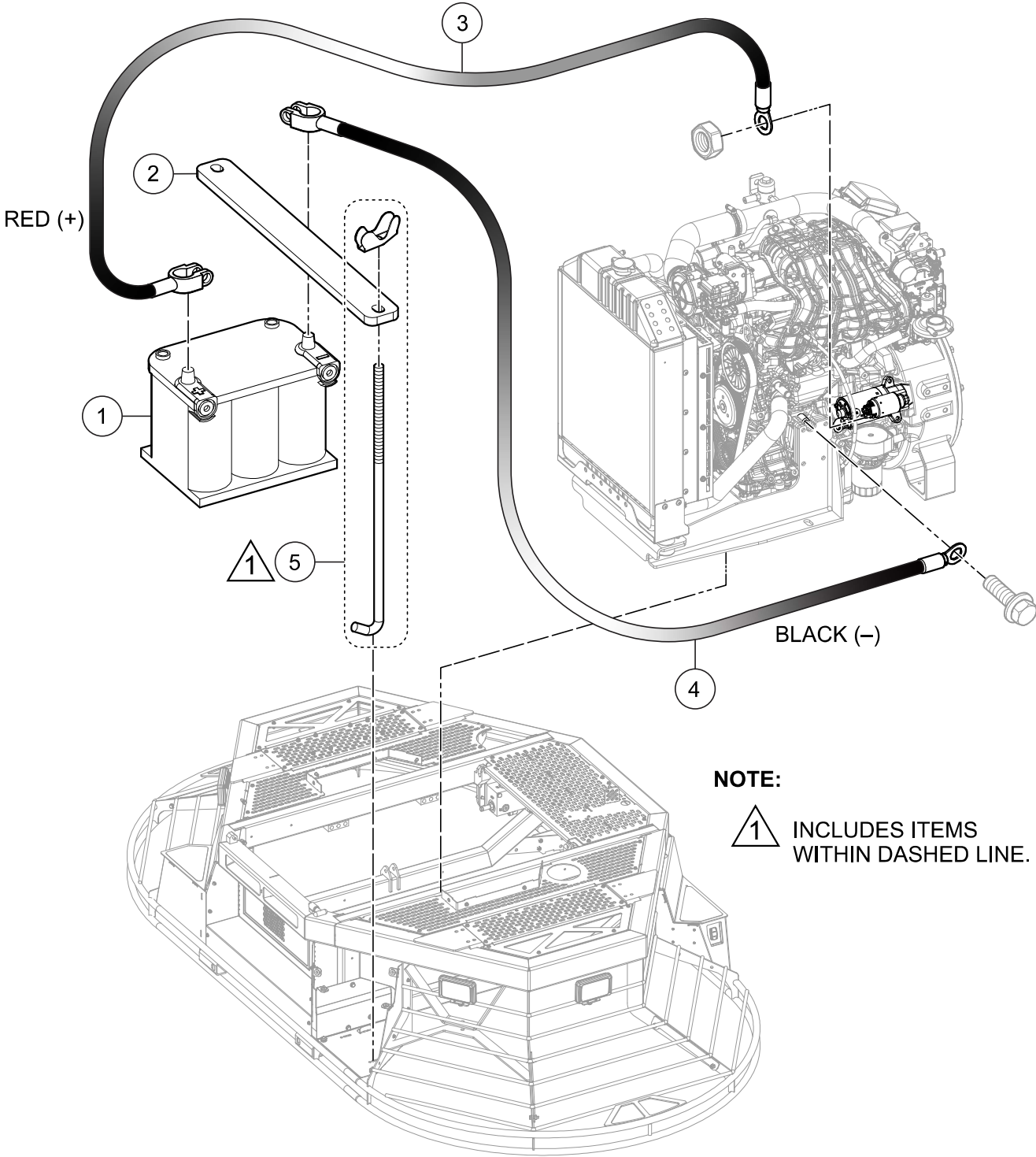
FUEL PUMP ASSY.



FUEL PUMP ASSY.

<u>NO.</u>	<u>PART NO.</u>	<u>PART NAME</u>	<u>QTY.</u>	<u>REMARKS</u>
1	42459	HOSE, RUBBER, .3125, LOW PERM 145 PSI 118IN.....	10.....	1PC=1FT
2	43140-05	GASOLINE FUEL BLOCK	1	
3	42458	FITTING, FUEL .312, 90 DEG SAE J2044	3	
4	37822	CLAMP, 15.3MM OETIKER STEPLESS EAR	10	
5	42457	FITTING, FUEL .312, STRAIGHT SAE J2044	5	
6	42352	NUT, HEX, SERRATED-FLANGE, M6-1.0	2	
7	35023	CLAMP, LOOM CUSHIONED #10 .263 HOLE	2	
8	43695	BRACKET, FUEL COMPONENT	1	
9	42451	NUT, HEX, SERRATED-FLANGE, M12-1.75	2	
10	43140-06	FUEL PUMP MOUNTING CLAMP	2	
11	42350	SCREW, HFS, ZP, M12-1.75 X 30, CLASS 8.8	2	
12	43140-04	FILTER, FUEL	1	
13	43140-62	FITTING, FUEL PUMP, M10	1	
14	43140-02	GASOLINE FUEL PUMP	1	
15	43140-64	FITTING, FUEL BLOCK, SAE 6	2	
16	34317	SCREW, HHFS M12-1.75 X 20	2	
17	43140-63	FITTING, FUEL BLOCK, SAE 3	1	
18	32796	SCREW, HHFS M6-1 X 50	2	

BATTERY ASSY.

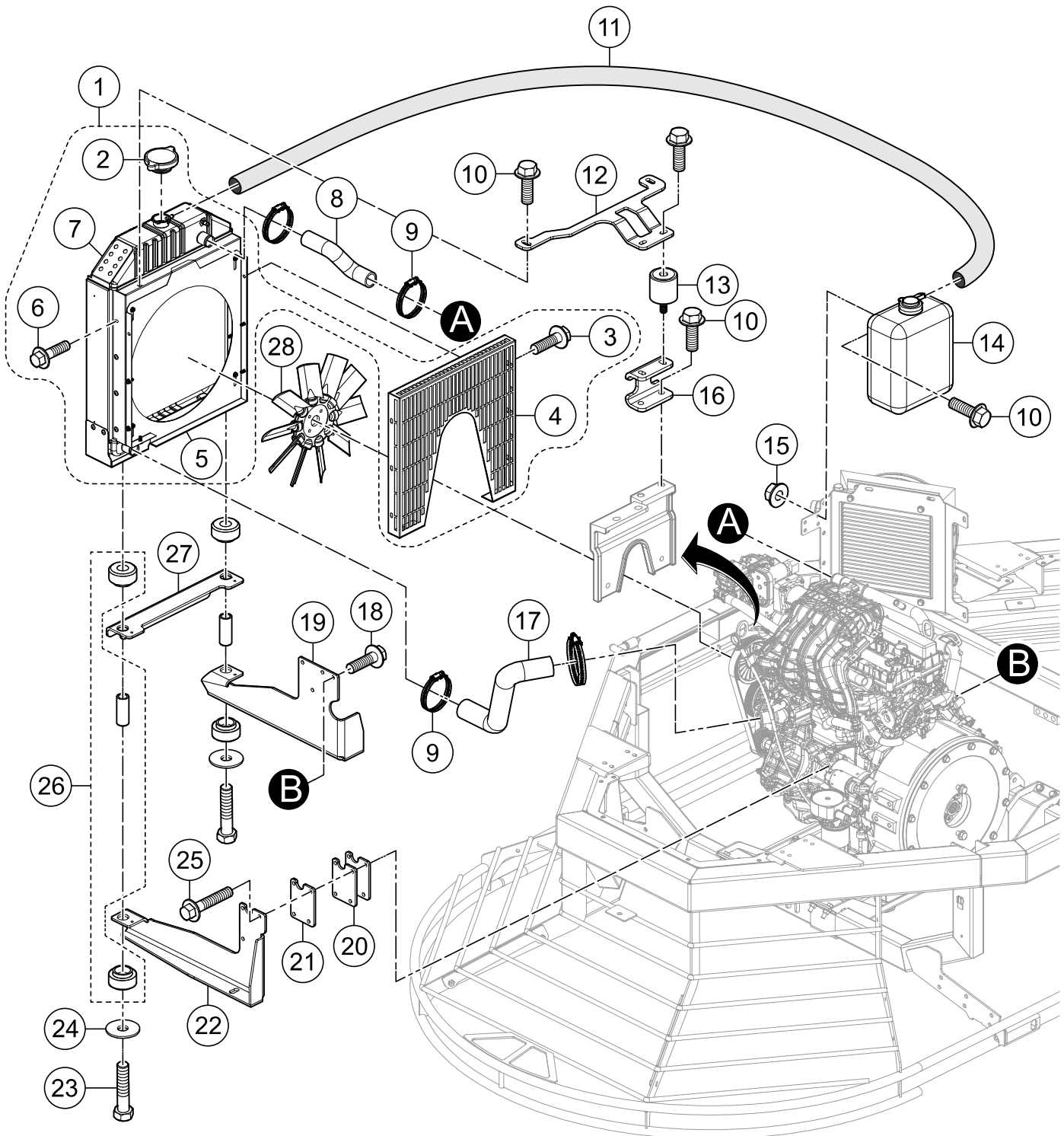


NOTE:
① INCLUDES ITEMS
WITHIN DASHED LINE.

BATTERY ASSY.

<u>NO.</u>	<u>PART NO.</u>	<u>PART NAME</u>	<u>QTY.</u>	<u>REMARKS</u>
1	404006	BATTERY, SEALED, GROUP 34M STARTING	1	
2	43618	BRACKET, CLAMP, BATTERY	1	
3	12675	CABLE, BATTERY POS, 4 GA X 36"	1	
4	12022	CABLE, BATTERY NEG 4 GA X 23"	1	
5	20194	KIT, BATTERY J-BOLTS, 8"	1	

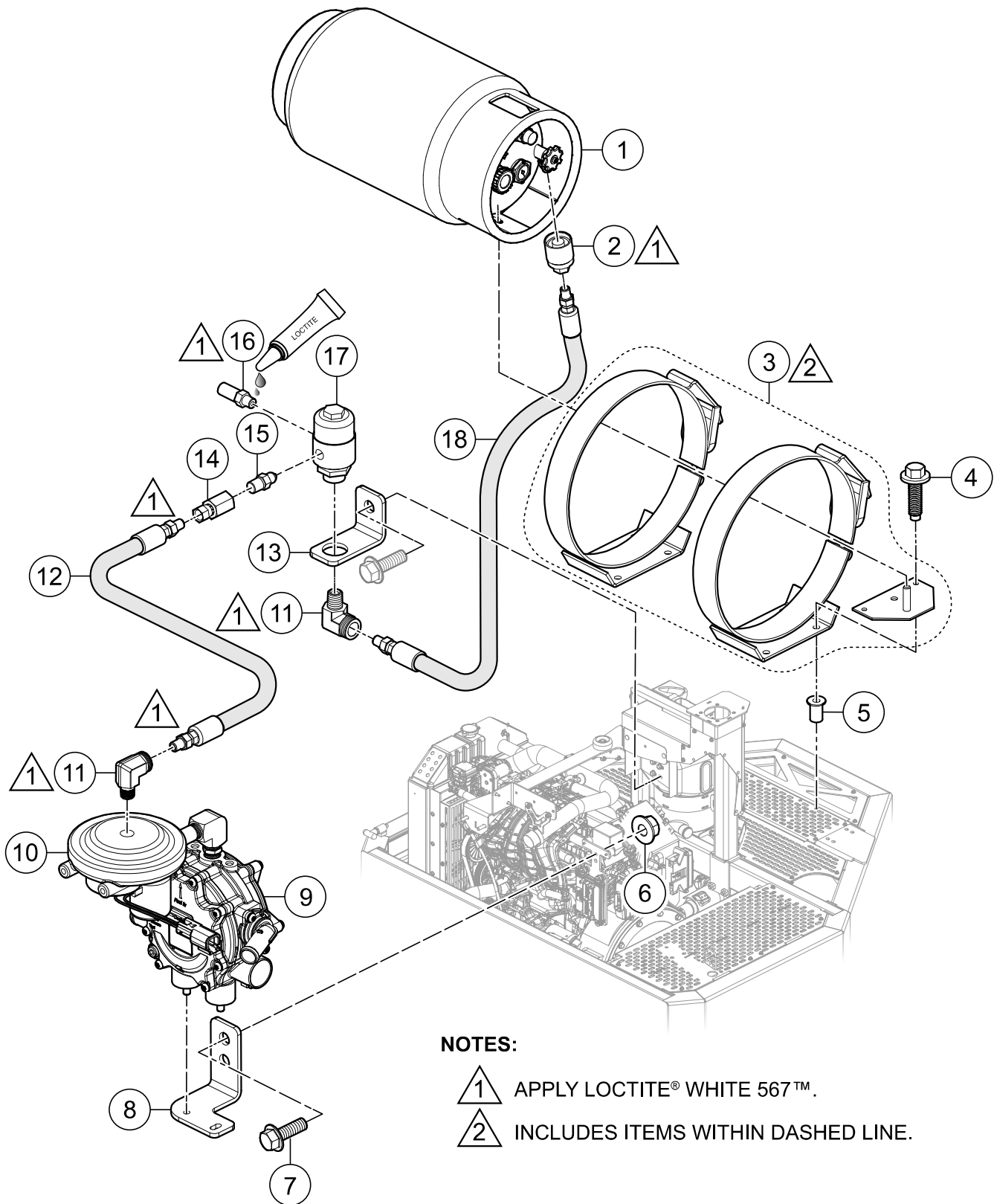
RADIATOR ASSY.



RADIATOR ASSY.

<u>NO.</u>	<u>PART NO.</u>	<u>PART NAME</u>	<u>QTY.</u>	<u>REMARKS</u>
1	43140-03	ASSY., RADIATOR, RCP FORD MSG425	1	INCLUDESITEMSW/#
2#	43140-69	RADIATOR CAP	1	
3#	42542	HEX SERRATED FLANGE SCREW, M6-1 X 16	8	
4#	43140-70	SHROUD, FAN, ASSY., COMPLETE	1	
5#	43140-71	GUARD, FAN	1	
6#	34364	HEX SERRATED FLANGE SCREW, 1/4-20 X 0.5	8	
7#	43140-21	SUBASSEMBLY, RADIATOR	1	
8	43140-88	HOSE, UPPER, 33.34 ID	1	
9	43140-76	CLAMP, HOSE, WORM-DRIVE, 21-44 OD	4	
10	42342	HEX SERRATED FLANGE SCREW, M8-1.25 X 16	10	
11	43140-80	HOSE, OVERFLOW	1	
12	43140-77	SUPPORT, UPPER	1	
13	43140-78	ISOLATOR, 32 X 32, M8-1.25	2	
14	43140-79	OVERFLOW BOTTLE	1	
15	23802	HEX SERRATED FLANGE NUT, M8-1.25	6	
16	43140-81	MOUNT, UPPER	1	
17	43140-82	HOSE, LOWER, 33.34 ID	1	
18	32976	HEX SERRATED FLANGE SCREW, M10-1.5 X 25	4	
19	43140-83	LEG, RIGHT FRONT	1	
20	43140-84	BRACKET, MISC., SPACER, 121.0 X 89.0 X 7.94	2	
21	43140-85	BRACKET, MISC., SPACER	1	
22	43140-86	LEG, LEFT FRONT	1	
23	12318	HEX CAP SCREW, 1/2-13 X 2.75	2	
24	26872	LARGE OD PLAIN WASHER, 0.500 X 2.00 X 0.125	2	
25	42341	HEX SERRATED FLANGE SCREW, M10-1.5 X 40	4	
26	43140-68	RADIATOR LOWER ISOLATOR MOUNTS	2	
27	43140-87	ASSY., BRACKET, CROSS	1	
28	43140-58	PUSHER FAN	1	

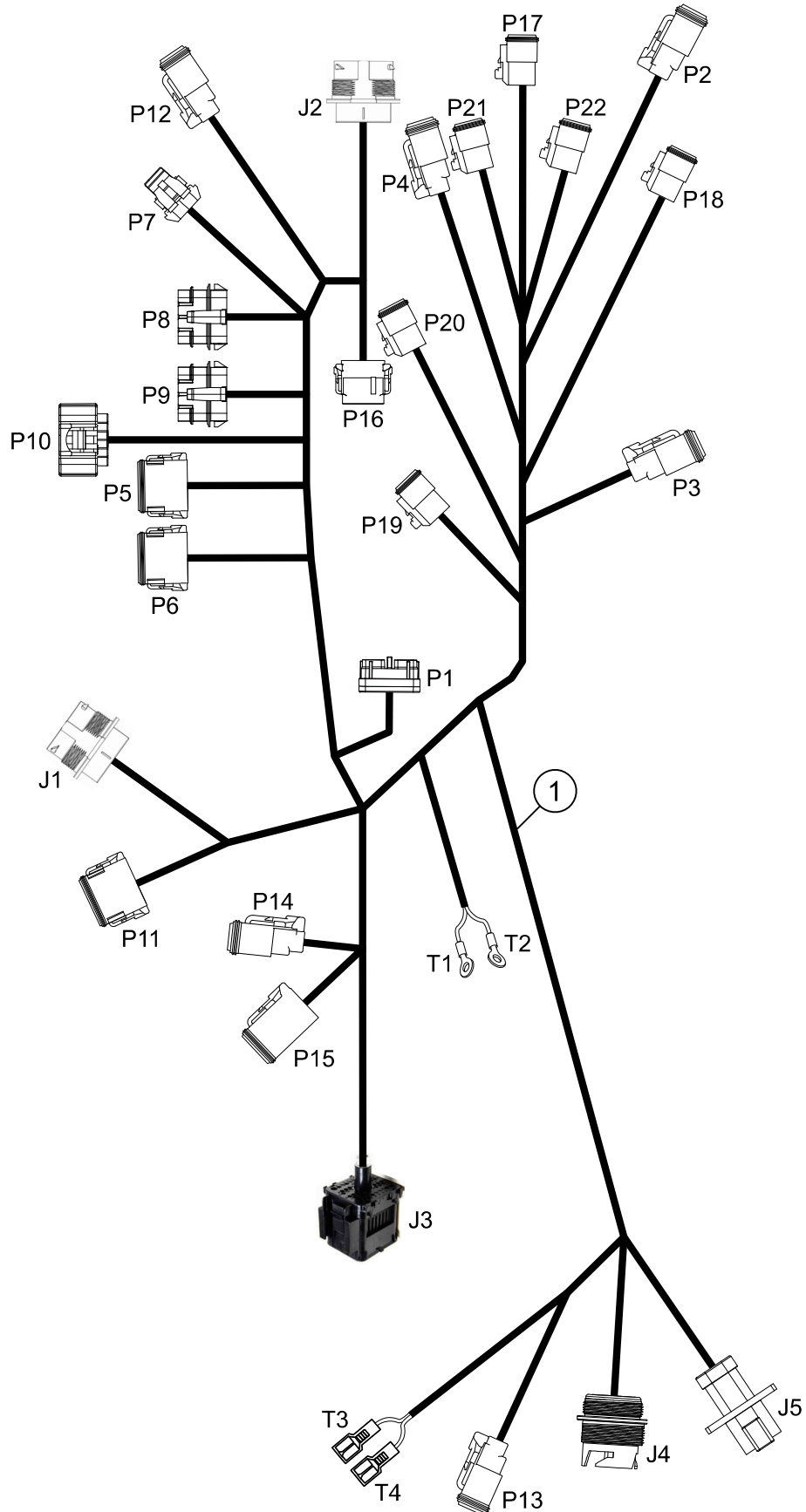
LPG FUEL SYSTEM ASSY.



LPG FUEL SYSTEM ASSY.

<u>NO.</u>	<u>PART NO.</u>	<u>PART NAME</u>	<u>QTY</u>	<u>REMARKS</u>
1	30006	TANK, PROPANE, 33.5 LB.	1	
2	30007	CONNECTOR, PROPANE TANK, FEMALE	1	
3	30427	BRACKET, PROPANE, LOW PROFILE	1	
4	42325	SCREW, HHC, M6-1.0 X 20, CAPTIVE WASHER	8	
5	42496	NUT, BLIND HEX M6-1.0	8	
6	42451	NUT, HEX, SERRATED-FLANGE, M12-1.75	2	
7	42350	SCREW, HFS, ZP, M12-1.75 X 30, CLASS 8.8	2	
8	43696	BRACKET, VAPORIZER	1	
9	43140-09	LPG VAPOR REGULATOR	1	
10	43140-49	12V LPG SHUTOFF VALVE WITH FILTER	1	
11	8053	FITTING, 90° 1/4MP X 1/4FP	2	
12	43046	HOSE ASSEMBLY, 1/4"ID LPG X 30", 2X 1/4MP	1	
13	42277	MOUNT, PROPANE ASSEMBLY	1	
14	32832	FITTING, STR -4FJ X -4FP	1	
15	43750	FITTING, 4MJ X 4MBSPT STR	1	
16	42200	VALVE, PRESSURE RELIEF-LP	1	
17	42322	FILTER, PROPANE IN-LINE	1	
18	43047	HOSE ASSEMBLY, 1/4"ID LPG X 44.5", 2X 1/4MP	1	

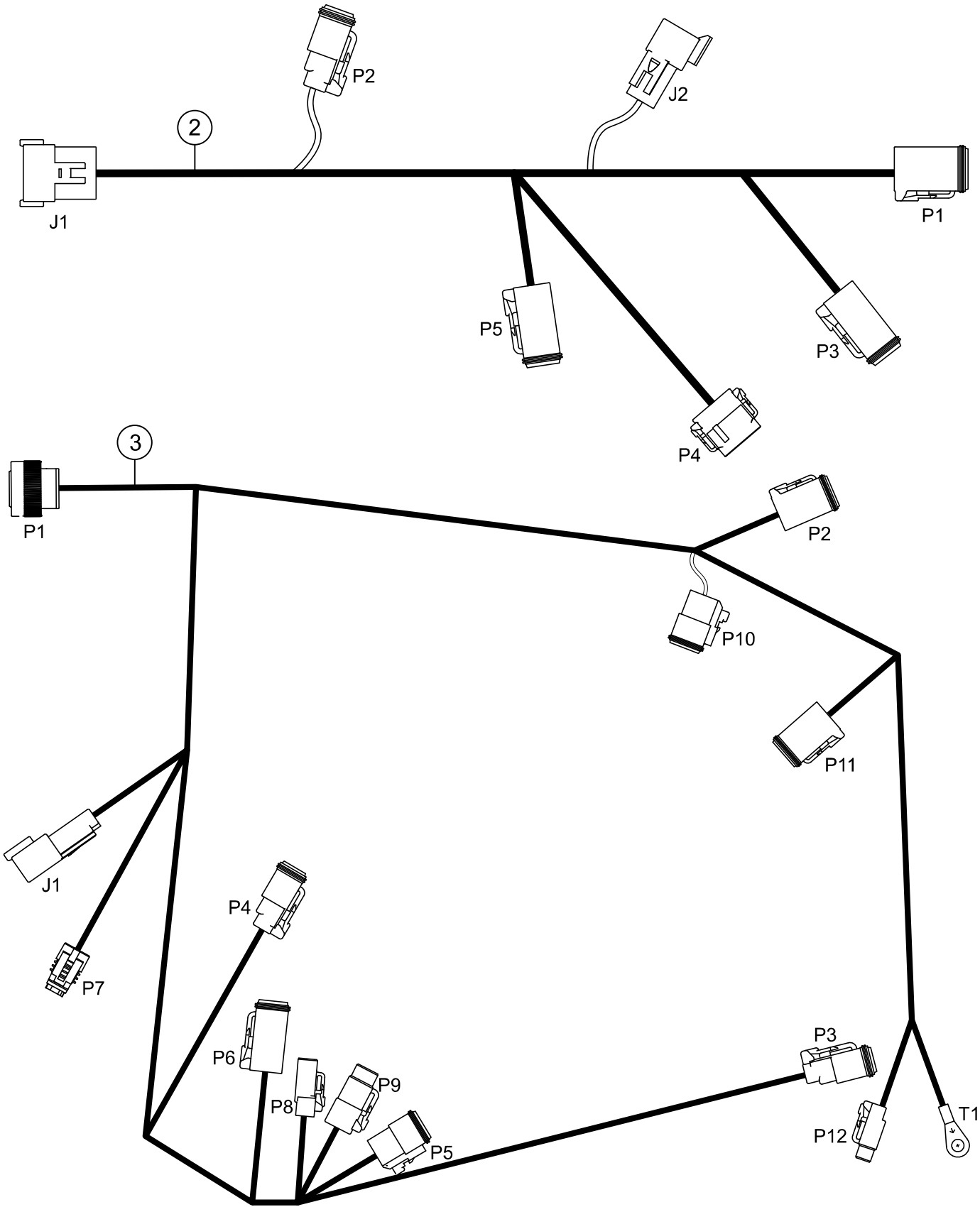
HARNES ASSY.



HARNES ASSY.

<u>NO.</u>	<u>PART NO.</u>	<u>PART NAME</u>	<u>QTY.</u>	<u>REMARKS</u>
1	43138	HARNES, MAIN	1	

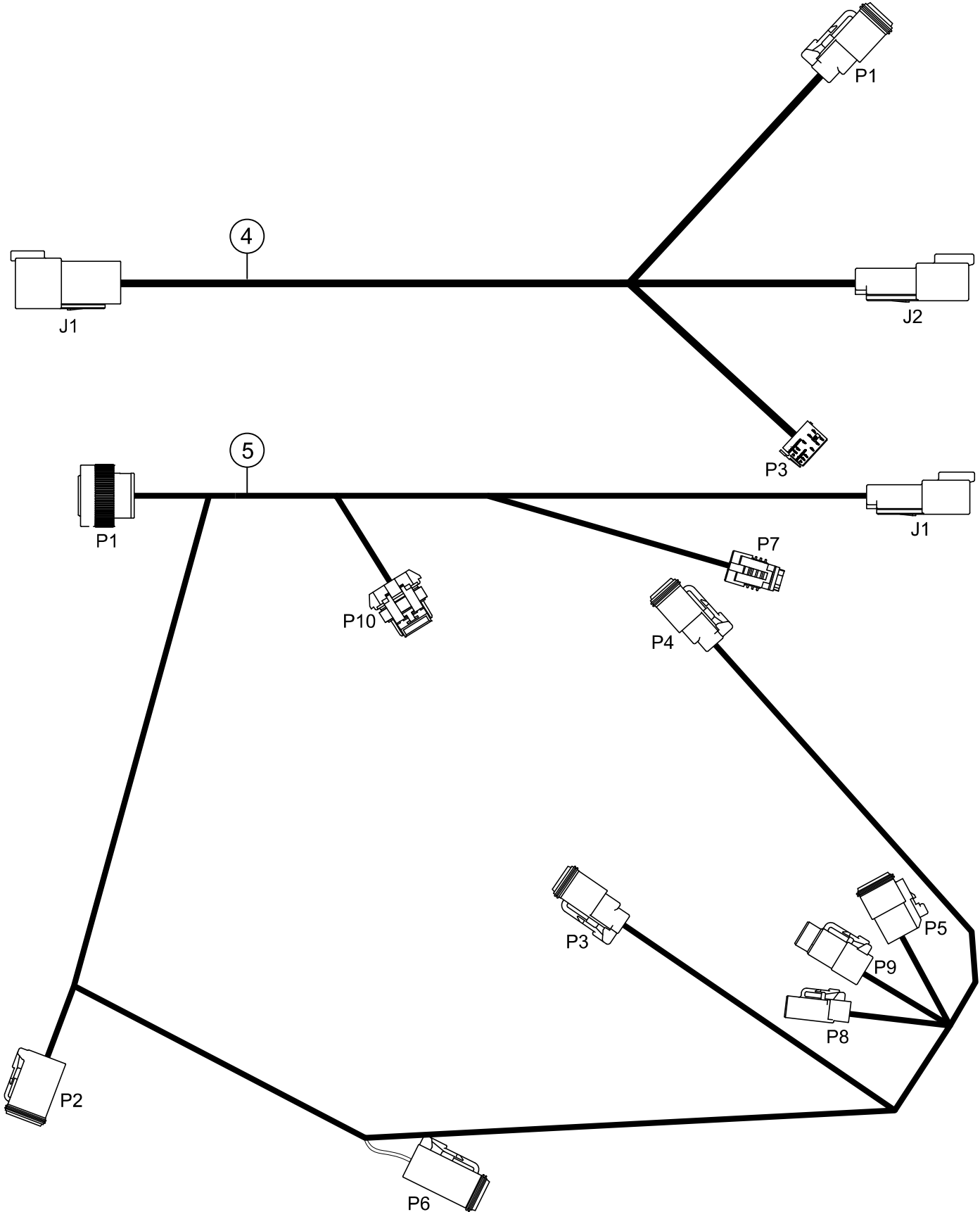
HARNESS ASSY. (CONTINUED)



HARNES ASSY. (CONTINUED)

<u>NO.</u>	<u>PART NO.</u>	<u>PART NAME</u>	<u>QTY.</u>	<u>REMARKS</u>
2	43137	HARNES, CONSOLE	1	
3	43363	HARNES, RIGHT	1	

HARNESS ASSY. (CONTINUED)



HARNESS ASSY. (CONTINUED)

<u>NO.</u>	<u>PART NO.</u>	<u>PART NAME</u>	<u>QTY.</u>	<u>REMARKS</u>
4	43365	HARNESS, STEP	1	
5	43364	HARNESS, LEFT	1	