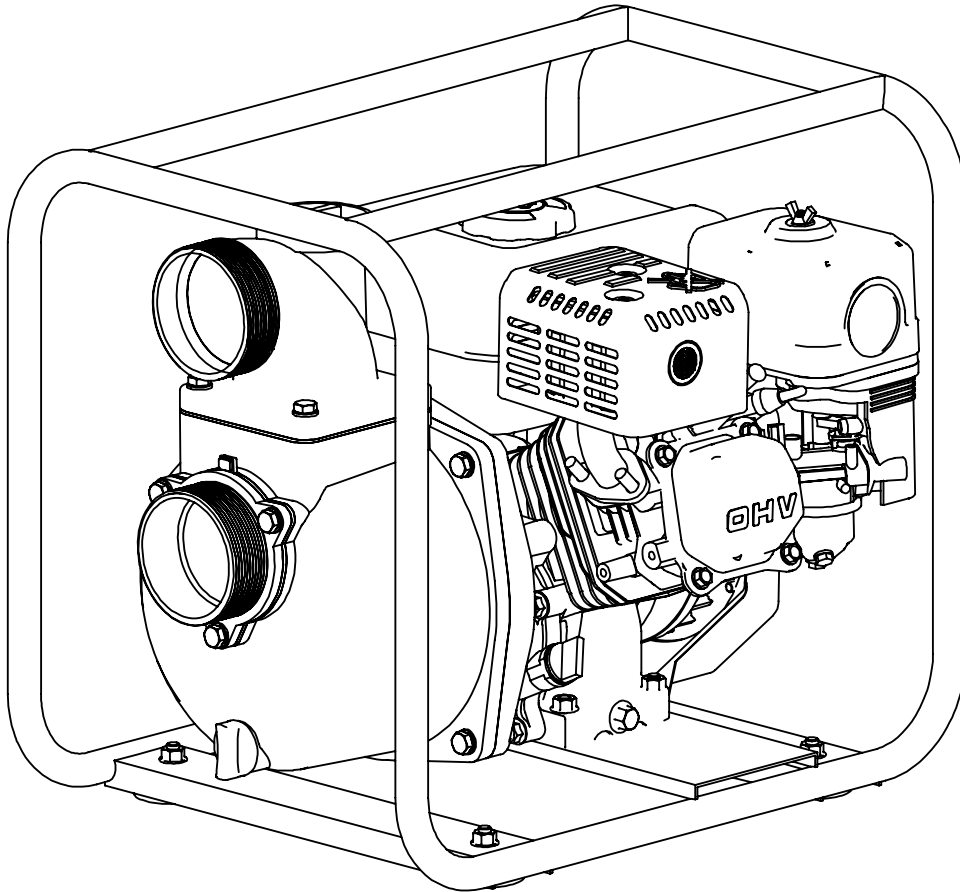




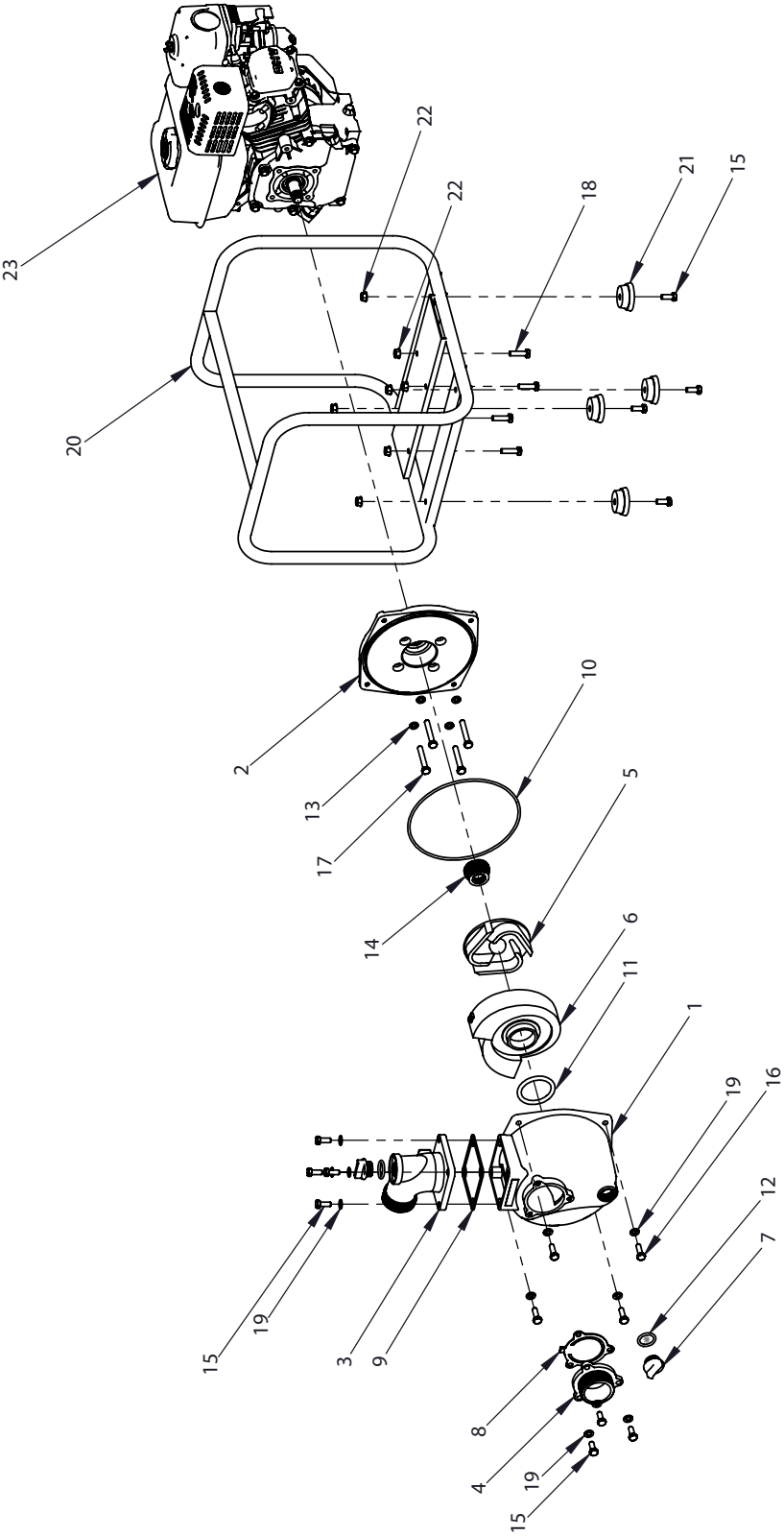
Operator's Manual
Original Operating Instructions
Water Pumps
WP6520 and WP6530



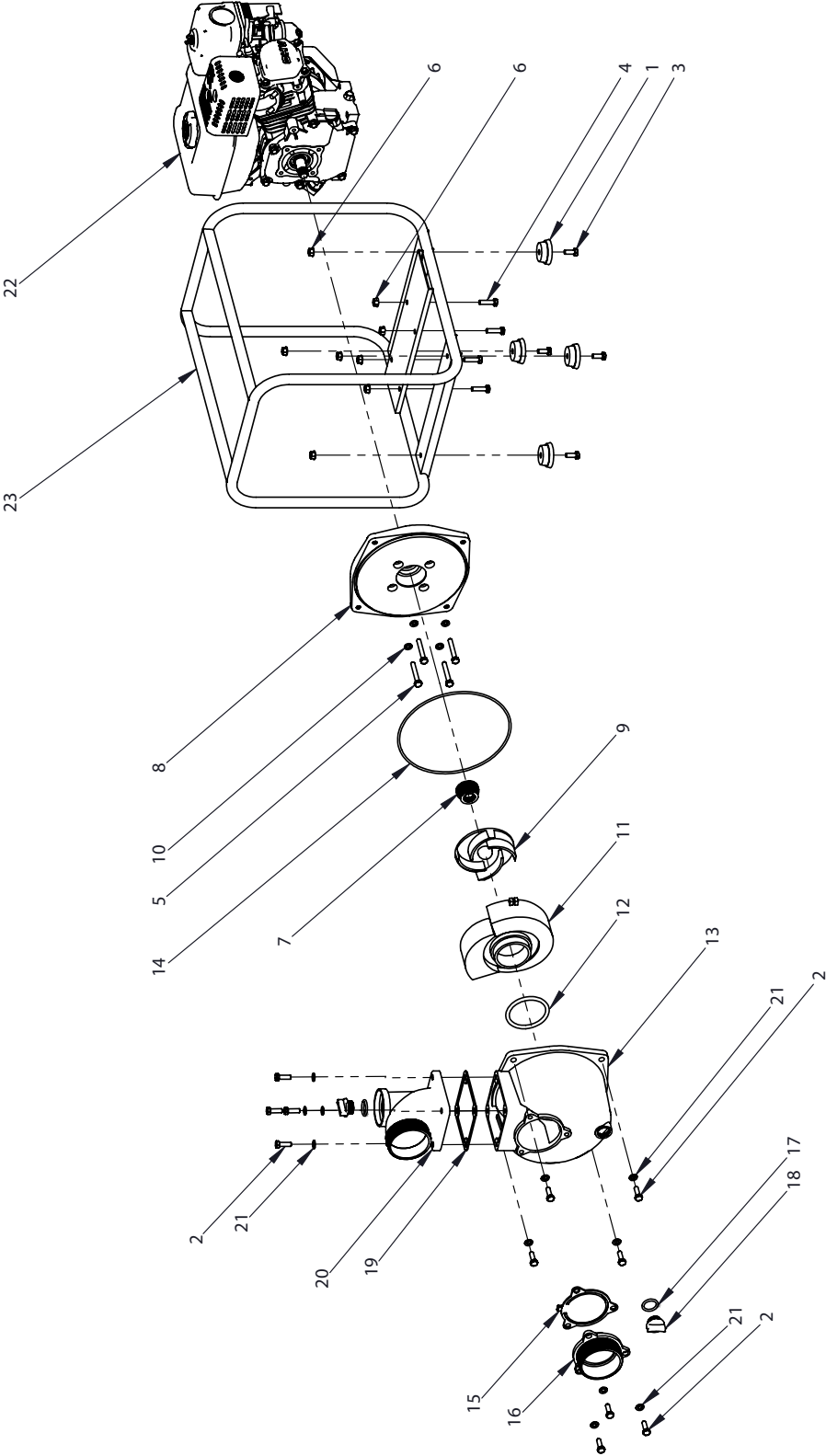
WP6520 (SHOWN)

Includes models:
WP6520 (shown)
WP6530

PARTS BREAKDOWN WP6520 PARTS EXPLOSION



WP6530 PARTS EXPLOSION



WP6520 PARTS LIST

KEY	PART #	DESCRIPTION	QTY.
1	--	CASE OUTBOARD PUMP 2 INCH	1
2	--	CASE INBOARD PUMP 2 INCH	1
3	913302	FLANGE DISCHARGE PUMP 2 IN	1
4	913303	FLANGE INLET PUMP 2 IN	1
5	913305	IMPELLER PUMP 2 IN	1
6	913306	VOLUTE PUMP 2 INCH	1
7	92702	CAP PRIMER PUMP 2 IN	2
8	913350	FLAP CHECK PUMP 2 IN	1
9	913350	GASKET DISCHARGE PUMP 2 IN	1
10	913350	O-RING CASE PUMP 2 IN	1
11	913350	O-RING VOLUTE PUMP 2 IN	1
12	92702	GASKET PUMP PRIMER CAP	2
13	913350	WASHER M8 RUBBER	4
14	913346	KIT PUMP SEAL 2 IN	1
15	--	BOLT M8 X 20 HHCS GR 8.8 ZN F-T	11
16	--	BOLT M8 X 25 HHFCS GR8.8 ZN	4
17	--	BOLT M8 X 55 HHFCS GR8.8 ZN	4
18	--	BOLT M8 X 1.25 X 30 HHFCS GR8.8 ZN	4
19	--	WASHER FLAT M8 8.4 X 16 X 1.6 THK GR8.8 ZN	11
20	--	WELDMENT FRAME PUMP 2 INCH	1
21	92701	BASE FOOT RUBBER WATER PUMP	4
22	--	NUT M8 X 1.25 HSF	8
23	92000	ENGINE 196CC	1
--	92772	REPLACEMENT PUMP (NOT SHOWN)	1
--	92779	KIT ATTACHMENTS 2" PUMP (NOT SHOWN)	1

WP6530 PARTS LIST

KEY	PART #	DESCRIPTION	QTY.
1	92701	BASE FOOT RUBBER WATER PUMP	4
2	--	BOLT M8 X 25 HHFCS GR8.8 ZN	11
3	--	BOLT M8 X 20 HHCS GR 8.8 ZN F-T	4
4	--	BOLT M8 X 1.25 X 30 HHFCS GR8.8 ZN	4
5	--	BOLT M8 X 55 HHFCS GR8.8 ZN	4
6	--	NUT M8 X 1.25 HSF	8
7	913359	KIT PUMP SEAL 3 INCH	1
8	--	CASE INBOARD PUMP 3 INCH	1
9	913351	IMPELLER PUMP 3 INCH	1
10	913343	WASHER M8 RUBBER	4
11	913326	VOLUTE PUMP 3 INCH	1
12	913343	O RING PUMP VOLUTE 3 INCH	1
13	--	CASE PUMP OUTBOARD 3 INCH	1
14	913343	O RING PUMP CASE 3 INCH	1
15	913343	CHECK FLAP PUMP 3 INCH	1
16	913323	FLANGE INLET PUMP 3 INCH	1
17	92702	GASKET PUMP PRIMER CAP	2
18	92702	CAP PRIMER PUMP	2
19	913343	GASKET PUMP DISCHARGE 3 IN	1
20	913322	FLANGE DISCHARGE PUMP 3 IN	1
21	--	WASHER FLAT M8 8.4 X 16 X 1.6 THK GR8.8 ZN	11
22	92000	ENGINE 196CC	1
23	--	WELDMENT FRAME PUMP 3 INCH	1
--	92773	REPLACEMENT PUMP (NOT SHOWN)	1
--	92781	ATTACHMENT KIT 3" PUMP (NOT SHOWN)	1

NOTE: When no part number is listed above, the corresponding part is not serviced. If any of those parts should fail, use P/N 92772 (WP6520) or 92773 (WP6530) to order a replacement pump. Hardware can be purchased at a local hardware store or repair center.