

OPERATION AND PARTS MANUAL



GLOBUG SERIES MODEL GBC8LED LIGHTING SYSTEM

Revision #1 (01/07/16)

THIS MANUAL MUST ACCOMPANY THE EQUIPMENT AT ALL TIMES.

TABLE OF CONTENTS

GBC8LED Lighting System

Fuel Chemical Warning	2
Table Of Contents	3
Parts Ordering Procedures.....	4
Safety Information	5-9
Specifications	10
Dimensions.....	11
Footcandle Plot.....	12
General Information.....	13
Components	14-15
Setup	16-17
Operation.....	18-21
Maintenance	22-25
Wiring Diagram.....	26
Troubleshooting	27-30
Explanation Of Code In Remarks Column.....	32
Suggested Spare Parts	33

Component Drawings

Nameplate And Decals.....	34-35
Balloon And Lamp Assy	36-39
Mast Assy	40-41
Base Assy.....	42-43
Outrigger Assy.....	44-45
Terms And Conditions Of Sale — Parts	46

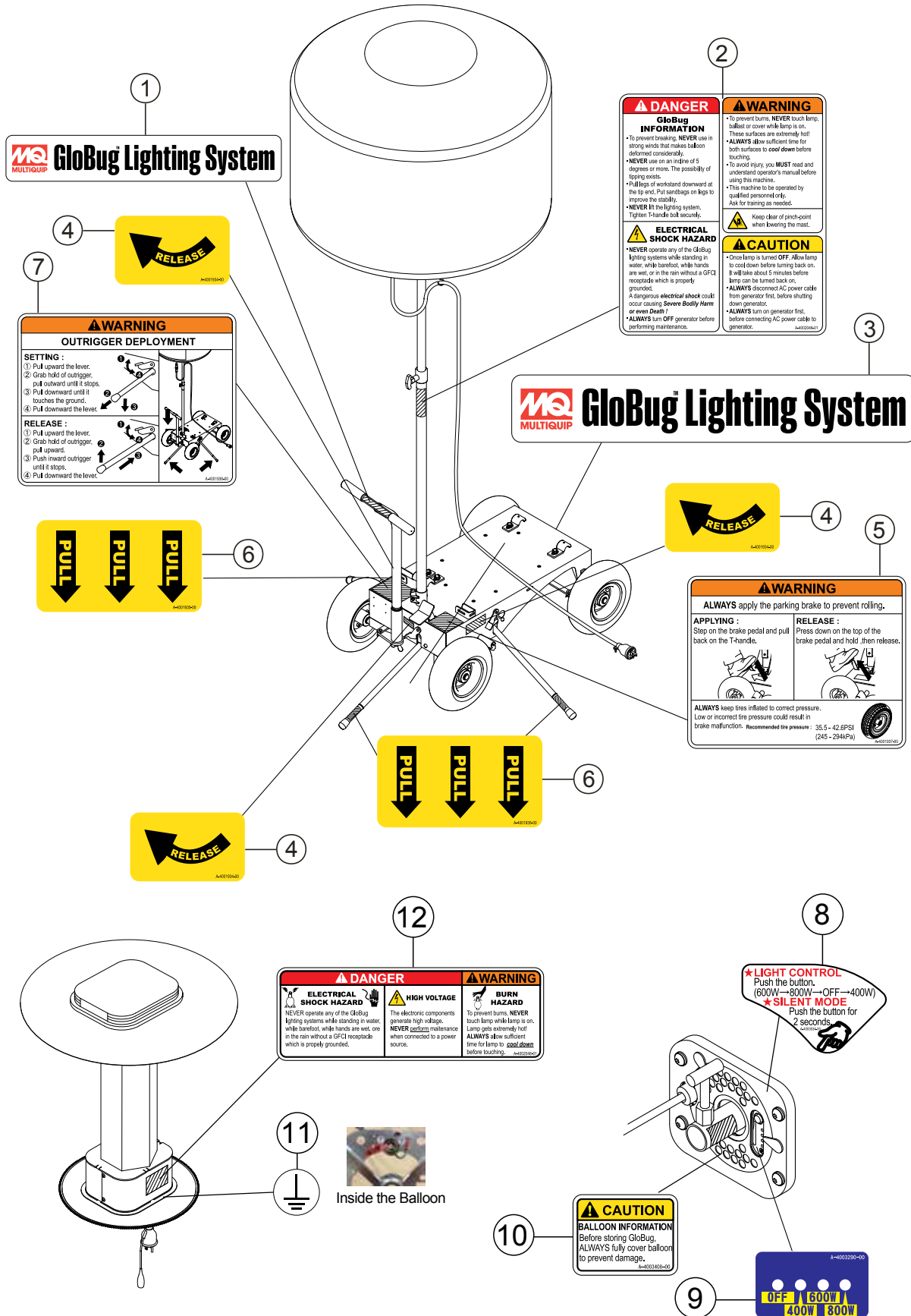
SUGGESTED SPARE PARTS

GBC8LED LIGHTING SYSTEM

1 to 3 units

Qty.	P/N	Description
3.....	A300282600.....	LED HEATSINK ASSY
2.....	A100108400.....	BALLOON CLOTH

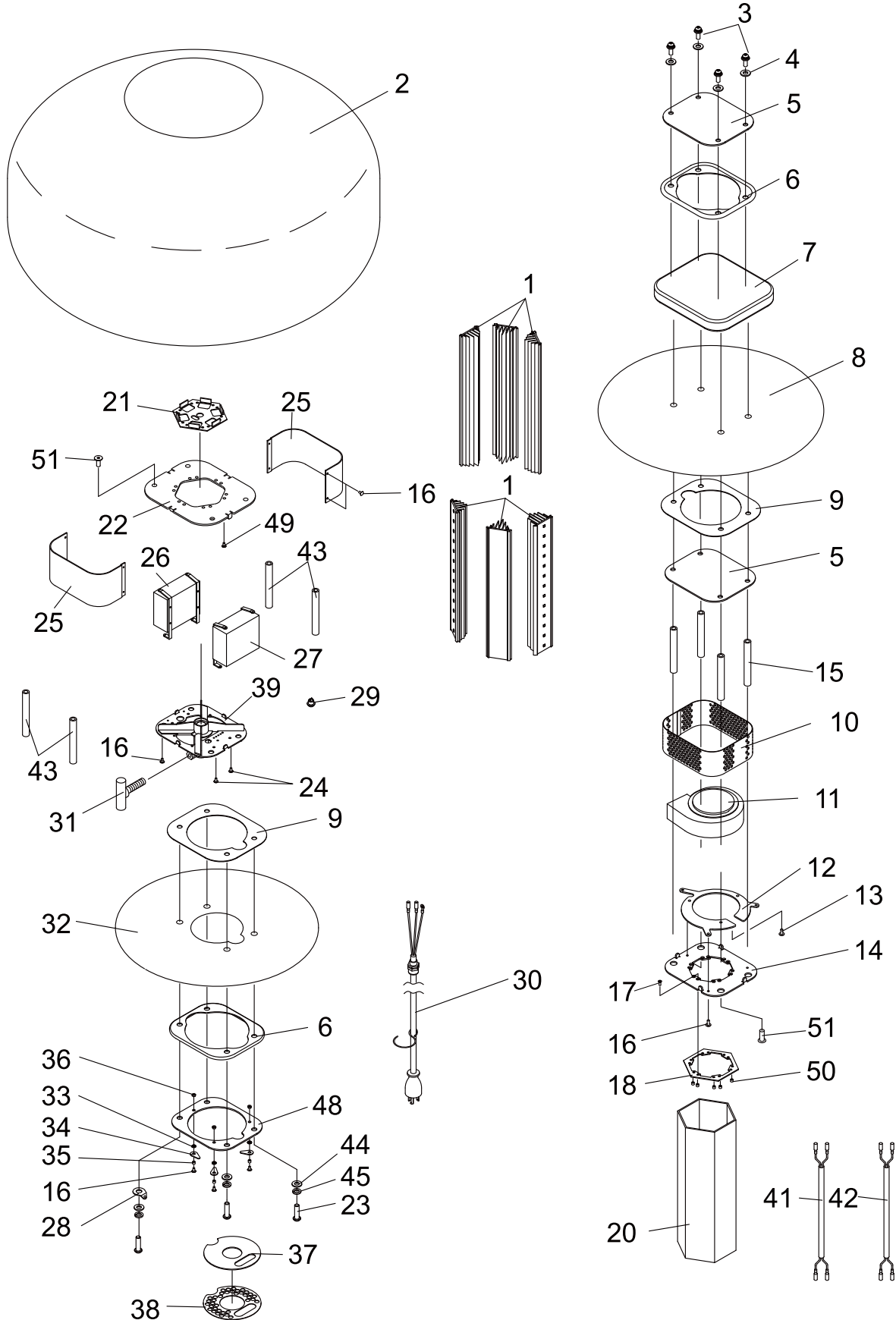
NAMEPLATE AND DECALS



NAMEPLATE AND DECALS

<u>NO.</u>	<u>PART NO.</u>	<u>PART NAME</u>	<u>QTY.</u>	<u>REMARKS</u>
1	A400193300	DECAL; GLOBUG LIGHTING SYSTEM	1	
2	A400324801	DECAL; GLOBUG INFORMATION	1	
3	A400194900	DECAL; GLOBUG LIGHTING SYSTEM	1	
4	A400324500	DECAL; OUTRIGGER, RELEASE	3	
5	A400324000	DECAL; WARNING, PARKING BRAKE/TIRE PRESSURE	1	
6	A400324600	DECAL; OUTRIGGER, PULL	3	
7	A400324700	DECAL; WARNING, OUTRIGGER DEPLOYMENT	1	
8	A400363401	DECAL; LIGHT CONTROL	1	
9	A400329000	DECAL; DIMMER SWITCH LEDS	1	
10	A400340800	DECAL; DANGER, BALLOON INFORMATION	1	
11	A400084300	DECAL; GROUND	1	
12	A400204801	DECAL; ELECTRIC SHOCK, HIGH VOLTAGE, BURN HAZ.	1	

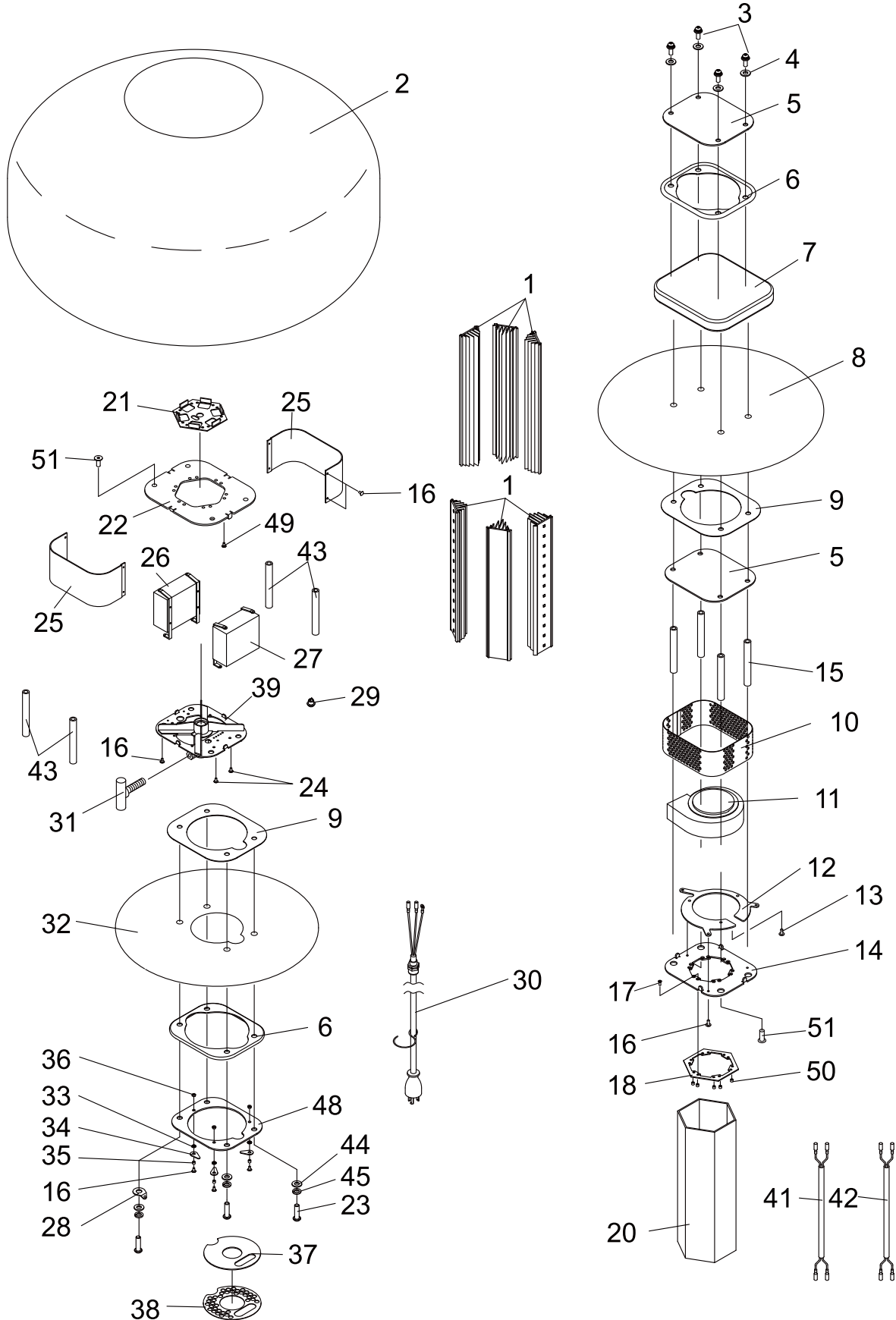
BALLOON AND LAMP ASSY



BALLOON AND LAMP ASSY

<u>NO.</u>	<u>PART NO.</u>	<u>PART NAME</u>	<u>QTY.</u>	<u>REMARKS</u>
1	A300282600	LED HEATSINK ASSY.	6	
2	A100108400	BALLOON, CLOTH	1	
3	0014708025	BUTTON SCREW, M8X25	4	
4	E000132100	SUS OPG BONDED WASHER	4	
5	A300257000	PLATE, TOP	2	
6	A300162400	SEAL, PACKING	2	
7	A100107700	BALLOON COVER, BLACK	1	
8	A100101200	SHEET, TOP	1	
9	2214500230	SEAL, FLAT	2	
10	A300274701	VESSEL, TOP	1	
11	A300280600	FAN MOTOR ASSY.	1	
12	A300281401	PLATE, FAN	1	
13	0023204006	SCREW, M4X6	3	
14	A300247701	PLATE, LAMP TOP	1	
15	A400317400	SPACER A	4	
16	0024304008	TRUSS SCREW, M4X8	15	
17	0023204012	COUNTERSUNK SCREW, M4X12	12	
18	A400295300	STOPPER, GUARD	1	
20	A300243602	GUARD, LED	1	
21	A300282500	ADAPTER, BOARD	1	
22	A300290400	PLATE, LAMP	1	
23	0014708035	BUTTON SCREW, M8X35	4	
24	0023203005	SCREW, M3X5	2	
25	A300291200	VESSEL	2	
26	A300269000	LED POWER SUPPLY, MASTER	1	
27	A300269100	LED POWER SUPPLY, SLAVE	1	
28	2204510110	WASHER	1	
29	A400329900	DIMMING SWITCH	1	
30	A300181901	POWER CABLE	1	
31	A400209801	BALLOON KNOB	1	
32	A100097600	SHEET, BOTTOM	1	
33	E000119300	WAVE WASHER, M6	3	
34	A400030700	STOPPER, FILTER	3	
35	E000077500	SPACER	3	
36	0033104000	NUT, M4	5	
37	A400273800	FILTER	1	
38	A300244600	PLATE, AIR	1	
39	A200105100	FLANGE, LED	1	

BALLOON AND LAMP ASSY



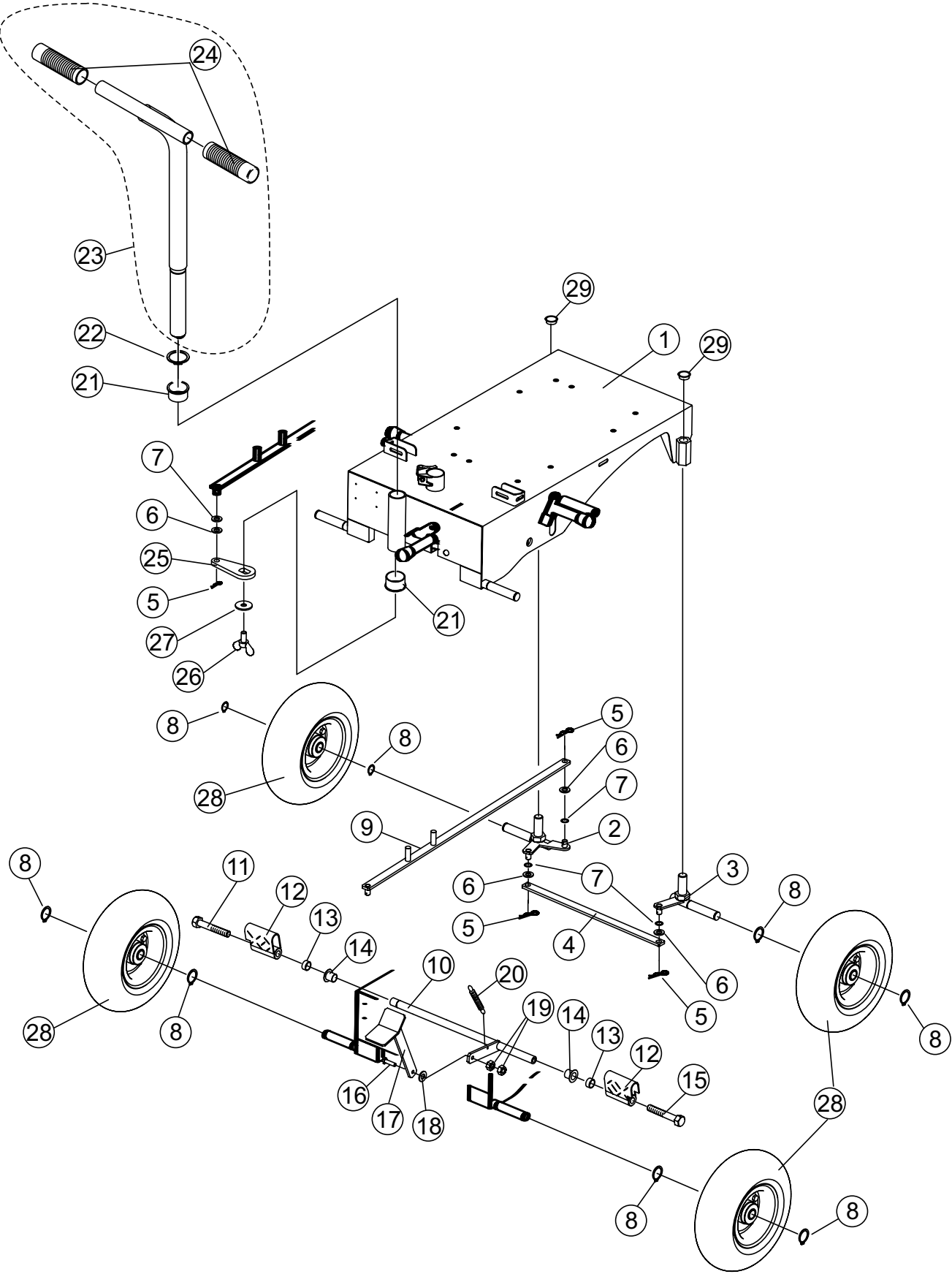
BALLOON AND LAMP ASSY

<u>NO.</u>	<u>PART NO.</u>	<u>PART NAME</u>	<u>QTY.</u>	<u>REMARKS</u>
41	A400305001	WIRE, FAN	1	
42	A400331100	WIRE, FAN (VC)	1	
43	A400311400	SPACER B	4	
44	0043108000	WASHER, M8	4	
45	030208200	WASHER, LOCK M8.....	4.....	REPLACES P/N 0043208000
48	A300256700	PLATE, BOTTOM	1	
49	0023304015	SCREW AND WASHER, M4X15	12	
50	E000122300	SPACER	12	
51	E000119600	BOLT, M8X20	8	

MAST ASSY

<u>NO.</u>	<u>PART NO.</u>	<u>PART NAME</u>	<u>QTY.</u>	<u>REMARKS</u>
1\$	A300175400	FIRST MAST	1	
2\$	A300175500	SECOND MAST	1	
3\$	A300175600	THIRD MAST	1	
4\$	A400199700	PLUG	1	
5\$	A400112700	LEAF VALVE	1	
6\$	0023104008	SCREW, M4X8	1	
7\$	0043104000	WASHER, M4	1	
8\$	0023105008	SCREW, M5X8	2	
9\$	0043105000	WASHER, M5	1	
10\$	A400187600	KNOB	1	
11\$	0013108020	BOLT, M8X20	1	
12\$	A400200500	WASHER	1	
13\$	A400110200	WASHER, MAST 1	2	
14\$	A400200700	RUBBER, MAST	1	
15\$	A400092801	WASHER, SECOND MAST	2	
16\$	A400200800	BOTTOM PLATE	1	
17\$	0024705008	SET SCREW, M5X8	6	
18\$	E000081200	O-RING	1	
19\$	A400202700	BOLT	1	
20\$	0043108000	WASHER, M8	1	
21\$	A400109600	RUBBER, MAST 1	1	
22\$	A400092402	BOTTOM PLATE 1	1	
23\$	A400200300	PIPE, LEVER	1	
24\$	A400200400	WASHER	1	
25\$	A400200201	LEVER, HOOK	1	
26\$	A400195700	SPRING, HOOK	1	
27	A000028700	MAST, ASSY.	1.....	INCLUDES ITEMS W/ \$

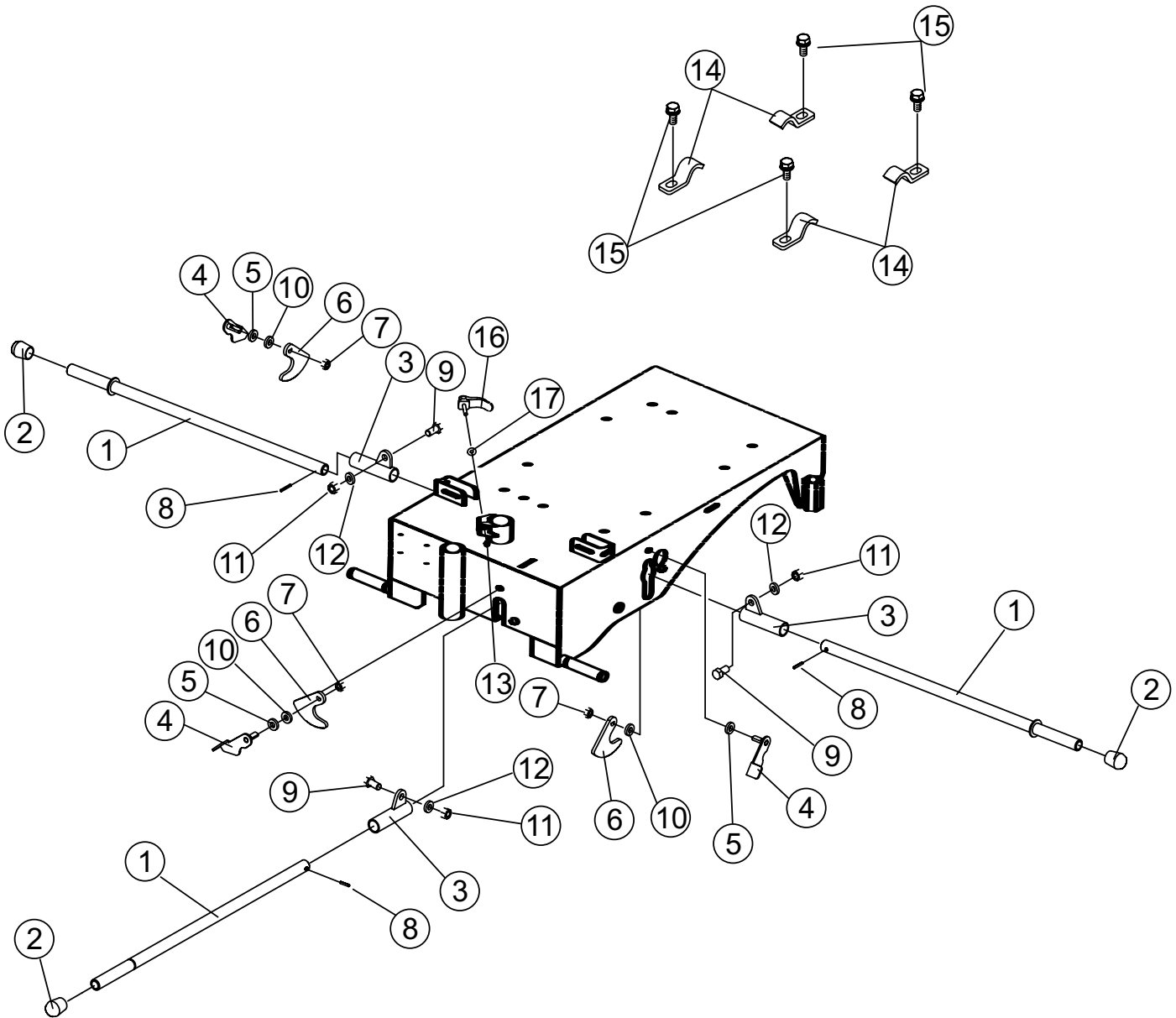
BASE ASSY



BASE ASSY

<u>NO.</u>	<u>PART NO.</u>	<u>PART NAME</u>	<u>QTY.</u>	<u>REMARKS</u>
1	A100064700	BASE PLATE	1	
2	A300147201	FRONT SHAFT, L	1	
3	A300147301	FRONT SHAFT, R	1	
4	A300056800	LINK, FRONT SHAFT	1	
5	0053512000	PIN, (12)	4	
6	0043112000	WASHER, M12	4	
7	1504120130	WASHER, 12.2DX18DX0.5T	4	
8	0040720000	SNAP RING, 20	8	
9	A300137101	STEERING LINK	1	
10	A300150900	BRAKE SHAFT	1	
11	1521120131	BOLT, M12X75 LEFT SCREW	1	
12	2071214010	BRAKE	2	
13	A400189601	SPACER, BRAKE	2	
14	1503180130	SLEEVE BEARING, 18DX20DX20	2	
15	0013212075	BOLT, M12X75	1	
16	011208030	BOLT, M8X30 SUS.....	1	REPLACES P/N 0010308030
17	2001200313	BRAKE PEDAL	1	
18	0043108000	WASHER, M8	1	
19	0033108000	NUT, M8	2	
20	1041000131	SPRING, BRAKE	1	
21	1503300130	SLEEVE BEARING, 30DX34DX20	2	
22	0040730000	SNAP RING	1	
23	A200023001	HANDLE	1	INCLUDES ITEMS W/ \$
24\$	1102700130	HANDLE GRIP	2	
25	A400176500	LINK, HANDLE	1	
26	0014212025	WING BOLT, M12X25	1	
27	0043112041	WASHER, 12DX40DX3.2T	1	
28	E000014500	TIRE ASSY., 4.10/3.50-5	4	
29	1652000430	CAP	2	

OUTRIGGER ASSY



OUTRIGGER ASSY

<u>NO.</u>	<u>PART NO.</u>	<u>PART NAME</u>	<u>QTY.</u>	<u>REMARKS</u>
1	A300162202	OUTRIGGER	3	
2	E000149500	RUBBER FOOT	3	REPLACES P/N 1641001430
3	A400175302	HOLDER, OUT, R	3	
4	A400176901	LEVER, OUT, R	3	
5	A400114401	WASHER	3	
6	A300147802	WEIGHT, OUT, R	3	
7	0033210000	SELF LOCK NUT, M10	3	
8	0053304025	SPRING PIN, M4x25	3	
9	0013112030	BOLT, M12x30	3	
10	0043110000	WASHER, M10	3	
11	0033212000	SELF LOCK NUT, M12	3	
12	0043112000	WASHER, M12	3	
13	0033206000	SELF LOCK NUT, M6	1	
14	A400166400	LOCKING CLAMP	4	
15	0013510025	BOLT AND WASHER, M10x25	4	
16	2212780310	LEVER	1	
17	0043108000	WASHER, M8	1	