

OWNERS MANUAL

Medium Concrete Saws



MODELS:

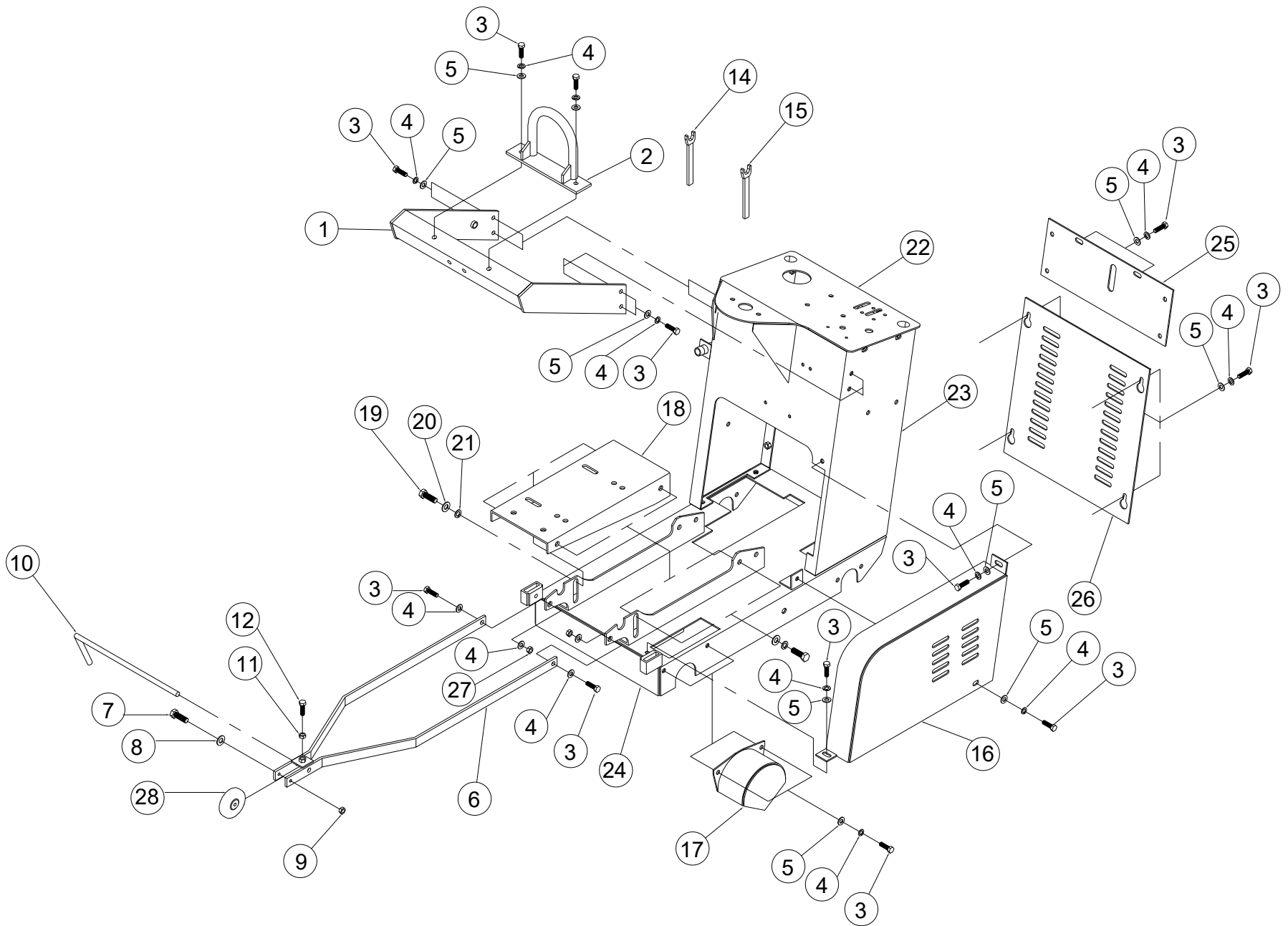
**C1316SS
C1320SS
C1420SS**

**C1316SM
C1320SM
C1420SM**

**C2016SS
C2020SS
C2024SS**

Common Replacement Parts:

UPC	Part No.	Description	Req	Type
70184632530	232036	BELT 3VX375 (4) (SET OF 4) 20HP 16", 20" and 24" ONLY	1	W
70184602472	238088	BELT 3VX335 (4) (SET OF 4) 13HP and 14HP 16" and 20" ONLY	1	W
70184673903	227156	NUT BLADE SHAFT 3/4-16 LH x 1" LONG (OPERATOR'S RIGHT SIDE)	1	S
70184674346	227191	NUT BLADE SHAFT 3/4-16 RH x 1" LONG (OPERATOR'S LEFT SIDE)	1	S
70184673904	227159	TIGHT COLLAR RIGHT SIDE (LEFT HAND THREADS)	1	S
70184674352	227190	TIGHT COLLAR LEFT SIDE (RIGHT HAND THREADS)	1	S
70184674082	227247	LOOSE COLLAR OUTER FLANGE (INCLUDES DRIVE PIN)	2	S
70184674556	227154	PIN DRIVE (GROOVED) 3/8X1	2	S
70184650306	106218	BEARING PIL BLK 1-1/4 2-B	2	W
70184626921	238005	WHEEL 6 X 2 X 3/4 W/ROLLER BEARING (REAR WHEEL SOLD EACH)	2	W
70184626920	238004	WHEEL 5 X 2 X 3/4 W/ROLLER BEARING (FRONT WHEEL SOLD EACH)	2	W
70184628053	238150	ROLLER (1)	2	W
70184650406	210071	BEARING FLANGE 3/4 B	2	W
70184628071	238212	WRENCH OPEN END 1-1/4	1	S
70184628074	238213	WRENCH OPEN END 1-1/2	1	S



C13xx and C20xx Frame Common

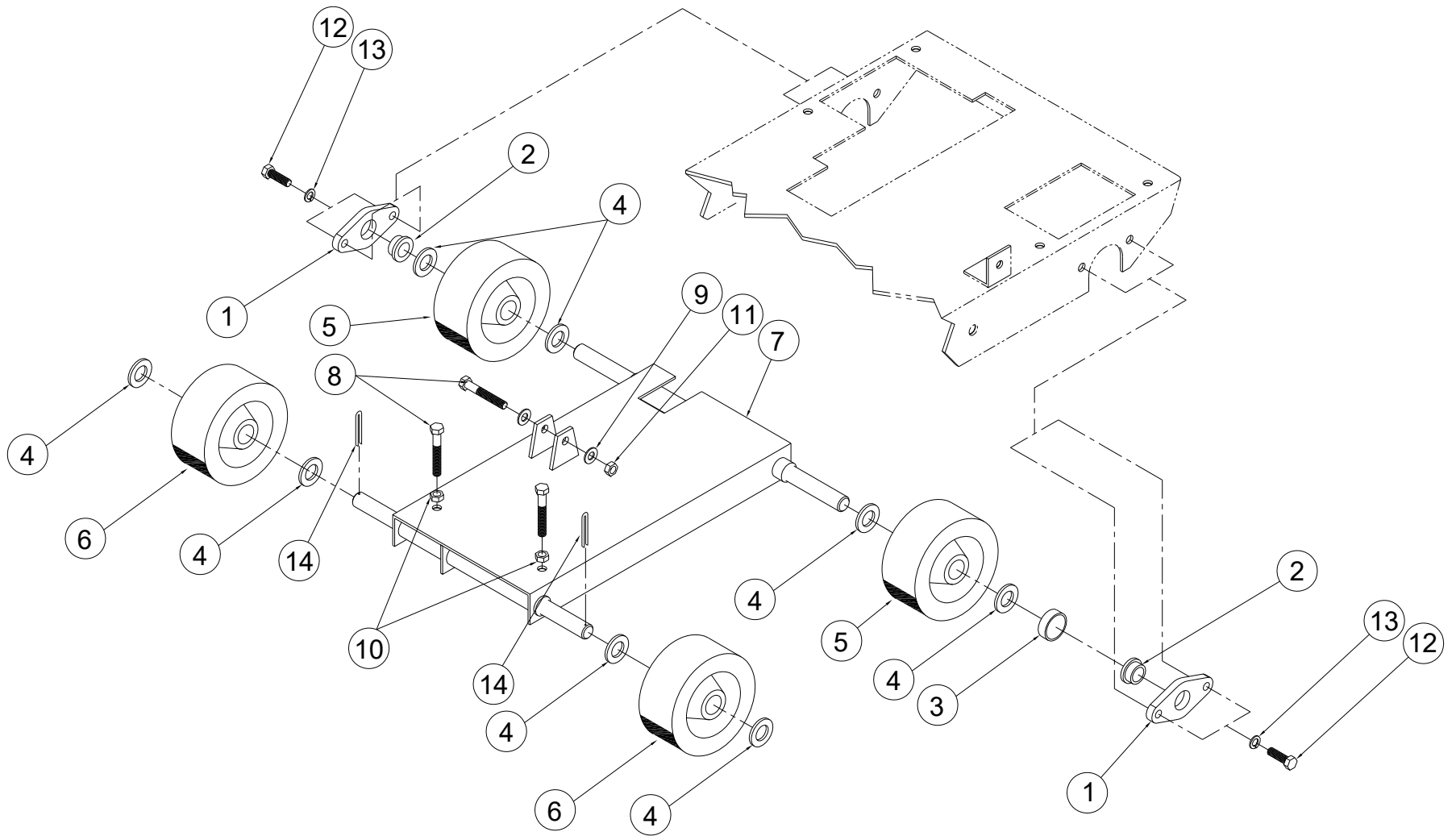
C13xxx and C20xx Frame Common

POS	UPC	Part No.	Description	Req	Type
1	70184628065	238171	LIFT FRAME	1	S
2	70184628066	238175	LIFT FRAME HOOK	1	S
3	70184649901	8041051	SCR 3/8-16 X 1 1/4 HEX HD CAP	23	S
4	70184650149	8177012	WASHER 3/8 SPRING LOCK	23	S
5	70184650123	8172009	WASHER 3/8 SAE	23	S
6	70184628067	238177	FRONT POINTER FRAME	1	S
7	TBA	8041034	SCR 5/16-18 X 2 1/2	1	S
8	70184650121	8172008	WASHER 5/16 SAE	1	S
9	70184650372	8160002	NUT 5/16-18 HEX LOCK	1	S
10	70184628068	238168	POINTER ROD	1	S
11	70184650349	8142003	NUT 3/8-16 HEX	1	S
12	70184649902	8041052	SCR 3/8-16 X 1 1/2 HEX HD CAP	1	S
-NA-	70184628070	238211	ROPE 1/4"ODX16'-3/8"	1	S
14	70184628071	238212	WRENCH OPEN END 1-1/4	1	S
15	70184628074	238213	WRENCH OPEN END 1-1/2	1	S
16	70184628069	238135	GUARD BELT	1	S
17	70184628075	238136	SHAFT GUARD	1	S
18	70184628076	238119	ENGINE BASE	1	S
		238083	ENGINE BASE C2024SS Models ONLY	1	S
19	70184649920	8041096	SCR 1/2-13 X 1 1/2 HEX HD CAP	4	S
20	70184650154	8177014	WASHER 1/2 SPRING LOCK	4	S
21	70184650154	8177014	WASHER 1/2 SAE	4	S
22	70184628077	238115	CONSOLE TOP WELD	1	S
23	70184628078	238114	CONSOLE WELDMENT	1	S
24	70184628079	238101	FRAME C20xx/C13xx/PC20xx	1	S
25	70184628080	238140	CONSOLE TOP REAR COVER	1	S
26	70184628081	238141	CONSOLE REAR COVER	1	S
27	70184650373	8160003	NUT 3/8-16 HEX LOCK	2	S
28	70184630652	238215	WHEEL 3" X 1" X 5/16"	1	W

Type: S = Service Part, W = Wear Part, All Parts Are Sold as Individual (each) Unless Noted Otherwise

TBA = Contact Customer Service for UPC Number

Order by UPC Number



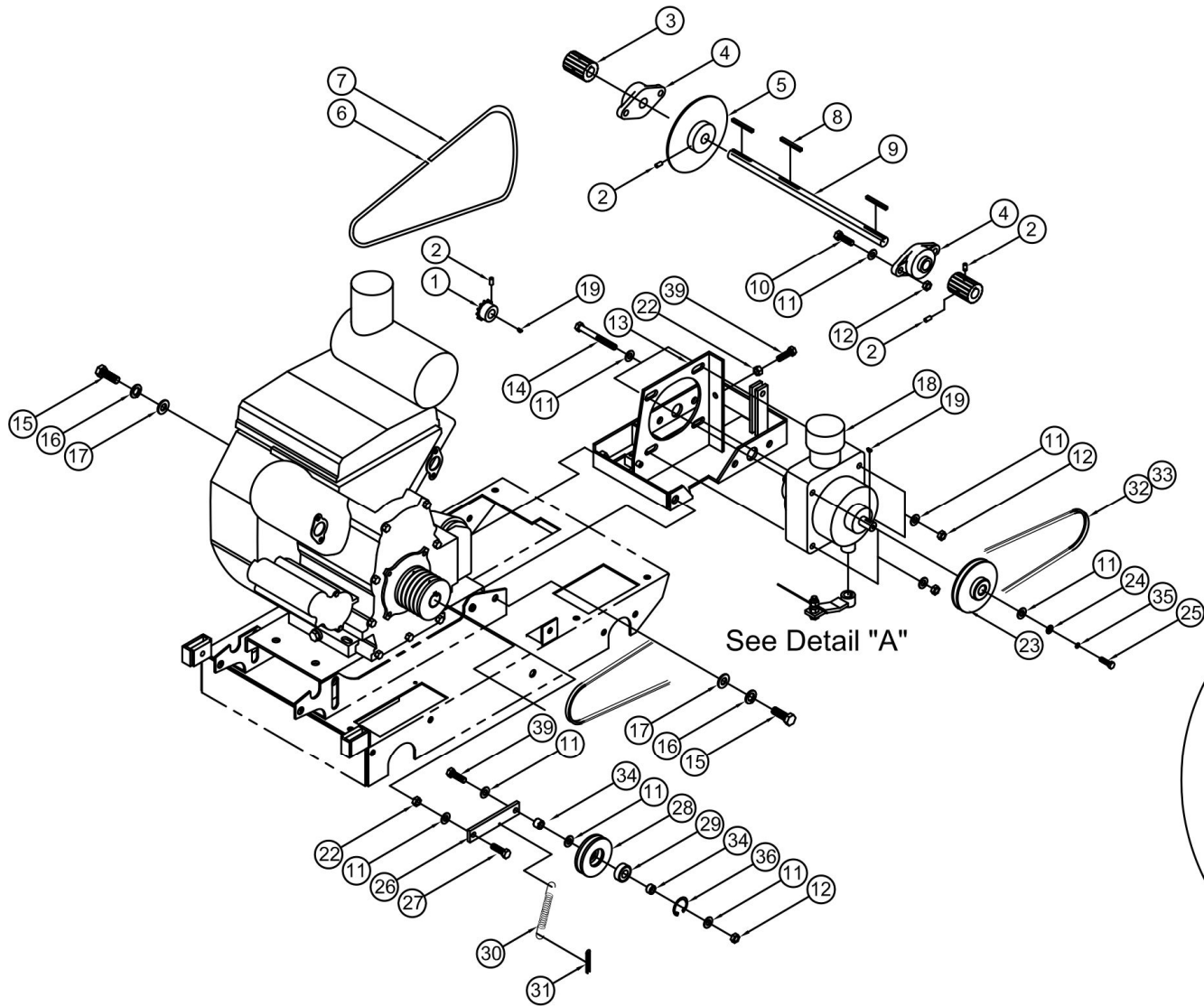
C13xxx and C20xx Raise Axle

C13xx and C20xx Raise Axle

POS	UPC	Part No.	Description	Req	Type
1	70184628082	238134	RAISE AXLE MOUNT	2	S
2	70184628085	238129	REAR AXLE BUSHING	2	W
3	70184628272	238124	REAR WHEEL SPACER	2	S
4	70184650129	8172015	WASHER 3/4 SAE	8	S
5	70184626921	238005	WHEEL 6 X 2 X 3/4 W/ROLLER BEARING (REAR WHEEL SOLD EACH)	2	W
6	70184626920	238004	WHEEL 5 X 2 X 3/4 W/ROLLER BEARING (FRONT WHEEL SOLD EACH)	2	W
7	70184628083	238126	RAISE AXLE WELDMENT	1	S
8	70184649906	8041056	SCR 3/8-16 X 2 1/2 HEX HD CAP	3	S
9	70184650123	8172009	WASHER 3/8 SAE	1	S
10	70184650349	8142003	NUT 3/8-16 HEX	12	S
11	70184650373	8160003	NUT 3/8-16 HEX LOCK	1	S
12	70184649901	8041051	SCR 3/8-16 X 1 1/4 HEX HD CAP	4	S
13	70184650149	8177012	WASHER 3/8 SPRING LOCK	4	S
14	70184674553	227146	Pin Cotter 1/8" X 1-1/2"	2	S

Type: S = Service Part, W = Wear Part, All Parts Are Sold as Individual (each) Unless Noted Otherwise
TBA = Contact Customer Service for UPC Number

Order by UPC Number



C13xxx and C20xx Transmission

C13xxx and C20xx Transmission

POS	UPC	Part No.	Description	Req	Type
1	70184678170	229144	SPROCKET 35B12 X 17mm	1	W
2	70184682129	407035	SCR 1/4-20 X 1/4 SET CUP	6	S
3	70184628053	238150	ROLLER (1)	2	W
4	70184650406	210071	BEARING FLANGE 3/4 B	2	W
5	70184628054	238152	SPROCKET 35B48 X 34 B	1	W
6	70184600718	238145	MASTER LINK	1	W
7	70184600717	238146	CHAIN # 35	1	W
8	70184642155	9201086	KEY 3/16 X 2	3	S
9	70184628055	238155	TRANSMISSION JACKSHAFT	1	S
10	70184649901	8041051	SCR 3/8-16 X 1 1/4 HEX HD CAP	4	S
11	70184650123	8172009	WASHER 3/8 SAE	18	S
12	70184650373	8160003	NUT 3/8-16 HEX LOCK	11	S
13	70184628056	238149	TRANSMISSION MOUNT	1	S
14	70184694497	246395	SCR 3/8-16 X 3 1/2 HEX HD CAP (Pack of 10)	4	S
15	70184649920	8041096	SCR 1/2-13 X 1 1/2 HEX HD CAP	4	S
16	70184650154	8177014	WASHER 1/2 SPRING LOCK	4	S
17	70184650124	8172011	WASHER 1/2 SAE	4	S
18	70184654757	106344	TRANSMISSION M6	1	S
-NA-	70184677302	106344A	RESERVOIR CAP MODEL 6 TRANS	1	S
-NA-	70184677303	106344B	RESERVOIR MODEL 6 TRANS.	1	S
19	70184649715	9203009	# 3 WOODRUFF KEY	3	S
20	70184628057	238154	TRANSMISSION CONTROL LEVER	1	S
21	70184650149	8177012	WASHER 3/8 SPRING LOCK	1	S
22	70184650149	8142003	NUT 3/8-16 HEX	3	S
23	70184628062	238151	PULLEY 4 O.D. X 17mm 1G 3VX	1	S
24	70184650120	8172007	WASHER 1/4 SAE	1	S
25	TBA	8041007	SCR 1/4-20 X 3/4 HEX HD CAP	1	S
26	70184628063	238131	IDLER ARM	1	S
27	70184649902	8041052	SCR 3/8-16 X 1 1/2 HEX HD CAP	1	S
28	70184628064	238006	PULLEY 3 O.D. X 7/8 1G 3VX	1	S
29	70184626732	237408	BEARING 99R10	1	W
30	70184628270	238221	SPRING 2 1/2	1	W
31	70184674553	227146	PIN 1/8 X 1 1/2 COTTER	1	S
32	70184660669	109799	BELT 3VX425(1) FOR 20 HP ONLY	1	W

Type: S = Service Part, W = Wear Part, All Parts Are Sold as Individual (each) Unless Noted Otherwise

TBA = Contact Customer Service for UPC Number. **Order by UPC Number**

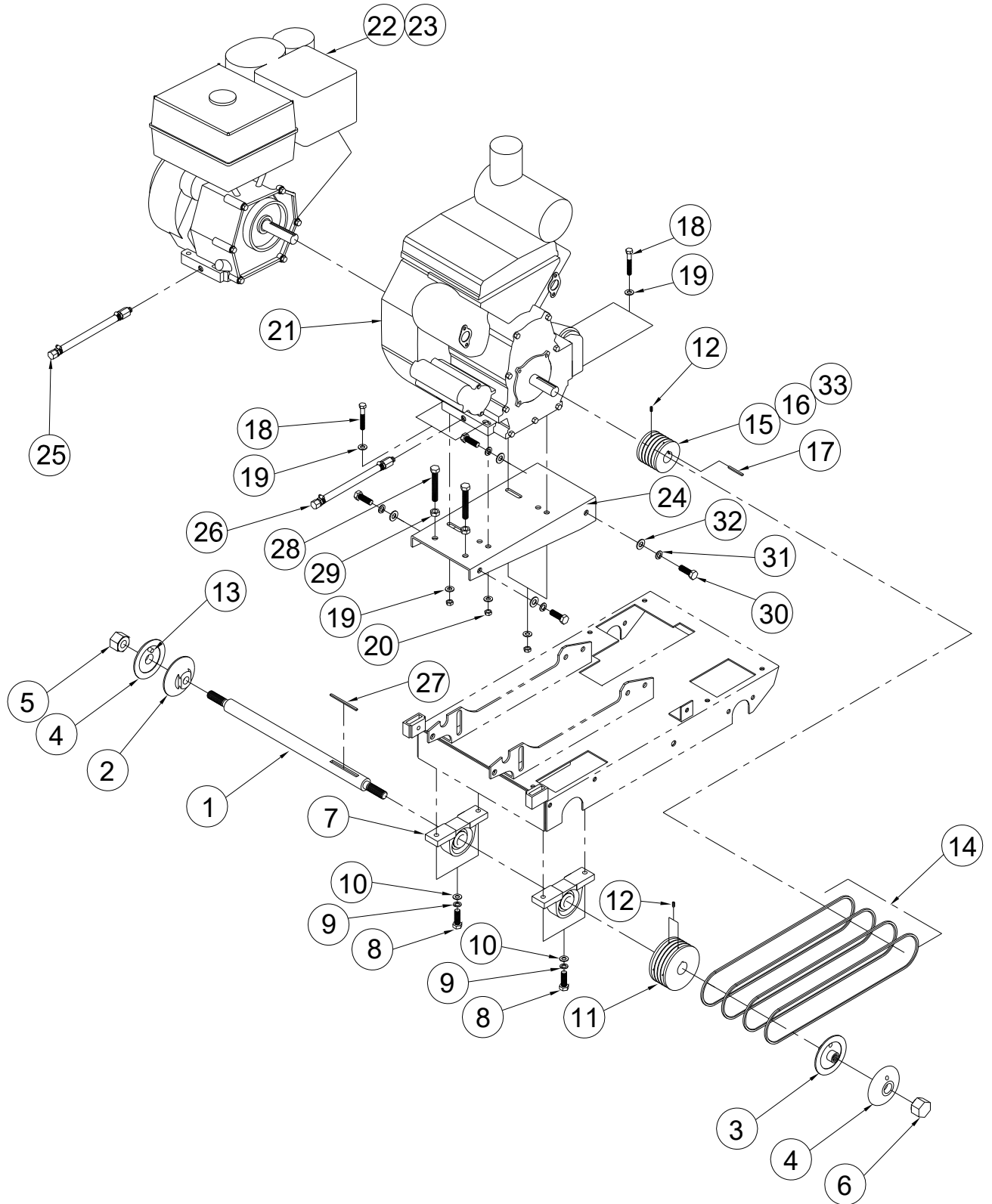
C13xxx and C20xx Transmission

POS	UPC	Part No.	Description	Req	Type
33	70184660324	109769	BELT 3VX450(1) FOR 13 HP ONLY	1	W
34	70184693853	238236	BUSHING SPACER	2	S
35	70184650144	8177010	WASHER 1/4 SPRING LOCK	1	S
36	70184694045	237388	INTERNAL RETAINING RING 1 5/16"	1	S
37	TBA	238258	CONTROL LEVER PIN	1	S
38	70184645806	232387	TRANSMISSION CONTROL	1	S
39	70184649904	8041054	SCR 3/8-16 X 2 HEX HD CAP	2	S

Type: S = Service Part, W = Wear Part, All Parts Are Sold as Individual (each) Unless Noted Otherwise
TBA = Contact Customer Service for UPC Number

Order by UPC Number

C13xxx and C20xx Blade Shaft & Engine Group



C13xxx and C20xx Blade Shaft & Engine Group

POS	UPC	Part No.	Description	Req	Type
1	70184628084	238179	BLADE SHAFT	1	S
2	70184673904	227159	TIGHT COLLAR RIGHT SIDE (LEFT HAND THREADS)	1	S
3	70184674352	227190	TIGHT COLLAR LEFT SIDE (RIGHT HAND THREADS)	1	S
4	70184674082	227247	LOOSE COLLAR OUTER FLANGE (INCLUDES DRIVE PIN)	2	S
5	70184673903	227156	NUT BLADE SHAFT 3/4-16 LH (OP RIGHT SIDE)	1	S
6	70184674346	227191	NUT BLADE SHAFT 3/4-16 RH (OP LEFT SIDE)	1	S
7	70184650306	106218	BEARING PIL BLK 1-1/4 2-B	2	W
8	70184649919	8041095	SCR 1/2-13 X 1 1/4 HEX HD CAP	4	S
9	70184650154	8177014	WASHER 1/2 SPRING LOCK	4	S
10	70184650124	8172011	WASHER 1/2 SAE	4	S
11	70184628173	238015	PULLEY 4.5OD X 1.125B 4G 3VX	1	S
12	70184682130	407036	1/4-20 X 3/8 SOCKET SET SCREW	4	S
13	70184674556	227154	PIN DRIVE (GROOVED) 3/8X1	2	S
14	70184632530	232036	BELT 3VX375 (4) (SET OF 4) 20HP 16", 20" and 24" (C2016SS, C2020SS, & C2024SS ONLY)	1	W
14	70184602472	238088	BELT 3VX335 (4) (SET OF 4) 13HP and 14HP 16" and 20" (ALL 13HP Honda and 14HP Kohler models)	1	W
15	70184628174	238013	Pulley 3.15 OD x 1.00 ID 5G 3VX (13HP Only)	1	S
16	70184628176	238011	Pulley 3.15 OD x 1.125 ID 5G 3VX (20HP 16" & 20")	1	S
17	70184649710	9201125	KEY 1/4 X 2 1/2	1	S
18	70184649904	8041054	SCR 3/8-16 X 2 HEX HD CAP	4	S
19	70184650123	8172009	WASHER 3/8 SAE	8	S
20	70184650373	8160003	NUT 3/8-16 HEX LOCK	4	S
21	70184643693	232369	ENGINE 20 HP (GX630TXF2)	1	S
22	70184623818	084044	ENGINE 13 HP ELECTRIC ST (GX390UT1QAE2)	1	S
23	70184671620	123327	ENGINE 13 HP MANUAL ST (GX390K1QXC9)	1	S
24	70184628076	238119	ENGINE BASE C13xxSS, C13xxSM, C2020SS, and C2020SS Models	1	S
		238083	ENGINE BASE C2024SS Models ONLY	1	S
-NA-	TBA	-NA-	Air Filter Donaldson P812575 20HP ONLY	1	W
-NA-	TBA	-NA-	Oil Filter Honda 15400-PLM-A01PE 20HP ONLY	1	W
25	70184628179	238057	OIL DRAIN HOSE ASSY 13HP	1	S
26	70184628180	238058	OIL DRAIN HOSE ASSY 20HP	1	S
27	70184649709	9201123	KEY 1/4 X 2-1/4	1	S

Type: S = Service Part, W = Wear Part, All Parts Are Sold as Individual (each) Unless Noted Otherwise
TBA = Contact Customer Service for UPC Number

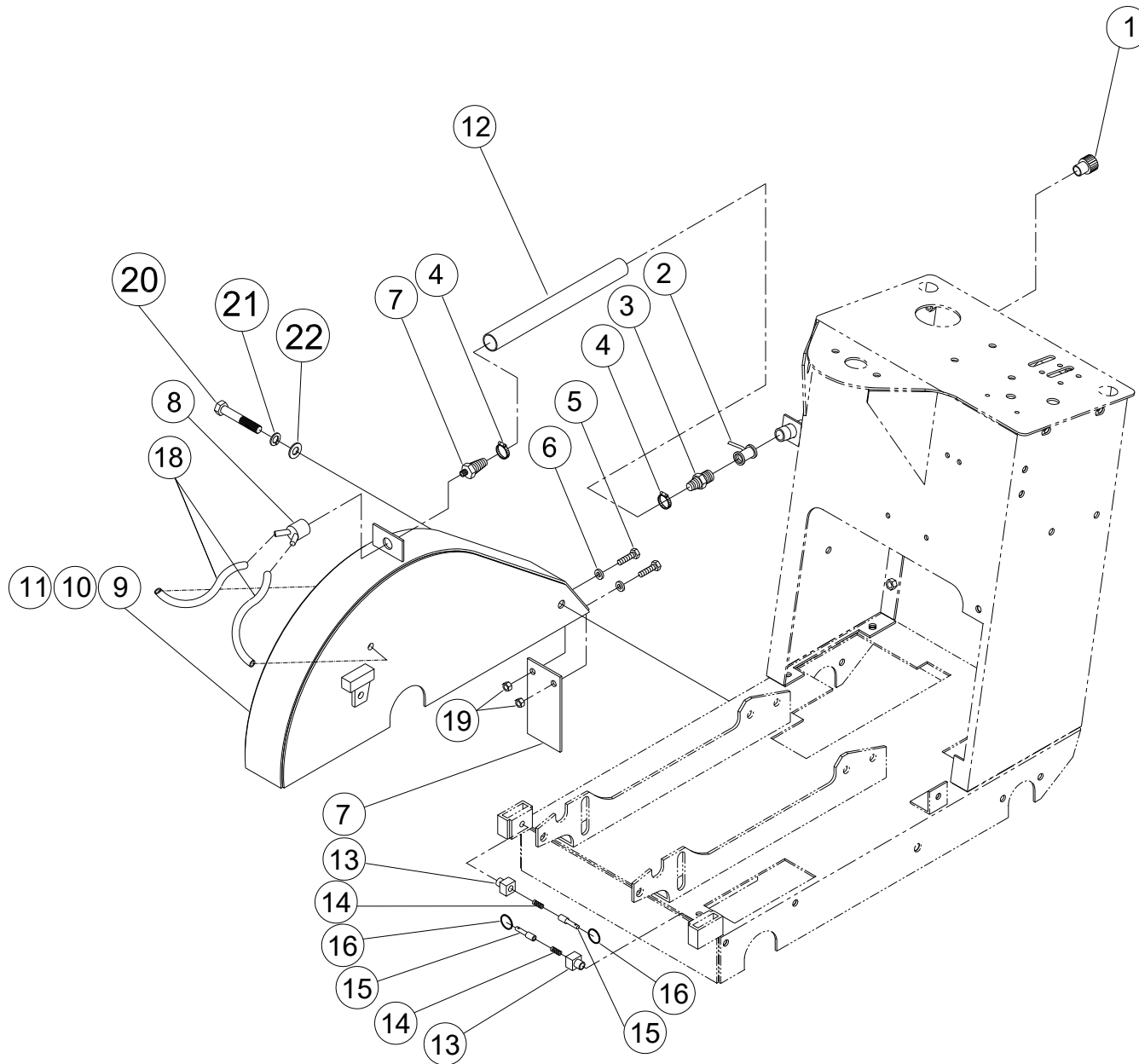
Order by UPC Number

C13xxx and C20xx Blade Shaft & Engine Group

POS	UPC	Part No.	Description	Req	Type
28	70184678162	229133	SCR 1/2-13 X 4 FULL THREAD HEX HEAD CAP	2	
29	70184650358	8143005	NUT 1/2-13 JAM	2	S
30	70184649920	8041096	SCR 1/2-13 x 1-1/2 HEX HEAD CAP	4	S
31	70184650154	8177014	WASHER 1/2 SPRING LOCK	4	S
32	70184650124	8172011	WASHER 1/2 SAE	4	S
33	70184628177	238012	Pulley 2.65 OD x 1.125 ID 5G 3VX (20HP 24")	1	S
-NA-	70184643694	232370	MUFFLER 20HP HONDA	1	S

Type: S = Service Part, W = Wear Part, All Parts Are Sold as Individual (each) Unless Noted Otherwise
TBA = Contact Customer Service for UPC Number

Order by UPC Number



C13xxx and C20xx Blade Guard and Water System Group

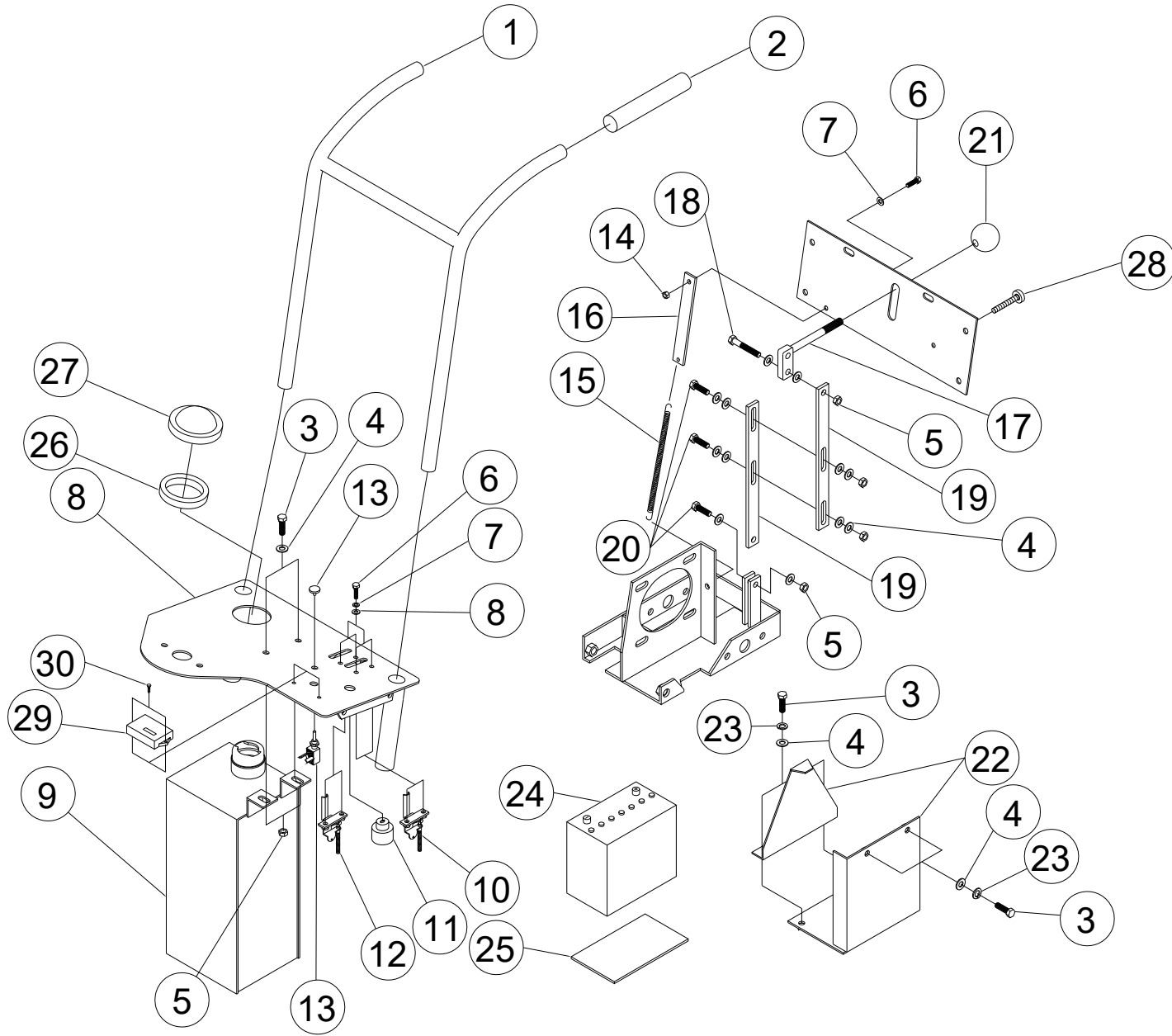
C13xx and C20xx Blade Guard and Water System Group

POS	UPC	Part No.	Description	Req	Type
1	70184659115	N1D0082	HOSE SWIVEL	1	W
2	70184659097	N1C0021	WATER VALVE 1/2"	1	W
3	70184626501	9602012	HOSE BARB 1/2" x 1/2"MPT	1	S
4	70184659232	N1C0113	HOSE CLAMP	2	S
5	70184649879	8041006	SCR 1/4-20 X 1 HEX HD CAP	2	S
6	70184650120	8172007	WASHER 1/4 SAE	2	S
7	70184650465	9600014	FIT BARB HOSE 1/4MPTX1/2	2	S
8	70184648715	72286	"Y" FITTING x 1/4FPT	1	W
9	70184628495	238144	BLADE GUARD 16" (BLADE GUARD ONLY)	1	S
10	70184628496	238142	BLADE GUARD 20" (BLADE GUARD ONLY)	1	S
11	70184628497	238143	BLADE GUARD 24" (BLADE GUARD ONLY)	1	S
12	70184683507	0042521	TUBE 1/2ID X 3/4OD 48"LNG (USE 36")	1	W
13	70184628498	238225	GUARD LOCK	2	S
14	70184628499	238224	SPRING GUARD LOCK	2	S
15	70184628500	238222	PIN GUARD LOCK	2	S
16	70184628501	238223	RING GUARD LOCK	2	S
17	70184650371	8160001	NUT 1/4-20 HEX LOCK	2	S
18	70184681299	82998	NOZZEL WATER (2) (Set of Two (2) Nozzles)	1	W
19	70184628185	238137	SPLASH GUARD (FLAP OR MUD FLAP) ONLY	1	W
20	70184649929	8041107	SCR 1/2-13 UNC x 4-1/2 HEX HEAD CAP	1	S
21	70184650154	8177014	WASHER 1/2 SPRING LOCK	2	S
22	70184650124	8172011	WASHER 1/2 SAE	2	S

Type: S = Service Part, W = Wear Part, All Parts Are Sold as Individual (each) Unless Noted Otherwise
TBA = Contact Customer Service for UPC Number

Order by UPC Number

C13xxx and C20xx Controls and Console Group



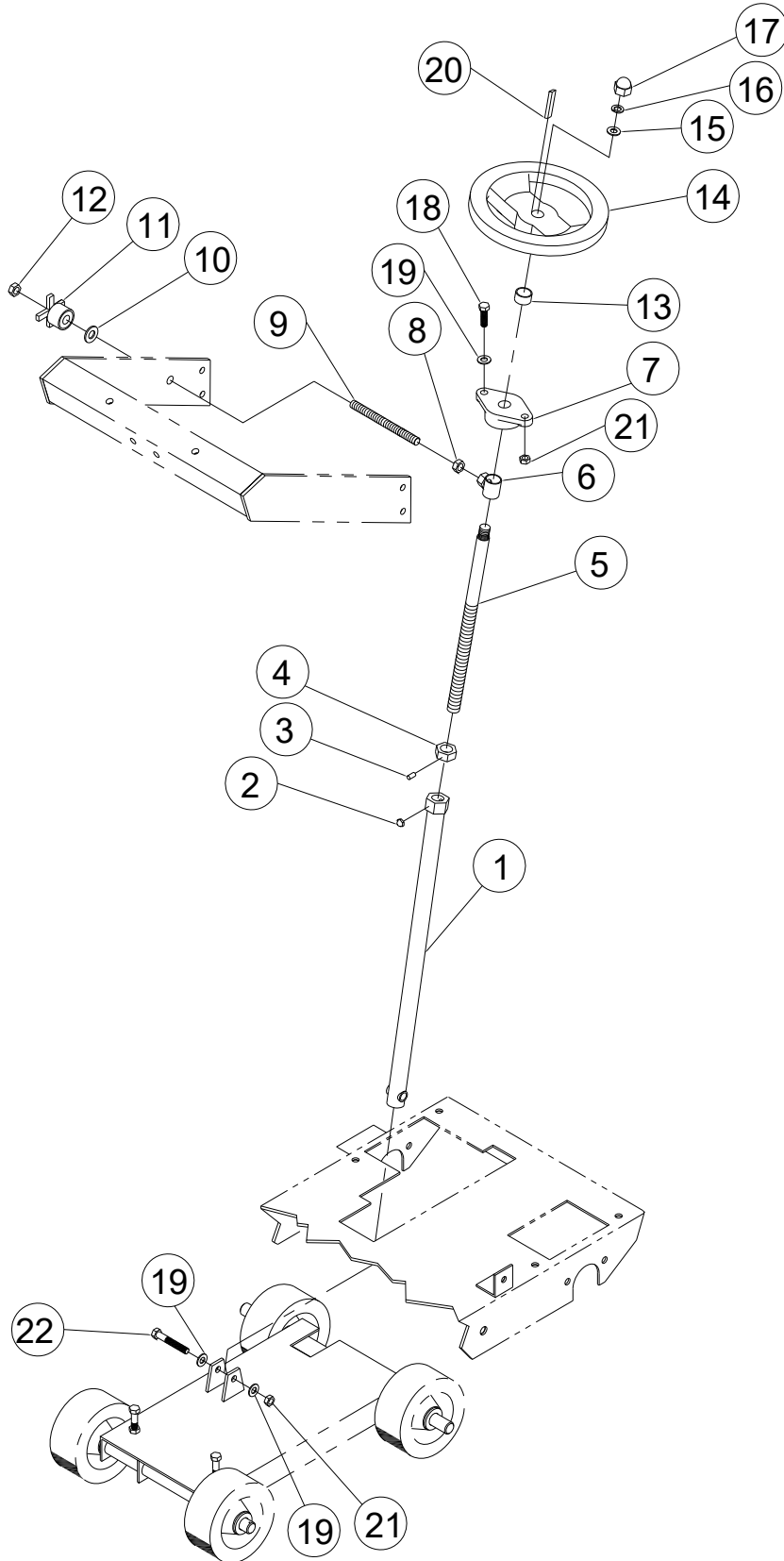
C13xx and C20xx Controls and Console Group

POS	UPC	Part No.	Description	Req	Type
1	70184627887	238120	HANDLE BAR	1	S
2	70184674393	227101	HANDLE BAR GRIP	2	W
3	70184649901	8041051	SCR 3/8-16 X 1 1/4 HEX HD CAP	4	S
4	70184650123	8172009	WASHER 3/8 SAE ZN PLT	4	S
5	70184650373	8160003	NUT 3/8-16 HEX LOCK	6	S
6	70184649879	8041006	SCR 1/4-20 X 1 HEX HD CAP	5	S
7	70184650144	8177010	WASHER 1/4 SPRING LOCK	5	S
8	70184650120	8172007	WASHER 1/4 SAE	5	S
9	70184628186	238130	FUEL TANK (20HP ONLY)	1	S
10	70184645807	232388	THROTTLE CABLE (ALL Honda models Only)	1	W
	70184632425	232468	THROTTLE CONTROL 52-1/2" C1420SS (Kohler)	1	W
11	70184647993	232429	IGNITION SWITCH HONDA 20HP GX630	1	W
11	70184674394	227115	SWITCH IGNITION 13HP HONDA (13HP MAN.)	1	W
11	70184680903	229216A	SWITCH IGNITION 13HP ES HONDA (13HP EL)	1	W
12	70184645806	232387	TRANSMISSION CONTROL 31"	1	W
13	70184628277	238229	EMERGENCY KILL SWITCH 20HP HONDA ONLY	1	W
	70184602385	247307	EMERGENCY KILL SWITCH 13HP HONDA ONLY	1	S
14	70184650371	8160001	NUT 1/4-20 HEX LOCK	1	S
15	70184628278	238203	SPRING 8"	1	W
16	70184628447	238204	TRANSMISSION SPRING BAR	1	S
17	70184628448	238157	ENGAGEMENT LEVER	1	S
18	70184649904	8041054	SCR 3/8-16 X 2 HEX HD CAP		S
19	70184628449	238156	TRANSMISSION ENGAGE LEVER	2	S
20	70184649902	8041052	SCR 3/8-16 X 1 1/2 HEX HD CAP	1	S
21	70184628279	238202	BALL KNOB	1	S
22	70184628187	238160	BATTERY TRAY (ELECTRIC START ONLY)	1	S
23	70184650149	8177012	WASHER 3/8 SPRING LOCK	6	S
24	-NA-	-NA-	BATTERY CB-16 (SOURCE LOCALLY)	1	W
25	70184628280	238331	BATTERY MOUNT PAD (ELECTRIC START)	1	S
26	70184659182	N1C0016	FUEL TANK GROMMET (20HP ONLY)	1	S
27	70184626971	238009	FUEL TANK CAP 20HP ONLY	1	S
28	70184628450	238209	CHOKE CABLE (20HP ONLY)	1	W
29	70184682239	232080	TACHOMETER	1	W
30	70184627236	8042007	SCR No. 10-24 X 1 SOCKET HD	2	S

Type: S = Service Part, W = Wear Part, All Parts Are Sold as Individual (each) Unless Noted Otherwise

TBA = Contact Customer Service for UPC Number **Order by UPC Number**

C13xxx and C20xx Depth Adjustment Group



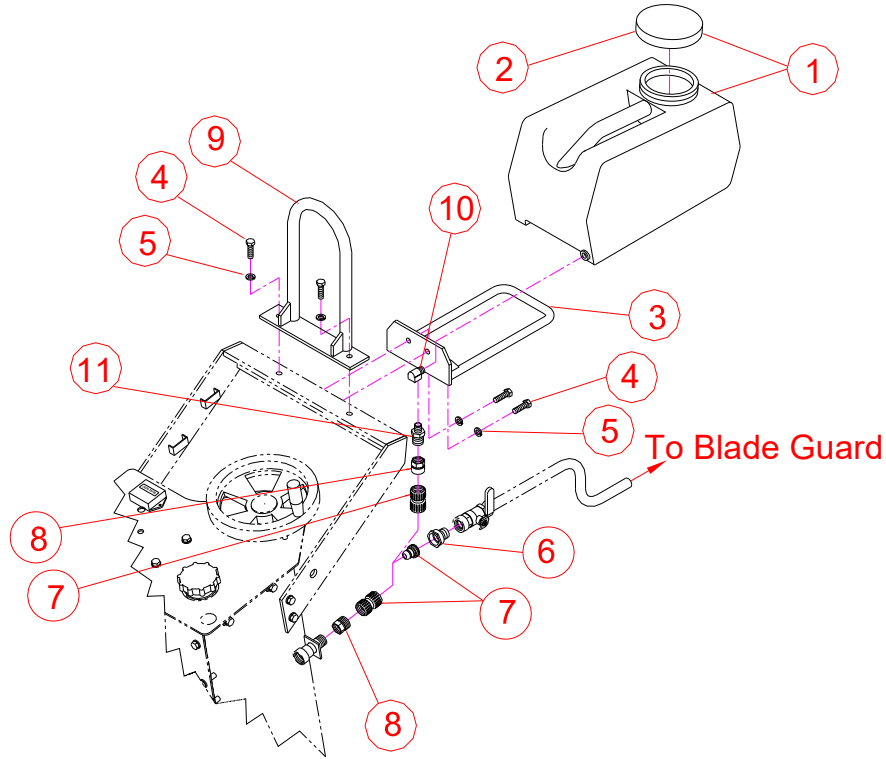
C13xxx and C20xx Depth Adjustment Group

POS	UPC	Part No.	Description	Req	Type
1	70184628181	238164	DEPTH SCREW TUBE	1	S
2	70184628182	238234	GREASE ZERK 1/8 x 11/16	1	S
3	70184682129	407035	SCR 1/4-20 X 1/4 SET CUP	1	S
4	70184628265	238163	NUT 3/4-10 HEX HEAD	1	S
5	70184628183	238165	RAISE SCREW	1	S
6	70184628274	238166	DEPTH STOP BUSHING	1	S
7	70184650406	210071	BEARING FLANGE 3/4 B	1	W
8	70184650358	8143005	NUT 1/2-13 HEX HEAD	1	S
9	70184628501	238223	DEPTH STOP ROD 1/2-13 X 7"	1	S
10	70184650154	8177014	WASHER 1/2 SAE	1	S
11	70184659262	N1C0078	DEPTH STOP HANDLE	1	S
12	70184650375	8160005	NUT 1/2-13 HEX LOCK	1	S
13	70184628276	238167	HAND-WHEEL SPACER	1	S
14	70184628444	238169	HAND-WHEEL	1	S
15	70184650127	8172013	WASHER 5/8 SAE	1	S
16	70184650156	8177016	WASHER 5/8 SPRING LOCK	1	S
17	70184628184	238235	ACORN NUT 5/8-11	1	S
18	70184649902	8041052	SCR 3/8-16 X 1 1/2 HEX HD CAP	2	S
19	70184650123	8172009	WASHER 3/8 SAE ZN PLT	4	S
20	70184662750	9201080	KEY 3/16 X 1 1/4	1	S
21	70184650149	8177012	WASHER 3/8 SPRING LOCK	4	S
22	70184649906	8041056	SCR 3/8-16 X 2 1/2 HEX HD CAP	1	S

Type: S = Service Part, W = Wear Part, All Parts Are Sold as Individual (each) Unless Noted Otherwise

TBA = Contact Customer Service for UPC Number **Order by UPC Number**

C13xxx and C20xx Optional Water Tank Group



POS	UPC	Part No.	Description	Req	Type
-NA-	70184628014	238001	WATER TANK KIT (Includes POS 1, and 3 to 12)	1	S
1	00310486962	00310486962	WATER TANK W/CAP	1	W
2	00310006560	82794	CAP FOR WATER TANK	1	S
3	70184628015	238174	BRACKET FOR WATER TANK	1	S
4	70184649901	8041051	SCR 3/8-16 UNC x 1-1/4 HEX HEAD CAP	4	S
5	70184650149	8177012	WASHER 3/8 SPRING LOCK	4	S
6	70184628018	238065	REDUCER FIT 3/4FGH x 1/2MPT	1	S
7	70184628019	238066	COUPLER QUICK DETACH (Includes Male & Female QD Couplers)	2	S
8	70184628020	238067	REDUCER FIT 3/4MGH x 1/2FPT	2	S
9	70184628016	238173	LIFTING HOOK FOR WATER TANK C13xx/C20xx	1	S
10	70184682454	83218	REDUCING BUSHING 1/2MPT X 1/4MPT	1	S
11	70184650452	9499001	ELBOW 1/4MPT x 1/4FPT STREET BRASS	1	S

Type: S = Service Part, W = Wear Part, All Parts Are Sold as Individual (each) Unless Noted Otherwise
TBA = Contact Customer Service for UPC Number

Order by UPC Number

NOTE: 238001 Water Tank Kit Includes: 83357 (Water Tank with Cap), 238174 (Bracket for Water Tank), 238173 (Lifting Hook for Water Tank), 238065 (Reducer Fitting 3/7 FGH x 1/2MPT), 238066 (Coupler Quick Detach Male & Female Kit), 238067 (Reducer Fitting 3/4 MGH x 1/2 FPT), 83218 (Reducing Bushing 1/2 MPT x 1/4 MPT), 8041051 (x4) (Screw 3/8-16 x 1-1/4 Hex Head Cap), 8177012 (x4) (Washer 3/8 Spring Lock), and 9499001 Elbow 1/4MPT x 1/4FPT Street Brass