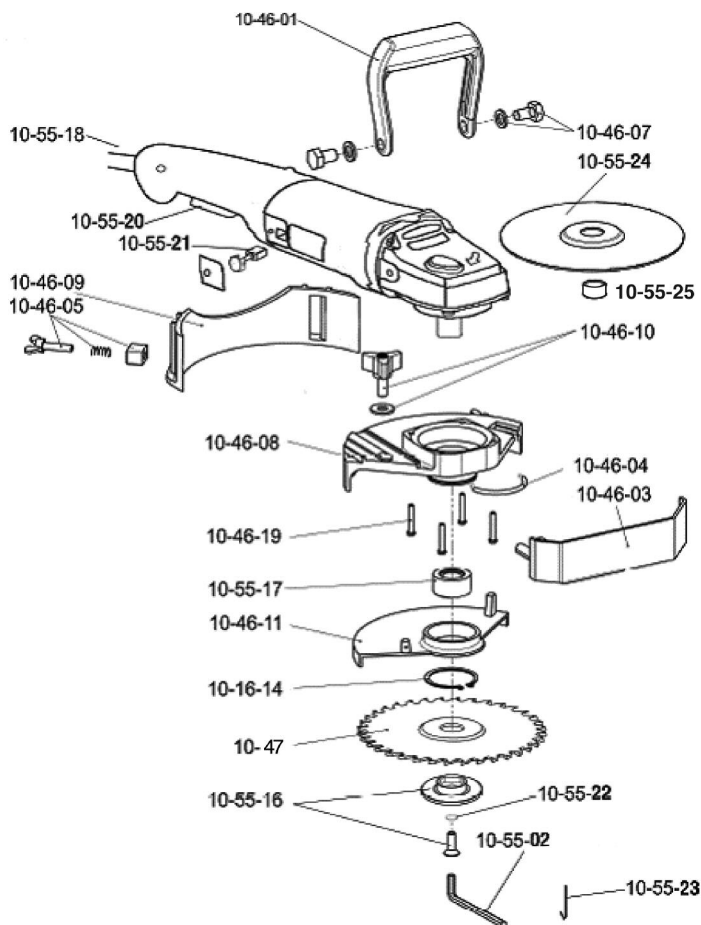


ROBERTS 10-55 LONGNECK 6" JAMB SAW



REPLACEMENT PARTS LIST

Part	Description	Part	Description
10-46-01	Handle	10-46-14	Snap Ring
10-55-02	Allen® Wrench	10-55-16	Blade Clamp / Blade Screw
10-46-03	Depth Gauge	10-55-17	Arbor Spacer
10-46-04	Return Spring (3 pack)	10-55-18	Motor Unit
10-46-05	Screws, Spacers, Spring (2 pack)	10-46-19	Mounting Screws (4 pack)
10-46-07	Handle Bolt & Lock Washer	10-55-20	Replacement Switch
10-46-08	Mounting Body	10-55-21	Carbon Brushes (2)
10-46-09	Height Adjustment Skirt	10-47	6-3/16" (158mm) Cupped Arbor, Carbide Tip Saw Blade
10-46-10	Screw Knob, Washer for Depth Gauge	10-55-22	Washer
10-46-11	Safety Guard	10-55-23	Tool for Disassembling Brushes
10-46-12	Return Spring (100 Bulk Pack) Not Shown	10-55-24	Masonry Blade
		10-55-25	Masonry Blade Adapter