

FIGURE 3 - MK-2020HSP CONCRETE SAW - P/N 156498

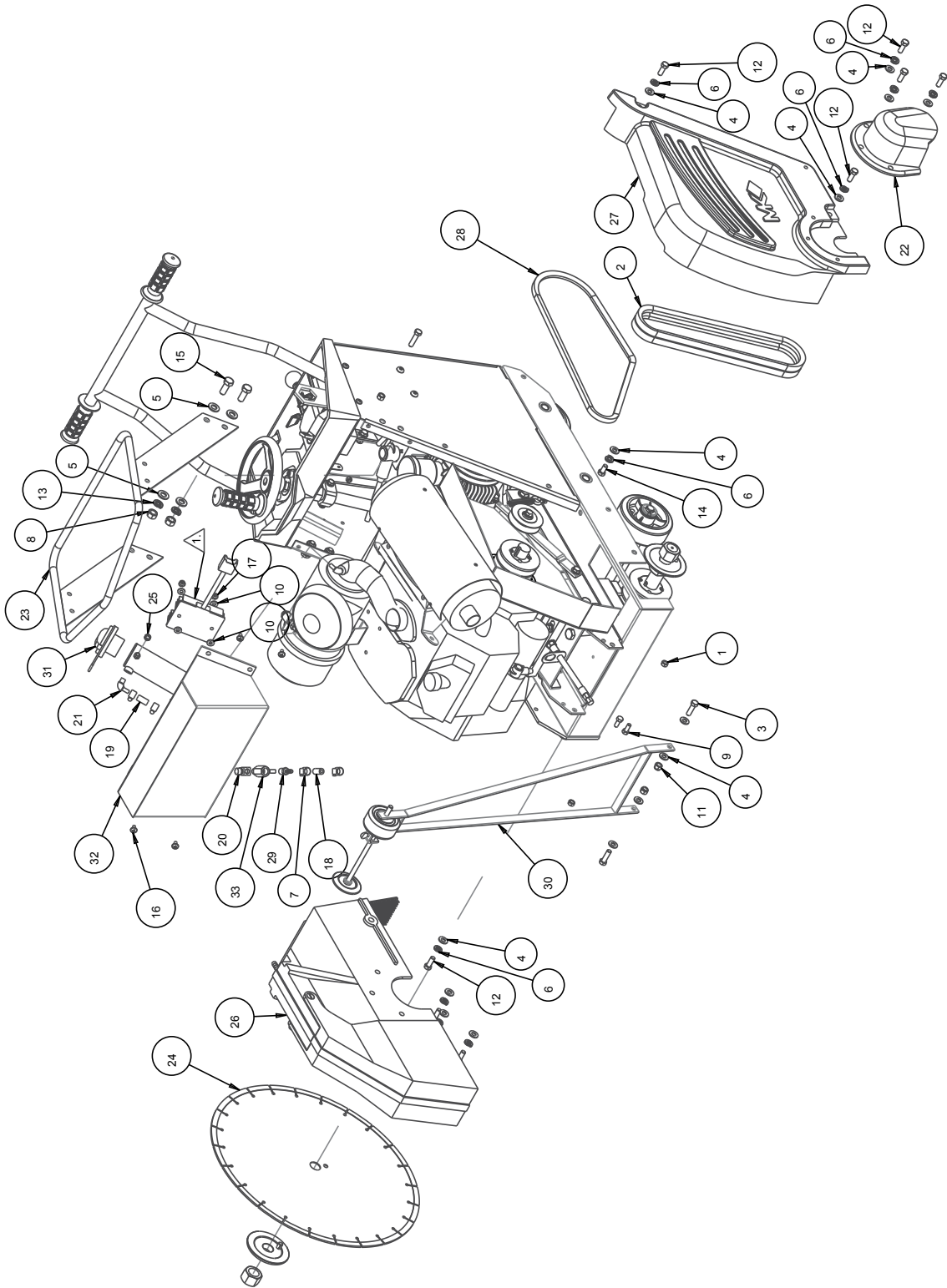


FIGURE 3 - MK-2020HSP CONCRETE SAW - P/N 156498

ITEM NO.	DESCRIPTION	PART #	QTY.
1	NUT, HEX, 5/16 - 18	101196	2
2	BELT, BX34	150764	2
3	SCREW, 3/8 - 16 X 1 -1/4 HEX HEAD CAP	150774	2
4	WASHER, FLAT, SAE 3/8	150923	17
5	WASHER, 1/2 SAE FLAT	150924	4
6	WASHER, LOCK, SPLIT, 3/8	150925	11
7	CLAMP, HOSE, 5/8	151198	4
8	SCREW, HEX HD, CAP, 5/16 - 18 X 3/4	151369	2
9	WASHER, 1/4 SAE FLAT	151915	12
10	NUT, 3/8 - 16 NYLOK HEX	152505	4
11	SCREW, HEX HD CAP, 3/8 -16 X 1	152507	10
12	SCREW, HEX, 3/8 - 16 X 3/4	153527	1
13	SCREW, 1/2 - 13 X 1 -1/4 HEX HEAD CAP	153532	4
14	SCREW, 1/4 - 20 X 1/2 TRUSS HEAD	153880	10
15	NUT, HEX, TW, 1/4 - 20	153941	2
16	HOSE, 1/4 FUEL, 12"	154163	1
17	HOSE, 1/4 FUEL, 24"	154163	1
18	ELBOW, 1/4 MNPT STREET	154615	1
19	ELBOW, 1/8 MNPT X 1/4 BARB 90DEG	154652	1
20	BELT, AX-43	156110	1
21	GUARD, SHAFT (COMP)	156307	1
22	LIFTING BAIL	156543	1
23	NUT, HEX, NYLK, 5/16 - 18	158289	1
24	ASSY, BLD GRD 20" (Page 38)	158818	1
25	CASTING, BELT GRD, SP-C	159888	1
26	FITTING, PUSH ON HOSE 1/4 X 1/4 MALE	165183	1
27	ASSY, POINTER, CONC SAW (Page 44)	166465	1
28	CAP, 2" FUEL FILLER	167220	1
29	TANK, FUEL, 2.5 GAL	169353	1
30	VALVE, BALL, 1/4"M TO 1/4"F	231248	1

FIGURE 3 - MK-2020HSP CONCRETE SAW - P/N 156498

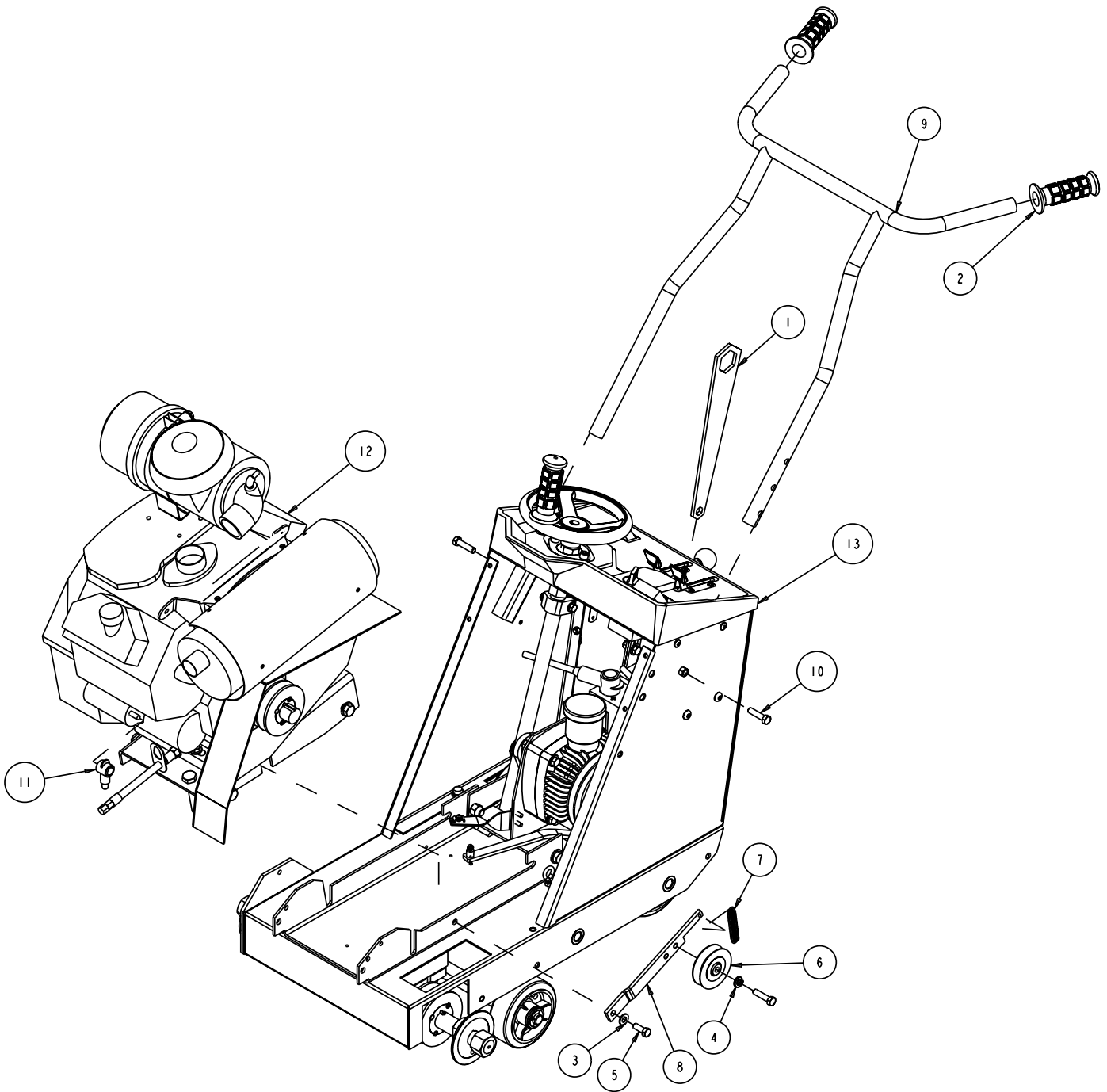


FIGURE 3 - MK-2020HSP CONCRETE SAW - P/N 156498

ITEM NO.	DESCRIPTION	PART #	QTY.
1	WRENCH, BOX END, 1-1/2 X 9/16	137976	1
2	GRIP, HANDLE, 1.0 ID	150842	2
3	WASHER, FLAT, SAE, 3/8	150923	3
4	WASHER, LOCK, SPLIT, 3/8	150925	1
5	SCREW, HEX HD CAP, 3/8 - 16 X 1	152507	1
6	PULLEY, 1A30 X 1/2 BORE IDLER	153797	1
7	SPRING, 9/16 X 2.5 EXTENSION	153807	1
8	BRACKET, IDLER PULLEY	154244	1
9	WELDMENT, HANDLEBAR	156516	1
10	SCREW, HEX HEAD 3/8 - 16 X 1 - 1/2 LG.	156656	2
11	COVER, 8 - 4 AWG TERMINAL, RED	169355	1
12	ASSY, ENGINE, HONDA GX630 (<i>Page 42</i>)	169713	1
13	ASSY, FRAME, LESS ENGINE (<i>Pages 32-36</i>)	169719	1

FIGURE 3 - MK-2020HSP CONCRETE SAW - P/N 156498

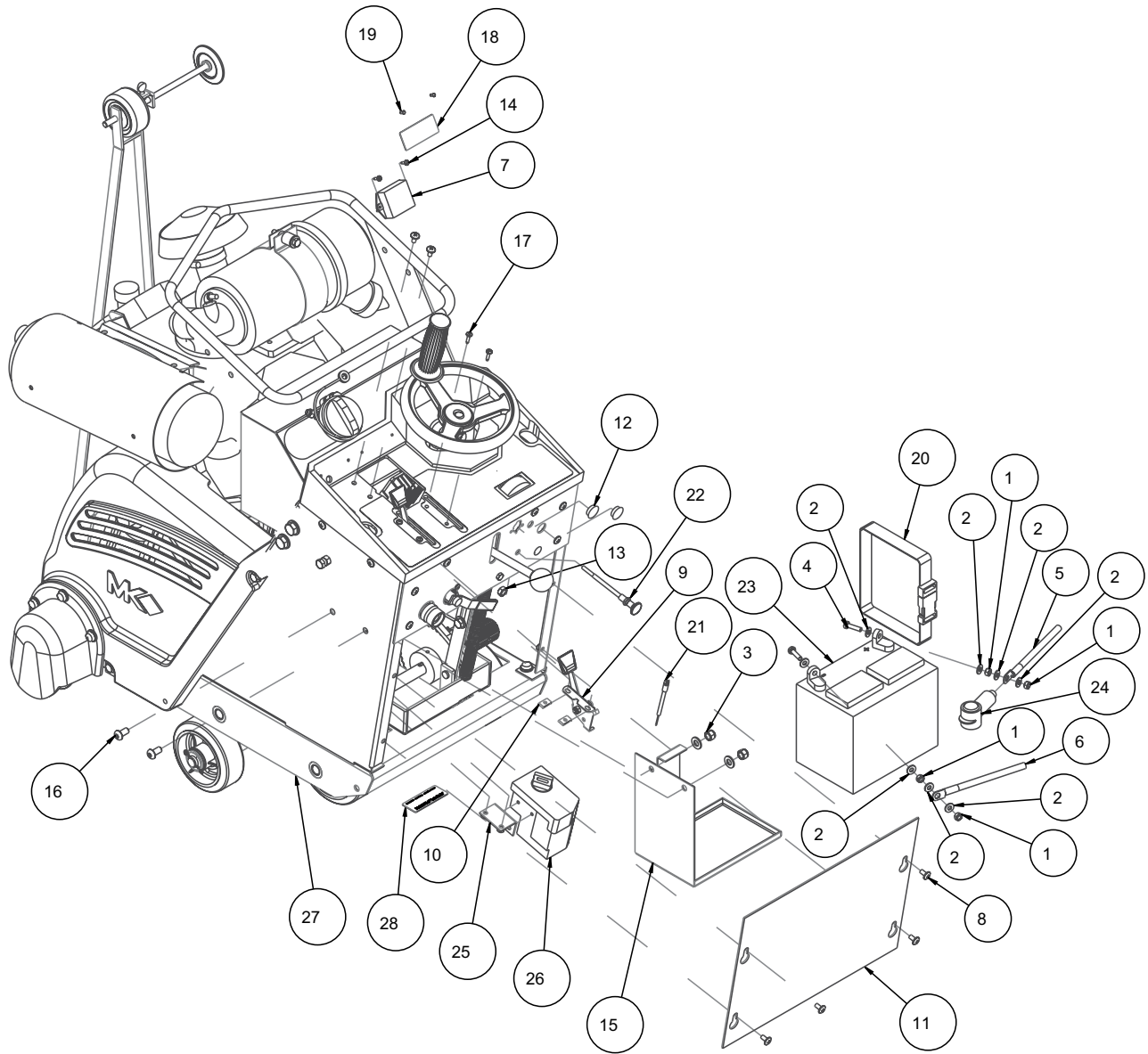
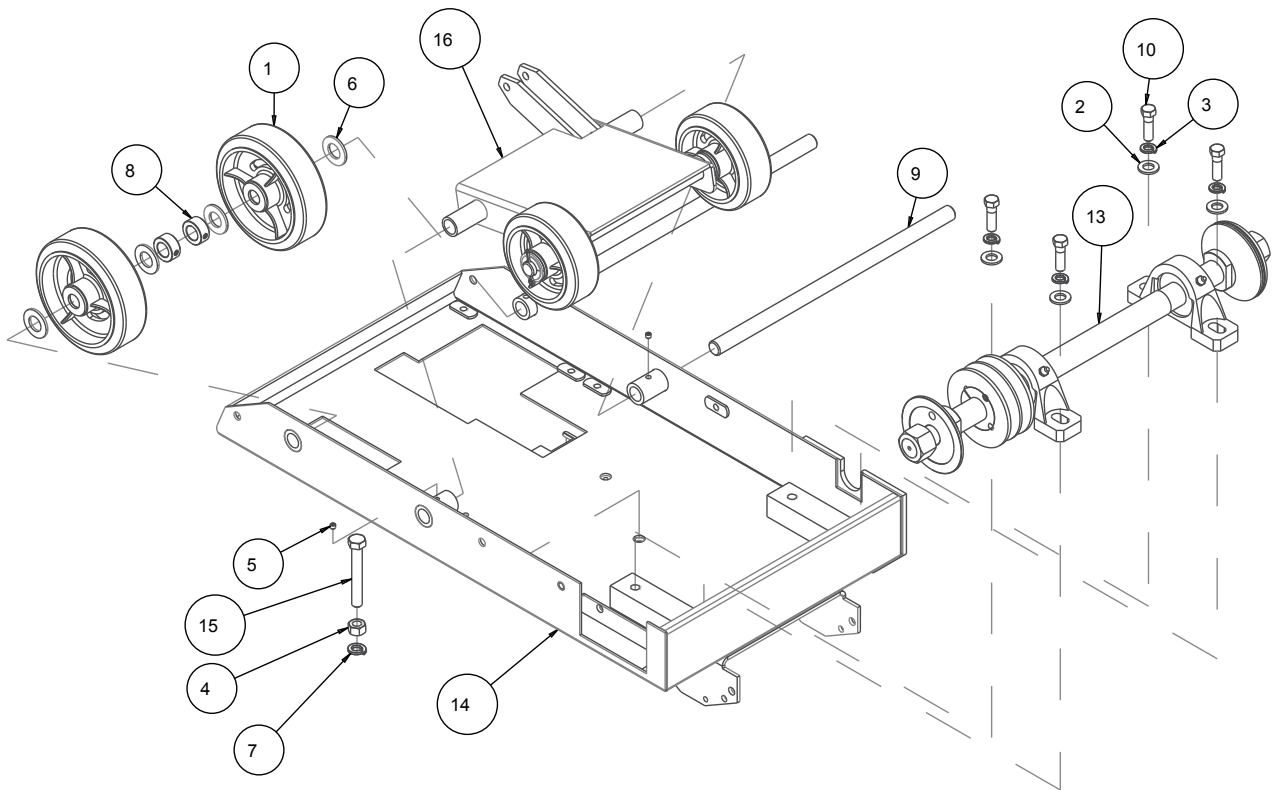


FIGURE 3 - MK-2020HSP CONCRETE SAW - P/N 156498

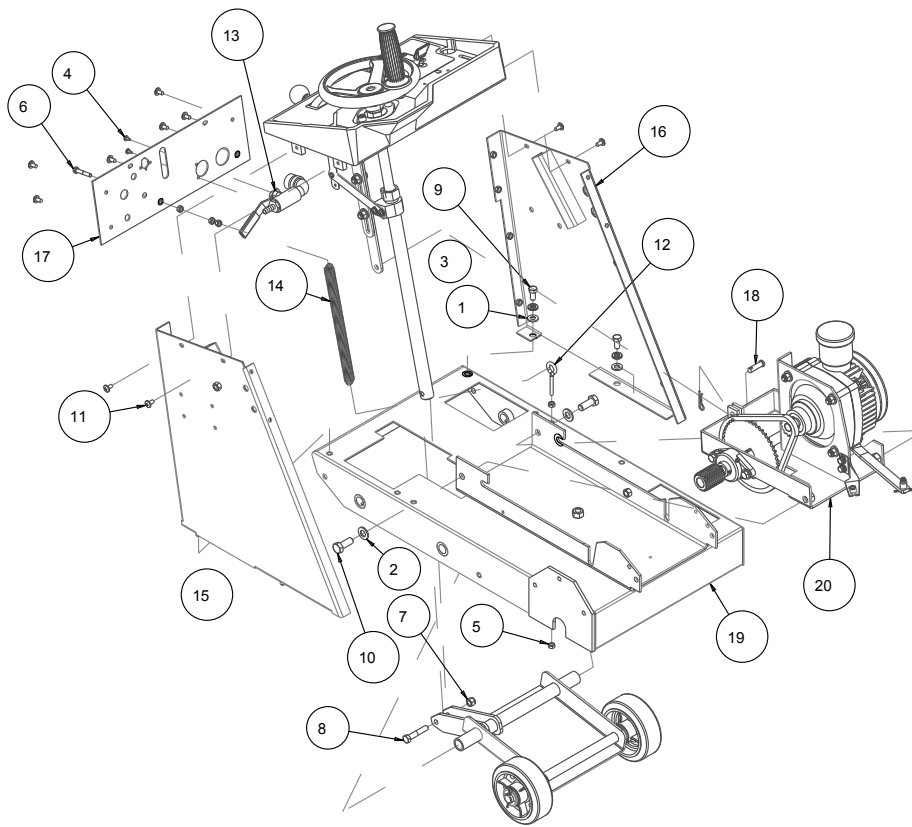
ITEM NO.	DESCRIPTION	PART #	QTY.
1	NUT, HEX, 1/4 -20	151893	4
2	WASHER, 1/4 SAE FLAT	151915	12
3	NUT, 3/8 -16 NYLOK HEX	152505	4
4	SCREW, HEX HD CAP, 1/4 - 20 X 1	152676	2
5	CABLE, 4GA X 48 RED BATTERY	153848	1
6	CABLE, 4GA X 24 BLACK BATTERY	153849	1
7	TACHOMETER/HOURMETER	153877	1
8	SCREW, 1/4 -20 X 1/2 TRUSS HEAD	153880	10
9	ASSY, THROTTLE CONTROL	155406	1
10	NUT, 10 -24 CLIP	155407	2
11	PANEL, TOWER LOWER BACK	156505	1
12	PLUG, HOLE PLASTIC 3/4"	156615	2
13	NUT, 3/8 - 24 HEX JAM	156623	1
14	SCREW, PAN HD SELF TAP 8 - 32 X 1/2	156632	2
15	BOX, BATTERY	156634	1
16	SCREW, BTN HD 3/8-16 X3/4 SOCK	156635	2
17	SCREW, PAN HD PHIL MS 10-24 X 3/4	156641	2
18	TAG, SERIAL NUMBER, BLANK	157500-RW	1
19	SCREW, DRIVE, RND HD, #7 X 5/16	157849	2
20	STRAP, NYLON, 1"	158094	1
21	CABLE, THROTTLE, 20HP HONDA (COMP)	158815	1
22	CABLE, CHOKE, HONDA (COMP)	158816	1
23	BATTERY, 12V, 35AH	162589	1
24	COVER, 1" BATTERY TERMINAL, RED	163940	1
25	BRACKET, SWITCH	169714	1
26	WIRING, HARNESS, GX630/690	169715-MK	1
27	ASSY, FRAME, LESS ENGINE (Pages 32-36)	169719	1
28	TAG, EVAP, 20S, PARENT	169736-20S	1

FIGURE 5 - ASSY, FRAME 20S - P/N 170058



ITEM NO.	DESCRIPTION	PART #	QTY.
1	WHEEL, REAR CONCRETE SAW	138529	2
2	WASHER, 1/2 SAE FLAT	150924	4
3	WASHER, 7/16 SPLIT LOCK	151051	4
4	NUT, 1/2-13 HEX	151282	1
5	SCREW, SET, CUP PT, 5/16 - 18 X 1/4	152607	2
6	WASHER, FLAT, SAE, 3/4	153523	4
7	WASHER, 1/2 SPLIT LOCK	153524	1
8	COLLAR, SET, 3/4"	153814	2
9	AXLE, REAR, Ø 3/4	153873	2
10	SCREW, 7/16 - 14 X 1 - 1/2 HEX HEAD CAP	155155	4
11	ASSY, THROTTLE CONTROL	155406	1
12	ASSY, PIN CLEVIS 3/8 X 1 - 1/4	156611	1
13	ASSY, BLADE SHAFT 20HP (Page 41)	156654	1
14	FRAME, WELDMENT	157092	1
15	SCREW, HEX HD, TAP, 1/2-13X3-1/2	158284	1
16	ASSY, TRUCK (Page 49)	169710	1

FIGURE 5 - ASSY, FRAME, 20S - P/N 170058



ITEM NO.	DESCRIPTION	PART #	QTY.
1	WASHER, FLAT, SAE, 3/8	150923	13
2	WASHER, 1/2 SAE FLAT	150924	2
3	WASHER, LOCK, SPLIT, 3/8	150925	4
4	SCREW, PAN HD SELF TP10-24 X 3/8	151262	2
5	NUT, HEX, 1/4 - 20	151893	6
6	SCREW, HEX HEAD 1/4 - 20 X 1 - 1/2"	151914	1
7	NUT, 3/8 - 16 NYLOK HEX	152505	6
8	SCREW, HEX HD, 3/8 - 16 X 2	153485	2
9	SCREW, HEX, 3/8 - 16 X 3/4	153527	4
10	SCREW, 1/2 - 13 X 1 - 1/4 HEX HEAD CAP	153532	2
11	SCREW, 1/4 - 20 X 1/2 TRUSS HEAD	153880	10
12	EYEBOLT, 1/4 - 20 X 2	153887	1
13	ASSY, WATER VALVE (<i>Page 47</i>)	153888	1
14	SPRING, EXTENSION	153957	1
15	PANEL, SIDE COVER R HND	156500	1
16	PANEL, SIDE COVER L HND	156501	1
17	PANEL, TOWER UPPER	156504	1
18	ASSY, PIN CLEVIS 3/8 X 1-1/4	156611	1
19	FRAME, WELDMENT	157092	1
20	ASSY, TRANSMISSION (<i>Pages 38-39</i>)	169711	1

FIGURE 5 - ASSY, FRAME 20S - P/N 170058

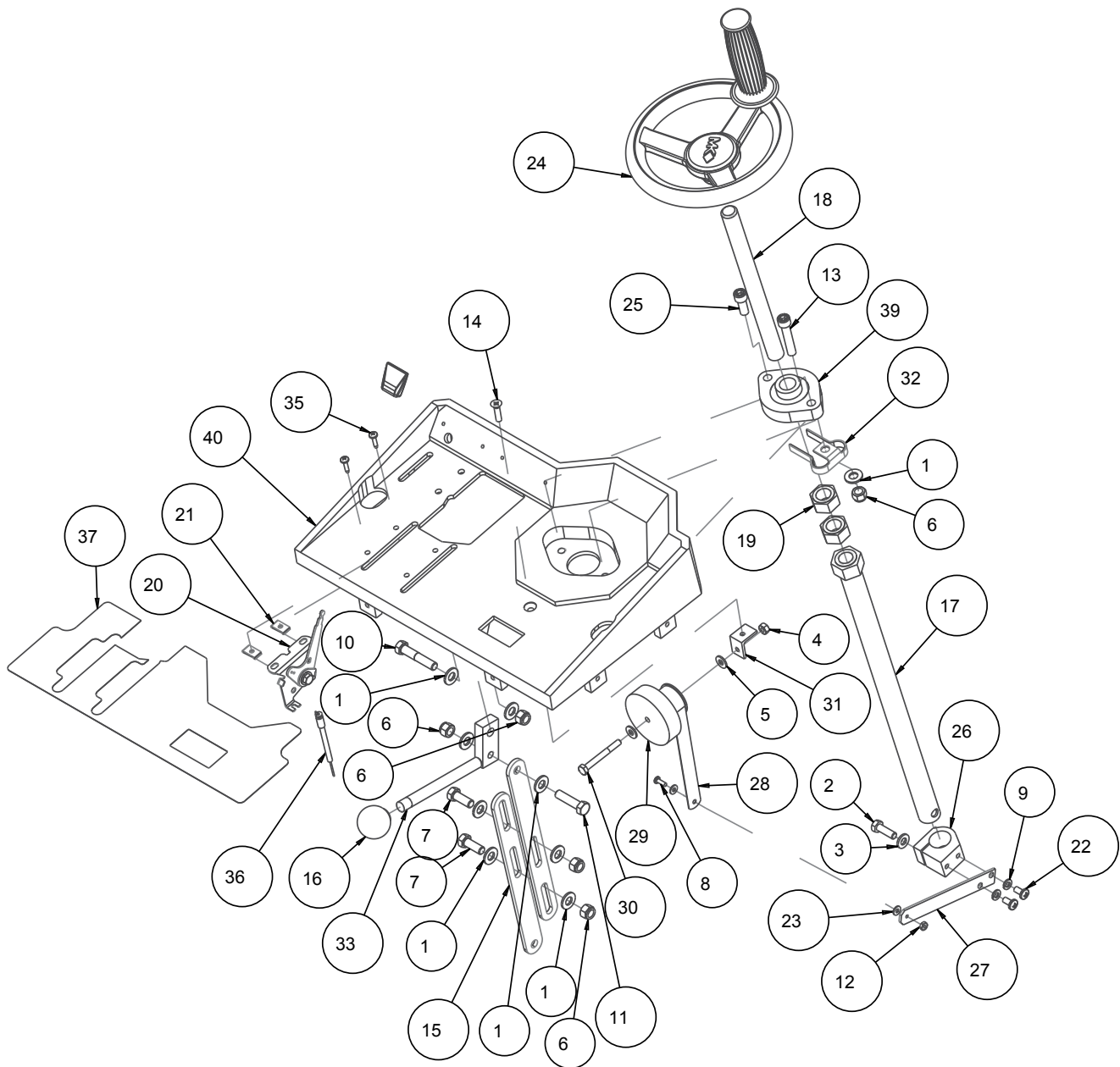


FIGURE 5 - ASSY, FRAME 20S - P/N 170058

ITEM NO.	DESCRIPTION	PART #	QTY.
1	WASHER, FLAT, SAE, 3/8	150923	9
2	SCREW, HEX HD, 5/16 - 18 X 1	151743	1
3	WASHER, FLAT, SAE, 5/16	151754	1
4	NUT, HEX, 1/4 - 20	151893	1
5	WASHER, 1/4 SAE FLAT	151915	2
6	NUT, 3/8 -16 NYLOK HEX	152505	5
7	SCREW, HEX HD CAP, 3/8 - 16 X 1	152507	2
8	SCREW, RND HD, #8 - 32 X 1/2	152517	1
9	WASHER, 1/4 SPLIT LOCK	152591	2
10	SCREW, HEX HD, CAP, 3/8 - 16 X 2	153485	1
11	SCREW, 3/8 -16 X 1-1/2 HEX HEAD	153528	1
12	NUT, HEX, 8 -32	153549	1
13	SCREW, SOC HD, CAP, 3/8 - 16 X 2	153643	1
14	SCREW, FLAT HD, SOC, 1/4 -20 X 1"	153894	1
15	ARM, DRIVE ADJUSTMENT	154242	2
16	KNOB, 1/2 - 20 FEM BALL	154486	1
17	LINKAGE, DEPTH FEED 1600/9000	155049	1
18	STUD, 3/4 - 10 X 10"	155062	1
19	NUT, 3/4 - 10 HEX	155063	2
20	ASSY, THROTTLE CONTROL	155406	1
21	NUT, 10 -24 CLIP	155407	2
22	SCREW, PAN HD, CAP, 1/4 - 20 X 1/2	155452	2
23	WASHER, FLAT, SAE, #8	155454	2
24	ASSY, CRANK WHEEL, 3/4 - 10 (Page 48)	155457	1
25	PANEL, CONTROL (COMP)	156305	1
26	SCREW, SOCKET HEAD CAP 3/8 - 16 X 1	156602	1
27	CLAMP, DEPTH INDICATOR	156603	1
28	ARM, DEPTH INDICATOR	156604	1
29	SPRING, DEPTH GAUGE	156605	1
30	SPOOL, 2.75 DIA DEPTH INDICATOR	156606	1
31	SCREW, HEX HD, CAP, 1/4 - 20 X 2 - 1/4	156607	1
32	BRACKET, DEPTH INDICATOR	156608	1
33	SPRING, DETENT	156609	1
34	HANDLE, ENGAGE	156610	1
35	ASSY, PIN CLEVIS 3/8 X 1 - 1/4	156611	1
36	SCREW, PAN HD PHIL MS 10 - 24 X 3/4	156641	2
37	CABLE, TRANS CONTROL, 20S	156643	1
38	LABEL, DEPTH INDICATOR	156778	1
39	LABEL, CONTROL PANEL	165136	1
40	CASTING, CONTROL PANEL-COMP	169712	1

FIGURE 6 - FRAME, LESS ENGINE - P/N 169719

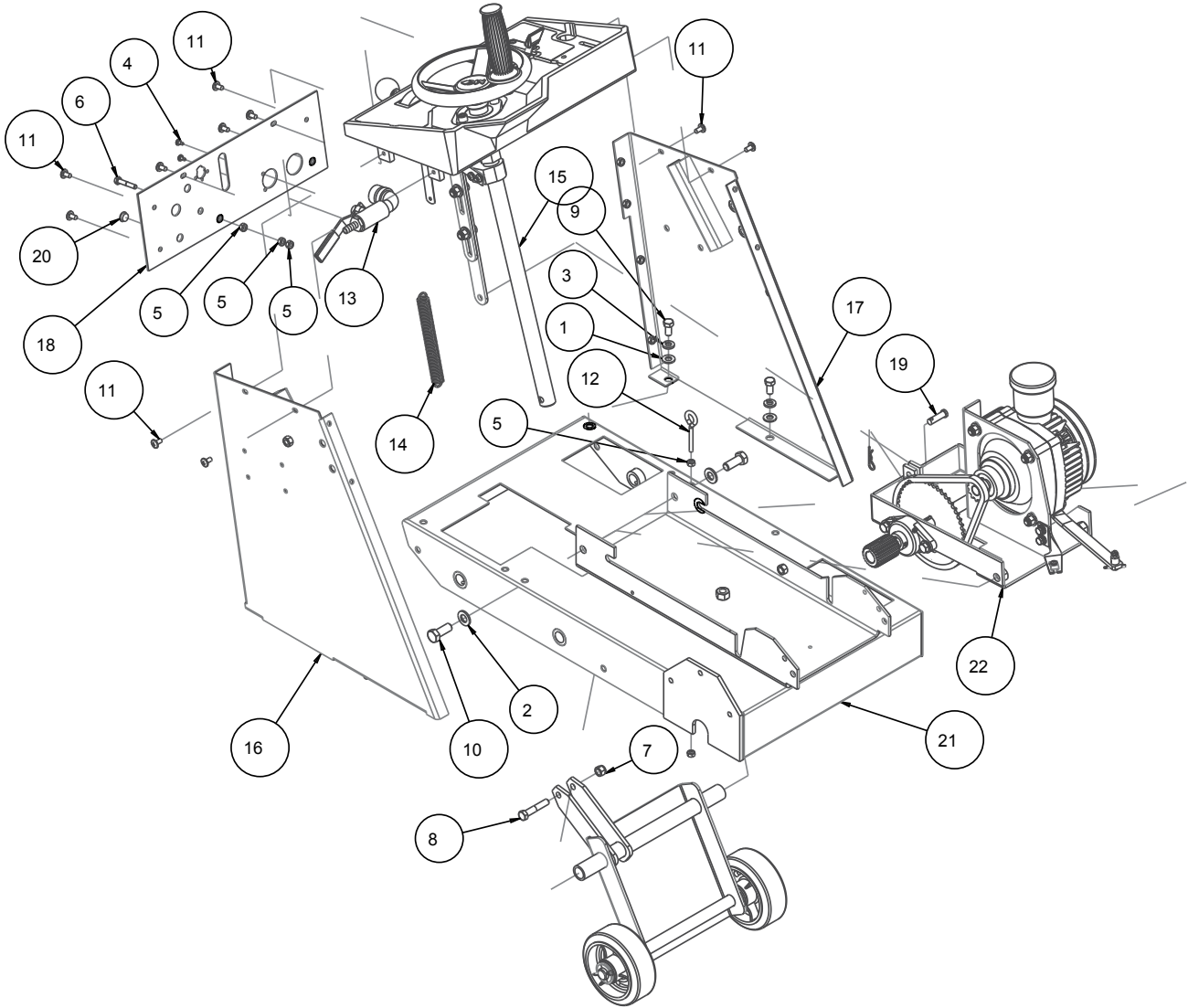


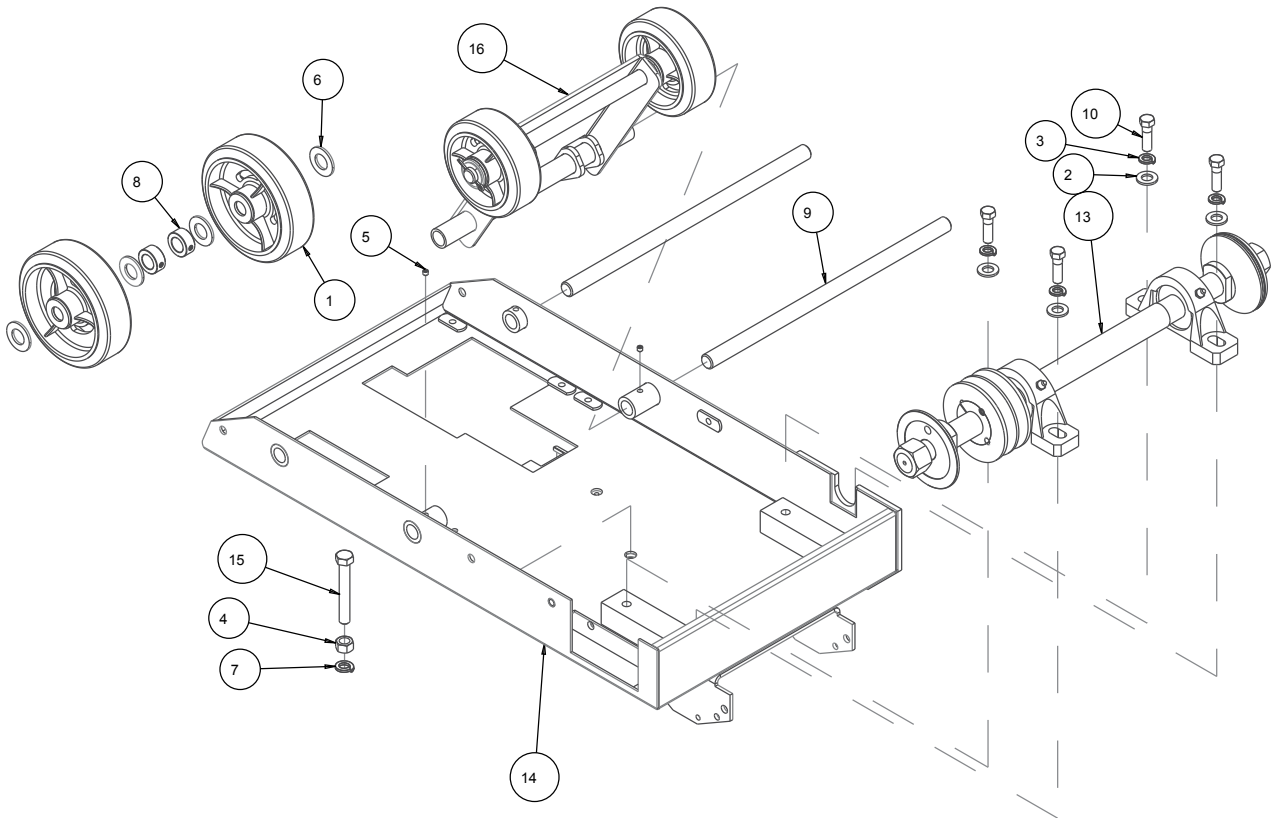
FIGURE 6 - FRAME, LESS ENGINE - P/N 169719

ITEM NO.	DESCRIPTION	PART #	QTY.
1	WASHER, FLAT, SAE, 3/8	150923	13
2	WASHER, 1/2 SAE FLAT	150924	2
3	WASHER, LOCK, SPLIT, 3/8	150925	4
4	SCREW, PAN HD SELF TP10-24 X 3/8	151262	2
5	NUT, HEX, 1/4 - 20	151893	6
6	SCREW, HEX HEAD 1/4 - 20 X 1 - 1/2"	151914	1
7	NUT, 3/8 - 16 NYLOK HEX	152505	6
8	SCREW, HEX HD, 3/8 - 16 X 2	153485	2
9	SCREW, HEX, 3/8 - 16 X 3/4	153527	4
10	SCREW, 1/2 - 13 X 1 - 1/4 HEX HEAD CAP	153532	2
11	SCREW, 1/4 - 20 X 1/2 TRUSS HEAD	153880	10
12	EYEBOLT, 1/4 - 20 X 2	153887	1
13	ASSY, WATER VALVE (Page 47)	153888	1
14	SPRING, EXTENSION, 3/4OD X 6.5L X .091WIRE	153957	1
15	LINKAGE, DEPTH FEED 1600/9000	155049	1
16	PANEL, SIDE COVER R HND	156500	1
17	PANEL, SIDE COVER L HND	156501	1
18	PANEL, TOWER UPPER	156504	1
19	ASSY, PIN CLEVIS 3/8 X 1 - 1/4	156611	1
20	PLUG, 1/2 FLUSH HEAD BUTTON	156779	1
21	FRAME, WELDMENT	157092	1
22	ASSY, TRANSMISSION (Pages 38-39)	169711	1

FIGURE 6 - FRAME, LESS ENGINE - P/N 169719

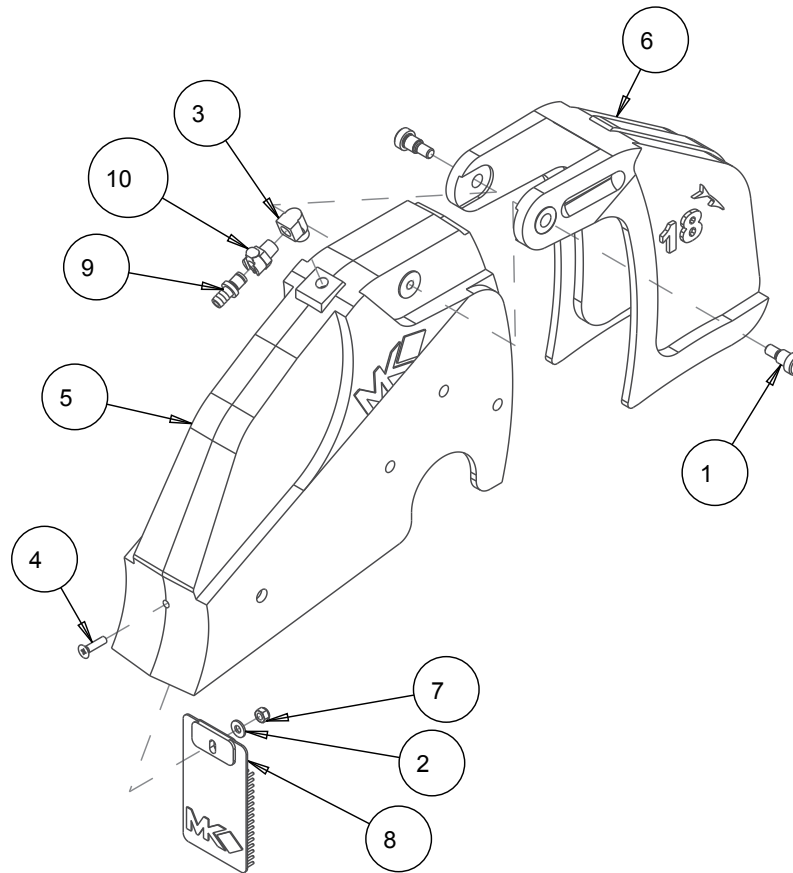
ITEM NO.	DESCRIPTION	PART #	QTY.
1	WASHER, FLAT, SAE, 3/8	150923	9
2	SCREW, HEX HD, 5/16 - 18 X 1	151743	1
3	WASHER, FLAT, SAE, 5/16	151754	1
4	NUT, HEX, 1/4 - 20	151893	1
5	WASHER, 1/4 SAE FLAT	151915	2
6	NUT, 3/8 -16 NYLOK HEX	152505	5
7	SCREW, HEX HD CAP, 3/8 - 16 X 1	152507	2
8	SCREW, RND HD, #8 - 32 X 1/2	152517	1
9	WASHER, 1/4 SPLIT LOCK	152951	2
10	SCREW, HEX HD, 3/8 - 16 X 2	153485	1
11	SCREW, 3/8 -16 X 1-1/2 HEX HEAD	153528	1
12	NUT, HEX, 8 -32	153549	1
13	SCREW, SOC HD, CAP, 3/8 - 16 X 2	153643	1
14	SCREW, FLAT HD, SOC, 1/4 -20 X 1"	153894	1
15	ARM, DRIVE ADJUSTMENT	154242	2
16	KNOB, 1/2 - 20 FEM BALL	154486	1
17	LINKAGE, DEPTH FEED 1600/9000	155049	1
18	STUD, 3/4 -10 X 10"	155062	1
19	NUT, 3/4 - 10 HEX	155063	2
20	ASSY, THROTTLE CONTROL	155406	1
21	NUT, 10 -24 CLIP	155407	2
22	SCREW, PAN HD, CAP, 1/4 - 20 X 1/2	155452	2
23	WASHER, FLAT, SAE, #8	155454	2
24	ASSY, CRANK WHEEL, 3/4 - 10 (Page 48)	155457	1
25	SCREW, SOCKET HEAD CAP 3/8 - 16 X 1	156602	1
26	CLAMP, DEPTH INDICATOR	156603	1
27	ARM, DEPTH INDICATOR	156604	1
28	SPRING, DEPTH GAUGE	156605	1
29	SPOOL, 2.75 DIA DEPTH INDICATOR	156606	1
30	SCREW, HEX HD, CAP, 1/4 - 20 X 2 - 1/4	156607	1
31	BRACKET, DEPTH INDICATOR	156608	1
32	SPRING, DETENT	156609	1
33	HANDLE, ENGAGE	156610	1
34	ASSY, PIN CLEVIS 3/8 X 1 - 1/4	156611	1
35	SCREW, PAN HD PHIL MS 10 - 24 X 3/4	156641	2
36	CABLE, TRANS CONTROL, 20S	156643	1
37	LABEL, CONTROL 20/24 SERIES	156749	1
38	LABEL, DEPTH INDICATOR	156778	1
39	BEARING, FLANGE, 3/4 ID, FD204	165971	1
40	CASTING, CONTROL PANEL - COMP	169712	1

FIGURE 6 - FRAME, LESS ENGINE - P/N 169719



ITEM NO.	DESCRIPTION	PART #	QTY.
1	WHEEL, REAR CONCRETE SAW	138529	2
2	WASHER, 1/2 SAE FLAT	150924	4
3	WASHER, 7/16 SPLIT LOCK	151051	5
4	NUT, 1/2-13 HEX	151282	1
5	SCREW, SET, CUP PT, 5/16 - 18 X 1/4	152607	2
6	WASHER, FLAT, SAE, 3/4	153523	4
7	WASHER, 1/2 SPLIT LOCK	153524	1
8	COLLAR, SET, 3/4"	153814	2
9	AXLE, REAR, Ø 3/4	153873	2
10	SCREW, 7/16 - 14 X 1 - 1/2 HEX HEAD CAP	155155	4
11	ASSY, THROTTLE CONTROL	155406	1
12	ASSY, PIN CLEVIS 3/8 X 1 - /14	156611	1
13	ASSY, BLADE SHAFT 20HP (Page 41)	156654	1
14	FRAME, WELDMENT	157092	1
15	SCREW, HEX HD, TAP, 1/2-13X3-1/2	158284	1
16	ASSY, TRUCK (Page 49)	169710	1

FIGURE 7 - ASSY, BLADE GUARD, 18" - P/N 160481



ITEM NO.	DESCRIPTION	PART #	QTY.	PAGE
1	SCREW, SHOULDER, 1/2 X 1/2	151753	2	•
2	WASHER, SAE, FLAT, 1/4	151915	1	•
3	ELBOW, 1/4 MNPT STREET	154615	1	•
4	SCREW, FLAT HD, 1/4-20 X 1	157527	1	•
5	CASTING, BLD GRD, 18" REAR-COMP	159544	1	•
6	CASTING, BLD GRD, 18" FRONT-COMP	159645	1	•
7	NUT, HEX, NYLK, 1/4-20	159857	1	•
8	GUARD, SPLASH	160310	1	•
9	COUPLING, QD PLUG, 3/8 BARB	160464	1	•
10	COUPLING, QD SOCKET, 1/4MNPT	160465	1	•

FIGURE 8 - ASSY TRANSMISSION - P/N 169711

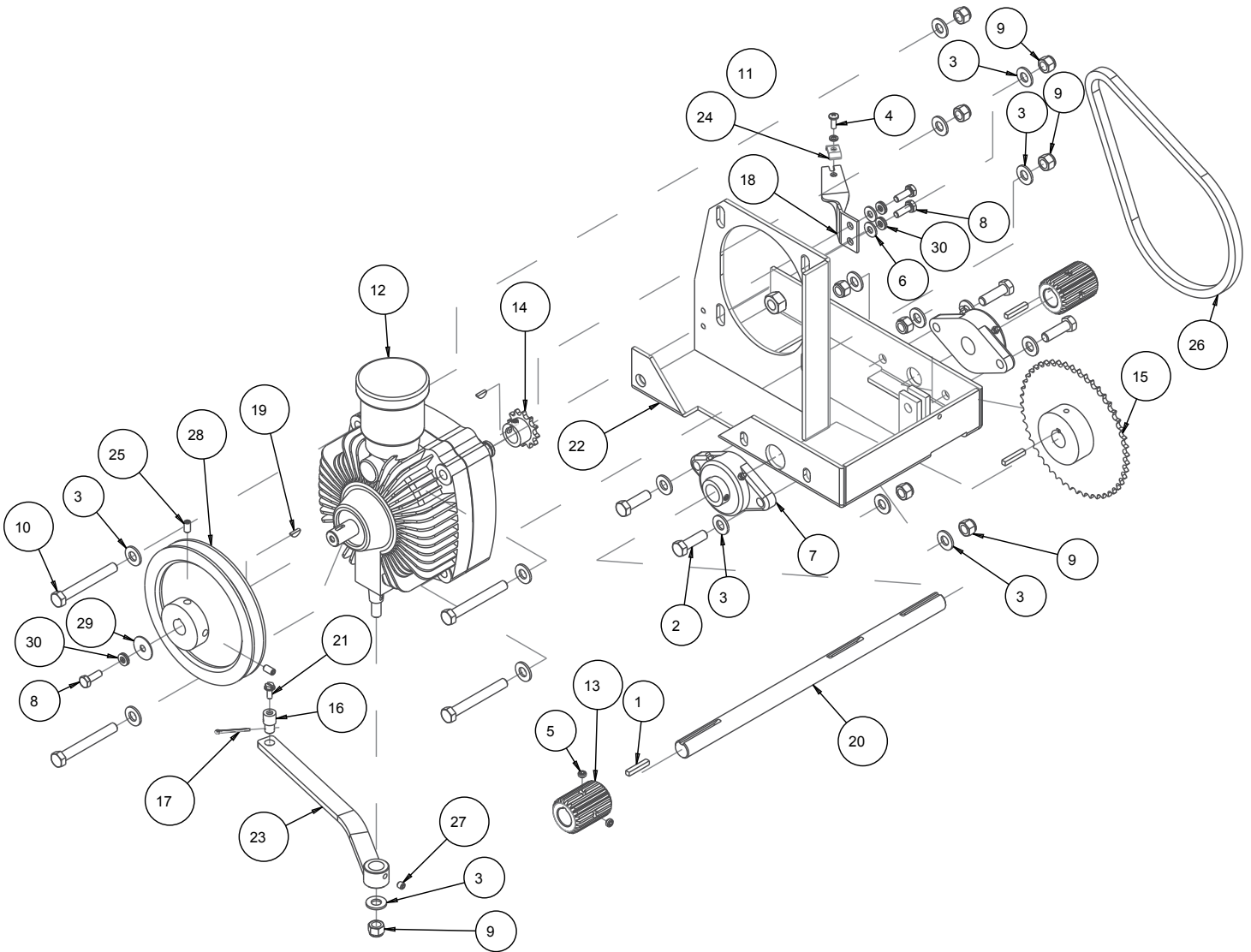
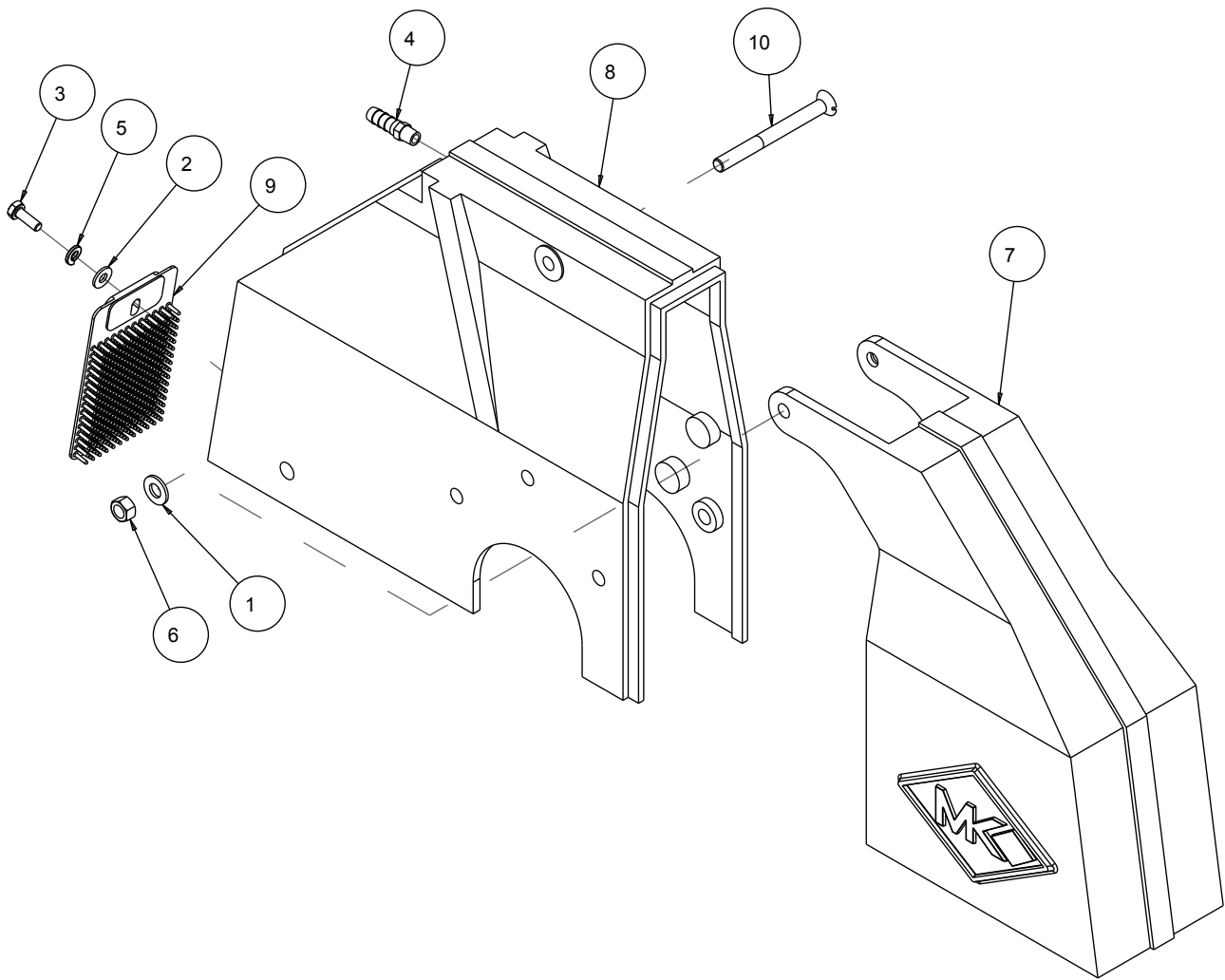


FIGURE 8 - ASSY TRANSMISSION - P/N 169711

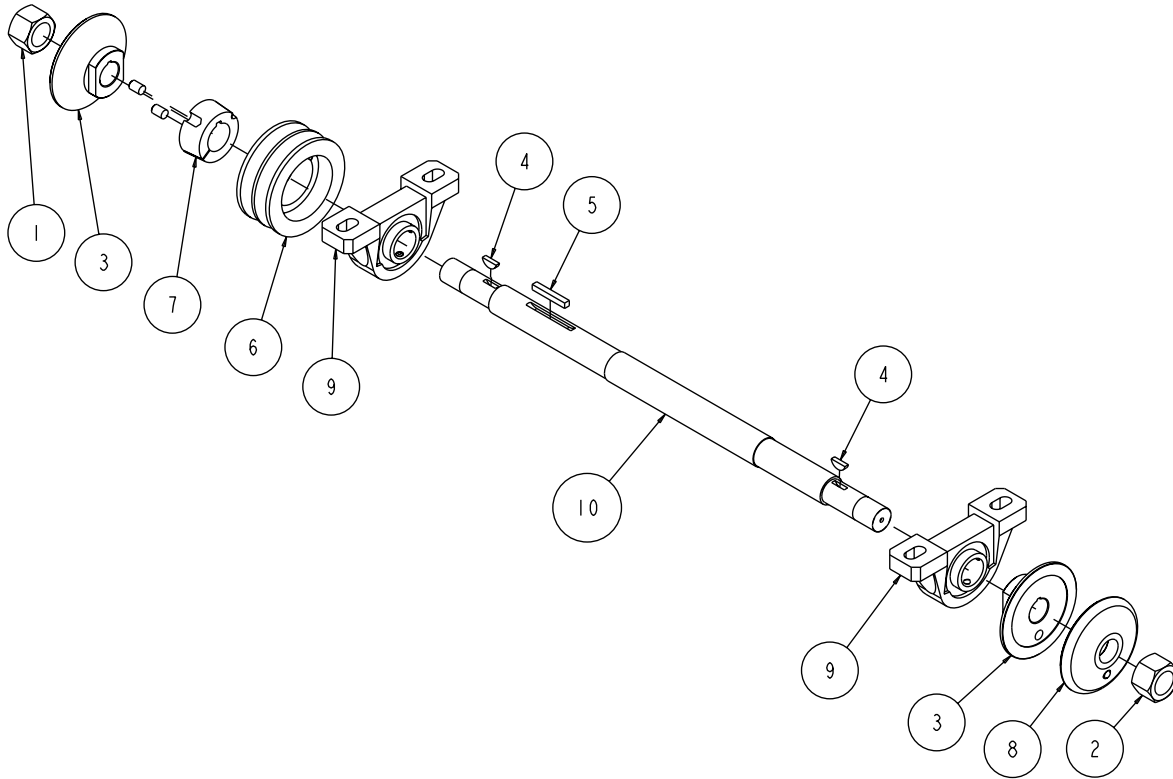
ITEM NO.	DESCRIPTION	PART #	QTY.
1	KEY, 3/16 SQ X 1-1/8	150344	3
2	SCREW, 3/8-16 X 1-1/4 HEX HEAD CAP	150774	4
3	WASHER, FLAT, SAE, 3/8	150923	17
4	SCREW, PAN HD, #10-32 X 1/2	151052	1
5	SCREW, SET, CUP PT, 5/16-18X 3/16	151167	4
6	WASHER, FLAT, SAE, 1/4	151915	2
7	BEARING, Ø 3/4 FLANGE	152025	2
8	SCREW, HEX HD, 1/4-20X3/4	152370	3
9	NUT, HEX, NYLK, 3/8-16	152505	9
10	SCREW, 3/8-16 X 3 HEX HEAD CAP	153113	4
11	WASGERM #10 SPLIT LOCK	153684	1
12	PUMP, TRANSMISSION	153783	1
13	SPLINE, 1-1/2 X 2	153786	2
14	SPROCKET, #35-B12 X 17 MM BORE	153811	1
15	SPROCKET, #35-B12 X 17MM BORE	153812	1
16	PIN, WIRE, STOP	153842	1
17	PIN, COTTER 1/8 X 1-1/2	153860	1
18	BRACKET, TRANS CONTROL	153862	1
19	KEY, WOODRUFF, 1/8 X 1/2	153865	2
20	SHAFT, FRICTION DRIVE	153891	1
21	SCREW, HEX HD FL 10-24 X 5/16	154172	1
22	MOUNT, TRANS	154230	1
23	LEVER, TRANS CONTROL	154238	1
24	CLAMP, CABLE	154383	1
25	SCREW, 1/4-20 X 1/2 SOCKET HEAD SET	155804	2
26	CHAIN, ROLLER	156309	1
27	SCREW, SET, 1/4-20X1/4	157528	1
28	PULLEY, A6.2 X 17MM BORE, OFFSET	164565	1
29	WASHER, FENDER, 1/4X1	169049	1
30	WASHER, CHROMATE, 1/4, PAIR	169693	3

FIGURE 9 - ASSY, BLADE GUARD, 20" - P/N 158818



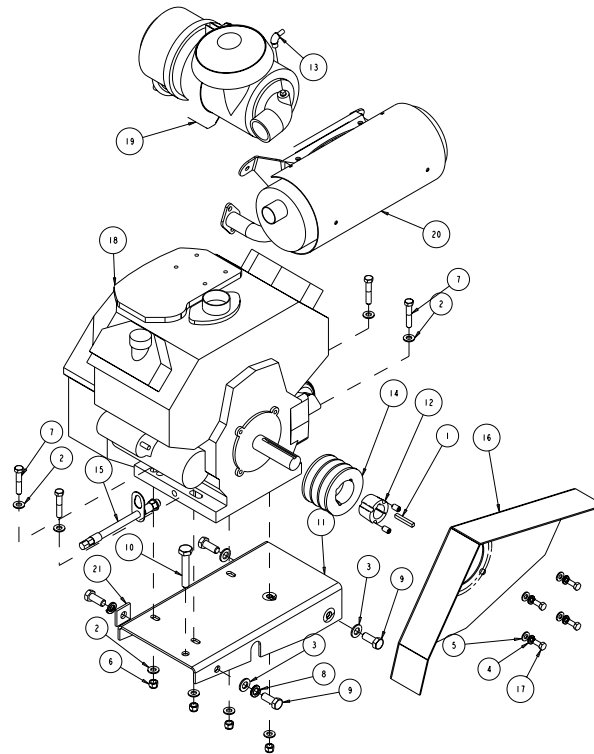
ITEM NO.	DESCRIPTION	PART #	QTY.
1	WASHER, FLAT, SAE, 3/8	150923	1
2	WASHER, SAE, FLAT, 1/4	151915	1
3	SCREW, HEX HD, 1/4-20 X 3/4	152370	1
4	FITTING, 1/8 MNPT X 3/8 BARB	152501	1
5	WASHER, LOCK, SPLIT, 1/4	152591	1
6	NUT, 3/8-16 HEX CENTERLOCK	153522	1
7	CASTING, BLD GRD, 20" FR-C	154062	1
8	CASTING, BLD GRD, 20IN RR-C	156781	1
9	GUARD, SPLASH	160310	1
10	SCREW, FLAT HD, 3/8-16 X 4	170790	1

FIGURE 10 - BLADE SHAFT - P/N 156654



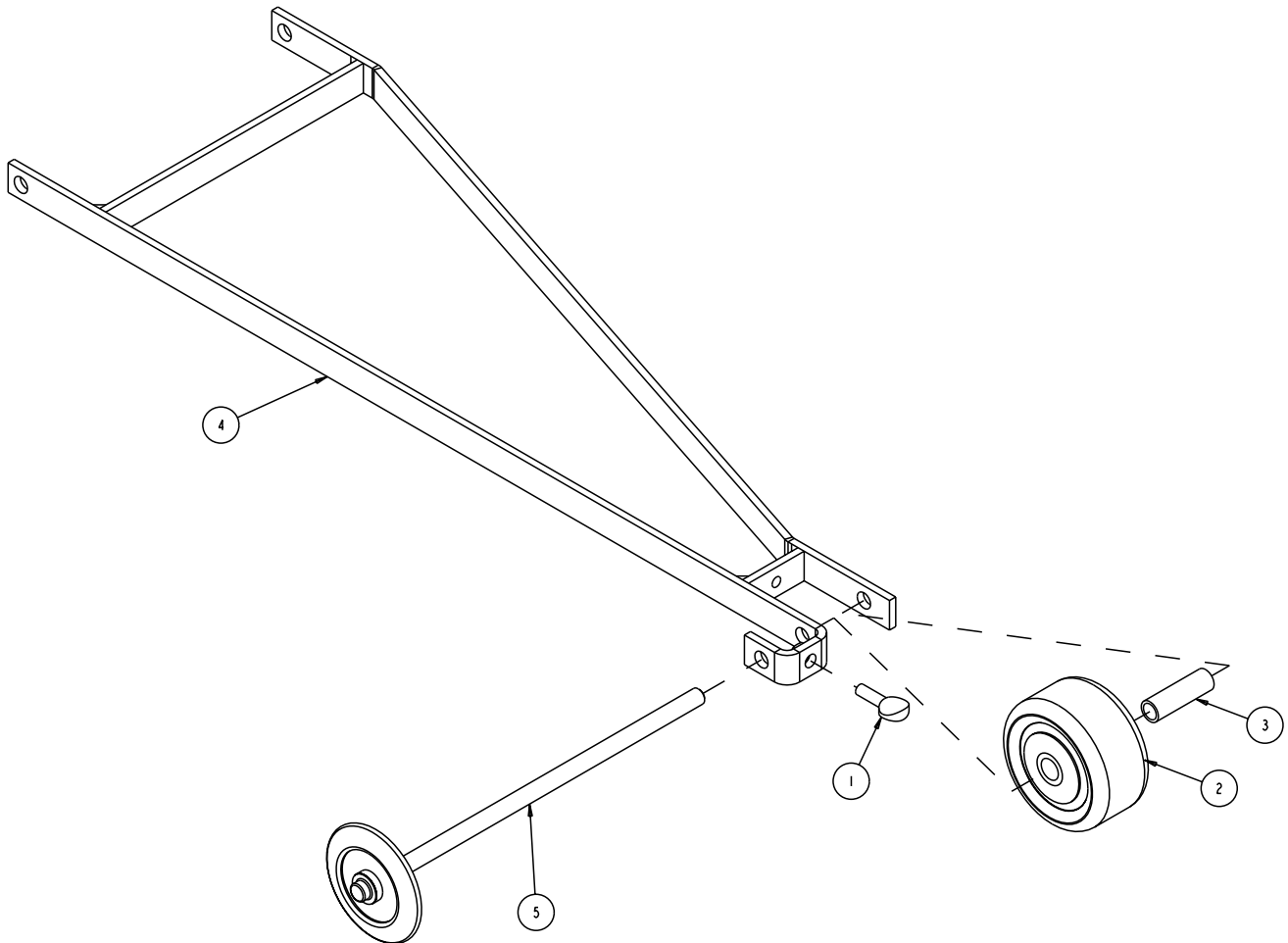
ITEM NO.	DESCRIPTION	PART #	QTY.
1	NUT, 1 - 14 RIGHT HAND	138693	1
2	NUT, 1 - 14 LEFT HAND	138701	1
3	FLANGE, INNER	150731	2
4	KEY, 3/16 X 3/4 WOODRUFF	150794	2
5	KEY, SQUARE, 1/4 X 1 - 3/4	150796	1
6	PULLEY, 2A34B38 X 1610 TB	150010	1
7	BUSHING, TPR-LOCK 1610X1 - 3/16"	155011	1
8	ASSY, OUTER FLANGE, 4"	155451	1
9	BEARING, 1 - 3/16 ID PILLOW BLOCK	155622	2
10	SHAFT, 1 3/16 BLADE	156599	1

FIGURE 13 - ENGINE, HONDA GX630 - P/N 169713



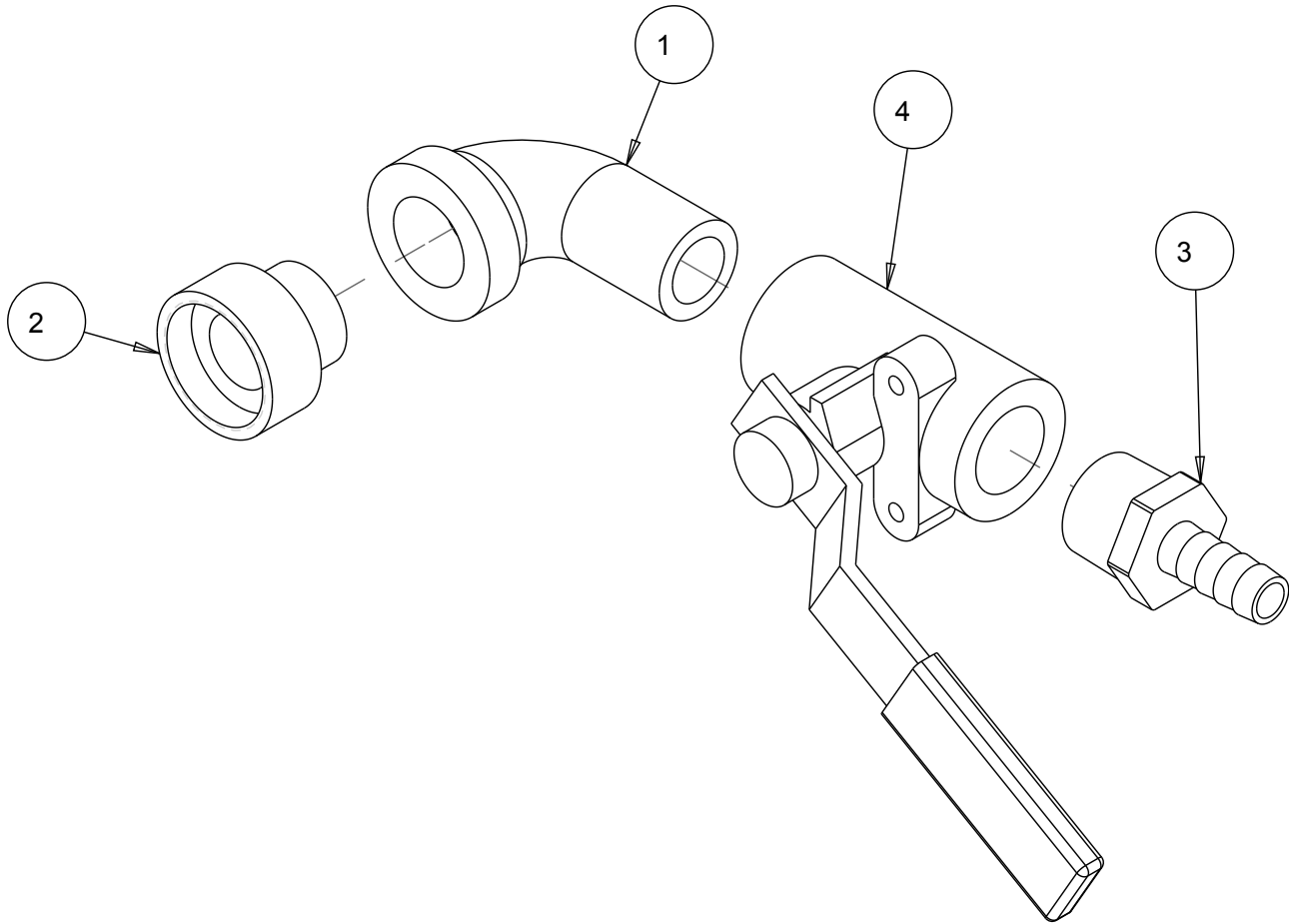
ITEM NO.	DESCRIPTION	PART #	QTY.
1	KEY, SQUARE, 1/4 X 1 - 3/4	150796	1
2	WASHER, FLAT, SAE, 3/8	150923	8
3	WASHER, 1/2 SAE FLAT	150924	3
4	WASHER, LOCK, SPLIT, 5/16	151747	4
5	WASHER, FLAT, SAE, 5/16	151754	4
6	NUT, 3/8 - 16 NYLOK HEX	152505	4
7	SCREW, HEX HD, 3/8 - 16 X 2	153485	4
8	WASHER, 1/2 SPLIT LOCK	153524	2
9	SCREW, 1/2 - 13 X 1 - 1/4 HEX HEAD CAP	153532	4
10	BOLT, HEX, TAP, 1/2 - 13 X 4	153854	1
11	MOUNT, ENGINE	154237	1
12	BUSHING, TPR - LOCK 1210 X 1 - 1/8"	154430	1
13	ELBOW, 1/8 MNPT X 1/4 BARB 90DEG	154652	1
14	PULLEY, 3A30B34 X 1210TB REV	155009	1
15	ASSY, OIL DRAIN, 14MM	157577-03	1
16	GUARD, INNER BELT	165608	1
17	SCREW, 5/16 - 24 X 3/4 HEX HEAD MACHINE	165617	4
18	ENGINE, HONDA GX630	169592	1
19	ASSY, 7" AIR CLEANER	169593	1
20	MUFFLER, HONDA 20HP 621600	169594	1
21	WASHER, 1/2 SAE FLAT	169958	1

FIGURE 15 - ASSY, POINTER - P/N 166465



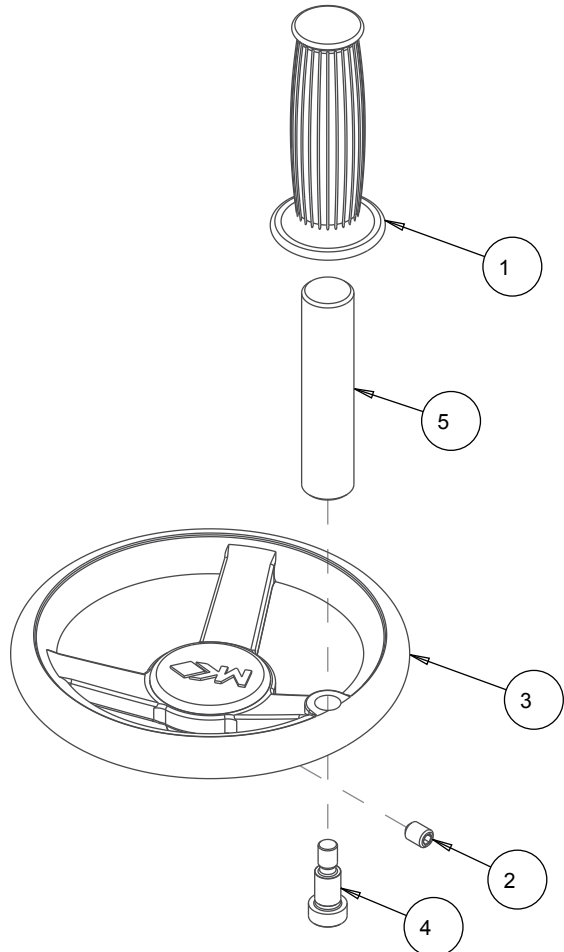
ITEM NO.	DESCRIPTION	PART #	QTY.
1	SCREW, THUMB 1/4 - 20 X 3/4	150991	1
2	WHEEL, POINTER, 3"	155066	1
3	BUSHING, 3/8ID X 1 - 5/8L	155153	1
4	POINTER ARM, CONC SAW	156544	1
5	ASSY, POINTER WHEEL	165238	1

FIGURE 16 - ASSY, WATER VALVE - P/N 153888



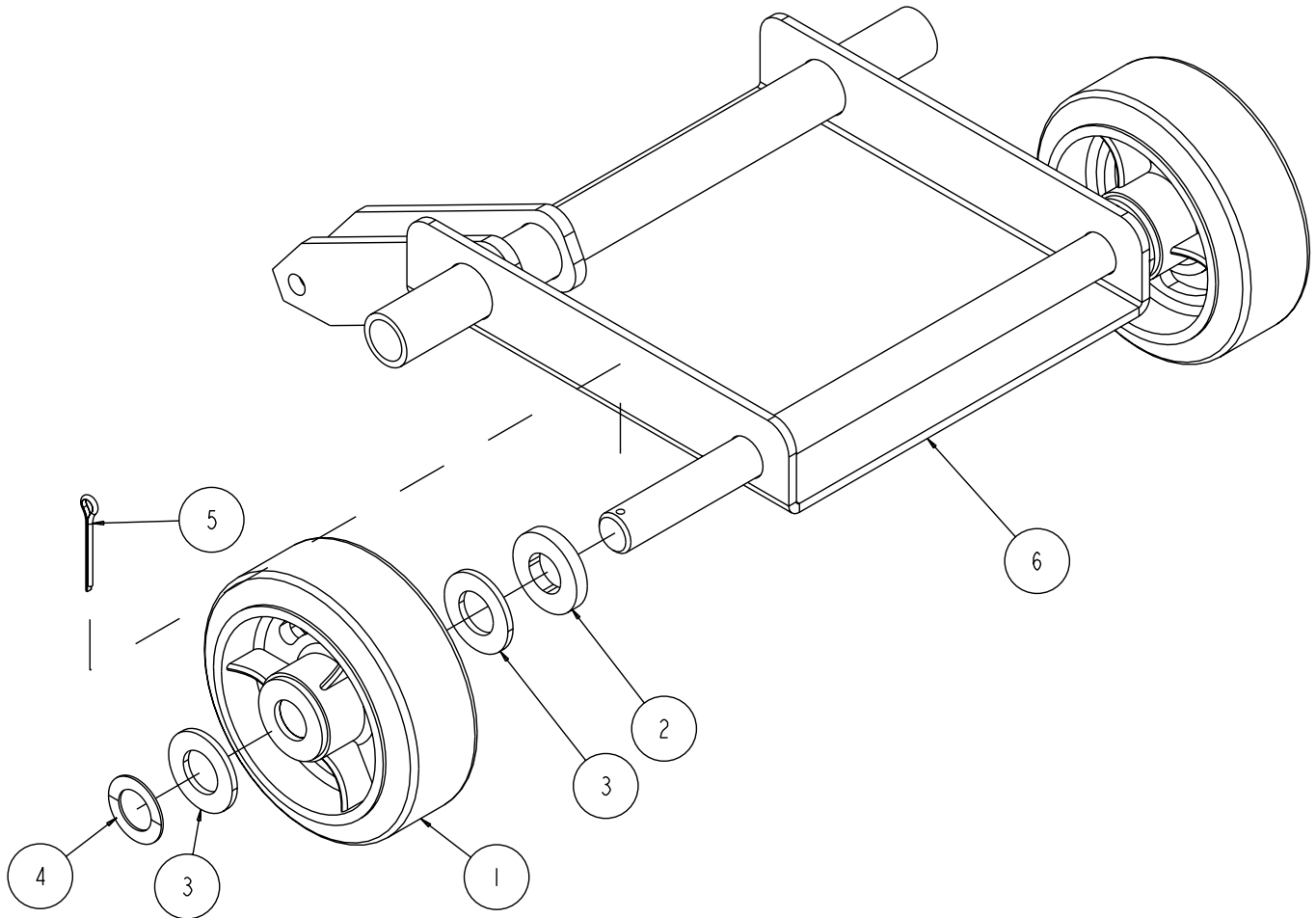
ITEM NO.	DESCRIPTION	PART #	QTY.
1	ELBOW, 1/2 MNPT 90 STREET, GALV	150844	1
2	FITTING, 1/2 MNPT X 3/4 FNH	151322	1
3	FITTING, 1/2 MNPT X 3/8 BARB	153653	1
4	VALVE, BALL 1/2"	153796	1

FIGURE 17 - ASSY, CRANK WHEEL - P/N 155457



ITEM NO.	DESCRIPTION	PART #	QTY.
1	GRIP, HANDLE, 1.0 KD	150842	1
2	SCREW, SET, SOC, CUPT, 3/8-16X/12	153710	1
3	CRANK WHEEL, 3/4-10 - COMP	155156	1
4	SCREW, SHLDR, SOC HD, 1/2X3/4	156177	1
5	HANDLE, CRANK WHEEL	156236	1

FIGURE 18 - ASSY, TRUCK - P/N 169710



ITEM NO.	DESCRIPTION	PART #	QTY.
1	WHEEL, FRONT 5" X 2"W	138537	2
2	SPACER, GUIDE BAR COVER, COMMON	152393	2
3	WASHER, FLAT, SAE, 3/4	153523	4
4	SHIM, .045 THK, .750 ID 1.250 OD	153699	2
5	PIN, COTTER 1/8 X 1-1/2	153861	2
6	TRUCK, FRONT	154231	1

FIGURE 19 - ASSY, WATER PUMP - P/N 172896 (OPTIONAL)

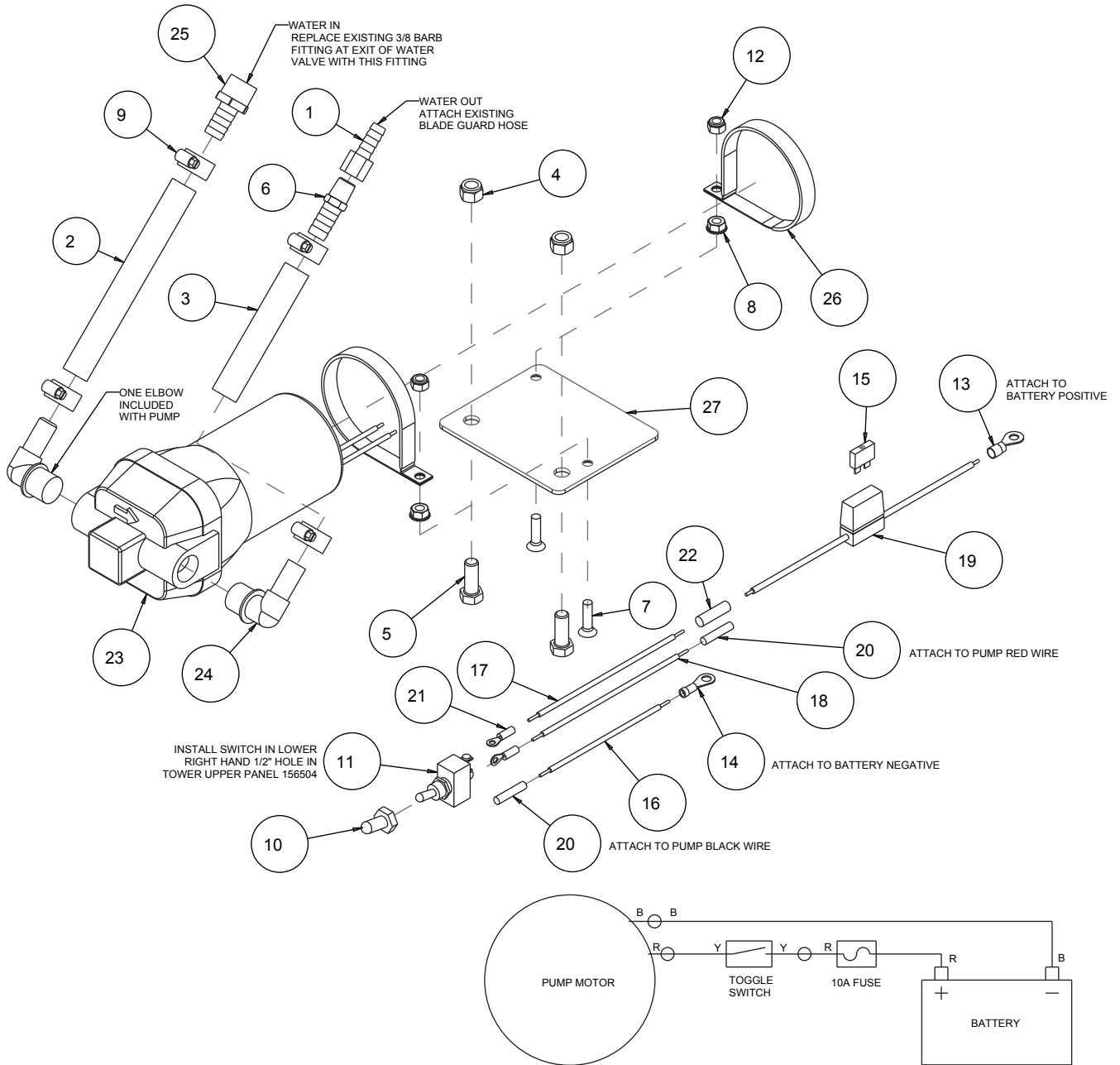


FIGURE 19 - ASSY, WATER PUMP - P/N 172896 (OPTIONAL)

ITEM NO.	DESCRIPTION	PART #	QTY.
1	FITTING, 1/4 FNPT X 3/8 BARB	152077	1
2	HOSE, VINYL, 1/2 X 3/4 (26")	152410	1
3	HOSE, VINYL, 1/2 X 3/4 (4")	152410	1
4	NUT, HEX, NYLK, 3/8-16	152505	2
5	SCREW, HEX HD CAP, 3/8-16 X 1	152507	2
6	FITTING, 1/4 MNPT X 1/2 BARB	152704	1
7	SCREW, FLAT HD. SOC. 1/4-20 X 1"	153894	2
8	NUT, HEX, TW, 1/4-20	153941	2
9	CLAMP, HOSE, 7/8	154173	4
10	COVER, SWITCH	154301	1
11	SWITCH, TOGGLE 15A/120V 1 PST	156649	1
12	NUT, HEX, NYLK, 1/4-20	159857	2
13	TERMINAL, 12-10 X 1/4 RING PI	152471	1
14	TERMINAL, 16-14 X 1/4 RING PI	162538	1
15	FUSE, 10A ATC BLADE	164597	1
16	WIRE, 14GA BLACK AWN, 24"	168519	1
17	WIRE, 1015, 14GA YELLOW, 26"	168521	1
18	WIRE, 1015, 14GA YELLOW, 52"	168521	1
19	FUSEHOLDER, INLINE, ATC	168973	1
20	TERMINAL, 16-14 BUTT SPLICE	169436	2
21	TERMINAL, 16-14 X #8 RING PI	169440	2
22	TERMINAL, 12-10 BUTT SPLICE	169441	1
23	PUMP, WATER, DIAPHRAGM, 12VDC	170389	1
24	ELBOW, FJ PORT X 1/2 BARB	170390	1
25	FITTING, 1/2 MNPT X 1/2 BARB	170396	1
26	CLAMP, CUSHION LOOP, 3	170398	2
27	PLATE, FLOJET WP, 4000	170521	1
28	SHEET, INSTRUCTION, 20/24 SERIES WATER PUMP KIT	172896-IS	1