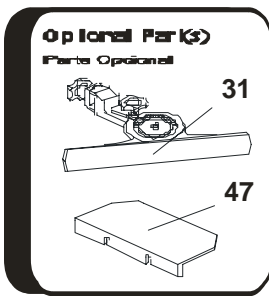
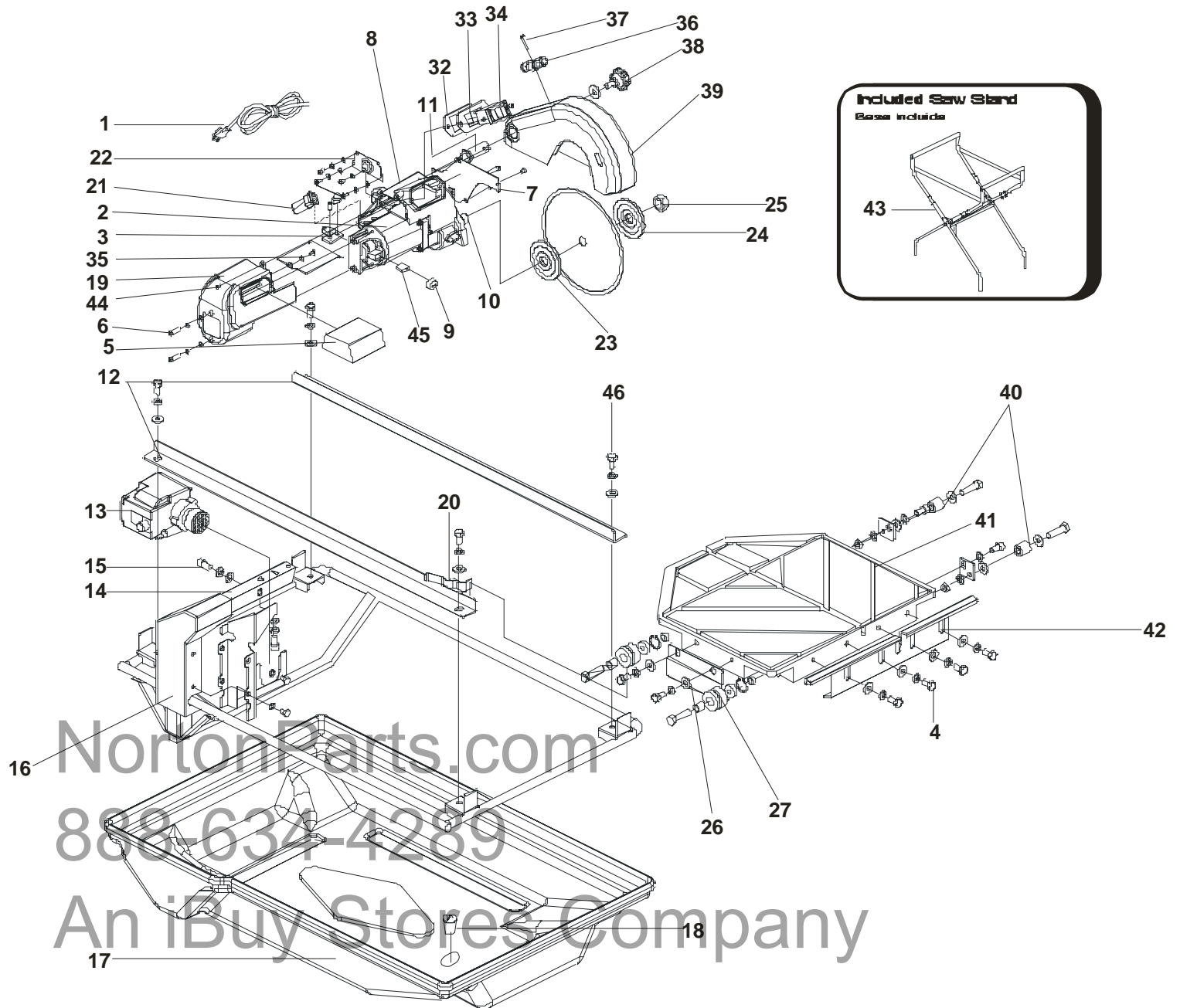
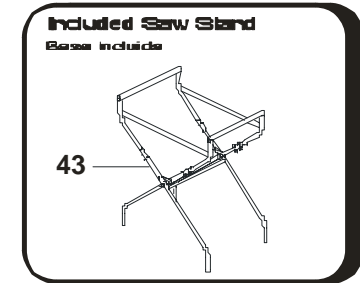
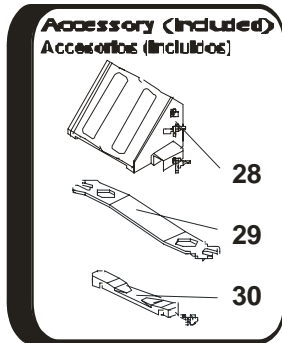


CTC705E SAW EXPLODED VIEW

CTC705E DIAGRAMA DE LA SIERRA



NortonParts.com
 888-634-4289
 An iBuy Stores Company

REPLACEMENT PARTS LIST

CTC705E SERIES

	<i>PART NAME</i>	<i>PART No.</i>
1	Power Cable	234001
2	Motor Housing complete with Field Windings & Armature	234050
3	Bracket	234051
4	Bolts, Washers, Lock Washers (set of 4)	234052
5	Air Filter	234053
6	Phillips Screws, Washers, Lock Washers (set of 3)	234054
7	Wire Protection Cover	234055
8	Switch Housing	234056
9	Brush Cap	234075
10	Blade Shaft	234058
11	Pivoting Mount	234059
12	Sliding Rails (set of 2)	234012
13	Water Pump	234013
14	Motor Support Shaft	234060
15	Hex Screw, Washer, Lock Washer, Knobs (set of 3)	234061
16	Rear Support Post (includes Metal Frame)	234063
17	Polypropylene Water Tray	234064
18	Drain Plug	234048
19	Motor Air In-Take Cover	234065
20	Table Bracket Spring Clip	234042-1
21	Power Cable Grommet	235041
22	Switch Housing Cover	234067
23	Inner Flange	234023
24	Outer Flange	234024
25	Blade Lock Nut	233017
26	Cutting Table Position Bracket	235034
27	U-Shape Ball Bearing Rollers (set of 2)	234027
28	Miter Block (Metal)	234028
29	Universal Wrench	233041
30	45° /90° Rip Guide	234030
31	180° Adjustable Angle Guide (Optional)	233043
32	Panel Rubber Gasket	234068
33	Power Switch Panel	234069
34	On & Off Switch	234070
35	Air Filter Cover	234071
36	Water-Flow "T" Adapter	233019
37	Water-Flow "L" Adapter	233045
38	Blade Guard Adjustment Knob	234039

An iBuy Stores Company

	<i>PART NAME</i>	<i>PART No.</i>
39	Blade Guard	234077
40	Angle Bar Roller (set of 2)	233025
41	Cutting Table w/ Wheels & Ruler Guide	234079
42	Ruler Guide	234080
43	Folding Stand	234081
44	Philips Screw	234073
45	Carbon Brushes (set of 2)	234074
46	Bolts, Washers, Lock Washers (set of 4)	234076
47	Side Extension Table	233036

NortonParts.com
888-634-4289
An iBuy Stores Company