

**PARTS MANUAL**



**WHISPERWATT™ SERIES  
MODEL DCA220SSJU4F  
60Hz GENERATOR  
(JOHN DEERE 6068HFG09 DIESEL ENGINE)**

**PARTS LIST NO. M5871300204F**

Revision #4 (09/24/21)



**THIS MANUAL MUST ACCOMPANY THE EQUIPMENT AT ALL TIMES.**

## DCA220SSJU4F 60Hz Generator

Explanation Of Code In Remarks Column.....	4
Suggested Spare Parts .....	5

### Component Drawings

Generator Assembly .....	6–9
Control Panel Assembly (ECU 835) .....	10–11
Control Panel Assembly (Basler DGC2020HD Option) .....	12–13
Control Box Assembly .....	14–17
Control Box Assembly (Basler Option) .....	18–19
Ethernet Cable Assembly (Basler Option) .....	20–21
Engine And Radiator Assembly .....	22–25
Output Terminal Assembly .....	26–29
Camlok Panel Assembly (Option) .....	30–31
Battery Assembly .....	32–33
Muffler Assembly .....	34–37
DEF Tank Assembly .....	38–41
Fuel Tank Assembly .....	42–43
Enclosure 1 Assembly .....	44–47
Enclosure 2 Assembly .....	48–49
Rubber Seals Assembly .....	50–51
Water Heating Element Assembly (Option) .....	52–53
Battery Charger Assembly (Option) .....	54–55
Nameplate And Decals Assembly .....	56–59

#### **NOTICE**

Specifications and part numbers are subject to change without notice.

# EXPLANATION OF CODE IN REMARKS COLUMN

The following section explains the different symbols and remarks used in the Parts section of this manual. Use the help numbers found on the back page of the manual if there are any questions.

## NOTICE

The contents and part numbers listed in the parts section are subject to change **without notice**. Multiquip does not guarantee the availability of the parts listed.

## SAMPLE PARTS LIST

NO.	PART NO.	PART NAME	QTY.	REMARKS
1	12345	BOLT .....	1	INCLUDES ITEMS W/%
2%		WASHER, 1/4 IN. ....		NOT SOLD SEPARATELY
2%	12347	WASHER, 3/8 IN. ...	1	MQ-45T ONLY
3	12348	HOSE .....	A/R	MAKE LOCALLY
4	12349	BEARING .....	1	S/N 2345B AND ABOVE

## NO. Column

**Unique Symbols** — All items with same unique symbol (@, #, +, %, or >) in the number column belong to the same assembly or kit, which is indicated by a note in the “Remarks” column.

**Duplicate Item Numbers** — Duplicate numbers indicate multiple part numbers, which are in effect for the same general item, such as different size saw blade guards in use or a part that has been updated on newer versions of the same machine.

## NOTICE

When ordering a part that has more than one item number listed, check the remarks column for help in determining the proper part to order.

## PART NO. Column

**Numbers Used** — Part numbers can be indicated by a number, a blank entry, or TBD.

TBD (To Be Determined) is generally used to show a part that has not been assigned a formal part number at the time of publication.

A blank entry generally indicates that the item is not sold separately or is not sold by Multiquip. Other entries will be clarified in the “Remarks” Column.

## QTY. Column

**Numbers Used** — Item quantity can be indicated by a number, a blank entry, or A/R.

A/R (As Required) is generally used for hoses or other parts that are sold in bulk and cut to length.

A blank entry generally indicates that the item is not sold separately. Other entries will be clarified in the “Remarks” Column.

## REMARKS Column

Some of the most common notes found in the “Remarks” Column are listed below. Other additional notes needed to describe the item can also be shown.

**Assembly/Kit** — All items on the parts list with the same unique symbol will be included when this item is purchased.

Indicated by:

“INCLUDES ITEMS W/(unique symbol)”

**Serial Number Break** — Used to list an effective serial number range where a particular part is used.

Indicated by:

“S/N XXXXX AND BELOW”

“S/N XXXX AND ABOVE”

“S/N XXXX TO S/N XXX”

**Specific Model Number Use** — Indicates that the part is used only with the specific model number or model number variant listed. It can also be used to show a part is NOT used on a specific model or model number variant.

Indicated by:

“XXXXX ONLY”

“NOT USED ON XXXX”

**“Make/Obtain Locally”** — Indicates that the part can be purchased at any hardware shop or made out of available items. Examples include battery cables, shims, and certain washers and nuts.

**“Not Sold Separately”** — Indicates that an item cannot be purchased as a separate item and is either part of an assembly/kit that can be purchased, or is not available for sale through Multiquip.

## SUGGESTED SPARE PARTS

### DCA220SSJU4F WHISPERWATT GENERATOR WITH JOHN DEERE 6068HFG09 DIESEL ENGINE

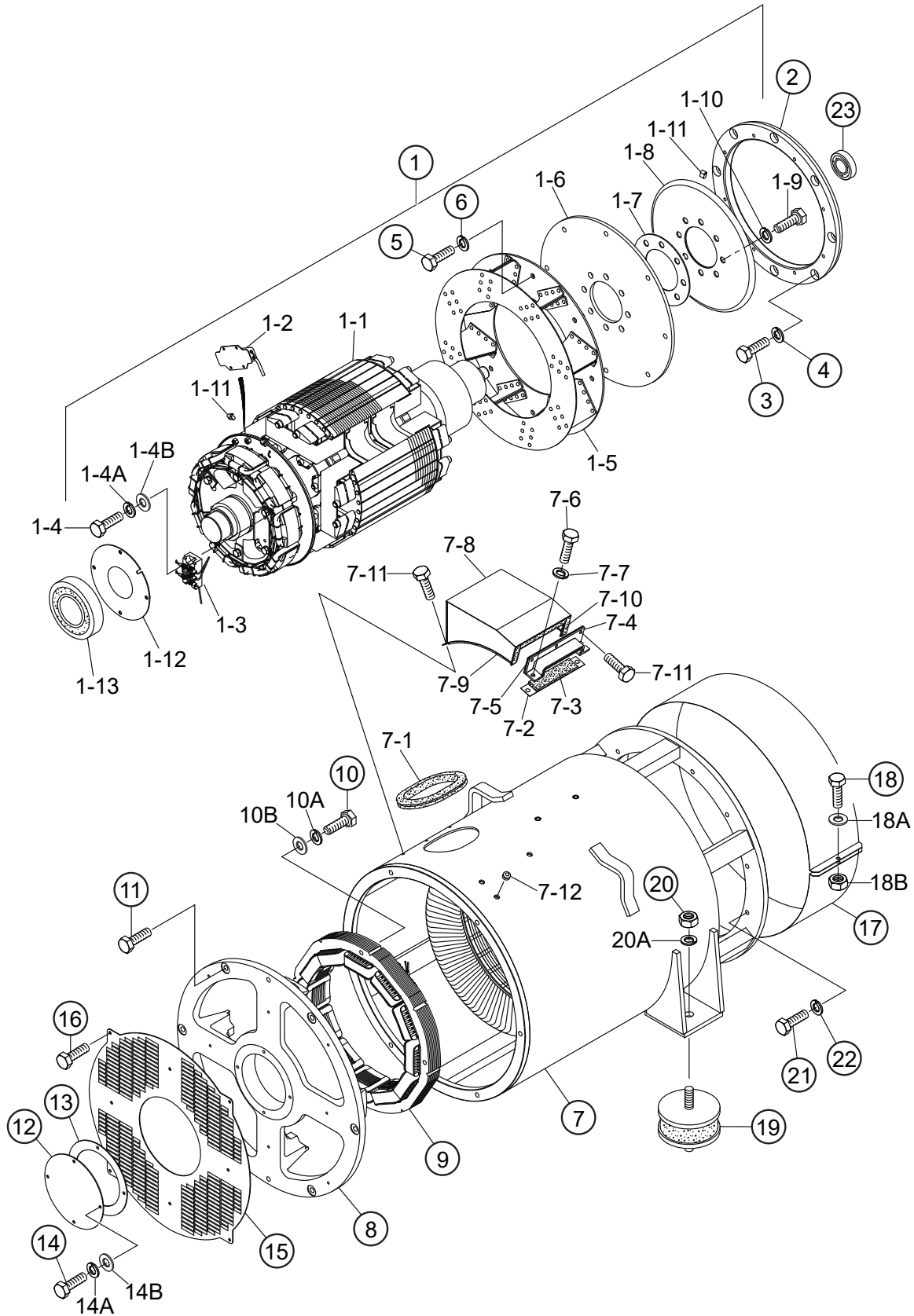
#### 1 TO 3 UNITS

Qty.	P/N	Description
2	M3311500503	HOSE, RADIATOR, UPPER
2	M3311500603	HOSE, RADIATOR, LOWER
3	R529383	BELT, FAN
1	RE556406	FUEL FILTER KIT PRIMARY/SECONDARY
6	RE539279	FILTER, OIL CARTRIDGE
3	P537876	ELEMENT AIR CLEANER PRIMARY
3	P537877	ELEMENT AIR CLEANER SAFETY
1	0601814013	CIRCUIT BREAKER 1P 20A
1	0601814014	CIRCUIT BREAKER 2P 50A
2	LY2DUS12VDC	RELAY
1	0601806643	FUSE, 15A
1	Y0601806647	FUSE, 25A

#### NOTICE

Part number on this Suggested Spare Parts list may supersede/replace the P/N shown in the text pages of this book.

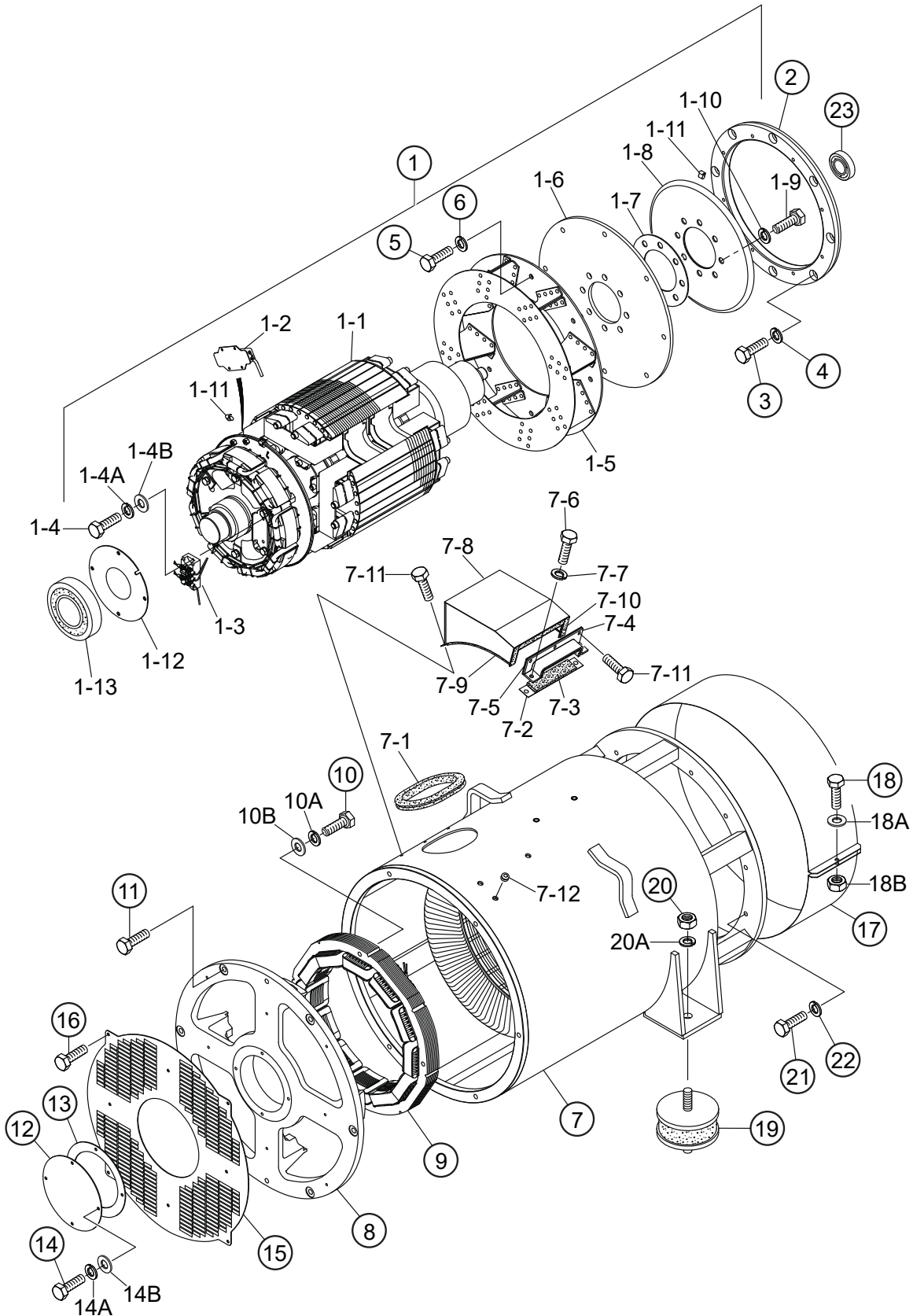
# GENERATOR ASSY.



# GENERATOR ASSY.

<u>NO.</u>	<u>PART NO.</u>	<u>PART NAME</u>	<u>QTY.</u>	<u>REMARKS</u>
1	C1110000102	ROTOR ASSY. ....	1.....	INCLUDES ITEMS W/%
1-1%		FIELD ASSY.	1	
1-2%	0601842334	RESISTOR, 80W, 100 OHM	1	
1-3%	0601823282	RECTIFIER	1	
1-4%	0018205020	HEX. SOCKET HEAD CAP SCREW	2	
1-4A%	0032005000	WASHER, LOCK.....	2.....	REPLACES P/N 0040005000
1-4B%	Y004120500	WASHER, FLAT	2	
1-5%	8171070002	FAN	1	
1-6%	8171611003	COUPLING DISK	9	
1-7%	C1164200004	WASHER, COUPLING HUB	1	
1-8%	8171015003	BALANCING PLATE .....	1.....	ITEM 1-11 MUST BE ORDERED WHEN REPLACING ITEM 1-8
1-9%	0012116045	HEX. HEAD BOLT	8	
1-10%	0042616000	WASHER, LOCK	8	
1-11%	0601000209	BALANCING WEIGHT KIT	1	
1-12%	C1112500004	BEARING FLANGE	1	
1-13%	0071906314	BEARING	1	
2	M4163400003	COUPLING RING	1	
3	0343206120	HEX. HEAD BOLT	8	
4	0043606000	WASHER, LOCK	8	
5	0012112040	HEX. HEAD BOLT	8	
6	0042512000	WASHER, LOCK	8	
7	C1130100103	STATOR ASSY. ....	1.....	INCLUDES ITEMS W/#
7-1#	0226100420	RUBBER SEAL	1	
7-2#	8171323004	CLAMPER	1	
7-3#	0223300120	RUBBER SEAL	1	
7-4#	8171323103	CLAMPER	1	
7-5#	Y0223100150	RUBBER SEAL	1	
7-6#	0010110035	HEX. HEAD BOLT	2	
7-7#	031110160	WASHER, FLAT .....	2.....	REPLACES P/N 0041210000
7-8#	C1132200003	COVER	1	
7-9#	0226000510	RUBBER SEAL	2	
7-10#	0225000470	RUBBER SEAL	1	
7-11#	0017106016	HEX. HEAD BOLT	6	
7-12	0601850144	GROMMET	1	
8	C1154000002	END BRACKET	1	
9	C1138000003	FIELD ASSY., EXCITER	1	
10	0012110065	HEX. HEAD BOLT	4	
10A	0042610000	WASHER, LOCK	4	
10B	031110160	WASHER, FLAT .....	4.....	REPLACES P/N 0041210000

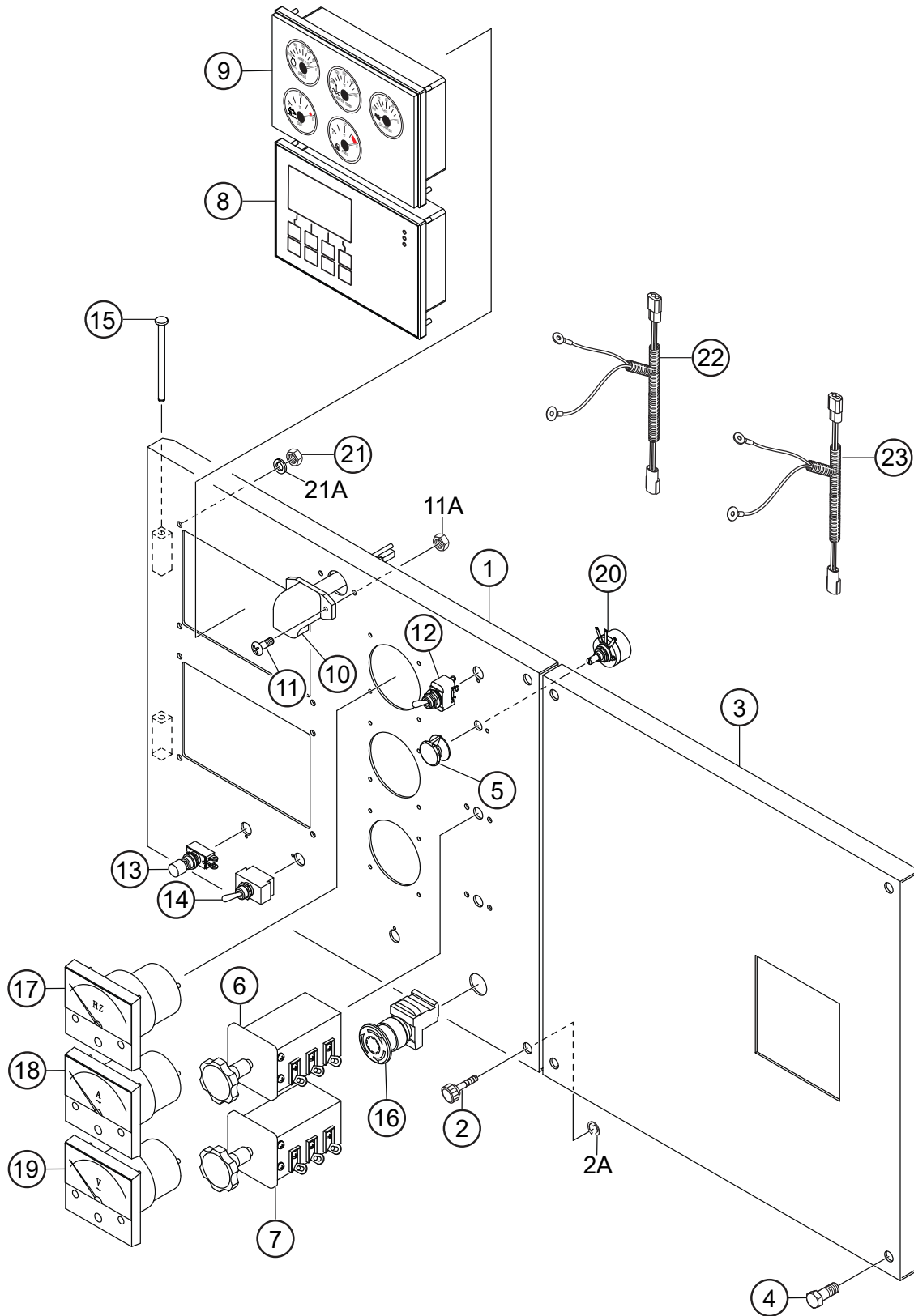
# GENERATOR ASSY. (CONT'D.)



## GENERATOR ASSY. (CONT'D.)

<u>NO.</u>	<u>PART NO.</u>	<u>PART NAME</u>	<u>QTY.</u>	<u>REMARKS</u>
11	0017112045	HEX. HEAD BOLT	6	
12	C1154400004	COVER, BEARING	1	
13	C1154300004	GASKET, BEARING	1	
14	0010106060	HEX. HEAD BOLT	4	
14A	0040006000	WASHER, LOCK	4	
14B	952404470	WASHER, FLAT .....	4.....	REPLACES P/N 0041206000
15	C1154400103	SUCTION COVER	1	
16	0017106016	HEX.. HEAD BOLT	8	
17	C1132300114	COVER, FAN	1	
18	0010006030	HEX. HEAD BOLT .....	1.....	REPLACES P/N 0010106030
18A	952404470	WASHER, FLAT .....	1.....	REPLACES P/N 0041206000
18B	020106050	NUT.....	1.....	REPLACES P/N 0600815000
19	0605000012	RUBBER SUSPENSION	2	
20	0030020000	HEX. NUT	4	
20A	030220510	WASHER, LOCK.....	4.....	REPLACES P/N 0040020000
21	012010030	HEX. HEAD BOLT.....	12.....	REPLACES P/N 0012110030
22	030210250	WASHER, LOCK.....	12.....	REPLACES P/N 0042510000
23	0070506307	BEARING	1	

# CONTROL PANEL ASSY. (ECU 835)



## CONTROL PANEL ASSY. (ECU 835)

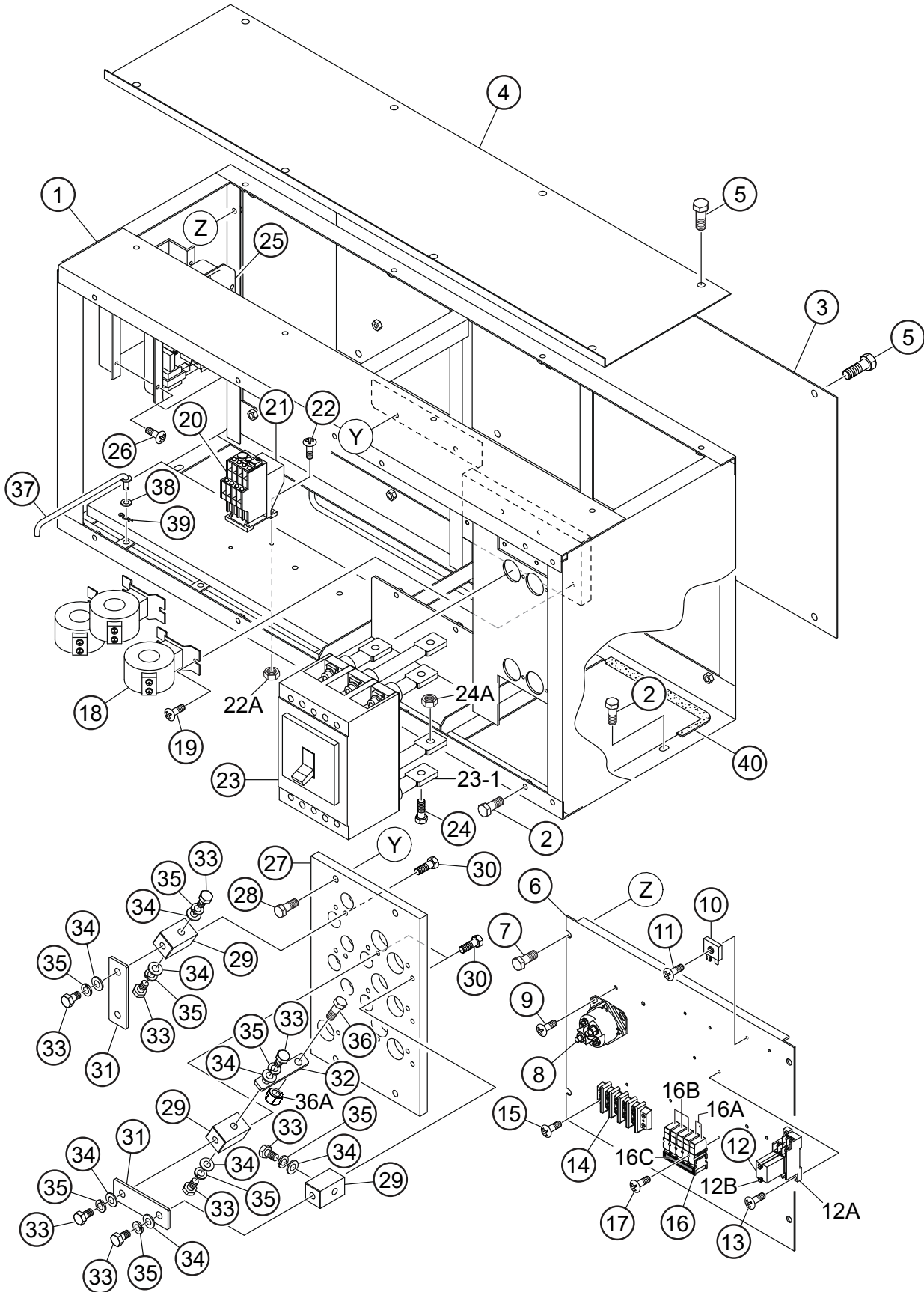
<u>NO.</u>	<u>PART NO.</u>	<u>PART NAME</u>	<u>QTY.</u>	<u>REMARKS</u>
1	M4223000503	CONTROL PANEL	1	
2	M9220100004	SET SCREW	2	
2A	0080200007	E-RING	2	
3	M4223000604	CONTROL PANEL	1	
4	0017108040	HEX. HEAD BOLT	4	
5	0601840100	KNOB.....	1.....	REPLACES P/N 0601840121
6	0601801040	CHANGE-OVER SWITCH, AMMETER	1	
7	0601801041	CHANGE-OVER SWITCH, VOLTMETER	1	
8	Y0602202651	ECU CONTROLLER	1	
9	Y0602120569	GAUGE UNIT ASSY.	1	
10	Y0601810170	PANEL LIGHT, 12V	1	
11	0027104020	MACHINE SCREW	2	
11A	OEMAA8	HEX. NUT .....	2.....	REPLACES P/N 0207004000
12	0601830710	PANEL LIGHT SWITCH	1	
13	0601831205	PUSH BUTTON	1	
14	82608	TOGGLE SWITCH.....	1.....	REPLACES P/N 0601831340
15	0605011211	PIN	2	
16	0601831557	EMERGENCY STOP BUTTON	1	
17	0601807642	FREQUENCY METER 45~65HZ 240V	1	
18	0601808992	AC AMMETER 0~400A/800A:5A	1	
19	0601800275	AC VOLTMETER 0-600	1	
20	0601840073	VOLT. REG., 20A, 1K	1	
21	Y0206707000	HEX. NUT	8	
21A	Y0044807000	WASHER, LOCK	8	
22	M4246700604	WIRE HARNESS, GENERATOR.....	1.....	S/N 8010902 AND BELOW
22	M4246700614	WIRE HARNESS, GENERATOR.....	1.....	S/N 8010903 AND ABOVE
23	M5358200302	WIRE HARNESS, ENGINE .....	1.....	S/N 8011012 AND BELOW
23	M4358200002	WIRE HARNESS, ENGINE .....	1.....	S/N 8011013 AND ABOVE



## **CONTROL PANEL ASSY. (BASLER DGC2020HD OPTION)**

<b>NO.</b>	<b>PART NO.</b>	<b>PART NAME</b>	<b>QTY.</b>	<b>REMARKS</b>
1	EE59231	PANEL ASSY., PARALLELING, DGC2020HD ...	1	INCLUDES ITEMS W/%
2%	EE59122	PANEL, PARALLEL, BASLER DGC2020HD	1	
3%	EE59259	CONTROLLER, DGC2020HD, COLOR	1	
4%	EE59123	DECAL, PARALLEL, BASLER 2020HD	1	
5%	EE55761	LIGHT, PANEL, LED POWERED, 12-36VDC	2	
6%	EE2115	POTENTIOMETER, 5K OHM .....	1	INCLUDES ITEMS W/#
7%#	EE9949	NUT, SHAFT LOCK, POTENTIOMETER	1	
8%	EE2591	SWITCH, TOGGLE, SPST	2	
9%	EE57855	SWITCH, E-STOP, RED, 24V LED	1	
10%	EE52893	BEZEL EMERG. STOP YELLOW PLASTIC	1	
11%	EE23374	PUSHBUTTON, SWITCH (GREEN)	1	
11A%	EE39554	LED, 12V GREEN	1	
12%	EE23375	PUSHBUTTON, SWITCH (RED)	1	
12A%	EE5895	LED, 12V, RED	1	

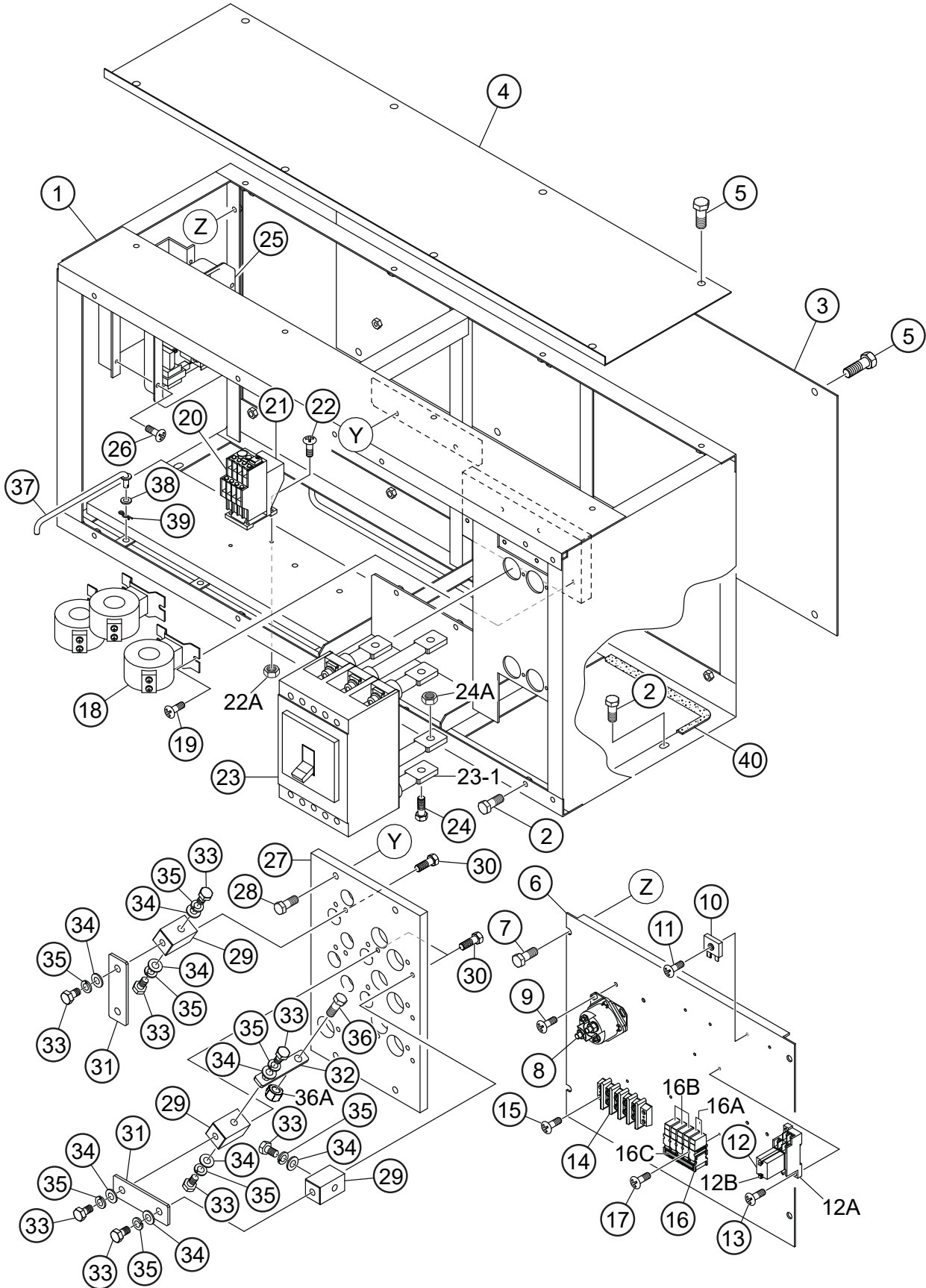
# CONTROL BOX ASSY.



## CONTROL BOX ASSY.

<u>NO.</u>	<u>PART NO.</u>	<u>PART NAME</u>	<u>QTY.</u>	<u>REMARKS</u>
1	M4213000212	CONTROL BOX .....	1.....	S/N 8010902 AND BELOW
1	M4213000222	CONTROL BOX .....	1.....	S/N 8010903 AND ABOVE
2	011008020	HEX. HEAD BOLT .....	14.....	REPLACES P/N 0016908020
3	M5214400304	BACK PANEL	1	
4	M4213500104	UP PANEL	1	
5	011008020	HEX. HEAD BOLT .....	16.....	REPLACES P/N 0016908020
6	M3261500003	SET PANEL	1	
7	011008020	HEX. HEAD BOLT .....	4.....	REPLACES P/N 0016908020
8	Y0602201458	STARTER RELAY	1	
9	011808015	MACHINE SCREW .....	2.....	REPLACES P/N 0027106015
10	0601821370	RECTIFIER DE-45.....	1.....	REPLACES P/N 0601823240
11	0027104020	MACHINE SCREW	1	
12	LY2DUS12VDC	RELAY, DC12V .....	1.....	REPLACES P/N 0601827656
12A	PTF08A	RELAY BASE .....	1.....	REPLACES P/N 0601823109
12B	PYCA1	RELAY CLIP .....	2.....	REPLACES P/N 0601824400
13	0027104020	MACHINE SCREW	2	
14	0601815153	TERMINAL BLOCK	1	
15	0027104020	MACHINE SCREW	2	
16	M5214600004	FUSE HOLDER ASSY	1	
16A	0601806643	FUSE, 15A	2	
16B	Y0601806647	FUSE, 25A	3	
16C	M9501400304	DECAL: FUSE HOLDER.....	1.....	M90140030
17	Y0027203035	MACHINE SCREW	2	
18	0601809667	CURRENT TRANSFORMER	3	
19	011206020	MACHINE SCREW .....	6.....	REPLACES P/N 0027106020
20	0601820847	OVER CURRENT RELAY .....	1.....	S/N 8010902 AND BELOW
20	Y0601820843	OVER CURRENT RELAY .....	1.....	S/N 8010903 AND ABOVE
21	0601820848	OVER CURRENT RELAY BASE .....	1.....	S/N 8010902 AND BELOW
21	Y0601820844	OVER CURRENT RELAY BASE .....	1.....	S/N 8010903 AND ABOVE
22	0027104020	MACHINE SCREW	2	
22A	OEMAA8	HEX. NUT .....	2.....	REPLACES P/N 0207004000
23	Y0601807533	CIRCUIT BREAKER 3P, 600A	1	
23-1	Y0601827412	REAR TERMINAL BUSBAR (SET)	2	
24	014210040	HEX. HEAD BOLT .....	6.....	REPLACES P/N 0017110040
24A	021112140	SELF-LOCKING NUT .....	6.....	REPLACES P/N 0207010000
25	0601820604	AUTOMATIC VOLTAGE REGULATOR	1	
26	0027105015	MACHINE SCREW	4	
27	M4273000003	TERM. BRD., VOLTAGE CHANGE-OVER	1	
28	011208030	HEX. HEAD BOLT .....	4.....	REPLACES P/N 0016908030
29	8181852104	CHANGE TERMINAL.....	10.....	REPLACES P/N M4276400004
30	011606025	HEX. HEAD BOLT .....	20.....	REPLACES P/N 0016906025

# CONTROL BOX ASSY. (CONT'D.)

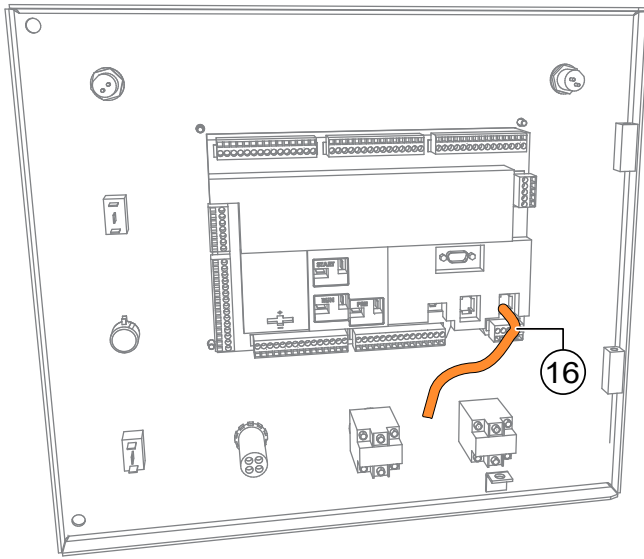


## CONTROL BOX ASSY. (CONT'D.)

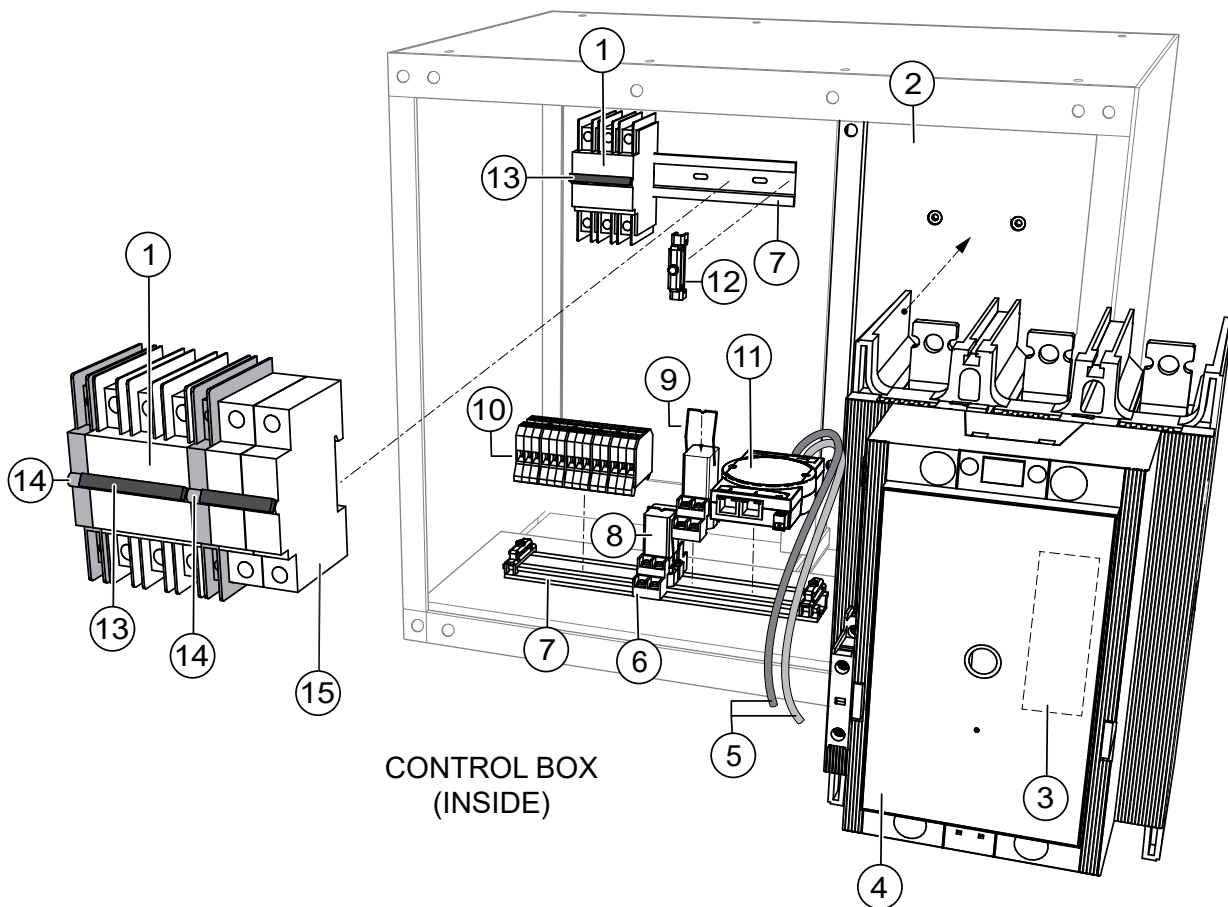
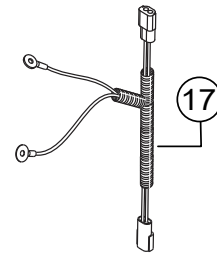
---

<u>NO.</u>	<u>PART NO.</u>	<u>PART NAME</u>	<u>QTY.</u>	<u>REMARKS</u>
31	8181853104	CHANGE-OVER PLATE .....	6.....	REPLACES P/N M4276300004
32	M4276200004	CHANGE PLATE	3	
33	012210020	TIE BOLT .....	26.....	REPLACES P/N M9220100104
34	0041410000	WASHER, FLAT	26	
35	0040010000	WASHER, LOCK	26	
36	014210040	HEX. HEAD BOLT.....	3.....	REPLACES P/N 0017110040
36A	021112140	SELF-LOCKING NUT .....	3.....	REPLACES P/N 0207010000
37	M4213600104	STOPPER, CONTROL PANEL	1	
38	952404470	WASHER, FLAT .....	1.....	REPLACES P/N 0041206000
39	505015300	SNAP PIN .....	1.....	REPLACES P/N 0605010502
40	Y0411100250	EDGE TRIM	1	

# CONTROL BOX ASSY. (BASLER OPTION)



BASLER CONTROL PANEL  
(REAR)



CONTROL BOX  
(INSIDE)

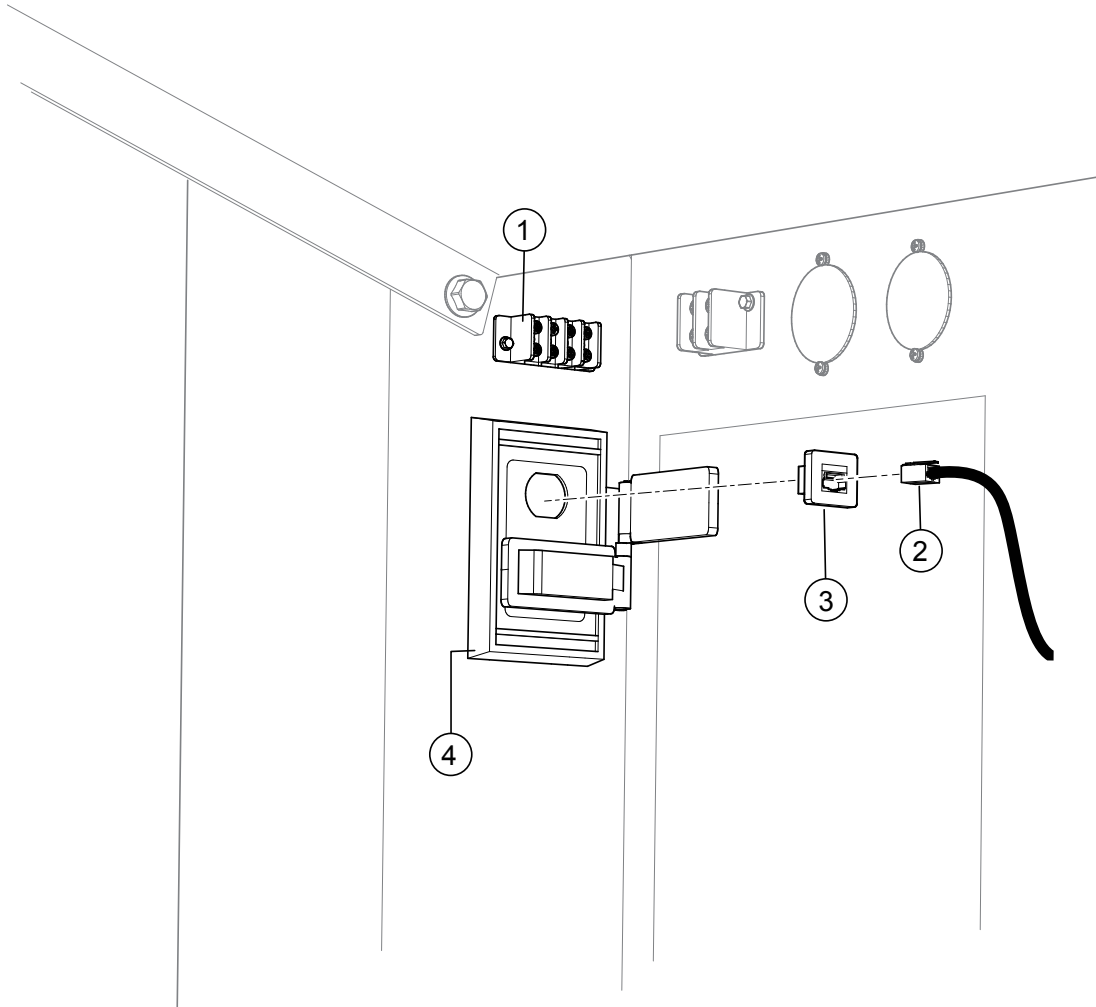
## **CONTROL BOX ASSY. (BASLER OPTION)**

---

<u>NO.</u>	<u>PART NO.</u>	<u>PART NAME</u>	<u>QTY.</u>	<u>REMARKS</u>
1	EE55784	CIRCUIT BREAKER (ABB), 3P, 10A, 480V	2	
2	EE59124	BRACKET, CONTACTOR	1	
3	EE56647	SWITCH (ABB), AUX/BELL	1	
4	EE59127	CONTACTOR (ABB), 650A, 100-250V	1	
5	EE50312	CABLE, ETHERNET, 10FT	2	
6	EE26385	RELAY BASE	2	
7	EE10071	RAIL, DIN, ALUM, .413" X 1.37" X 36"	1	
8	EE58130	RELAY, DC12V	2	
9	EE26135	RELAY CLIP	2	
10	EE26112	BLOCK, TERMINAL 14 POS.	1	
11	EE58065	ETHERNET SWITCH, 5 PORT 10-30VDC	1	
12	EE2940	END STOP, DIN RAIL	4	
13	EE32611	JUMPER, 3-POLE	2	
14	EE55785	SWITCH (ABB), AUX	2	
15	EE38585	CIRCUIT BREAKER (ABB), 2-POLE, 10A	1	
16	EE56188	CABLE, ETHERNET, ORANGE, 3 FT	1	
17	EE59200	HARNESS, PARALLELING	1	

# ETHERNET CABLE ASSY. (BASLER OPTION)

---

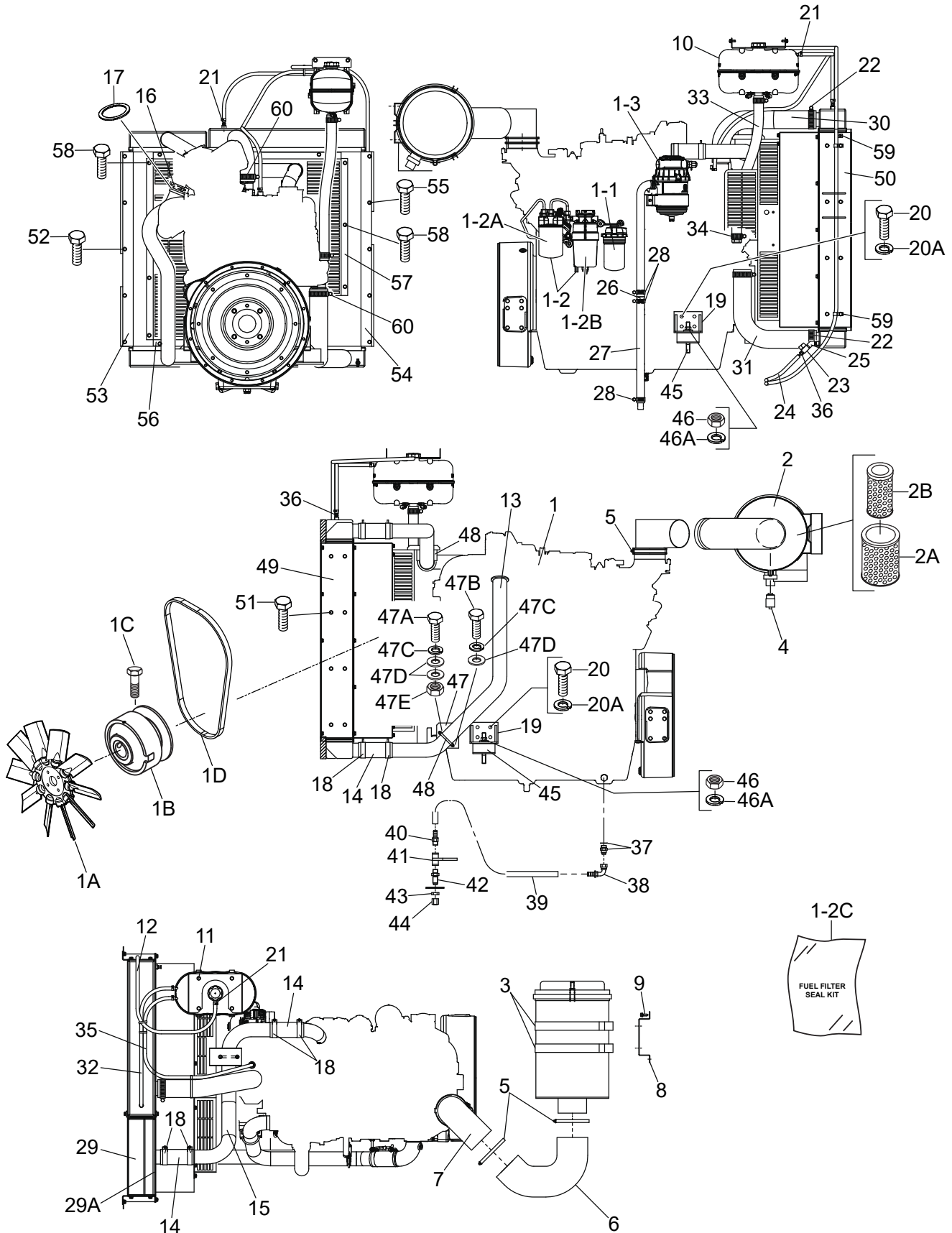


## **ETHERNET CABLE ASSY. (BASLER OPTION)**

---

<u>NO.</u>	<u>PART NO.</u>	<u>PART NAME</u>	<u>QTY.</u>	<u>REMARKS</u>
1	EE59027	TERMINAL BLOCK, 4-POS.	1	
2	EE55780	CABLE, ETHERNET CAT5E SHIELDED.....	1.....	50 FT
3	EE55760	JACK, FEEDTHROUGH, RJ45, CAT5E	2	
4	EE58796	COVER, NONMETALLIC, WEATHERPROOF	1	

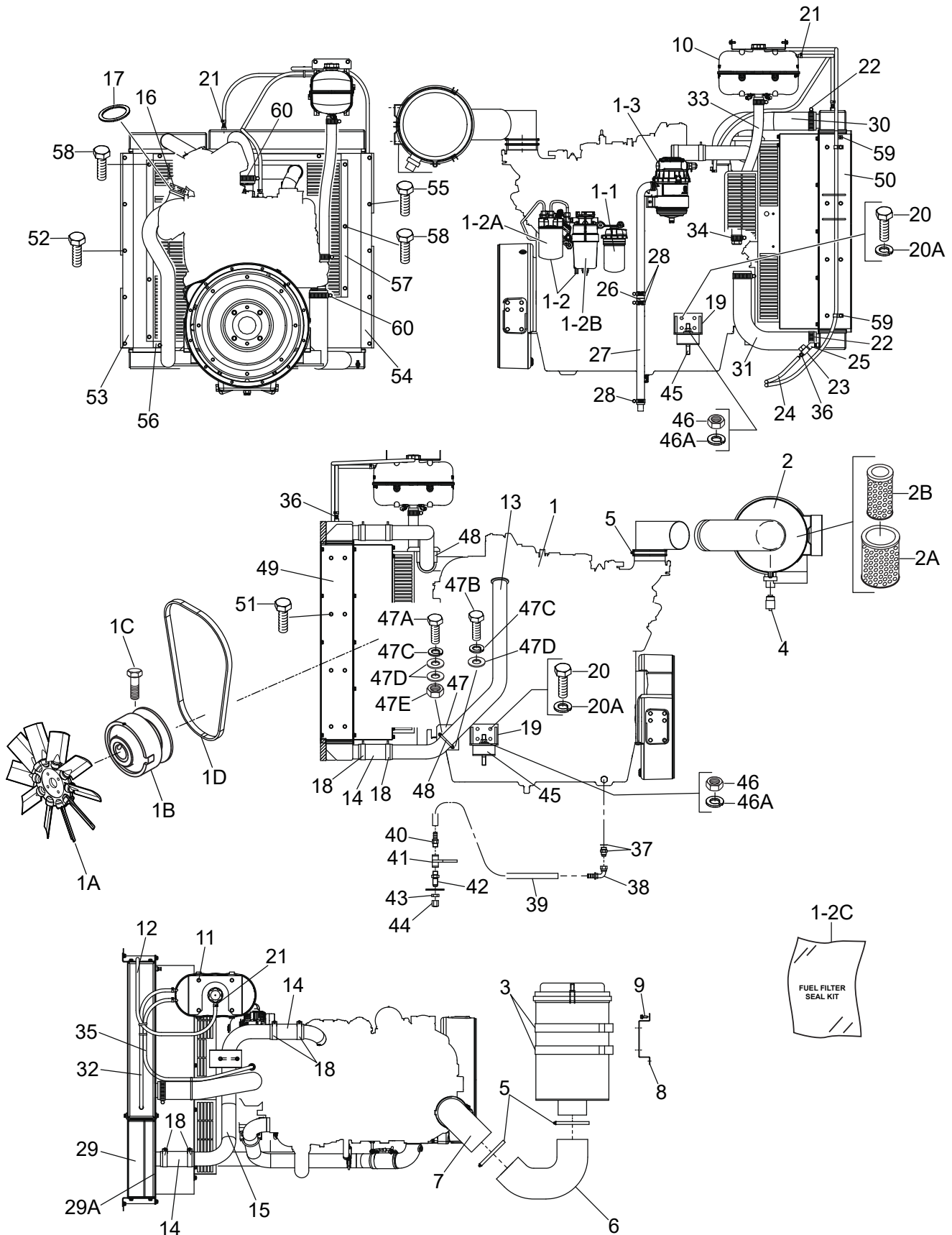
# ENGINE AND RADIATOR ASSY.



## ENGINE AND RADIATOR ASSY.

<b>NO.</b>	<b>PART NO.</b>	<b>PART NAME</b>	<b>QTY.</b>	<b>REMARKS</b>
1	M5924200014	ENGINE, JOHN DEERE 6068HFG09 .....	1	S/N 8011012 AND BELOW
1	M4924200004	ENGINE, JOHN DEERE 6068HFG09 .....	1	S/N 8011013 AND ABOVE
1A	RE555046	ENGINE FAN .....	1	REPLACES P/N Y0602060030
1B	RE544293	FAN CLUTCH, 12V .....	1	REPLACES P/N Y0602061100
1C	Y0602060501	CAP SCREW	1	
1D	R529383	FAN BELT .....	1	REPLACES P/N Y0602015207
1-1	RE539279	CARTRIDGE, OIL FILTER	1	
1-2	RE556406	FUEL FILTER KIT, PRIMARY/SECONDARY .....	1	REPLACES P/N Y0602042599
				S/N 8011012 AND BELOW
1-2A	RE551507	FUEL FILTER, PRIMARY .....	1	REPLACES P/N Y0602042800
				S/N 8011013 AND ABOVE
1-2B	RE560681	FUEL FILTER, SECONDARY .....	1	REPLACES P/N Y0602042801
				S/N 8011013 AND ABOVE
1-2C	RE562696	SEAL KIT, FUEL FILTER .....	2	REPLACES P/N Y0602042603
				S/N 8011013 AND ABOVE
1-3	RE553703	CARTRIDGE, BLOWBY FILTER .....	1	REPLACES P/N Y0602044231
2	0602046586	AIR CLEANER	1	
2A	P537876	ELEMENT, PRIMARY .....	1	REPLACES P/N 0602046682
2B	0602046683	ELEMENT, SAFETY	1	
3	0602040558	AIR CLEANER BAND	2	
3A	011208025	HEX. HEAD BOLT .....	4	REPLACES P/N 0016908025
3B	020108060	SELF-LOCK NUT .....	4	REPLACES P/N 0207008000
4	0602040650	AIR CLEANER INDICATOR	1	
5	0605515202	HOSE BAND	3	
6	M5374100003	AIR CLEANER HOSE	1	
7	M5374000404	AIR CLEANER PIPE	1	
8	M5374200204	AIR CLEANER BRACKET	1	
9	011008020	HEX. HEAD BOLT .....	4	REPLACES P/N 0016908020
10	Y0602010222	SURGE TANK	1	
11	Y0016908015	HEX. HEAD BOLT	4	
12	Y0193602250	OVER FLOW HOSE	1	
13	M5311400103	CAC PIPE (HOT SIDE)	1	
14	Y0602015610	CAC HOSE	3	
15	M3311400203	CAC PIPE (COLD SIDE)	1	
16	Y0602325033	V-BAND CLAMP	1	
17	Y0602320206	GASKET	1	
18	0605515215	T-BOLT CLAMP	6	
19	M3303200404	ENGINE FOOT	2	
20	0012312030	HEX. HEAD BOLT .....	6	REPLACES P/N 0013612030
20A	0040012000	WASHER, LOCK	6	
21	0605515189	HOSE BAND	5	
22	0605515236	HOSE BAND	2	
23	Y0605511394	MINI BALL VALVE	1	
24	0193600300	DRAIN HOSE	1	
25	Y0603307520	45° ELBOW	1	

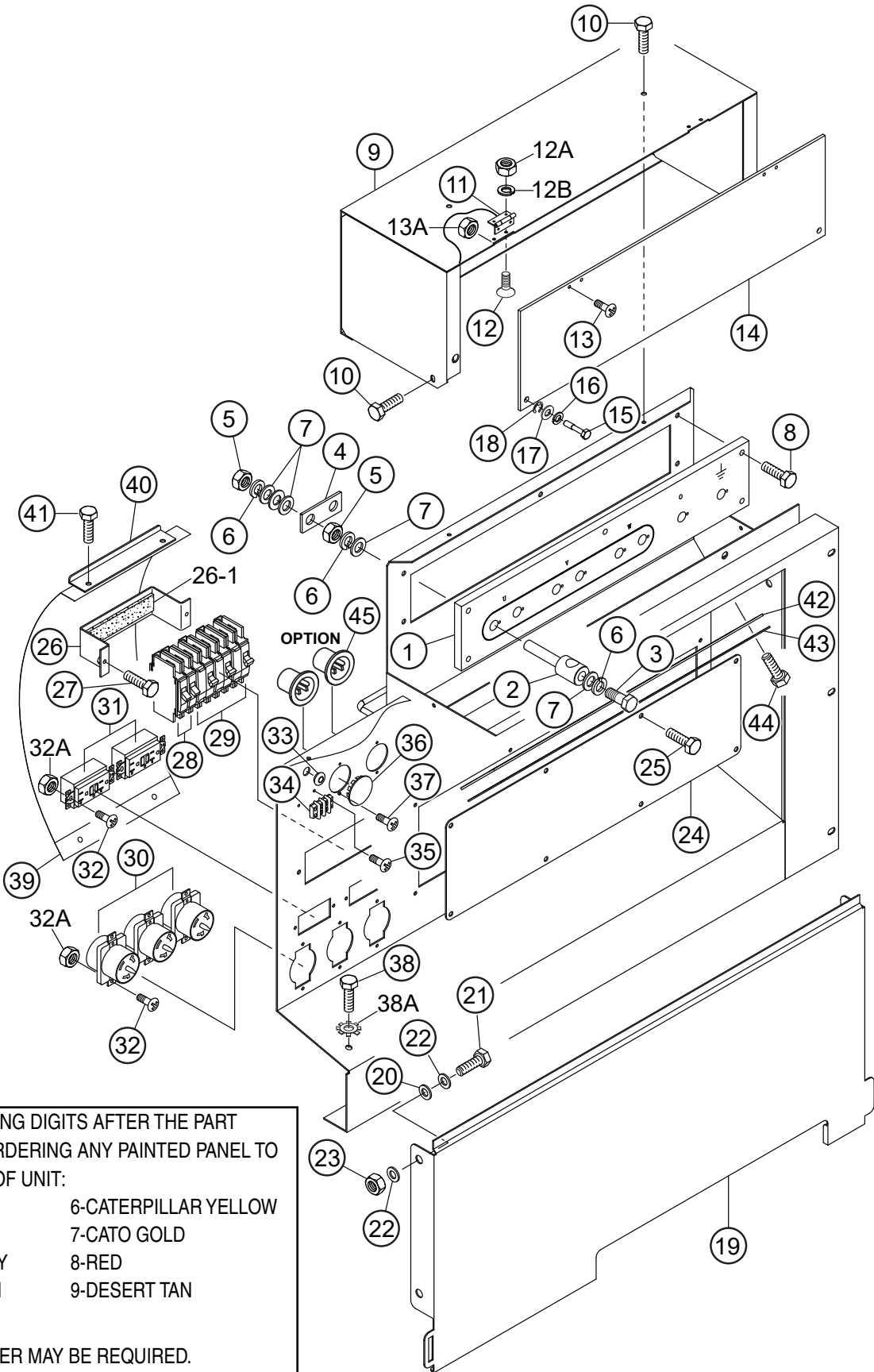
# ENGINE AND RADIATOR ASSY. (CONT'D.)



## ENGINE AND RADIATOR ASSY. (CONT'D.)

<u>NO.</u>	<u>PART NO.</u>	<u>PART NAME</u>	<u>QTY.</u>	<u>REMARKS</u>
26	M5327100004	BLOWBY PIPE	1	
27	Y0191700480	BLOWBY HOSE	1	
28	0605515134	HOSE BAND	3	
29	Y0602012952	RADIATOR AND INTER-COOLER	1	
29A	M3494420304	ACOUSTIC SHEET	1	
30	M3311500503	RADIATOR HOSE, UPPER	1	
31	M3311500603	RADIATOR HOSE, LOWER	1	
32	Y0199900730	VENT HOSE	1	
33	M5311501203	SURGE TANK HOSE	1	
34	0605515201	HOSE BAND	2	
35	Y0199901200	VENT HOSE	1	
36	Y0605512192	HOSE JOINT	2	
37	0602022580	ADAPTER	1	
38	0602022561	90° ELBOW	1	
39	Y0269201300	PUSH-LOCK HOSE	1	
40	0603306395	MALE PIPE	1	
41	0605511395	BALL VALVE	1	
42	0603306590	MALE BULKHEAD CONNECTOR	1	
43	0603300285	BULKHEAD LOCKNUT	1	
44	0602021070	CAP	1	
45	Y0605000462	RUBBER SUSPENSION	2	
46	0030016000	HEX. NUT	4	
46A	0040016000	WASHER, LOCK	4	
47	M3314300104	CAC PIPE BRACKET	1	
47A	Y0010116030	HEX. HEAD BOLT	1	
47B	0010116060	HEX. HEAD BOLT	1	
47C	0040016000	WASHER, LOCK	2	
47D	0041216000	WASHER, FLAT	3	
47E	0030016000	HEX. NUT	1	
48	0602326063	U-BOLT	2	
49	M5311200404	RADIATOR BRACKET	1	
50	M5311200504	RADIATOR BRACKET	1	
51	Y0016908015	HEX. HEAD BOLT	16	
52	011008020	HEX. HEAD BOLT .....	10.....	REPLACES P/N 0016908020
53	M5311300603	FAN SHROUD	1	
54	M5311300703	FAN SHROUD	1	
55	011008020	HEX. HEAD BOLT .....	12.....	REPLACES P/N 0016908020
56	M3311300803	FAN GUARD .....	1.....	S/N 8010867 AND BELOW
56	M3311300813	FAN GUARD .....	1.....	S/N 8010868 AND ABOVE
57	M3311300903	FAN GUARD .....	1.....	S/N 8010867 AND BELOW
57	M3311300913	FAN GUARD .....	1.....	S/N 8010868 AND ABOVE
58	011008020	HEX. HEAD BOLT .....	17.....	REPLACES P/N 0016908020
59	0602220911	CLAMP	2	
60	0605515208	HOSE BAND	2	

# OUTPUT TERMINAL ASSY.



ADD THE FOLLOWING DIGITS AFTER THE PART NUMBER WHEN ORDERING ANY PAINTED PANEL TO INDICATE COLOR OF UNIT:

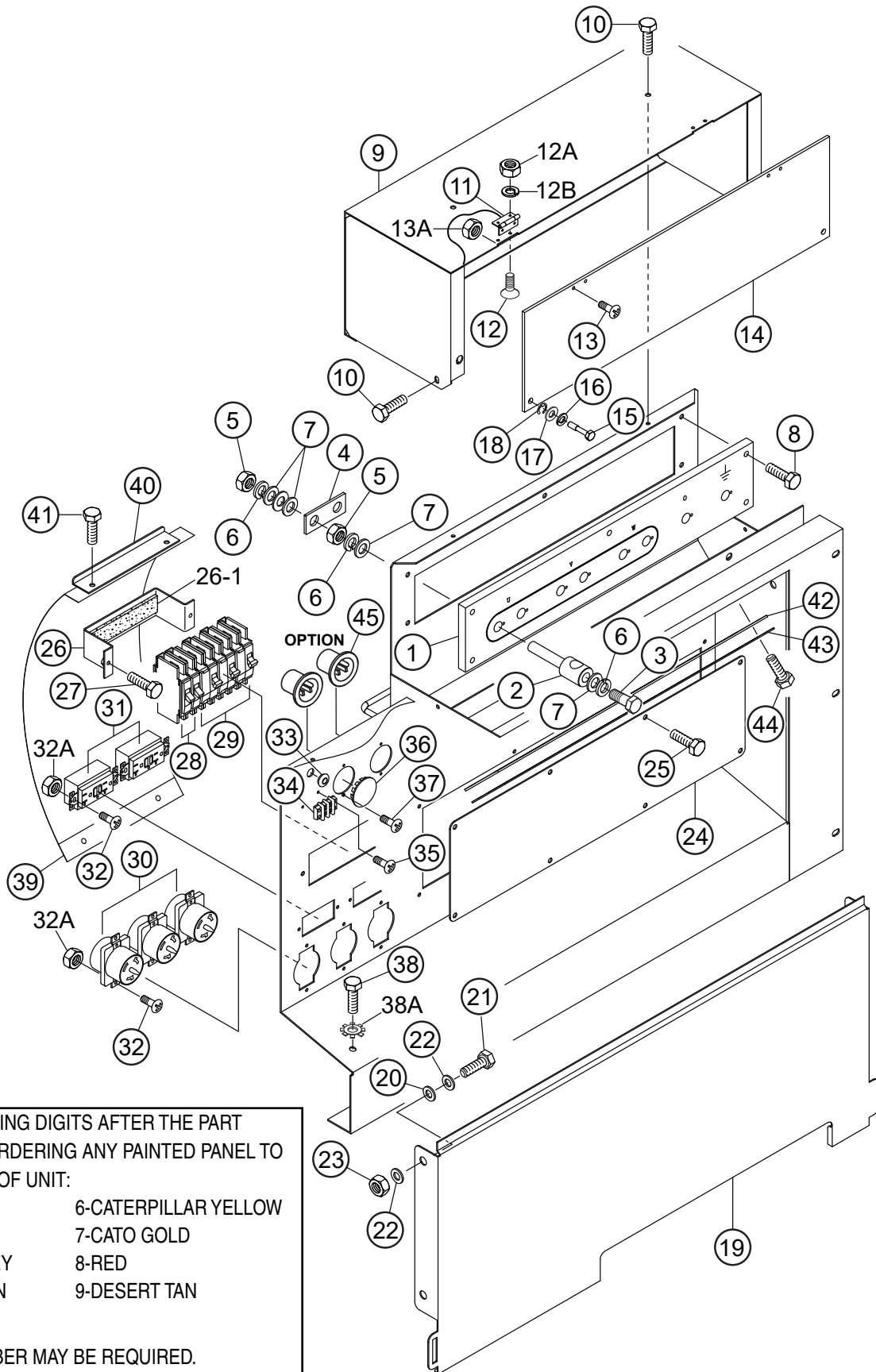
1-ORANGE	6-CATERPILLAR YELLOW
2-WHITE	7-CATO GOLD
3-SPECTRUM GREY	8-RED
4-SUNBELT GREEN	9-DESERT TAN
5-BLACK	

THE SERIAL NUMBER MAY BE REQUIRED.

## OUTPUT TERMINAL ASSY.

<b>NO.</b>	<b>PART NO.</b>	<b>PART NAME</b>	<b>QTY.</b>	<b>REMARKS</b>
1	C1231700003	TERMINAL BOARD .....	1.....	REPLACES P/N M4230700003
2	M9220100304	OUTPUT TERMINAL BOLT	8	
3	0801830804	TIE BOLT .....	8.....	REPLACES P/N M9220100404
4	3461860504	TERMINAL PLATE.....	3.....	REPLACES P/N M4233200004
5	0039316000	HEX. NUT	16	
6	0040016000	WASHER, LOCK	24	
7	0401450160	WASHER, FLAT .....	32.....	REPLACES P/N 0041416000
8	0016908040	HEX. HEAD BOLT	5	
9	M4236100403	TERMINAL COVER	1	
10	011106015	HEX. HEAD BOLT .....	4.....	REPLACES P/N 0016906015
11	0605010040	HINGE	2	
12	0027103010	MACHINE SCREW	4	
12A	0207003000	HEX. NUT .....	4.....	REPLACES P/N 0030003000
12B	0041203000	WASHER, FLAT	4	
13	0027103015	MACHINE SCREW	4	
13A	0207003000	HEX. NUT .....	4.....	REPLACES P/N 0030003000
14	M4236100504	OUTPUT WINDOW	1	
15	M9220100804	SET SCREW	2	
16	0040006000	WASHER, LOCK	2	
17	952404470	WASHER, FLAT .....	2.....	REPLACES P/N 0041206000
18	0080200005	E RING	2	
19	M5454400003	TERMINAL COVER	1	
20	0605050060	CONICAL LOCK WASHER	2	
21	012212045	HEX. HEAD BOLT .....	2.....	REPLACES P/N 0010112045
22	031112230	WASHER, FLAT .....	6.....	REPLACES P/N 0041212000
23	0030012000	HEX. NUT	2	
24	M4236400204	COVER	1	
25	011106015	HEX. HEAD BOLT .....	8.....	REPLACES P/N 0016906015
26	M4260600104	BRACKET, CIRCUIT BREAKER	1	
26-1	0222100150	RUBBER CUSHION	1	
27	011206020	HEX. HEAD BOLT .....	2.....	REPLACES P/N 0016906020
28	0601808803	CIRCUIT BREAKER, 1P 20A	2	
29	0601808804	CIRCUIT BREAKER, 2P 50A	3	
30	0601814014	RECEPTACLE, 50A	3	
31	0601814024	RECEPTACLE, 20A	2	
32	0027104015	MACHINE SCREW	10	
32A	OEMAA8	HEX. NUT .....	10.....	REPLACES P/N 0207004000
33	0601850275	GROMMET	1	
34	0601815194	TERMINAL BLOCK	1	
35	0027104015	MACHINE SCREW	2	

# OUTPUT TERMINAL ASSY. (CONT'D.)



ADD THE FOLLOWING DIGITS AFTER THE PART NUMBER WHEN ORDERING ANY PAINTED PANEL TO INDICATE COLOR OF UNIT:

1-ORANGE	6-CATERPILLAR YELLOW
2-WHITE	7-CATO GOLD
3-SPECTRUM GREY	8-RED
4-SUNBELT GREEN	9-DESERT TAN
5-BLACK	

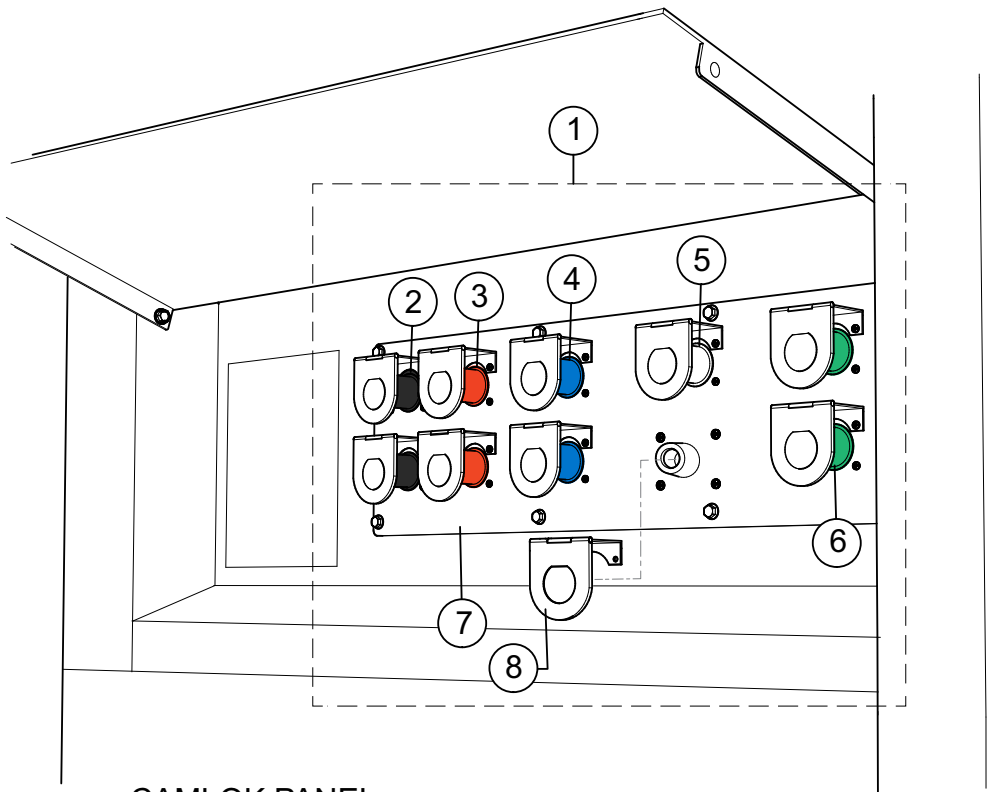
THE SERIAL NUMBER MAY BE REQUIRED.

## OUTPUT TERMINAL ASSY. (CONT'D.)

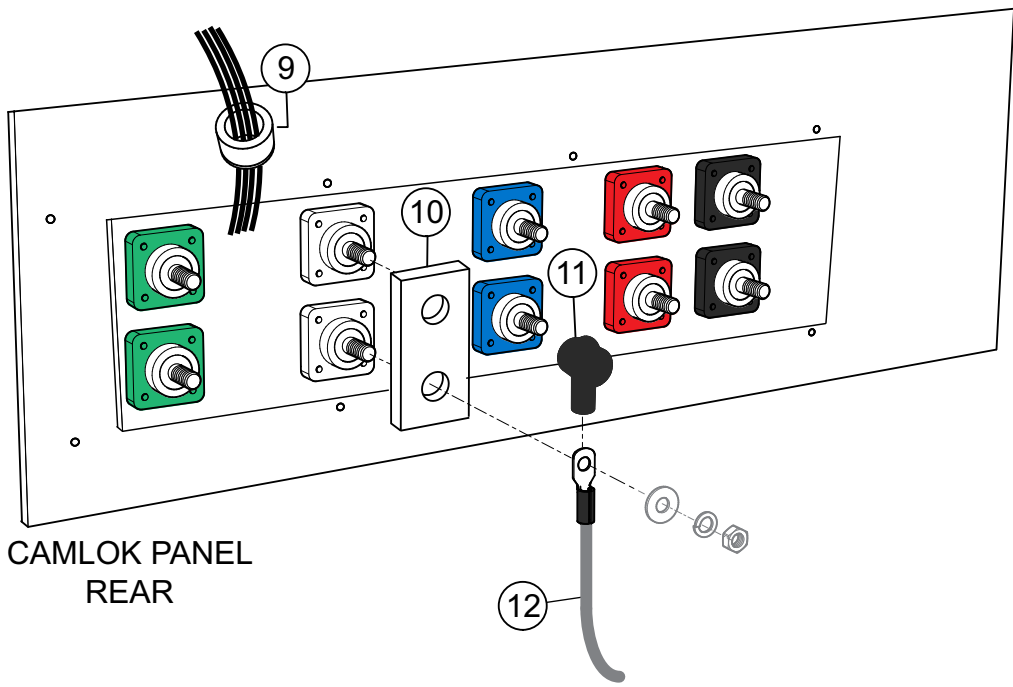
---

<u>NO.</u>	<u>PART NO.</u>	<u>PART NAME</u>	<u>QTY.</u>	<u>REMARKS</u>
36	0603306775	BLIND PLUG	2	
37	0027104015	MACHINE SCREW	4	
38	0019210025	HEX. HEAD BOLT	1	
38A	0040510000	TOOTHED WASHER	1	
39	M3237100204	INSULATING COVER	1	
40	M4236400304	BRACKET	1	
41	011106015	HEX. HEAD BOLT.....	2.....	REPLACES P/N 0016906015
42	M4236400004	CABLE OUTLET COVER	1	
43	M4236400104	SUPPORTER, CABLE OUTLET COVER	1	
44	011206020	HEX. HEAD BOLT.....	8.....	REPLACES P/N 0016906020
45	HBL5278C	INLET FLANGE RECPT., 15 AMP NEMA, 125V ...	2.....	OPTION

# CAMLOK PANEL ASSY. (OPTION)



CAMLOK PANEL  
FRONT



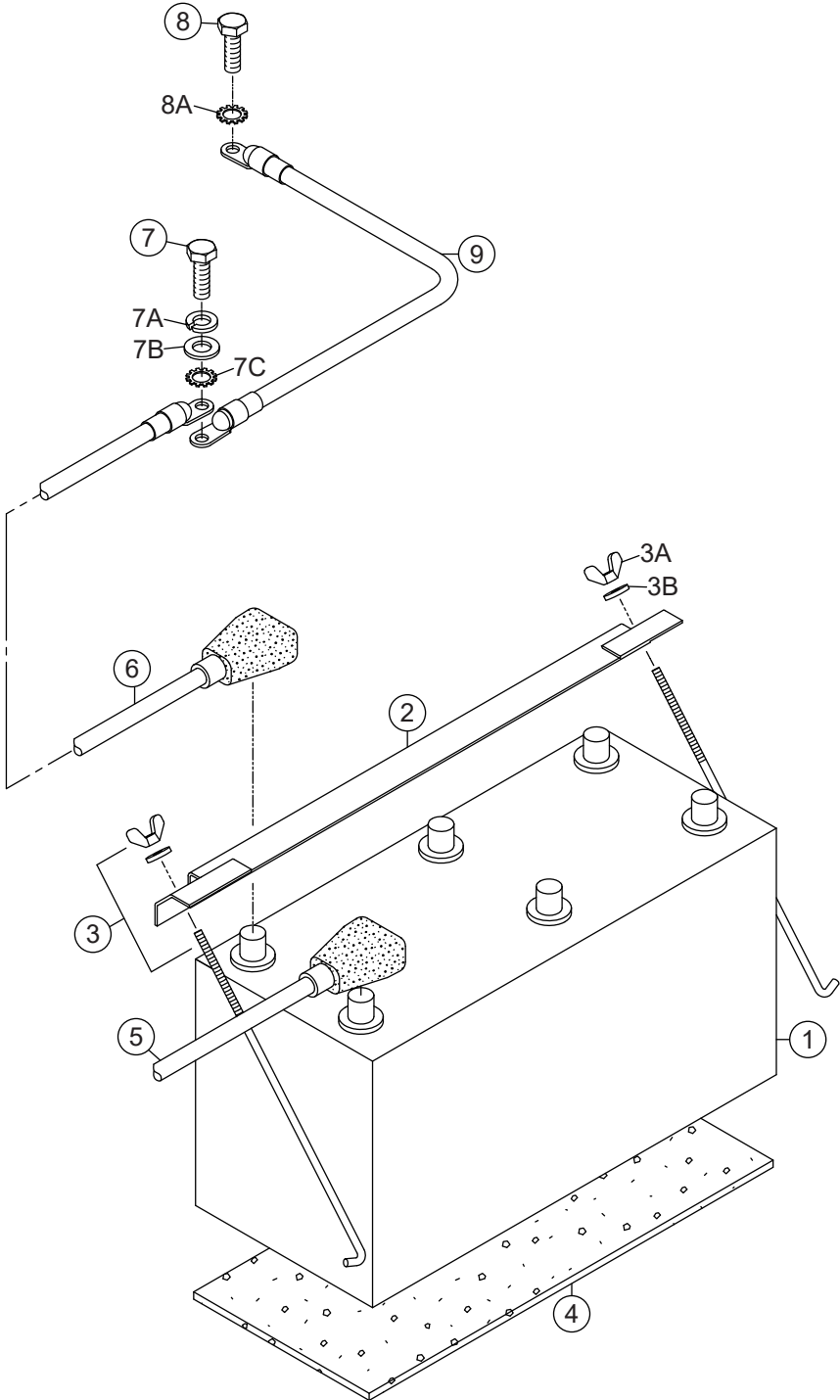
CAMLOK PANEL  
REAR

## **CAMLOK PANEL ASSY. (OPTION)**

---

<b><u>NO.</u></b>	<b><u>PART NO.</u></b>	<b><u>PART NAME</u></b>	<b><u>QTY.</u></b>	<b><u>REMARKS</u></b>
1	CAMLOK-2KITAL	CAMLOK 2 SETS .....	1.....	INCLUDES ITEMS W/%
2%	EE6378	RECEPT, PANEL MNT., FEMALE, BLK, 4/0	2	
3%	EE6380	RECEPT, PANEL MNT., FEMALE, RED, 4/0	2	
4%	EE6381	RECEPT, PANEL MNT., FEMALE, BLUE, 4/0	2	
5%	EE6379	RECEPT, PANEL MNT., FEMALE, WHT, 4/0	2	
6%	EE6382	RECEPT, PANEL MNT., FEMALE, GRN, 4/0	2	
7%	EE56983	PANEL, TWO CONDUCT CAMLOK, ALU.	1	
8%	CL40WTC-L-125-J	SNAP BACK PLASTIC COVER	10	
9%	EE26643	TRANSFORMER,CURRENT, 600:5	1	
10	EE7342	BUS BAR, 2-INCH	5	
11%	EE59031	CAP, TERMINAL INSULATOR, BLACK	8	
12	CAMLOK-2KIT	4/0 SINGLE CONDUCTOR CABLE	1	

**BATTERY ASSY.**

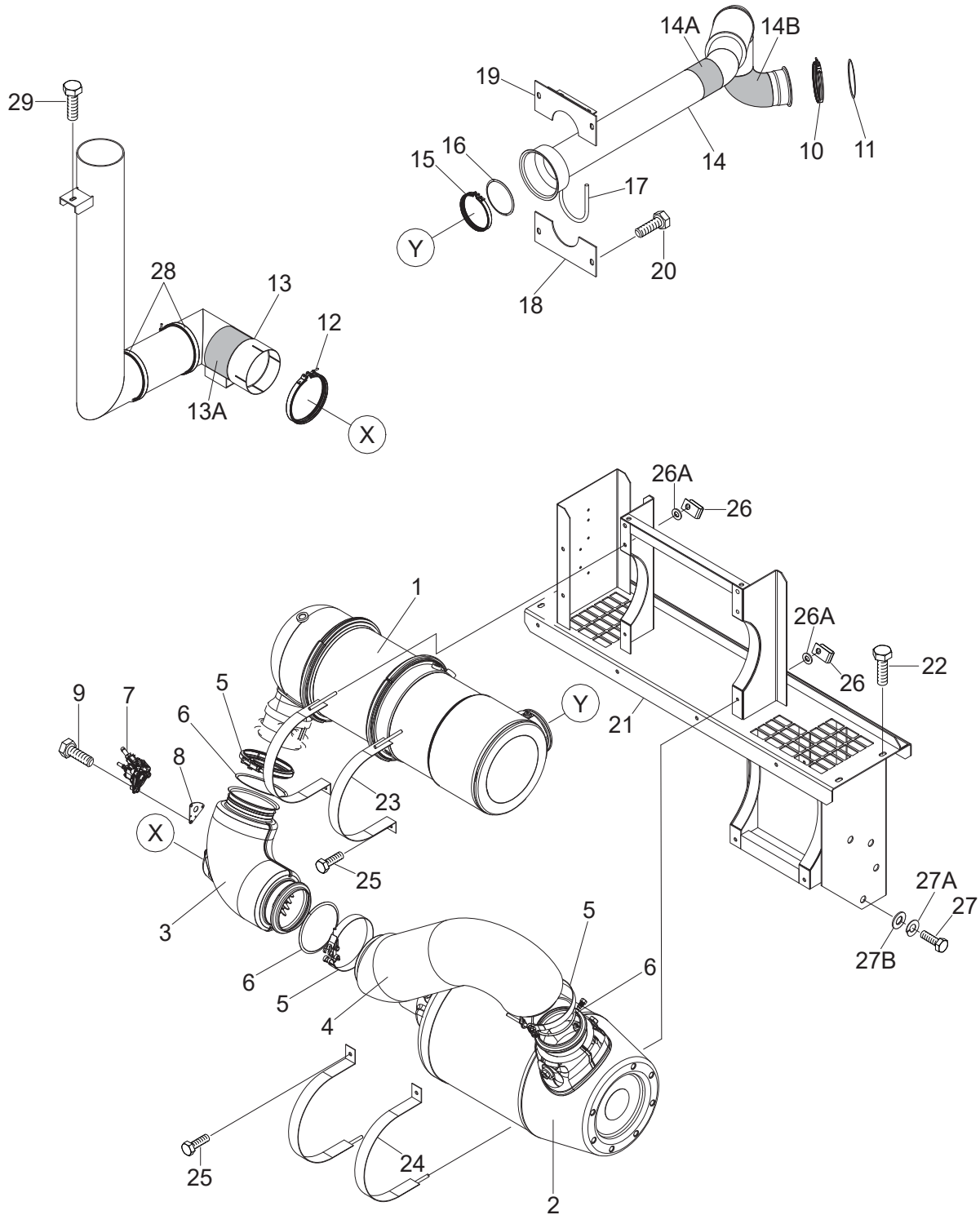


## BATTERY ASSY.

---

<u>NO.</u>	<u>PART NO.</u>	<u>PART NAME</u>	<u>QTY.</u>	<u>REMARKS</u>
1	0602220198	BATTERY	1	
2	M9103000504	BATTERY BAND	1	
3	0602220921	BATTERY BOLT SET .....	2.....	INCLUDES ITEMS W/\$
3A\$		WING NUT	2	
3B\$		PLASTIC WASHER	2	
4	M9310500404	BATTERY SHEET	1	
5	M5347900504	BATTERY CABLE	1	
6	M5347900604	BATTERY CABLE	1	
7	Y0010116030	HEX. HEAD BOLT	1	
7A	0040016000	WASHER, LOCK	1	
7B	0041216000	WASHER, FLAT	1	
7C	0040516000	TOOTHED WASHER	1	
8	0016910025	HEX. HEAD BOLT	1	
8A	0040510000	TOOTHED WASHER	1	
9		EARTH CABLE .....	1.....	MAKE LOCALLY

# MUFFLER ASSY.



## MUFFLER ASSY.

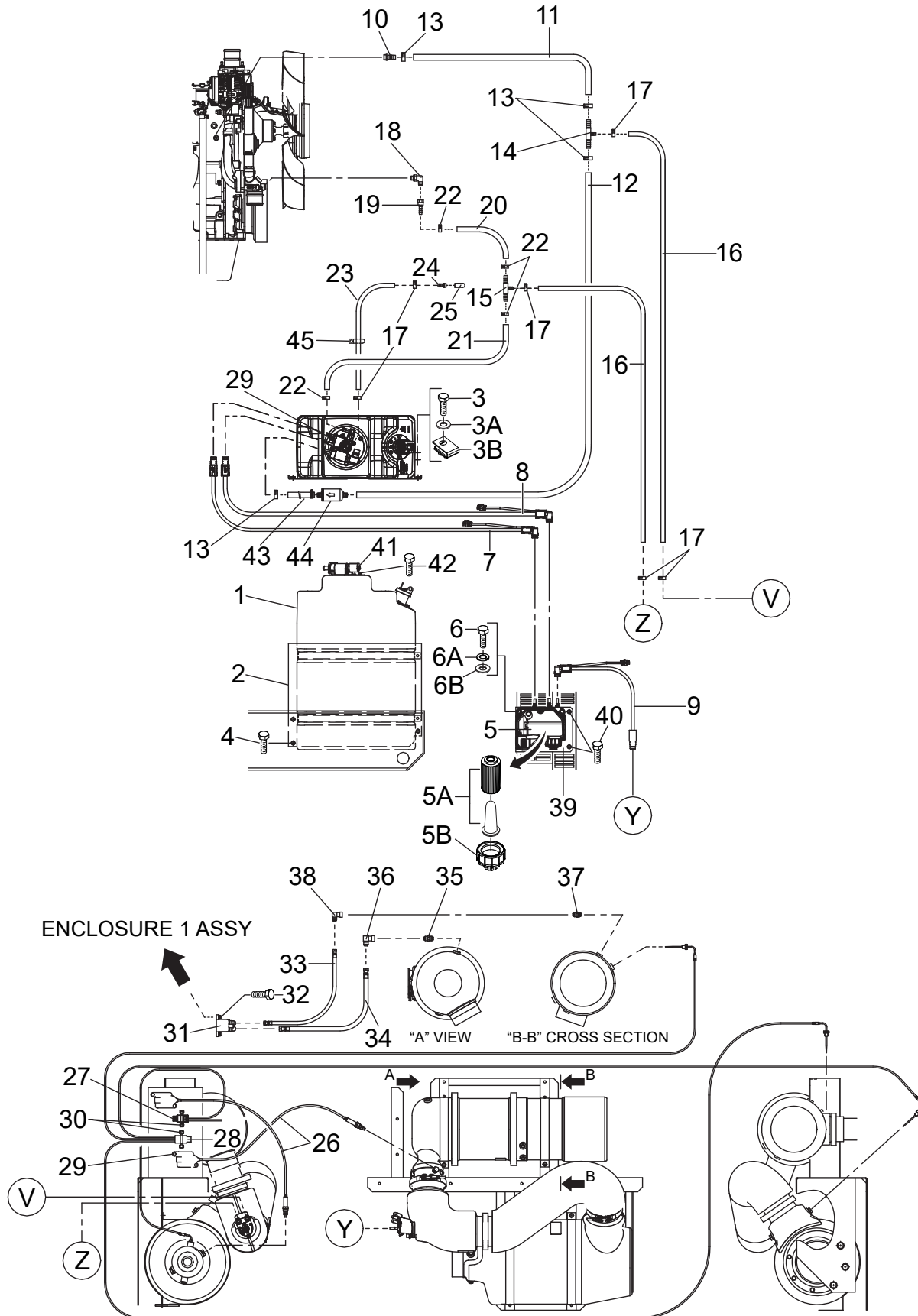
<u>NO.</u>	<u>PART NO.</u>	<u>PART NAME</u>	<u>QTY.</u>	<u>REMARKS</u>
1	RE560424	DIESEL PARTICULATE FILTER .....	1.....	REPLACES P/N Y0602330104 S/N 8011012 AND BELOW
1	Y0602330107	DIESEL PARTICULATE FILTER .....	1.....	S/N 8011013 AND ABOVE
2	RE554144	SCR CATALYST .....	1.....	REPLACES P/N Y0602330302 S/N 8011012 AND BELOW
2	Y0602330304	SCR CATALYST .....	1.....	S/N 8011013 AND ABOVE
3	RE565074	DECOMPOSITION TUBE .....	1.....	REPLACES P/N Y0602330403
4	RE559456	DECOMPOSITION EXTENSION TUBE .....	1.....	REPLACES P/N Y0602330404
5	RE540348	V-BAND CLAMP .....	3.....	REPLACES P/N Y0602325034
6	RE529640	SEALING RING .....	3.....	REPLACES P/N Y0602320205
7	RE560468	DEF INJECTOR .....	1.....	REPLACES P/N Y0602330405
8	RE556879	GASKET .....	1.....	REPLACES P/N Y0602330406
9	RE537624	HEX. HEAD BOLT .....	3.....	REPLACES P/N Y0602330407
10	RE304965	V-BAND CLAMP .....	1.....	REPLACES P/N Y0602325035
11	RE529510	SEALING RING .....	1.....	REPLACES P/N Y0602320204
12	Y0602325026	PIPE BAND	1	
13	M5334100103	TAIL PIPE.....	1.....	S/N 8011012 AND BELOW
13	M4334100003	TAIL PIPE.....	1.....	S/N 8011013 AND ABOVE
13A	Y0400005000	EXHAUST INSULATING WRAP	1	
14	M5334000203	EXHAUST PIPE .....	1.....	S/N 8011012 AND BELOW
14	M4334000003	EXHAUST PIPE .....	1.....	S/N 8011013 AND ABOVE
14A	Y0602311146	EXHAUST INSULATING MATERIAL	1	
14B	Y0602311147	EXHAUST INSULATING MATERIAL	1	
15	RE540348	V-BAND CLAMP .....	1.....	REPLACES P/N Y0602325034 S/N 8011012 AND BELOW
15	RE298757	V-BAND CLAMP .....	1.....	REPLACES P/N Y0602325036 S/N 8011013 AND ABOVE
16	R529640	SEALING RING .....	1.....	REPLACES P/N Y0602320205 S/N 8011012 AND BELOW
16	R300529	SEALING RING .....	1.....	REPLACES P/N Y0602320203 S/N 8011013 AND ABOVE
17	0602326061	U-BOLT	1	
18	M5331401004	COVER, EXHAUST PIPE	1	
19	M5331401104	BRACKET, EXHAUST PIPE	1	
20	011008020	HEX. HEAD BOLT .....	4.....	REPLACES P/N 0016908020
21	M5331200103	BRACKET, DPF AND SCR .....	1.....	S/N 8011012 AND BELOW
21	M3331200102	BRACKET, DPF AND SCR .....	1.....	S/N 8011013 AND ABOVE
22	0016910025	HEX. HEAD BOLT	4	
23	M5331400604	DPF BAND.....	1.....	S/N 8011012 AND BELOW
23	M3331400604	DPF BAND.....	2.....	S/N 8011013 AND ABOVE
24	M5331400904	SCR BAND .....	2.....	S/N 8011012 AND BELOW
24	M3331400704	SCR BAND .....	2.....	S/N 8011013 AND ABOVE



## MUFFLER ASSY. (CONT'D.)

<u>NO.</u>	<u>PART NO.</u>	<u>PART NAME</u>	<u>QTY.</u>	<u>REMARKS</u>
25	011008020	HEX. HEAD BOLT .....	3.....	REPLACES P/N 0016908020 S/N 8011012 AND BELOW
25	011008020	HEX. HEAD BOLT .....	4.....	REPLACES P/N 0016908020 S/N 8011013 AND ABOVE
26	020108060	U-NUT .....	3.....	REPLACES P/N 0037908000 S/N 8011012 AND BELOW
26	020108060	U-NUT .....	4.....	REPLACES P/N 0037908000 S/N 8011013 AND ABOVE
26A	401450080	WASHER, FLAT .....	3.....	REPLACES P/N 0041208000 S/N 8011012 AND BELOW
26A	401450080	WASHER, FLAT .....	4.....	REPLACES P/N 0041208000 S/N 8011013 AND ABOVE
27	Y0010116030	HEX. HEAD BOLT .....	5.....	S/N 8011012 AND BELOW
27	Y0010116030	HEX. DEAD BOLT .....	4.....	S/N 8011013 AND ABOVE
27A	0040016000	WASHER, LOCK.....	5.....	S/N 8011012 AND BELOW
27A	0040016000	WASHER, LOCK.....	4.....	S/N 8011013 AND ABOVE
27B	0041216000	WASHER, FLAT .....	5.....	S/N 8011012 AND BELOW
27B	0041216000	WASHER, FLAT .....	4.....	S/N 8011013 AND ABOVE
28	0605515202	HOSE BAND	2	
29	011008020	HEX. HEAD BOLT .....	1.....	REPLACES P/N 0016908020

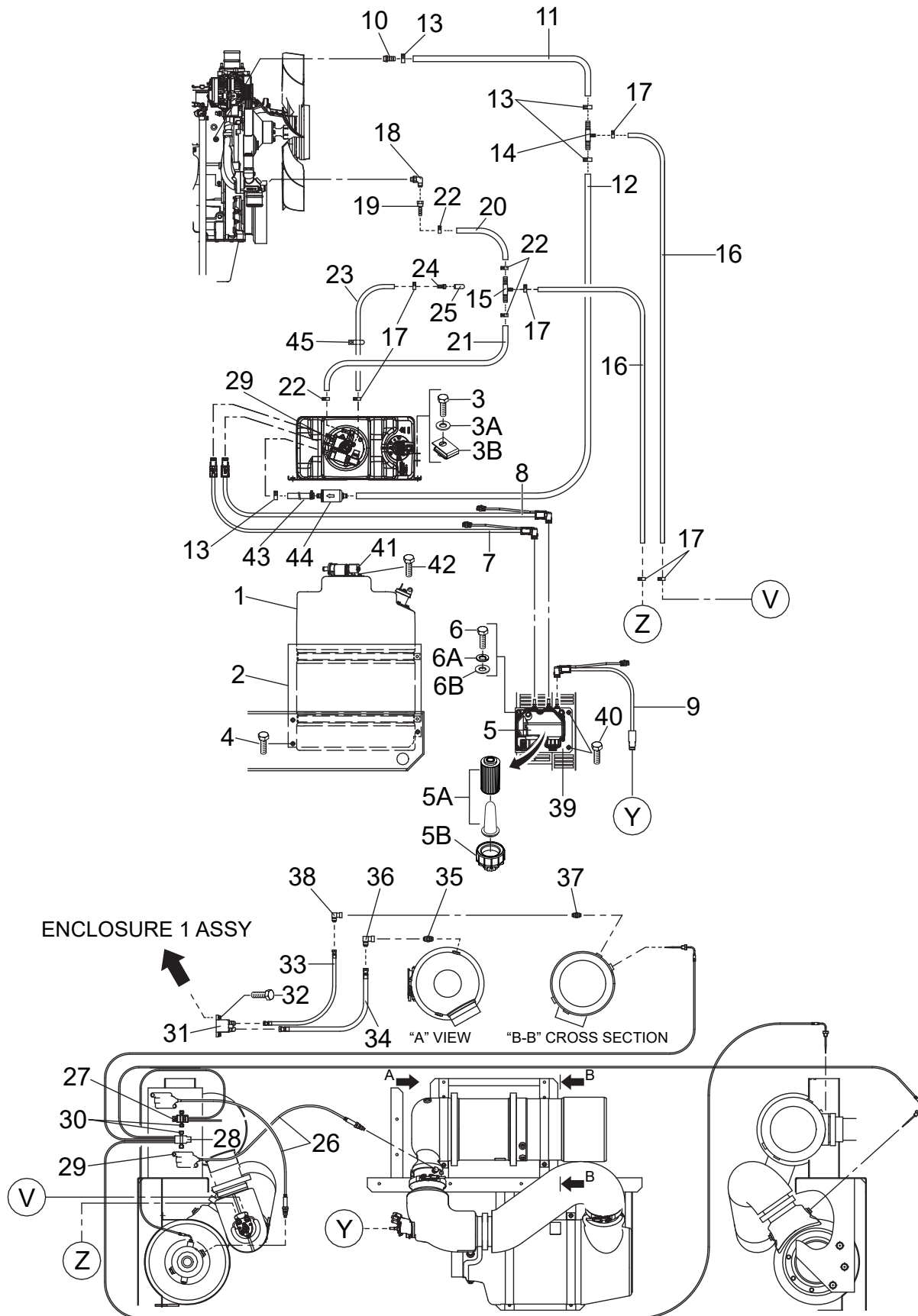
# DEF TANK ASSY.



## DEF TANK ASSY.

<u>NO.</u>	<u>PART NO.</u>	<u>PART NAME</u>	<u>QTY.</u>	<u>REMARKS</u>
1	RE558330	DEF TANK .....	1.....	REPLACES P/N Y0605500070 S/N 8010872 AND BELOW
1	Y0605500072	DEF TANK.....	1.....	S/N 8010873 AND ABOVE
2	M3331400503	BRACKET, DEF TANK	1	
3	011208025	HEX. HEAD BOLT .....	2.....	REPLACES P/N 0016908025
3A	0401450080	WASHER, FLAT .....	2.....	REPLACES P/N 0041208000
3B	020108060	U-NUT .....	2.....	REPLACES P/N 0037908000
4	011208025	HEX. HEAD BOLT .....	3.....	REPLACES P/N 0016908025
5	RE552175	DEF SUPPLY MODULE .....	1.....	REPLACES P/N Y0602330400
5A	RE554498	FILTER KIT .....	1.....	REPLACES P/N Y0602330414
5B	RE555351	COVER	1	
6	Y0010108090	HEX. HEAD BOLT	3	
6A	0040008000	WASHER, LOCK	3	
6B	0401450080	WASHER, FLAT .....	3.....	REPLACES P/N 0041208000
7	RE560902	DEF SUCTION LINE .....	1.....	REPLACES P/N Y0602330411
8	RE560900	DEF BACKFLOW LINE .....	1.....	REPLACES P/N Y0602330412
9	RE560894	DEF PRESSURE LINE .....	1.....	REPLACES P/N Y0602330413
10	AT377287	HOSE BARB .....	1.....	REPLACES P/N Y0602022975
11	Y0269300730	COOLANT HOSE	1	
12	Y0269300250	COOLANT HOSE .....	1.....	S/N 8011012 AND BELOW
12	Y0269301250	COOLANT HOSE .....	1.....	S/N 8011013 AND ABOVE
13	Y0605515341	HOSE BAND .....	6.....	S/N 8011012 AND BELOW
13	Y0605515341	HOSE BAND.....	4.....	S/N 8011013 AND ABOVE
14	T317541	BLACK TEE-FITTING WITH ORIFICE .....	1.....	REPLACES P/N Y0602022976
15	T296925	WHITE TEE-FITTING .....	1.....	REPLACES P/N Y0602022977
16	Y0379601300	COOLANT HOSE	2	
17	Y0605515340	HOSE BAND	6	
18	Y0602022559	90° ELBOW	1	
19	0602022980	HOSE JOINT	1	
20	Y0379700680	COOLANT HOSE	1	
21	Y0379701300	COOLANT HOSE	1	
22	Y0605515341	HOSE BAND	4	
23	0191301150	SUCTION HOSE	1	
24	H216170	DEF TANK VENT FITTING .....	1.....	REPLACES P/N Y0602330402
25	H216169	DEF TANK VENT FILTER .....	1.....	REPLACES P/N Y0602330401
26	RE552182	NOX SENSOR .....	2.....	REPLACES P/N Y0602330410
27	RE552186	SCR TEMP. SENSOR .....	1.....	REPLACES P/N Y0602330409 S/N 8011012 AND BELOW
28	RE552185	DPF TEMP. SENSOR .....	1.....	REPLACES P/N Y0602330204 S/N 8011012 AND BELOW
28	Y0602330426	DPF TEMP. SENSOR.....	1.....	S/N 8011013 AND ABOVE

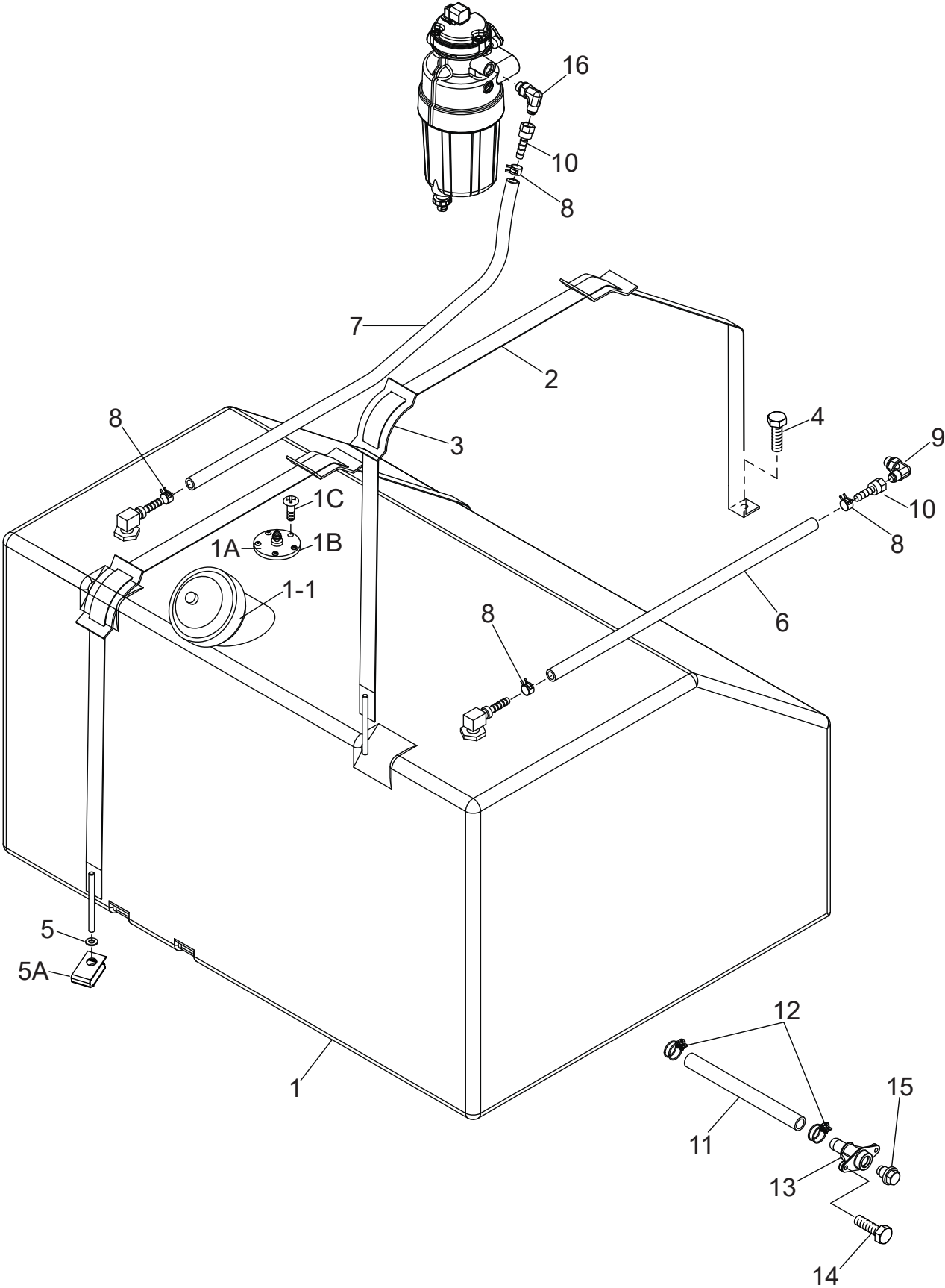
# DEF TANK ASSY. (CONT'D.)



## DEF TANK ASSY. (CONT'D.)

<u>NO.</u>	<u>PART NO.</u>	<u>PART NAME</u>	<u>QTY.</u>	<u>REMARKS</u>
29	011106015	HEX. HEAD BOLT .....	8.....	REPLACES P/N 0016906015 S/N 8011012 AND BELOW
29	011106015	HEX. HEAD BOLT.....	6.....	REPLACES P/N 0016906015 S/N 8011013 AND ABOVE
30	RE542006	STRAP, TEMP. SENSOR .....	2.....	REPLACES P/N Y0602330205 S/N 8011012 AND BELOW
30	RE542006	STRAP, TEMP. SENSOR .....	1.....	REPLACES P/N Y0602330205 S/N 8011013 AND ABOVE
31	RE538131	PRESSURE SENSOR .....	1.....	REPLACES P/N Y0602330203
32	011208030	HEX. HEAD BOLT .....	2.....	REPLACES P/N 0016908030
33	RE544013	FLEXIBLE LINE .....	1.....	REPLACES P/N Y0602330002
34	RE544012	FLEXIBLE LINE .....	1.....	REPLACES P/N Y0602330001
35	RE543081	JOINT .....	1.....	REPLACES P/N Y0602330201
36	Y0603306489	SWIVEL JOINT	1	
37	RE542003	JOINT .....	1.....	REPLACES P/N Y0602330200
38	Y0603306488	SWIVEL JOINT	1	
39	M3331400804	SUPPLY MODULE BRACKET .....	1.....	S/N 8010867 AND BELOW
39	M3331400814	SUPPLY MODULE BRACKET .....	1.....	S/N 8010868 AND ABOVE
40	011008020	HEX. HEAD BOLT .....	2.....	REPLACES P/N 0016908020
41	RE560048	DEF HEADER .....	1.....	REPLACES P/N Y0602330408 S/N 8011012 AND BELOW
41	Y0602330422	DEF HEADER.....	1.....	S/N 8011013 AND ABOVE
42	011106015	HEX. HEAD BOLT .....	3.....	REPLACES P/N 0016906015
43	Y0269300950	COOLANT HOSE .....	1.....	S/N 8011012 AND BELOW
44	Y0602330416	COOLANT FILTER.....	1.....	S/N 8011012 AND BELOW
45	0602220911	CLAMP	1	

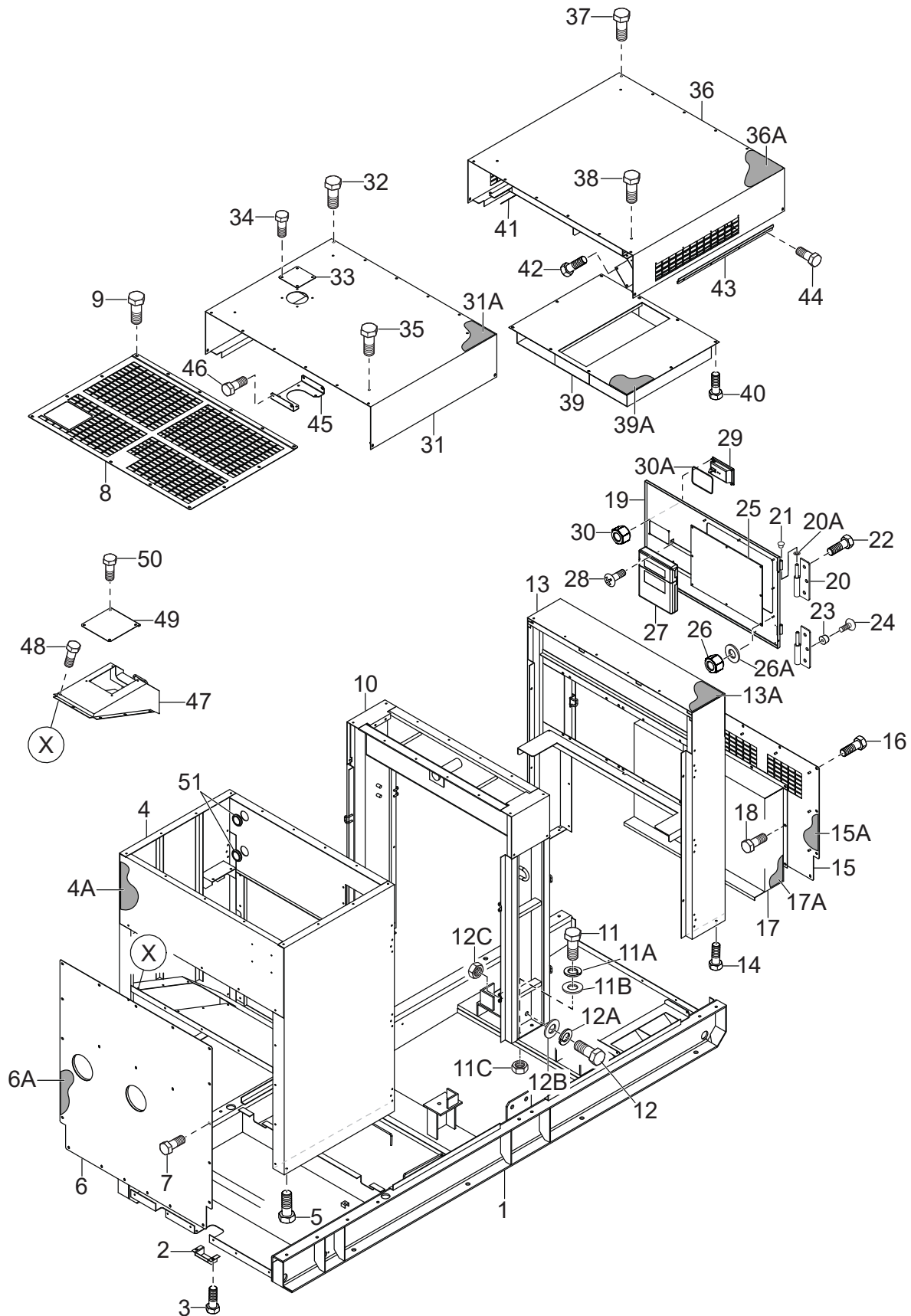
**FUEL TANK ASSY.**



## FUEL TANK ASSY.

<u>NO.</u>	<u>PART NO.</u>	<u>PART NAME</u>	<u>QTY.</u>	<u>REMARKS</u>
1	M3364000402	FUEL TANK .....	1.....	INCLUDES ITEMS W/#
1A#	Y0605501065	FUEL SENDER UNIT	1	
1B#	Y0605516090	GASKET	1	
1C#	Y0605053020	HEX. HEAD BOLT W/ SEAL WASHER	5	
1-1#	0605505070	FUEL TANK CAP	1	
2	M4363200004	TANK BAND	2	
3	M9310500104	SUPPORTER SHEET	4	
4	011008020	HEX. HEAD BOLT .....	2.....	REPLACES P/N 0016908020
5	020108060	U-NUT .....	2.....	REPLACES P/N 0037908000
5A	0401450080	WASHER, FLAT .....	2.....	REPLACES P/N 0041208000
6	0191302300	SUCTION HOSE	1	
7	0191302800	RETURN HOSE	1	
8	Y0605515340	HOSE BAND	4	
9	Y0602022577	90° ELBOW	1	
10	Y0602022985	HOSE JOINT	2	
11	M1363400104	DRAIN HOSE	1	
12	0605515198	HOSE BAND	2	
13	1502025103C	DRAIN JOINT .....	1.....	REPLACES P/N M9200000003
14	011206020	HEX. HEAD BOLT .....	2.....	REPLACES P/N 0016906020
15	0802011104	DRAIN BOLT .....	1.....	REPLACES P/N M9200200004
15A	0150000018	O-RING	1	
16	Y0602022578	90° ELBOW	1	

# ENCLOSURE 1 ASSY.



## ENCLOSURE 1 ASSY.

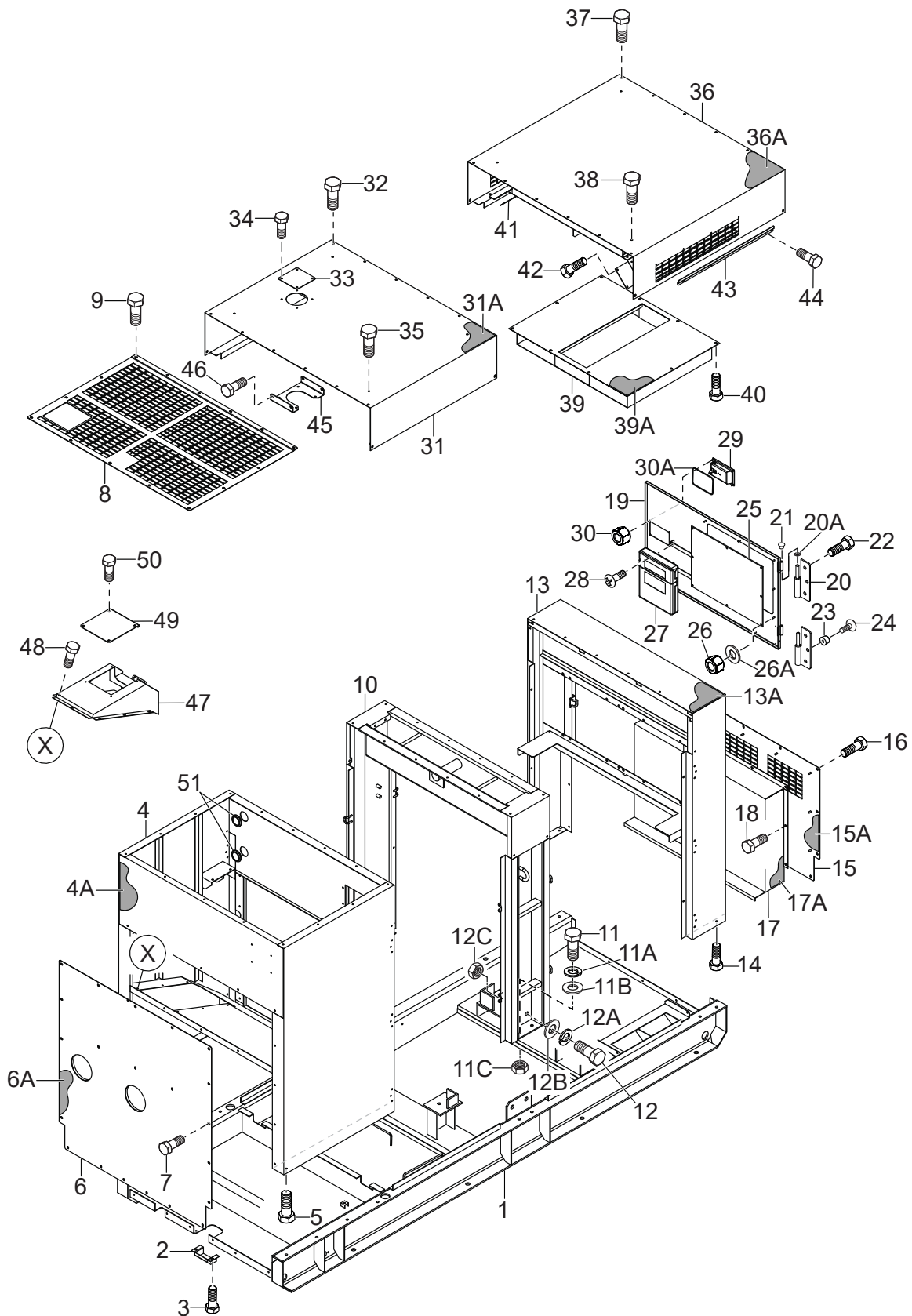
<u>NO.</u>	<u>PART NO.</u>	<u>PART NAME</u>	<u>QTY.</u>	<u>REMARKS</u>
1	M5414000302	BASE	1	
1A	0019208020	HEX. HEAD BOLT	1	
1B	0040508000	TOOTHED WASHER	1	
2	M1413400004	COVER	1	
3	011008020	HEX. HEAD BOLT .....	2	REPLACES P/N 0016908020
4	M5424000702	FRONT FRAME .....	1	S/N 8011012 AND BELOW
4	M4424000002	FRONT FRAME .....	1	S/N 8011013 AND ABOVE
4A	M5494104303	ACOUSTIC SHEET .....	1	S/N 8011012 AND BELOW
4A	M4494100003	ACOUSTIC SHEET .....	1	S/N 8011013 AND ABOVE
5	0016910025	HEX. HEAD BOLT	8	
6	M3424200304	COVER, FRONT FRAME	1	
6A	M3491200104	ACOUSTIC SHEET	1	
7	0019208020	HEX. HEAD BOLT	22	
8	M5424201703	OVER COVER, FRONT FRAME	1	
9	0019208020	HEX. HEAD BOLT	15	
10	M5434000302	CENTER FRAME	1	
11	0010114040	HEX. HEAD BOLT	4	
11A	030214350	WASHER, LOCK.....	4	REPLACES P/N 0040014000
11B	031114260	WASHER, FLAT .....	8	REPLACES P/N 0041214000
11C	515455840	HEX. NUT .....	4	REPLACES P/N 0030014000
12	0010120050	HEX. HEAD BOLT	4	
12A	030220510	WASHER, LOCK.....	4	REPLACES P/N 0040020000
12B	0041220000	WASHER, FLAT	8	
12C	0030020000	HEX. NUT	4	
13	M5444000202	REAR FRAME	1	
13A	M5494301504	ACOUSTIC SHEET	1	
14	0016910025	HEX. HEAD BOLT	4	
15	M4443300404	COVER, REAR FRAME	1	
15A	M4493302904	ACOUSTIC SHEET	1	
16	0019208020	HEX. HEAD BOLT	14	
17	M4443300503	DUCT, REAR FRAME	1	
17A	M4493303004	ACOUSTIC SHEET	1	
18	020108060	HEX. NUT .....	9	REPLACES P/N 0207008000
19	M3444200303	DOOR, REAR FRAME	1	
20	M9110100204	HINGE	2	
20A	M9116100004	WASHER	2	

ADD THE FOLLOWING DIGITS AFTER THE PART NUMBER WHEN ORDERING ANY PAINTED PANEL TO INDICATE COLOR OF UNIT:

- |                 |                      |
|-----------------|----------------------|
| 1-ORANGE        | 6-CATERPILLAR YELLOW |
| 2-WHITE         | 7-CATO GOLD          |
| 3-SPECTRUM GREY | 8-RED                |
| 4-SUNBELT GREEN | 9-DESERT TAN         |
| 5-BLACK         |                      |

THE SERIAL NUMBER MAY BE REQUIRED.

# ENCLOSURE 1 ASSY. (CONT'D.)



## ENCLOSURE 1 ASSY. (CONT'D.)

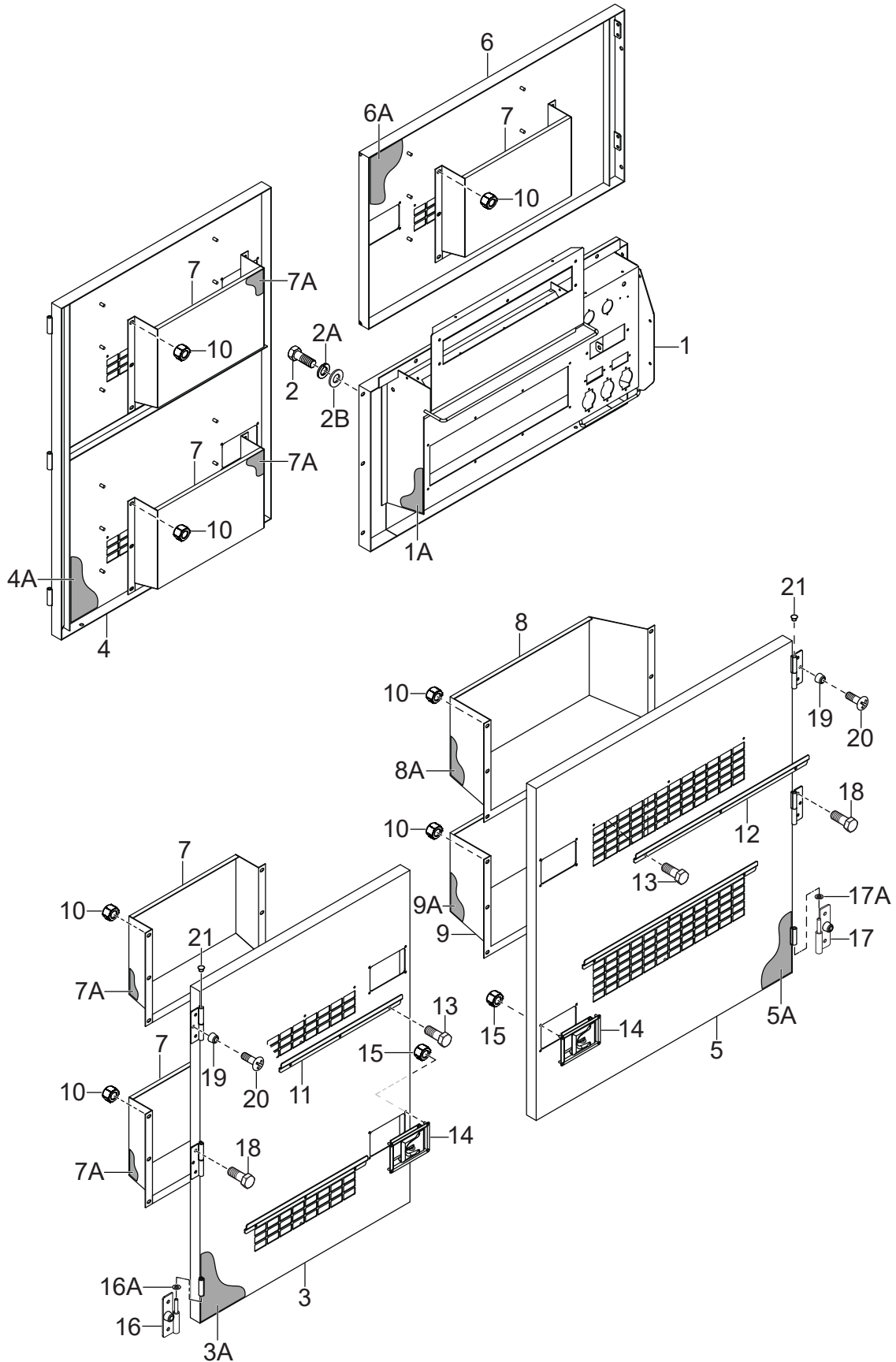
NO.	PART NO.	PART NAME	QTY.	REMARKS
21	0845031504	BLIND PLUG.....	2.....	REPLACES P/N M931000004
22	0019208020	HEX. HEAD BOLT	3	
23	0601850097	STOPPER	1	
24	0027208025	MACHINE SCREW	1	
25	M4443600004	WINDOW PLATE	1	
26	020106050	SELF-LOCKING U NUT.....	8.....	REPLACES P/N 0037906000
26A	952404470	WASHER, FLAT .....	8.....	REPLACES P/N 0041206000
27	0600800320	MANUAL PAK	1	
28	0027106016	MACHINE SCREW .....	4.....	REPLACES P/N 0021806015
29	Y0605012309	DOOR HANDLE	1	
30	0176060030	SELF-LOCKING NUT .....	4.....	REPLACES P/N 0207006000
30A	C9312500004	RUBBER SEAL	1	
31	M5464100402	ROOF PANEL	1	
31A	M5494502704	ACOUSTIC SHEET	1	
32	0019208020	HEX. HEAD BOLT	10	
33	M3310600004	COVER	1	
34	0019208020	HEX. HEAD BOLT	4	
35	0019210025	HEX. HEAD BOLT	4	
36	M5464200202	ROOF PANEL	1	
36A	M5494502904	ACOUSTIC SHEET	1	
37	0019208020	HEX. HEAD BOLT	16	
38	0019210025	HEX. HEAD BOLT	4	
39	M5464400003	DUCT, REAR ROOF	1	
39A	M4493503204	ACOUSTIC SHEET	1	
40	011008020	HEX. HEAD BOLT.....	10.....	REPLACES P/N 0016908020
41	M4463200304	BACK PLATE	2	
42	011106015	HEX. HEAD BOLT.....	12.....	REPLACES P/N 0016906015
43	M4463500204	ROOF BRACKET	2	
44	0019206015	HEX. HEAD BOLT	8	
45	M3317100004	BRACKET, SURGE TANK	1	
46	011008020	HEX. HEAD BOLT.....	4.....	REPLACES P/N 0016908020
47	M3424700003	DEF TANK COVER .....	1.....	S/N 8010872 AND BELOW
47	M3424700013	DEF TANK COVER .....	1.....	S/N 8010873 AND ABOVE
48	0019208020	HEX. HEAD BOLT	6	
49	M3424700104	DEF TANK COVER	1	
50	011106015	HEX. HEAD BOLT.....	4.....	REPLACES P/N 0016906015
51	0601851736	GROMMET	2	

ADD THE FOLLOWING DIGITS AFTER THE PART NUMBER WHEN ORDERING ANY PAINTED PANEL TO INDICATE COLOR OF UNIT:

1-ORANGE	6-CATERPILLAR YELLOW
2-WHITE	7-CATO GOLD
3-SPECTRUM GREY	8-RED
4-SUNBELT GREEN	9-DESERT TAN
5-BLACK	

THE SERIAL NUMBER MAY BE REQUIRED.

# ENCLOSURE 2 ASSY.



## ENCLOSURE 2 ASSY.

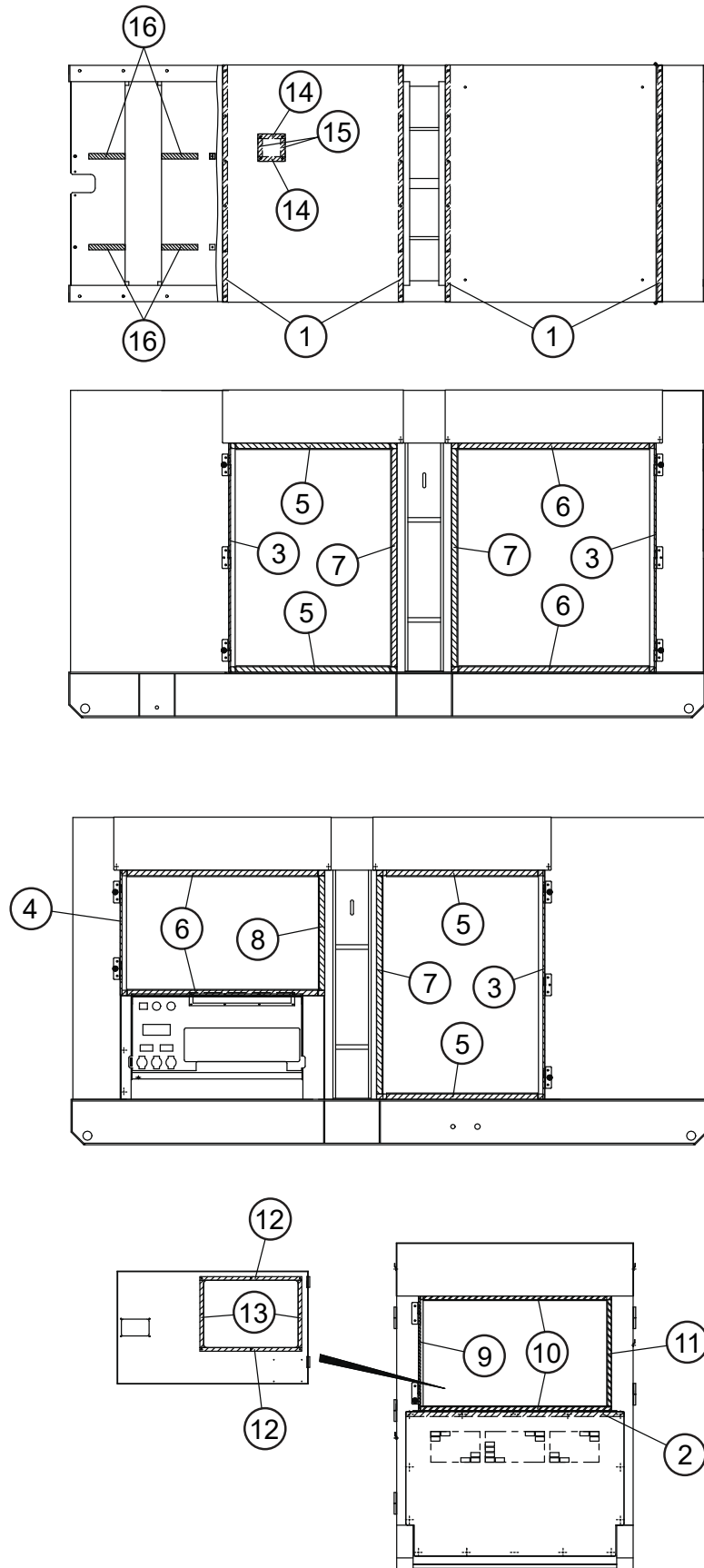
<u>NO.</u>	<u>PART NO.</u>	<u>PART NAME</u>	<u>QTY.</u>	<u>REMARKS</u>
1	M5454200302	SPLASHER PANEL	1	
1A	M5491500004	ACOUSTIC SHEET	1	
2	0019108065	HEX. HEAD BOLT	6	
2A	0042308000	WASHER, LOCK	6	
2B	031108160	WASHER, FLAT .....	6.....	REPLACES P/N 0042408000
3	M5454000703	SIDE DOOR	1	
3A	M3494406804	ACOUSTIC SHEET	1	
4	M5454000803	SIDE DOOR	1	
4A	M3494406904	ACOUSTIC SHEET	1	
5	M5454000903	SIDE DOOR	1	
5A	M3494407004	ACOUSTIC SHEET	1	
6	M5454001003	SIDE DOOR	1	
6A	M5494412804	ACOUSTIC SHEET	1	
7	M3454300604	DUCT	5	
7A	M3494407204	ACOUSTIC SHEET	4	
8	M5454300904	DUCT	1	
8A	M3494407504	ACOUSTIC SHEET	1	
9	M5454301004	DUCT	1	
9A	M3494407304	ACOUSTIC SHEET	1	
10	020108060	HEX. NUT .....	49.....	REPLACES P/N 0207008000
11	M4453600104	DOOR BRACKET	5	
12	M5454600004	DOOR BRACKET	2	
13	0019206015	HEX. HEAD BOLT	21	
14	Y0605012309	DOOR HANDLE	7	
15	0176060030	SELF-LOCKING NUT .....	28.....	REPLACES P/N 0207006000
16	0845046904	HINGE.....	5.....	REPLACES P/N M9110100804
16A	M9116100004	WASHER	5	
17	0845047004	HINGE.....	6.....	REPLACES P/N M9110100904
17A	M9116100004	WASHER	6	
18	0019208020	HEX. HEAD BOLT	25	
19	0601850097	STOPPER	8	
20	0027208025	MACHINE SCREW	8	
21	0845031504	BLIND PLUG.....	11.....	REPLACES P/N M9310000004

ADD THE FOLLOWING DIGITS AFTER THE PART NUMBER WHEN ORDERING ANY PAINTED PANEL TO INDICATE COLOR OF UNIT:

1-ORANGE	6-CATERPILLAR YELLOW
2-WHITE	7-CATO GOLD
3-SPECTRUM GREY	8-RED
4-SUNBELT GREEN	9-DESERT TAN
5-BLACK	

THE SERIAL NUMBER MAY BE REQUIRED.

# RUBBER SEALS ASSY.

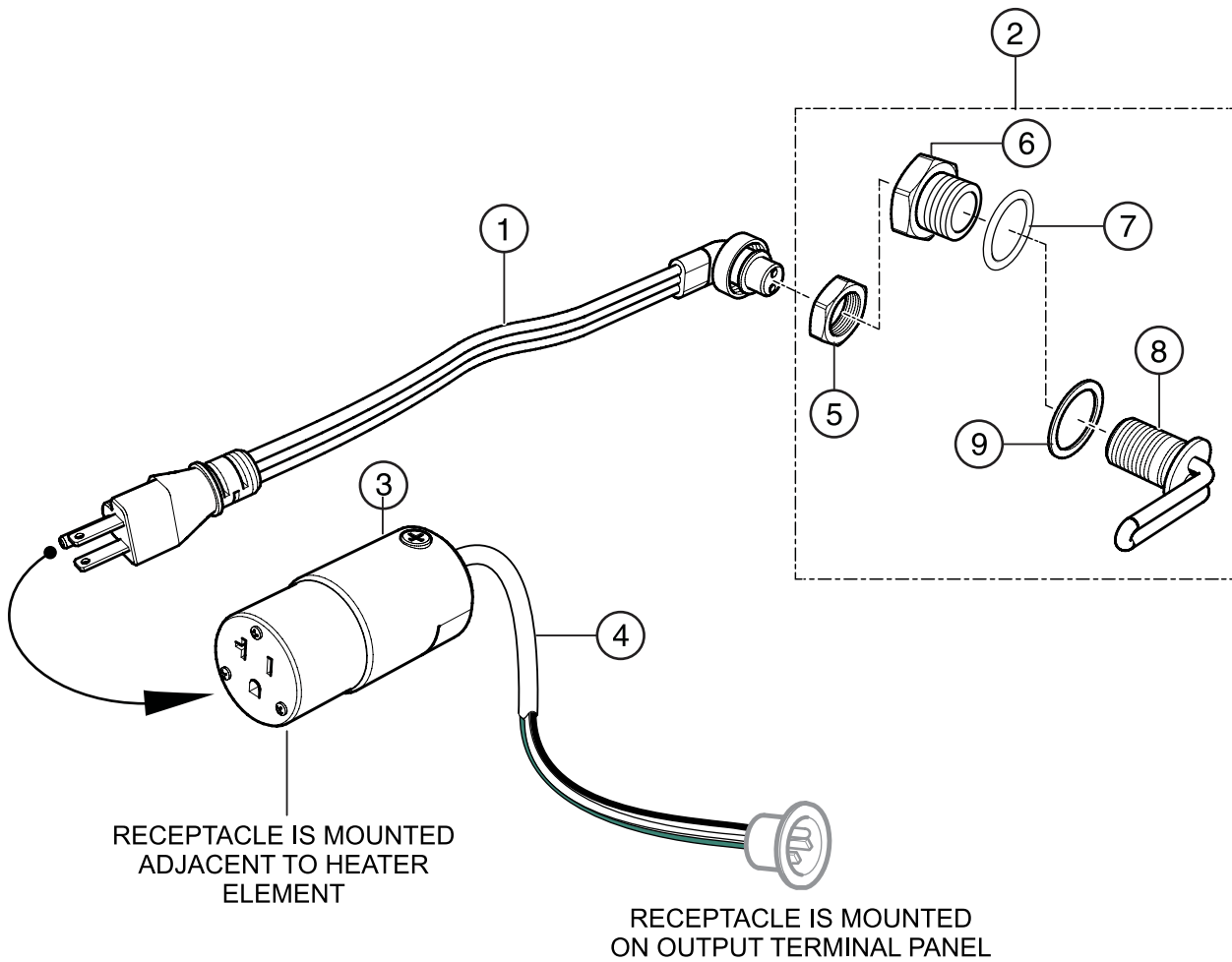


## RUBBER SEALS ASSY.

---

<u>NO.</u>	<u>PART NO.</u>	<u>PART NAME</u>	<u>QTY.</u>	<u>REMARKS</u>
1	0229201300	SEAL, RUBBER	4	
2	0229201200	SEAL, RUBBER	1	
3	0228901260	SEAL, RUBBER	3	
4	0228900690	SEAL, RUBBER	1	
5	0228900915	SEAL, RUBBER	4	
6	0228901155	SEAL, RUBBER	4	
7	0228901200	SEAL, RUBBER	3	
8	0228900630	SEAL, RUBBER	1	
9	0229400630	SEAL, RUBBER	1	
10	0228801050	SEAL, RUBBER	2	
11	0228800590	SEAL, RUBBER	1	
12	0228100560	SEAL, RUBBER	2	
13	0228100370	SEAL, RUBBER	2	
14	Y0229200145	SEAL, RUBBER	2	
15	Y0229200100	SEAL, RUBBER	2	
16	0222100200	SEAL, RUBBER	4	

# WATER HEATING ELEMENT ASSY. (OPTION)

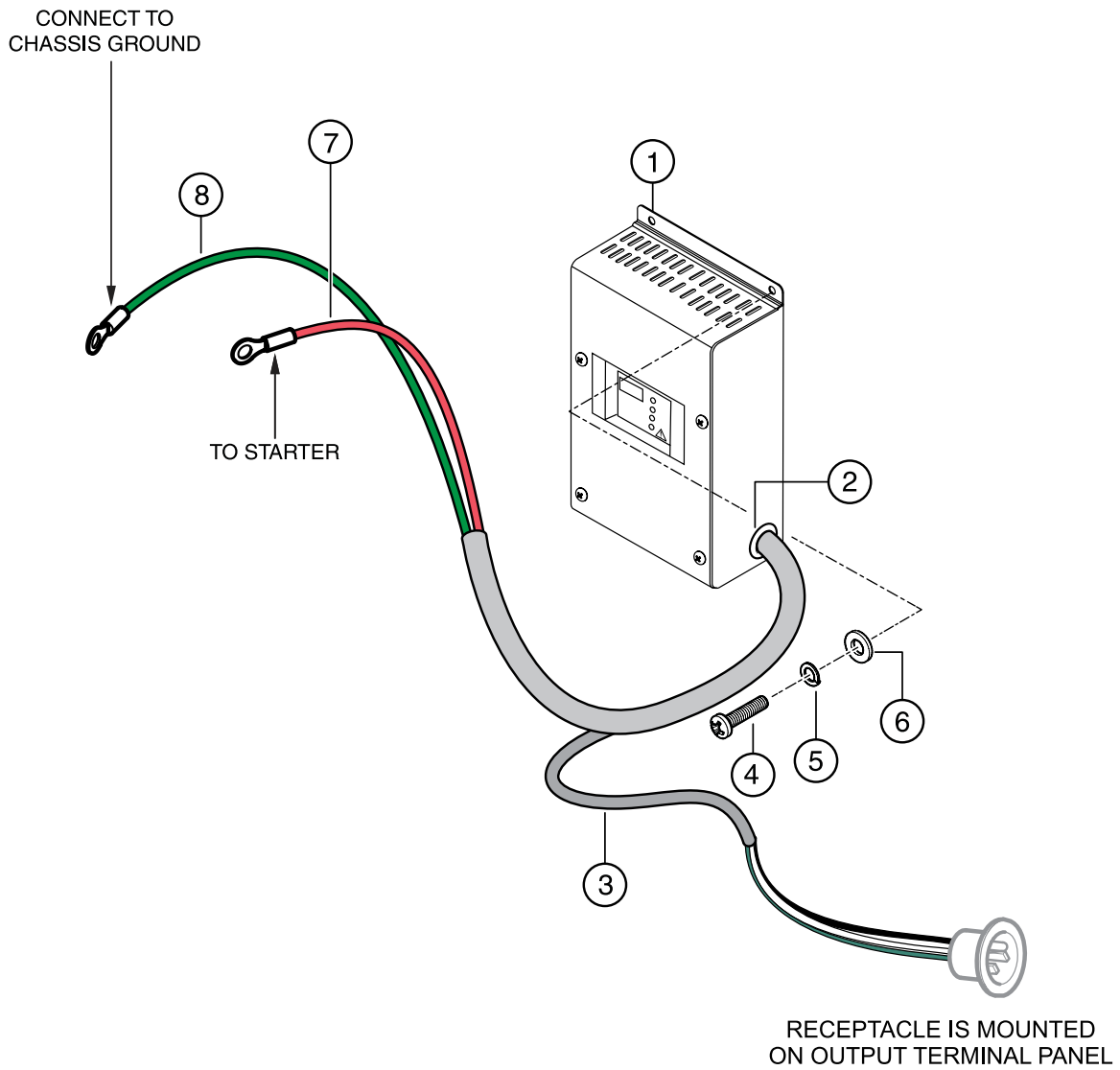


## **WATER HEATING ELEMENT ASSY. (OPTION)**

---

<u>NO.</u>	<u>PART NO.</u>	<u>PART NAME</u>	<u>QTY.</u>	<u>REMARKS</u>
1	AR50411	CORD ASSY., 110V	1	
2	EE54798	COOLANT HEATER KIT, 110V .....	1.....	INCLUDES ITEMS W/\$
3	HBL5369C	CONNECTOR, 20 AMP, 125V	1	
4	EE56557	CORD, CAROL 3/C 14 AWG .....	10.....	1PC=1FT
5\$		NUT, CLAMPING	1	
6\$		ADAPTER	1	
7\$		O-RING	1	
8\$		HEATER ELEMENT, 1000 WATT	1	
9\$		GASKET	1	

# BATTERY CHARGER ASSY. (OPTION)

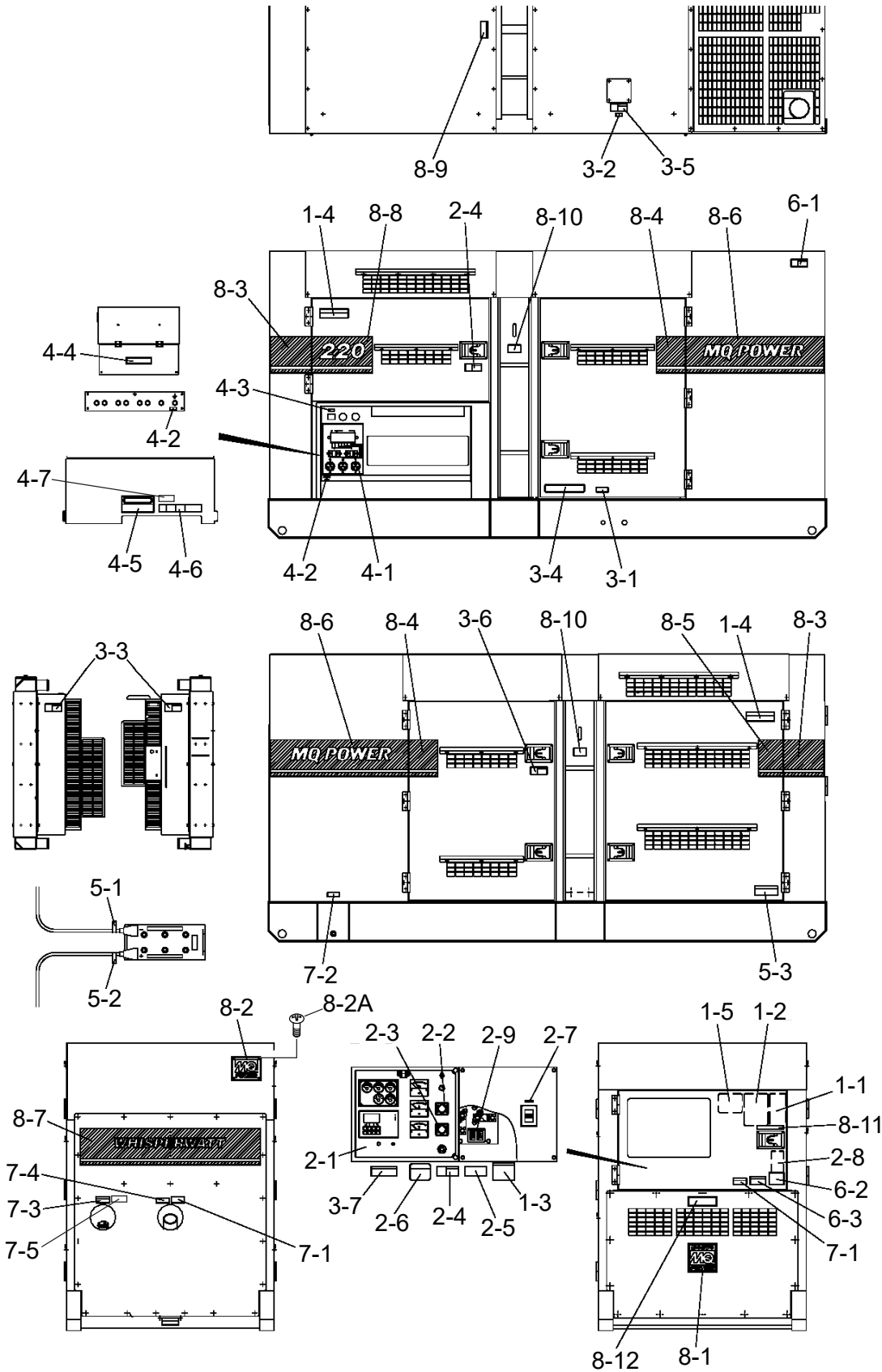


## **BATTERY CHARGER ASSY. (OPTION)**

---

<u>NO.</u>	<u>PART NO.</u>	<u>PART NAME</u>	<u>QTY.</u>	<u>REMARKS</u>
1	EE57370	CHARGER BATTERY, 10 AMP 12/24V	1	
2		GROMMET, 7/8" HOLE SIZE .....	1.....	OBTAIN LOCALLY
3	EE56557	CORD, 3-CONDUCTOR, 14 AWG (6 FT.) .....	1.....	1PC=1FT
4		SCREW, M4X10 .....	4.....	OBTAIN LOCALLY
5		WASHER, LOCK M4.....	4.....	OBTAIN LOCALLY
6		WASHER, FLAT M4.....	4.....	OBTAIN LOCALLY
7		WIRE, 16GA, RED (9 FT.) .....	1.....	OBTAIN LOCALLY
8		WIRE, 16GA, GREEN (9 FT.) .....	1.....	OBTAIN LOCALLY

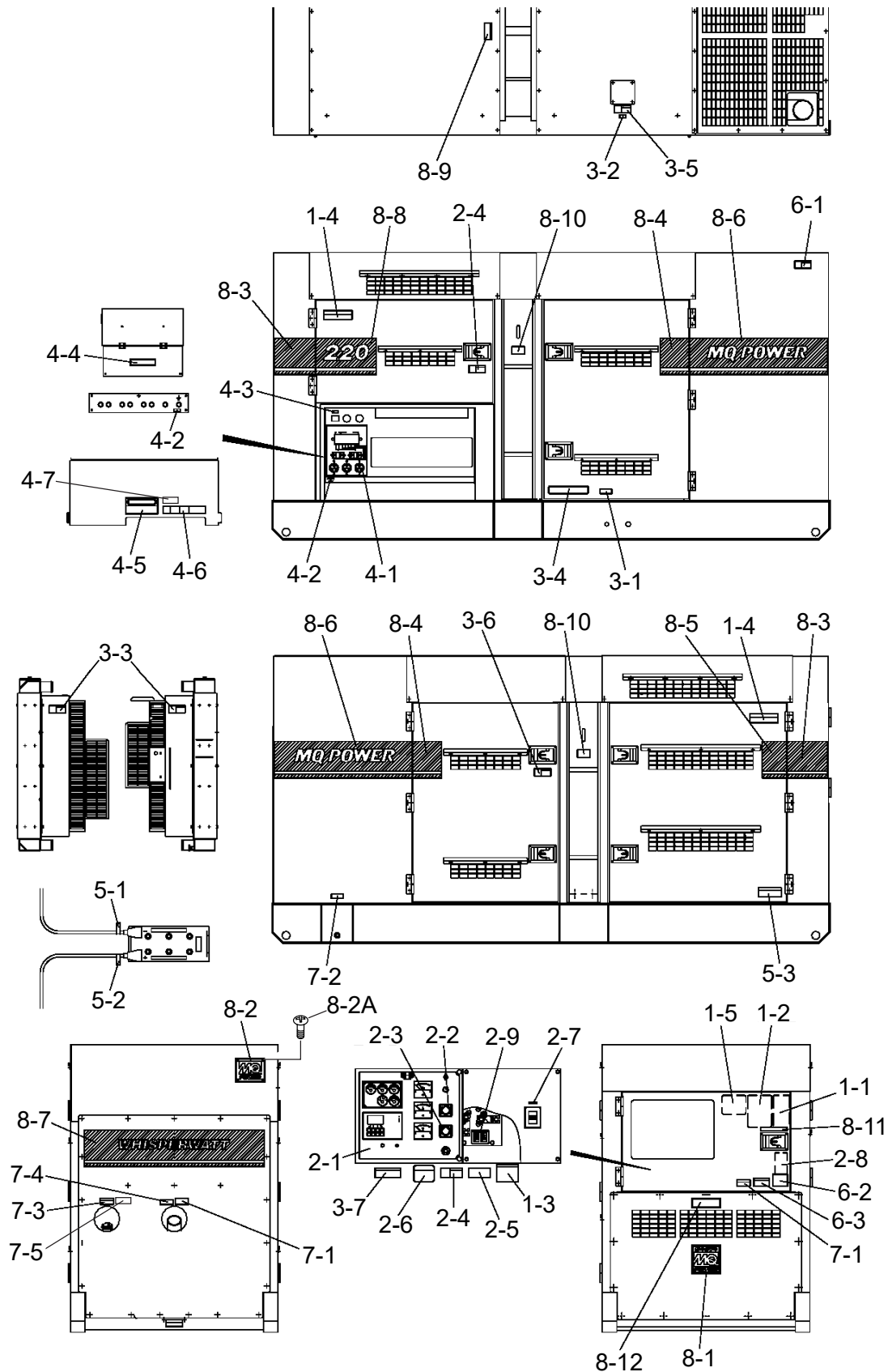
# NAMEPLATE AND DECALS ASSY.



## NAMEPLATE AND DECALS ASSY.

<b>NO.</b>	<b>PART NO.</b>	<b>PART NAME</b>	<b>QTY.</b>	<b>REMARKS</b>
1-1	M3551000103	DECAL: OPERATING PRECAUTIONS.....	1.....	M35100010
1-2	M3551000303	DECAL: DPF REGENERATION PROCED.....	1.....	M35100030
1-3	M9520100304	DECAL: SAFETY INSTRUCTIONS .....	1.....	M92010030
1-4	M9520100603	DECAL: CAUTION .....	2.....	M92010060
1-5	M3551000603	DECAL: SCR INDICATOR .....	1.....	M35100060
<b>CONTROL PANEL AND BOX GROUP</b>				
2-1	M5551000602	DECAL: CONTROL PANEL .....	1.....	M55100060
2-2	M9520000104	PLATE: AMMETER CHANGE-OVER SW. ....	1.....	M92000010
2-3	M9520000204	PLATE: VOLTMETER CHANGE-OVER SW. ....	1.....	M92000020
2-4	M9520100004	DECAL: WARNING: ELECT. SHCK. HAZARD...2.....		M92010000
2-5	M9520100704	DECAL: WARNING: ARC FLASH .....	1.....	M92010070
2-6	M9520200404	DECAL: O. C. R. RESET .....	1.....	M92020040
2-7	M9522000504	DECAL: CIRCUIT BREAKER .....	1.....	M92200050
2-8	M9520200303	DECAL: SETTING FOR OUTPUT VOLTAGE ...1.....		M92020030
2-9	M9520200504	DECAL: SETTING FOR OUTPUT VOLTAGE(S)1.....		M92020050
<b>ENGINE AND RADIATOR GROUP</b>				
3-1	M9500000004	DECAL: OIL DRAIN .....	1.....	M90000000
3-2	M9500100004	DECAL: WATER .....	1.....	M90010000
3-3	M9503000004	DECAL: WARNING: ROTATING PART.....2.....		M90300000
3-4	M9503000103	DECAL: WATER-OIL CHECK .....	1.....	M90300010
3-5	M9503100004	DECAL: WARNING: HOT COOLANT .....	1.....	M90310000
3-6	M9510100004	DECAL: CAUTION: HOT PARTS .....	1.....	M91010000
3-7	M9501300004	DECAL: CAUTION: BATTERY CABLES .....	1.....	M90130000
<b>OUTPUT TERMINAL GROUP</b>				
4-1	M4550000503	DECAL: RECEPTACLE & CIRC. BREAKER.....1.....		M45000050
4-2	M9520000004	DECAL: GROUND .....	2.....	M92000000
4-3	M9520000504	DECAL: START CONTACT .....	1.....	M92000050
4-4	M9520000704	DECAL: 3-PHASE OUTPUT TERMINAL.....1.....		M92000070
4-5	M9520100404	DECAL: DANGER: HIGH VOLTAGE .....	1.....	M92010040
4-6	M9520100503	DECAL: WARNING .....	1.....	M92010050
4-7	M9521200604	DECAL: BONDED NEUTRAL.....1.....		M92120060
S/N 8010862 AND ABOVE				
<b>BATTERY GROUP</b>				
5-1	M9500300004	DECAL: - .....	1.....	M90030000
5-2	M9500300104	DECAL: + .....	1.....	M90030010
5-3	M951000403	DECAL: CAUTION .....	1.....	M91010040A

# NAMEPLATE AND DECALS ASSY. (CONT'D.)



## NAMEPLATE AND DECALS ASSY. (CONT'D.)

<u>NO.</u>	<u>PART NO.</u>	<u>PART NAME</u>	<u>QTY.</u>	<u>REMARKS</u>
<b>MUFFLER GROUP</b>				
6-1	M9503200004	DECAL: WARNING: ENGINE EXHAUST.....	1.....	M90320000
6-2	M9503200104	DECAL: DANGER: EXHAUST .....	1.....	M90320010
6-3	920214100	DECAL: WARNING: START FIRES .....	1.....	REPLACES P/N M9504200004 M90420000
<b>FUEL TANK GROUP</b>				
7-1	M9501500004	DECAL: DIESEL FUEL .....	2.....	M90150000
7-2	M9500500104	DECAL: FUEL DRAIN PLUG.....	1.....	M90050010
7-3	M9501500104	DECAL: DIESEL EXHAUST FLUID .....	1.....	M90150010
7-4	M9504500004	DECAL: REFILL DEF AS WELL .....	1.....	M90450000
7-5	M9541100004	DECAL: CAUTION: EXHAUST FLUID ONLY .....	1.....	M94110000 S/N 8010993 AND ABOVE
<b>ENCLOSURE GROUP</b>				
8-1	M9511200204	DECAL: MQ .....	1.....	M91120020
8-2	0600500092	EMBLEM	1	
8-2A	0021106015	MACHINE SCREW	4	
8-3	M4560100704	STRIPE	2	
8-4	M5561101104	STRIPE	2	
8-5	M5561101204	STRIPE	1	
8-6	M3561100203	STRIPE	2	
8-7	M4560100003	STRIPE	1	
8-8	M5561101004	STRIPE	1	
8-9	M3550002204	DECAL: CAUTION .....	1.....	M35000220
8-10	M9512000004	DECAL: SUPPORT HOOK .....	2.....	M91200000
8-11	M9510000104	DECAL: DOCUMENT BOX LOCATED .....	1.....	M91000010
8-12	M9511200103	DECAL: TIER 4F .....	1.....	M91120010