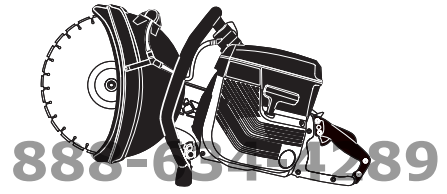


PARTNER

ConstructionParts.com



888-634-4289

IPL, K 650 Active III, K 700 Active III, 2002-03, 106 27 55-63

ConstructionParts.com

K 650 Active III

K 700 Active III

Reservdelar

Spare parts

Ersatzteile

Pieces de rechange

Piezas de repuesto

Ricambi

Peças

sobresselente

ConstructionParts.com

888-634-4289

106 27 55-63

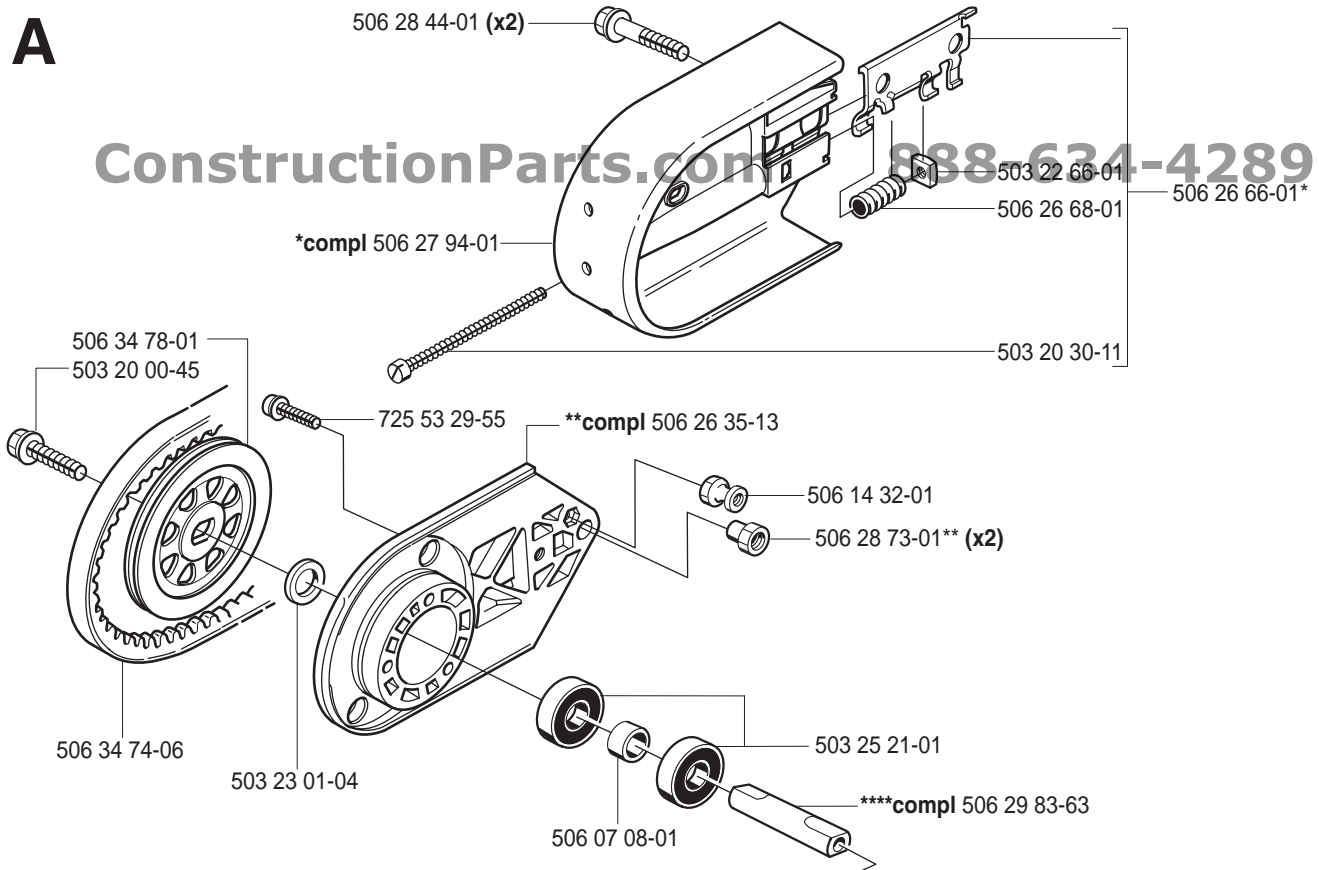
PARTNER®

No.	Pos.	Description	No.	Pos.	Description
501 22 02-01	M	Plug	503 49 10-01	K	Gasket
501 22 03-01	M	Plug	503 53 40-01	M	Nipple
501 22 04-01	M	Ball	503 55 22-01	K	Plug
501 22 05-01	M	Spring	503 57 86-01	M	Ball
501 22 08-01	M	Gasket	503 57 87-01	M	Screw
501 22 09-01	M	Diaphragm	503 57 89-01	L	Holder
501 22 12-01	M	Fuel pump diaphragm	503 65 27-01	M	Screw
501 22 13-01	M	Gasket, pump side	503 65 30-01	M	Washer
501 22 14-01	M	Cap	503 65 31-01	M	Washer
501 22 15-01	M	Screw	503 71 53-01	K	Valve decompr.
501 22 20-01	M	Lever	503 74 43-01	B	Spring
501 22 21-01	M	Shaft	506 74 44-04	B	Clutch
501 22 24-01	M	Filter	503 77 98-01	M	Valve
501 22 25-01	M	Spring	503 84 50-01	G	Cable
501 42 71-01	M	Bushing	503 89 16-01	D	Spring
501 48 50-01	M	Gasket	503 90 17-01	G	Ignition module
501 48 52-01	M	Screw	504 35 72-01	L	Fuel filter
501 48 54-02	G	Spark plug conn. kit	505 26 76-73	D	Spacer
501 49 48-02	M	Diaphragm/gasket set	505 26 94-27	D	Throttle rod
501 63 48-01	G	Spring	505 27 75-16	G	Insulating cap
501 67 32-03	G	Pawl	505 27 90-60	H	Insul. flange
501 69 17-02	J	Comb. tool	505 27 91-03	D	Throttle control
501 76 83-04	L	Hose	505 27 91-04	D	Throttle catch
501 76 83-26	L	Hose, 245 mm	505 27 95-11	D	Absorber
501 81 99-01	G	Screw M5x14	505 29 56-14	D	Spring
501 82 18-01	M	Retaining ring	505 30 23-33	L	Needle bearing
503 12 79-02	F	Starter handle	505 30 24-15	B	Needle bearing
503 15 59-02	D	Bracket right	505 31 61-14	M	Shutter
503 20 00-01	D	Screw M6SF 5x20	505 31 64-95	M	Sealing ring
503 20 00-03	E	Screw M6SF 5x12	505 31 65-50	M	Needle
503 20 00-04	C	Screw M6SF 5x16	505 31 66-05	M	Spring
503 20 00-05	CK	Screw M6SF 5X25	505 31 66-19	M	Throttle shaft
503 20 00-06	C	Screw M6SF 5X35	505 34 11-62	K	Piston cpl 50 mm
503 20 00-07	L	Screw M6SF 5x40	505 35 01-50	K	Silencer
503 20 00-08	CDL	Screw M6SF 5x30	506 02 87-01	A	Washer
503 20 00-09	K	Screw M6SF 5x45	506 02 88-30	A	Bushing
503 20 00-10	D	Screw M6SF 5x55	506 03 88-01	A	Warning label
503 20 00-45	A	Screw	506 03 95-20	A	Bushing
503 20 02-12	A	Screw	506 03 95-22	A	Bushing
503 20 02-35	C	Screw MC6SF 5x35	506 03 95-25	A	Bushing
503 20 02-90	E	Screw	506 07 08-01	A	Spacer
503 20 21-75	H	Screw	506 07 11-13	L	Hose
503 20 25-20	G	Screw	506 09 56-02	N	Clamp
503 20 30-11	A	Screw	506 09 64-01	H	Gasket
503 20 34-19	BCF	Screw	506 09 90-01	K	Piston cpl 50 mm
503 20 34-25	F	Screw	506 09 92-12	K	Cylinder cpl
503 20 34-42	E	Screw	506 13 95-11	A	Washer
503 21 06-19	N	Screw	506 13 96-01	A	Screw
503 21 06-25	C	Screw	506 14 32-01	A	Catch
503 21 06-43	C	Screw	506 21 27-02	K	Gasket
503 21 07-22	F	Screw	506 21 77-14	E	Cylinder cover
503 21 28-10	DF	Screw	506 21 78-12	E	Filter holder
503 22 04-01	G	Lock nut	506 21 79-01	E	Filter cover
503 22 05-01	C	Nut	506 21 86-02	G	Flywheel compl.
503 22 65-04	CD	Nut	506 21 89-02	F	Starter housing
503 22 66-01	A	Nut	506 21 90-01	F	Air conductor
503 23 00-11	D	Washer 5.3x12	506 21 91-01	L	Grommet
503 23 00-42	GH	Washer	506 21 98-01	E	Air jet
503 23 00-70	B	Washer	506 22 23-01	E	Sealing
503 23 01-04	A	Washer 15x21	506 22 24-01	E	Sealing
503 23 51-08	G	Spark plug RCJ7Y	506 22 42-01	E	Air filter
503 25 00-01	L	Ball bearing MFG SKF	506 22 44-01	D	Guide
503 25 21-01	A	Ball bear. 6202 DDU/C3	506 22 45-01	D	Choke control
503 26 02-04	L	Sealing ring	506 22 48-01	D	Holder
503 26 30-21	N	O-ring	506 22 63-01	E	Filter
503 28 90-17	K	Piston ring	506 23 54-02	F	Decal
503 40 13-02	D	Bracket left	506 23 61-01	L	Tank vent.
503 40 17-01	D	Contact spring	506 23 83-01	M	Choke flap
503 40 27-01	L	Spacer	506 23 93-01	E	Decal
503 41 18-02	G	Cable	506 24 37-13	K	Cylinder cpl

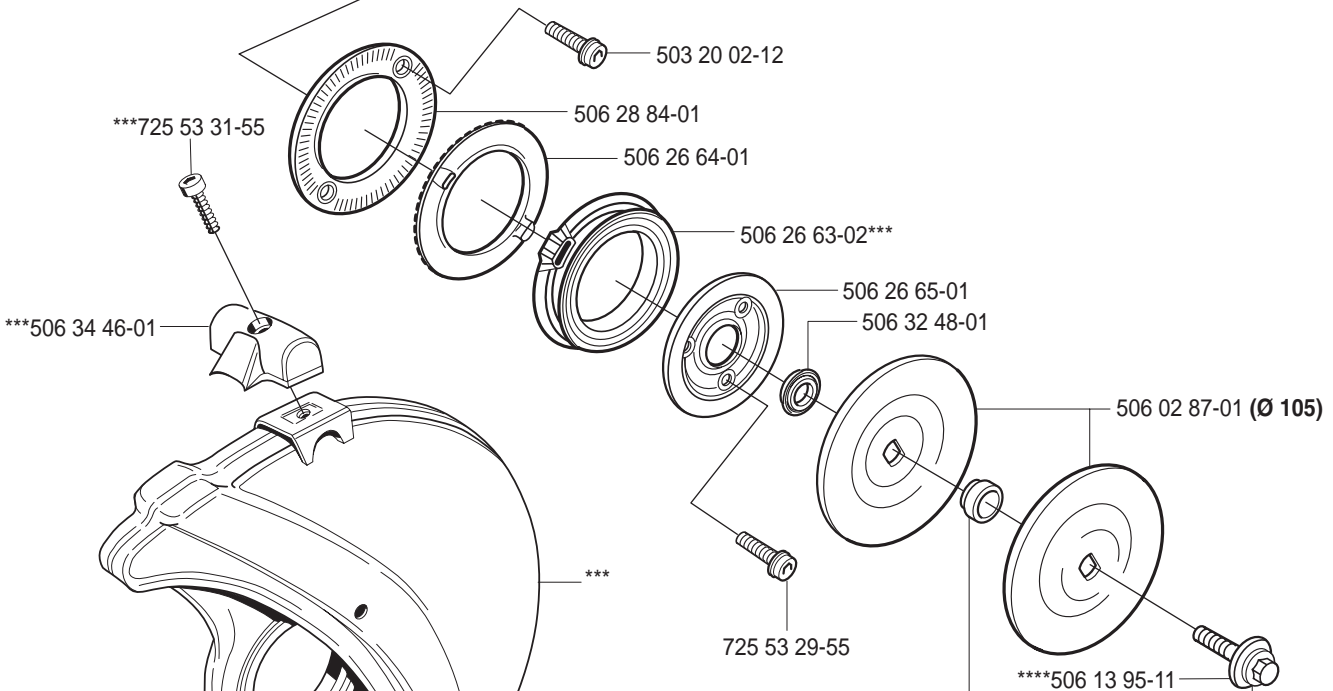
No.	Pos.	Description	No.	Pos.	Description
506 25 14-01	F	Washer	506 33 98-01	B	Decal
506 25 30-01	F	Spring	506 34 05-12	A	"Guard 12""
506 25 59-32	L	Tank cap	506 34 05-14	A	"Guard 14""
506 25 61-01	L	Tank unit	506 34 07-01	K	Deflector
506 25 81-02	F	Starter pulley	506 34 28-02	L	Crankcase cpl
506 25 82-01	E	Guard	506 34 40-01	L	Gasket
506 25 89-01	F	Return spring	506 34 46-01	A	Handle
506 25 95-01	F	Starter device	506 34 56-01	L	Protector
506 26 28-01	D	Spring	506 34 66-01	M	Governor
506 26 30-02	D	Knob	506 34 74-06	A	Belt
506 26 31-01	F	Sleeve	506 34 78-01	A	Pulley
506 26 35-13	A	Housing	506 34 82-01	C	Clamp
506 26 41-01	L	Fuel filter	506 34 84-01	C	Handle
506 26 41-11	L	Fuel filter cpl	506 34 88-01	J	Gasket set
506 26 63-02	A	Lining	506 35 08-01	D	Handle right
506 26 64-01	A	Ratchet plate	506 35 09-11	D	Handle left half
506 26 65-01	A	Flange	506 35 10-01	L	Crankshaft
506 26 66-01	A	Tensioner	506 35 33-01	C	Absorber
506 26 68-01	A	Spring	506 35 37-01	C	Support
506 26 85-01	H	Rubber seal	506 35 51-01	C	Handle wrap cpl
506 27 11-01	L	Fuel filter weight	720 13 07-10	L	Pin
506 27 14-01	M	Screw	721 42 58-20	D	Spring pin 4x24
506 27 56-01	M	Choke shaft	725 52 95-55	E	Screw MC6S 4x20
506 27 57-01	M	Felt seal	725 53 29-55	A	Screw mc6s 5x16
506 27 61-01	M	Cup	725 53 31-55	A	Screw mc6s 5x20
506 27 84-12	E	Decal	735 58 18-00	D	Lock washer 2.4
506 27 84-21	E	Decal	735 88 06-00	L	Woodruff key
506 27 84-23	E	Decal	737 43 12-00	K	Retaining ring
506 27 94-01	A	Cover	740 42 01-00	H	O-ring
506 28 39-30	E	Sealing	740 43 13-00	F	O-ring
506 28 40-02	A	Label	740 48 07-03	B	O-ring
506 28 40-04	A	Label			
506 28 40-12	A	Label			
506 28 40-14	A	Label			
506 28 44-01	A	Bolt			
506 28 73-01	A	Nut			
506 28 84-01	A	Ratchet plate			
506 29 21-01	L	Gasket			
506 29 56-01	N	Nipple			
506 29 57-01	N	Nipple			
506 29 65-01	C	Absorber			
506 29 83-63	A	Shaft			
506 29 88-01	N	Screw			
506 31 15-01	M	Insert			
506 31 61-01	M	Cover			
506 31 74-01	L	Bushing			
506 31 77-11	N	Valve cpl			
506 31 88-01	H	Intake pipe			
506 31 96-01	C	Holder			
506 32 02-01	H	Gasket			
506 32 03-01	H	Gasket			
506 32 12-01	M	Repair kit			
506 32 15-02	HM	Carburetor cpl			
506 32 48-01	A	Sleeve			
506 32 87-01	N	Y-tube			
506 32 89-03	N	Wet cutting kit			
506 32 91-01	B	Cutting arm			
506 33 15-01	B	Drive wheel			
506 33 16-01	B	Washer			
506 33 56-15	F	Starter rope			
506 33 57-01	C	Handle			
506 33 58-01	C	Support			
506 33 59-01	C	Support			
506 33 60-01	C	Support			
506 33 61-01	C	Support			
506 33 68-01	C	Spring mount			
506 33 69-01	C	Spring mount			
506 33 94-01	L	Cap			
506 33 97-01	E	Decal			
506 33 97-02	E	Decal			

A

ConstructionParts.com 888-634-4289



ConstructionParts.com



ConstructionParts.com 888-634-4289

***compl 506 34 05-12 K650 (12")
***compl 506 34 05-14 K700 (14")

506 03 88-01



12" 506 28 40-02 Ø 20mm
12" 506 28 40-04 Ø 1"
14" 506 28 40-12 Ø 20mm
14" 506 28 40-14 Ø 1"

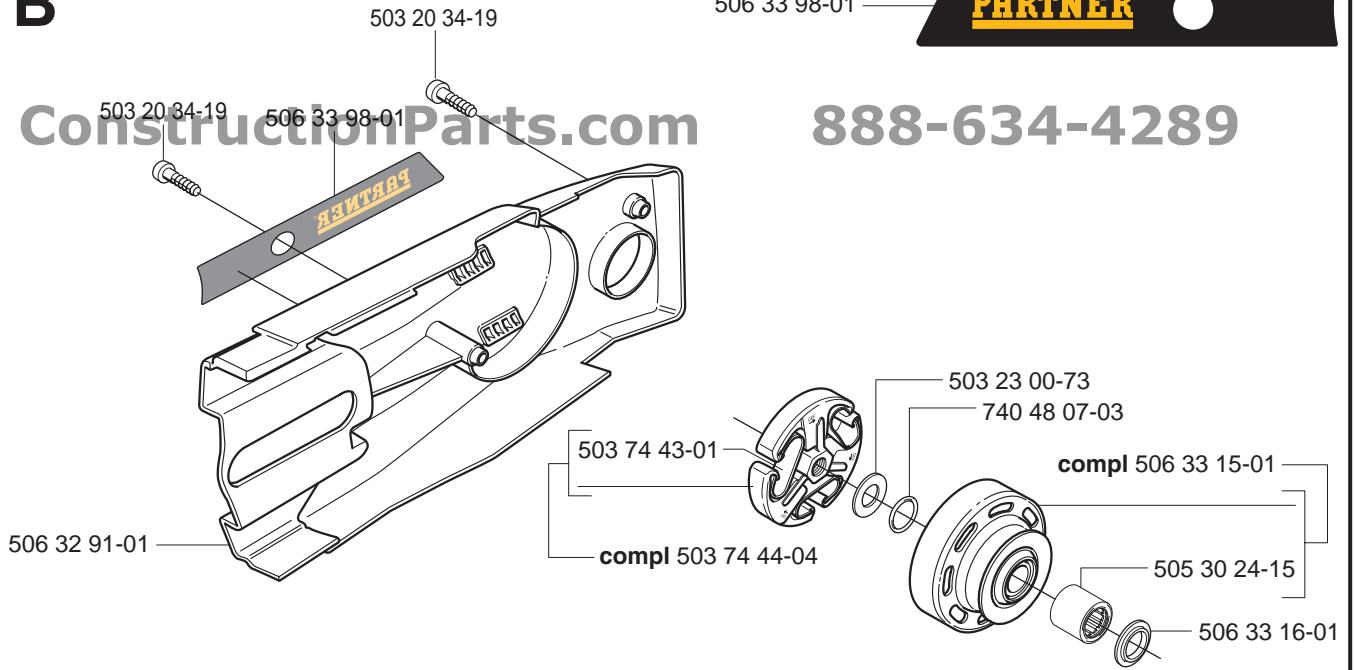
B

506 33 98-01



ConstructionParts.com

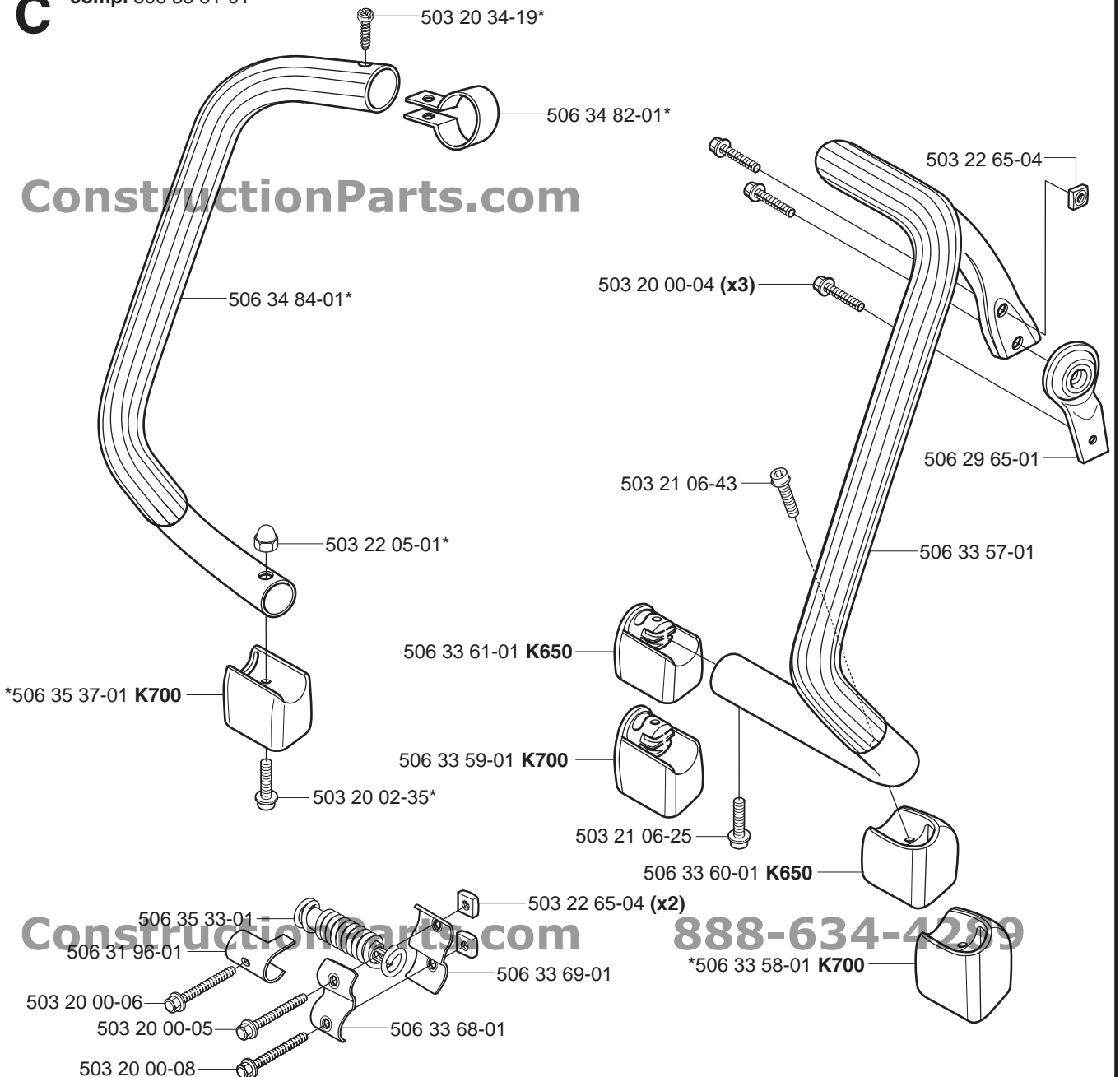
888-634-4289



C

*compl 506 35 51-01

ConstructionParts.com



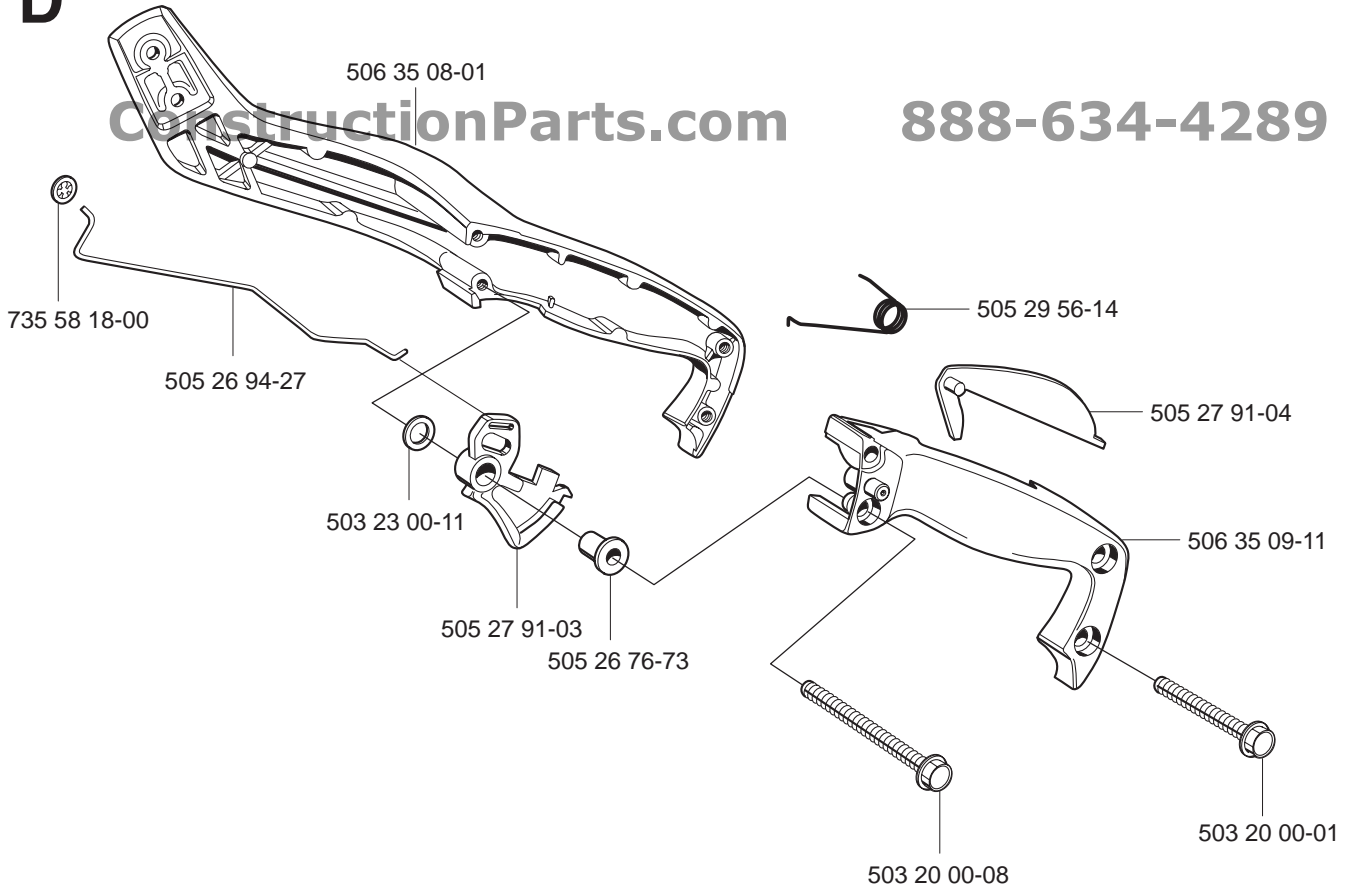
ConstructionParts.com

888-634-4289

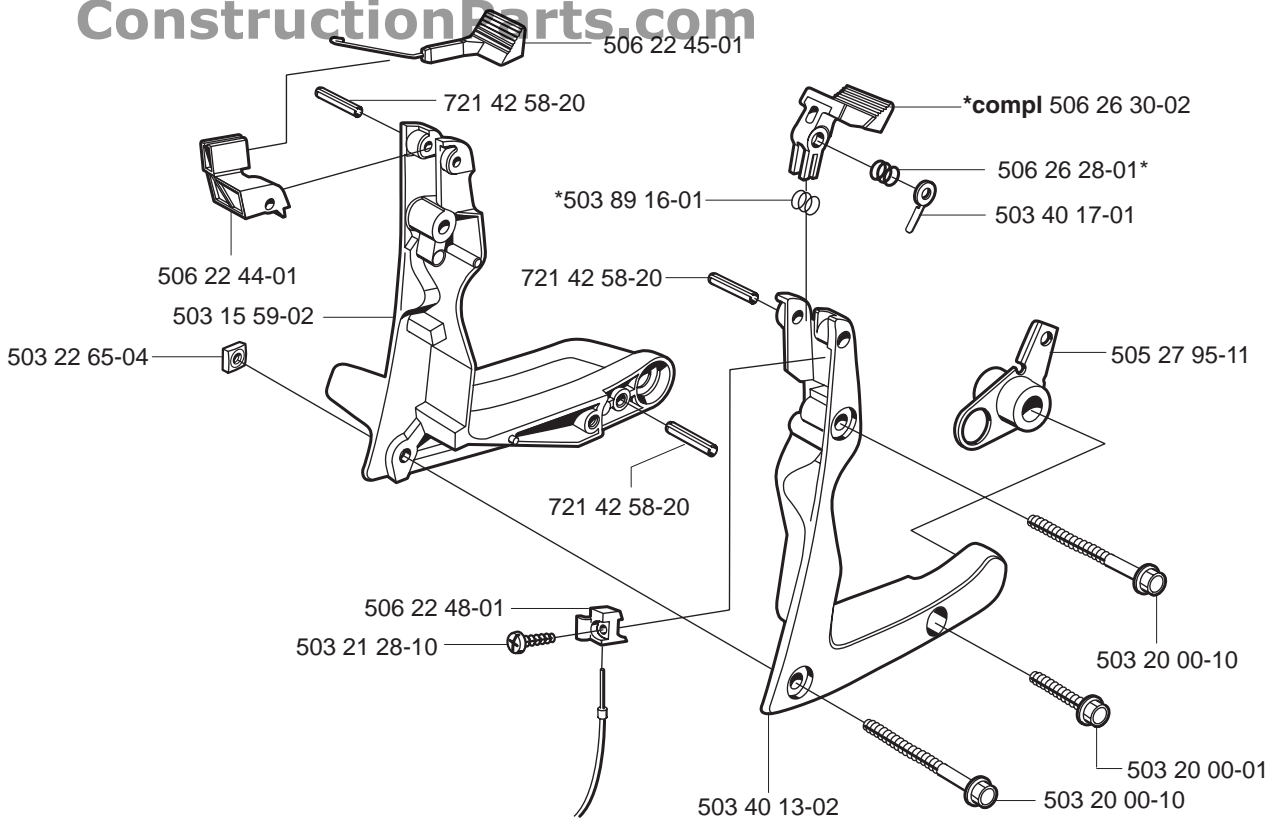
D

ConstructionParts.com

888-634-4289



ConstructionParts.com



ConstructionParts.com

888-634-4289

E

506 27 84-12
CE



506 27 84-23
EPA Canada

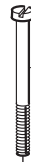


506 27 84-21
EPA USA

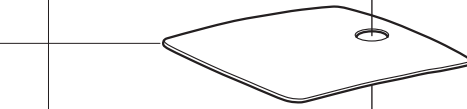


ConstructionParts.com

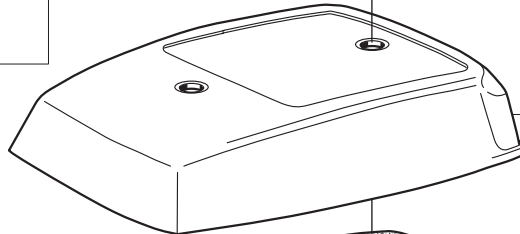
888-634-4289



503 20 34-42

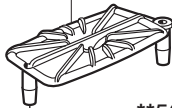


506 21 79-01

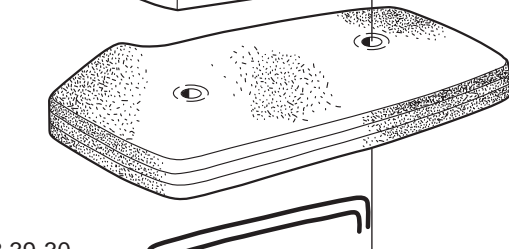


506 22 63-01

**506 25 82-01

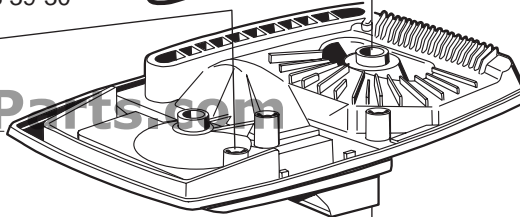


**506 28 39-30

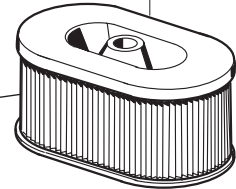


ConstructionParts.com

**compl 506 21 78-12



506 22 42-01



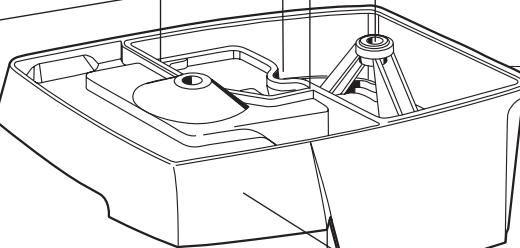
503 20 02-90



506 28 39-30*



*compl 506 21 77-14



506 23 93-01*



506 33 97-02



506 33 97-01

506 22 23-01



506 33 97-02
506 33 97-01



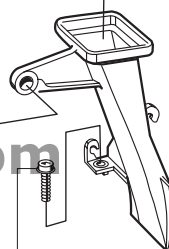
ConstructionParts.com

888-634-4289

506 22 24-01

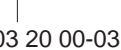


725 52 95-55

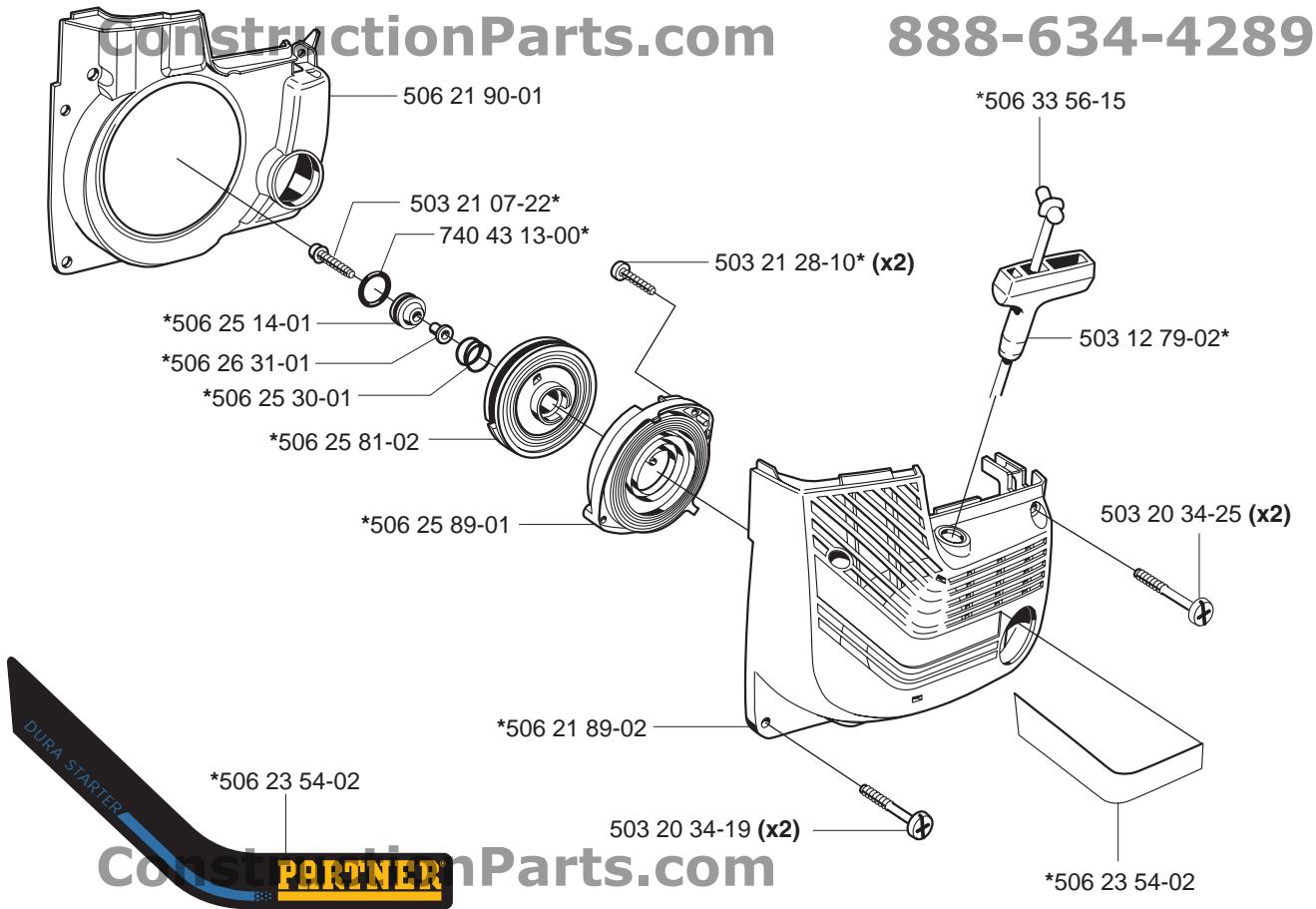


506 21 98-01

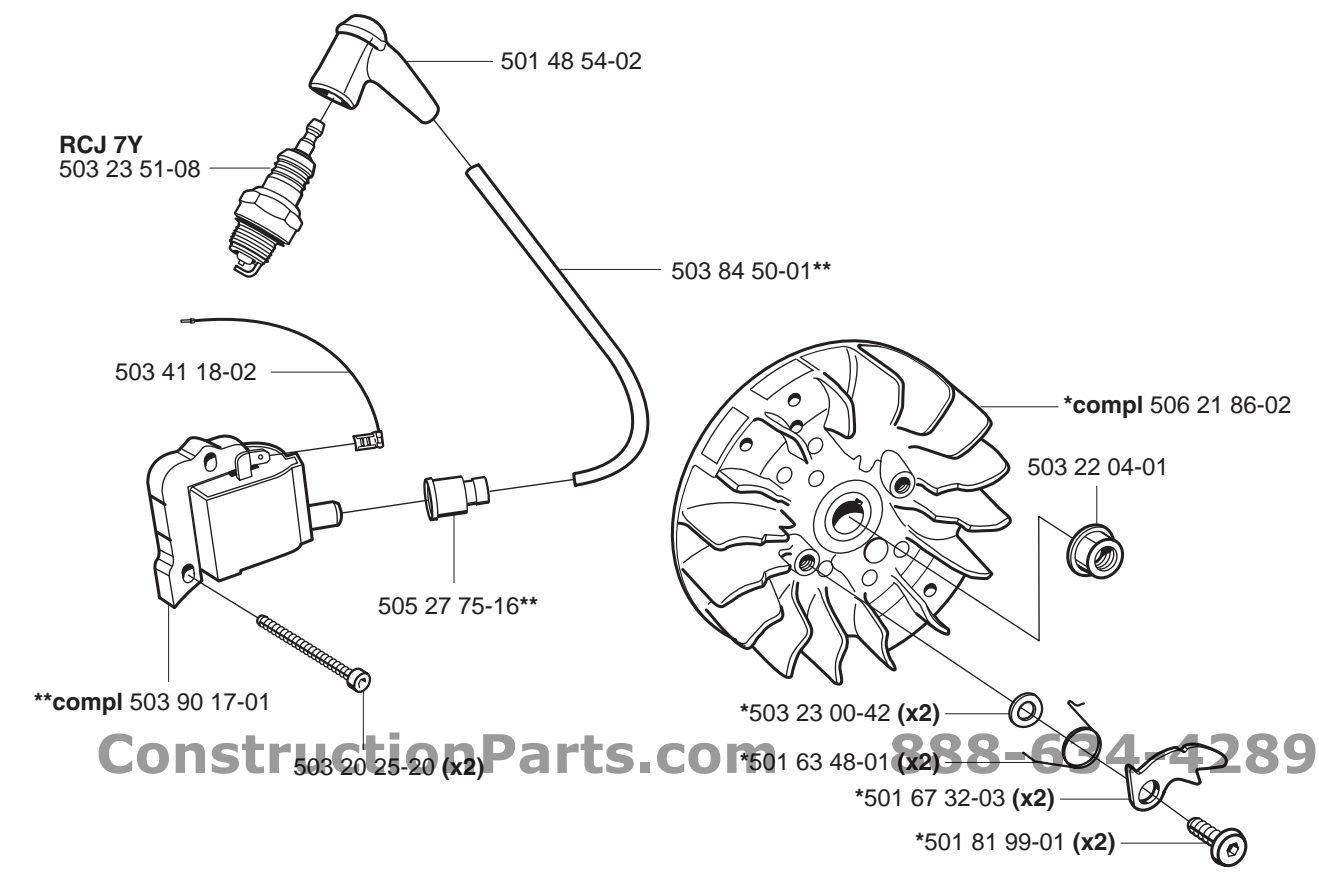
503 20 00-03



F *compl 506 25 95-01



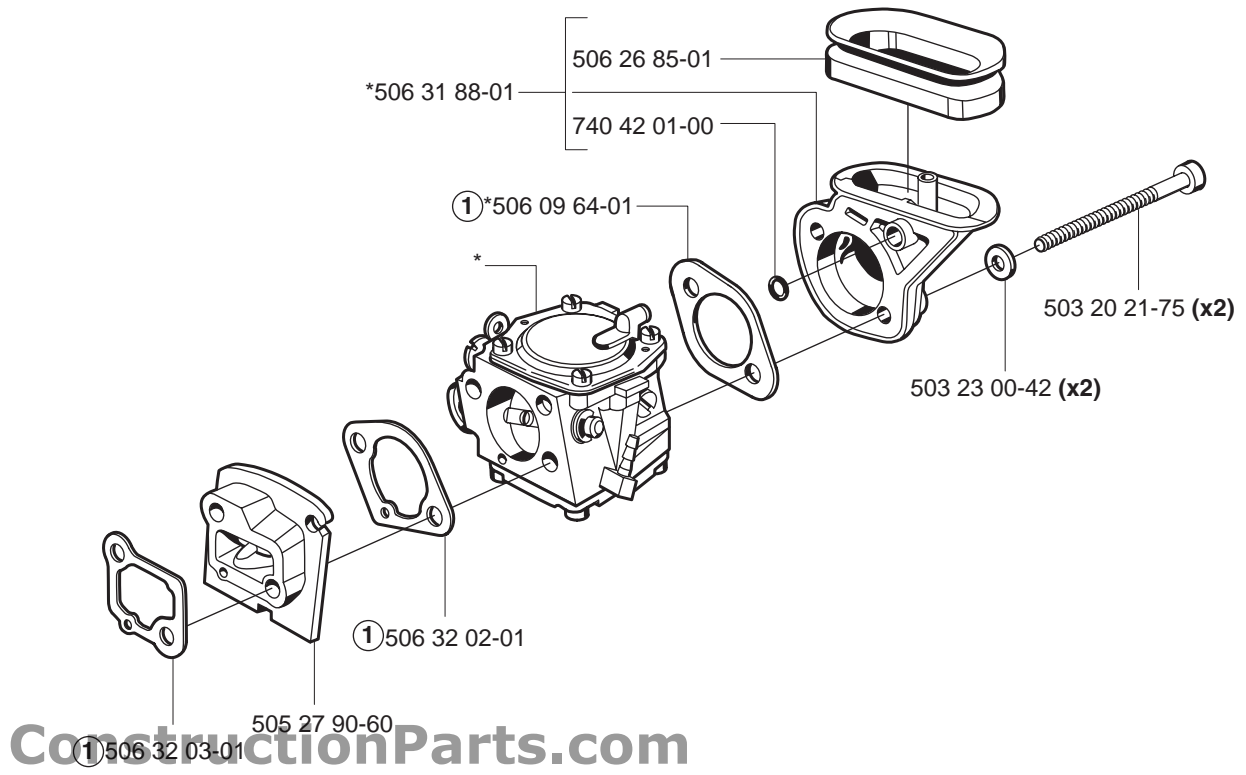
G



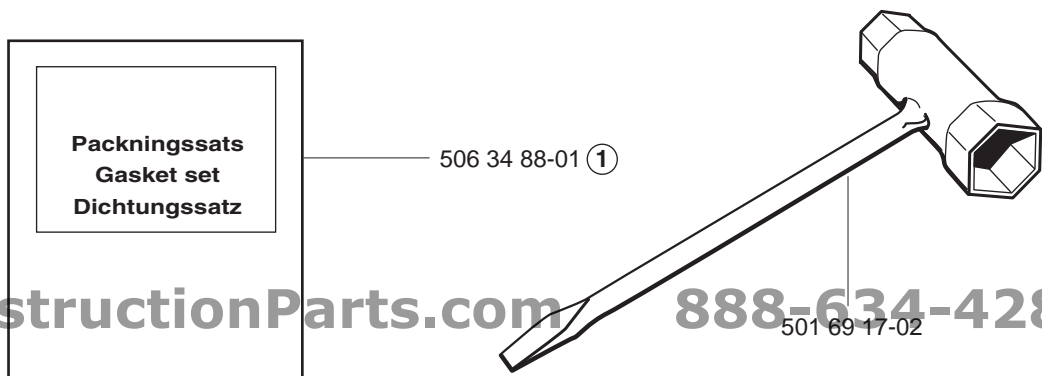
H Carburettor kit: *compl 506 32 15-02

ConstructionParts.com

888-634-4289



J



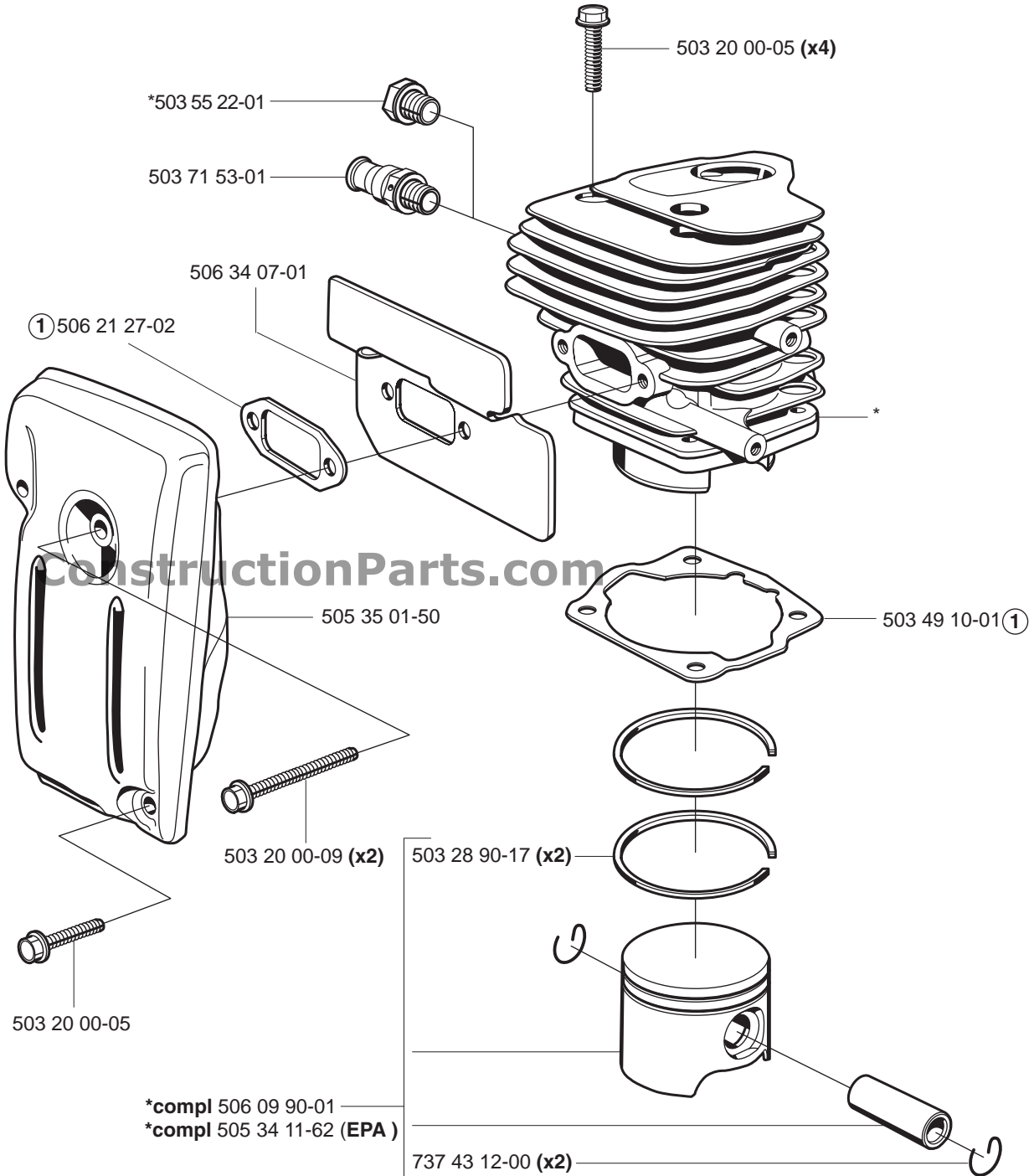
888-634-4289

K

*compl 506 09 92-12
*compl 506 24 37-13 (EPA)

ConstructionParts.com

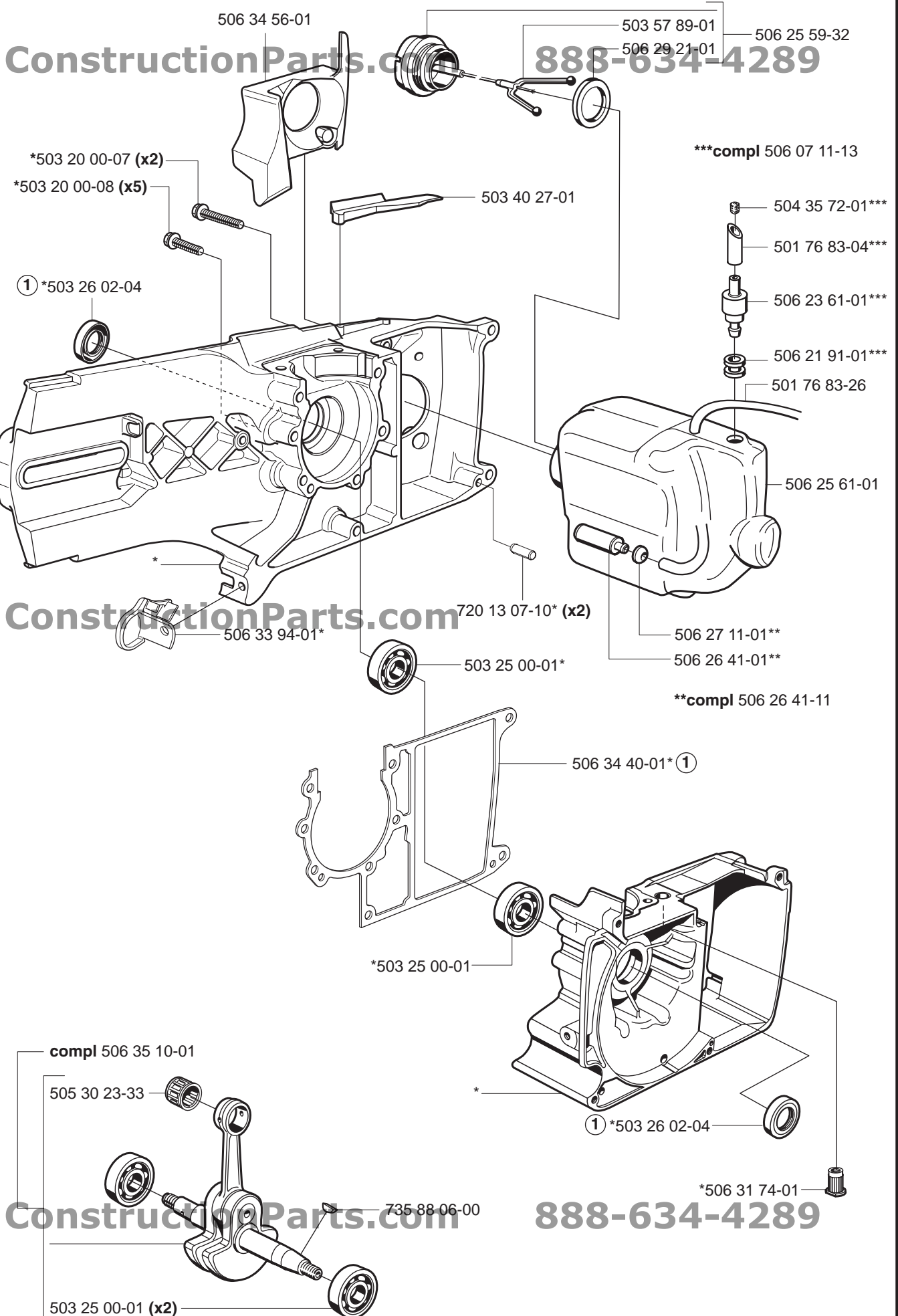
888-634-4289



ConstructionParts.com

888-634-4289

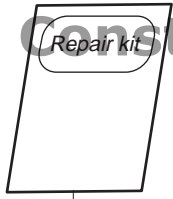
L crankcase: *compl 506 34 28-02



M

compl 506 32 15-02

Tillotson HS 175L



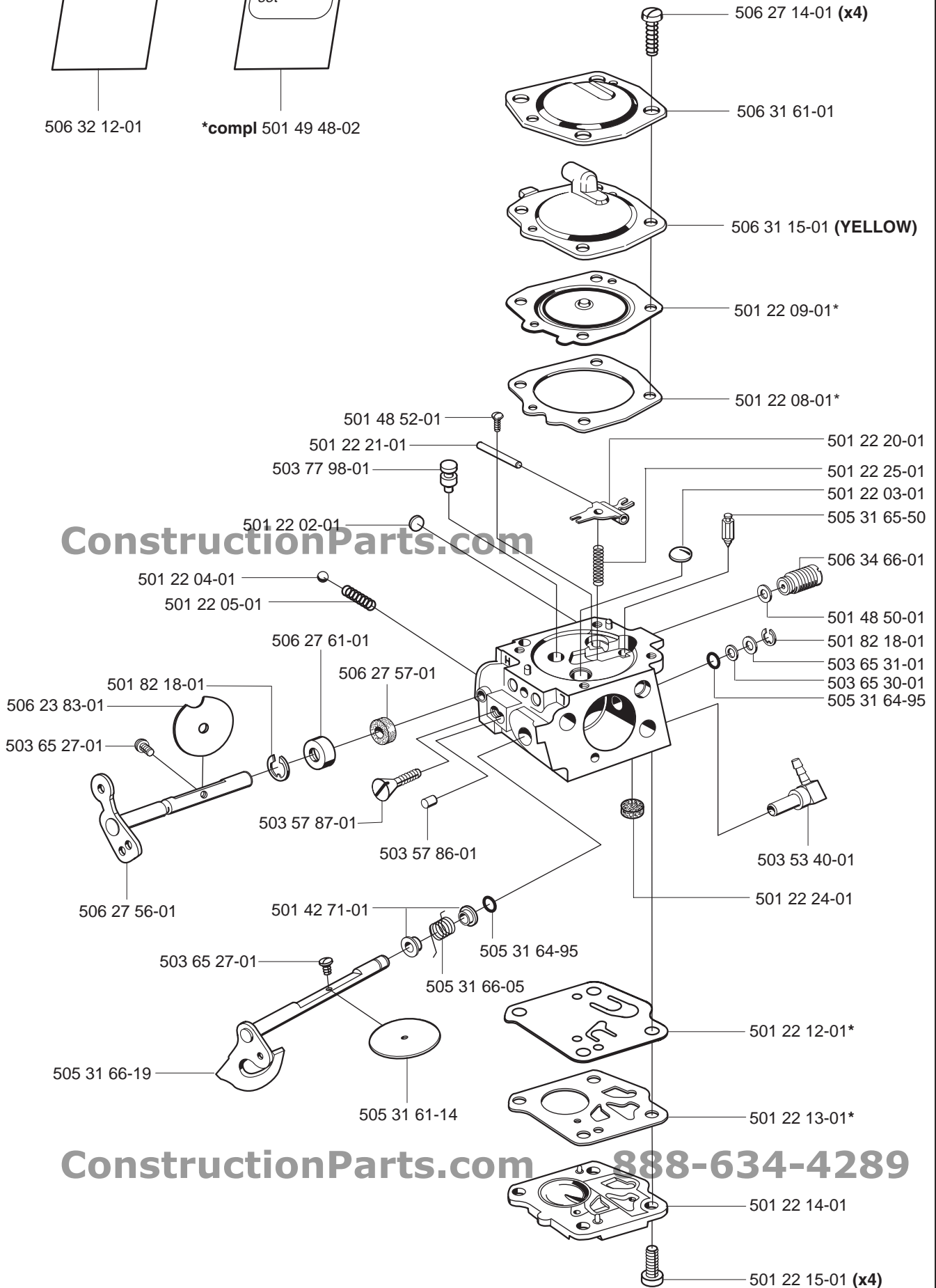
506 32 12-01



*compl 501 49 48-02

ConstructionParts.com

888-634-4289



ConstructionParts.com

ConstructionParts.com

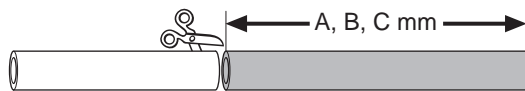
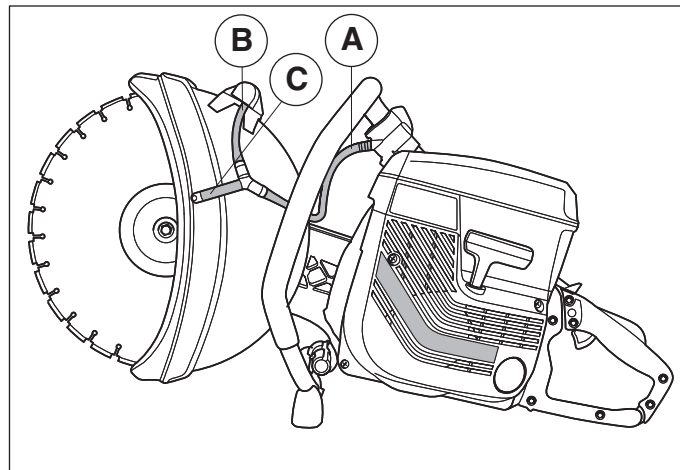
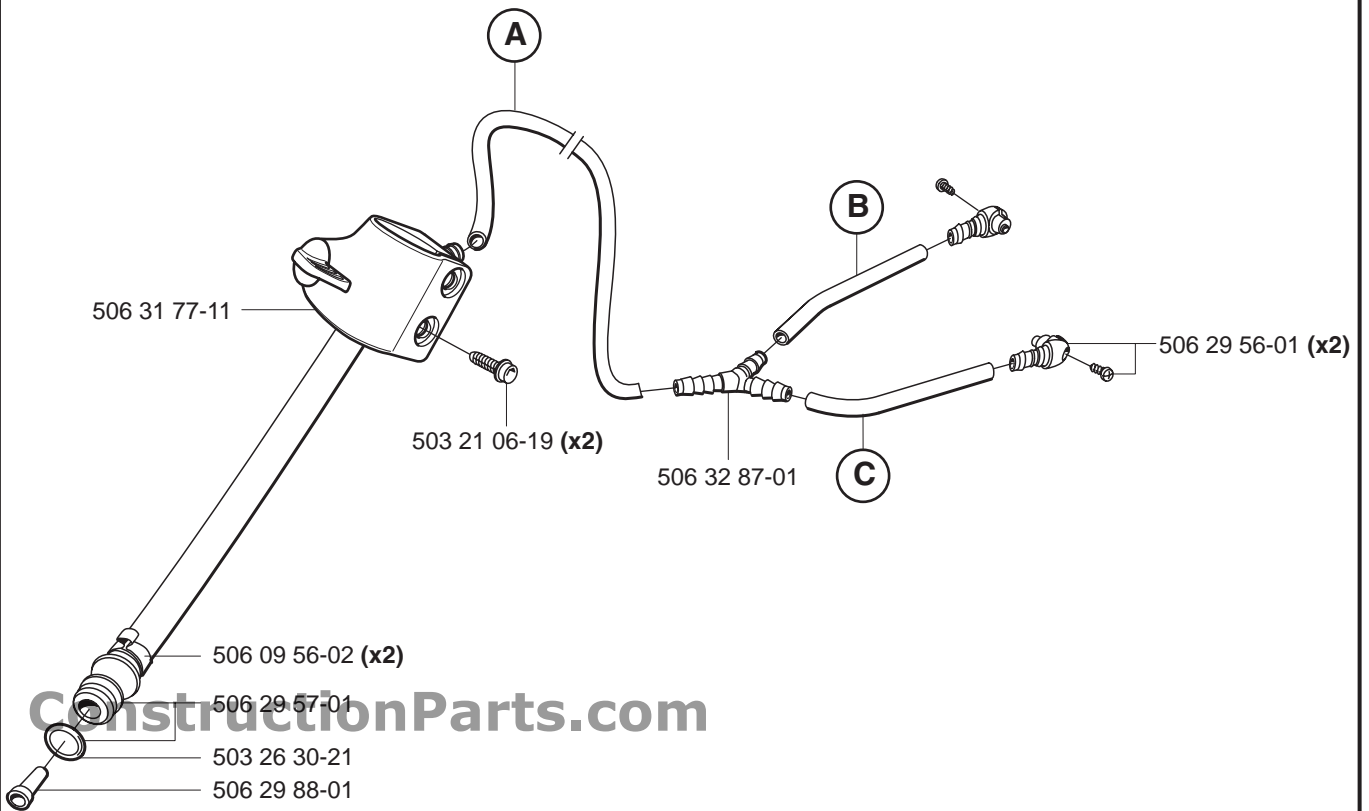
888-634-4289

N

Wet cutting kit 506 32 89-03

ConstructionParts.com

888-634-4289



ConstructionParts.com **888-634-4289**

Product	A (mm)	B (mm)	C (mm)
K650A-III	12"	240	45
K700A-III	14"	240	45