

OWNER'S MANUAL

HANDHELD ELECTRIC SAW

Model: CE414-350SS



CAUTION: Read all safety and operating instructions before using this equipment.
This manual **MUST** accompany the equipment at all times.

REDEFINING
JOBSITE MUSCLE[™]

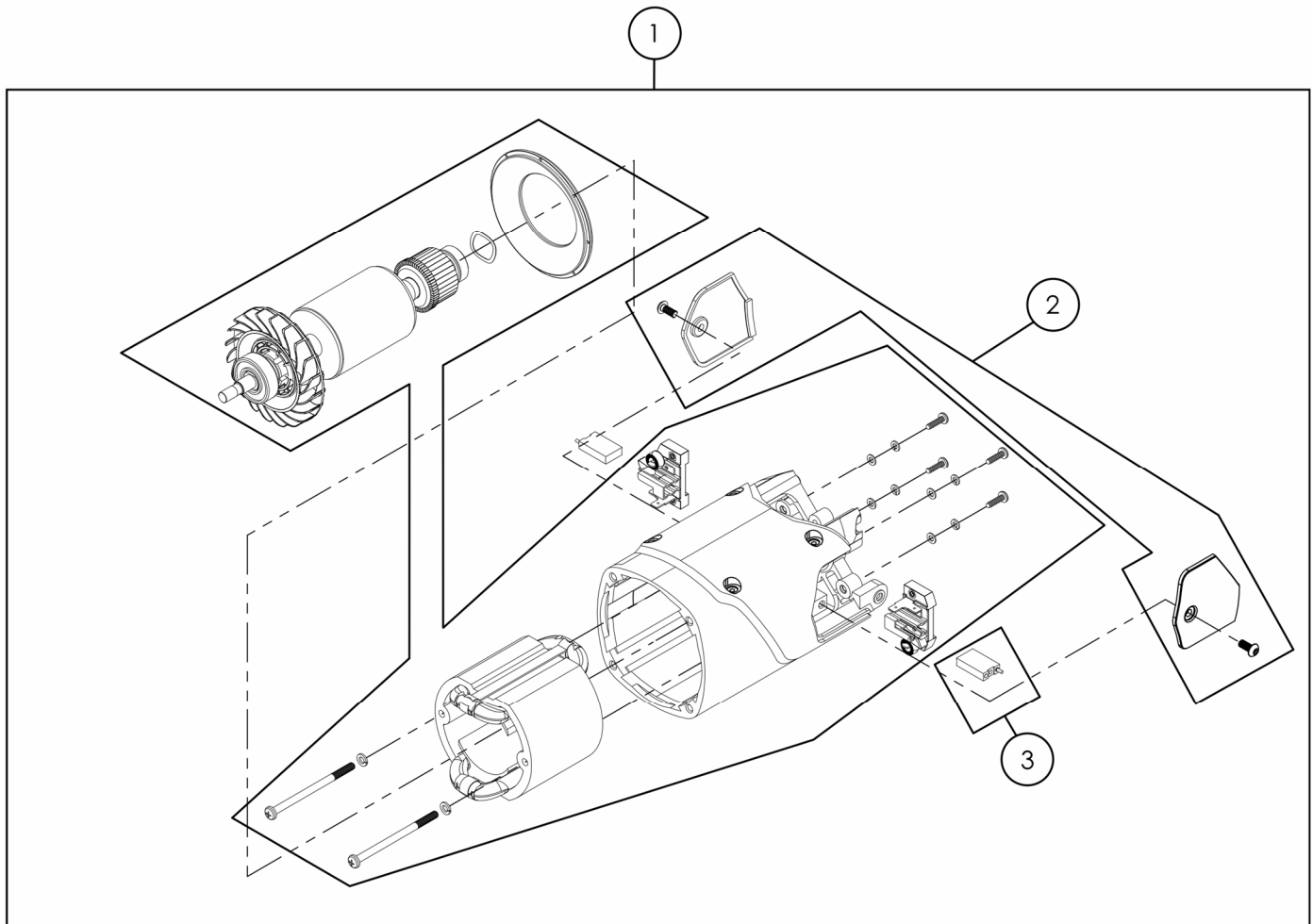
TECHNICAL DATE

Model		C414-350
Motor		Brush Motor
Horsepower		4.1
Watts		3,100
Power	Amp	15
Voltage	V	115
Hertz	hz	60
GFCI		YES
IC Soft Start		YES
Thermal Overload Protection		YES
Electronic Clutch		YES
LED Indicator Lights		YES
Cord Length w/GFCI	ft / m	9.8' (3m)
Spindle Diameter	in / mm	0.787 (20mm)
Spindle Diameter with Bushing	in / mm	1 (25.4)
Blade Shaft Speed	rpm	3,900
Blade Flange Diameter	in / mm	4 (100)
Sound of Motor Without Cutting Blade	dB	100 dB
Maximum Blade Diameter	in / mm	14 (350)
Cutting Depth w/14" Diamond Blade	in / mm	5 (125)
Dimensions	Height x Width x Length in / mm	11.1 (282) h x 11.3 (286) w x 28.7 (730) l
Weight without cutting diamond blade		lb / kg
		22.4 (10.2)

Recommended Extension Cables	
12 AWG	50'
10 AWG	75'
8 AWG	100'

⚠ Use Only Genuine Norton Diamond Blades

MOTOR ASSEMBLY / ENSAMBLE DEL MOTOR / ASSEMBLAGE MOTEUR



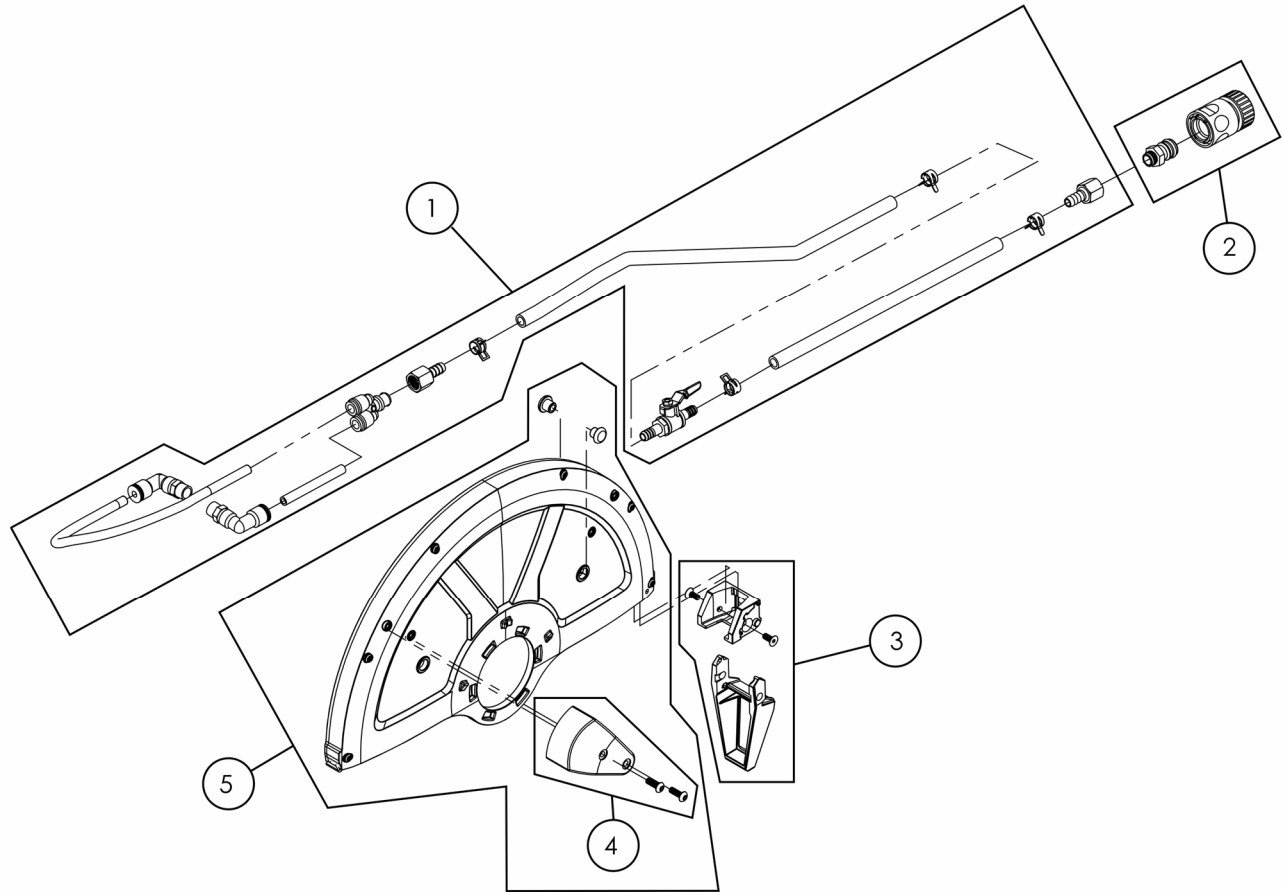
Motor Assembly / Ensemble del Motor / Assemblage Moteur

POS	UPC	Description	Descripción	Description	Type	QTY	NOTES
1	70184633186	MOTOR ASSEMBLY CE414-350SS	CONJUNTO DE MOTORES CE414- 350SS	ENSEMBLE MOTEUR CE414-350SS	S	1	<i>Includes: Armature, Field Windings, Wave Washer, Brushes, Brush Door Covers, w/Hardware</i>
2	70184633174	BRUSH DOOR ASSY (2)	CONJUNTO DE LA PUERTA DEL CEPILLO (2)	ENSEMBLE DE PORTE DE BROSSE (2)	S	1	<i>Brush doors set of 2 w/hardware</i>
3	70184633168	CARBON BRUSHES CE414-350 (2)	ESCOBILLA DE CARBONO (2) CE 414- 350 SS	BALAI DE CHARBON (2) CE 414-350 SS	W	1	<i>Brushes set of 2</i>

Type: S = Service Part, W = Wear Part, All Parts Are Sold as Individual (each) Unless Noted Otherwise

Order by **UPC** number. Kit Items Components are listed in the NOTES.

BLADE GUARD ASSEMBLY / CONJUNTO DE PROTECCIÓN DE LA HOJA / ASSEMBLAGE DU PROTÈGE-LAME



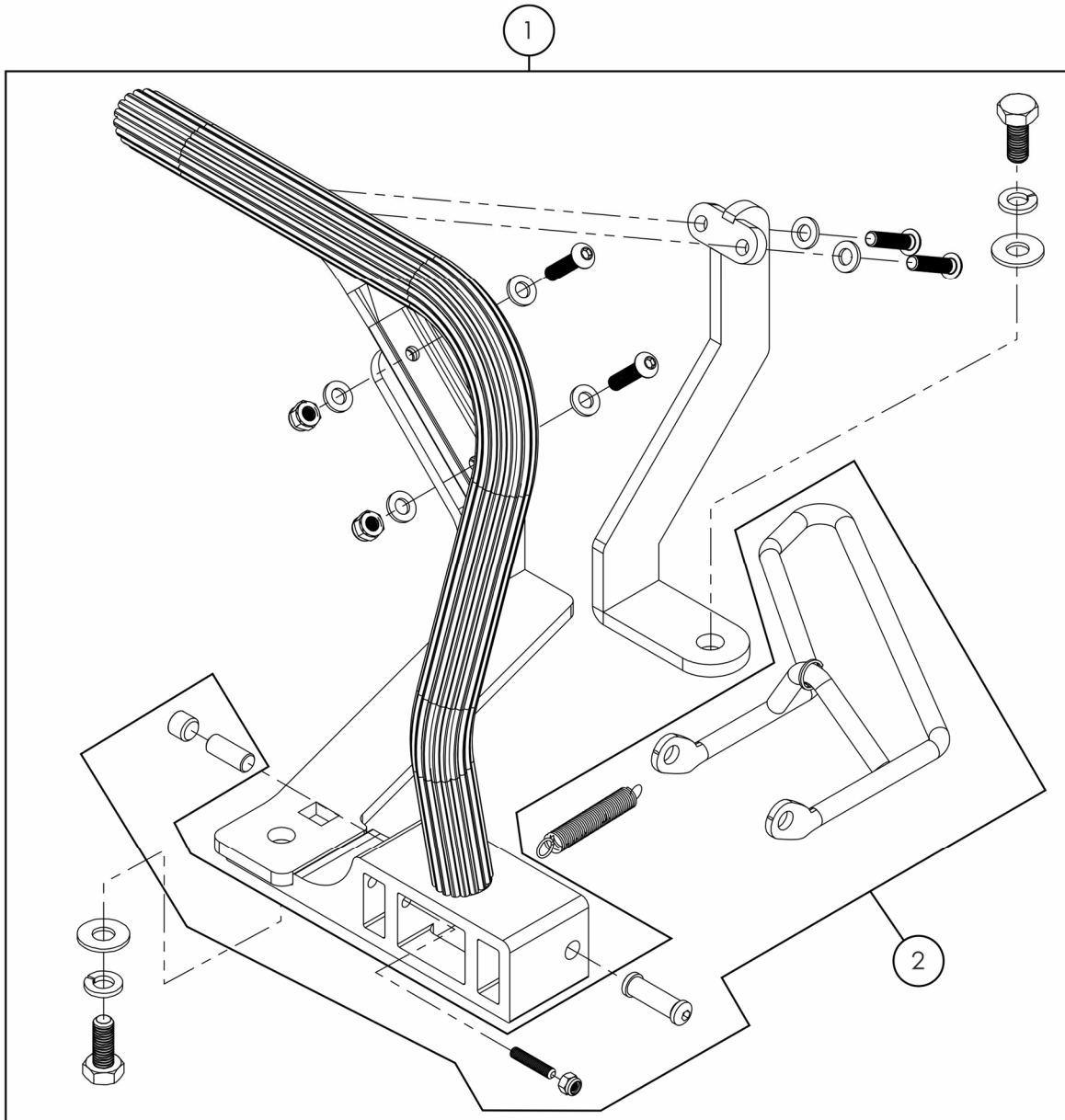
Blade Guard Assembly / Conjunto de Protección de la Hoja / Assemblage du Protège-Lame

POS	UPC	Description	Descripción	Description	Type	QTY	NOTES
1	70184633180	WATER HOSE KIT CE414-350	KIT MANGUERA AGUA CE414-350	TUYAU D'EAU CE414-350	W	1	Includes: All hoses, fittings, clamps, and valve assembled. DOES NOT include Quick Detach Water FittingsC E414-350-005
2	70184633184	QD GARDEN HOSE ADAPTER KIT M+F	KIT DE ADAPTADOR DE MANGUERA DE JARDÍN QD M+H	KIT D'ADAPTATEUR POUR TUYAU D'ARROSAGE QD M+F	W	1	Includes: Male and Female Quick Detach Garden Hose Fittings
3	70184633164	SPLASH GUARD KIT CE414-350SS	KIT DE PROTECCIÓN CONTRA SALPICADURAS CE414- 350SS	ENSEMBLE PARE- ÉCLABOUSSURES CE414- 350SS	S	1	Include: Splash Guard w/Hardware
4	70184633179	HANDLE KIT BLADE GUARD C414-350SS	KIT MANGO PROTECTOR CUCHILLA C414-350SS	KIT POIGNÉE PROTÈGE- LAME C414-350SS	S	1	Includes: Handle w/Hardware
5	70184633185	BLADE GUARD KIT CE414-350SS	KIT DE PROTECCIÓN DE HOJA CE414-350SS	ENSEMBLE DE PROTÈGE- LAME CE414-350SS	S	1	Includes: Blade Guard, Blade Guard Handle Kit, and Slash Guard Kit

Type: S = Service Part, W = Wear Part, All Parts Are Sold as Individual (each) Unless Noted Otherwise

Order by **UPC** number. Kit Items Components are listed in the NOTES.

FORWARD HANDLE ASSEMBLY / CONJUNTO DE MANIJA DELANTERA / ASSEMBLAGE DE LA POIGNÉE AVANT

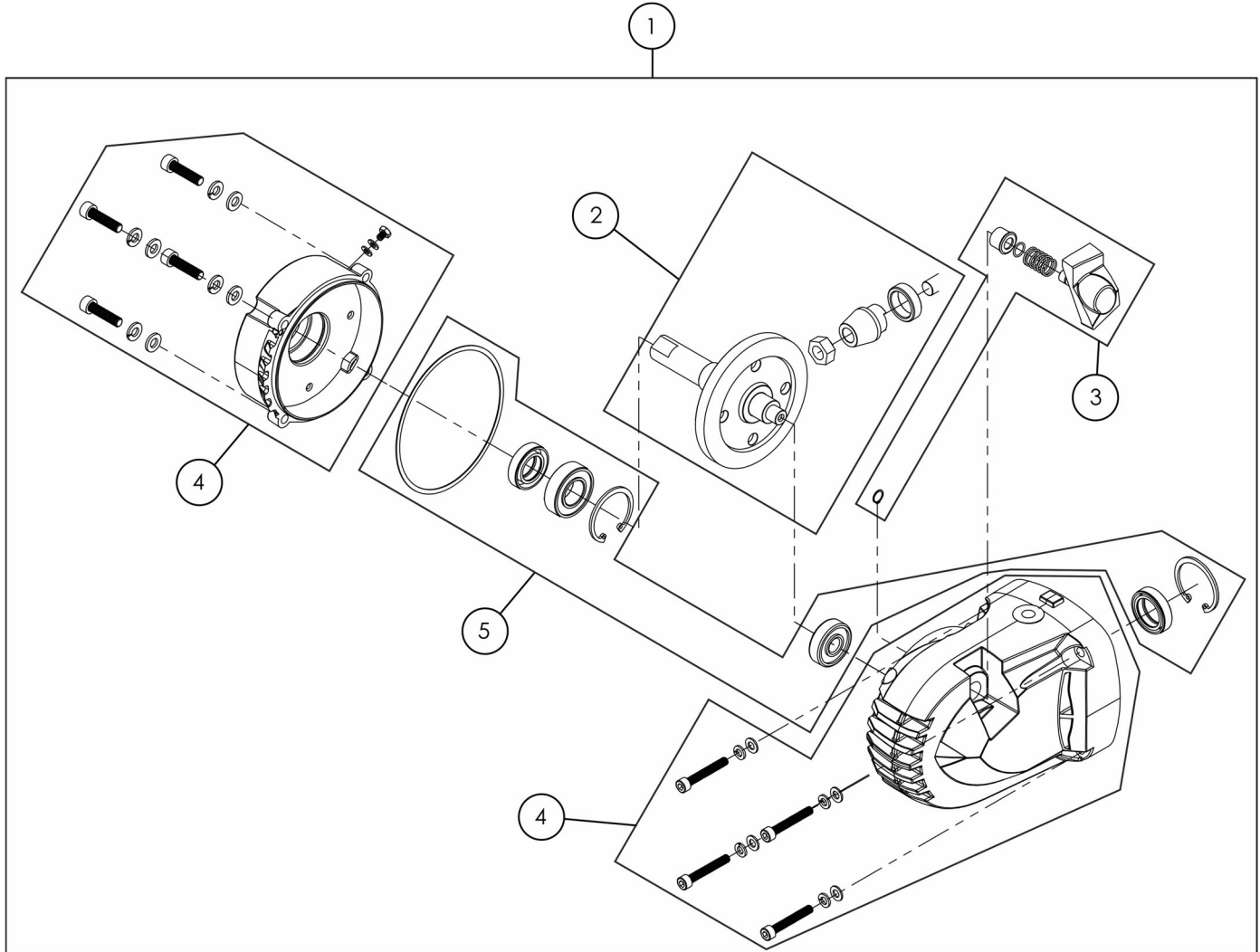


Forward Handle Assembly / Conjunto de Manija Delantera / Assemblage de la Poignée Avant

POS	UPC	Description	Descripción	Description	Type	QTY	NOTES
1	70184633169	FORWARD HANDLE ASSEMBLY CE414-350SS	CONJUNTO DEL MANGO DELANTERO CE414-350SS	ENSEMBLE DE POIGNÉE AVANT CE414-350SS	W	1	Includes: Handle, Handle Support, Kick Stand w/spring, and w/Hardware
2	70184633170	KICK STAND ASSEMBLY CE414-350SS	CONJUNTO DE SOPORTE CE414-350SS	ENSEMBLE BÉQUILLE CE414-350SS	W	1	Includes: Kick Stand w/spring, and hardware

Type: S = Service Part, W = Wear Part, All Parts Are Sold as Individual (each) Unless Noted Otherwise
Order by **UPC** number. Kit Items Components are listed in the NOTES.

GEAR BOX ASSEMBLY / CONJUNTO DE CAJA DE CAMBIOS / ASSEMBLAGE DE LA BOITE DE VITESSES



Gear Box Assembly / Conjunto de Caja de Cambios / Assemblage de la Boîte de Vitesses

POS	UPC	Description	Descripción	Description	Type	QTY	NOTES
1	70184633167	GEAR BOX COMPLETE ASSEMBLY CE414-350SS	CAJA DE ENGRANAJES CONJUNTO COMPLETO CE414-350SS	BOITE DE VITESSES ENSEMBLE COMPLET CE414-350SS	S	1	Includes (All items shown in the image): Blade Shaft Lock Assembly, Blade Shaft and Pinion Gear Assembly, Gear Box Housing w/Hardware, and Bearing and Shaft Kit Gear Box
2	70184633175	BLADE SHAFT and PINION GEAR ASSEMBLY CE414-350SS	EJE DE LA HOJA y CONJUNTO DEL ENGRANAJE DEL PIÑÓN CE414-350SS	ENSEMBLE ARBRE DE LAME ET PIGNON CE414-350SS	S	1	Includes: Blade Shaft w/Gear, Nut Pinion, Pinion Gear, and Shaft Seal

Type: S = Service Part, W = Wear Part, All Parts Are Sold as Individual (each) Unless Noted Otherwise

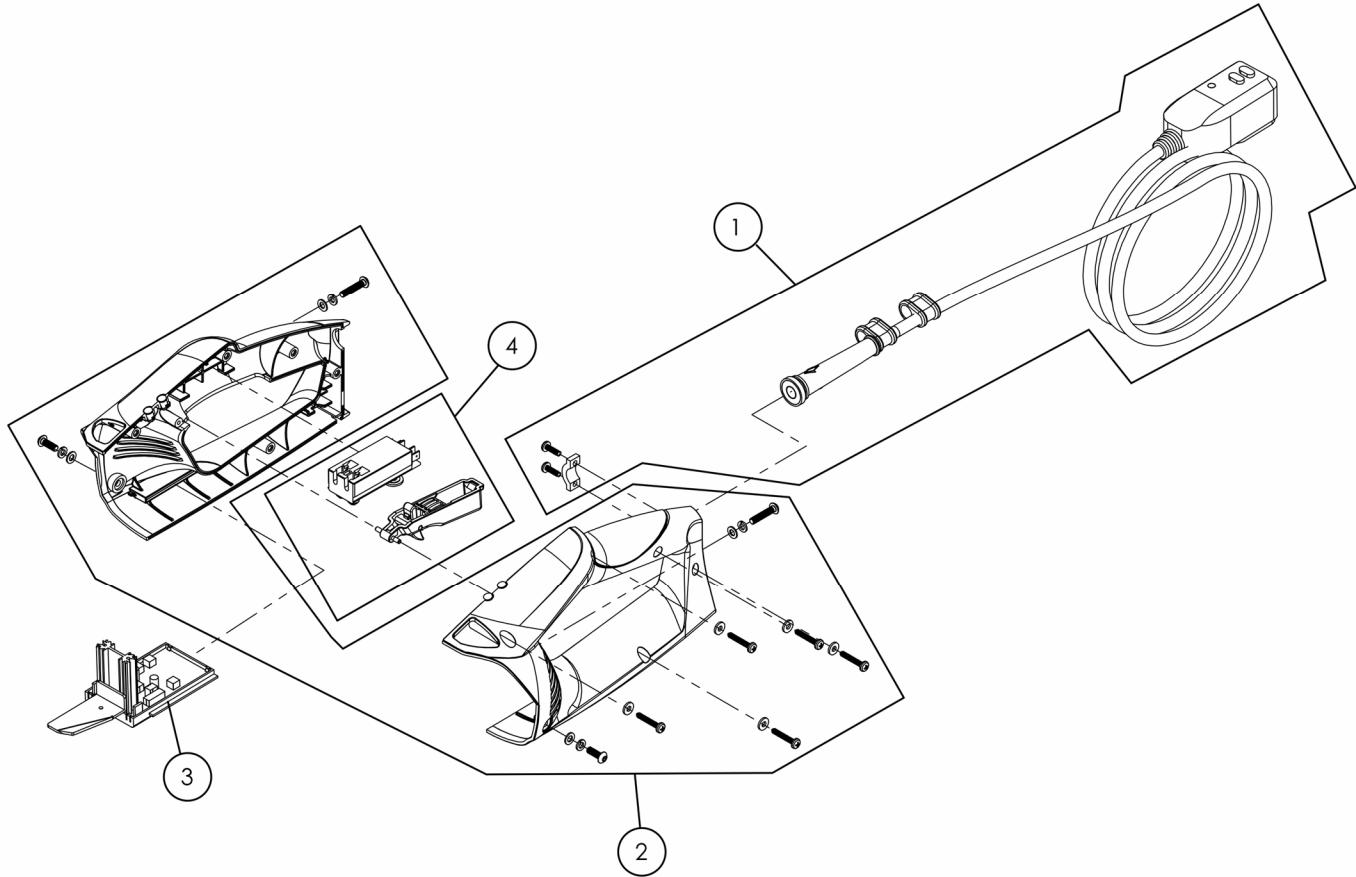
Order by **UPC** number. Kit Items Components are listed in the NOTES.

GEAR BOX ASSEMBLY / CONJUNTO DE CAJA DE CAMBIOS / ASSEMBLAGE DE LA BOITE DE VITESSES

POS	UPC	Description	Descripción	Description	Type	QTY	NOTES
3	70184633176	BLADE SHAFT LOCK KIT CE414-350SS	KIT DE BLOQUEO DEL EJE DE LA HOJA CE414- 350SS	KIT DE BLOCAGE D'ARBRE DE LAME CE414-350SS	S		<i>Includes: Blade Shaft Lock, Spring, Blade Shaft Lock Button, and two (2) O-Rings</i>
4	70184633177	GEAR BOX HOUSING KIT w/HARDWARE CE414-350SS	KIT DE ALOJAMIENTO DE CAJA DE ENGRANAJES CON HARDWARE CE414- 350SS	KIT DE LOGEMENT DE BOÎTE DE VITESSES avec QUINCAILLERIE CE414- 350SS	S	1	<i>Includes: Gear Box Castings (Inner and Outer), and hardware</i>
5	70184633178	BEARING and SEAL KIT GEAR BOX CE414- 350SS	KIT COJINETE Y SELLO CAJA DE ENGRANAJES CE414-350SS	KIT ROULEMENTS ET JOINTS BOITE DE VITESSES CE414-350SS	S	1	<i>Includes: Seal Gear Box Outer, Bearing Outer, Bearing Inner, Seal Inner, Snap Rings (Qty=2), O'Ring, w/Hardware</i>

Type: S = Service Part, W = Wear Part, All Parts Are Sold as Individual (each) Unless Noted Otherwise
Order by **UPC** number. Kit Items Components are listed in the NOTES.

REAR HANDLE ASSEMBLY / MONTAJE DE LA MANIJA TRASERA / ASSEMBLAGE DE LA POIGNEE ARRIERE

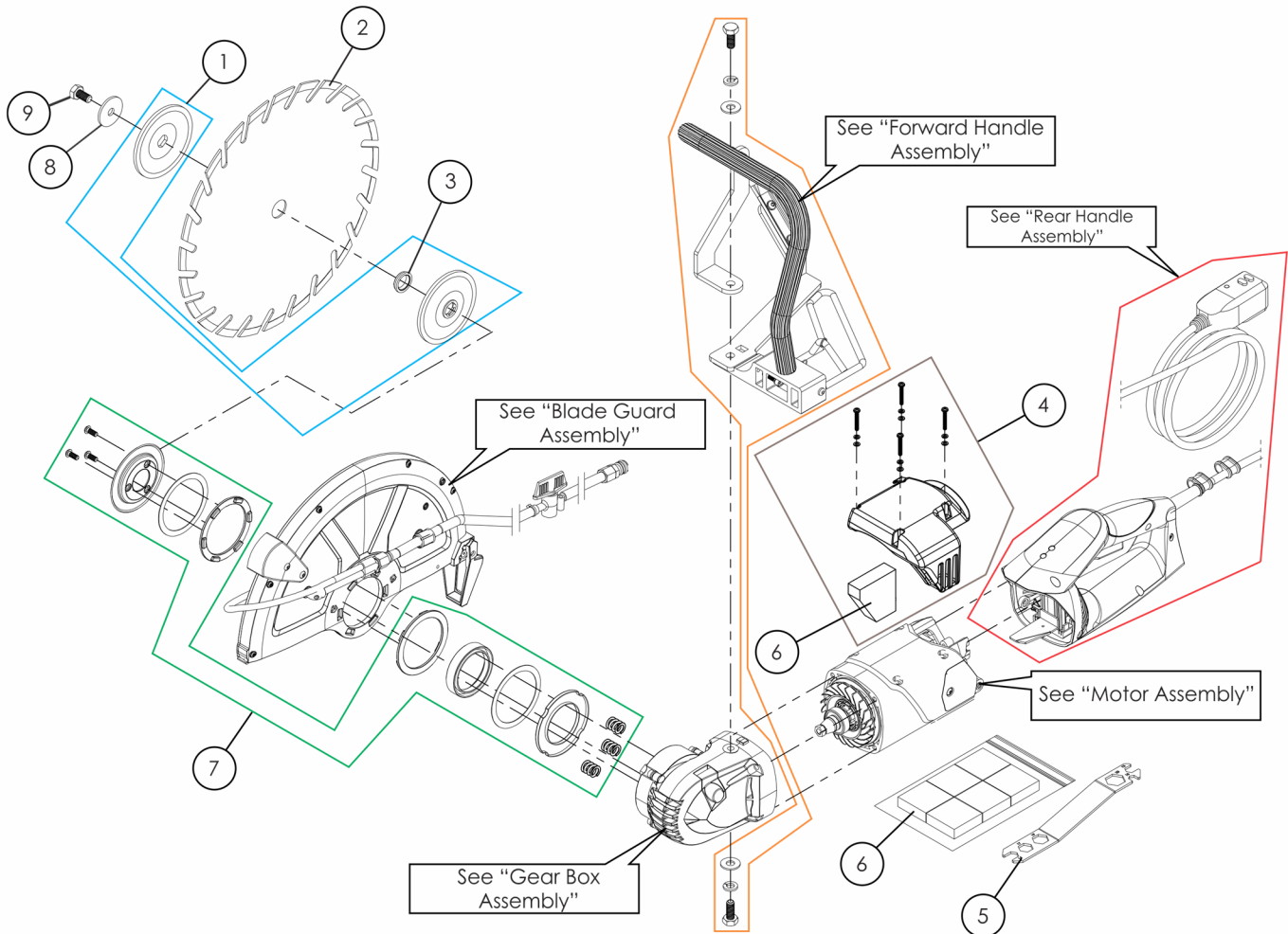


Rear Handle Assembly / Montaje de la Manija Trasera / Assemblage de la Poignée Arrière

POS	UPC	Description	Descripción	Description	Type	QTY	NOTES
1	70184633173	POWER CABLE ASSY w/GFCI CE414-350SS	CONJUNTO DE CABLE DE ALIMENTACIÓN con GFCI CE414-350SS	CÂBLE D'ALIMENTATION AVEC DDFT CE414-350SS	S	1	Includes: Cable Clamp w/Hardware, StrainRelief (2), Cable Gland, and Power Cable w/GFCI
2	70184633171	REAR HANDLE ASSY CE414-350SS	CONJUNTO DE MANGO TRASERO CE414-350SS	POIGNEE ARRIERE CE414-350SS	S	1	Includes: Handle Left and Right Side, w/Hardware
3	70184633163	IC BOARD CE414-350SS	TARJETA CI CE414-350SS	CARTE CI CE414-350SS		1	
4	70184633172	SWITCH ASSEMBLY CE414-350SS	CONJUNTO DE INTERRUPTOR CE414-350SS	ENSEMBLE DE COMMUTEUR CE414-350SS		1	Includes: Switch Body and Switch Trigger

Type: S = Service Part, W = Wear Part, All Parts Are Sold as Individual (each) Unless Noted Otherwise
Order by **UPC** number. Kit Items Components are listed in the NOTES.

MAIN ASSEMBLY / ASAMBLEA PRINCIPAL / ASSEMBLAGE PRINCIPAL



Main Assembly / Asamblea Principal / Assemblage Principal

POS	UPC	Description	Descripción	Description	Type	QTY	NOTES
1	70184633181	COLLAR SET (LOOSE+INNER+ADP) CE414-350SS	CONJUNTO COLLAR (SUELTO+INTERIOR+ADP) CE414-350SS	JEU DE COLLIERS (LÂCHE+INTÉRIEUR+ADP) CE414-350SS	S	1	Includes Loose, Tight Flange, and Blade Adapter
2	70184684525	CGHSTS1420 14" x .125 x 1"/20mm Charger Turbo	CGHSTS1420 14" x .125 x 1"/20mm Cargador Turbo	CGHSTS1420 14" x .125 x 1"/20mm Chargeur Turbo	W		USE ONLY NORTON DIAMOND BLADES. Use of other blades may void the machine's warranty
3	70184633165	ADAPTER 1"/20mm CE414-350	ADAPTADOR 1"/20mm CE414-350	ADAPTATEUR 1"/20mm CE414-350	S	1	
-NA-	-NA-	Forward Handle Assembly Page 34	Ensamblaje del mango delantero Página 34	Assemblage de la poignée avant Page 34	S		See Page 34 for Details
-NA-	-NA-	Rear Handle Assembly Page 36	Montaje de la manija trasera Página 36	Assemblage de la poignée arrière Page 36	S		See Page 36 for Details. IC Board Sold Separately
4	70184633183	AIR INTAKE w/HARDWARE and FILTER PACK CE414-350SS	ENTRADA DE AIRE con HARDWARE y PAQUETE DE FILTRO CE414-350SS	PRISE D'AIR avec QUINCAILLERIE et FILTRE PACK CE414-350SS	S	1	Includes: Air Intake, attachment hardware, and Air Filter 6 pack

Type: S = Service Part, W = Wear Part, All Parts Are Sold as Individual (each) Unless Noted Otherwise
Order by **UPC** number. Kit Items Components are listed in the NOTES.

MAIN ASSEMBLY / ASAMBLEA PRINCIPAL / ASSEMBLAGE PRINCIPAL

POS	UPC	Description	Descripción	Description	Type	QTY	NOTES
-NA-	-NA-	Motor Assembly Page 30	Montaje del Motor Página 30	Assemblage du Moteur Page 30	S		See Page 30 for Details
5	70184680905	WRENCH UNIVERSAL	LLAVE UNIVERSAL	CLE UNIVERSELLE	S	1	
6	70184633166	AIR FILTER 6 PACK CE414-350SS	PAQUETE DE 6 FILTROS DE AIRE CE414-350SS	FILTRE A AIR PACK DE 6 CE414-350SS	W	1	Air Filter 6 pack. NOT SOLD as EACH
-NA-	-NA-	Gear Box Assembly page 35	Conjunto de Caja de Cambios Página 35	Ensemble de Boîte de Vitesses Page 35			See Page 31 for Details
7	70184633182	BLADE GUARD RETAINER KIT CE414- 350SS	KIT DE RETENCIÓN DE PROTECTOR DE HOJA CE414-350SS	KIT DE RETENUE DE PROTÈGE-LAME CE414- 350SS	S	1	Includes Retaining rings, springs (3), bushings, and attachment hardware as shown.
8	70184600788	WASHER M10 X 40 X 3 BLADE SHAFTS	ARANDELA EJE M10 X 40 X 3 HOJAS	RONDELLE M10 X 40 X 3 AXE LAME	S	1	Large Metric Blade Shaft Washer
9	70184600893	SCR M10 X 20 1.5 DIN933 LH	TORNILLO M10 X 20 1.5 DIN933 LH	VIS M10 X 20 1.5 DIN933 GAUCHE	S	1	Left Hand Thread

Type: S = Service Part, W = Wear Part, All Parts Are Sold as Individual (each) Unless Noted Otherwise

Order by **UPC** number. Kit Items Components are listed in the NOTES.