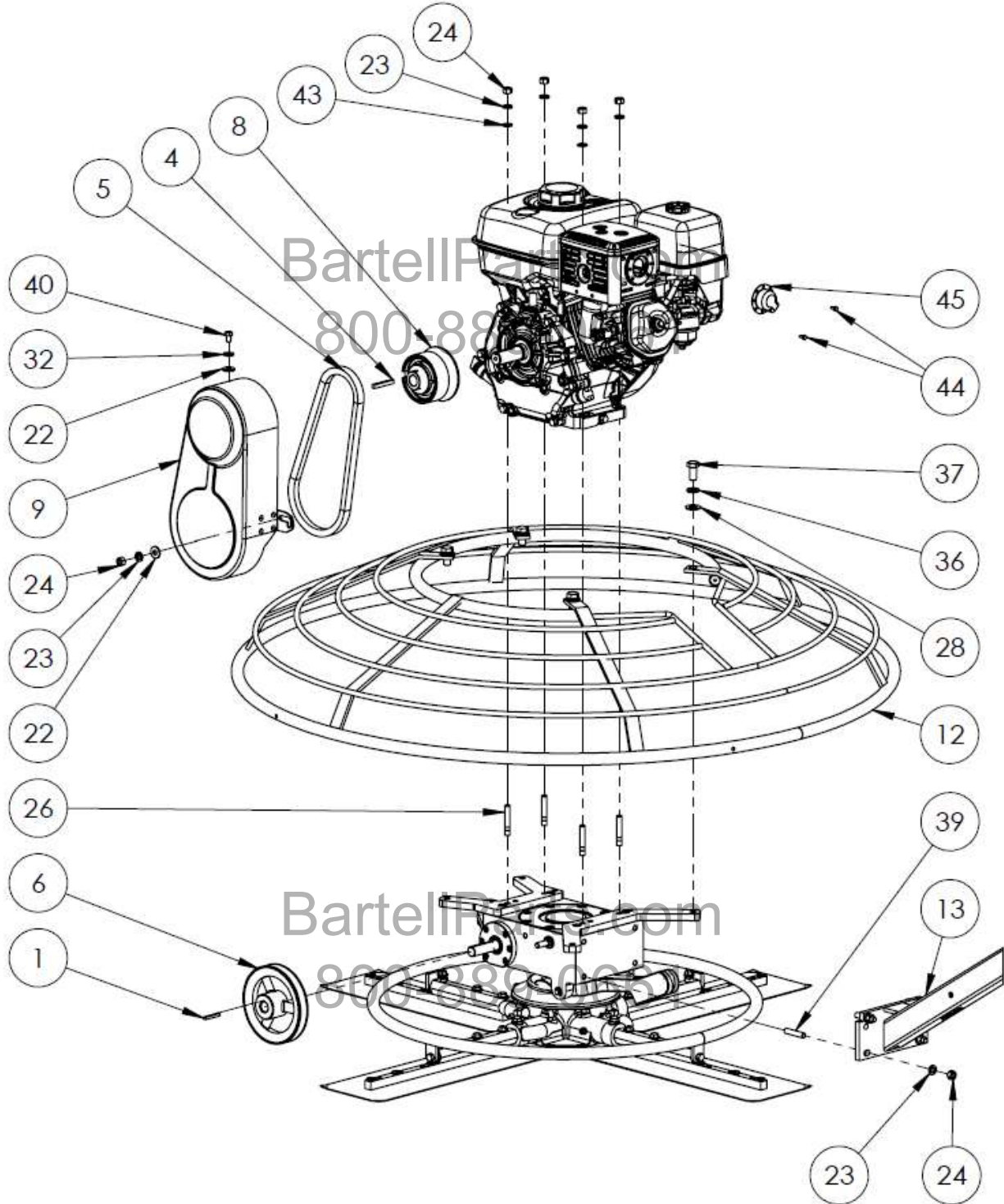


PARTS LIST 1 – WALK-BEHIND TROWELS

GENERAL ASSEMBLY DIAGRAM: B446



GENERAL ASSEMBLY: B446 - PARTS LIST 1

Item #	Part #	Description	QTY	Remarks
1	10208	KEY, 3/16" SQ. x 1 1/2" LG	1	6/8/2004
4	10608	KEY, 1/4" SQ. X 1-5/32" LG	1	6/8/2004
5	11178	BELT, B29	1	6/8/2004
6	14285	SHEAVE	1	6/8/2004
8	21029-2	CLUTCH, 1" BORE, 1300 RPM	1	6/8/2004
9	21067-1	BELT GUARD, LG	1	6/8/2004
12	20448	GUARD RING, CHROME	1	6/8/2004
13	20231C 20231E	HANDLE ASSEMBLY HANDLE ASSEMBLY, EUROPEAN	1	6/8/2004
22	10919	WASHER, FLAT, 5/16" DIA.	5	6/8/2004
23	10902	WASHER, LOCK, SPLIT, 3/8"	9	6/8/2004
24	10901	HEX NUT, 3/8-16	9	6/8/2004
26	14650	STUD, SELF-LOCKING, ENGINE MOUNT	4	6/8/2004
28	50026	WASHER, FLAT, 1/2" DIA.	4	6/8/2004
32	10402	WASHER, LOCK, SPLIT, 5/16"	13	6/8/2004
36	10009	WASHER, LOCK, 1/2"	4	6/8/2004
37	13781	HEX HEAD CAP SCREW, 1/2-13 X 1" LG	4	6/8/2004
39	11339	STUD, SELF-LOCKING, HANDLE MOUNT	4	6/8/2004
40	10409	HEX HEAD CAP SCREW, 5/16-18 X 1/2" LG	1	6/8/2004
44	11112	SCREW, MUFFLER CAP	1	6/8/2004
45	11115	MUFFLER CAP	2	6/8/2004
NOT SHOWN	11800	OIL DRAIN HOSE ASSEMBLY	1	6/8/2004
	01109-B446-1	DECAL KIT, B446	1	
	01109-FAM-B	ROUND BARTELL DECAL	1	

BartellParts.com
800-889-0661

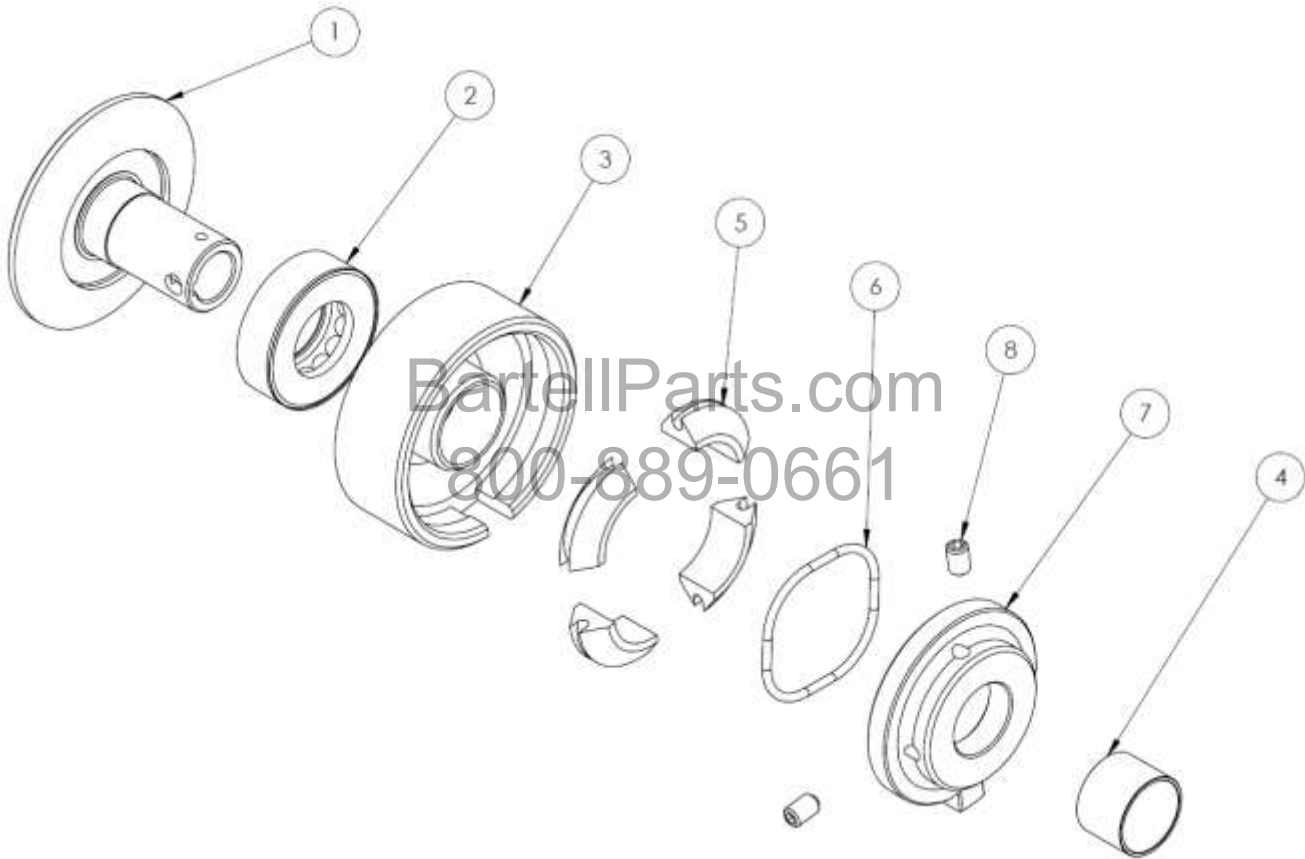
BASE UNIT ASSEMBLY: B446 – PARTS LIST 3

Item #	Part #	Description	QTY	Remarks
1	11029	STUD, 3/8-16 X 1-3/4" LG (NON-CVT ONLY)	1	
2	10311	YOKE ARM	1	
4	15346 15348	MOUNTING RAIL, FRONT MOUNTING RAIL, FRONT, MEGA-T	1	
5	15347 15349	MOUNTING RAIL, REAR MOUNTING RAIL, REAR, MEGA-T	1	
6	10823	CAP PLUG EC-12	1	
7	20442	STABILIZER RING, INNER	1	
8	20626	PRESSURE PLATE ASSEMBLY	1	
10	10608	KEY, 1/4" SQ. X 1-5/32" LG	1	
11	10804	RETAINER 33/64"	1	
12	10902	WASHER, LOCK, 3/8" DIA.	5	
13	10901	HEX NUT, 3/8"-16	4	
15	50001	SHCS 3/8-16 X 3/4" LG	4	
16	10442	HH SHOULDER BOLT 7/16" DIA	4	
17	10913	RETAINING RING	2	
18	10914	YOKE PIN	1	
19	10802	SHCS 1/2-13 X 1-1/2" LG	1	
20	11339	STUD, SELF-LOCKING, HANDLE MOUNT	4	
21	11052	HEX JAM NUT 3/8-16	1	

BartellParts.com
800-889-0661

PARTS LIST 5- WALK-BEHIND TROWELS

B446 CLUTCH ASSEMBLY DIAGRAM: 21029-2

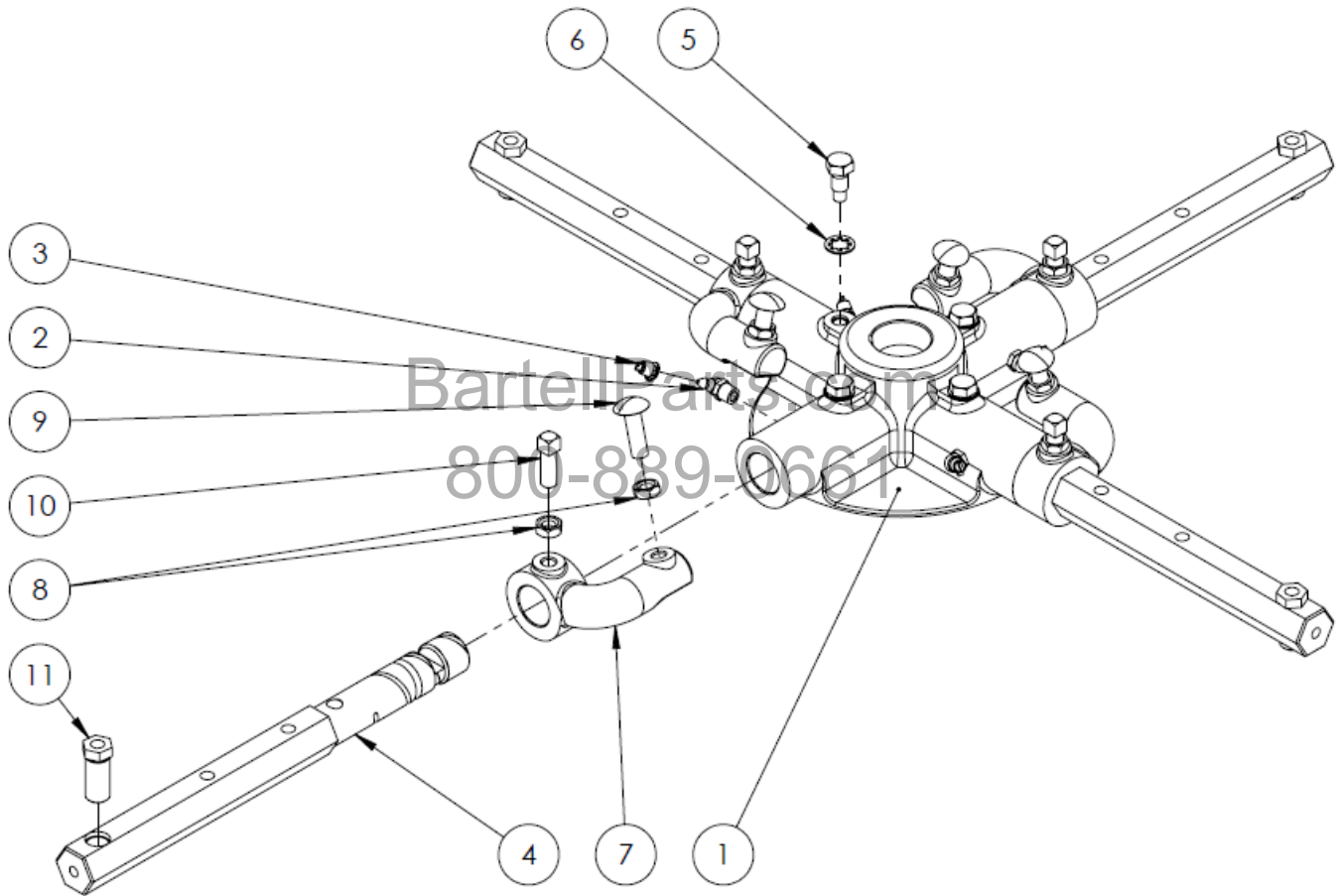


B446 CLUTCH ASSEMBLY: 21029-2 (1" SHAFT) – PARTS LIST 5

Item #	Part #	Description	QTY	Remarks
1	11045	SPINDLE	1	8/21/2007
2	11044	BEARING	1	8/21/2007
3	21046	DRUM W/BUSHING	1	8/21/2007
4	11012	BUSHING	1	8/21/2007
5	11014	WEIGHT (SHOE)	4	8/21/2007
6	10759	SPRING	1	8/21/2007
7	11015	FACE PLATE	1	8/21/2007
8	50117	SET SCREW 5/16 – 18 UNC	2	8/21/2007

PARTS LIST 6 – WALK-BEHIND TROWELS

SPIDER PLATE ASSEMBLY DIAGRAM: 20820



SPIDER PLATE ASSEMBLY: 20820 – PARTS LIST 6

Item #	Part #	Description	QTY	Remarks
1	10820	SPIDER PLATE LG	1	02/25/2010
2	10801	GREASE FITTING, 65 DEG, 1/8 NPT	4	02/25/2010
3	10822	CAP GREASE, NIPPLE, 1/8 ALEMITE	4	02/25/2010
4	10405	TROWEL ARM (LARGE)	4	02/25/2010
5	10806	HHCS, 3/8-16UNC X 13/16 DOG POINT BOLT	4	02/25/2010
6	10805	LOCKWASHER, 3/8, EXTERNAL TOOTH	4	02/25/2010
7	10819	LIFT LEVER (LARGE)	4	02/25/2010
8	10808	HEX JAM NUT 3/8-16 UNC	8	02/25/2010
9	10807	CARRIAGE BOLT, 3/8-16x1 1/4"LG	4	02/25/2010
10	10809	SQ. HEAD SET SCREW, 3/8-16 x 1" LG. STEEL	4	02/25/2010
11	10404	ADJUSTING SCREW 1-1/4"LG	4	02/25/2010

PARTS LIST 7 – WALK-BEHIND TROWELS

PRESSURE PLATE ASSEMBLY DIAGRAM: 20626



PRESSURE PLATE ASSEMBLY: 20626 – PARTS LIST 7

Item #	Part #	Description	QTY	Remarks
1	10659	PRESSURE PLATE, LARGE	1	11/16/2007
2	10663	THRUST BEARING, LARGE	1	11/16/2007
3	10667	PRESSURE PLATE CAP, LARGE	1	09/12/2007

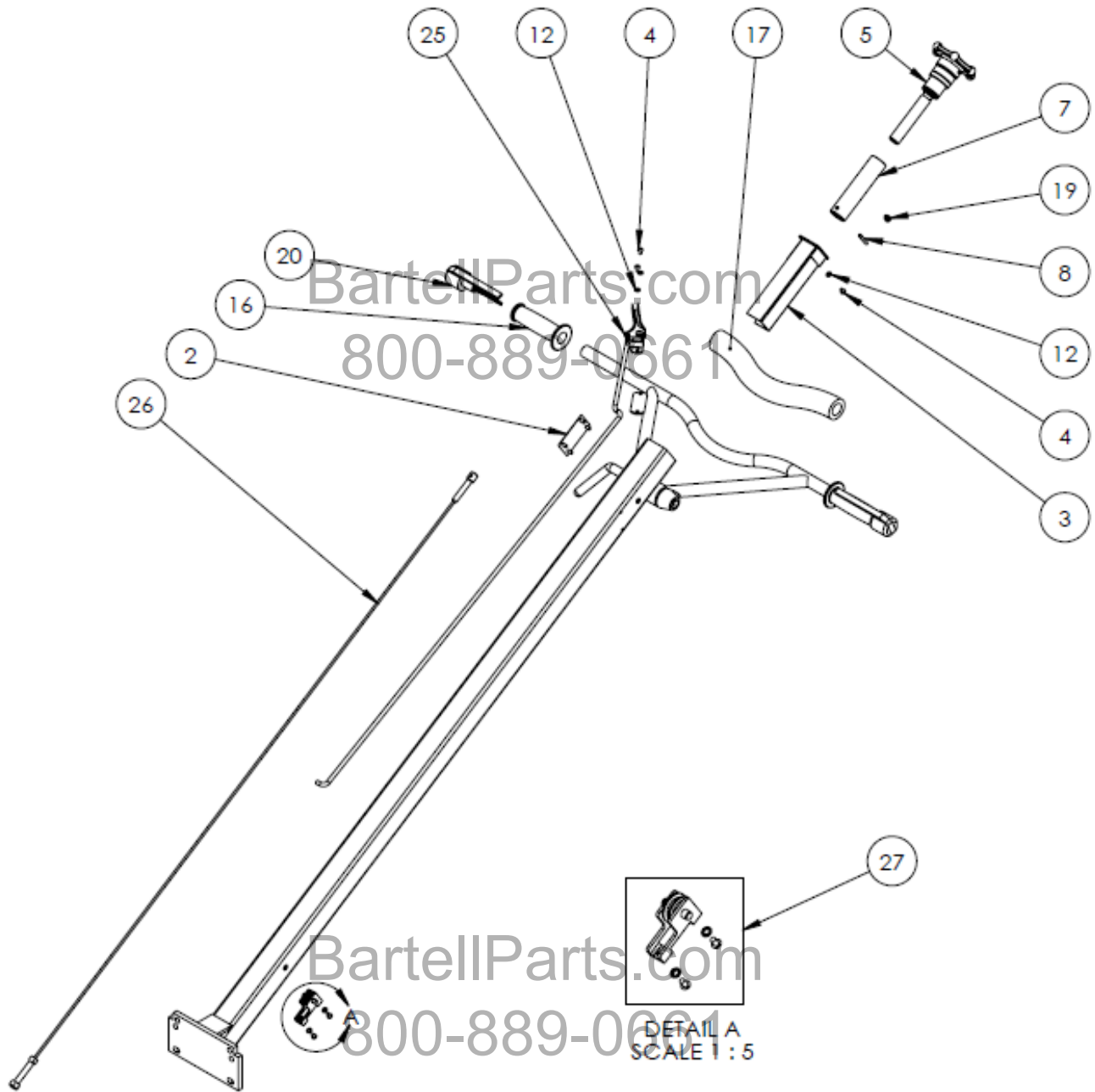
HANDLE ASSEMBLY: 20231C FINE PITCH – PARTS LIST 8

Item #	Part #	Description	QTY	Remarks
2	20113	SIDE COVER	1	
3	20112	PITCH INSERT	1	
4	21728	RHMS, M5-0.8 X 8MM LG	5	
5	21714	HAND KNOB ASSEMBLY	1	
7	21722	THREADED SLIDE BUSHING	1	
8	21724	PIN 3/16"DIA X 1-1/4"LG	1	
9	21847	SAFETY SWITCH	1	
13	10703	LOCK WASHER, INTERNAL TOOTH, #10	5	
17	21717	HANDLE GRIP	2	
18	21721	CROSSBAR PAD	1	
20	21725	M6-1.0 X 6MM LG	1	
22	20703	75" WIRE ASSEMBLY	1	
25	10508	THROTTLE LEVER ASSEMBLY, W/ CABLE	1	
26	20332	PITCH CONTROL CABLE M10-1.5	1	
27	20288	PULLEY ASSEMBLY	1	
	10525-SQPRO	BARTELL DECAL KIT	1	

BartellParts.com
800-889-0661

PARTS LIST 9: WALK-BEHIND TROWELS

HANDLE ASSEMBLY DIAGRAM: 20231E FINE PITCH EUROPEAN SPEC.



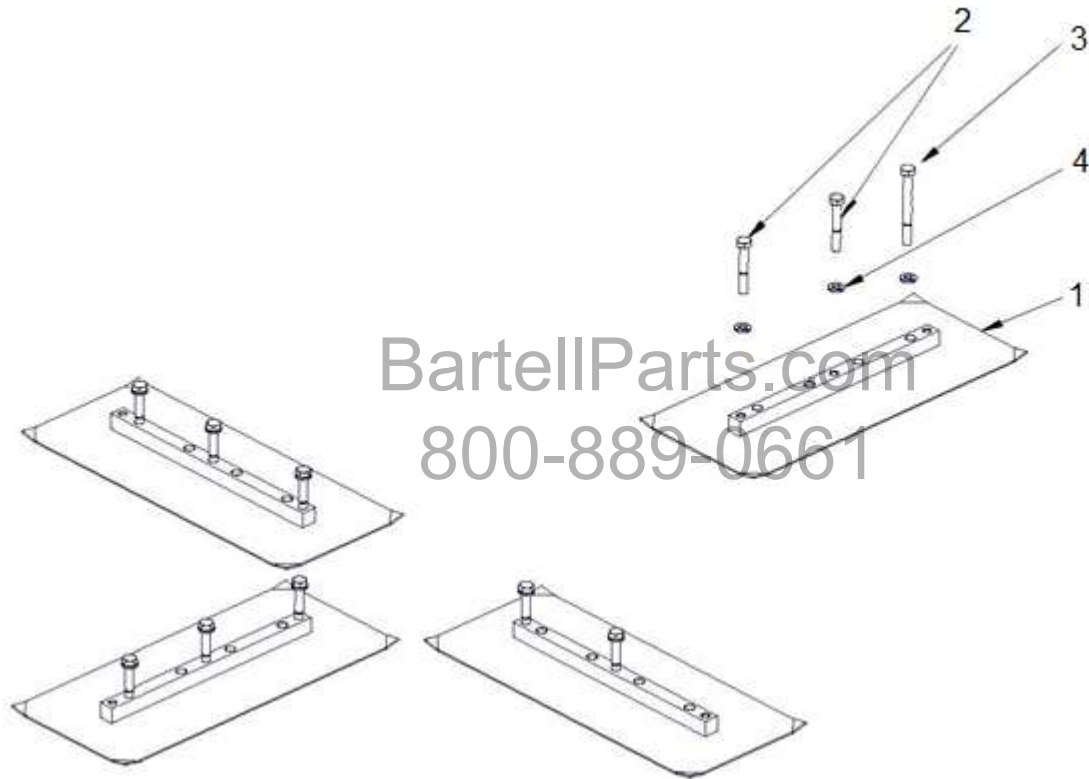
HANDLE ASSEMBLY: 20231E FINE PITCH EUROPEAN SPEC. – PARTS LIST 9

Item #	Part #	Description	QTY	Remarks
2	20113	SIDE COVER	1	
3	20112	PITCH INSERT	1	10/01/2014
4	21728	RHMS, M5-0.8 X 8MM LG	5	10/01/2014
5	21714	HAND KNOB ASSEMBLY	1	10/01/2014
7	21722	THREADED SLIDE BUSHING	1	
8	21724	PIN 3/16"DIA X 1-1/4"LG	1	10/01/2014
12	10703	LOCK WASHER, INTERNAL TOOTH, #10	5	10/01/2014
16	21717	HANDLE GRIP	2	
17	21721	CROSSBAR PAD	1	
19	21725	M6-1.0 X 6MM LG	1	10/01/2014
20	11852	SAFETY LEVER, PIGTAIL WIRES	2	10/01/2014
25	10508	THROTTLE LEVER ASSEMBLY, W/ CABLE	1	10/01/2014
26	20332	PITCH CONTROL CABLE M10-1.5	1	
27	20288	PULLEY ASSEMBLY	1	10/01/2014
		EURO WIRE ASSEMBLY	1	10/01/2014
	10525-SQPRO	BARTELL DECAL KIT	1	

BartellParts.com
800-889-0661

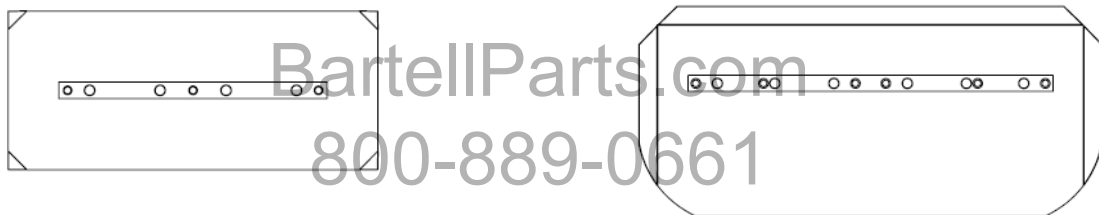
PARTS LIST 10: WALK-BEHIND TROWELS

BLADE KIT ASSEMBLY DIAGRAM



B446 BLADES, METRIC – PARTS LIST 10

Item #	Part #	Description	QTY	Remarks
1	-	TROWEL BLADE	4	08/04/2007
2	10452	HEX HD. CAP SCREW, M8-1.25 X 40MM	8	08/04/2007
3	10453	HEX HD. CAP SCREW, M8-1.25 X 50MM	4	08/04/2007
4	11614	LOCK WASHER, 5/16"	12	08/04/2007



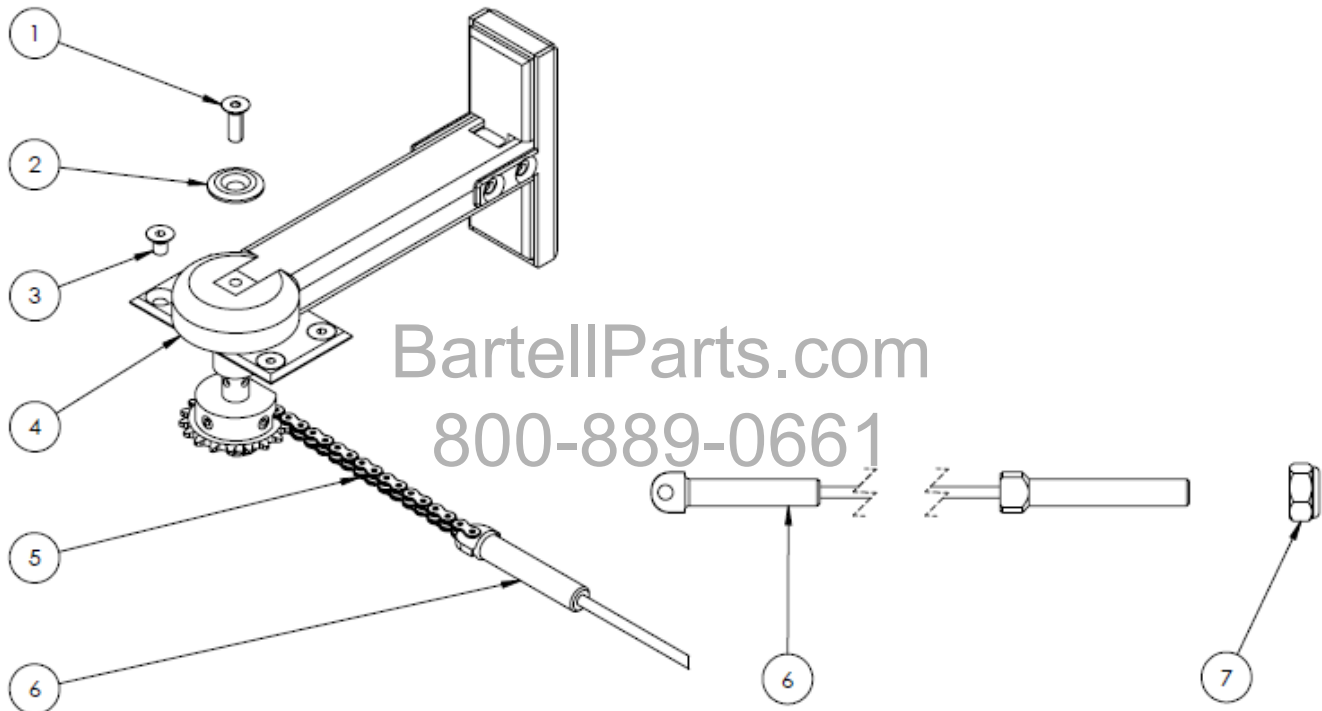
STANDARD FINISHING BLADE

STANDARD COMBINATION BLADE

Part #	Dimensions	Part #	Dimensions
20410	6" x 18"	20480	8" x 18"

PARTS LIST 11: WALK-BEHIND TROWELS

EASY PITCH ASSEMBLY DIAGRAM: 20259



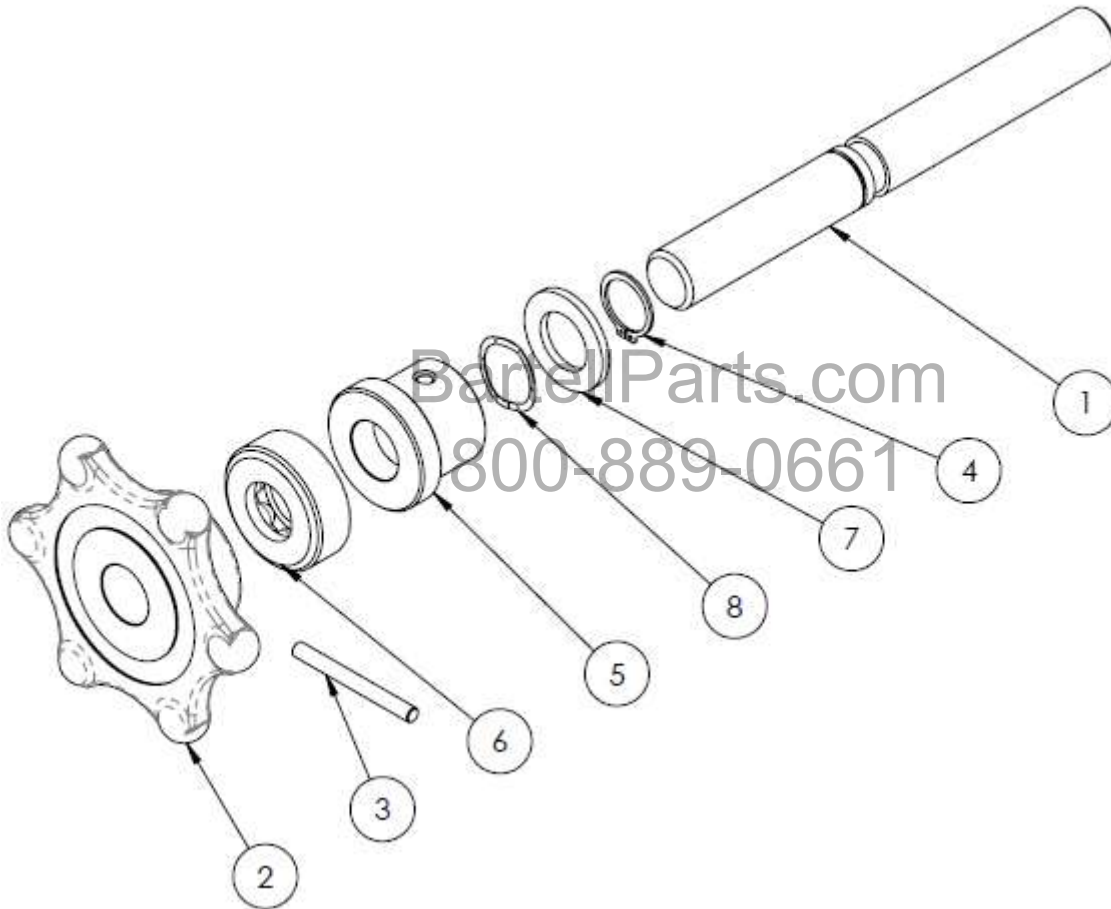
EASY PITCH: 20259 - PARTS LIST 11

Item #	Part #	Description	QTY	Remarks
1	20226	FHCS, M5-0.8 X 15MM	2	08/04/2007
2	20208	WASHER, M5, 3.5MM THICK	2	
3	20227	FHCS, M5-0.8 X 10 MM	4	08/04/2007
4	20270	HANDLE ASSEMBLY	1	08/04/2007
5	20209	CHAIN ASSEMBLY, #25	1	
6	20334	PITCH CONTROL CABLE	1	
7	11802	LOCK NUT, M10-1.5	1	

800-889-0661
SOLD AS ASSEMBLY ONLY

PARTS LIST 12 – WALK-BEHIND TROWELS

HAND KNOB ASSEMBLY DIAGRAM: 21714



HAND KNOB ASSEMBLY: 21714 – PARTS LIST 12

Item #	Part #	Description	QTY	Remarks
1	21713	SCREW SHAFT	1	1/21/2015
2	21707	KNOB	1	1/21/2015
3	21708	PIN, SPRING	1	1/21/2015
4	21712	RETAINER	1	1/21/2015
5	21710	BUSHING, HANDLE	1	1/21/2015
6	21709	BEARING, THRUST	1	1/21/2015
7	21711	WASHER	1	1/21/2015
8	21849	WASHER, WAVE	1	1/21/2015