

# OPERATOR'S SAFETY AND SERVICE MANUAL



## 2000, 2018 AP2000+ & 3550

This manual covers the following serial numbers  
and higher for each model listed:

2000.....	2064575.
2018.....	2180100.
3550.....	3551200.



## VIBRATORY PLATES

# ASPHALT WATER TANK

01066

01066

**CAUTION**

Machine may fall and cause injury or damage if lifted improperly. Lift by handles or rollcage only.

GP2000=165 lbs (75 kg)	AP3550=254 lbs (115 kg)
AP2000=193 lbs (88 kg)	GP5800=300 lbs (136 kg)
GP3550=226 lbs (103kg)	

16402

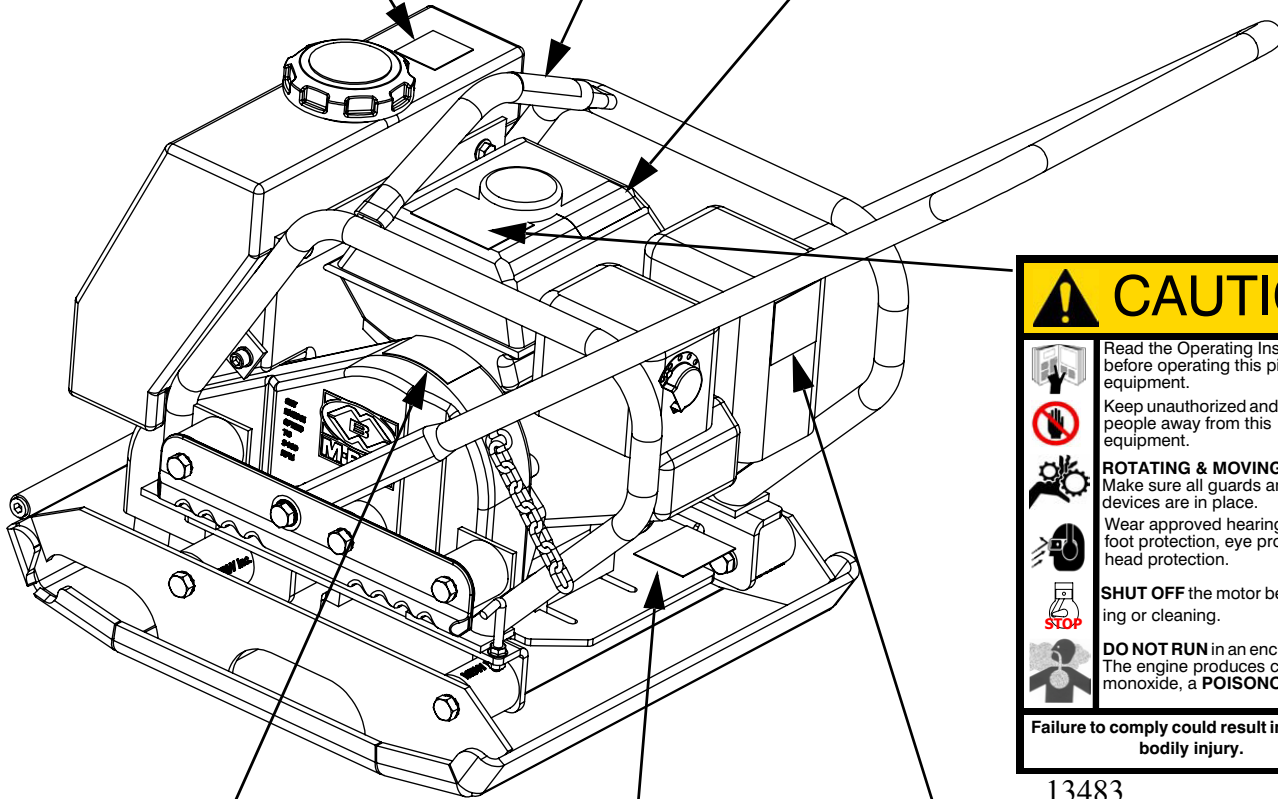
16402

**WARNING**

OPERATION OF THIS EQUIPMENT MAY CREATE SPARKS THAT CAN START FIRES AROUND DRY VEGETATION. A SPARK ARRESTER MAY BE REQUIRED. THE OPERATOR SHOULD CONTACT LOCAL FIRE AGENCIES FOR LAWS OR REGULATIONS RELATING TO FIRE PREVENTION

19791

19791



**CAUTION**

Read the Operating Instructions before operating this piece of equipment.

Keep unauthorized and untrained people away from this equipment.

**ROTATING & MOVING PARTS!** Make sure all guards and safety devices are in place.

Wear approved hearing protection, foot protection, eye protection and head protection.

**STOP** SHUT OFF the motor before servicing or cleaning.

**DO NOT RUN** in an enclosed area. The engine produces carbon monoxide, a **POISONOUS GAS**.

Failure to comply could result in serious bodily injury.

13483

13483

**WARNING**

**ROTATING PARTS**  
Keep hands away!

12573

MODEL 2000	SERIAL NO
<b>GROUND POUNDER DIV.</b>	
<b>M-B-W INC.</b>	
<b>SLINGER, WI 53086</b>	
MODEL 2000	SERIAL NO

18724

18724 - 2000

19451 - 2018

18703 - 3550

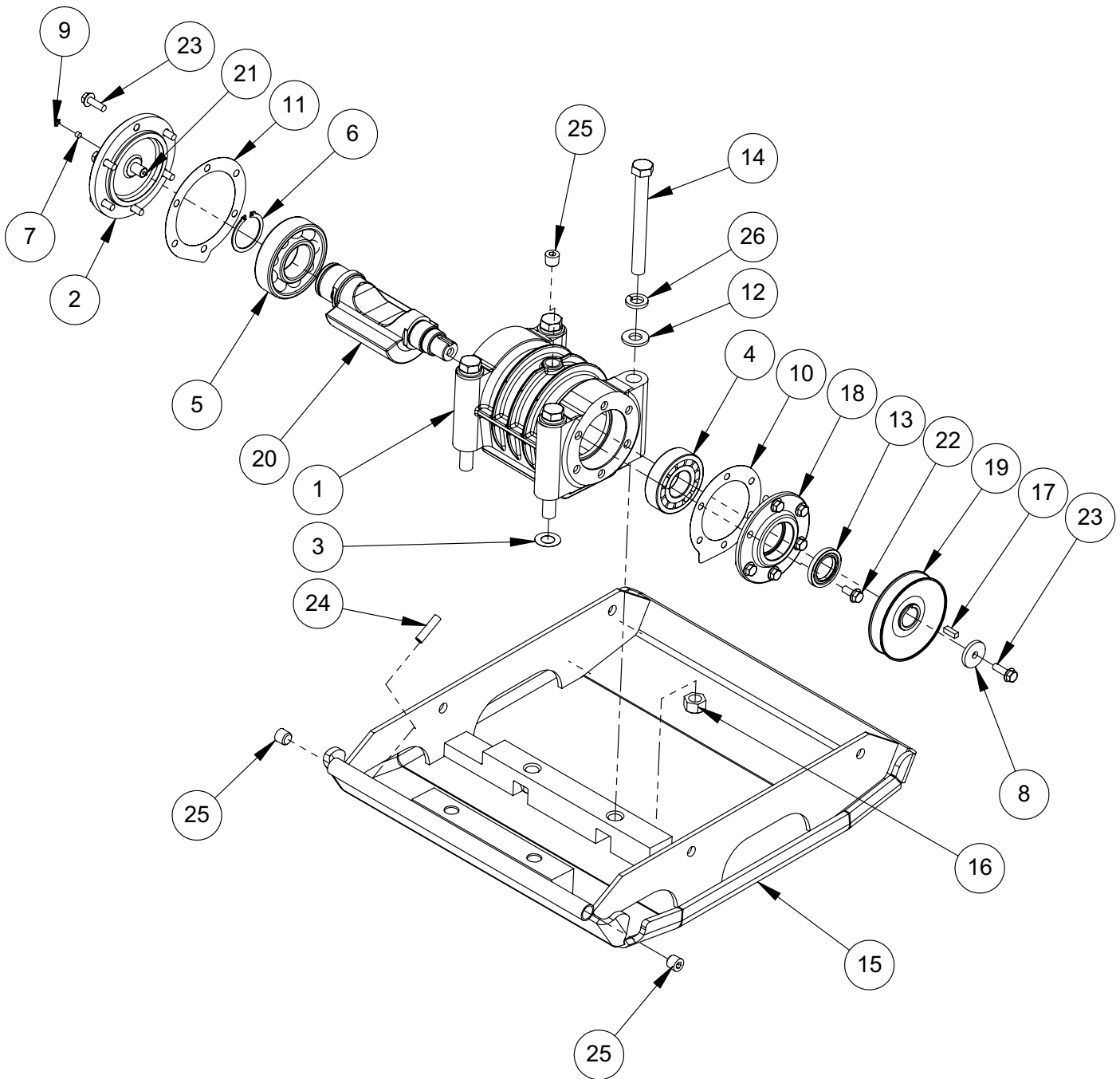
**PLATES**  
**OPERATING INSTRUCTIONS**

1. Check engine oil.
2. Open fuel valve.
3. Choke engine. A warm engine may not need to be choked.
4. Open throttle part way.
5. Pull starter rope.
6. After starting: open choke, return throttle to idle position.
7. During operation, when excessive kickback is noticed, maximum compaction has been reached.
8. To stop: Return throttle to idle position, use engine stop switch, close fuel valve.

13482

13482

Safety Decals (Decal Set #12100)

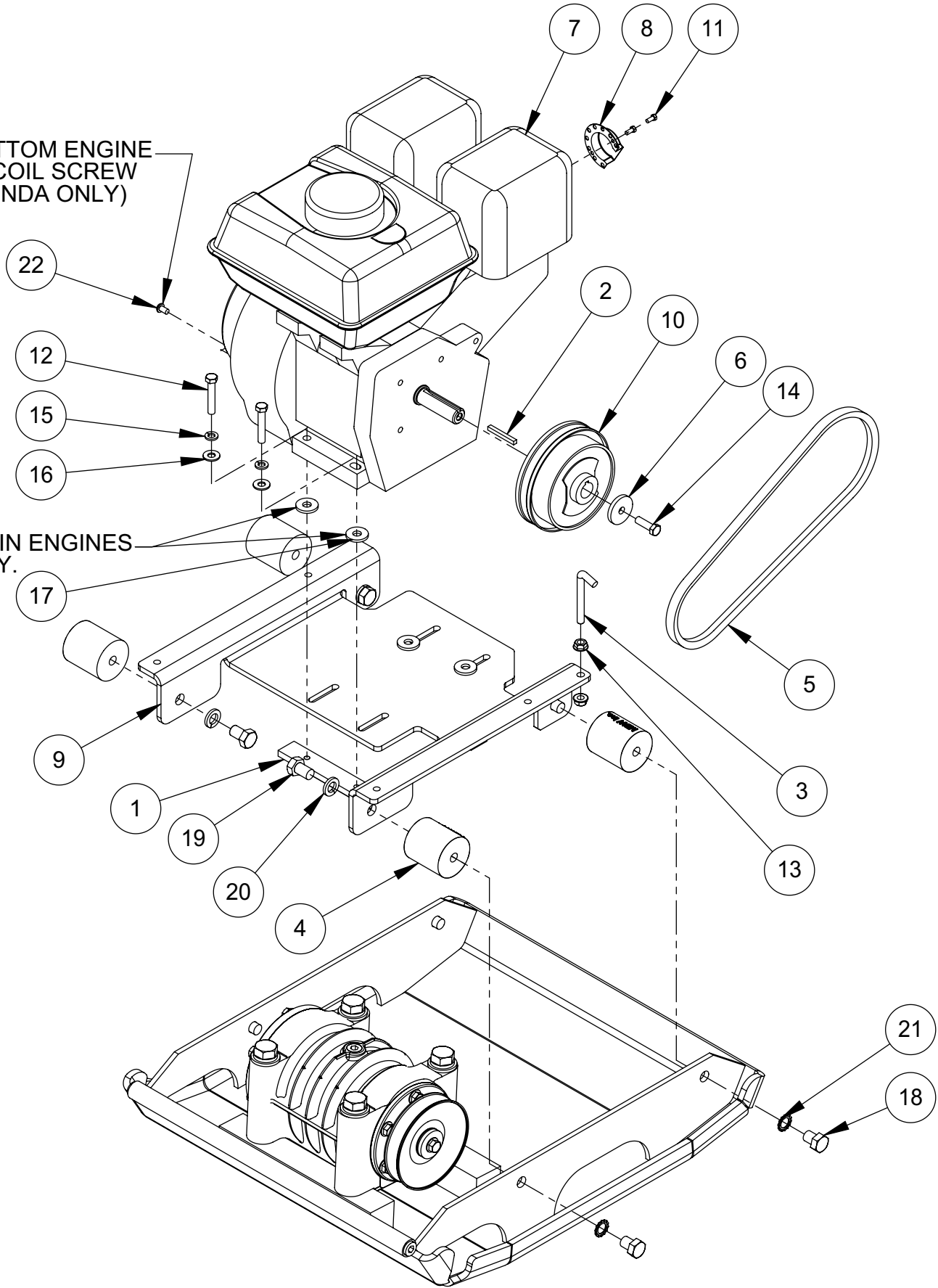


**2000 & 2018 EXCITER ASSEMBLY**

ITEM	PART NO.	DESCRIPTION	QTY
1.	00201	EXCITER HOUSING	1
2.	00206	REAR COVER	1
3.	00259	SHIM, EXCITER (AS REQUIRED)	
4.	01004	CYLINDRICAL ROLLER BEARING	1
5.	01070	BALL BEARING	1
6.	01071	RETAINING RING, EXTERNAL	1
7.	01072	FILTER, FELT	1
8.	01099	WASHER	1
9.	01191	RETAINING RING, INTERNAL	1
10.	06096	GASKET	1
11.	06097	GASKET	1
12.	13451	WASHER, 5/8, A325, STRUCTURAL	4
13.	17179	OIL SEAL	1
	01002	OIL SEAL, <b>SERIAL NO. 2064574 &amp; LOWER</b>	
14.	18696	HHCS, 5/8-11 X 5-3/4, GRADE 8	4
15.	18697	BASEPLATE	1
16.	18701	HEX NUT, 5/8-11, GRADE 8	4
17.	19135	KEY, 1/4" SQ. X 3/4 SQUARE ENDS	1
	01283	KEY, 1/4" SQ. X 1-1/4 ROUND ENDS, <b>SERIAL NO. 2064574 &amp; LOWER</b>	
18.	19628	FRONT COVER	1
	00005	FRONT COVER, <b>SERIAL NO. 2064574 &amp; LOWER</b>	
19.	19629	PULLEY, 4-3/8 DIA x 1.0 I.D., <b>AP2000</b> (ASPHALT VERSION)	1
	19630	PULLEY, 3-7/8 DIA x 1.0 I.D., <b>GP2000</b> (SOIL VERSION & AP2000+)	1
	00003	PULLEY, 4-3/8 DIA x 1-1/8 I.D., <b>AP2000</b> (ASPHALT PLATE) <b>SER. NO. 2064574 &amp; LOWER</b>	
20.	00348	PULLEY, 3-7/8 DIA x 1-1/8 I.D., <b>GP2000</b> (SOIL & 2000+ PLATE) <b>SER. NO. 2064574 &amp; LOWER</b>	
	19835	EXCITER SHAFT	1
	00202	EXCITER SHAFT, <b>SERIAL NO. 2064574 AND LOWER</b>	
21.	F0205SP	SPIROL PIN, 1/8 X 5/8 LG.	1
22.	F051806FWS	FLANGE LOCKING SCREW, 5/16-18 X 3/4 LG.	6
23.	F051808FWS	FLANGE LOCKING SCREW, 5/16-18 X 1 LG	7
24.	F0612SP	PIN, SPIROL	1
25.	F0618SPP	SOCKET PIPE PLUG, 3/8-18	3
26.	F10LW	LOCKWASHER, 5/8, ZP	4
		<b>SERVICE PARTS:</b>	
	00062	WASHER SEAL, PULLEY ( NOT SHOWN) <b>SERIAL NO. 2064574 AND LOWER</b>	
		<b>REPLACEMENT KIT:</b>	
	19836	EXCITER ASSEMBLY ( <b>DOES NOT INCLUDE ITEMS 8, 17, 19 &amp; 23</b> )	
	19837	EXCITER ASM. ASPHALT (INCLUDES ITEMS 8, 17, 19 & 23) <b>SERIAL NO. 2064574 &amp; BELOW</b>	
	19838	EXCITER ASM. SOIL (INCLUDES ITEMS 8, 17, 19 & 23) <b>SERIAL NO. 2064574 &amp; BELOW</b>	
	18757	BOTTOM PLATE, AP/GP2000 (INCLUDES ITEMS: 3, 12, 14, 15, 16, 24, 25 & 26)	

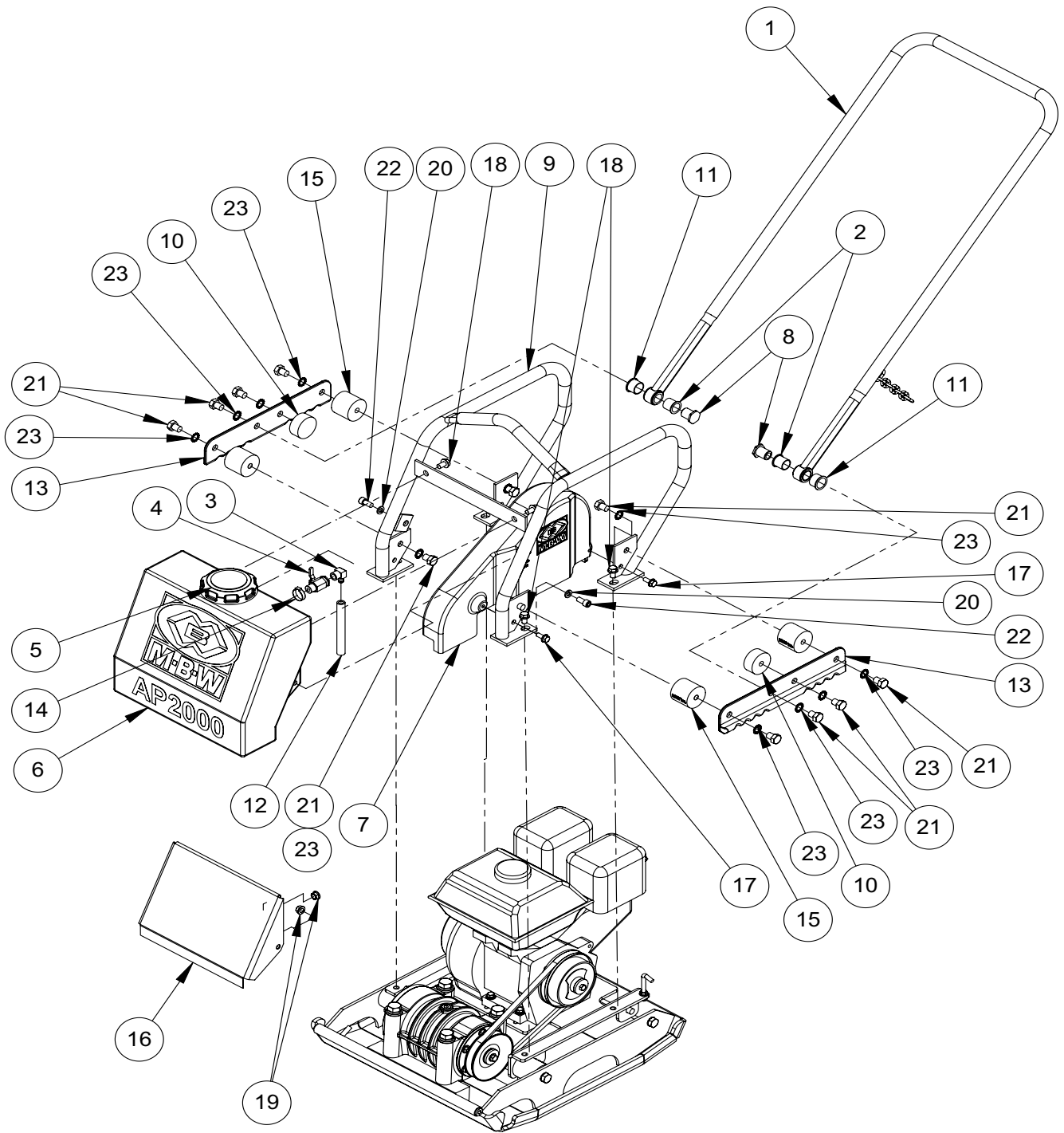
BOTTOM ENGINE  
RECOIL SCREW  
(HONDA ONLY)

ROBIN ENGINES  
ONLY.



# ENGINE ASSEMBLY 2000/

ITEM	PART NO.	DESCRIPTION	2000H	2000R	2000B	2018H	2018R	2018B
1.	00031	MOUNTING BAR, ENGINE	2	2	2	2	2	2
2.	00032	SHAFT KEY, 3/16" SQUARE x 1-5/8 LG.	1	1	1	1	1	1
3.	00048	HOOK BOLT, 5/16-18	1	1	1	1	1	1
4.	01011	SHOCK MOUNT	4	4	4	4	4	4
5.	01013	V-BELT A-30	1	1	1	1	1	1
6.	01099	WASHER	1	1	1	1	1	1
7.	01444	ENGINE HONDA, GX160	1			1		
	17210	ENGINE ROBIN, EX13	1	1		1	1	
	17370	ENGINE ROBIN, EX17 (OPTIONAL)		1			1	
	20382	ENGINE, BRIGGS, 550 SERIES (127 cc)			1			1
8.	07636	DEFLECTOR, EXHAUST, (HONDA)	1			1		
9.	19531	ENGINE DECK	1	1	1			
	19447	ENGINE DECK				1	1	1
10.	16105	CLUTCH, CENTRIFUGAL	1	1	1	1	1	1
11.	F0203HTB	SCREW, #8 x 3/8" LG. TYPE A, WASHER HEAD	2			2		
12.	F051814HCS	HHCS, 5/16-18 x 1-3/4 LG. GRADE 5	4	4	4	4	4	4
13.	F0518FN	NUT, FLANGE WHIZ-LOCK, 5/16-18, ZP	2	2	2	2	2	2
14.	F052408HCS	HHCS, 5/16-18 X 1 LG. ZP	1	1	1	1	1	1
15.	F05LW	LOCKWASHER, 5/16, ZP	4	4	4	4	4	4
16.	F05SW	WASHER, 5/16, ZP	4	4	4	4	4	4
17.	F06SW	WASHER, 3/8, ZP		4	4		4	4
18.	F081305HCS	HHCS, 1/2-13 x 5/8 LG. GRADE 5, ZP	4	4	4	4	4	4
19.	F081306HCS	HHCS, 1/2-13 x 3/4 LG. GRADE 5, ZP	4	4	4	4	4	4
20.	F08LW	LOCKWASHER, 1/2, ZP	4	4	4	4	4	4
21.	M12ETLW	LOCKWASHER, M12, EXTERNAL TOOTH	4	4	4	4	4	4
22.	M06C010BCS	BUTTON HEAD SCREW, M6 x 10mm	1			1		
		<b>KITS:</b>						
	20185	SERVICE KIT, HONDA 2000 PLATE, (4) #01011 SHOCK MOUNT						
		(4) #17170 SHOCK MOUNT (1) #01013 V-BELT						
		(1) #19951 1-QUART OIL, 10W30 OIL (1) #20186 oz. BOTTLE EXCITER OIL						
		(1) #Q17210ZE1822 AIR CLEANER ELEMENT (1) #Q9807956846 SPARK PLUG						



# ROLLCAGE

ITEM	PART NO.	DESCRIPTION	2000	3550
1.	00226	HANDLE, COATED (INCLUDES ITEMS 2 & 11)	1	1
2.	01019	HANDLE BUSHING, INNER	2	2
3.	12891	FITTING, 90 DEG. MALE, 3/8 NPT, BRASS	1	1
4.	13947	BALL VALVE, 3/8 NPT, BRASS	1	1
5.	14202	CAP, WATER TANK	1	1
6.	15697	WATER TANK (AP2000)	1	
	18753	WATER TANK (AP3550)		1
7.	15765	BELT GUARD	1	
	18690	BELT GUARD		1
8.	15830	HANDLE ATTACHMENT NUT	2	2
9.	15941	ROLL CAGE, COATED	1	1
10.	16189	SHOCK MOUNT	2	2
11.	16191	HANDLE BUSHING, OUTER	2	2
12.	16201	HOSE, WATER TANK, 3/8 X 5.25 LG.	1	
	18583	HOSE, WATER TANK, 3/8 X 7.250 LG.		1
13.	16227	LIFT HANDLE, COATED	2	2
14.	16365	CLAMP, WATER TANK	1	1
15.	17170	SHOCK MOUNT	4	4
16.	17722	COVER PLATE, GP2000	1	
	18722	COVER PLATE, GP3550		1
17.	F051806FWS	FWLS, 5/16-18 x 3/4 LG., ZP	2	2
18.	F061605FWS	FWLS, 3/8-16 x 5/8 LG., ZP	6	6
19.	F0616FN	FLANGE WHIZ-LOCK NUT, 3/8-16, ZP	4	4
20.	F06LW	LOCKWASHER, 3/8, ZP	2	2
21.	F081305HCS	HHCS, 1/2-13 x 5/8 LG., GRADE 5, ZP	16	16
22.	F061606SCSSS	SOCKET HEAD CAP SCREW, 3/8-16 x 3/4 LG., STAINLESS STEEL	2	2
23.	M12ETLW	LOCKWASHER, M12, EXTERNAL TOOTH	4	4
		<b>REPLACEMENT KIT</b>		
	16706	2000 WATER TANK (COMPLETE) INCLUDES ITEMS: 3, 4, 5, 6, 12 & 14	1	
	18754	3550 WATER TANK (COMPLETE) INCLUDES ITEMS: 3, 4, 5, 6, 12 & 14		1
	18714	KIT CONVERSION FROM SOIL TO ASPHALT (AP2000)	1	
	19254	KIT CONVERSION FROM SOIL TO ASPHALT (AP3550)		1
	18718	KIT, PAVER PAD, 2000	1	
	18719	KIT, PAVER PAD, 3550		1