

Fig1 GA of Creasematic Auto50

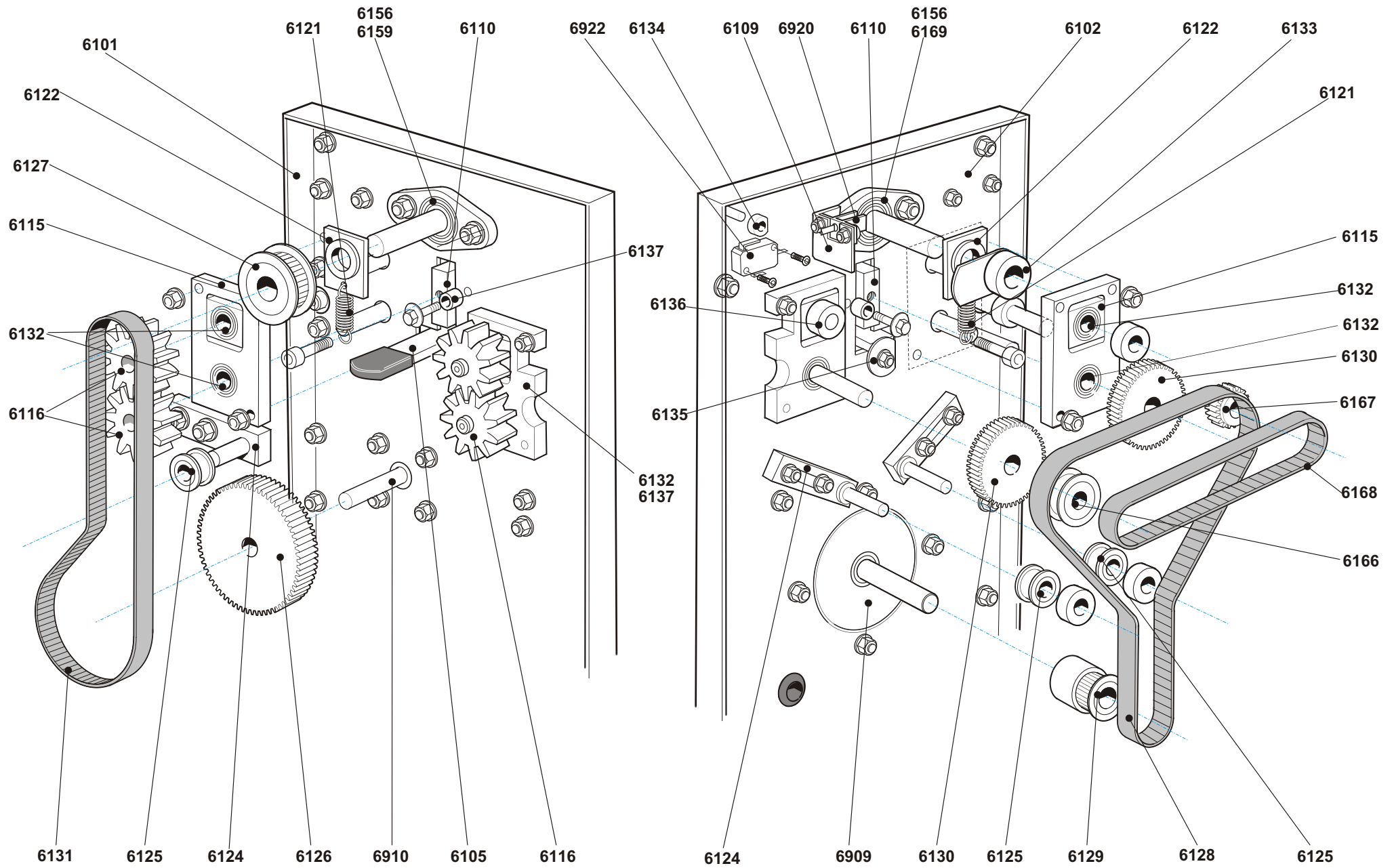


Fig 2 auto50 Drive and Knife side panel assy

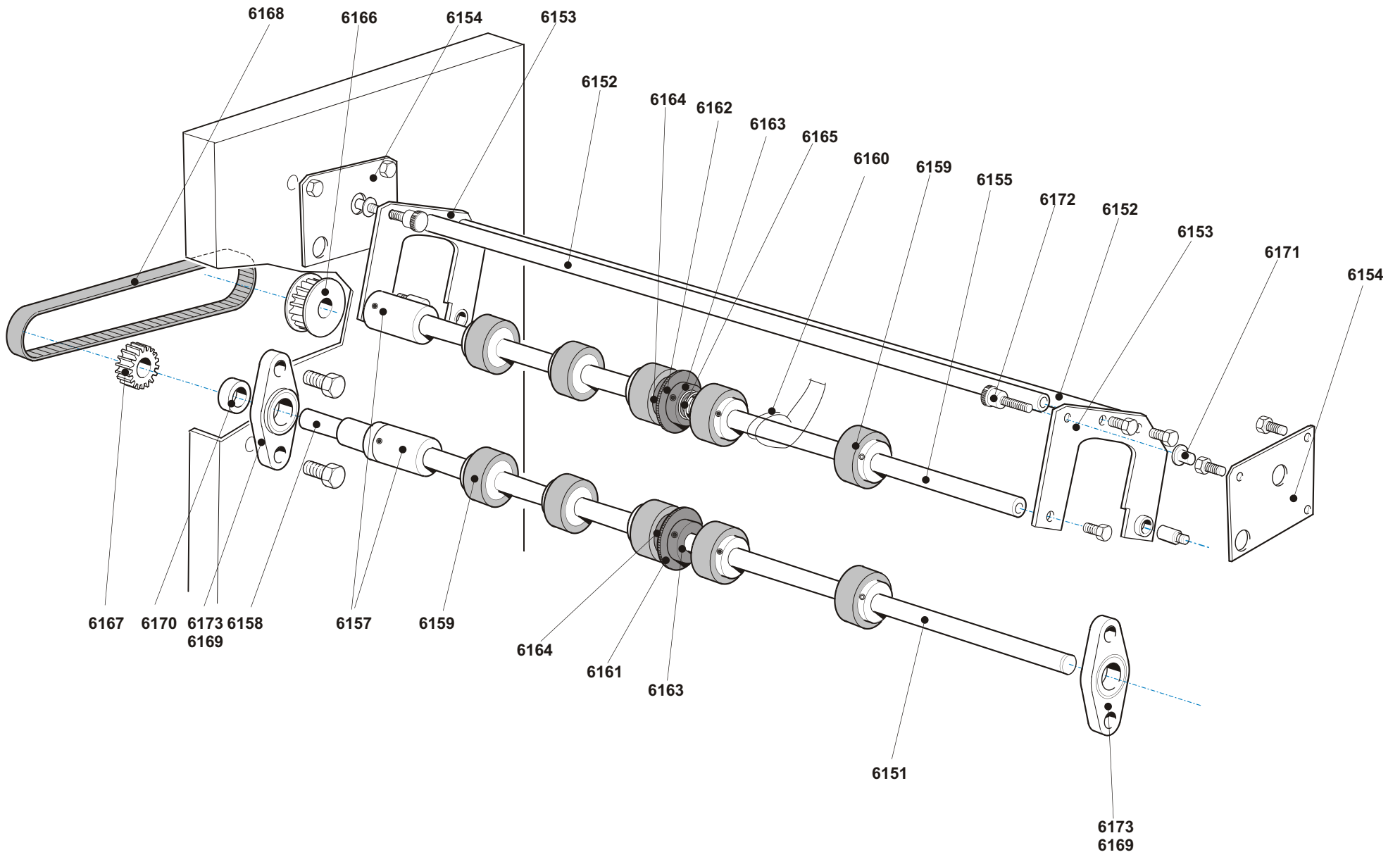


Fig 4 PERFORATION ASSY AUTO50

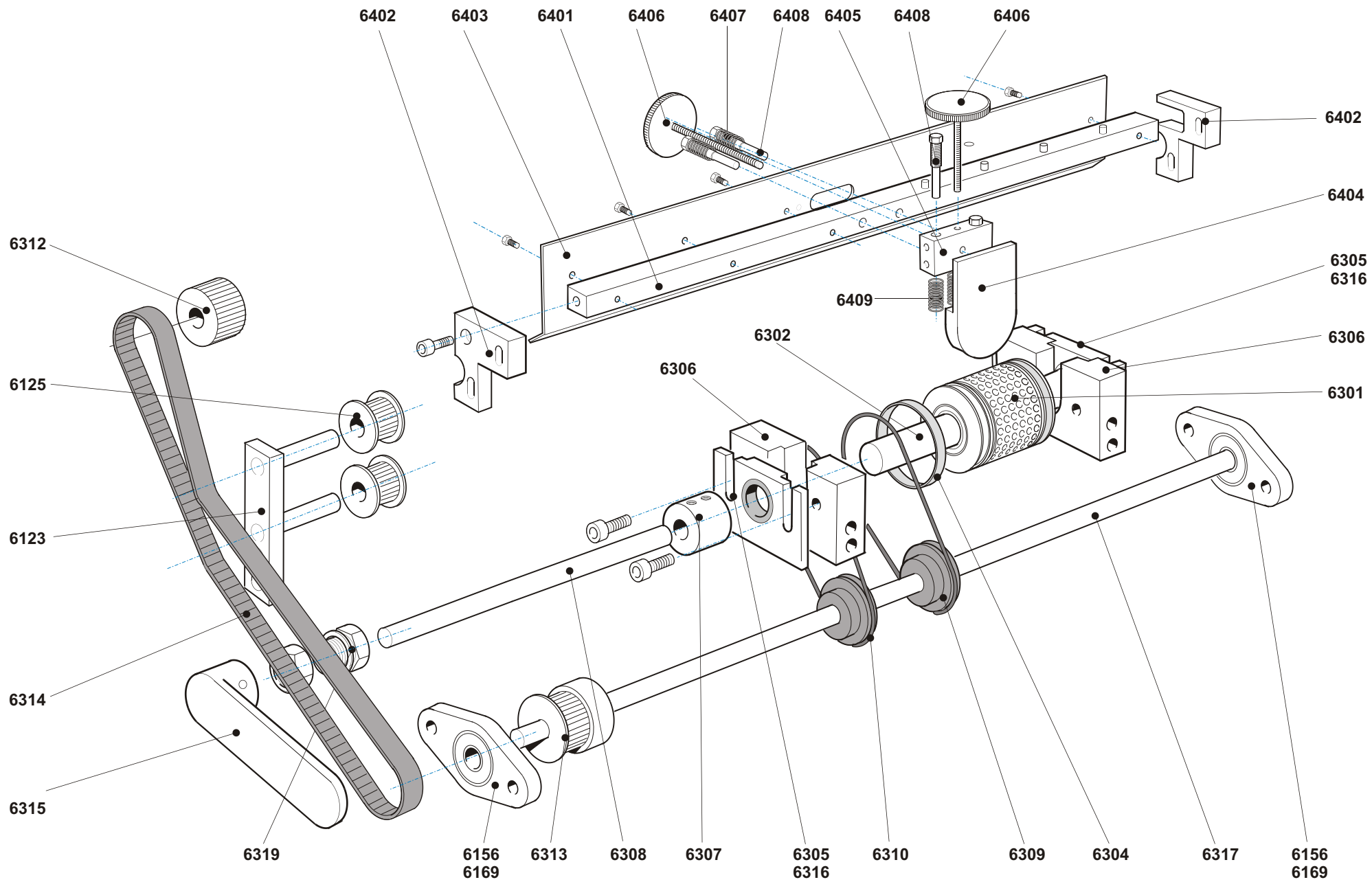


Fig 5 Vacuum and gate assy

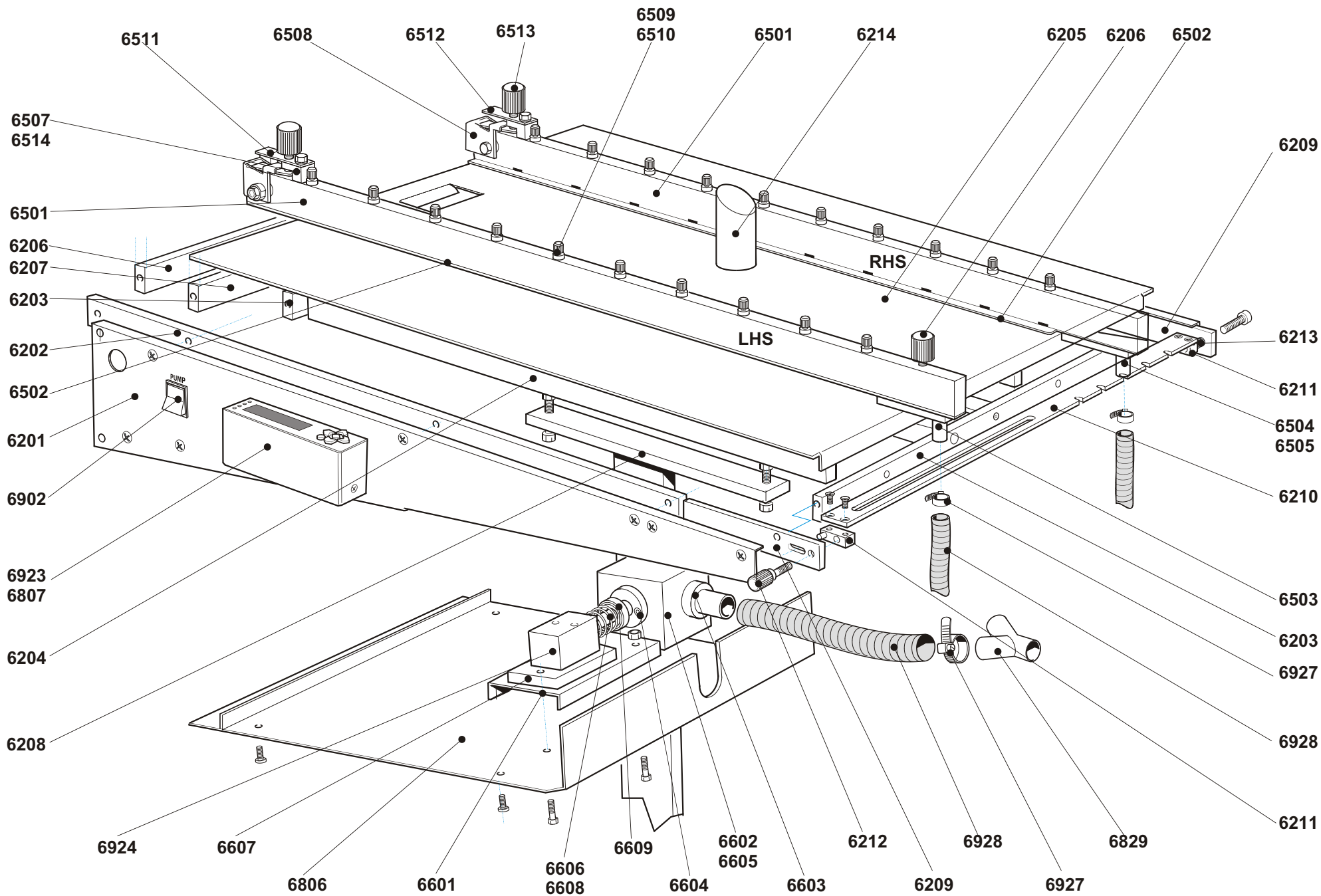


Fig 6 INFEED TABLE

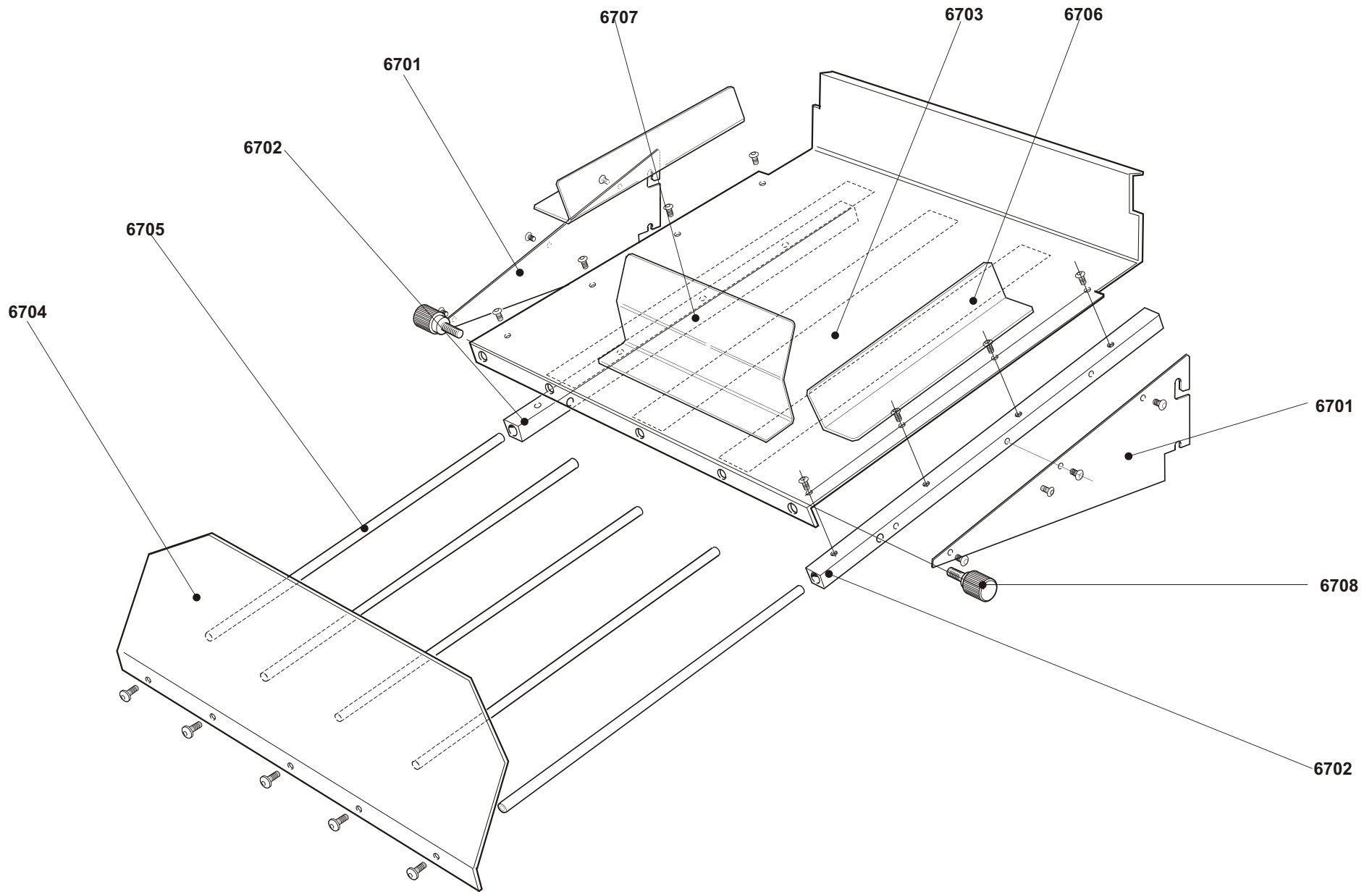


FIG 7 OUTFEED TRAY

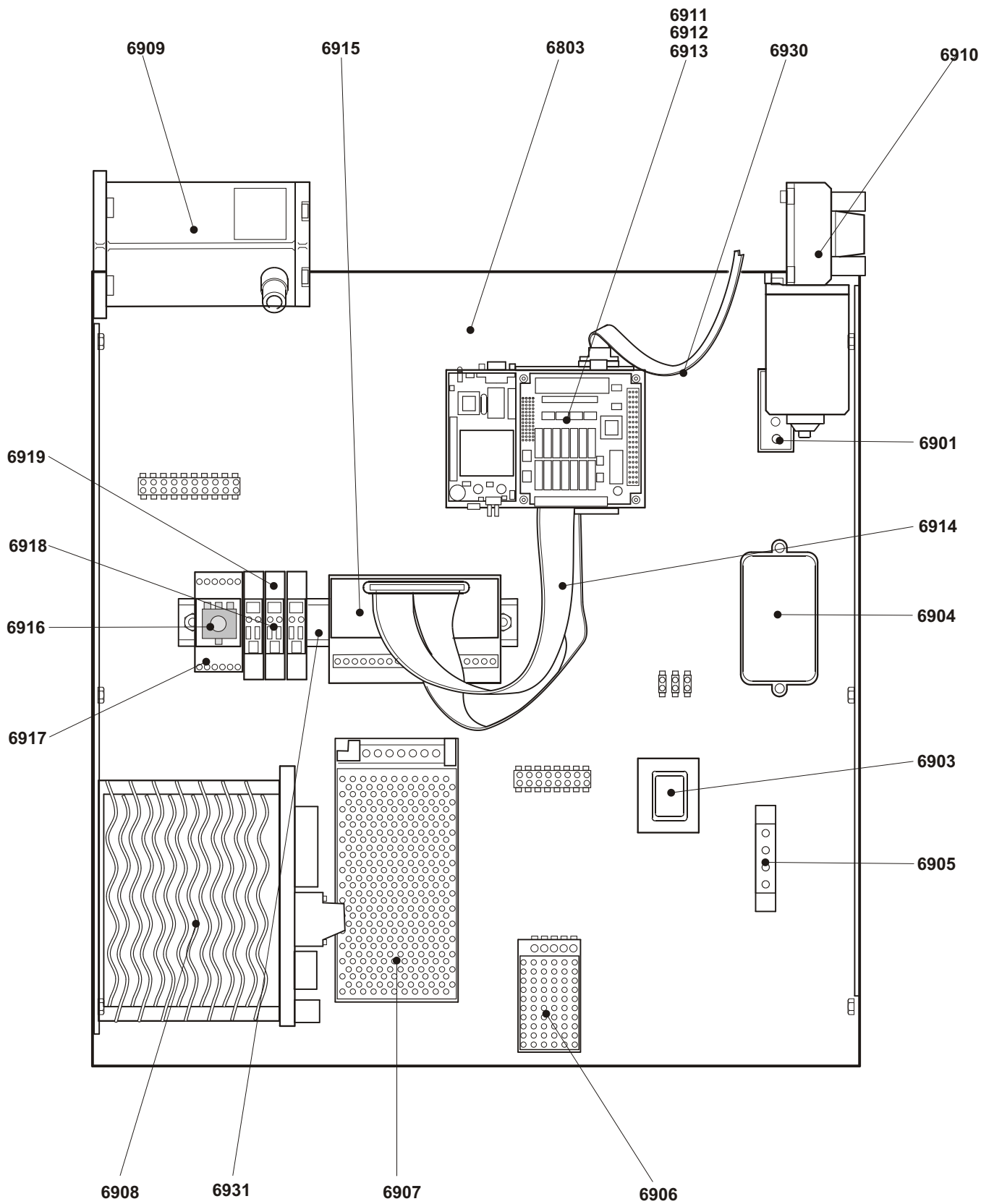


Fig.8 AUTO50 ELECTRICAL COMPONENT PANEL

Part No	Part	Quantity
6100	MAIN ASSEMBLY	
6101	side panel drive side	1
6102	side panel knife side	1
6103	tie bar	1
6104	crease tool holder	1
6105	crease tool	1
6106	infeed guide	1
6107	outfeed guide	1
6108	paper photo bracket	1
6109	knife photo bracket	1
6110	knife holder	1
6111	knife	1
6112	knife clamp	1
6113	feed roll lower	2
6114	feed roll upper	2
6115	drive bearing	4
6116	acetal gears	4
6117	knife driver	1
6118	stub shafts	2
6119	disk holder	3
6120	friction disk	3
6121	return springs	2
6122	link	2
6123	idle block double	1
6124	idle blocks	3
6125	idle pulleys	5
6126	knife drive 63T	1
6127	knife driven 16T	1
6128	240 XL 037	1
6129	drive drive 16T	1
6130	drive driven 32T	2
6131	180 XL 037	1
6132	ball race ID3/8"	8
6133	knife flag	1
6134	cover switch cam	1
6135	tool stop washer	1
6136	collar 3/8"	4
6137		
6138		
6139		
6140		

Part No	Part	Quantity
6150	PERF. ASSEMBLY	
6151	anvil shaft	1
6152	tie shaft	2
6153	bracket	2
6154	location plate	2
6155	knife shaft	1
6156	bearing holder ID1/2"	4
6157	knife shaft coupling	2
6158	stub shaft	1
6159	control wheels	10
6160	finger guard	1
6161	blade	1
6162	perforator	1
6163	tool holder	2
6164	tool nut	2
6165	spring	1
6166	perf drive 18T	1
6167	perf driven 16T	1
6168	130 XL 037	1
6169	ball race ID1/2"	6
6170	collar 1/2"	1
6171	locating pin	2
6172	locating pin head	2
6173	bearing holder 1/2"	2
6174		
6175		
6176		
6177		
6178		
6179		

Part No	Part	Quantity
6200	INFEED TABLE ASSEMBLY	
6201	side plates	2
6202	side bars	2
6203	cross bars	2
6204	support bar	3
6205	top plate	1
6206	front tie bar	1
6207	tie bar	1
6208	leg	2
6209	extension arms	2
6210	skew adjust bar	1
6211	skew adjust block	2
6212	thumb screw	1
6213	spring	1
6214	back stop	1
6215		
6216		
6217		
6218		
6219		
6220		
6221		
6222		
6223		
6224		
6225		

Part No	Part	Quantity
6300	VACUUM WHEEL ASSEMBLY	
6301	wheel	1
6302	spindle	1
6303	collar	0
6304	band	2
6305	bearing	1
6306	bearing holder	1
6307	coupling	1
6308	shaft	1
6309	drive wheels	2
6310	drive bands	2
6311	bearing	1
6312	drive pulley 12T	1
6313	driven pulley 16T	1
6314	170 XL 037	1
6315	hand wheel	1
6316	PB bush	2
6317	shaft	1
6318		
6319		
6320		
6321		
6322		
6323		
6324		
6325		
6326		

Part No	Part	Quantity
6400	GATE ASSEMBLY	
6401	gate bar	1
6402	retaining blocks	2
6403	infeed guard	1
6404	gate front block	1
6405	gate back block	1
6406	hand wheel	2
6407	spring	2
6408	location pin	4
6409	spring	2
6410		
6411		
6412		
6413		
6414		
6415		

Part No	Part	Quantity
6500	SIDE LAY ASSEMBLY	
6501	side lay	2
6502	bottom plate	2
6503	air infeed block LHS	1
6504	air infeed block RHS	1
6505	rear nut block	2
6506	thumbscrew	1
6507	front clamp block	2
6508	front clamp plate	2
6509	threaded inserts	16
6510	air adjusters	16
6511	locating plate LHS	1
6512	locating plate RHS	1
6513	thumbscrew	2
6514	front nut block	2
6515		
6516		
6517		

Part No	Part	Quantity
6600	VALVE ASSEMBLY	
6601	mounting plate	1
6602	main body	1
6603	nozzles	2
6604	nozzle	1
6605	slider	1
6606	link arm	1
6607	solenoid mount block	1
6608	spring	1
6609	pressure adjust plate	1
6610		
6611		
6612		
6613		
6614		
6615		

Part No	Part	Quantity
6700	OUTFEED TABLE ASSEMBLY	
6701	side plates	2
6702	side bars	2
6703	top plate	1
6704	back stop	1
6705	back stop rod	5
6706		
6707		
6708		
6709		
6710		
6711		
6712		

Part No	Part	Quantity
6800	COVERS	
6801	safety cover perspex	1
6802	cover bar	1
6803	wiring panel	1
6804	electric cover	1
6805	cover bracket	2
6806	valve cover	1
6807	display box	1
6808	base	1
6809	base top plate	1
6810	castor	1
6811	wheel	1
6812	near side cover	1
6813	far side cover	1
6814		
6815		
6816		
6817		
6818		

Part No	Part	Quantity
6900	ELECTRICAL PARTS	
6901	inlet switch	1
6902	compressor switch	1
6903	output socket	1
6904	filter	1
6905	connection block	1
6906	5volt power supply	1
6907	24volt power supply	1
6908	motor inverter	1
6909	motor	1
6910	knife motor	1
6911	processor board	1
6912	input board	1
6913	output board	1
6914	ribon connector	1
6915	IDC connector	1
6916	11 pin relay	1
6917	relay base	1
6918	8 pin relay	3
6919	relay base	3
6920	knife photocell	1
6921	paper photocell - emitter & receiver	1
6922	cover switch	1
6923	display	1
6924	valve solenoid	1
6925	power lead	1
6926	compressor	1
6927	jubily clips	10
6928	hose	3
6929	Inverter (compressor)	
6930		
6931		
6932		
6933		
6934		
6935		
6936		
6937		
6938		
6939		
6940		
6941		
6942		
6943		
6944		
6945		
6946		
6947		
6948		
6949		
6950		