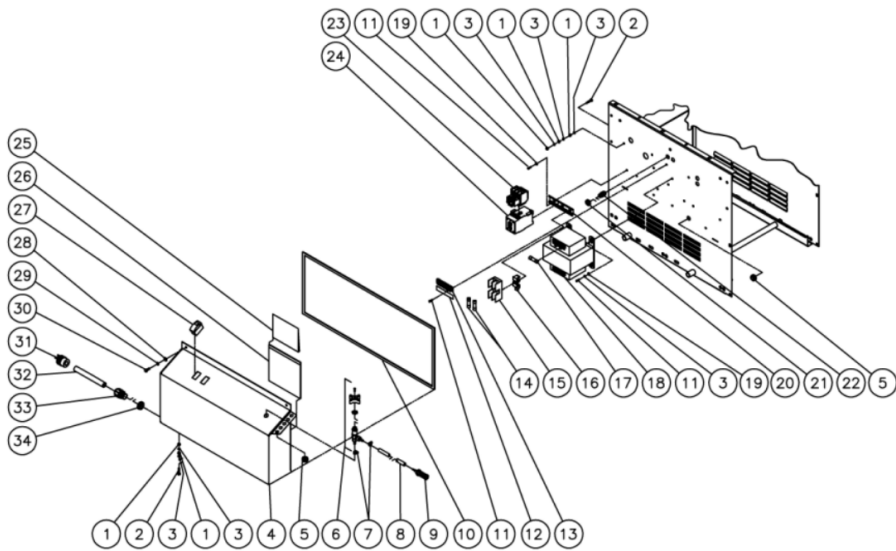




HHS-3005-0E4G / HHS-3005-0E4G (sn:0-99999999)

## ELECTRIC BOX



| Id | Item #     | Description  | Quantity | Rev | Comments |
|----|------------|--------------|----------|-----|----------|
| 1  | 30-6001    | NUT          | 5        |     |          |
| 2  | 27-8807    | BOLT         | 2        |     |          |
| 3  | 28-1009    | WASHER       | 9        |     |          |
| 4  | 20-0534A18 | ELECTRIC BOX | 1        |     |          |

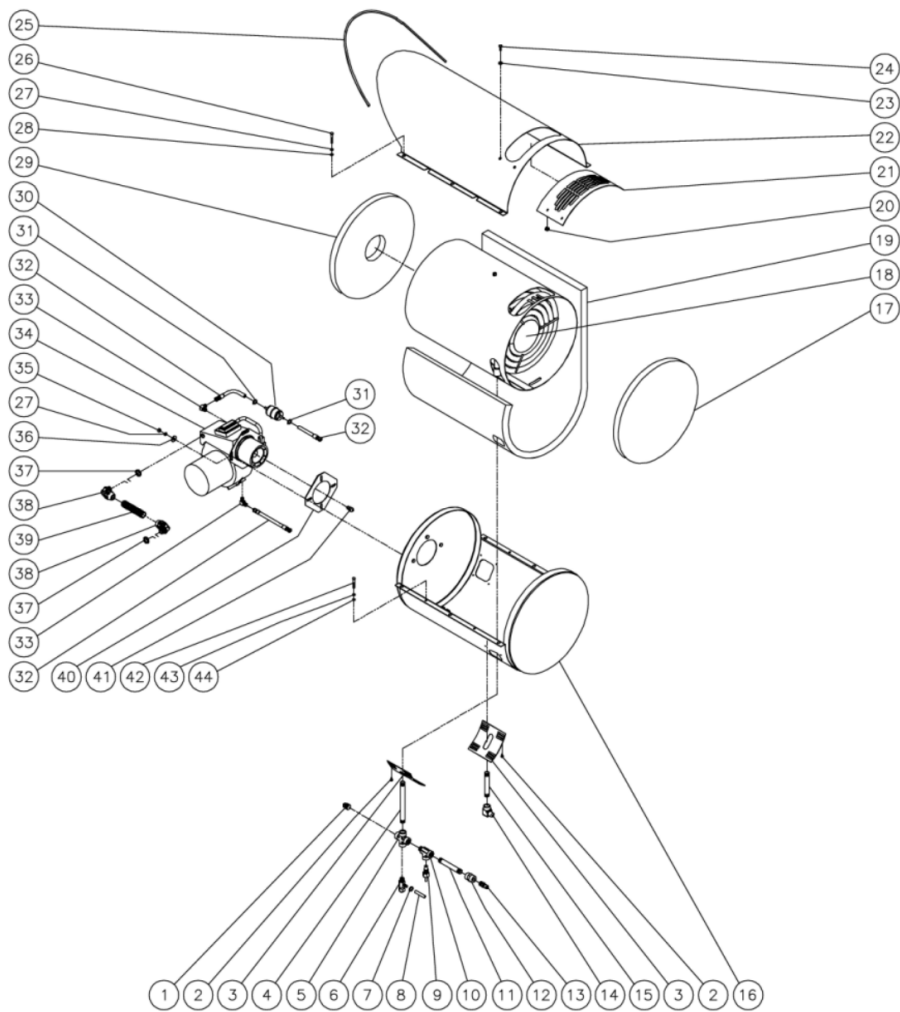
| Id | Item #  | Description                           | Quantity | Rev | Comments |
|----|---------|---------------------------------------|----------|-----|----------|
| 5  | 33-0001 | GROMMET                               | 9        |     |          |
| 6  | 22-0226 | DETERGENT VALVE                       | 1        |     |          |
| 7  | 42-0004 | HOSE CLAMP                            | 2        |     |          |
| 8  | 15-0021 | HOSE *(SIX FEET REQUIRED)             | 1        |     |          |
| 9  | 19-0056 | DETERGENT STRAINER W/CHECK            | 1        |     |          |
| 10 | 26-0240 | GASKET                                | 1        |     |          |
| 11 | 27-8835 | SCREW                                 | 8        |     |          |
| 12 | 34-0867 | DECAL- TERMINAL STRIP                 | 1        |     |          |
| 13 | 32-0436 | TERMINAL STRIP                        | 1        |     |          |
| 14 | 32-0676 | FUSE- 1 AMP                           | 2        |     |          |
| 15 | 32-0681 | FUSE HOLDER                           | 1        |     |          |
| 16 | 32-0682 | DIN RAIL MOUNT ADAPTER                | 2        |     |          |
| 17 | 32-0675 | FUSE- 10 AMP                          | 1        |     |          |
| 18 | 32-0678 | TRANSFORMER                           | 1        |     |          |
| 19 | 28-0001 | WASHER                                | 6        |     |          |
| 20 | 32-0316 | DIN RAIL *(ONE FOOT REQUIRED)         | 1        |     |          |
| 21 | 32-0587 | LOCKNUT                               | 1        |     |          |
| 22 | 32-0586 | STRAIN RELIEF                         | 1        |     |          |
| 23 | 32-0481 | OVERLOAD RELAY (HHS-2004-0E4G/A)      | 1        |     |          |
| 23 | 32-0482 | OVERLOAD RELAY (HHS-3004/3005-0E4G/A) | 1        |     |          |
| 24 | 32-0477 | CONTACTOR                             | 1        |     |          |
| 25 | 37-0608 | WIRE DIAGRAM/SCHEMATIC                | 1        |     |          |
| 26 | 41-0184 | ENVELOPE                              | 1        |     |          |
| 27 | 32-0669 | ROCKER SWITCH                         | 2        |     |          |
| 28 | 28-0002 | WASHER                                | 3        |     |          |
| 29 | 29-0006 | LOCKWASHER                            | 3        |     |          |
| 30 | 27-0015 | BOLT                                  | 3        |     |          |
| 31 | 32-0117 | PLUG                                  | 1        |     |          |
| 32 | 32-0023 | CORD *(THIRTY-SEVEN FEET REQUIRED)    | 1        |     |          |
| 33 | 9-0046  | STRAIN RELIEF                         | 1        |     |          |
| 34 | 32-0292 | LOCKNUT                               | 1        |     |          |

\*MUST ORDER IN ONE FOOT LENGTHS



HHS-3005-0E4G / HHS-3005-0E4G (sn:0-99999999)

## HEAT EXCHANGER



| Id | Item #     | Description | Quantity | Rev | Comments |
|----|------------|-------------|----------|-----|----------|
| 1  | 39-0016    | PLUG        | 1        |     |          |
| 2  | 27-3062    | SCREW       | 8        |     |          |
| 3  | 20-0537A18 | PATCH PLATE | 2        |     |          |
| 4  | 24-0255    | PIPE NIPPLE | 1        |     |          |

| Id | Item #     | Description  | Quantity | Rev | Comments |
|----|------------|--|----------|-----|----------|
| 5  | 24-0241    | CROSS  | 1        |     |          |
| 6  | 22-0308    | SAFETY RELIEF VALVE ASSY (HHS-1 002/1003/2004)       | 1        |     |          |
| -  | 22-0309    | SAFETY RELIEF VALVE ASSY (HHS-3004)                  | 1        |     |          |
| 7  | 42-0004    | CLAMP  | 1        |     |          |
| 8  | 15-0008    | HOSE *(TWO FEET REQUIRED)                            | 1        |     |          |
| 9  | 32-0667    | HI-LIMIT   | 1        |     |          |
| 10 | 24-0242    | STREET TEE   | 1        |     |          |
| 11 | 24-0246    | PIPE NIPPLE  | 1        |     |          |
| 12 | 24-0243    | ADAPTER  | 1        |     |          |
| 13 | 17-0005    | QUICK CONNECT PLUG                                   | 1        |     |          |
| 14 | 24-0240    | ELBOW  | 1        |     |          |
| 15 | 24-0245    | PIPE NIPPLE  | 1        |     |          |
| 16 | 20-0527A18 | BOTTOM WRAP ASSEMBLY                                 | 1        |     |          |
| 17 | 33-0346    | INSULATION DOME                                      | 1        |     |          |
| 18 | 66-0014    | COIL ASSEMBLY  | 1        |     |          |
| 19 | 850-0279   | INSULATION BLANKET (REPLACEMENT ONLY)                | 1        |     |          |
| 20 | 30-6028    | CLIP NUT   | 4        |     |          |
| 21 | 21-0138    | EXHAUST PLATE  | 1        |     |          |
| 22 | 20-0528A09 | TOP WRAP   | 1        |     |          |
| 23 | 28-0001    | WASHER   | 4        |     |          |
| 24 | 27-8912    | SCREW  | 4        |     |          |
| 25 | 33-0020    | TRIMLOCK *(THREE FEET REQUIRED)                      | 1        |     |          |
| 26 | 27-0121    | BOLT   | 6        |     |          |
| 27 | 29-0008    | LOCKWASHER   | 9        |     |          |
| 28 | 28-0030    | WASHER   | 6        |     |          |
| 29 | 33-0345    | INSULATION DOME                                      | 1        |     |          |
| 30 | 19-0110    | INLINE FUEL FILTER                                   | 1        |     |          |
| 31 | 42-0003    | CLAMP  | 2        |     |          |
| 32 | 15-0147    | FUEL HOSE  | 2        |     |          |
| 33 | 23-0237    | ELBOW  | 2        |     |          |
| 34 | 4-0020     | BURNER (HHS-1002-0E1A/1G)                            | 1        |     |          |
| 34 | 4-0019     | BURNER (HHS-1003-0E1A/1G)                            | 1        |     |          |
| 34 | 4-0018     | BURNER (HHS-2004/3004-0E2/3/8/9A/G, HHS-3005-0E3A/G) | 1        |     |          |
| 34 | 4-0017     | BURNER (HHS-2004/3004/3005-0E4A/G)                   | 1        |     |          |
| 35 | 30-0006    | NUT  | 3        |     |          |
| 36 | 28-0023    | WASHER   | 3        |     |          |
| 37 | 32-0108    | CONDUIT W/ELBOW                                      | 2        |     |          |
| 38 | 32-0254    | ELBOW  | 2        |     |          |
| 39 | 32-0253    | CONDUIT *(TWO FEET REQUIRED)                         | 1        |     |          |

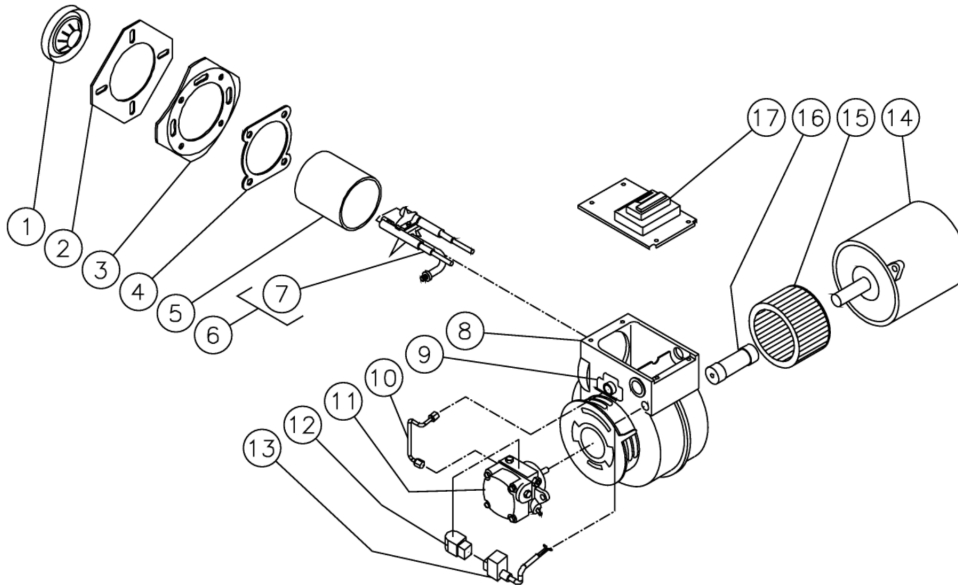
| <b>Id</b> | <b>Item #</b> | <b>Description</b>           | <b>Quantity</b> | <b>Rev</b> | <b>Comments</b> |
|-----------|---------------|------------------------------|-----------------|------------|-----------------|
| 40        | 44-0108       | GASKET W/BURNER              | 1               |            |                 |
| 41        | 18-0357       | FUEL NOZZLE- 1.00 (HHS-1002) | 1               |            |                 |
| 41        | 18-0356       | FUEL NOZZLE- 1.50 (HHS-1003) | 1               |            |                 |
| 41        | 18-0355       | FUEL NOZZLE- 1.75 (HHS-3004) | 1               |            |                 |
| 41        | 18-0090       | FUEL NOZZLE- 2.25 (HHS-2004) | 1               |            |                 |
| 41        | 18-0093       | FUEL NOZZLE- 2.50 (HHS-3005) | 1               |            |                 |
| 42        | 27-0019       | BOLT                         | 4               |            |                 |
| 43        | 29-0006       | LOCKWASHER                   | 4               |            |                 |
| 44        | 28-0002       | WASHER                       | 4               |            |                 |

\*MUST ORDER IN ONE FOOT LENGTHS



HHS-3005-0E4G / HHS-3005-0E4G (sn:0-99999999)

## BURNER ASSEMBLY



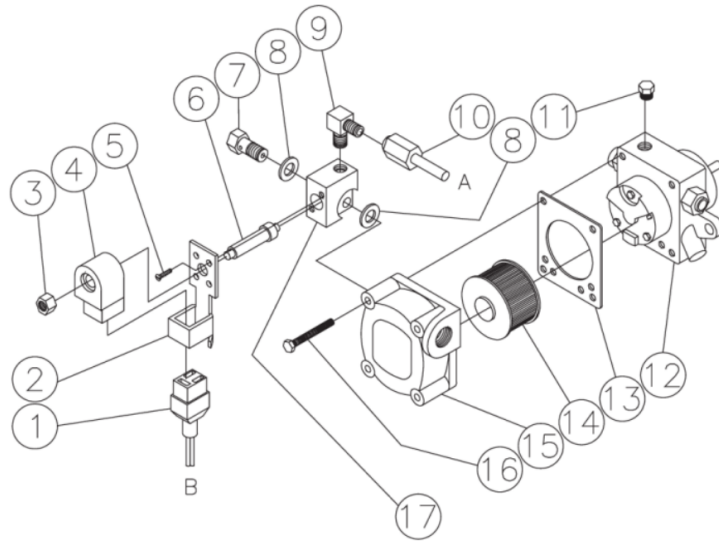
| Id | Item #  | Description                   | Quantity | Rev | Comments |
|----|---------|-------------------------------|----------|-----|----------|
| 1  | 44-0011 | BURNER HEAD                   | 1        |     |          |
| 2  | 44-0108 | MOUNTING GASKET               | 1        |     |          |
| 3  | 44-0109 | FLANGE                        | 1        |     |          |
| 4  | 26-0138 | GASKET                        | 1        |     |          |
| 5  | 44-0110 | AIR TUBE                      | 1        |     |          |
| 6  | 44-0113 | NOZZLE LINE ASSEMBLY (INC. 7) | 1        |     |          |
| 7  | 44-0114 | ELECTRODE KIT                 | 1        |     |          |
| 8  | 44-0033 | BURNER HOUSING                | 1        |     |          |
| 9  | 44-0031 | ESCUTCHEON PLATE              | 1        |     |          |
| 10 | 44-0026 | FUEL LINE                     | 1        |     |          |
| 11 | 3-0236  | FUEL PUMP                     | 1        |     |          |
| 12 | 46-1020 | FUEL SOLENOID                 | 1        |     |          |
| 13 | 44-0122 | CORD SET                      | 1        |     |          |
| 14 | 2-0068  | MOTOR (4-0017)                | 1        |     |          |
| 14 | 2-0067  | MOTOR (4-0018)                | 1        |     |          |
| 15 | 44-0071 | BLOWER WHEEL                  | 1        |     |          |
| 16 | 44-0014 | COUPLER                       | 1        |     |          |

| <b>Id</b> | <b>Item #</b> | <b>Description</b>              | <b>Quantity</b> | <b>Rev</b> | <b>Comments</b> |
|-----------|---------------|---------------------------------|-----------------|------------|-----------------|
| 17        | 44-0017       | IGNITION TRANSFORMER (4-0017)   | 1               |            |                 |
| 17        | 44-0015       | IGNITION TRANSFORMER (4-0018)   | 1               |            |                 |
|           | 4-0017        | COMPLETE BURNER (INCLUDES 1-17) |                 |            |                 |
|           | 4-0018        | COMPLETE BURNER (INCLUDES 1-17) |                 |            |                 |



HHS-3005-0E4G / HHS-3005-0E4G (sn:0-99999999)

## FUEL PUMP/SOLENOID



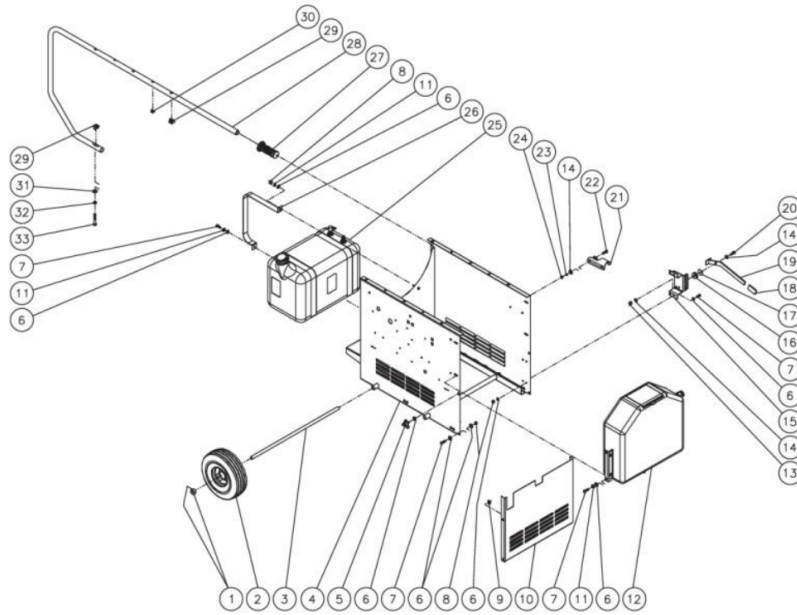
| Id | Item #   | Description              | Quantity | Rev | Comments |
|----|----------|--------------------------|----------|-----|----------|
| 1  | 46-1017  | CORD-DIN CONNECTOR       | 1        |     |          |
| 2  | N/A Sep. | BASE PLATE (SEE 44-0038) | 1        |     |          |
| 3  | 46-1016  | NUT-SOLENOID PISTON      | 1        |     |          |
| 4  | 44-0002  | SOLENOID COIL (120V)     | 1        |     |          |

| Id | Item #   | Description                        | Quantity | Rev | Comments |
|----|----------|------------------------------------|----------|-----|----------|
| 5  | N/A Sep. | SCREW (SEE 44-0038)                | 2        |     |          |
| 6  | 46-1012  | PISTON                             | 1        |     |          |
| 7  | 46-1009  | BOLT                               | 1        |     |          |
| 8  | 26-0150  | WASHER                             | 2        |     |          |
| 9  | 23-0083  | ELBOW                              | 1        |     |          |
| 10 | 44-0025  | FUEL LINE                          | 1        |     |          |
| 11 | 24-0082  | PLUG                               | 1        |     |          |
| 12 | N/A Sep. | FUEL PUMP BODY (SEE 3-0020)        | 1        |     |          |
| 13 | 26-0109  | COVER GASKET                       | 1        |     |          |
| 14 | 19-0034  | FUEL PUMP STRAINER                 | 1        |     |          |
| 15 | 46-1005  | FUEL PUMP COVER                    | 1        |     |          |
| 16 | 46-1006  | SCREW                              | 4        |     |          |
| 17 | N/A Sep. | SOLENOID BODY (SEE 44-0038)        | 1        |     |          |
|    | 44-0038  | FUEL SOLENOID- 120V (INC. 1-8, 17) | 1        |     |          |
|    | 3-0020   | FUEL PUMP (INC. 11-16)             | 1        |     |          |



HHS-3005-0E4G / HHS-3005-0E4G (sn:0-99999999)

## CHASSIS ASSEMBLY



| Id | Item #    | Description                  | Quantity | Rev | Comments |
|----|-----------|------------------------------|----------|-----|----------|
| 1  | 33-0351   | RETAINING COLLAR W/SET SCREW | 4        |     |          |
| 2  | 14-0017   | WHEEL W/MAG                  | 4        |     |          |
| 3  | 20-0524   | AXLE                         | 2        |     |          |
| 4  | 5-0157A18 | CHASSIS ASSEMBLY             | 1        |     |          |

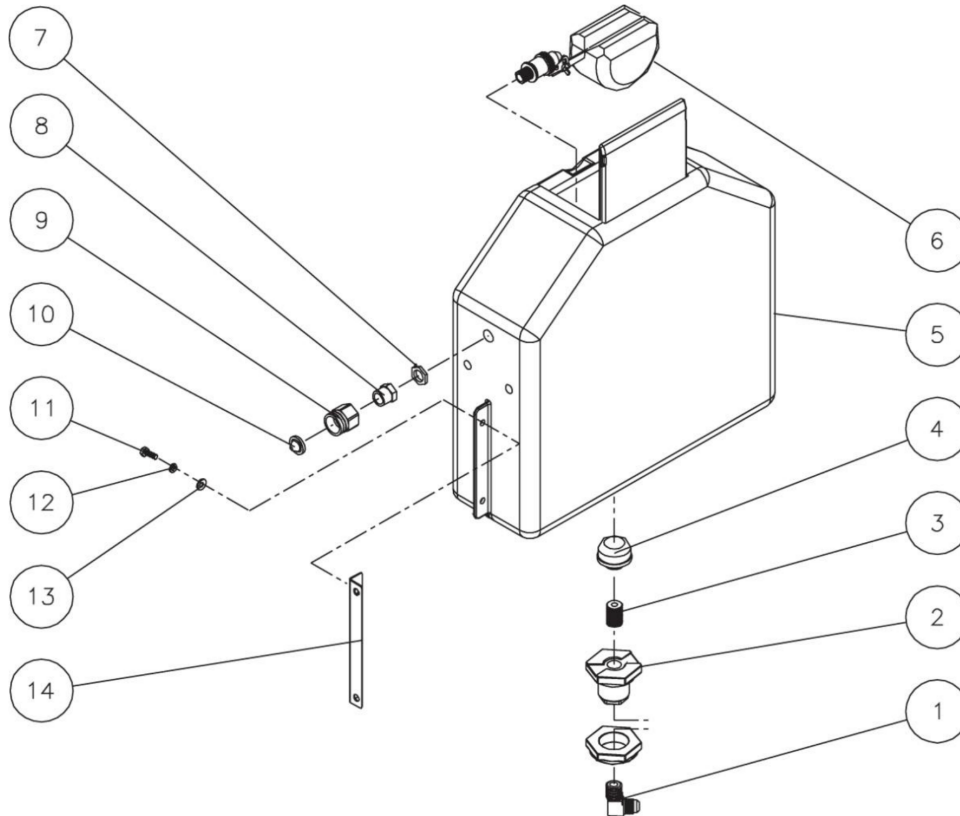
| <b>Id</b> | <b>Item #</b> | <b>Description</b>                         | <b>Quantity</b> | <b>Rev</b> | <b>Comments</b> |
|-----------|---------------|--|-----------------|------------|-----------------|
| 5         | 7-0168        | KNOB                                       | 2               |            |                 |
| 6         | 28-0002       | FLATWASHER                                 | 22              |            |                 |
| 7         | 27-0015       | BOLT                                       | 12              |            |                 |
| 8         | 30-0155       | HEX NUT                                    | 4               |            |                 |
| 9         | 30-6026       | CLIP NUT                                   | 2               |            |                 |
| 10        | 20-0525A18    | ACCESS DOOR                                | 1               |            |                 |
| 11        | 29-0006       | LOCKWASHER                                 | 8               |            |                 |
| 12        | N/A Sep.      | FLOAT TANK ASSEMBLY (SEE EXPLODED DRAWING) | 1               |            |                 |
| 13        | 30-0157       | NUT  | 1               |            |                 |
| 14        | 28-0003       | FLATWASHER                                 | 4               |            |                 |
| 15        | 20-0546A18    | BRAKE                                      | 1               |            |                 |
| 16        | 28-0057       | FLATWASHER                                 | 1               |            |                 |
| 17        | 33-0366       | GROMMET                                    | 1               |            |                 |
| 18        | 7-0170        | HANDLE GRIP                                | 1               |            |                 |
| 19        | 20-0552A18    | HANDLE BRAKE                               | 1               |            |                 |
| 20        | 27-0068       | BOLT                                       | 1               |            |                 |
| 21        | 20-0545A18    | WAND HOLDER                                | 1               |            |                 |
| 22        | 27-0418       | BOLT                                       | 2               |            |                 |
| 23        | 29-0007       | LOCKWASHER                                 | 2               |            |                 |
| 24        | 30-0005       | NUT  | 2               |            |                 |
| 25        | 850-0303      | FUEL TANK ASSEMBLY                         | 1               |            |                 |
| 26        | 20-0598A18    | FUEL TANK STRAP                            | 2               |            |                 |
| 27        | 7-0167        | HANDLE GRIP                                | 2               |            |                 |
| 28        | 7-0166A18     | HANDLE                                     | 2               |            |                 |
| 29        | 30-6025       | CLIP NUT                                   | 8               |            |                 |
| 30        | 30-6027       | CLIP NUT                                   | 4               |            |                 |
| 31        | 28-0023       | WASHER                                     | 2               |            |                 |
| 32        | 29-0008       | LOCKWASHER                                 | 2               |            |                 |
| 33        | 27-0121       | BOLT                                       | 2               |            |                 |

\*MUST ORDER IN ONE FOOT LENGTHS



HHS-3005-0E4G / HHS-3005-0E4G (sn:0-99999999)

## FLOAT TANK



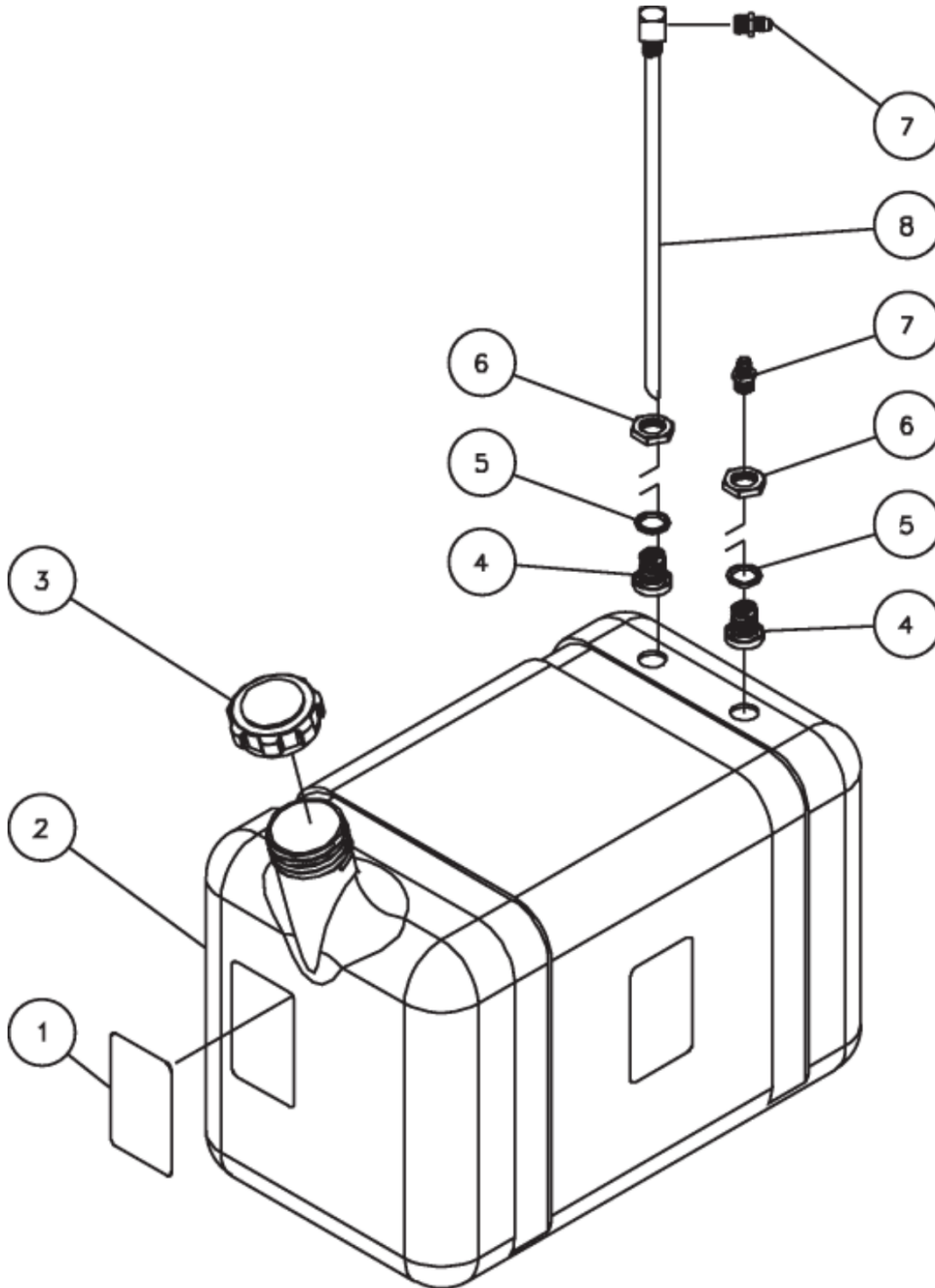
| Id | Item #   | Description                 | Quantity | Rev | Comments |
|----|----------|-----------------------------|----------|-----|----------|
| 1  | 23-0389  | ELBOW                       | 1        |     |          |
| 2  | 55-0886  | BULKHEAD                    | 1        |     |          |
| 3  | 23-0019  | CLOSE NIPPLE (HHS-2004)     | 1        |     |          |
| 3  | 23-0403  | CLOSE NIPPLE (HHS-1003)     | 1        |     |          |
| 3  | 23-0402  | CLOSE NIPPLE (HHS-1002/303) | 1        |     |          |
| 3  | 23-0392  | CLOSE NIPPLE (HHS-3004)     | 1        |     |          |
| 4  | 19-0203  | WATER TANK STRAINER         | 1        |     |          |
| 5  | 12-0124  | FLOAT TANK                  | 1        |     |          |
| 6  | 850-0238 | FLOAT VALVE ASSEMBLY        | 1        |     |          |
| 7  | 23-0138  | LOCKNUT                     | 1        |     |          |
| 8  | 23-0016  | BUSHING                     | 1        |     |          |
| 9  | 23-0001  | GARDEN HOSE ADAPTER         | 1        |     |          |

| <b>Id</b> | <b>Item #</b> | <b>Description</b>    | <b>Quantity</b> | <b>Rev</b> | <b>Comments</b> |
|-----------|---------------|-----------------------|-----------------|------------|-----------------|
| 10        | 19-0001       | INLET STRAINER GASKET | 1               |            |                 |
| 11        | 27-0015       | BOLT                  | 4               |            |                 |
| 12        | 29-0006       | LOCKWASHER            | 4               |            |                 |
| 13        | 28-0002       | FLATWASHER            | 4               |            |                 |
| 14        | 20-0599       | FLOAT TANK BRACKET    | 2               |            |                 |



HHS-3005-0E4G / HHS-3005-0E4G (sn:0-99999999)

## FUEL TANK ASSEMBLY



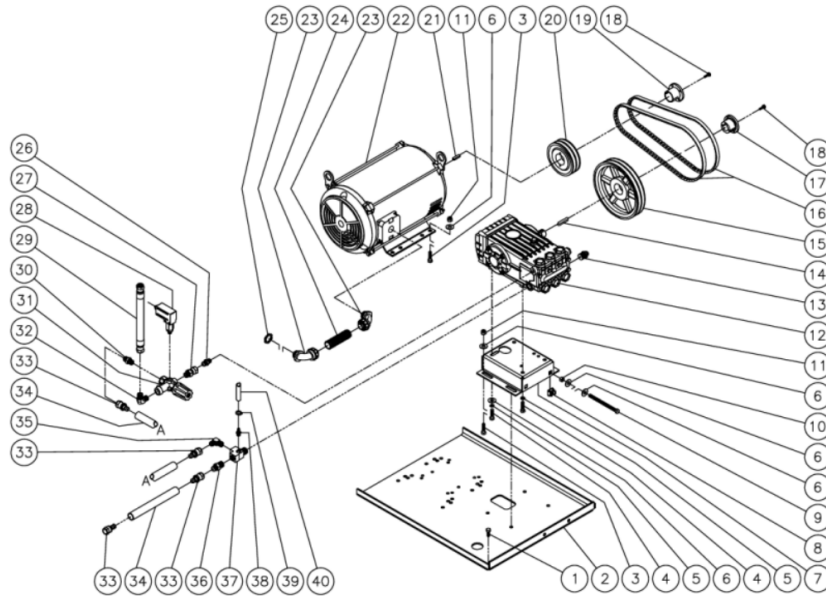
| Id | Item #  | Description                  | Quantity | Rev | Comments |
|----|---------|------------------------------|----------|-----|----------|
| 1  | 34-1034 | DECAL- CAUTION: RISK OF FIRE | 1        |     |          |
| 2  | 12-0126 | FUEL TANK                    | 1        |     |          |
| 3  | 12-0033 | VENTED FUEL CAP              | 1        |     |          |

| <b>Id</b> | <b>Item #</b> | <b>Description</b> | <b>Quantity</b> | <b>Rev</b> | <b>Comments</b> |
|-----------|---------------|--------------------|-----------------|------------|-----------------|
| 4         | 23-0408       | BULKHEAD FITTING   | 2               |            |                 |
| 5         | 25-0427       | O-RING             | 2               |            |                 |
| 6         | 23-0409       | NUT                | 2               |            |                 |
| 7         | 23-0247       | FLARE FITTING      | 2               |            |                 |
| 8         | 33-0352       | FUEL PICK-UP       | 1               |            |                 |



HHS-3005-0E4G / HHS-3005-0E4G (sn:0-99999999)

## MOTOR/PUMP ASSEMBLY



| Id | Item #    | Description | Quantity | Rev | Comments |
|----|-----------|-------------|----------|-----|----------|
| 1  | 27-0066   | BOLT        | 1        |     |          |
| 2  | 5-0152A18 | BASEPLATE   | 1        |     |          |
| 3  | 27-0118   | BOLT        | 8        |     |          |
| 4  | 27-8471   | BOLT        | 4        |     |          |

| Id | Item #      | Description                    | Quantity | Rev | Comments |
|----|-------------|--------------------------------|----------|-----|----------|
| 5  | 29-0055     | LOCKWASHER                     | 4        |     |          |
| 6  | 28-0023     | FLATWASHER                     | 13       |     |          |
| 7  | 5-01 53A1 8 | PUMP HAT                       | 1        |     |          |
| 8  | 30-6025     | CLIP NUT                       | 2        |     |          |
| 9  | 27-0133     | BOLT                           | 2        |     |          |
| 10 | 30-0006     | HEX NUT                        | 2        |     |          |
| 11 | 30-0159     | NUT                            | 8        |     |          |
| 12 | 3-0202      | PUMP W/KEY                     | 1        |     |          |
| 13 | 22-0005     | HEAT DUMP VALVE                | 1        |     |          |
| 14 | 43-0048     | KEY                            | 1        |     |          |
| 15 | 10-0007     | SHEAVE                         | 1        |     |          |
| 16 | 11-0008     | BELT (HHS-2004)                | 2        |     |          |
| 16 | 11-0007     | BELT (HHS-3004)                | 2        |     |          |
| 16 | 11-0005     | BELT (HHS-3005)                | 2        |     |          |
| 17 | 9-0017      | BUSHING                        | 1        |     |          |
| 18 | 27-0015     | BOLT W/BUSHING                 | 4        |     |          |
| 19 | 9-0010      | BUSHING (HHS-2004)             | 1        |     |          |
| 19 | 9-0008      | BUSHING (HHS-3004/3005)        | 1        |     |          |
| 20 | 10-0036     | SHEAVE (HHS-2004)              | 1        |     |          |
| 20 | 10-0065     | SHEAVE (HHS-3004)              | 1        |     |          |
| 20 | 10-0104     | SHEAVE (HHS-3005)              | 1        |     |          |
| 21 | 43-0078     | KEY                            | 1        |     |          |
| 22 | 2-0107      | MOTOR (HHS-2004-0E2G)          | 1        |     |          |
| 22 | 2-0108      | MOTOR (HHS-2004-0E3G/4G)       | 1        |     |          |
| 22 | 2-0109      | MOTOR (HHS-3004-0E2G)          | 1        |     |          |
| 22 | 2-0110      | MOTOR (HHS-3004-0E3G/4G)       | 1        |     |          |
| 22 | 2-0112      | MOTOR (HHS-3005-0E3G/4G)       | 1        |     |          |
| 22 | 2-0124      | MOTOR (HHS-2004-0E8G)          | 1        |     |          |
| 22 | 2-0125      | MOTOR (HHS-3004-0E8G)          | 1        |     |          |
| 22 | 2-0127      | MOTOR (HHS-2004-0E9G)          | 1        |     |          |
| 22 | 2-0129      | MOTOR (HHS-3004-0E9G)          | 1        |     |          |
| 22 | 2-0131      | MOTOR (HHS-3005-0E9G)          | 1        |     |          |
| 23 | 32-0487     | CONDUIT ELBOW                  | 2        |     |          |
| 24 | 32-0486     | CONDUIT *(THREE FEET REQUIRED) | 1        |     |          |
| 25 | 32-0292     | LOCKNUT                        | 1        |     |          |
| 26 | 24-0002     | NIPPLE                         | 1        |     |          |
| 27 | 24-0037     | SWIVEL                         | 1        |     |          |
| 28 | 22-0171     | PRESSURE SWITCH                | 1        |     |          |
| 29 | 15-0221     | HIGH PRESSURE HOSE ASSEMBLY    | 1        |     |          |

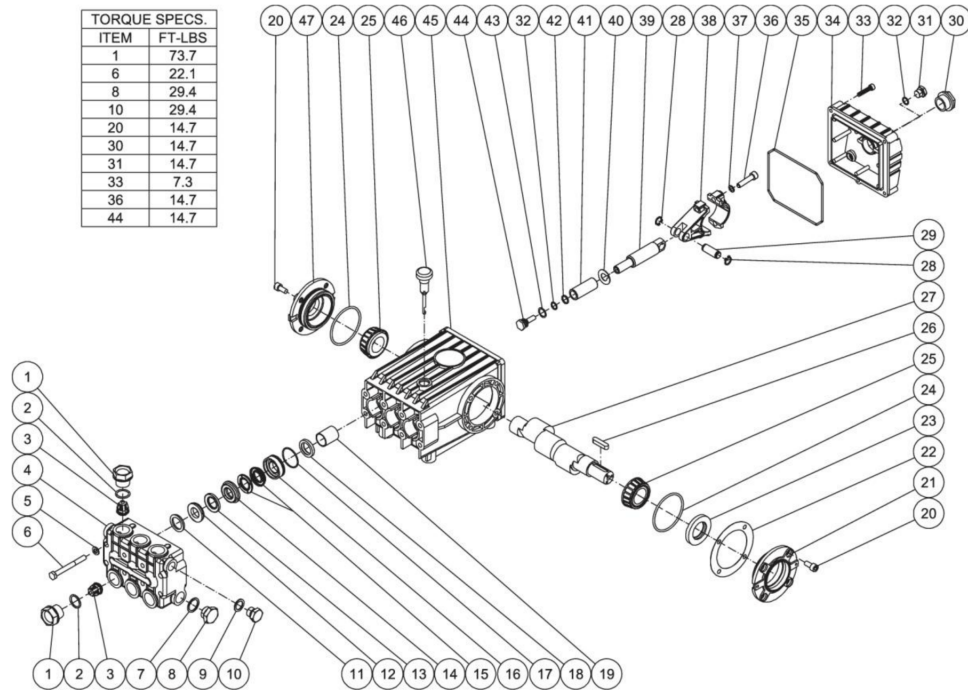
| Id | Item #   | Description                           | Quantity | Rev | Comments |
|----|----------|---------------------------------------|----------|-----|----------|
| 30 | 23-0370  | NIPPLE                                | 1        |     |          |
| 31 | 850-0252 | UNLOADER ASSEMBLY                     | 1        |     |          |
| 32 | 24-0092  | ELBOW                                 | 1        |     |          |
| 33 | 23-0360  | HOSE BARB                             | 4        |     |          |
| 34 | 15-0200  | HOSE *(THREE FEET REQUIRED)           | 1        |     |          |
| 35 | 23-0389  | ELBOW                                 | 1        |     |          |
| 36 | 23-0361  | NIPPLE                                | 1        |     |          |
| 37 | 23-0388  | STREET TEE                            | 1        |     |          |
| 38 | 23-0051  | HOSE BARB                             | 1        |     |          |
| 39 | 42-0004  | CLAMP                                 | 1        |     |          |
| 40 | 15-0021  | DETERGENT HOSE *(THREE FEET REQUIRED) | 1        |     |          |

\*MUST ORDER IN ONE FOOT LENGTHS.



HHS-3005-0E4G / HHS-3005-0E4G (sn:0-99999999)

## PUMP ASSEMBLY



| Id | Item #  | Description  | Quantity | Rev | Comments |
|----|---------|--|----------|-----|----------|
| 1  | 46-0889 | VALVE CAP  | 6        |     |          |
| 2  | 25-0012 | O-RING   | 6        |     |          |
| 3  | SEE KIT | VALVE (SEE KIT 70-0009)                                    | 6        |     |          |
| 4  | 46-0890 | MANIFOLD   | 1        |     |          |
| 5  | 28-1039 | WASHER   | 8        |     |          |
| 6  | 27-8185 | BOLT   | 8        |     |          |
| 7  | 28-1038 | WASHER   | 2        |     |          |
| 8  | 39-0019 | PLUG   | 2        |     |          |
| 9  | 28-1002 | WASHER   | 2        |     |          |
| 10 | 39-0018 | PLUG   | 2        |     |          |
| 11 | SEE KIT | HEAD RING (SEE KIT 70-0030 AND 852-0122)                   | 3        |     |          |
| 12 | SEE KIT | V-PACKING SUPPORT (SEE KIT 70-0147 AND 852-0122)           | 3        |     |          |
| 13 | SEE KIT | O-RING (SEE KIT 70-0147 AND 70-0148 AND 852-0122)          | 3        |     |          |
| 14 | SEE KIT | HIGH PRESSURE INTERMEDIATE SEAL RETAINER (SEE KIT 70-0148) | 3        |     |          |
| 15 | SEE KIT | PRESSURE SEAL (SEE KIT 70-0147 AND 852-0122)               | 3        |     |          |

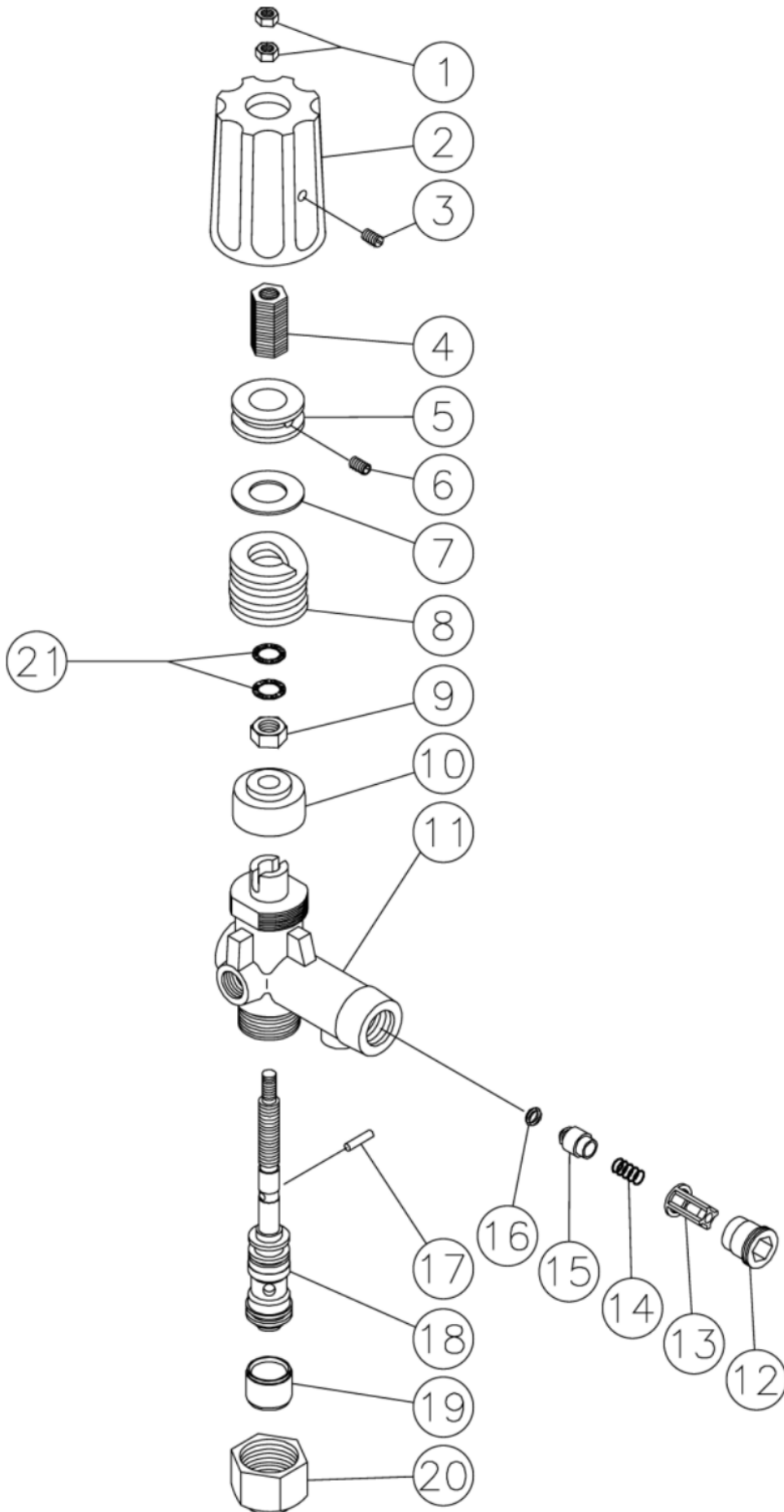
| <b>Id</b> | <b>Item #</b> | <b>Description</b>                         | <b>Quantity</b> | <b>Rev</b> | <b>Comments</b> |
|-----------|---------------|--|-----------------|------------|-----------------|
| 16        | 46-0057       | LOW PRESSURE SEAL RETAINER                 | 3               |            |                 |
| 17        | SEE KIT       | O-RING (SEE KIT 852-0122)                  | 3               |            |                 |
| 18        | 26-0047       | OIL SEAL                                   | 3               |            |                 |
| 19        | 9-0029        | BUSHING                                    | 3               |            |                 |
| 20        | 27-8431       | BOLT                                       | 8               |            |                 |
| 21        | 46-0296       | CRANKCASE COVER                            | 1               |            |                 |
| 22        | 46-0113       | SHIM                                       | 1               |            |                 |
| 23        | 26-0049       | OIL SEAL                                   | 1               |            |                 |
| 24        | 25-0013       | O-RING                                     | 2               |            |                 |
| 25        | 48-0012       | BEARING                                    | 2               |            |                 |
| 26        | 43-0048       | KEY  | 1               |            |                 |
| 27        | N/A           | CRANKSHAFT                                 | 1               |            |                 |
| 28        | 46-0103       | RETAINING RING                             | 6               |            |                 |
| 29        | 43-0032       | CONNECTING ROD PIN                         | 3               |            |                 |
| 30        | 46-0114       | OIL LEVEL INDICATOR                        | 1               |            |                 |
| 31        | 39-0017       | PLUG                                       | 1               |            |                 |
| 32        | 25-0014       | O-RING                                     | 4               |            |                 |
| 33        | 27-8404       | BOLT                                       | 5               |            |                 |
| 34        | 46-0295       | CRANKCASE OPEN COVER                       | 1               |            |                 |
| 35        | 25-0339       | O-RING                                     | 1               |            |                 |
| 36        | 27-8435       | BOLT                                       | 6               |            |                 |
| 37        | 29-0154       | LOCKWASHER                                 | 6               |            |                 |
| 38        | 46-0051       | CONNECTING ROD                             | 3               |            |                 |
| 39        | 46-0056       | PISTON ROD                                 | 3               |            |                 |
| 40        | 46-0146       | SLINGER WASHER                             | 3               |            |                 |
| 41        | 46-0052       | PLUNGER                                    | 3               |            |                 |
| 42        | 46-0109       | BACK-UP RING                               | 3               |            |                 |
| 43        | 28-0400       | WASHER                                     | 3               |            |                 |
| 44        | 46-0069       | NUT / PISTON                               | 3               |            |                 |
| 45        | 46-0047       | CRANKCASE                                  | 1               |            |                 |
| 46        | 46-0144       | OIL DIP STICK                              | 1               |            |                 |
| 47        | 46-0336       | CRANKCASE COVER                            | 1               |            |                 |
| KIT       | 70-0009       | VALVES (INC. 6 EACH 3)                     |                 |            |                 |
| KIT       | 70-0030       | HEAD RING (INC. 3 EACH 11)                 |                 |            |                 |
| KIT       | 70-0147       | V-PACKING (INC. 3 EACH 12, 13, 15)         |                 |            |                 |
| KIT       | 70-0148       | INTERMEDIATE RETAINER (INC. 3 EACH 13, 14) |                 |            |                 |
| KIT       | 852-0122      | V-PACKING ASSY (INC. 3 EACH 11-13, 15, 17) |                 |            |                 |





HHS-3005-0E4G / HHS-3005-0E4G (sn:0-99999999)

# UNLOADER ASSEMBLY

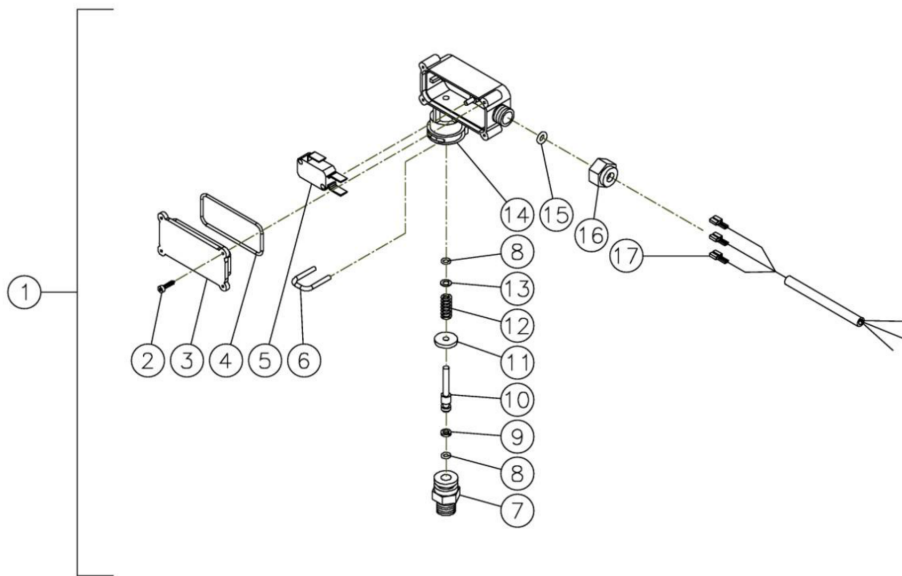


| <b>Id</b> | <b>Item #</b> | <b>Description</b>                      | <b>Quantity</b> | <b>Rev</b> | <b>Comments</b> |
|-----------|---------------|---|-----------------|------------|-----------------|
| 1         | 8-0362        | HEX NUT                                 | 2               |            |                 |
| 2         | 7-0098        | COVER                                   | 1               |            |                 |
| 3         | 27-4280       | SET SCREW                               | 1               |            |                 |
| 4         | 8-0363        | ADJUSTING INSERT- BRASS                 | 1               |            |                 |
| 5         | 8-0364        | ADJUSTMENT NUT                          | 1               |            |                 |
| 6         | 8-0365        | SET SCREW                               | 1               |            |                 |
| 7         | 8-0366        | GLIDE RING                              | 1               |            |                 |
| 8         | 49-0104       | SPRING                                  | 1               |            |                 |
| 9         | 8-0367        | HEX NUT                                 | 1               |            |                 |
| 10        | 8-0368        | BUSHING                                 | 1               |            |                 |
| 11        | 8-0369        | UNLOADER BODY                           | 1               |            |                 |
| 12        | 8-0269        | RETAINER                                | 1               |            |                 |
| 13        | 8-0104        | VALVE HOUSING                           | 1               |            |                 |
| 14        | 49-0023       | SPRING                                  | 1               |            |                 |
| 15        | 8-0105        | VALVE                                   | 1               |            |                 |
| 16        | 25-0036       | O-RING                                  | 1               |            |                 |
| 17        | 8-0372        | CYLINDER PIN                            | 1               |            |                 |
| 18        | 70-0243       | PISTON REPAIR KIT                       | 1               |            |                 |
| 19        | 8-0371        | SPACER                                  | 1               |            |                 |
| 20        | 8-0157        | STOP NUT                                | 1               |            |                 |
| 21        | 29-0154       | WASHER                                  | 2               |            |                 |
|           | 70-0244       | CHECK VALVE REPAIR KIT (INCLUDES 13-16) |                 |            |                 |



HHS-3005-0E4G / HHS-3005-0E4G (sn:0-99999999)

## PRESSURE SWITCH



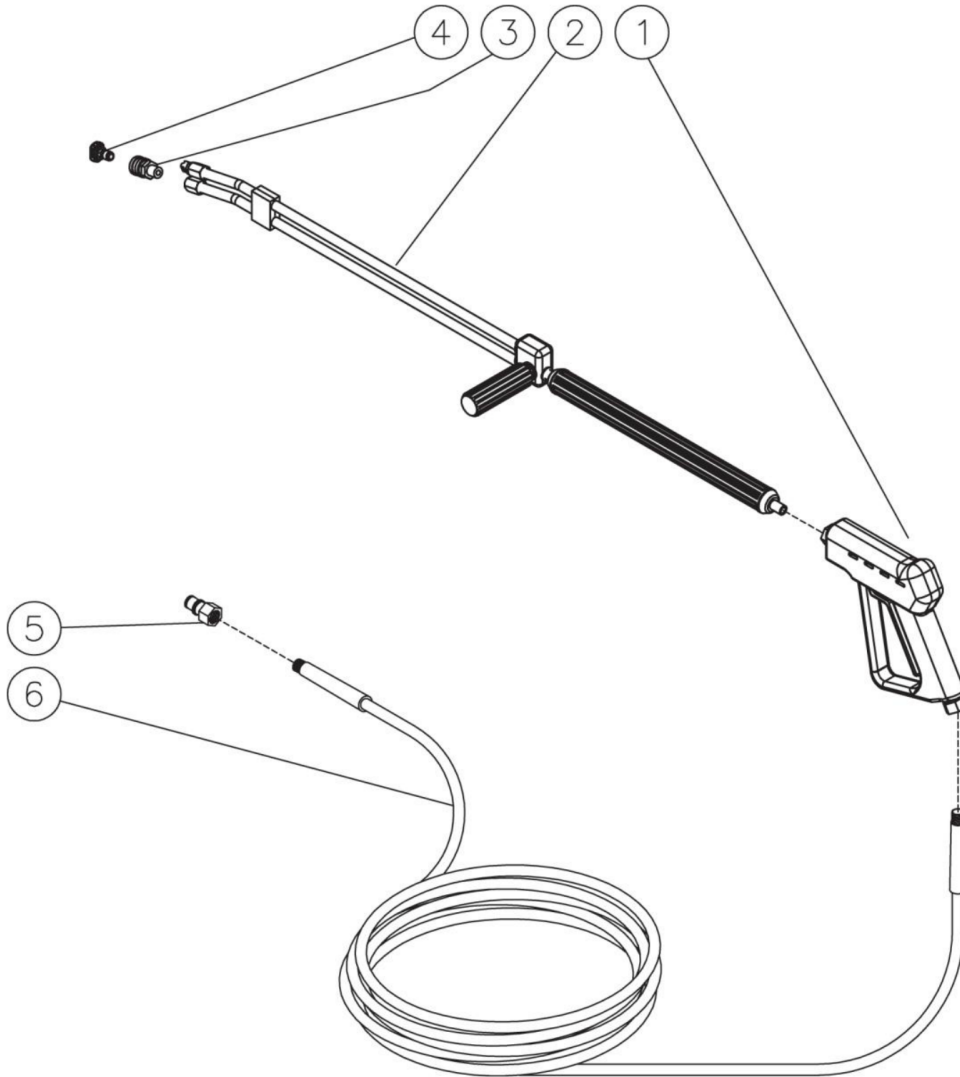
| Id | Item #   | Description                | Quantity | Rev | Comments |
|----|----------|----------------------------|----------|-----|----------|
| 1  | 22-0171  | PRESSURE SWITCH            | 1        |     |          |
| 2  | N/A      | SCREW                      | 4        |     |          |
| 3  | N/A      | COVER                      | 1        |     |          |
| 4  | N/A Sep. | O-RING (SEE 70-0306)       | 1        |     |          |
| 5  | N/A      | MICRO SWITCH               | 1        |     |          |
| 6  | N/A      | RETAINER CLIP              | 1        |     |          |
| 7  | N/A      | BODY                       | 1        |     |          |
| 8  | N/A Sep. | O-RING (SEE 70-0306)       | 2        |     |          |
| 9  | N/A Sep. | BACK-UP RING (SEE 70-0306) | 1        |     |          |
| 10 | N/A      | PISTON                     | 1        |     |          |
| 11 | N/A      | WASHER                     | 1        |     |          |
| 12 | 49-0144  | SPRING                     | 1        |     |          |
| 13 | N/A      | WASHER                     | 1        |     |          |
| 14 | N/A      | PLASTIC HOUSING            | 1        |     |          |
| 15 | N/A Sep. | O-RING (SEE 70-0306)       | 1        |     |          |
| 16 | N/A      | NUT                        | 1        |     |          |

| <b>Id</b> | <b>Item #</b> | <b>Description</b>                  | <b>Quantity</b> | <b>Rev</b> | <b>Comments</b> |
|-----------|---------------|-------------------------------------|-----------------|------------|-----------------|
| 17        | N/A           | WIRE ASSEMBLY                       | 1               |            |                 |
|           | 70-0306       | O-RING REPAIR KIT (INC. 4, 8-9, 15) |                 |            |                 |



HHS-3005-0E4G / HHS-3005-0E4G (sn:0-99999999)

## GUN/WAND/HOSE ASSEMBLY



| Id | Item #    | Description | Quantity | Rev | Comments |
|----|-----------|-------------|----------|-----|----------|
| 1  | 27-0066   | BOLT        | 1        |     |          |
| 2  | 5-0152A18 | BASEPLATE   | 1        |     |          |
| 3  | 27-0118   | BOLT        | 4        |     |          |
| 4  | 27-8471   | BOLT        | 4        |     |          |
| 5  | 29-0055   | LOCKWASHER  | 4        |     |          |
| 6  | 28-0023   | FLATWASHER  | 9        |     |          |
| 7  | 5-0153A18 | PUMP HAT    | 1        |     |          |

| Id | Item #   | Description                           | Quantity | Rev | Comments |
|----|----------|---------------------------------------|----------|-----|----------|
| 8  | 30-6025  | CLIP NUT                              | 2        |     |          |
| 9  | 27-0133  | BOLT                                  | 2        |     |          |
| 10 | 30-0006  | HEX NUT                               | 2        |     |          |
| 11 | 30-0159  | NUT                                   | 4        |     |          |
| 12 | 3-0005   | PUMP W/KEY                            | 1        |     |          |
| 13 | 22-0005  | HEAT DUMP VALVE                       | 1        |     |          |
| 14 | 43-0048  | KEY                                   | 1        |     |          |
| 15 | 10-0066  | SHEAVE                                | 1        |     |          |
| 16 | 11-0023  | BELT                                  | 1        |     |          |
| 17 | 9-0017   | BUSHING                               | 1        |     |          |
| 18 | 27-0015  | BOLT W/BUSHING                        | 2        |     |          |
| 19 | 10-0111  | SHEAVE                                | 1        |     |          |
| 20 | 27-0067  | BOLT                                  | 4        |     |          |
| 21 | 28-0003  | FLATWASHER                            | 4        |     |          |
| 22 | 30-0157  | NYLOCK                                | 4        |     |          |
| 23 | 43-0078  | KEY                                   | 1        |     |          |
| 24 | 2-0120   | MOTOR ASSEMBLY                        | 1        |     |          |
| 25 | 32-0254  | CONDUIT ELBOW                         | 2        |     |          |
| 26 | 32-0253  | CONDUIT FLEX *(THREE FEET REQUIRED)`  | 2        |     |          |
| 27 | 28-0051  | FLATWASHER                            | 2        |     |          |
| 28 | 32-0108  | LOCKNUT                               | 1        |     |          |
| 29 | 24-0002  | NIPPLE                                | 1        |     |          |
| 30 | 24-0037  | SWIVEL                                | 1        |     |          |
| 31 | 22-0171  | PRESSURE SWITCH                       | 1        |     |          |
| 32 | 15-0221  | HIGH PRESSURE HOSE ASSEMBLY           | 1        |     |          |
| 33 | 23-0370  | NIPPLE                                | 1        |     |          |
| 34 | 850-0252 | UNLOADER ASSEMBLY                     | 1        |     |          |
| 35 | 24-0092  | ELBOW                                 | 1        |     |          |
| 36 | 23-0360  | HOSE BARB                             | 4        |     |          |
| 37 | 15-0200  | HOSE *(THREE FEET REQUIRED)           | 1        |     |          |
| 38 | 23-0389  | ELBOW                                 | 1        |     |          |
| 39 | 23-0361  | NIPPLE                                | 1        |     |          |
| 40 | 23-0388  | STREET TEE                            | 1        |     |          |
| 41 | 23-0051  | HOSE BARB                             | 1        |     |          |
| 42 | 42-0004  | CLAMP                                 | 1        |     |          |
| 43 | 15-0021  | DETERGENT HOSE *(THREE FEET REQUIRED) | 1        |     |          |

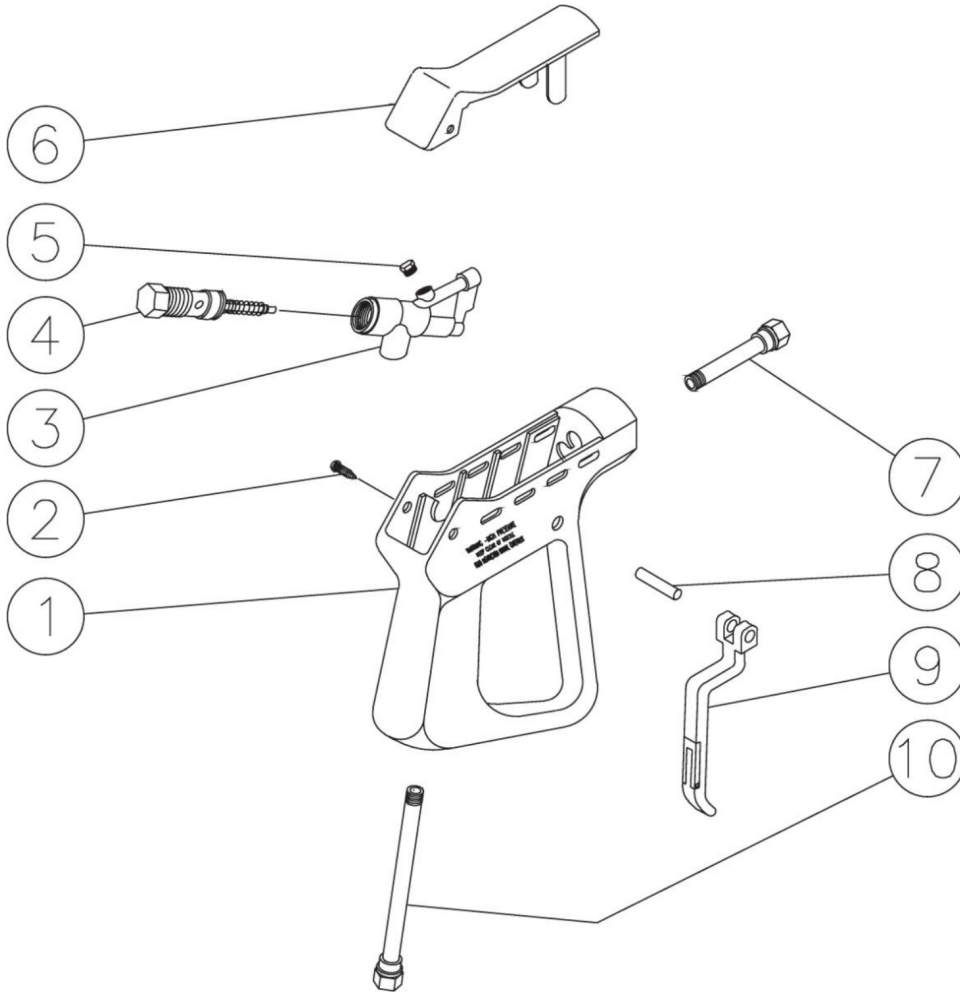
\*MUST ORDER IN ONE FOOT LENGTHS.





HHS-3005-0E4G / HHS-3005-0E4G (sn:0-99999999)

## GUN ASSEMBLY



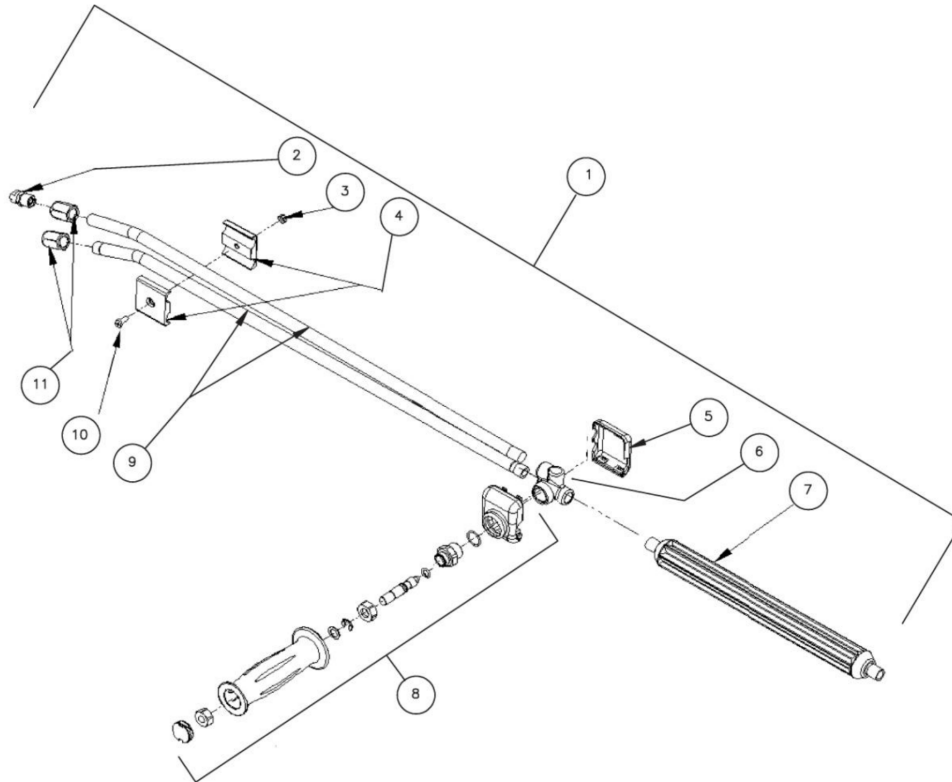
| Id | Item #  | Description             | Quantity | Rev | Comments |
|----|---------|-------------------------|----------|-----|----------|
| 1  | 16-0008 | PLASTIC HOUSING         | 1        |     |          |
| 2  | 27-3230 | SCREW                   | 2        |     |          |
| 3  | 16-0012 | BRASS HOUSING           | 1        |     |          |
| 4  | 70-0055 | GUN REPAIR KIT          | 1        |     |          |
| 5  | 39-0024 | BRASS PLUG              | 1        |     |          |
| 6  | 16-0009 | PLASTIC COVER           | 1        |     |          |
| 7  | 16-0013 | PIPE ASSEMBLY           | 1        |     |          |
| 8  | 16-0063 | TRIGGER PIN             | 1        |     |          |
| 9  | 16-0010 | TRIGGER/SAFETY LOCK-OFF | 1        |     |          |

| <b>Id</b> | <b>Item #</b> | <b>Description</b>    | <b>Quantity</b> | <b>Rev</b> | <b>Comments</b> |
|-----------|---------------|-----------------------|-----------------|------------|-----------------|
| 10        | 16-0016       | PIPE ASSEMBLY- INLET  | 1               |            |                 |
|           | 16-0001       | COMPLETE GUN ASSEMBLY | 1               |            |                 |



HHS-3005-0E4G / HHS-3005-0E4G (sn:0-99999999)

## DUAL LANCE ASSEMBLY



| Id | Item #   | Description                                | Quantity | Rev | Comments |
|----|----------|--|----------|-----|----------|
| 1  | 16-0416  | DUAL LANCE ASSEMBLY - 36" (INC. 2-11)      | 1        |     |          |
| 1  | 16-0417  | DUAL LANCE ASSEMBLY - 48" (INC. 2-11)      | 1        |     |          |
| 2  | 18-0110  | DETERGENT NOZZLE                           | 1        |     |          |
| 3  | 30-6001  | NUT  | 1        |     |          |
| 4  | 16-0420  | CLAMP                                      | 2        |     |          |
| 5  | N/A Sep. | LOWER VALVE COVER (SEE 16-0416 OR 16-0417) | 1        |     |          |
| 6  | N/A Sep. | HOUSING (SEE 16-0416 OR 16-0417)           | 1        |     |          |
| 7  | 16-0419  | LANCE                                      | 1        |     |          |
| 8  | 70-0419  | HANDLE REPAIR KIT                          | 1        |     |          |
| 9  | N/A Sep. | LANCE (SEE 16-0416)                        | 2        |     |          |
| 9  | N/A Sep. | LANCE (SEE 16-0417)                        | 2        |     |          |
| 10 | 27-8196  | SCREW                                      | 1        |     |          |

| Id | Item #  | Description    | Quantity | Rev | Comments |
|----|---------|----------------|----------|-----|----------|
| 11 | 24-0280 | NOZZLE ADAPTER | 2        |     |          |