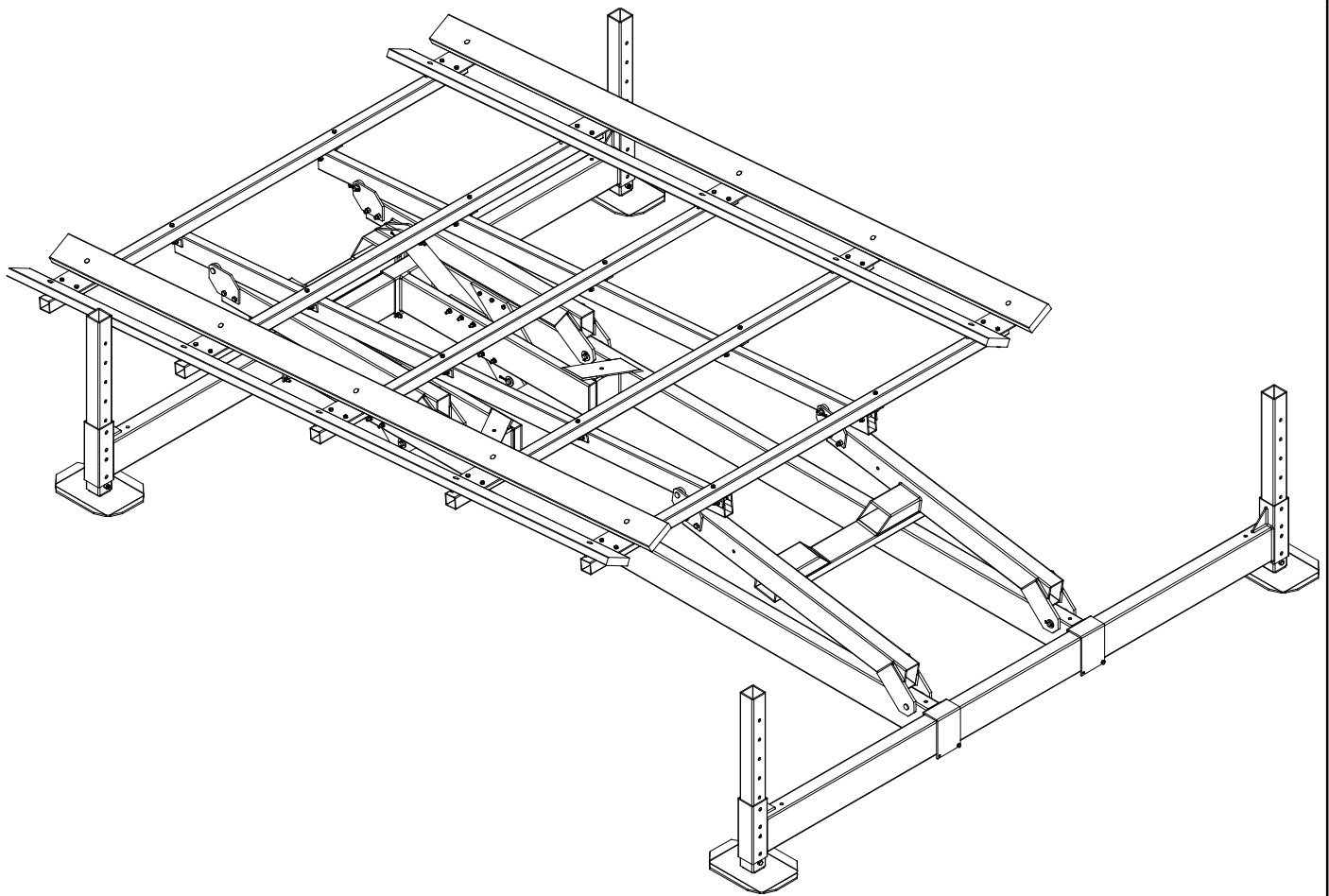




HL5-7K PONTON LIFT INSTRUCTIONS



REIMANN & GEORGER CORPORATION
MARINE PRODUCTS
P/N 6114178

BUFFALO, NY
4/30/14

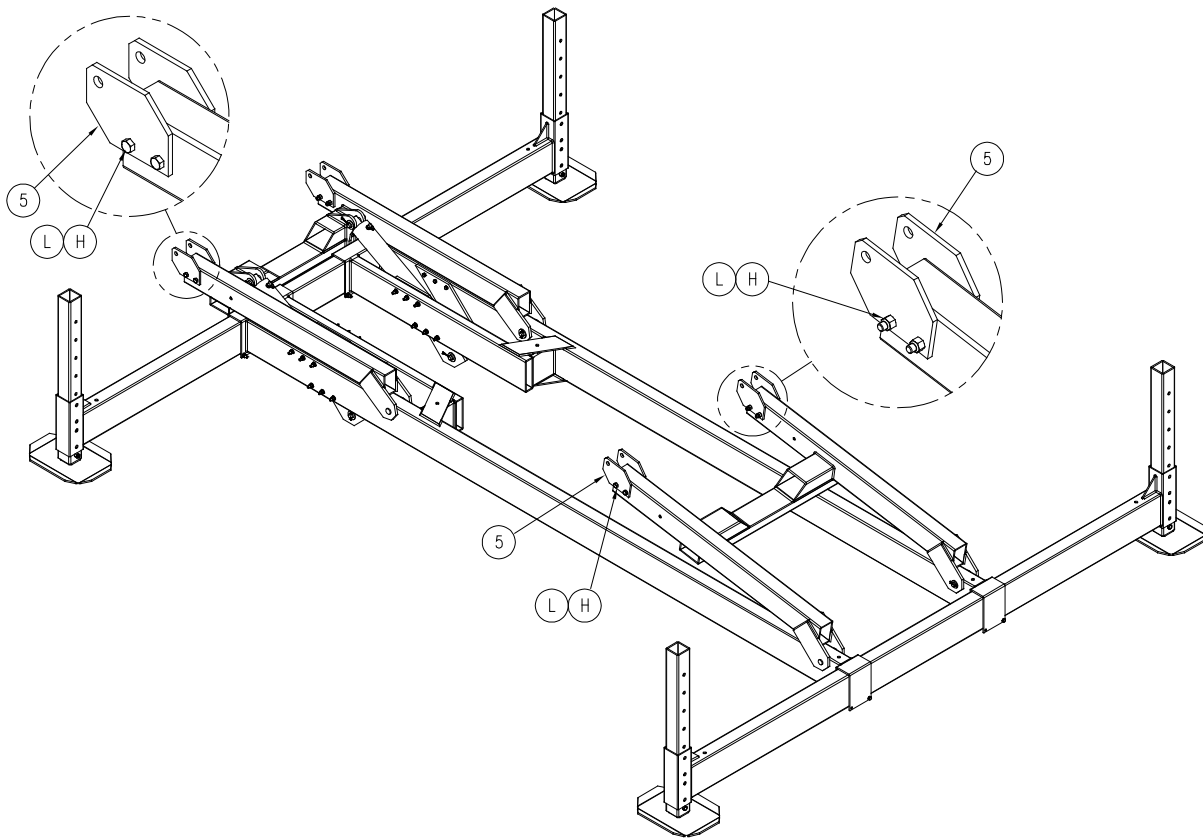


Figure 2-3A.
HL-5-7K (48" Lift) Mount Liftarm Pivot Plates.

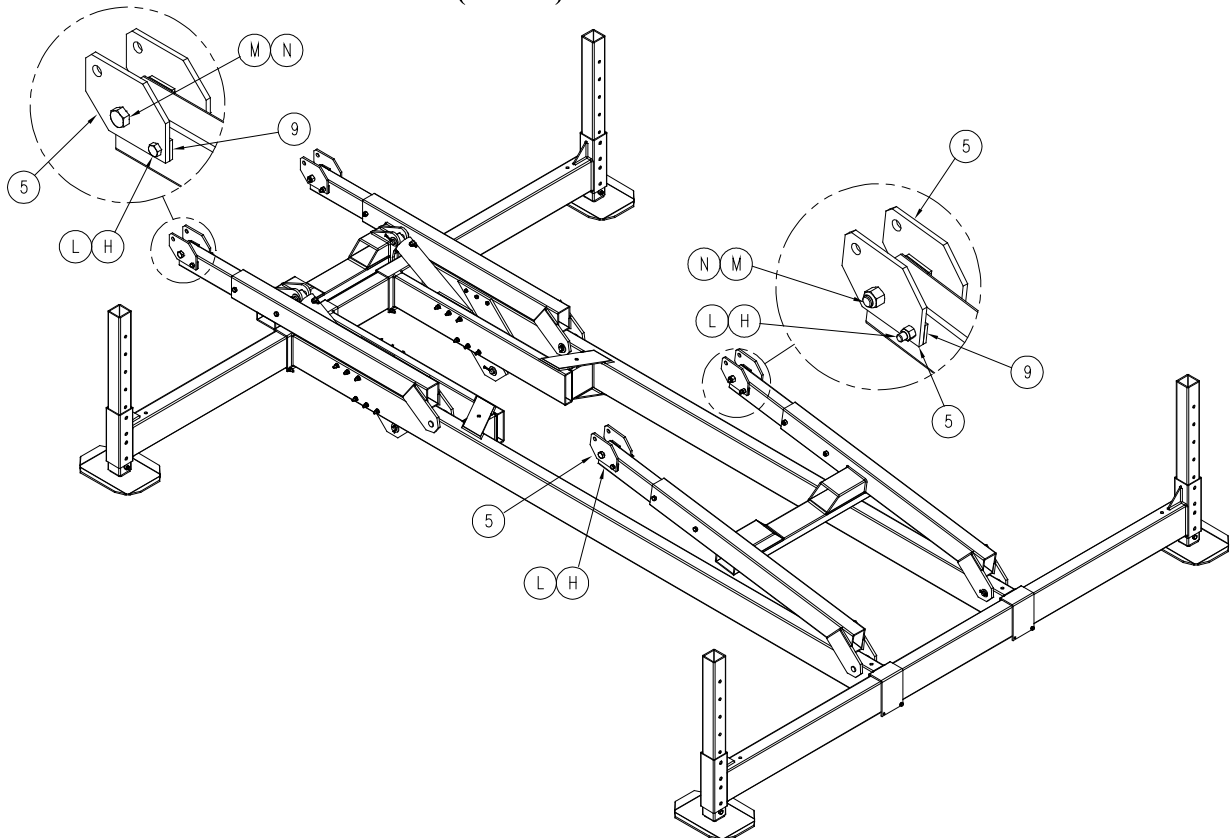


Figure 2-3B.
HL-5-7K (60" Lift) Mount Liftarm Pivot Plates.

2.4 HL5-7K PONTOON SUPPORT TUBE MOUNTING

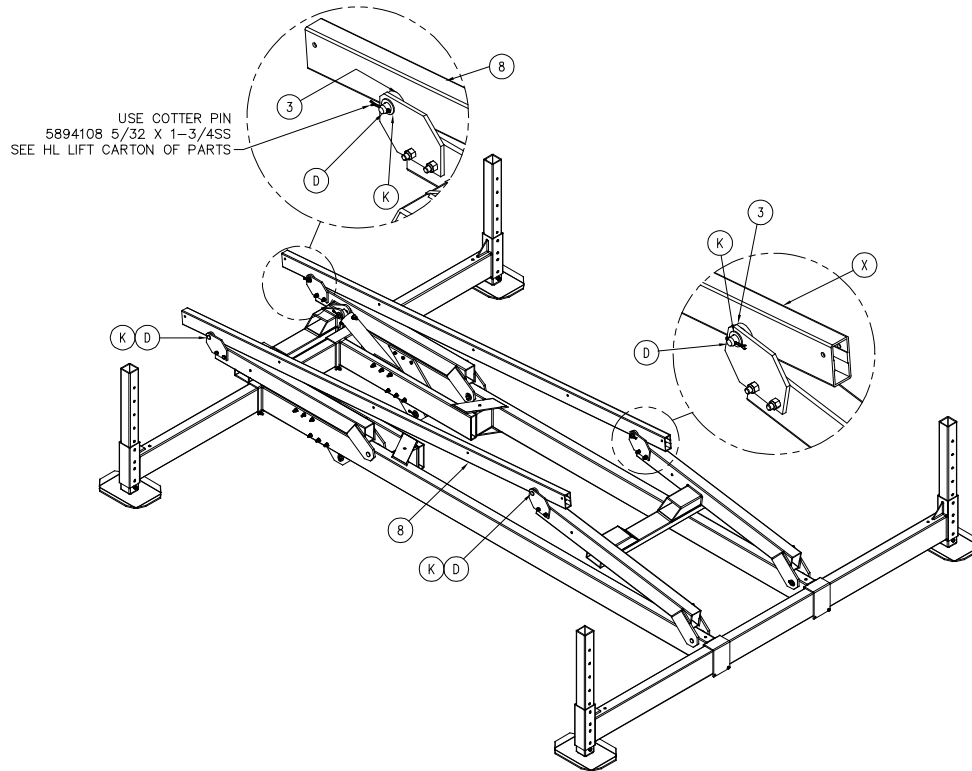


Figure 2-4A.
HL5-7K (48" LIFT) Main Support Tube Mounting

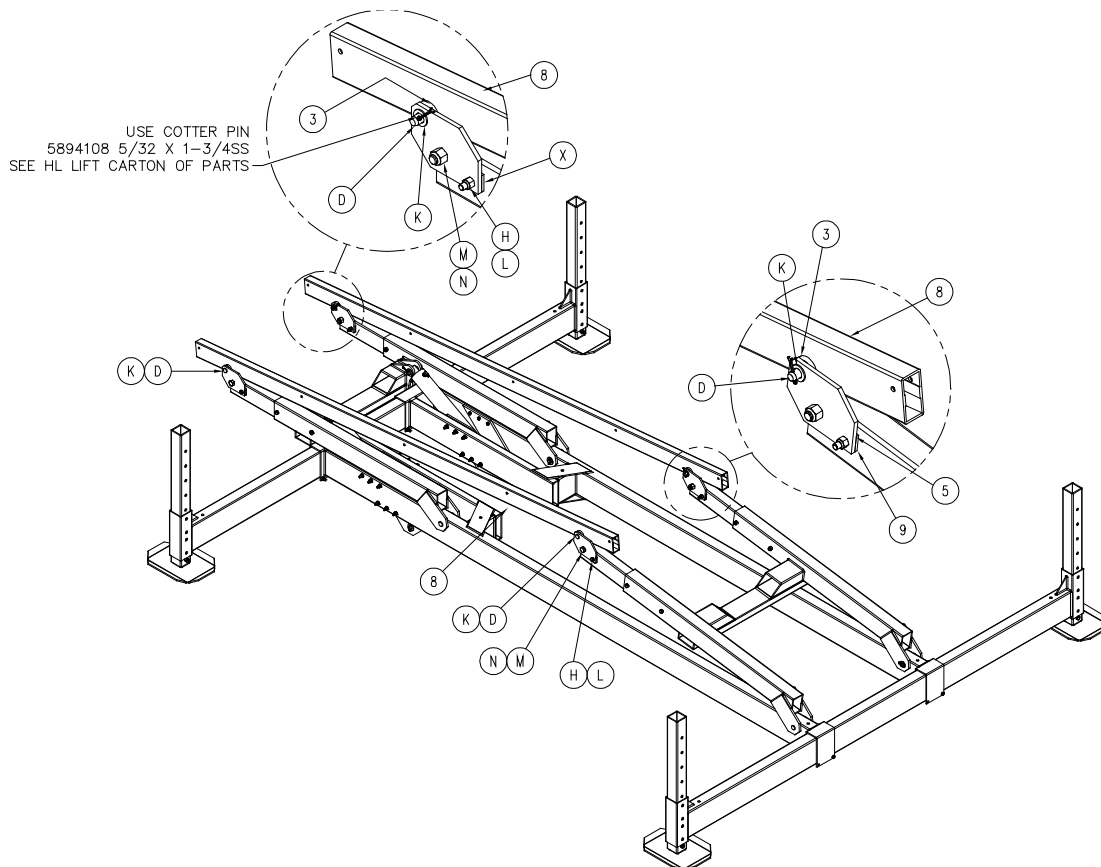


Figure 2-4B.
HL5-7K (60" LIFT) Main Support Tube Mounting

2.5 HL5-7K PONTOON CROSS TUBE SUPPORTS

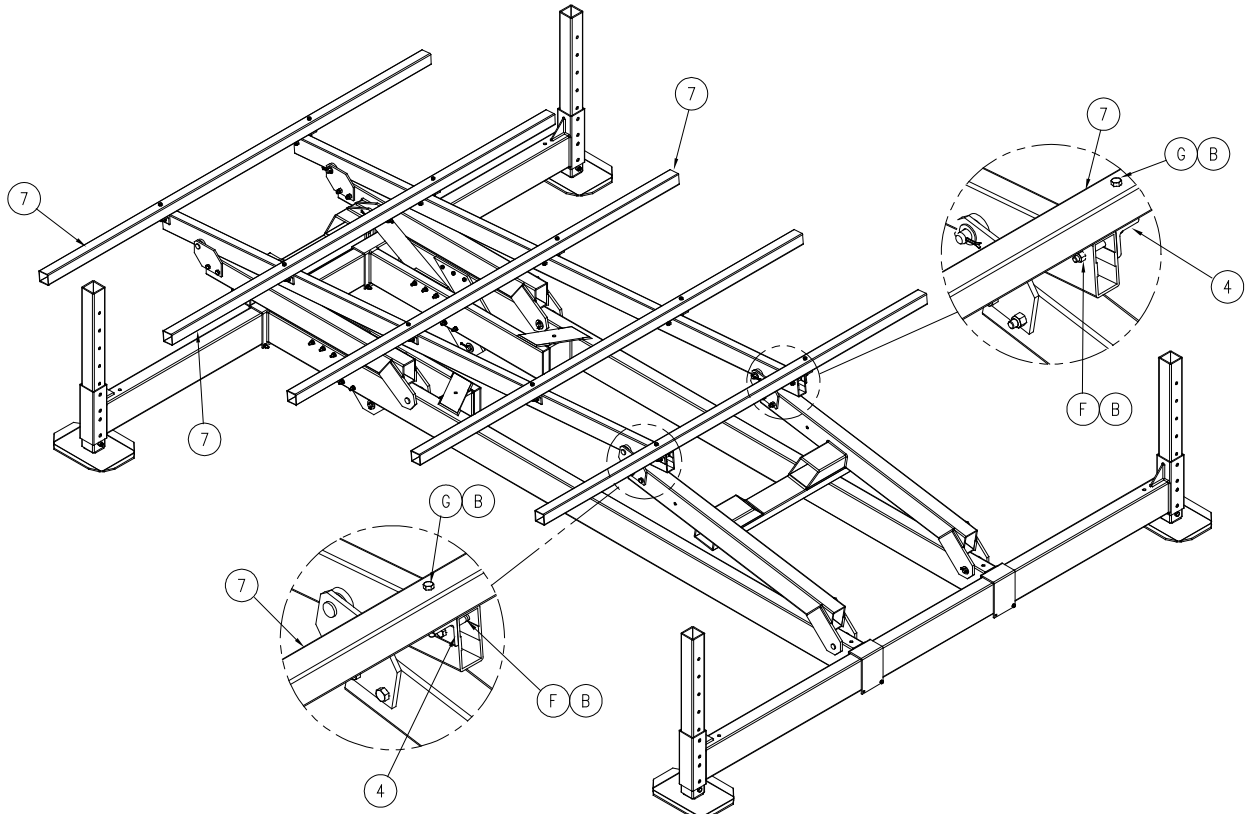


Figure 2-5A.
HL5-7K (48" Lift) Pontoon Cross Support Tubes

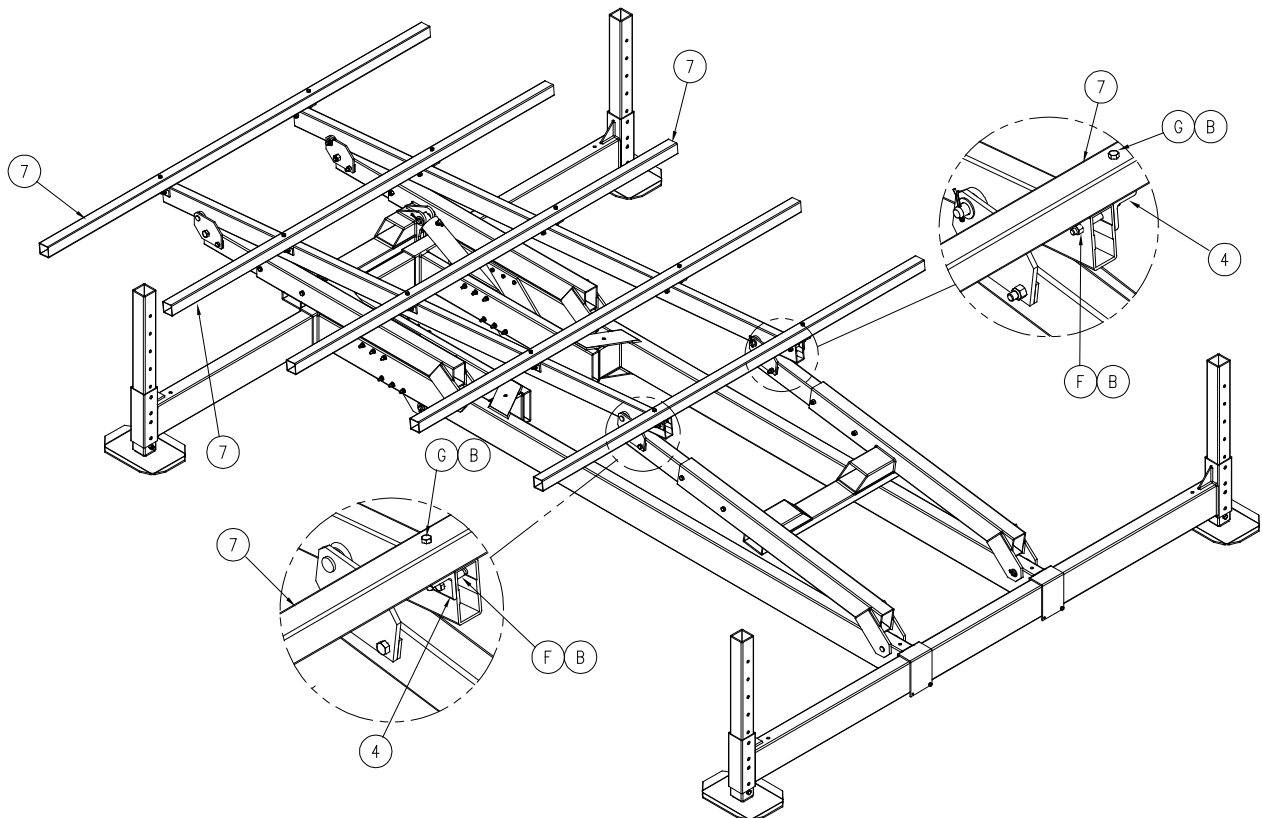


Figure 2-5B.
HL5-7K (60" Lift) Pontoon Cross Support Tubes

2.6 HL5-7K (48" & 60" Lift) PONTOON WOOD BUNK SUPPORT CRADLES

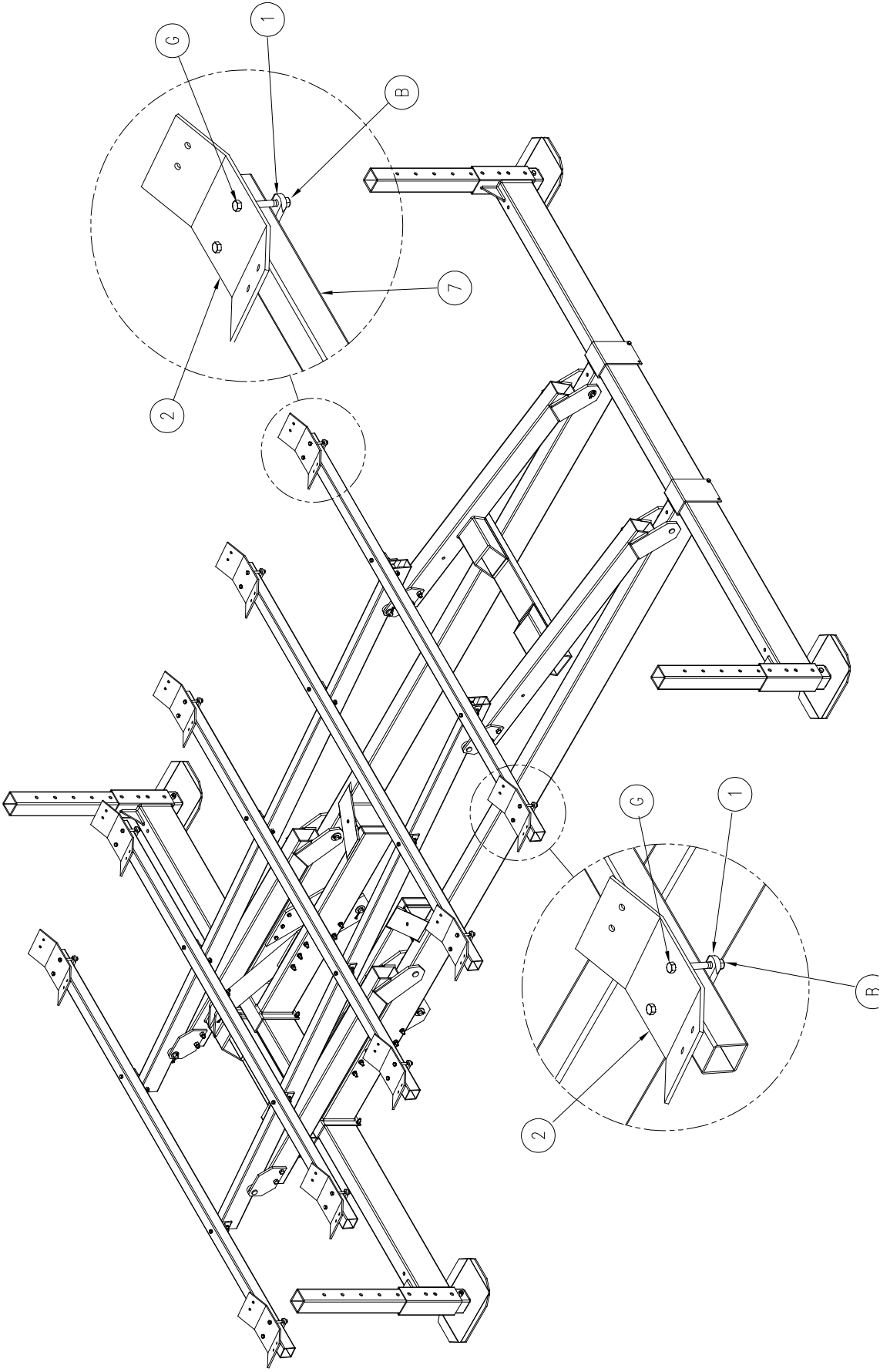


Figure 2-6.
HL5-7K (48" & 60" Lift) Pontoon Bunk Support Cradles

2.7 HL5-7K (48" & 60" Lift) PONTOON WOOD BUNKS

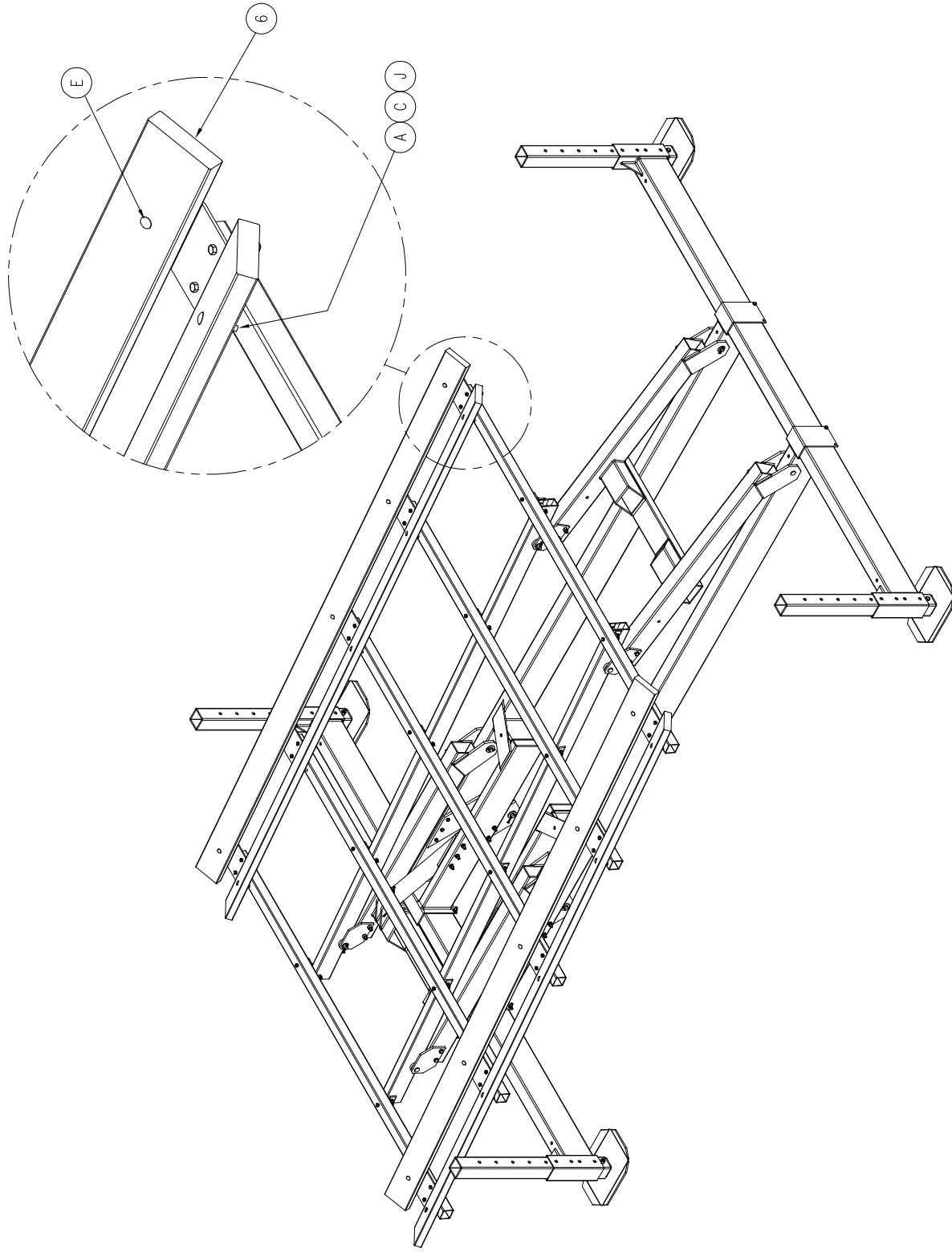


Figure 2-7.
HL5-7K (48" & 60" Lift) Pontoon Wood Bunks

3 HL5-7K PONTOON BOLT-ON KIT INSTRUCTIONS

3.1 4113071 HL5-7K PONTOON LIFT (48" LIFT)

Reference	Part Number	Quantity	Description
1	3606921	10	2-HOLE PLATE 3"
2	4113722	10	HL PONT MTG PLT 6 X 14
3	4107937	8	HL A/V BUNK WASHER 1-3/4 OD X 1/8"
4	4113713	10	HL PONTOON CROSS TUBE MTG ANGLE
5	4113719	8	HL6K PONTOON LIFTARM PIVOT PLATE
6	3624518	4	WOOD CARPETED 2X6X12FT
7	4113710	5	HL PONTOON CROSS SUPT TUBE 100"
8	4113518	2	HL6K PONTOON MAIN SUPT TUBE WLDMNT
A	5806243	20	WASHER SPLIT LOCK 3/8 SS
B	5840103	40	NUT HEX NYLOCK 3/8-16 ALUM
C	5840104	20	NUT HEX 3/8-16 ALUM
D	5894109	4	PIN, CLEVIS 3/4 X5 SS
E	5896323	20	BOLT CARR 3/8-16 X 2-1/2 SS
F	5896255	10	HHCS 3/8-16 X 3 SS
G	5896257	30	HHCS 3/8-16 X 3-1/2 SS
H	5896294	8	HHCS 1/2-13 X 5 SS
J	5896406	20	WASHER FLAT SAE 3/8" SS
K	5896417	4	WASHER FLAT SAE 3/4" 300 SS
L	5897018	8	NUT HEX NYLOCK 1/2-13 SS/WAX

3.2 4113072 HL5-7K PONTOON LIFT (60" LIFT)

Reference	Part Number	Quantity	Description
1	3606921	10	2-HOLE PLATE 3"
2	4113722	10	HL PONT MTG PLT 6 X 14
3	4107937	8	HL A/V BUNK WASHER 1-3/4 OD X 1/8"
4	4113713	10	HL PONTOON CROSS TUBE MTG ANGLE
5	4107796	8	HL PONTOON LIFTARM PIVOT PLATE
6	3624518	4	WOOD CARPETED 2X6X12FT
7	4113710	5	HL PONTOON CROSS SUPT TUBE 100"
8	4113518	2	HL6K PONTOON MAIN SUPT TUBE WLDMNT
9	4112613	8	HL BOSS 9/16" HOLE
A	5806243	20	WASHER SPLIT LOCK 3/8 SS
B	5840103	40	NUT HEX NYLOCK 3/8-16 ALUM
C	5840104	20	NUT HEX 3/8-16 ALUM
D	5894109	4	PIN, CLEVIS 3/4 X5 SS
E	5896323	20	BOLT CARR 3/8-16 X 2-1/2 SS
F	5896255	10	HHCS 3/8-16 X 3 SS
G	5896257	30	HHCS 3/8-16 X 3-1/2 SS
H	5896294	4	HHCS 1/2-13 X 5 SS
J	5896406	20	WASHER FLAT SAE 3/8" SS
K	5896417	4	WASHER FLAT SAE 3/4" 300 SS
L	5897018	4	NUT HEX NYLOCK 1/2-13 SS/WAX
M	5896182	4	HHCS 3/4-10 X 5 LG SS
N	5897014	4	NUT HEX NYLOCK 3/4-10 SS