

OPERATION AND PARTS MANUAL



WC-92S WC-92P WHITEMAN SERIES CONCRETE MIXERS

FINAL REVISION

Revision #7 (06/30/05)

© COPYRIGHT 2004, MULTIQUIP INC.



MULTIQUIP INC.

18910 WILMINGTON AVE.
CARSON, CALIFORNIA 90746
310-537-3700
800-421-1244
FAX: 310-537-3927

E-mail: mq@multiquip.com • www.multiquip.com

Atlanta • Boise • Dallas • Houston • Newark
Montreal, Canada • Manchester, UK
Rio De Janeiro, Brazil • Guadalajara, Mexico

PARTS DEPARTMENT:

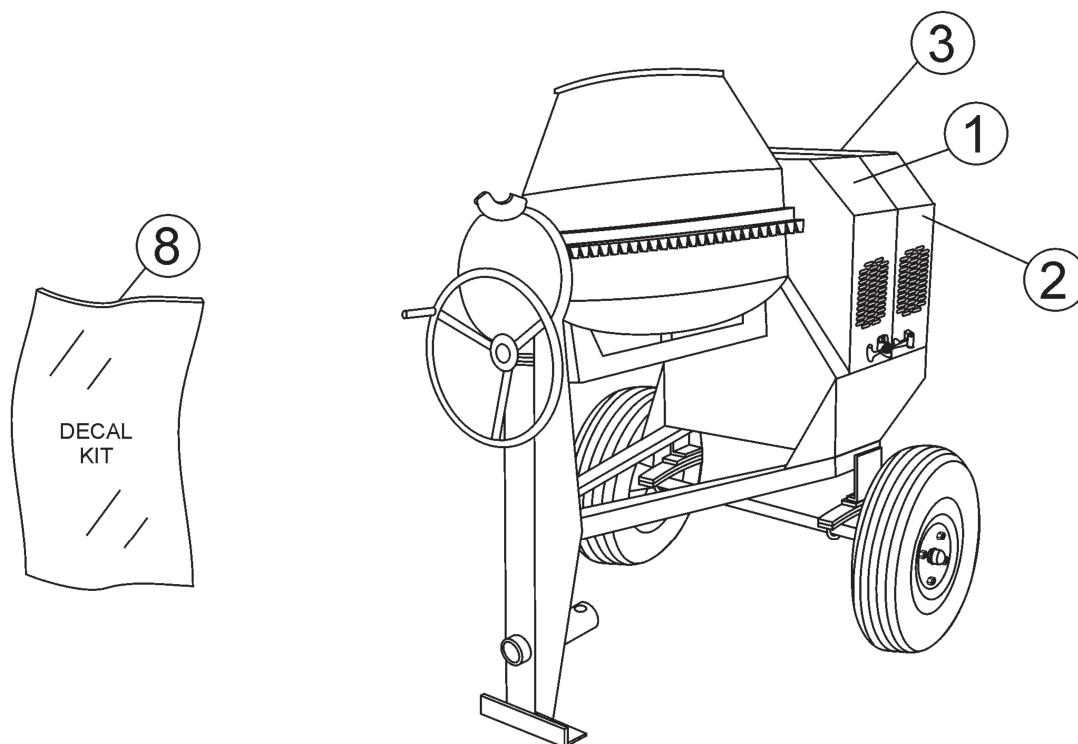
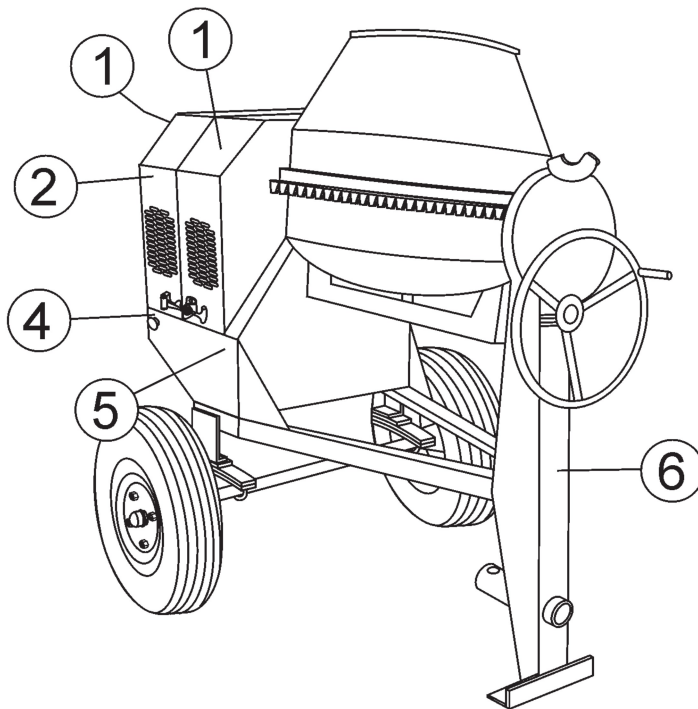
800-427-1244
FAX: 800-672-7877

SERVICE DEPARTMENT/TECHNICAL ASSISTANCE:

800-478-1244
FAX: 310-631-5032

WC-92P/S CONCRETE MIXER — NAME PLATE AND DECALS

NAME PLATE AND DECALS

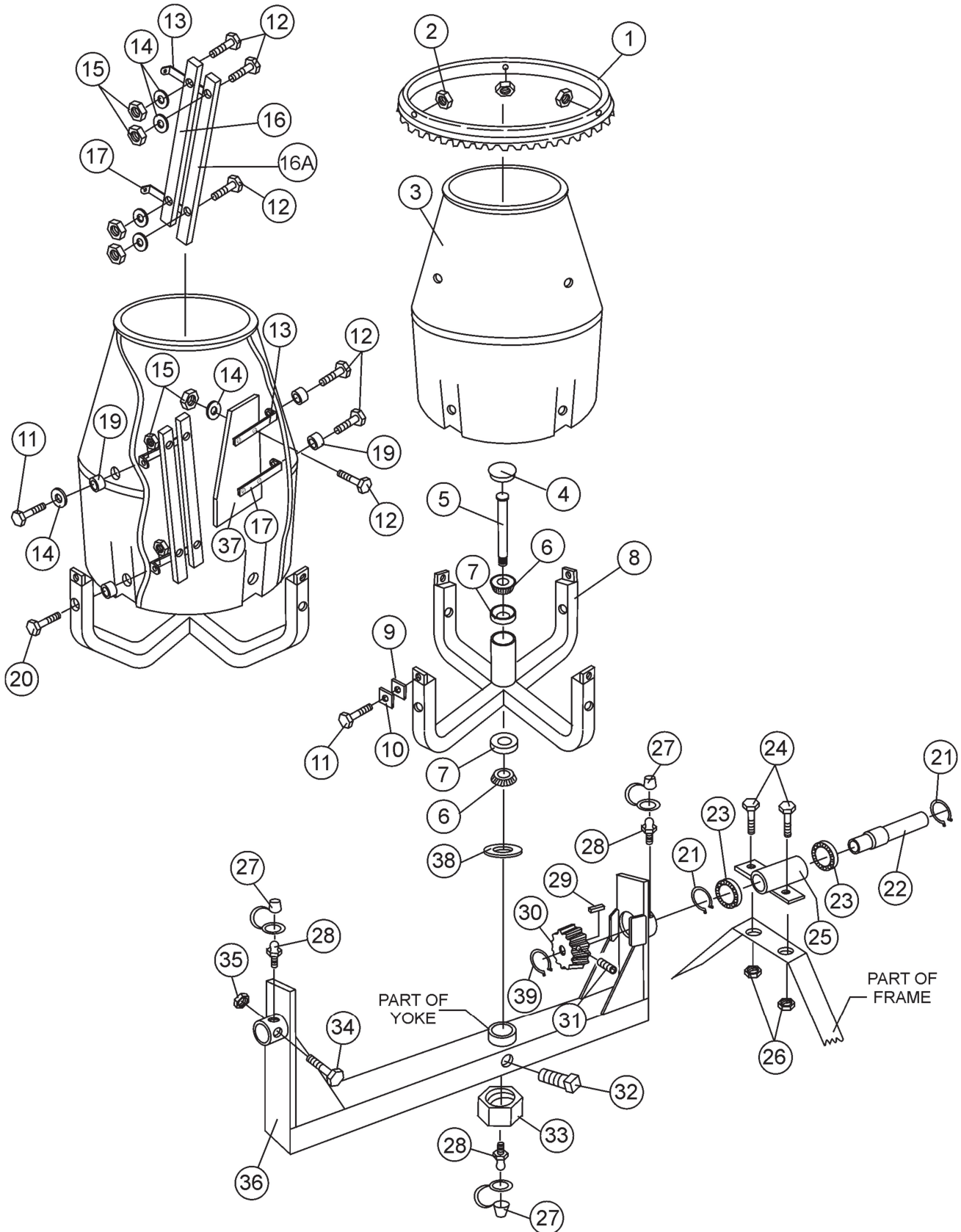


WC-92P/S CONCRETE MIXER— NAME PLATE AND DECALS

NAME PLATE AND DECALS

<u>NO</u>	<u>PART NO</u>	<u>PART NAME</u>	<u>QTY.</u>	<u>REMARKS</u>
1*	18252	DECAL, MQ WHITEMAN LOGO	3	
2*	CIPDCL160	DECAL, CRUSH WARNING	2	
3*	504713	DECAL, SAFETY INSTRUCTIONS	1	
4*	EM948630	DECAL, EMERGENCY STOP	1	
5*	DCL151	DECAL, TOWING INSTRUCTIONS	1	
6*	13118	DECAL, POWDER COATED	1	
7		NAMEPLATE.....	1 CONTACT MQ PARTS DEPT.
8	WMDCL6292	DECAL KIT	1 INCLUDES ITEM W/*

PLASTIC BARREL ASSY.



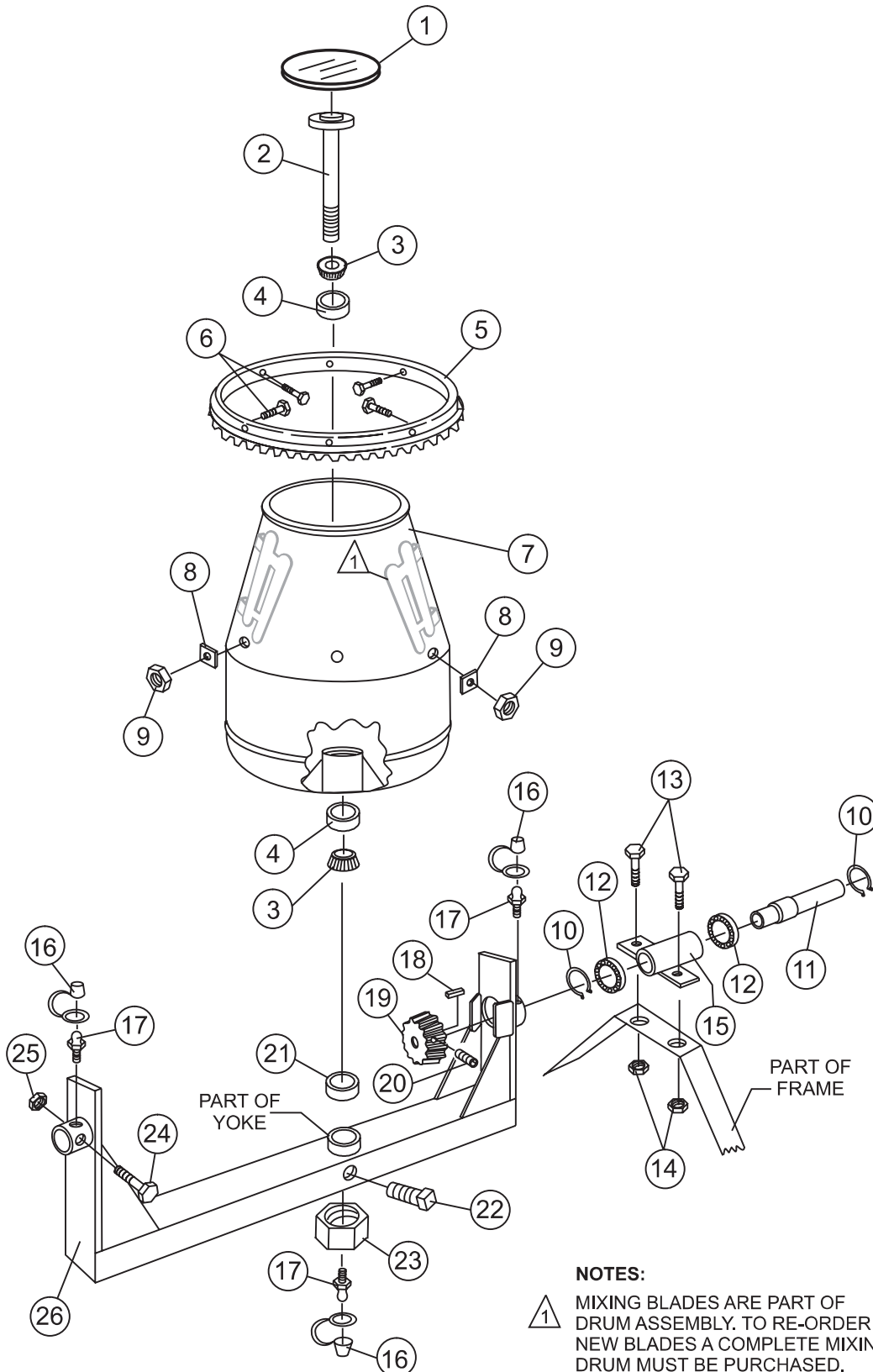
WC-92P/S — PLASTIC BARREL

PLASTIC BARREL ASSY.

NO	PART NO	PART NAME	QTY.	REMARK
1	508529	RING GEAR	1	
2	EM969013	NUT, LOCK 3/8" NC	4	
3	508492	BARREL, PLASTIC 9 CU. FT.	1	
4	505390	PLUG, EXPANSION	1	
5	508491	KING PIN	1	
6	510955	SPINDLE BEARING CONE	2	
7	510956	SPINDLE BEARING CUP	2	
8	508493	SUPPORT SPIDER	1	
9	511758	SHIM PLASTIC #14	AR	
10	511759	SHIM PLASTIC #16	AR	
11	EM963057	BOLT 3/8" NC 1-1/2" G5	8	
12	492378	BOLT 3/8" NC 1-3/4" G5	12	
13	507542	SUPPORT BRACKET, UPPER	4	
14	492598	WASHER, FLAT	16	
15	492583	NUT, HEX 3/8" NC	16	
16	508497	BLADE, VERT. LONG	2	
16A	508498	BLADE, VERT. SHORT	2	
17	507541	SUPPORT BRACKET, LOWER	4	
19	507538	SPACER MC8079	4	
20	490166	BOLT, HEX 3/8" NC X 3-1/2" G	4	
21	EM926036	RING, RETENTION	2	
22	502064	DRIVE PINION SHAFT	1	
23	492179	BEARING, PINION SHAFT	2	
24	EM963692	BOLT 1/2" NC X 1-1/2" G5	2	
25	503597	HOUSING, JACKSHAFT	1	
26	492584	LOCKNUT, HEX 1/2" NC	2	
27	491008	CAP, GREASE FITTING	3	
28	EM916001	GREASE FITTING 1/8" NPT	3	
29	500275	SQUARE KEY 1/4 X 35 MM	1	
30	501796	DRIVE PINION	1	
31	492468	ALLEN SCREW 5/16 NC 1/2"	1	
32	492491	SET SCREW 1/2" X 1" NC	1	
33	07037-024	NUT, HEX LOWER 1-1/2" NF	1	
34	492406	BOLT 5/8" NC X 1-1/4" NC	1	
35	EM969023	LOCKNUT, HEX 5/8"	1	
36	510647	YOKE	1	
37	508496	BLADE, PLASTIC (SHOVEL)	2	
38	500980	WASHER, FLAT 1-9/16"	1	
39	490961	RING, RETENTION	1	

WC-92P/S — STEEL BARREL

STEEL BARREL ASSY.

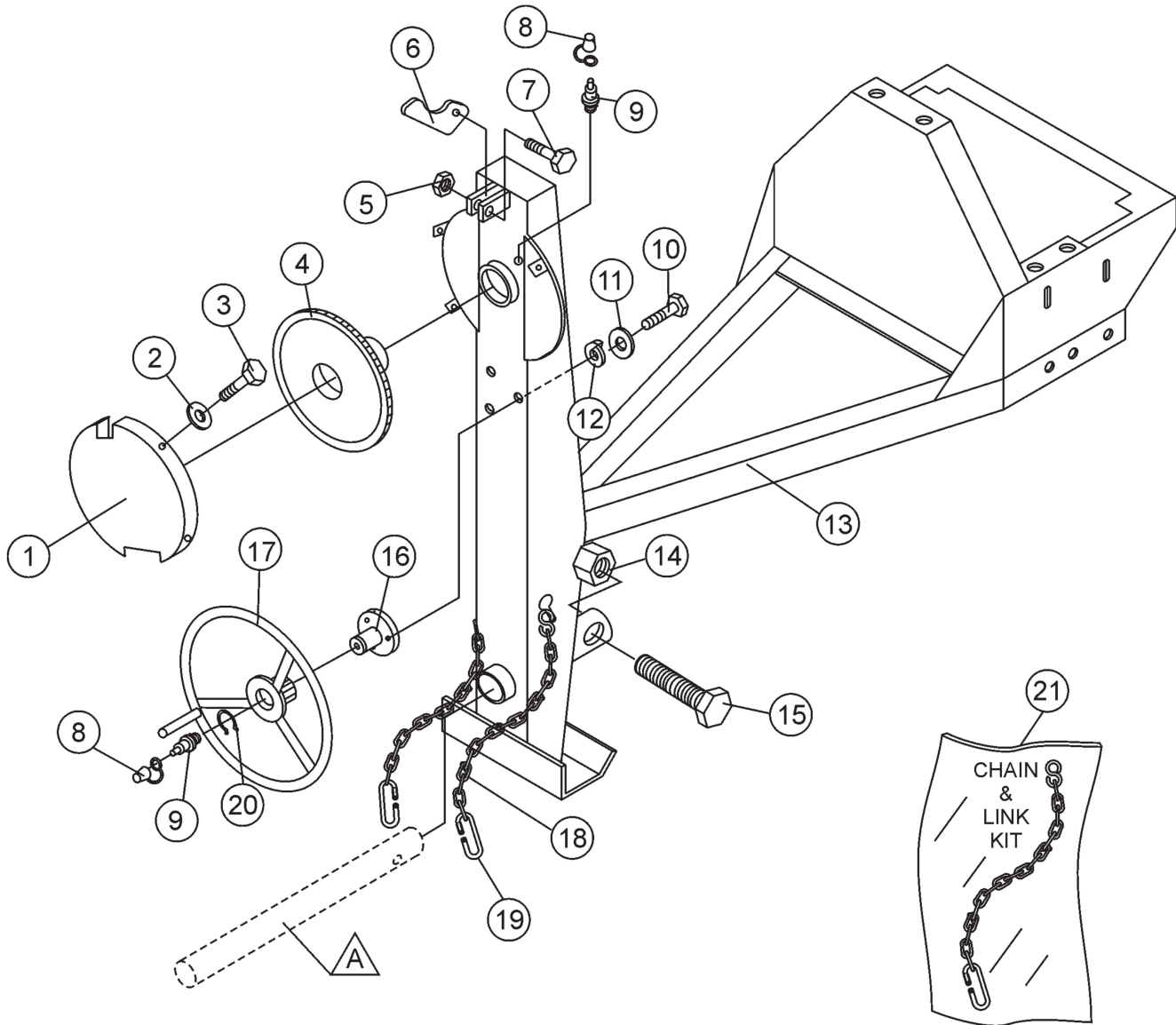


STEEL BARREL ASSY.

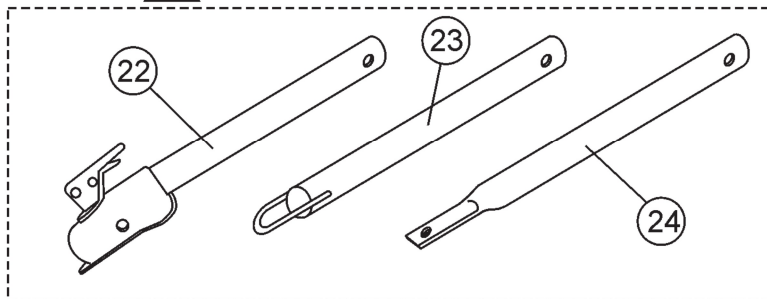
<u>NO</u>	<u>PART NO</u>	<u>PART NAME</u>	<u>QTY.</u>	<u>REMARK</u>
1	505390	PLUG, EXPANSION	1	
2	505469	KING PIN	1	
3	510955	SPINDLE BEARING 5/8" CONE	2	
4	510956	SPINDLE BEARING CUP	2	
5	490338	RING GEAR	1	
6	EM963057	BOLT 3/8" NC 1-1/2" G5	6	
7	505473	BARREL, STEEL 9 CU. FT.	1	
8	511729	SHIM 0.10 THICK	AR	
8	511730	SHIM 0.14 THICK	AR	
8	511731	SHIM 0.187 THICK	AR	
8	511732	SHIM 0.25 THICK	AR	
9	EM969013	NUT, LOCK 3/8" NC	6	
10	490962	RING, RETENTION	2	
11	502064	DRIVE PINION SHAFT	1	
12	492179	PINION SHAFT BEARING	2	
13	EM963692	BOLT 1/2" NC X 1-1/2" G5	2	
14	492584	LOCKNUT, HEX 1/2" NC	2	
15	503597	HOUSING, JACKSHAFT	1	
16	491008	CAP, GREASE FITTING	3	
17	EM916001	GREASE FITTING 1/8" NPT	3.....	REPLACES 491698
18	500275	SQUARE KEY 1/4" X 40 MM	1	
19	501796	DRIVE PINION	1	
20	492468	ALLEN SCREW 5/16 NC 1/2"	2	
21	EM505472	SPACER, BARREL	1	
22	492491	SET SCREW 1/2" X 1-1/2" NC	1	
23	EM968306	NUT, HEX LOWER 1-1/2" NF	1	REPLACES 492579
24	492406	BOLT 5/8" NC X 1-1/4" NC	1	
25	EM969023	LOCKNUT, HEX 5/8"	1	
26	510593	YOKE	1	
27	490961	RING, RETENTION	1	

WC-92P/S — MAIN FRAME ASSEMBLY

MAIN FRAME ASSY.



A OPTIONAL TOW BARS

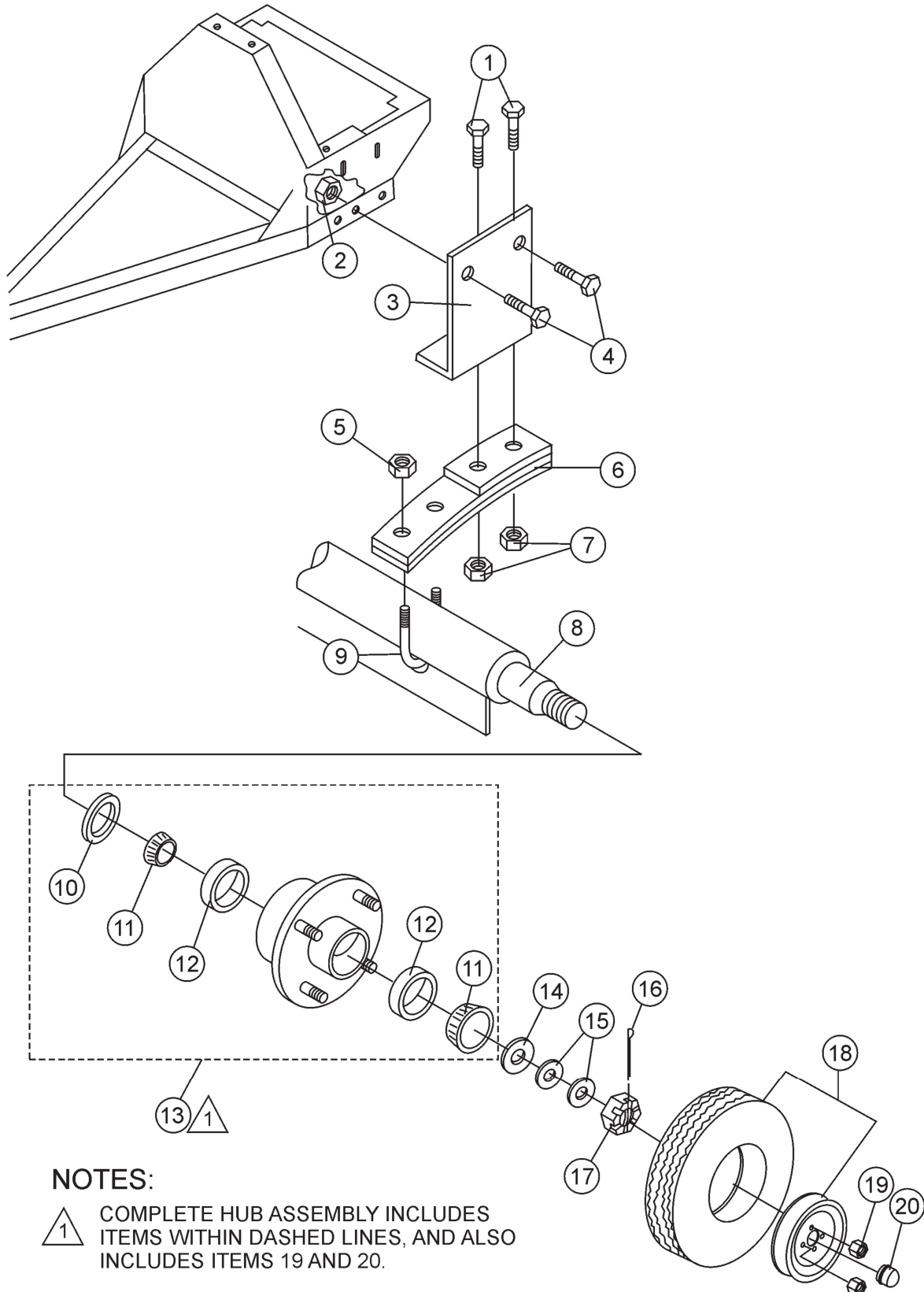


WC-92P/S — MAIN FRAME ASSEMBLY

MAIN FRAME ASSY.

<u>NO</u>	<u>PART NO</u>	<u>PART NAME</u>	<u>QTY.</u>	<u>REMARK</u>
1	500198	GUARD, GEAR WHEEL	1	
2	2101402	WASHER, LOCK 1/4"	4	
3	492284	ROUND HEAD BOLT 1/4" NC 3/8 G2"	4.....	REPLACES 492279
4	502063	DUMP GEAR	1	
5	492584	NUT, LOCK 1/2" NC	1	
6	490895	DUMP LATCH	1	
7	492395	BOLT 1/2" NC X 1-3/4" G5	1	
8	EM916001	GREASE FITTING 1/8" NPT	2.....	REPLACES 491698
9	491008	GREASE CAP	2	
10	EM963055	BOLT 3/8" NC X 3/4" G5	3	
11	3109092	WASHER, FLAT 3/8"	3	
12	0166 A	WASHER, LOCK 3/8"	3	
13	503595	FRAME	1	
14	EM124	BOLT 1/2"-13 X 4 G5	1	
15	10176	LOCK NUT 1/2 NC	1.....	REPLACES 492586
16	500167	HANDWHEEL SHAFT	1	
17	501808	HANDWHEEL	1	
18 *		SAFETY CHAIN	1	
19 *	01004	CONNECTOR LINK	2	
20	490961	RING RETAINING	1	
21	13363KIT	CHAIN AND LINK KIT	1	INCLUDES ITEMS W/ *
22	HBC-1	BALL HITCH 2-INCH	1.....	CONTACT UNIT SALES
23	HLC-1	LOOP HITCH	1.....	CONTACT UNIT SALES
24	HPC-1	PIN HITCH 1-INCH	1.....	CONTACT UNIT SALES

AXLE ASSY.



NOTES:

- 1 COMPLETE HUB ASSEMBLY INCLUDES ITEMS WITHIN DASHED LINES, AND ALSO INCLUDES ITEMS 19 AND 20.

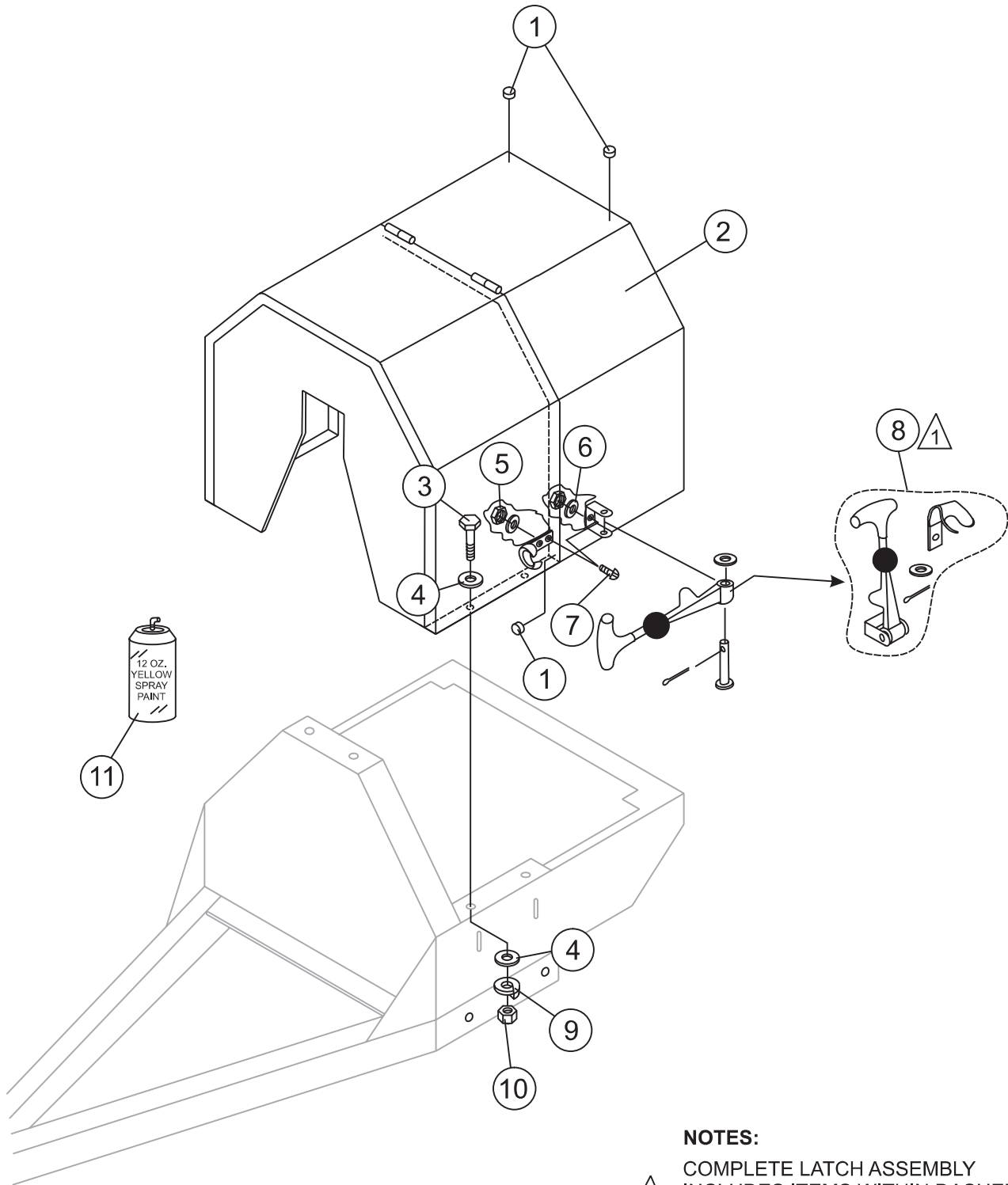
WC-92P/S — AXLE ASSEMBLY

AXLE ASSY.

<u>NO</u>	<u>PART NO</u>	<u>PART NAME</u>	<u>QTY.</u>	<u>REMARK</u>
1	492395	BOLT 1/2" NC 1-3/4" G5	4	
2	EM969023	LOCK NUT 5/8" NC	4	
3	501030	SPRING SUPPORT	2	
4	492406	BOLT 5/8" NC 1-1/2" G5	4	
5	492589	NUT 1/2" NF	4	
6	491928	SPRING LEAF	2	
7	492584	NUT, HEX 1/2"	4	
8	511336	AXLE 1-1/16" SPINDLE	1	
8	502039	AXLE 7/8" SPINDLE	1	
9	500617	U-CLAMP	2	
10*#	EM941288	OIL SEAL	2	
11*	EM903049	BEARING CONE, (7/8" SPINDLE)	4	
11#	EM903113	BEARING CONE, (1-1/16" SPINDLE)	4	
12*#	EM903012	BEARING CUP	4	
13	3504	HUB ASSY., 4-BOLT (7/8" SPINDLE)	2	INCLUDES ITEMS W/* REPLACES 493235
13	EM941306	HUB ASSY., 4-BOLT (1-1/16" SPINDLE)	2	INCLUDES ITEMS W/#
14	EM511159	WASHER, FLAT, .087" THICKNESS	2	
15	EM501299	WASHER, FLAT, .135" THICKNESS	AR	
16	491688	COTTER PIN 1/8" X 1-1/2"	2	
17	12426	NUT, SLOTTED HEX JAM (7/8" SPINDLE)	2	REPLACES 3068
17	8164	NUT, SLOTTED HEX JAM (1-1/16" SPINDLE)	2	
18	3005	TIRE AND RIM, CARLISE	2	
18	493236C	TIRE AND RIM, UNIROYAL	2	
19*#	8115	LUG NUTS	8	
20*#	3469	DUST CAP	2	

WC-92P/S — CABINET ASSEMBLY

CABINET ASSY.



NOTES:



COMPLETE LATCH ASSEMBLY INCLUDES ITEMS WITHIN DASHED LINES. ITEMS CANNOT BE PURCHASED SEPARATELY.

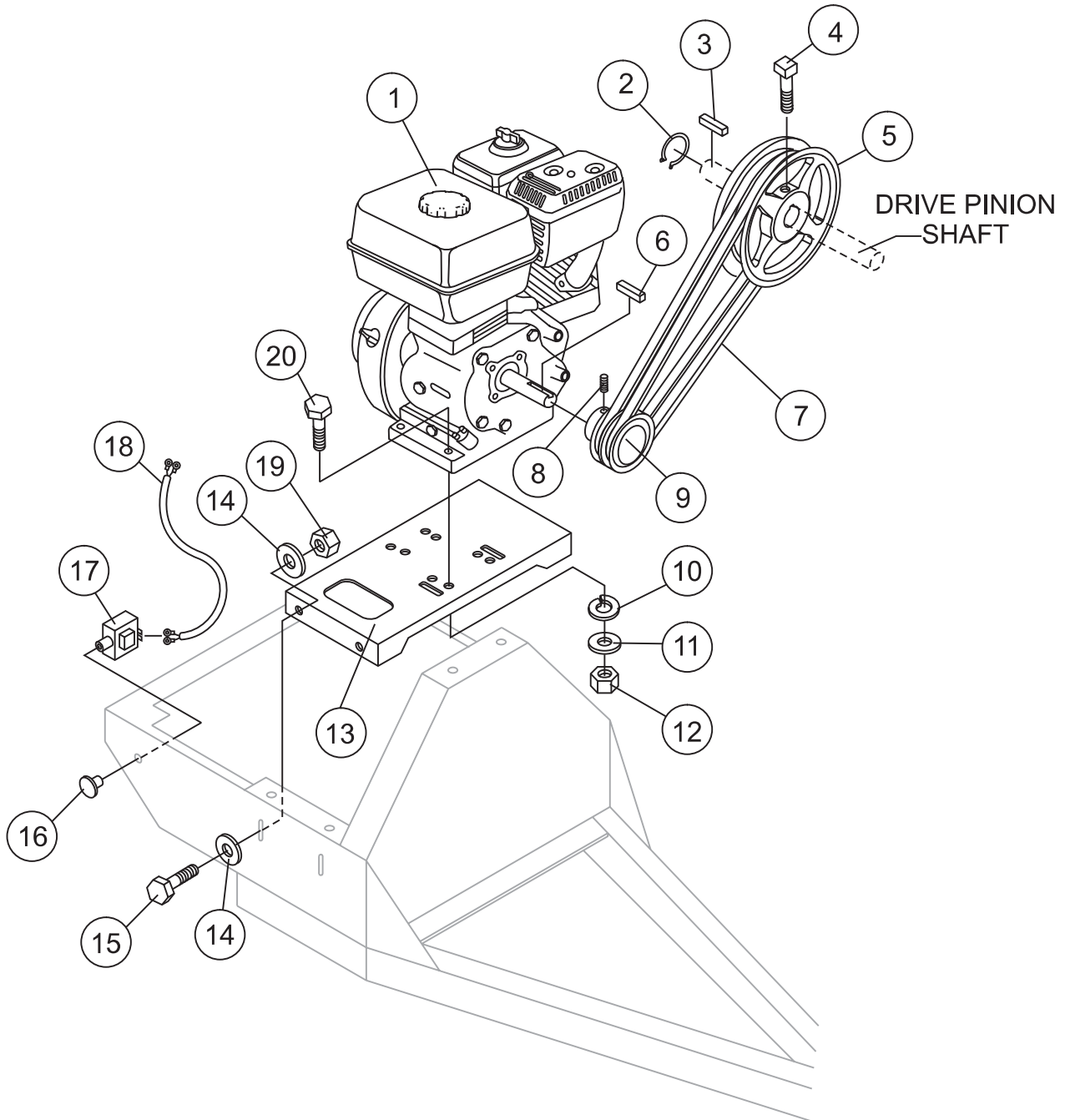
WC-92P/S — CABINET ASSEMBLY

CABINET ASSY.

<u>NO</u>	<u>PART NO</u>	<u>PART NAME</u>	<u>QTY.</u>	<u>REMARKS</u>
1	490202	RUBBER PROTECTOR	4	
2	503598	CABINET, ENGINE ASSY.	1	
3	492363	BOLT 5/16" NC X 3/4" G5	4	
4	EM923023	WASHER, FLAT 5/16"	8	
5	13287	LOCK NUT 8-32	6	REPLACEMENT PART ONLY
6	2203	WASHER, FLAT #10	6	REPLACEMENT PART ONLY
7	1307	RHMS 8-32 X 1/2"	6	REPLACEMENT PART ONLY
8	491010	LATCH ASSY., COMPLETE	2	
9	EM923343	WASHER, LOCK 5/16"	4	
10	2105164	NUT 5/16" NC G5	4	
11	EM974007	PAINT, SPRAY CAN 12 OZ. TRAFFIC RED	AR	

WC-92P/S — GAS ENGINE MOUNTING PLATE ASSEMBLY

GAS ENGINE MOUNTING PLATE ASSY.



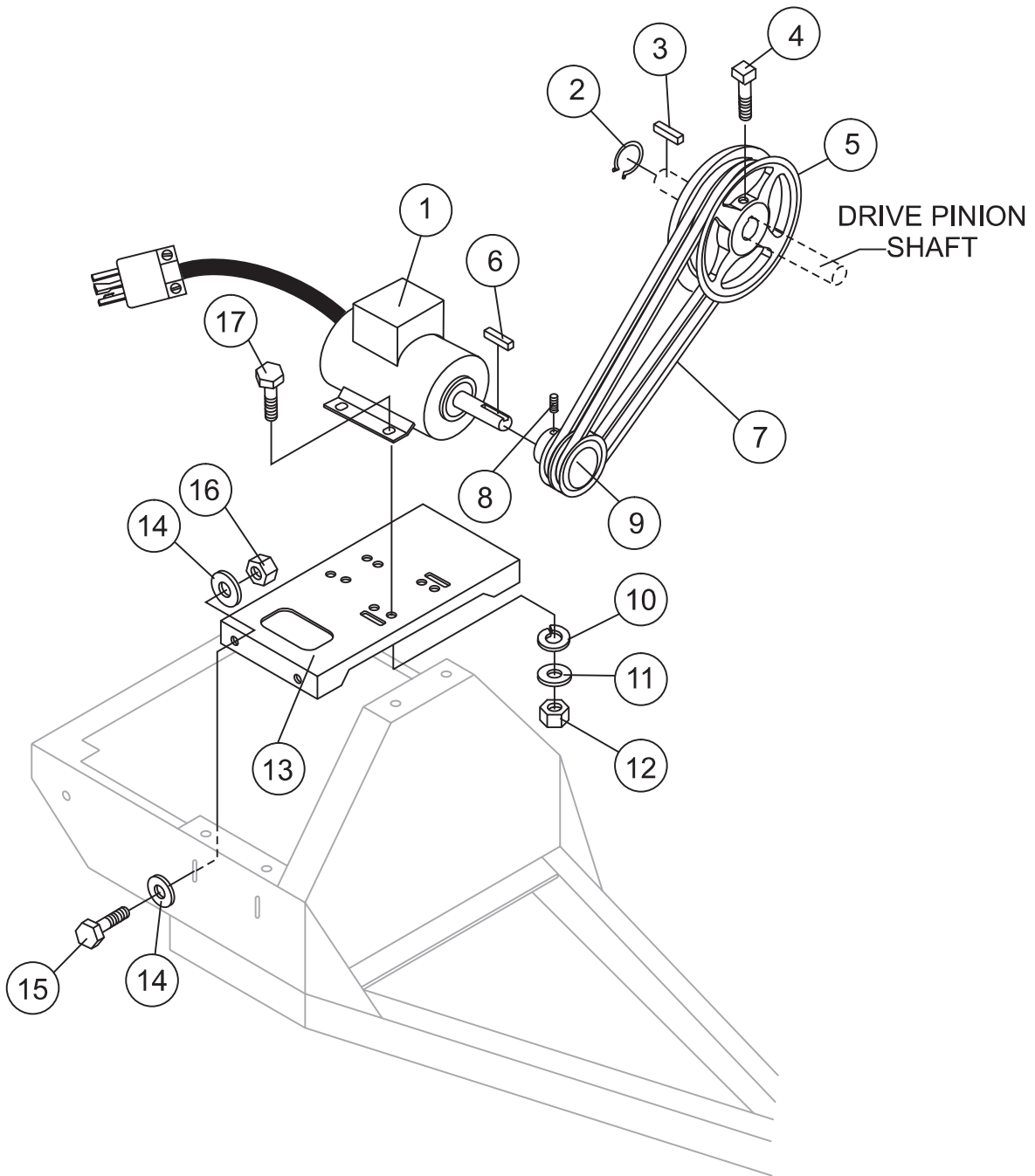
WC-92P/S — GAS ENGINE MOUNTING PLATE ASSEMBLY

GAS ENGINE MOUNTING PLATE ASSY.

<u>NO</u>	<u>PART NO</u>	<u>PART NAME</u>	<u>QTY.</u>	<u>REMARKS</u>
1	GX240K1HA2	ENGINE, HONDA 8.0 HP	1	
1	EH252YR000	ENGINE, ROBIN 8.5 HP	1	
2	490956	RING, RETAINING	1	
3	500275	SQUARE KEY	1	
4	492468	SET SCREW 5/16" NC X 3/4"	1	
5	492078	UPPER PULLEY	1	
6	501019	SQUARE KEY 3/16" X 45 MM	1	
7	503859	V-BELT A-38, HONDA	2	
7	491112	V-BELT A-40, ROBIN	2	
8	492468	ALLEN SCREW 5/16" NC X 1/2"	1	
9	492075	LOWER PULLEY	1	
10	EM923343	WASHER, LOCK 5/16"	4	
11	EM923023	WASHER, FLAT 5/16"	4	
12	492553	NUT, HEX 5/16 X18 NC G5	4	
13	502041	BASE PLATE ENGINE	1	
14	492600	WASHER, FLAT 1/2"	8	
15	EM963692	BOLT, HEX 1/2" NC 1-1/2" G5	4	
16	29174-001	BUTTON, STOP	1	
17	EM940734	SWITCH, STOP	1 REPLACES 491845
18	510573	ENGINE CABLE HARNESS	1	
19	492584	LOCKNUT 1/2"	4	
20	492367	BOLT 5/16" X 1-3/4" G5	4	

WC-92P/S — ELECTRIC MOTOR MOUNTING PLATE ASSEMBLY

ELECTRIC MOTOR MOUNTING PLATE ASSY.



WC-92P/S — ELECTRIC MOTOR MOUNTING PLATE ASSEMBLY

ELECTRIC MOTOR MOUNTING PLATE ASSY.

<u>NO</u>	<u>PART NO</u>	<u>PART NAME</u>	<u>QTY.</u>	<u>REMARKS</u>
1	P145K17DB45A	MOTOR, ELECTRIC 1.5 HP	1	
2	490956	RING, RETAINING	1	
3	500275	SQUARE KEY	1	
4	492468	SET SCREW 5/16" NC X 3/4"	1	
5	502210	UPPER PULLEY	1	
6	501019	SQUARE KEY 3/16" X 45 MM	1	
7	EM900267	V-BELT, A45	2	
8	492468	ALLEN SCREW 5/16" NC X 1/2"	1	
9	502213	LOWER PULLEY	1	
10	EM923343	WASHER, LOCK 5/16"	4	
11	EM923023	WASHER, FLAT 5/16"	4	
12	2105164	NUT, HEX 5/16 X18 NC G5	4	
13	503599	BASE PLATE ENGINE	1	
14	492600	WASHER, FLAT 1/2"	8	
15	EM963692	BOLT, HEX 1/2" NC 1-1/2" G5	4	
16	492584	LOCKNUT 1/2"	4	
17	0202	BOLT 5/16" X 1" G5	4	