

OPERATION AND PARTS MANUAL



***WHITEMAN* SERIES**
MODEL
WSC55 SERIES
CHEMICAL SPRAY CART
(HONDA GX160UT2LX2 GASOLINE ENGINE)

Revision #1 (08/30/19)

Original Version

THIS MANUAL MUST ACCOMPANY THE EQUIPMENT AT ALL TIMES.

P/N 49356

TABLE OF CONTENTS

WSC55 Chemical Spray Cart

Fuel and Chemical Exposure Warnings	2
Silicosis and Respiratory Warnings	3
Table of Contents.....	4
Training Checklist	6
Daily Pre-Operation Checklist	7
Safety Information	8–13
Lifting and Transporting	14
Specifications	15
Dimensions.....	16
Noise and Vibration Emissions	17
General Information.....	18
Components	19–23
Set-Up	24–26
Inspection	27–28
Operation.....	29–34
Options	35–37
Maintenance	38–42
Troubleshooting	43–45
Explanation of Code in Remarks Column.....	46
Suggested Spare Parts	47

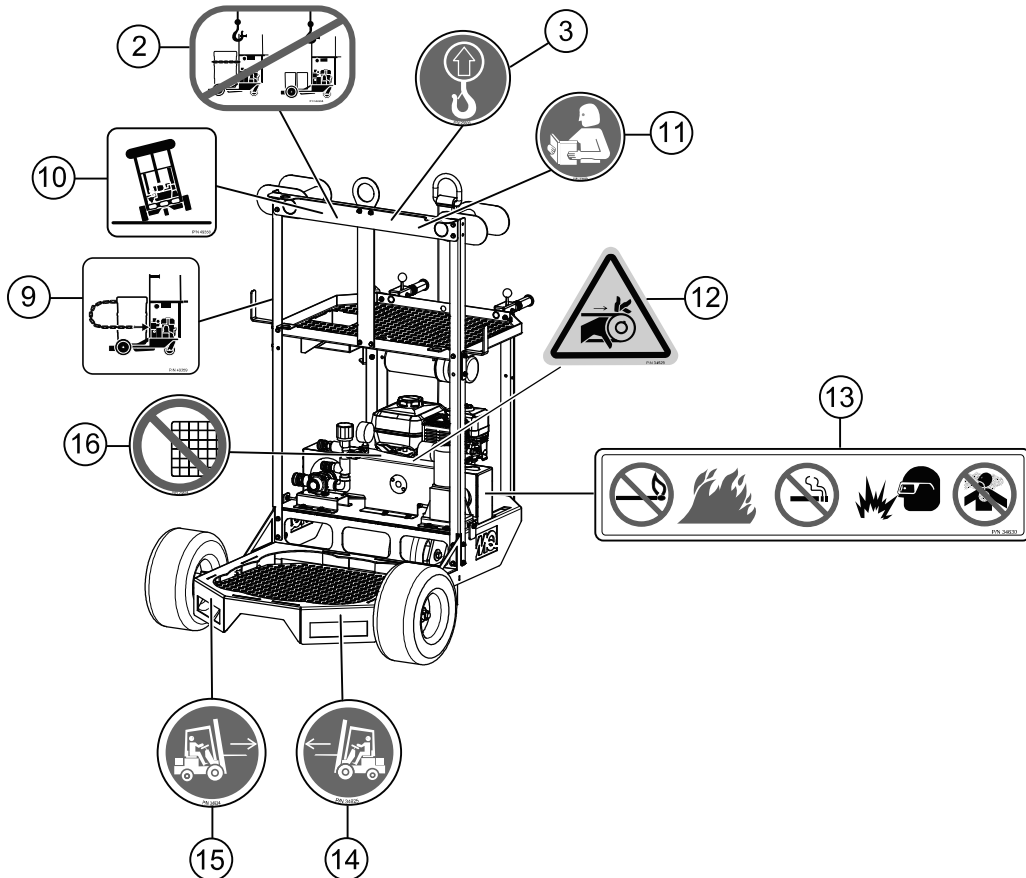
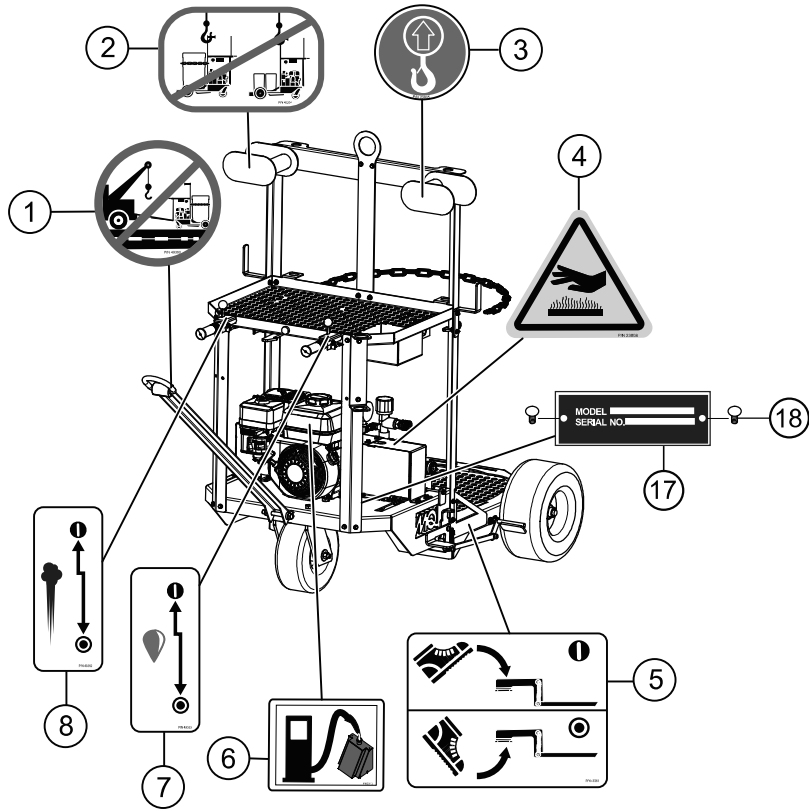
Component Drawings

Nameplate and Decals	48–49
Cart Assembly	50–51
Compressor Assembly	52–53
Pump Assembly.....	54–55
Engine Assembly	56–57
Wheel Assembly.....	58–59
Brake Assembly.....	60–61
Cart Hose Assembly.....	62–63
Barrel Mount Assembly	64–65
Engine Service Parts.....	66–67

NOTICE

Specifications and part numbers are subject to change without notice.

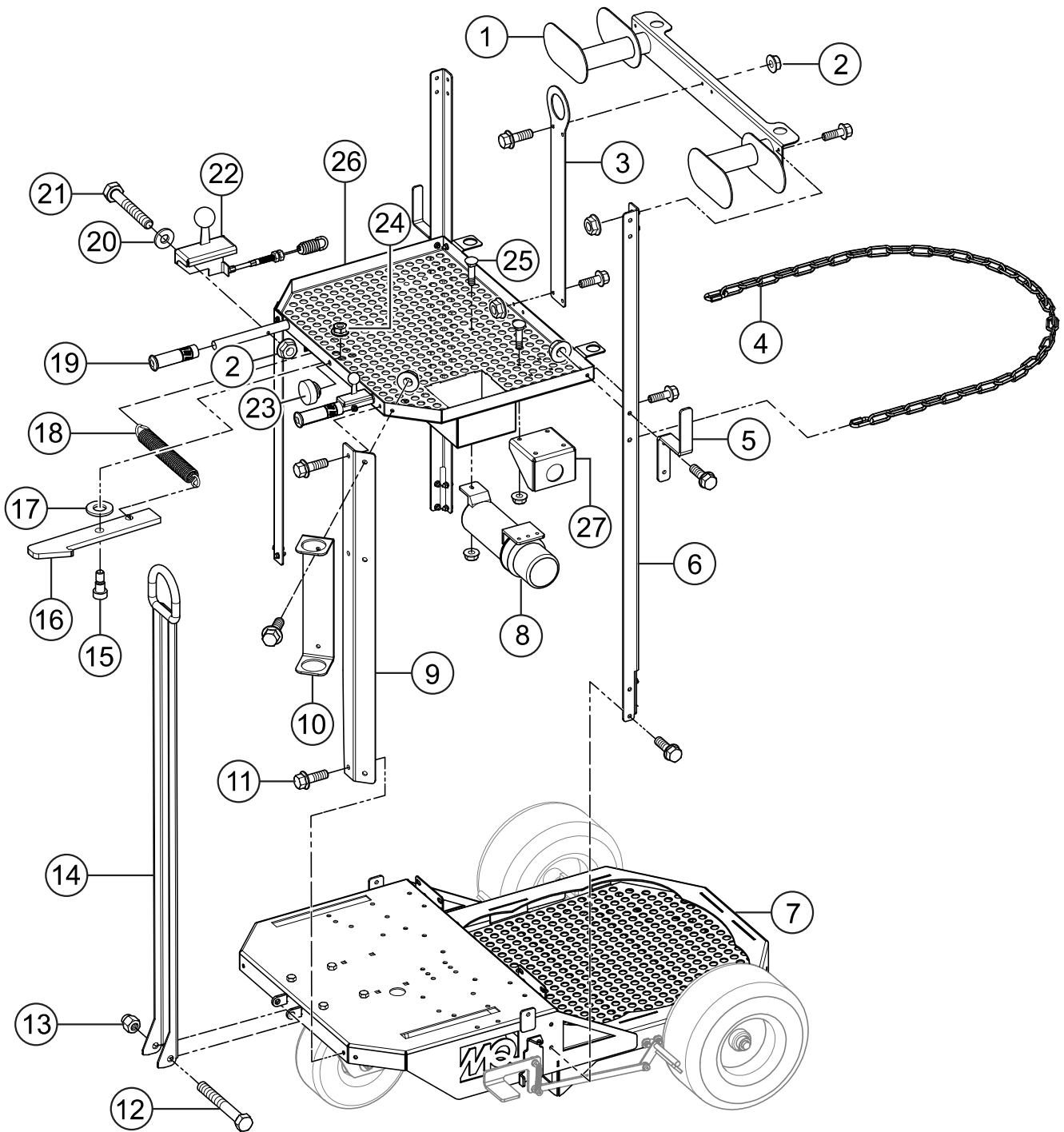
NAMEPLATE AND DECALS



NAMEPLATE AND DECALS

<u>NO.</u>	<u>PART NO.</u>	<u>PART NAME</u>	<u>QTY.</u>	<u>REMARKS</u>
1	49360	ISO DECAL, DO NOT TOW ON STREET	1	
2	49264	ISO DECAL, DO NOT LIFT WITH BARREL/PAILS	1	
3	23805	ISO DECAL, LIFT LOCATION, 1.00" DIA	1	
4	23808	ISO DECAL, HOT SURFACE HAZARD	1	
5	49361	ISO DECAL, ENGAGE PARKING BRAKE	1	
6	23812	ISO DECAL, FUEL GASOLINE	1	
7	49363	ISO DECAL, ENGAGE PUMP	1	
8	49362	ISO DECAL, ENGAGE COMPRESSOR	1	
9	49359	ISO DECAL, SECURE DRUM	1	
10	49358	ISO DECAL, TIPPING HAZARD	1	
11	23699	ISO DECAL, READ MANUAL, 2.00" DIA.	1	
12	34629	ISO DECAL, ROTATING PART HAZARD	1	
13	34630	DECAL, FIRE, SMOKING, EXPLOSION, INHALATION HAZARD	1	
14	34624	ISO DECAL, FORKLIFT RIGHT	1	
15	34625	ISO DECAL, FORKLIFT LEFT	1	
16	23874	ISO DECAL, DO NOT REMOVE GUARDS HAZARD	1	
17		SERIAL PLATE, NON CE	1 CONTACTMQPARTS
18	4014	SCREW, 2-3/16" P-K	2	

CART ASSY.



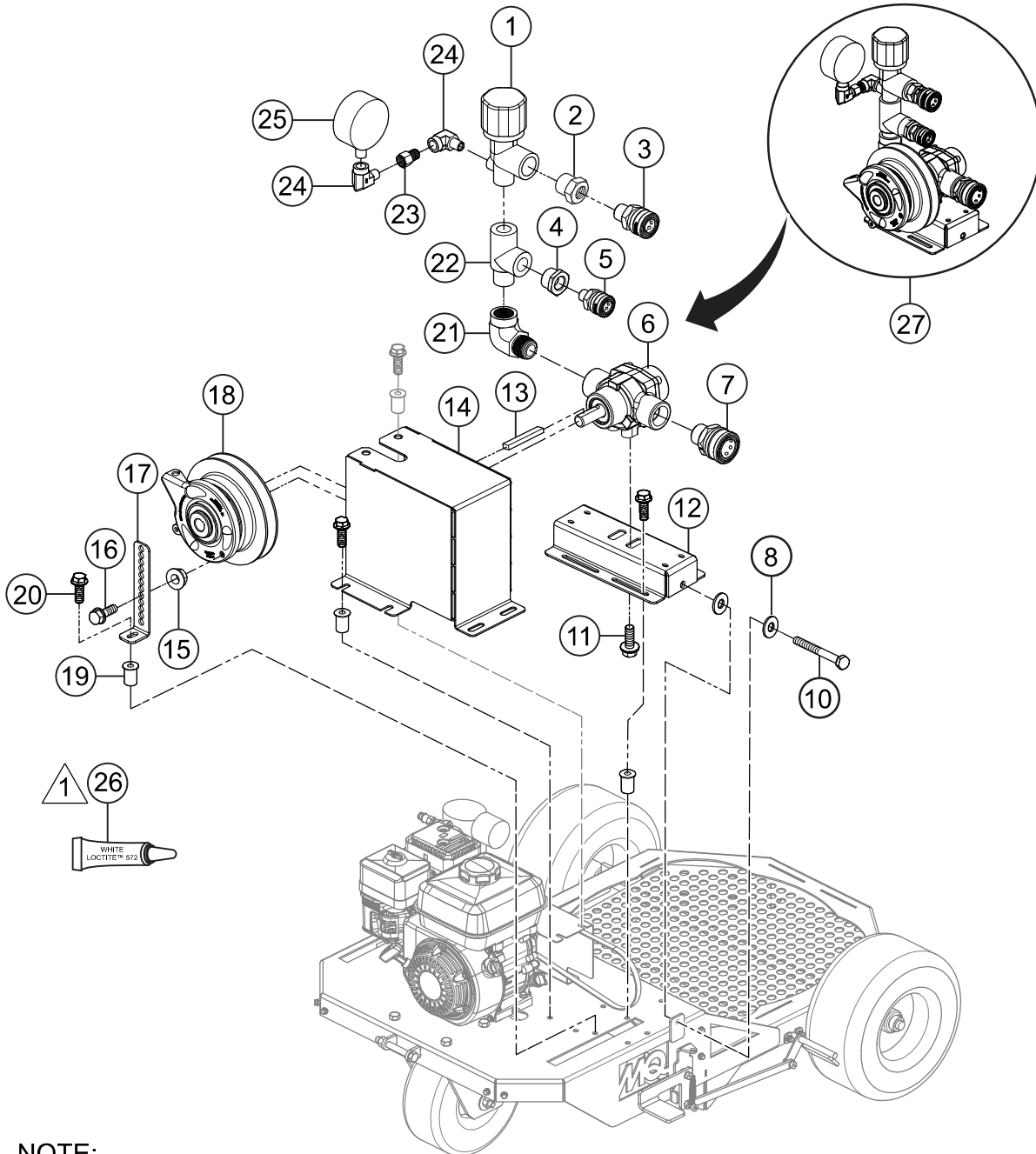
CART ASSY.

<u>NO.</u>	<u>PART NO.</u>	<u>PART NAME</u>	<u>QTY.</u>	<u>REMARKS</u>
1	49216	WRAP, HOSE	1	
2	49070	NUT, HFS, 1/4"-20	40	
3	49223	CRANE HOOK	1	
4	49242	CHAIN	1	
5	49215	HOLDER, HOSE	2	
6	49212	MOUNT, REAR FRAME	2	
7	49204	FRAME, BASE	1	
8	23297	MANUAL HOLDER	1	
9	49213	MOUNT, FRONT FRAME	2	
10	49214	HOLDER, SPRAY NOZZLE	1	
11	49048	SCREW, HHFS 1/4"-20 X 3/4" GRD 5	31	
12	8087	SCREW, HHC 1/2"-13 X 4	1	
13	10176	NUT, NYLOC 1/2"-13	1	
14	49221	HITCH, TOW	1	
15	3910382	BOLT, PLATED SHOULDER	1	
16	49350	LATCH, HITCH	1	
17	35235	WASHER, NYLON, 3/8" ID. X .06 THK	1	
18	18626-001	SPRING, TENSION-GUARD BLADE	1	
19	22762	GRIP, HANDLE	2	
20	0948	WASHER, FLAT SAE 1/4"	2	
21	26250	SCREW, HHC 1/4"-20 X 1-3/4"	2	
22	49308	CABLE, CART ENGAGE	2	
23	21597	BUMPER, STEM	1	
24	49071	NUT, HFS 5/16"-18	1	
25	29712	BOLT, CARRIAGE 1/4"-20 X 3/4"	7	
26	49225	TRAY, TOOL	1	
27	49252	BULKHEAD, CHEM. BLOWOUT	1	

COMPRESSOR ASSY.

<u>NO.</u>	<u>PART NO.</u>	<u>PART NAME</u>	<u>QTY.</u>	<u>REMARKS</u>
1#	49255	HOSE ASSY., 3/8" X 28" X 3/8"		
2#	49333	FITTING, BRASS 3/4" MNPT-3/8" FNPT	1	
3#	49256	FITTING, BULKHEAD 3/4" NPT	1	
4#	49326	FITTING, 3/4" MNPT FEMALE QUICK	1	
5#	49257	FITTING ADAPTOR 3/8" NPT X 1/4" NPT	1	
6#	32587	FITTING, BRASS TEE 1/4" MP	1	
7#	49345	VALVE, RELIEF 1/4" MNPT 100PSI	1	
8#	49289	CLUTCH, AIR MECHANICAL	1	
9	49071	NUT, HFS, 5/16"-18	1	
10	49314	BRACKET, IDLER	1	
11	9091	SCREW, HHFS 5/16"-18 X 1 GRD 5	1	
12	19266	NUT, BLIND	7	
13	60097	LOCTITE™ #246, BLUE	1	
14#	492339	SCREW, HHC, ZP M6-1.0 X 60, CLASS 8.8	1	
15#	49070	NUT, HFS 1/4"-20	3	
16	49347	SCREW, HHC 1/4"-20 X 3-1/2"	1	
17#	49272	PUMP COMPRESSOR BRACKET	1	
18#	0948	WASHER, FLAT SAE 1/4"	3	
20#	49269	COMPRESSOR, AIR	1	
21#	49048	SCREW, HHFS 1/4"-20 X 3/4" GRD 5	10	
22	49353	GUARD, LEFT	1	
23	49340	CART COMPRESSOR ASSEMBLY	1.....	INCLUDES ITEMS W/#
24	49260	OIL, AIR COMP. ISO 100 SAE 30 (.094 QT.).....	1.....	1-BTL=1QT

PUMP ASSY.



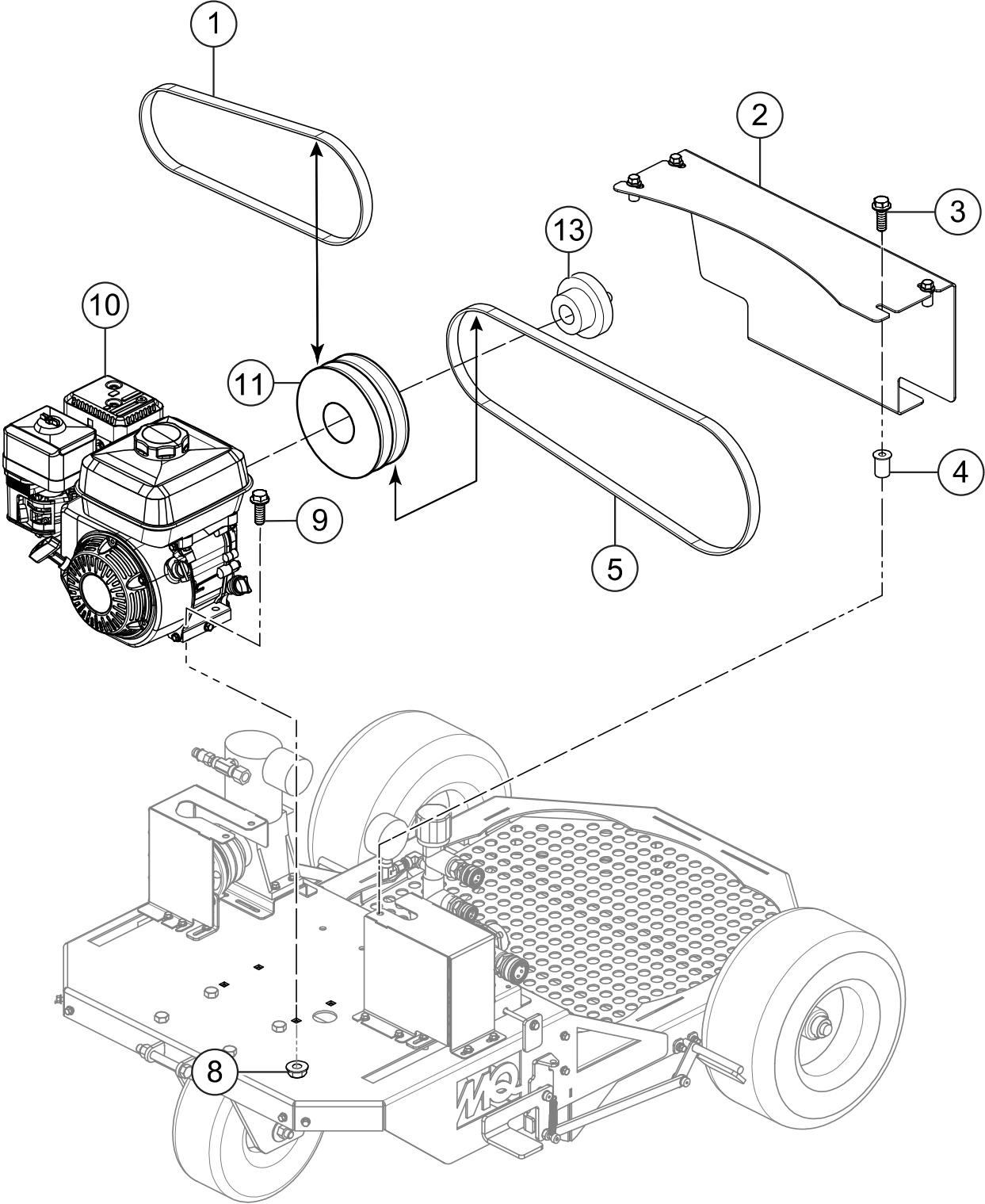
NOTE:

-  APPLY LOCTITE™ 572
TO ALL PIPE CONNECTIONS ON ITEMS 1-7
AND 21-25.

PUMP ASSY.

<u>NO.</u>	<u>PART NO.</u>	<u>PART NAME</u>	<u>QTY.</u>	<u>REMARKS</u>
1#	49309	REGULATOR, PRESSURE	1	
2#	16585	FITTING, BUSH 1/2" FP-3/4" MP	1	
3#	49327	FITTING, 1/2" MNPT FEMALE QUICK	1	
4#	49333	FITTING, BRASS 3/4" MNPT-3/8" FNPT	1	
5#	49328	FITTING, 3/8" MNPT FEMALE QUICK	1	
6#	49261	PUMP, 4 ROLLER 5/8" SHAFT REWORK	1	
7#	49326	FITTING 3/4" MNPT FEMALE QUICK	1	
8	0948	WASHER, FLAT SAE 1/4"	2	
10	49347	SCREW HHC 1/4"-20 X 3-1/2"	1	
11#	34002	SCREW HHC 1/4"-20 X 3-1/2"	2	
12#	49263	BRACKET, PUMP	1	
13#	584013	KEY, 3/16" X 1" SQ.	1	
14	49352	GUARD, RIGHT	1	
15	49071	NUT, HFS, 5/16"-18	1	
16	9091	SCREW, HHFS 5/16"-18 X 1 GRD 5	1	
17	49314	BRACKET, IDLER	1	
18#	49290	CLUTCH, PUMP MECHANICAL	1	
19#	19266	NUT, BLIND	9	
20	49048	SCREW, HHFS 1/4"-20 X 3/4" GRD 5	5	
21#	49335	FITTING, 90° 3/4" FNPT X 3/4" MNPT	1	
22#	59156	FITTING, RUN TEE 12 MP-12 FP-12 FP	1	
23#	30384	FITTING, 1/4" MNPT X 1/4" FNPT	1	
24#	8053	FITTING, 90° 1/4" FP-1/4" MP	2	
25#	49310	GAUGE, 300PSI LIQUID	1	
26	60096	LOCTITE™ #572, WHITE	1	
27	49339	CART PUMP ASSEMBLY	1.....	INCLUDES ITEMS W/#

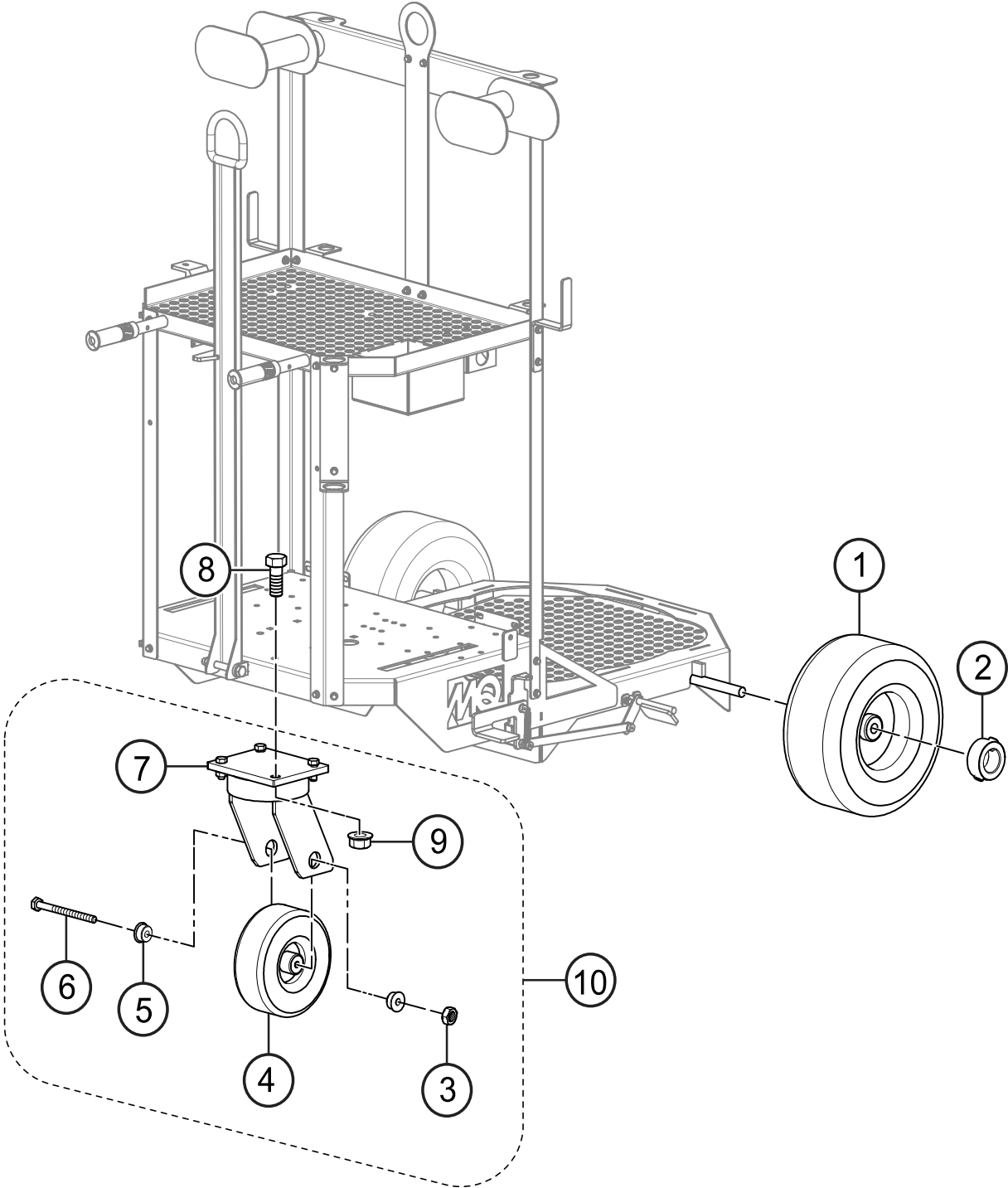
ENGINE ASSY.



ENGINE ASSY.

<u>NO.</u>	<u>PART NO.</u>	<u>PART NAME</u>	<u>QTY.</u>	<u>REMARKS</u>
1	49273	BELT, AX26	1	
2	49354	GUARD, CENTER	1	
3	49048	SCREW, HHFS 1/4"-20 X 3/4" GRD 5	6	
4	19266	NUT, BLIND	11	
5	49311	BELT, AX37	1	
8	49071	NUT, HFS, 5/16"-18	6	
9	21906	SCREW, HHFS 5/16"-18 X 1-1/2" GRD 5	4	
10	49282	ENGINE, HONDA 4.8 HP	1	
11	49293	PULLEY, 24AK46, TYPE H BUSHING	1	
13	49355	BUSHING, 20 MM	1	

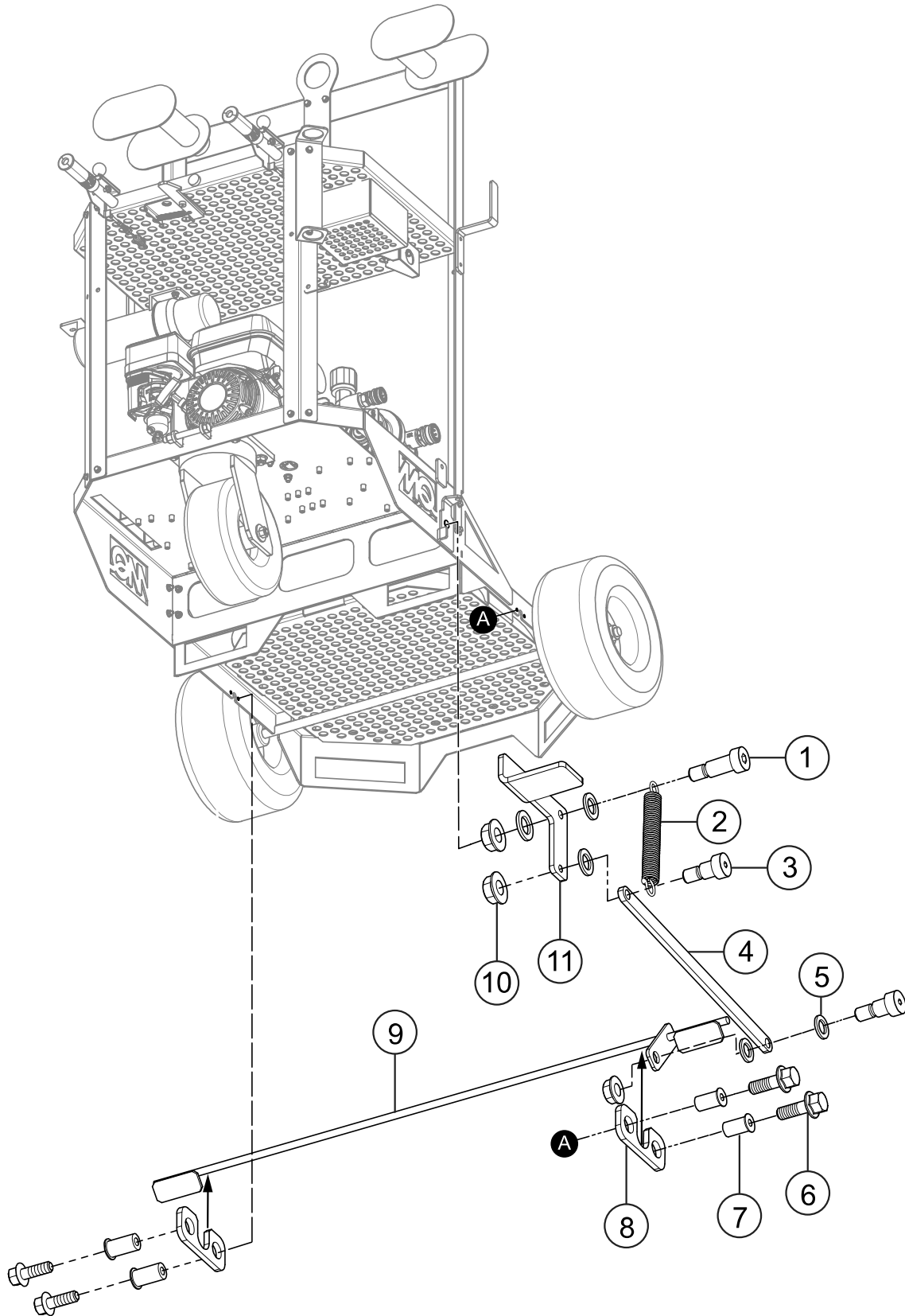
WHEEL ASSY.



WHEEL ASSY.

<u>NO.</u>	<u>PART NO.</u>	<u>PART NAME</u>	<u>QTY.</u>	<u>REMARKS</u>
1	49229	TIRE, REAR CART	2	
2	2367	COLLAR, SET .75 X 1.25 X .56	2	
3#	49228	NUT, TOP LOCK 1/2"-13 GRD C/ GRD 5	1	
4#	49275	TIRE, FRONT CART	1	
5#	49277	BUSHINGS, FRONT CASTER	2	
6#	49283	SCREW HHC 1/2"-13 X 6-1/4"	1	
7#	49276	BRACKET, CASTER FRONT	1	
8	3214	SCREW, HHC 1/2"-13 X 1-1/4"	4	
9#	26328	NUT, HFS 1/2"-13	4	
10	49230	CASTER, CART FRONT ASSEMBLY	1.....	INCLUDES ITEMS W/#

BRAKE ASSY.



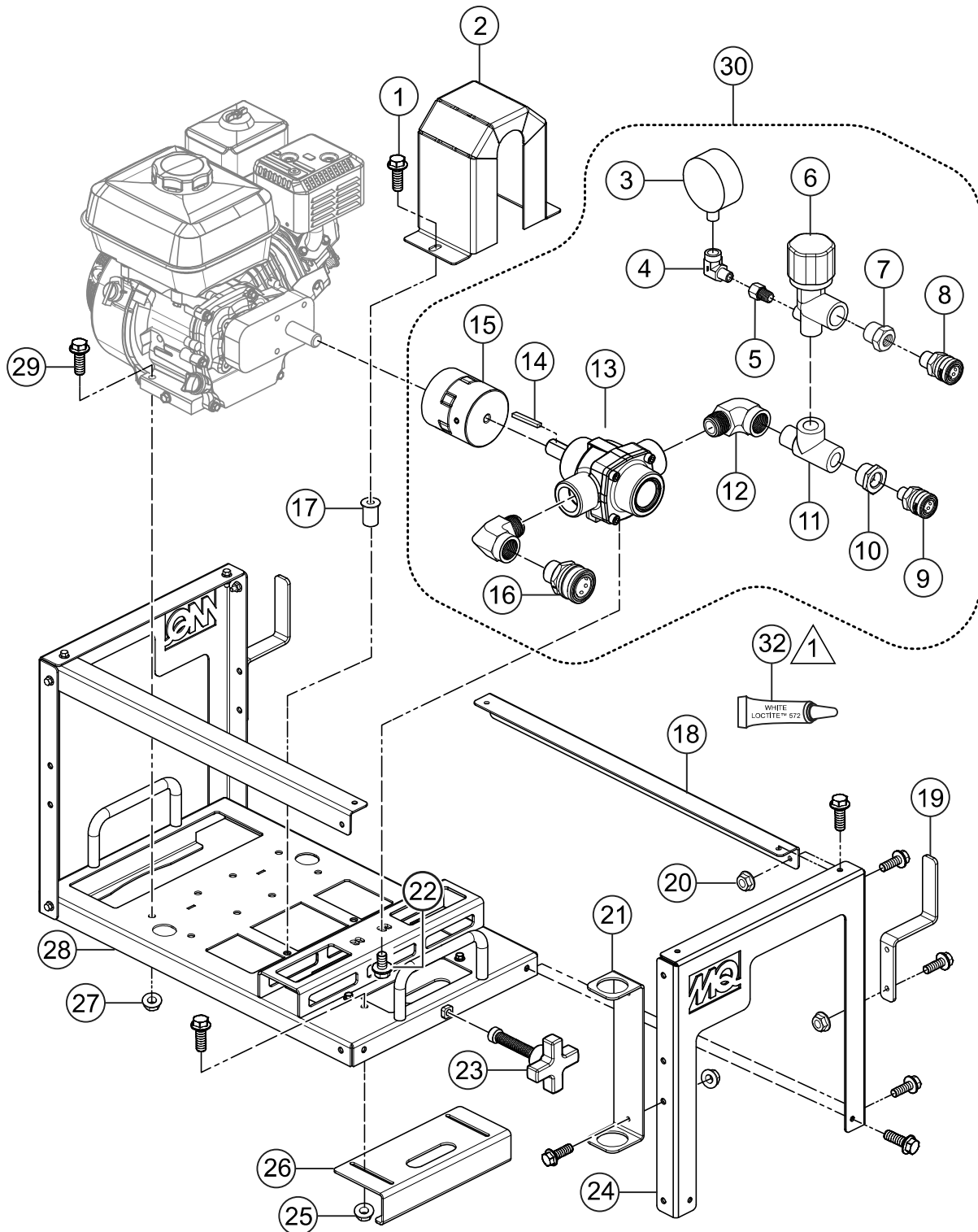
BRAKE ASSY.

<u>NO.</u>	<u>PART NO.</u>	<u>PART NAME</u>	<u>QTY.</u>	<u>REMARKS</u>
1	3910382	BOLT, PLATED SHOULDER, 3/8" X 3/8"	2	
2	20559-001	SPRING, EXTENSION 3.38 FL. X .71 OD. X .105	1	
3	49337	SCREW, SHOULDER 3/8" X 3/4", 5/16"-18 SOCKET HEAD	1	
4	49318	CONNECTING BRAKE BAR	1	
5	35235	WASHER, NYLON, 3/8" ID. X .06 THK.	5	
6	49048	SCREW, HHFS 1/4"-20 X 3/4" GRD 5	4	
7	29452	NUT, BLIND 1/4"-20 X .165-.260	4	
8	49316	MOUNT, BRAKE AXLE	2	
9	49323	BRAKE AXLE	1	
10	49071	NUT, HFS 5/16"-18	3	
11	49317	BRAKE LEVER	1	

CART HOSE ASSY.

<u>NO.</u>	<u>PART NO.</u>	<u>PART NAME</u>	<u>QTY.</u>	<u>REMARKS</u>
1	49280	SUCTION TUBE ASSEMBLY	1.....	INCLUDES ITEMS W/#
2#	49332	FITTING, 90° 3/4" FNPT-3/4" FNPT	1	
3#	49326	FITTING, 3/4" MNPT FEMALE QUICK	1	
4#	49244	TUBE, SUCTION	1	
5	49307	HOSE, 5' X 3/4" SUCTION ASSEMBLY	1	
6	49303	HOSE, 50' 3/8" ASSEMBLY	1	
7%	49243	GUN, SPRAY	1	
8%	49331	FITTING, 3/8" FNPT MALE QUICK	1	
9%	32723	FITTING, 1/2"-14 MNPT X 3/8"-18 MNPT	1	
10	49284	SPRAY GUN ASSEMBLY	1.....	INCLUDES ITEMS W/%
11	49305	HOSE, 5' X 1/2" RETURN ASSEMBLY	1	
12@	49245	TUBE, RETURN	1	
13@	49327	FITTING 1/2" MNPT FEMALE QUICK	1	
14@	49336	FITTING, 90° 1/2" FNPT-1/2" FNPT	1	
15	49281	RETURN TUBE ASSEMBLY.....	1.....	INCLUDES ITEMS W/@
16	60096	LOCTITE™ #572, WHITE	1	
17	49254	SPRAY, FLAT TIP WHITE	1	
18	49251	SPRAY, FLAT TIP GREY	1	
19	49250	SPRAY, FLAT TIP RED	1	
20	49247	SPRAY, FLAT TIP BROWN	1	

BARREL MOUNT ASSY.



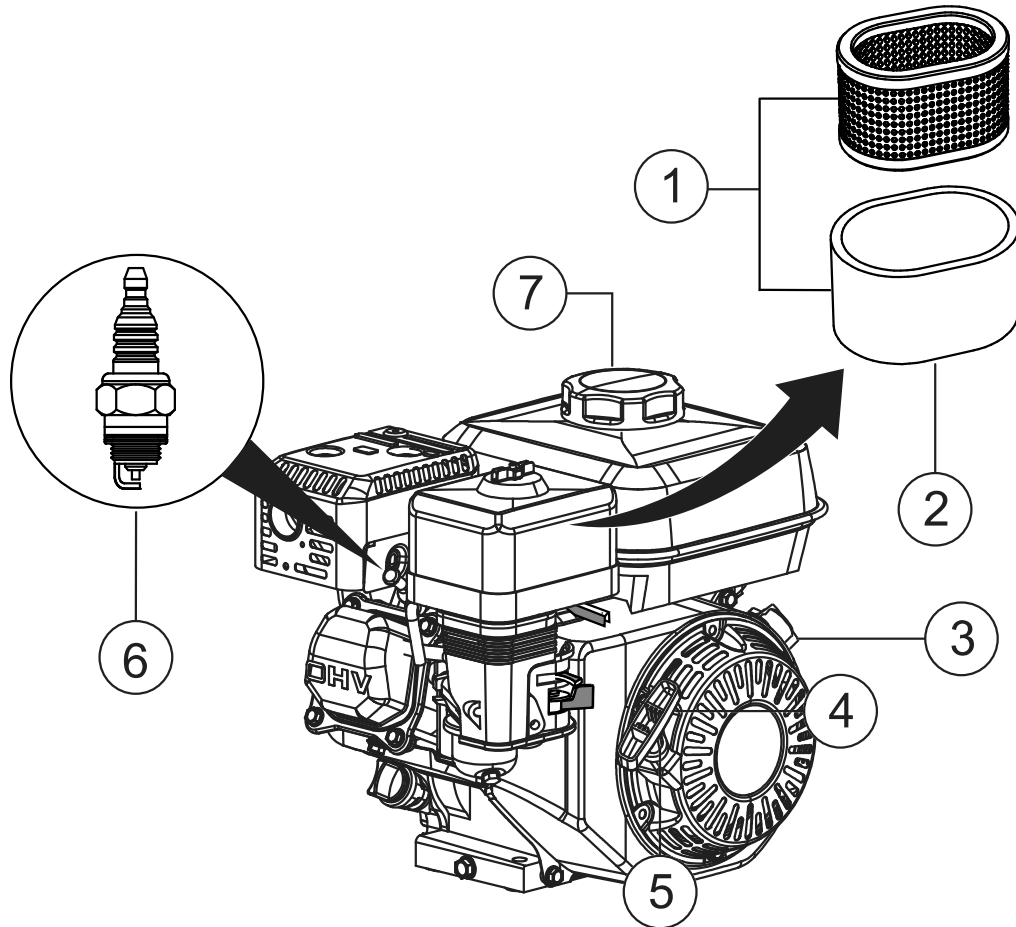
NOTE:

 APPLY LOCTITE™ #572
TO ALL PIPE CONNECTIONS ON ITEMS 3-16.

BARREL MOUNT ASSY.

<u>NO.</u>	<u>PART NO.</u>	<u>PART NAME</u>	<u>QTY.</u>	<u>REMARKS</u>
1	49048	SCREW, HHFS 1/4"-20 X 3/4" GRD 5	27	
2	49253	GUARD, COUPLING TOP	1	
3#	49310	GAUGE 300PSI LIQUID	1	
4#	8053	FITTING, 90° 1/4" FP-1/4" MP	1	
5#	30384	FITTING, 1/4" MNPT X 1/4" FNPT	1	
6#	49309	REGULATOR, PRESSURE	1	
7#	16585	FITTING, BUSH 1/2" FP-3/4" MP	1	
8#	49327	FITTING, 1/2" MNPT FEMALE QUICK	1	
9#	49328	FITTING, 3/8" MNPT FEMALE QUICK	1	
10#	49333	FITTING, BRASS 3/4" MNPT-3/8" FNPT	1	
11#	59156	FITTING, RUN TEE 12 MP-12 FP-12 FP	1	
12#	49335	FITTING, 90° 3/4" FNPT X 3/4" MNPT	2	
13#	49261	PUMP, 4 ROLLER 5/8" SHAFT REWORK	1	
14#	584013	KEY, 3/16" X 1" SQ.	1	
15#	49240	COUPLING, 3/4"-15/16"	1	
16#	49326	FITTING, 3/4" MNPT FEMALE QUICK	1	
17	49694	NUT, BLIND 1/4"-20	2	
18	49249	CAGE, TOP	2	
19	49215	HOLDER, HOSE	2	
20	49070	NUT, HFS, 1/4"-20	21	
21	49214	HOLDER, SPRAY NOZZLE	1	
22	34002	SCREW, HHC 1/4"-20 X 3-1/2"	2	
23	49239	SCREW, THUMB 3/8"-16 X 2"	1	
24	49248	CAGE, ENDS	2	
25	10024	NUT, NYLOC 1/4"-20	4	
26	49236	BRACKET, ADJUSTMENT	1	
27	49071	NUT, HFS, 5/16"-18	4	
28	49231	SKID, MOTOR PUMP	1	
29	21906	SCREW, HHFS 5/16"-18 X 1-1/2" GRD 5	4	
30	49343	SKID PUMP ASSEMBLY	1.....	INCLUDES ITEMS W/#
32	60096	LOCTITE™ #572, WHITE	1	

ENGINE SERVICE PARTS



ENGINE SERVICE PARTS

<u>NO.</u>	<u>PART NO.</u>	<u>PART NAME</u>	<u>QTY.</u>	<u>REMARKS</u>
1	17210ZE1517	ELEMENT, AIR CLEANER (DUAL).....	1.....	INCLUDES ITEMS W/#
2#	17218ZE1507	FILTER, OUTER	1	
3	35120Z0T851	SWITCH ASSY., ENGINE STOP	1	
4	28461Z4M305	GRIP, RECOIL STARTER	1	
5	28462ZH8003	ROPE, RECOIL STARTER	1	
6	9807955876	SPARK PLUG	1	
7	17620Z4H900	CAP, FUEL	1	