

TABLE OF CONTENTS

HTXD6i Ride-On Trowel

| | |
|--|---|
| Table of Contents..... | 2 |
| Explanation of Code in Remarks Column..... | 4 |
| Suggested Spare Parts | 5 |

Component Drawings

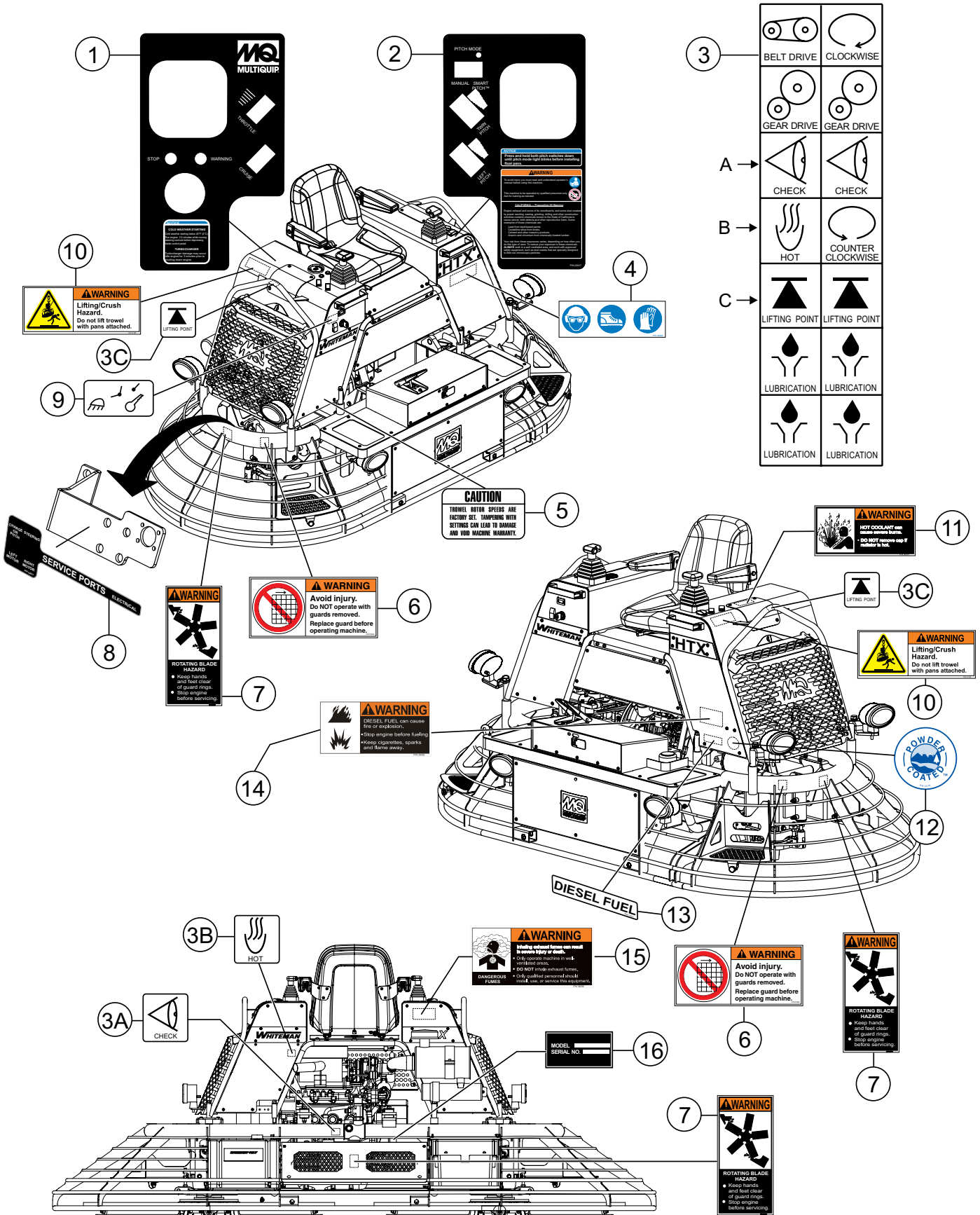
| | |
|--|-------|
| Nameplate and Decals Assembly..... | 6-7 |
| Frame Assembly..... | 8-9 |
| Light Assembly | 10-11 |
| Front and Side Guard Assembly..... | 12-13 |
| Left Front Panel Assembly..... | 14-15 |
| Right Front Panel Assembly | 16-17 |
| Rear Panel Assembly | 18-19 |
| Platform Assembly..... | 20-21 |
| Seat Frame Assembly | 22-23 |
| Indicators - Switches - Meter Assembly | 24-25 |
| Controller Assembly | 26-27 |
| Relays - Fuses Assembly | 28-29 |
| Pivot Assembly..... | 30-31 |
| Hydraulic Steering Assembly..... | 32-33 |
| Hydraulic Cylinder Assembly..... | 34-35 |
| Hydraulic Cooler Assembly | 36-37 |
| Pump Assembly Complete | 38-39 |
| Pump Mounting Bracket Assembly..... | 40-41 |
| Pump Fittings Assembly | 42-43 |
| Pump Levers Assembly | 44-45 |
| Pump Stroker Mount Assembly | 46-47 |

| | |
|--|---------|
| Hydraulic Hose Kit Assembly Complete | 48-49 |
| Hyd. Hose Assy. (Pitch Block Ports P0-P1) | 50-51 |
| Hyd. Hose Assy. (Pitch Block Ports C1-C4)..... | 52-53 |
| Hyd. Hose Assy. (LH-RH Steering Valves #1).. | 54-55 |
| Hyd. Hose Assy. (LH-RH Steering Valves #2).. | 56-57 |
| Hyd. Hose Assy. (P. Block Ports SP-T3/Hyd. Motor)... | 58-59 |
| Hyd. Assy. (Burp Tank/Suction Filter/Valves) ... | 60-61 |
| Hyd. Hose Assy. (Pitch Block/Cooler/Pump).... | 62-63 |
| Pitch Block Assembly (Fittings) | 64-65 |
| Pitch Block Assembly (Valves) | 66-67 |
| Hydraulic Test Port Hoses Assembly..... | 68-69 |
| Burp Tank Assembly | 70-71 |
| Suction Filter Assembly | 72-73 |
| Test Port Assembly | 74-75 |
| Left-Hand Valve Assembly..... | 76-77 |
| Right-Hand Valve Assembly | 78-79 |
| Stabilizer Assembly | 80-81 |
| 6-Blade Spider Assembly (Left-Side) | 82-83 |
| 6-Blade Spider Assembly (Right-Side) | 84-85 |
| Spray Assembly..... | 86-87 |
| Engine Mounting Assembly | 88-89 |
| Engine Components and Radiator Assembly.. | 90-91 |
| Air Cleaner and Exhaust Assembly | 92-93 |
| Water Pump, Fan, V-Belt Assembly | 94-95 |
| Fuel System Assembly | 96-97 |
| Battery Assembly..... | 98-99 |
| Radiator Mounting Hardware Assembly | 100-101 |
| Harness Assembly..... | 102-103 |

NOTICE

Specifications and part numbers are subject to change without notice.

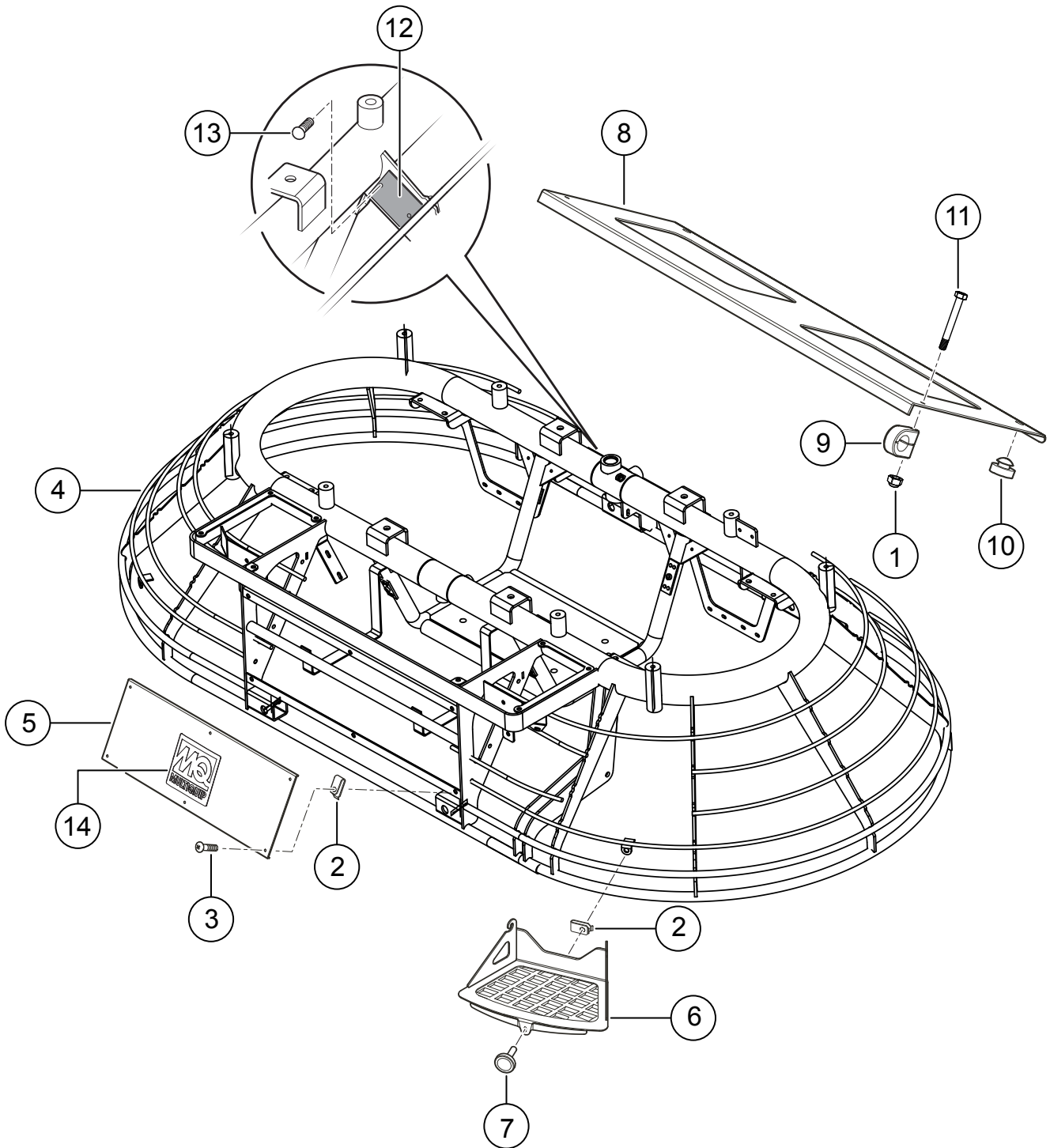
NAMEPLATE AND DECALS ASSY.



NAMEPLATE AND DECALS ASSY.

| <u>NO.</u> | <u>PART NO.</u> | <u>PART NAME</u> | <u>QTY.</u> | <u>REMARKS</u> |
|------------|-----------------|--|-------------|-----------------------------|
| 1 | 22818 | DECAL, RH CONSOLE OVERLAY | 1 | |
| 2 | 22817 | DECAL, LH CONSOLE OVERLAY | 1 | |
| 3A | 11246 | DECAL, CHECK FLUID | 1 | |
| 3B | 11246 | DECAL, HOT SURFACE | 1 | |
| 3C | 11246 | DECAL, LIFT POINT | 2 | |
| 4 | 36099 | DECAL, PROTECTIVE CLOTHING | 1 | |
| 5 | 20953 | DECAL, WARNING, ROTOR SPEED SETTING | | |
| 6 | 21665 | DECAL, REPLACE GUARDS 2.38" x 5.0" | 2 | |
| 7 | 35168 | DECAL, ROTATING BLADE HAZARD 2.0 x 4.3 | 2 | |
| 8 | 22827 | DECAL, GAUGE PORT OVERLAY | 1 | |
| 9 | 2814 | DECAL, CONTROL PANEL, KEY, LIGHT | 1 | |
| 10 | 21455 | DECAL, LIFTING CRUSH HAZARD PANS | 2 | |
| 11 | 36091 | DECAL, HOT COOLANT 3.5 X 1.75 | 1 | |
| 12 | 13118 | DECAL, POWDER COATED | 1 | |
| 13 | 11811 | DECAL, DIESEL FUEL 5.13" BLACK | 1 | |
| 14 | 36092 | DECAL, DIESEL FUEL 3.5 X 1.75 | 1 | |
| 15 | 36090 | DECAL, VENTILATION 2X4" | 1 | |
| 16 | | DECAL, SERIAL PLATE | 1 |CONTACT MQ PARTS DEPT. |

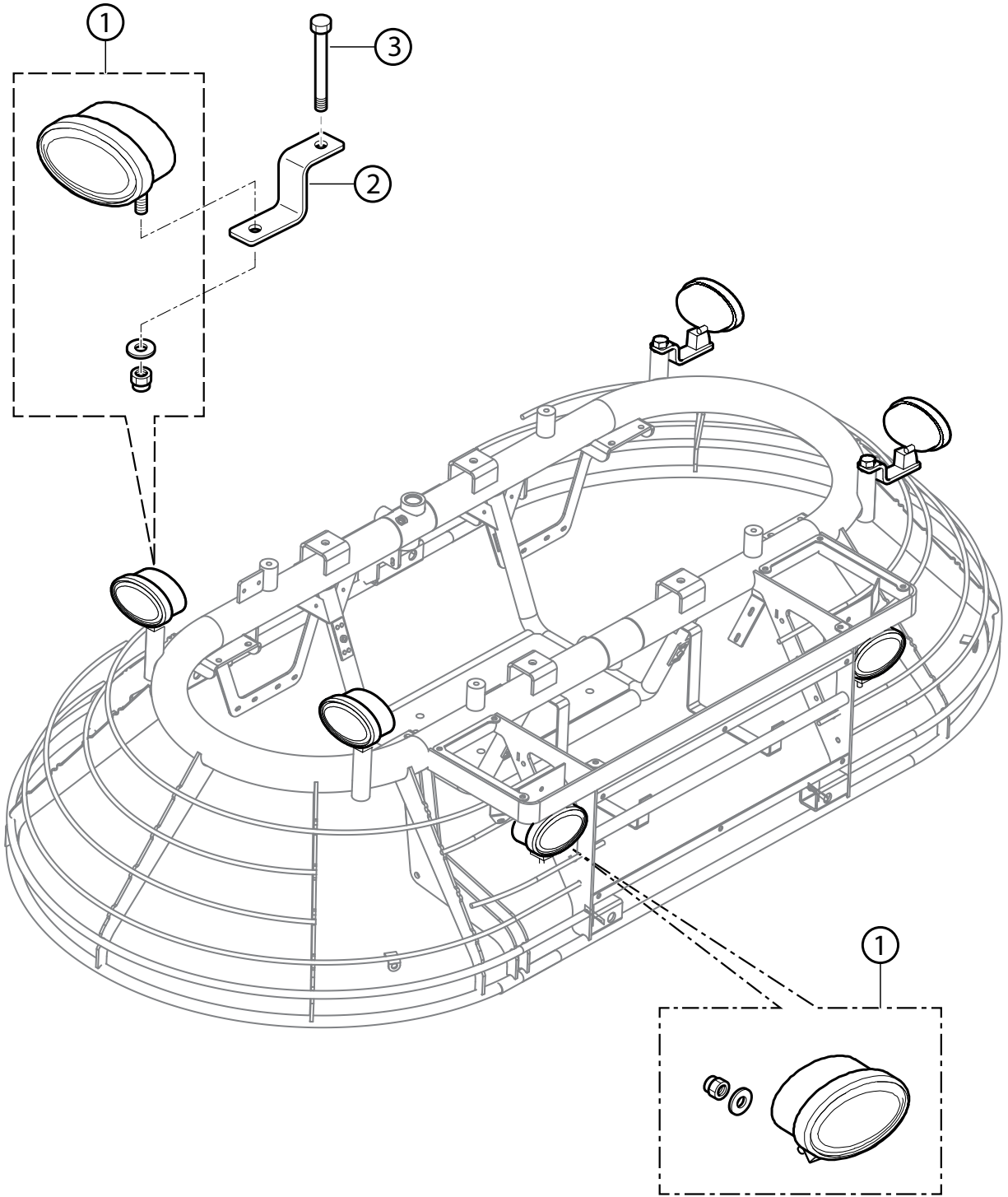
FRAME ASSY.



FRAME ASSY.

| <u>NO.</u> | <u>PART NO.</u> | <u>PART NAME</u> | <u>QTY.</u> | <u>REMARKS</u> |
|------------|-----------------|---|-------------|--|
| 1 | 10024 | NUT, NYLOC 1/4-20 | 2 | |
| 2 | 11534 | NUT U TYPE 1/4-20 | 12 | |
| 3 | 12287 | SCREW, THP 1/4-20 X 3/4" SS | 6 | |
| 4 | 22360 | FRAME W/A HTXD6i | 1 | |
| 5 | 20697 | PANEL, ACCESS, FRONT..... | 1..... | SAFETY ITEM |
| 6 | 21374 | STEP, W/A HTXD6i..... | 2..... | SAFETY ITEM |
| 7 | 21468 | KNOB, PLASTIC 1/4-20 X 1" STUD | 2 | |
| 8 | 21471 | PANEL, ACCESS, REAR HTXD6i | 1..... | SAFETY ITEM |
| 9 | 21490 | CLAMP, TUBE 18MM | 2 | |
| 10 | 21597 | BUMPER, STEM 1" DIA X .5" STEM X .31"TK | 2 | |
| 11 | 26250 | SCREW, HHC 1/4-20 X 1-3/4" | 2 | |
| 12 | | DECAL, SERIAL PLATE | 1..... | MUST ORDER FROMPARTS DEPT. WITH S/N |
| 13 | 4014 | SCREW, 2-3/16" P-K TYPE U-DRIVE | 2 | |
| 14 | 23235 | BADGE, FOOT PLATFORM, MQ | 1 | |

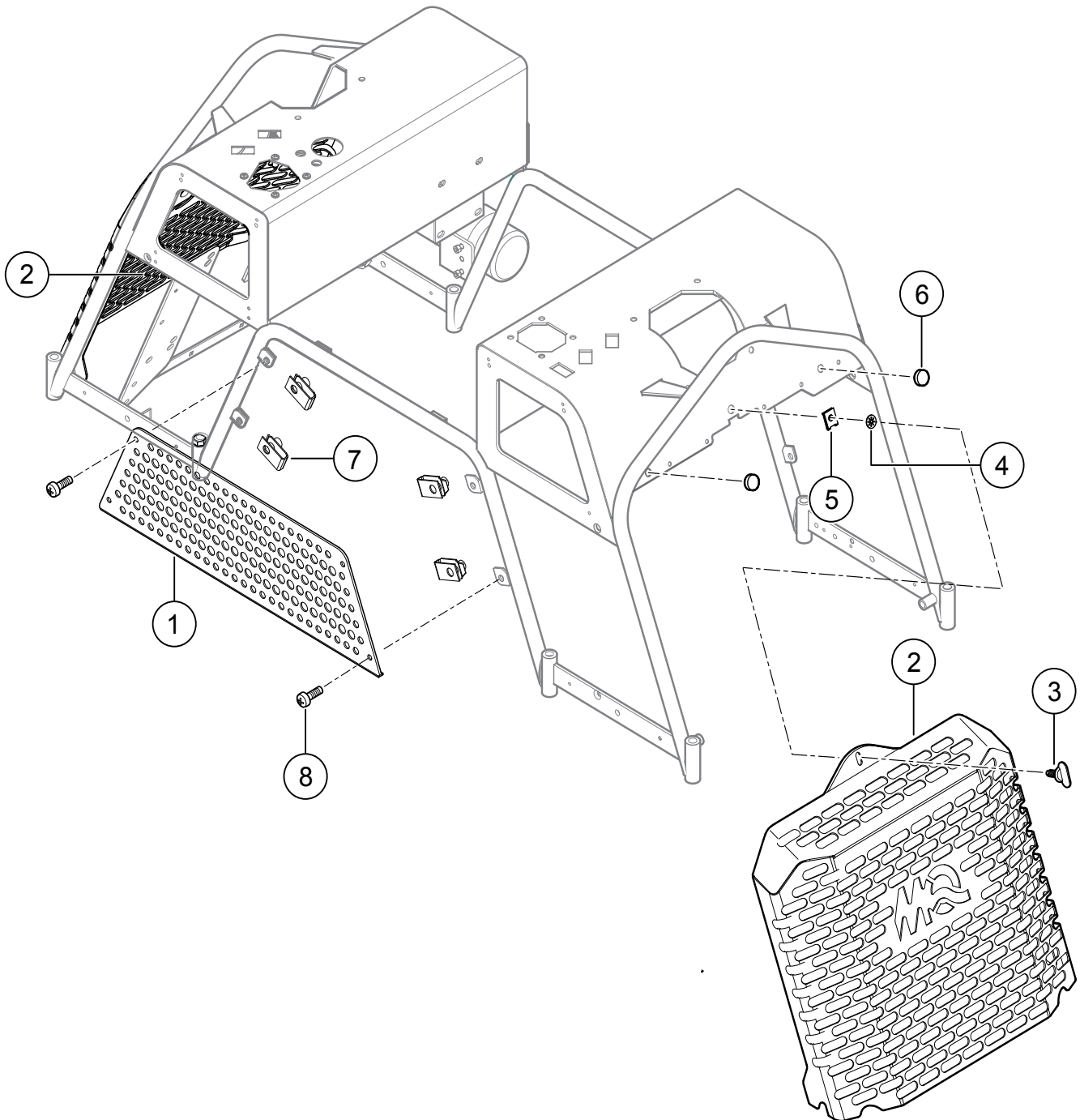
LIGHT ASSY.



LIGHT ASSY.

| <u>NO.</u> | <u>PART NO.</u> | <u>PART NAME</u> | <u>QTY.</u> | <u>REMARKS</u> |
|------------|-----------------|-------------------------------|-------------|----------------|
| 1 | 22347 | LIGHT, HELLA 50W BOTTOM MOUNT | 6 | |
| 2 | 22420 | BRACKET,RIDER OP LIGHTS | 4 | |
| 3 | 8087 | SCREW, HHC 1/2-13 X 4" | 8 | |

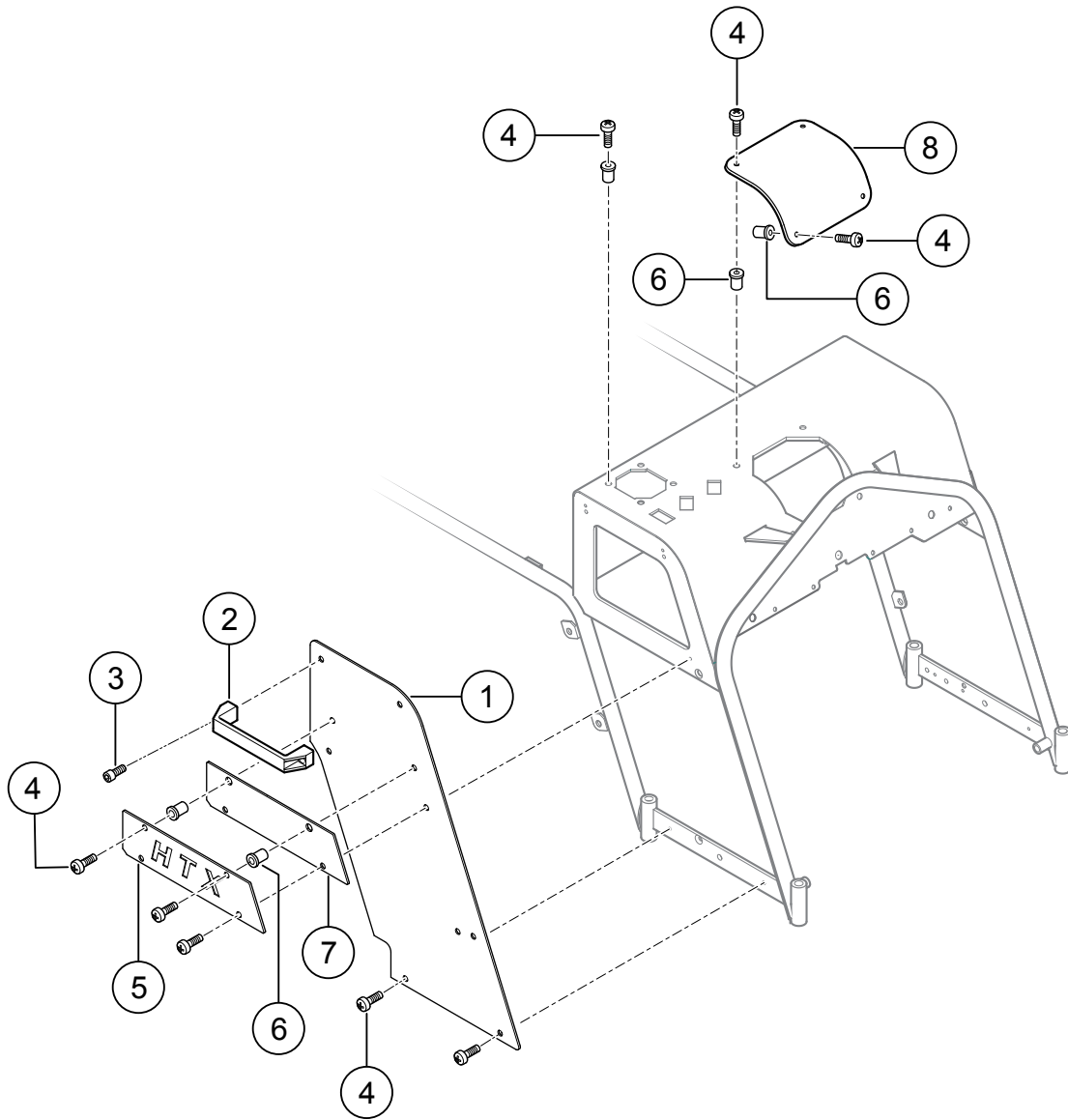
FRONT AND SIDE GUARD ASSY.



FRONT AND SIDE GUARD ASSY.

| <u>NO.</u> | <u>PART NO.</u> | <u>PART NAME</u> | <u>QTY.</u> | <u>REMARKS</u> |
|------------|-----------------|----------------------------------|-------------|----------------|
| 1 | 32059 | PANEL, SEATFRAME FRONT CENTER | 1 | |
| 2 | 22367 | GUARD, HYD RIDER | 2 | |
| 3 | 21893 | SCREW, FAST LEAD | 2 | |
| 4 | 21986 | WASHER, FAST LEAD-STAINLESS | 2 | |
| 5 | 21894 | CLIP, FAST LEAD | 2 | |
| 6 | 21597 | BUMPER, STEM, 1.0"D X .5"S X 31" | 2 | |
| 7 | 11534 | NUT, "U" TYPE, 1/4-20 | 4 | |
| 8 | 21575 | SCREW, SHC 5/16-18 X 3/4" | 4 | |

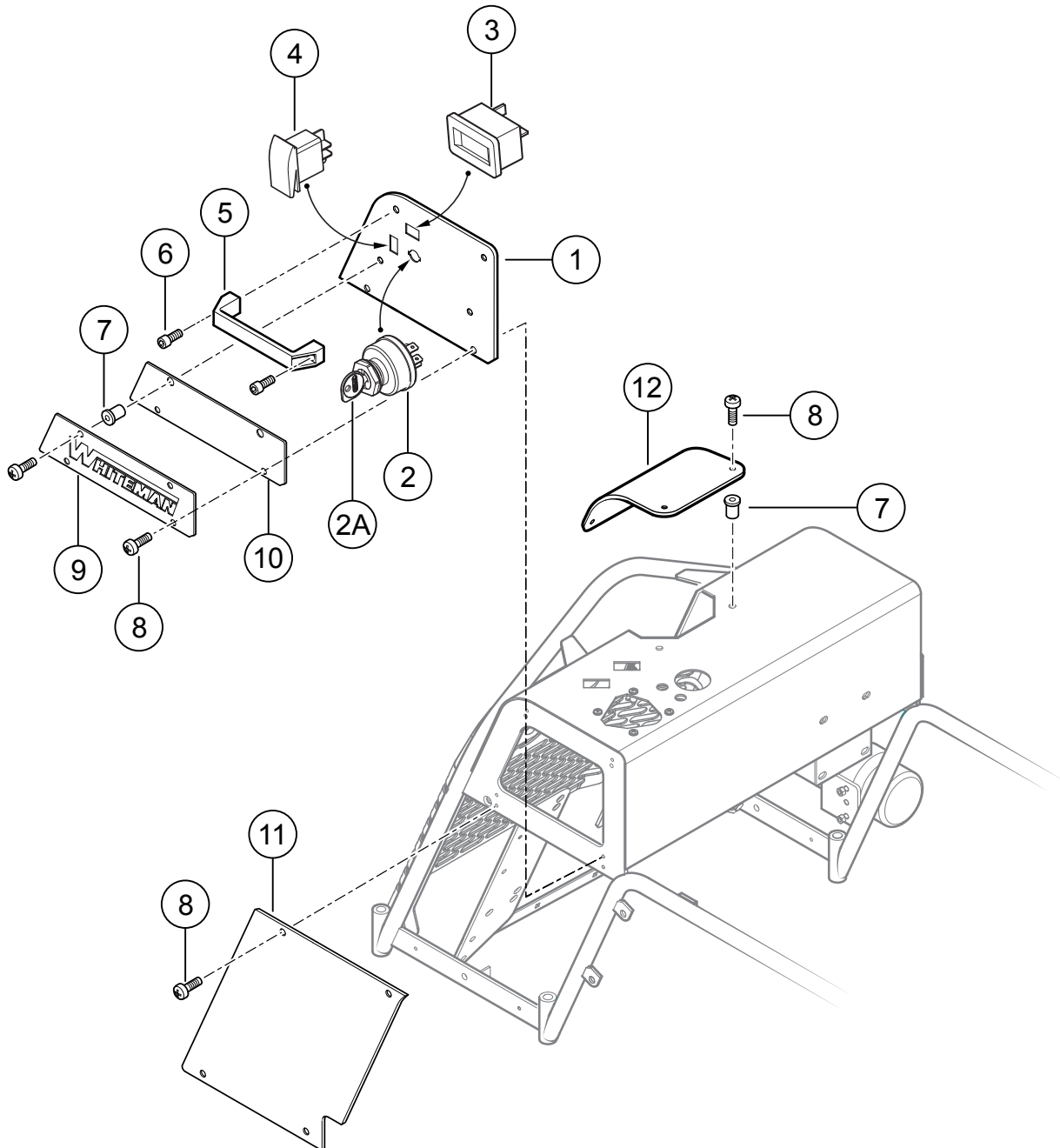
LEFT FRONT PANEL ASSY.



LEFT FRONT PANEL ASSY.

| <u>NO.</u> | <u>PART NO.</u> | <u>PART NAME</u> | <u>QTY.</u> | <u>REMARKS</u> |
|------------|-----------------|-------------------------------|-------------|----------------|
| 1 | 20675 | PANEL, SEATFRAME FRONT LEFT | 1 | |
| 2 | 20674 | HANDLE, GRAB | 1 | |
| 3 | 21575 | SCREW, SHC 5/16-18 X 3/4" | 2 | |
| 4 | 12287 | SCREW, THP 1/4-20 X 3/4" SS | AR | |
| 5 | 32055 | PANEL, SIDE TRIM "HTX" | 1 | |
| 6 | 19266 | NUT, BLIND 1/4-20 X .027-.165 | AR | |
| 7 | 32057 | PLATE, TRIM BACKING B, HTX | 1 | |
| 8 | 20693 | PANEL, RADIATOR COVER | 1 | |

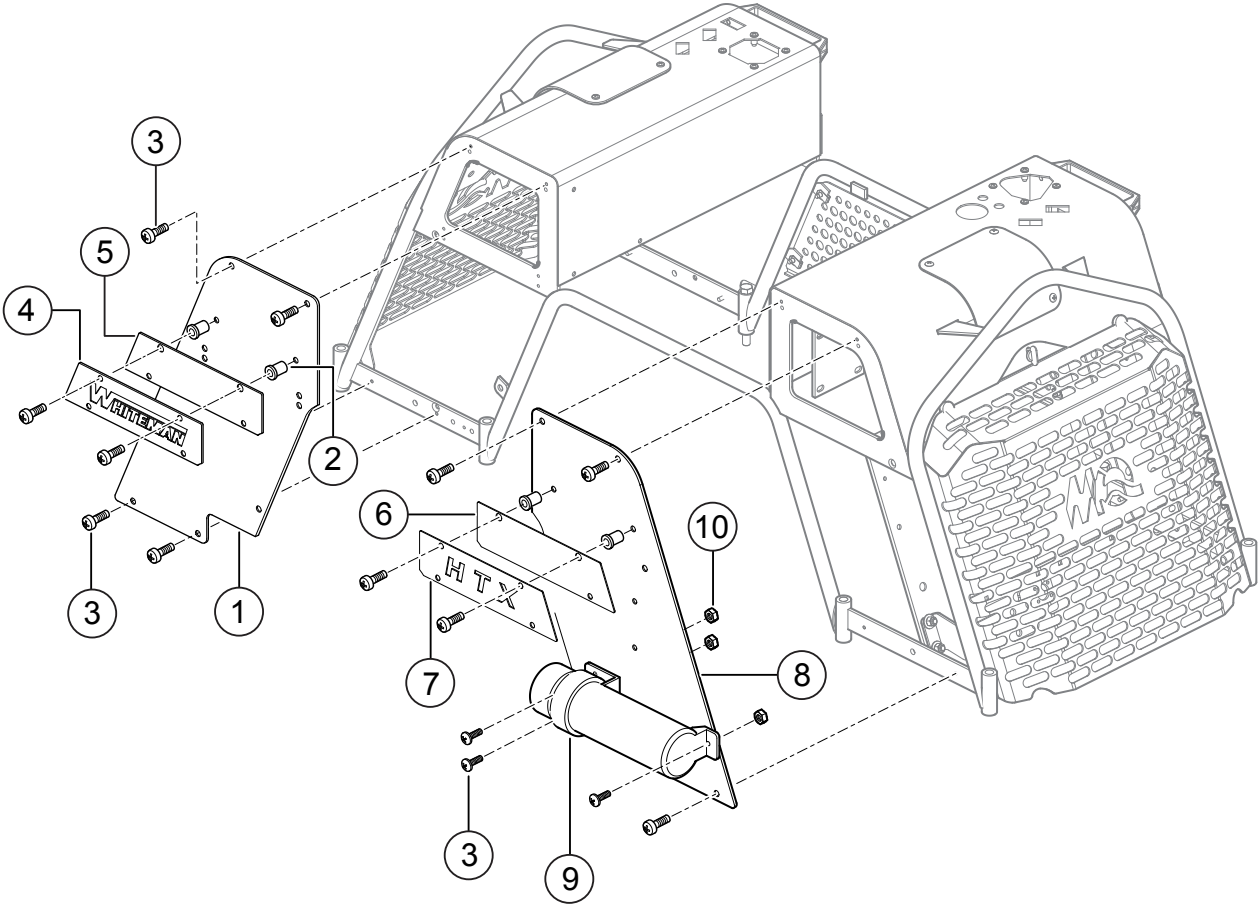
RIGHT FRONT PANEL ASSY.



RIGHT FRONT PANEL ASSY.

| <u>NO.</u> | <u>PART NO.</u> | <u>PART NAME</u> | <u>QTY.</u> | <u>REMARKS</u> |
|------------|-----------------|------------------------------------|-------------|---------------------|
| 1 | 32058 | PANEL, SEAT FRAME, UPPER FRONT RT | 1 | |
| 2 | 406017 | SWITCH, IGNITION, KEYED..... | 1..... | INCLUDES ITEMS W/\$ |
| 2A\$ | 406017-1 | KEY/ IGNITION SWITCH | 1 | |
| 3 | 29640 | HOUR METER, SENDER RECT FLUSH MT. | 1 | |
| 4 | 406000 | SWITCH, ROCKER | 1 | |
| 5 | 20674 | HANDLE, GRAB | 1 | |
| 6 | 21575 | SCREW, SHC 5/16-18 X 3/4" | 2 | |
| 7 | 19266 | NUT, BLIND 1/4-20 X .027-.165 | AR | |
| 8 | 12287 | SCREW, THP 1/4-20 X 3/4" SS | AR | |
| 9 | 32054 | PANEL, SIDE TRIM "WHITEMAN" | 1 | |
| 10 | 32056 | PLATE, TRIM BACKING A, | 1 | |
| 11 | 22781 | PANEL, SEAT FRAME, FRT LOWER RIGHT | 1 | |
| 12 | 20693 | PANEL, RADIATOR COVER | 1 | |

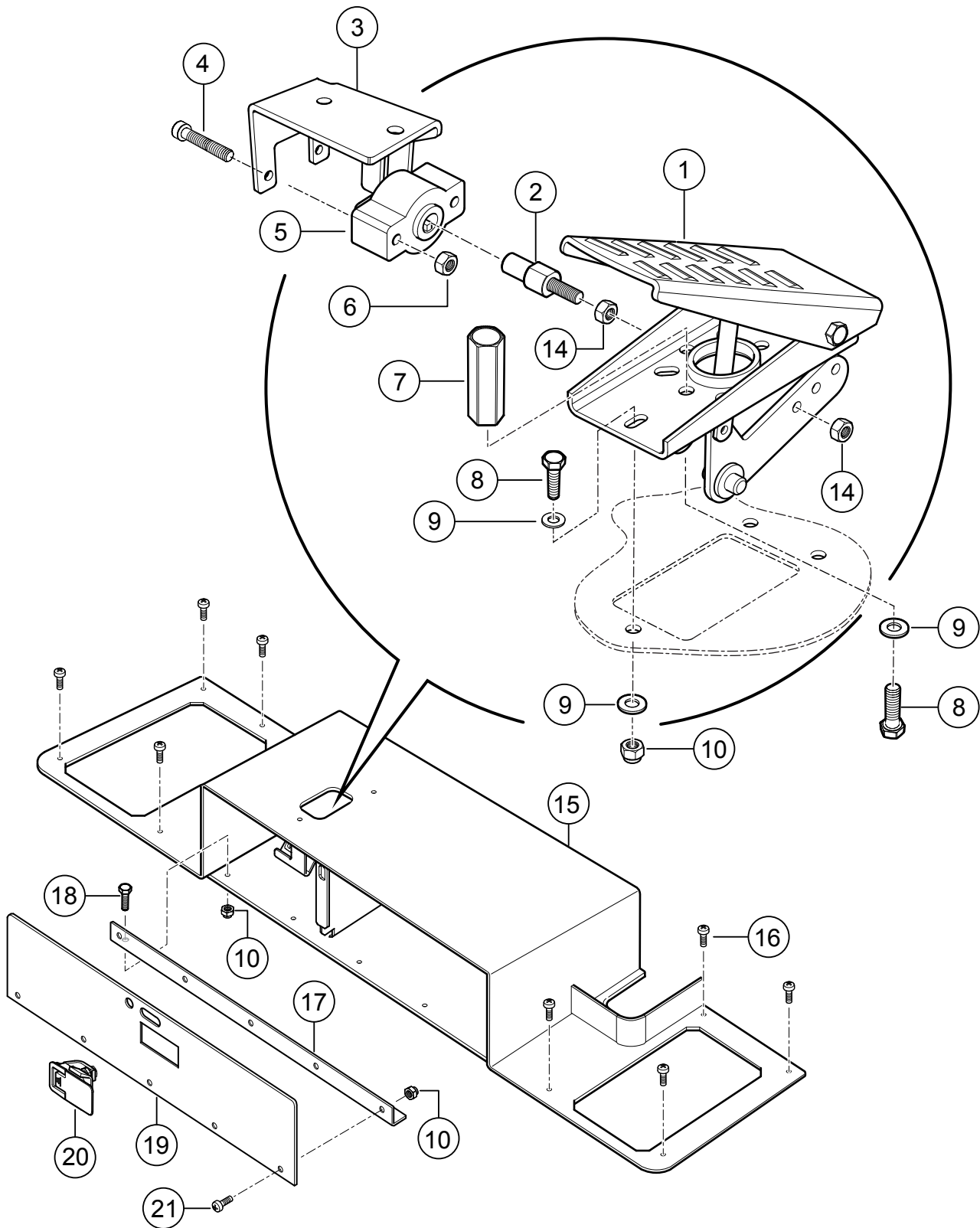
REAR PANEL ASSY.



REAR PANEL ASSY.

| <u>NO.</u> | <u>PART NO.</u> | <u>PART NAME</u> | <u>QTY.</u> | <u>REMARKS</u> |
|------------|-----------------|-------------------------------|-------------|----------------|
| 1 | 22729 | PANEL, REAR, SEAT FRAME | 1 | |
| 2 | 19266 | NUT, BLIND 1/4-20 X .027-.165 | AR | |
| 3 | 12287 | SCREW, THP 1/4-20 X 3/4" SS | AR | |
| 4 | 32054 | PANEL, SIDE TRIM "WHITEMAN" | 1 | |
| 5 | 32056 | PLATE, TRIM BACKING A, | 1 | |
| 6 | 32057 | PLATE, TRIM BACKING B, | 1 | |
| 7 | 32055 | PANEL, SIDE TRIM "HTX" | 1 | |
| 8 | 22413 | PANEL, SEATFRAME REAR RIGHT | 1 | |
| 9 | 23297 | MANUAL HOLDER, PICTOGRAPH | 1 | |
| 10 | 10024 | NUT, NYLOC 1/4-20 | AR | |

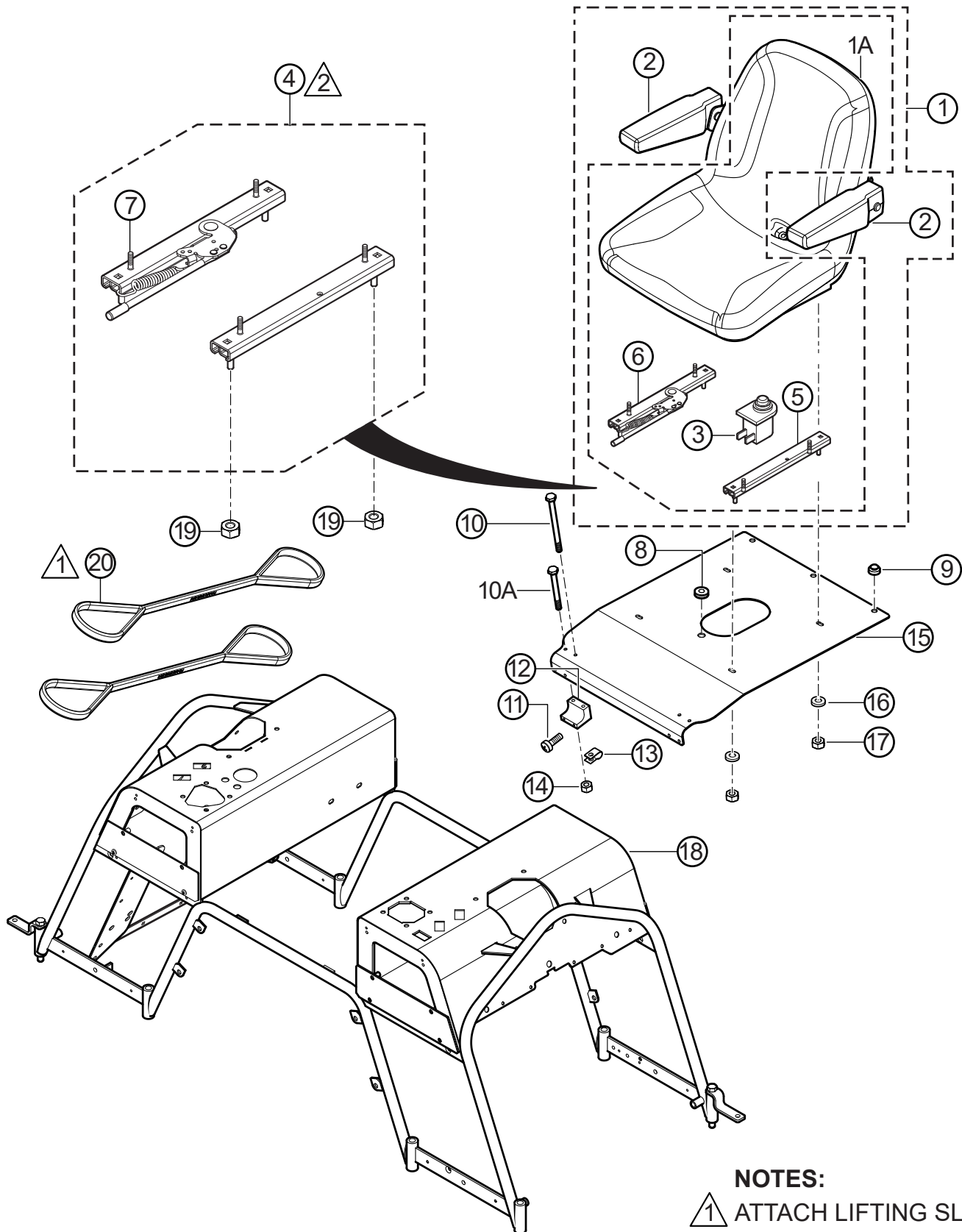
PLATFORM ASSY.



PLATFORM ASSY.

| <u>NO.</u> | <u>PART NO.</u> | <u>PART NAME</u> | <u>QTY.</u> | <u>REMARKS</u> |
|------------|-----------------|------------------------------|-------------|----------------|
| 1 | 22772 | PEDAL, HYDRAULIC PUMP | 1 | |
| 2 | 22764 | SHAFT, FOOT PEDAL SENSOR | 1 | |
| 3 | 22765 | MOUNT, FOOT PEDAL SENSOR | 1 | |
| 4 | 923199 | SCREW, SHC 8/32 1-1/4" | 2 | |
| 5 | 22710 | SENSOR, FOOT PEDAL | 1 | |
| 6 | 13287 | NUT, NYLOC 8/32 | 2 | |
| 7 | 22883 | STOP, FOOT PEDAL | 1 | |
| 8 | 0730 | SCREW, HHC 1/4-20 X 1" | 4 | |
| 9 | 0948 | WASHER, FLAT SAE 1/4 | 4 | |
| 10 | 10024 | NUT, NYLOC 1/4-20 | 13 | |
| 14 | 6904 | NUT, HEX FINISH 1/4-28 ZINC | 2 | |
| 15 | 20720 | PLATFORM, OPERATOR | 1 | |
| 16 | 12287 | SCREW, THF 1/4-20 X 3/4" SS | 14 | |
| 17 | 20692 | HINDGE, TOOLBOX ACCESS PANEL | 1 | |
| 18 | 0131 A | SCREW, HHC 1/4-20 X 3/4" | 5 | |
| 19 | 20698 | DOOR, PLATFORM | 1 | |
| 20 | 560020 | LATCH, REAR SAW ACCESS PANEL | 1 | |
| 21 | 21611 | SCREW, THP 1/4-20 X 5/8" SS | 5 | |

SEAT FRAME ASSY.



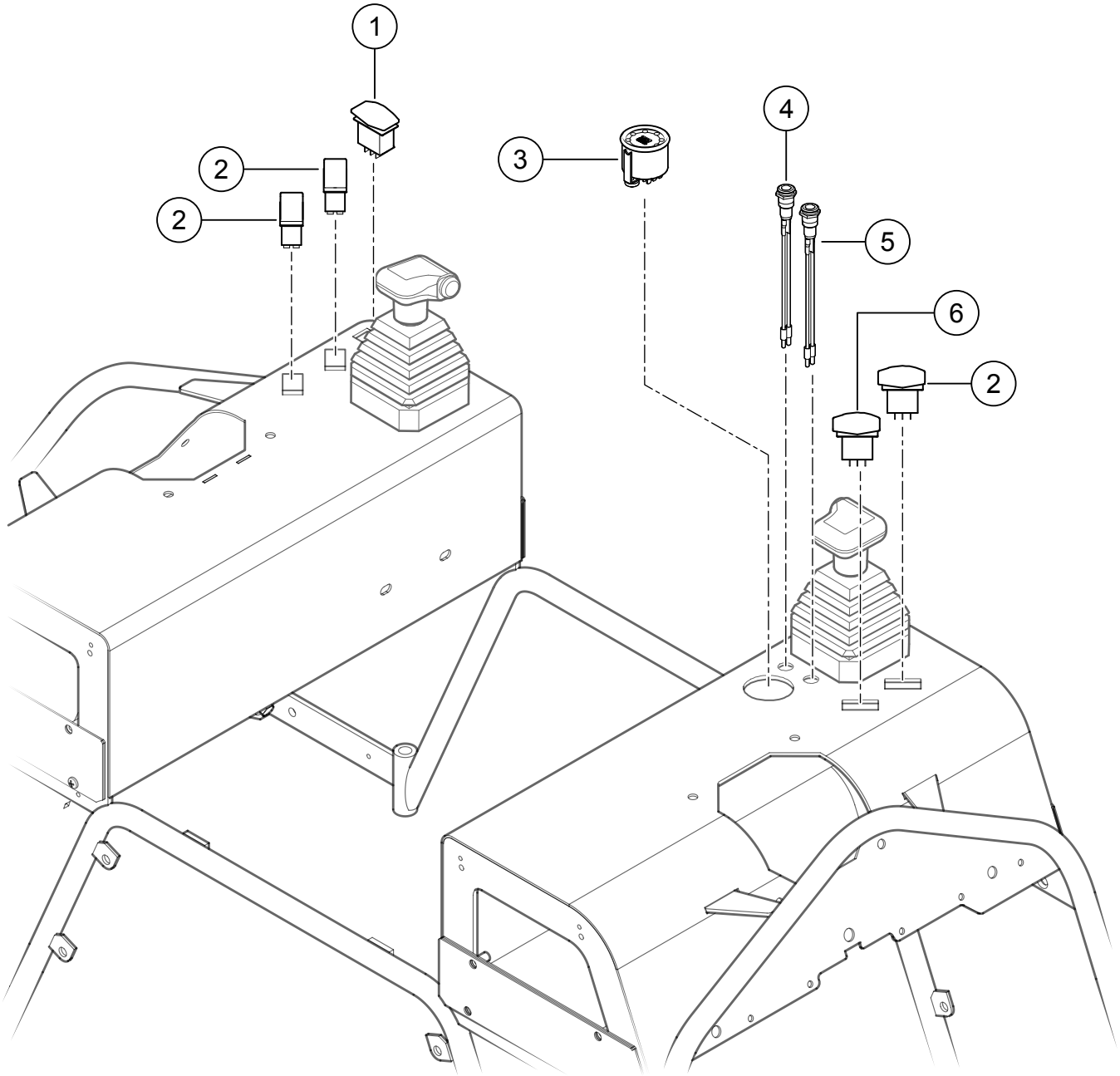
NOTES:

- △ 1 ATTACH LIFTING SLING.
- △ 2 MICHIGAN SEAT ONLY.

SEAT FRAME ASSY.

| <u>NO.</u> | <u>PART NO.</u> | <u>PART NAME</u> | <u>QTY.</u> | <u>REMARKS</u> |
|------------|-----------------|---|-------------|--|
| 1 | 21852-S | SEAT, MICHIGAN, ADJUSTABLE W/ ARMS.....1..... | 1 | INCLUDES ITEMS W/\$ NO LONGER AVAILABLE |
| 1 | 32960-SK | SEAT, SEARS, ADJUSTABLE W/ ARMS.....1..... | 1 | INCLUDES ITEMS W/@ |
| 1A\$ | 21860 | SEAT, MICHIGAN W/O ARMS.....1..... | 1 | NO LONGER AVAILABLE |
| 1A@ | 32963-SK | SEAT, SEARS, ADJUSTABLE W/O ARMS.....1..... | 1 | INCLUDES ITEMS W/% |
| 2\$ | 21868 | ARM REST KIT, MICHIGAN | 1 | |
| 2@ | 34792 | ARM REST KIT, SEARS | 1 | |
| 3\$ | 21870 | KILL SWITCH, DELTA SYSTEMS | 1 | REPLACES P/N 32980 |
| 3@% | 32962 | KILL SWITCH, SEARS | 1 | |
| 4\$ | 21865 | SEAT ADJUSTER KIT, MICHIGAN | 1 | INCLUDES ITEMS W/# |
| 5@% | 32964 | SEAT, ADJUSTER LH, SEARS | 1 | |
| 6@% | 32965 | SEAT, ADJUSTER RH, SEARS | 1 | |
| 7# | 0400 B | SCREW, HHC 5/16-8 X 1/2" | 4 | |
| 8 | 19468 | GROMMET, 3/16 X 1/2" ID X 1-1/4" OD | 1 | |
| 9 | 21597 | BUMPER, STEM 1.0"D X .5"S X .31" | 7 | |
| 10 | 4538 | SCREW, HHC 1/4-20 X 2-1/2" GR 5 | 2 | |
| 10A | 20909 | SCREW, HHC 1/4-20 X 2" | 2 | |
| 11 | 12287 | SCREW, THP 1/4-20 X 3/4 SS | 4 | |
| 12 | 20685 | BLOCK, OPERATOR SEAT PIVOT | 2 | |
| 13 | 8125 | CLAMP, HOSE 5/8" | 2 | |
| 14 | 10024 | NUT, NYLOC 1/4-20 | 4 | |
| 15 | 22728 | PLATFORM, OPERATOR SEAT VENTED | 1 | |
| 16 | 0300 B | WASHER, FLAT SAE 5/16 | 4 | |
| 17 | 5283 | NUT, NYLON 5/16-18 | 4 | |
| 18 | 22364 | SEAT FRAME W/A | 1 | |
| 19 | 49071 | NUT, FLANGED, 5/16-18 SERRATED | 4 | |
| 20 | 23165 | SLING, LIFTING | 2 | |

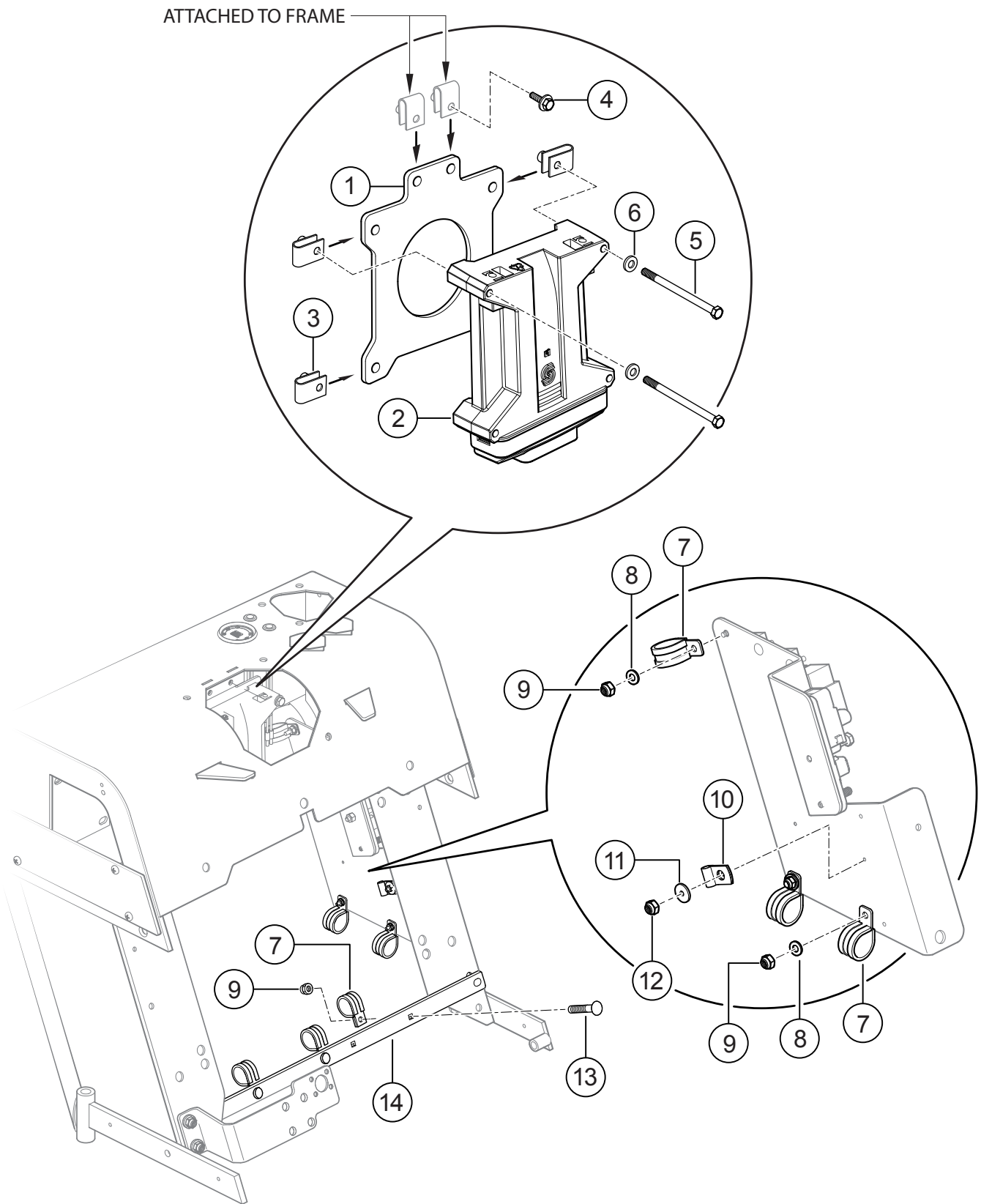
INDICATORS - SWITCHES - METER ASSY.



INDICATORS - SWITCHES - METER ASSY.

| <u>NO.</u> | <u>PART NO.</u> | <u>PART NAME</u> | <u>QTY.</u> | <u>REMARKS</u> |
|------------|-----------------|--|-------------|----------------|
| 1 | 22703 | SWITCH, LKG,W/GREEN LED PITCH MODE | 1 | |
| 2 | 21470 | SWITCH, ON-OFF-ON PITCH CNTRL ONLY | 3 | |
| 3 | 22408 | GAUGE, MULTI-LOFA | 1 | |
| 4 | 22212 | LIGHT ASSY., LED INDICT RED 5/8 DIA | 1 | |
| 5 | 22213 | LIGHT ASSY., LED INDICT YELLOW 5/8 DIA | 1 | |
| 6 | 22702 | SWITCH, MOMENTARY W/GRN LED CRUISE | 1 | |

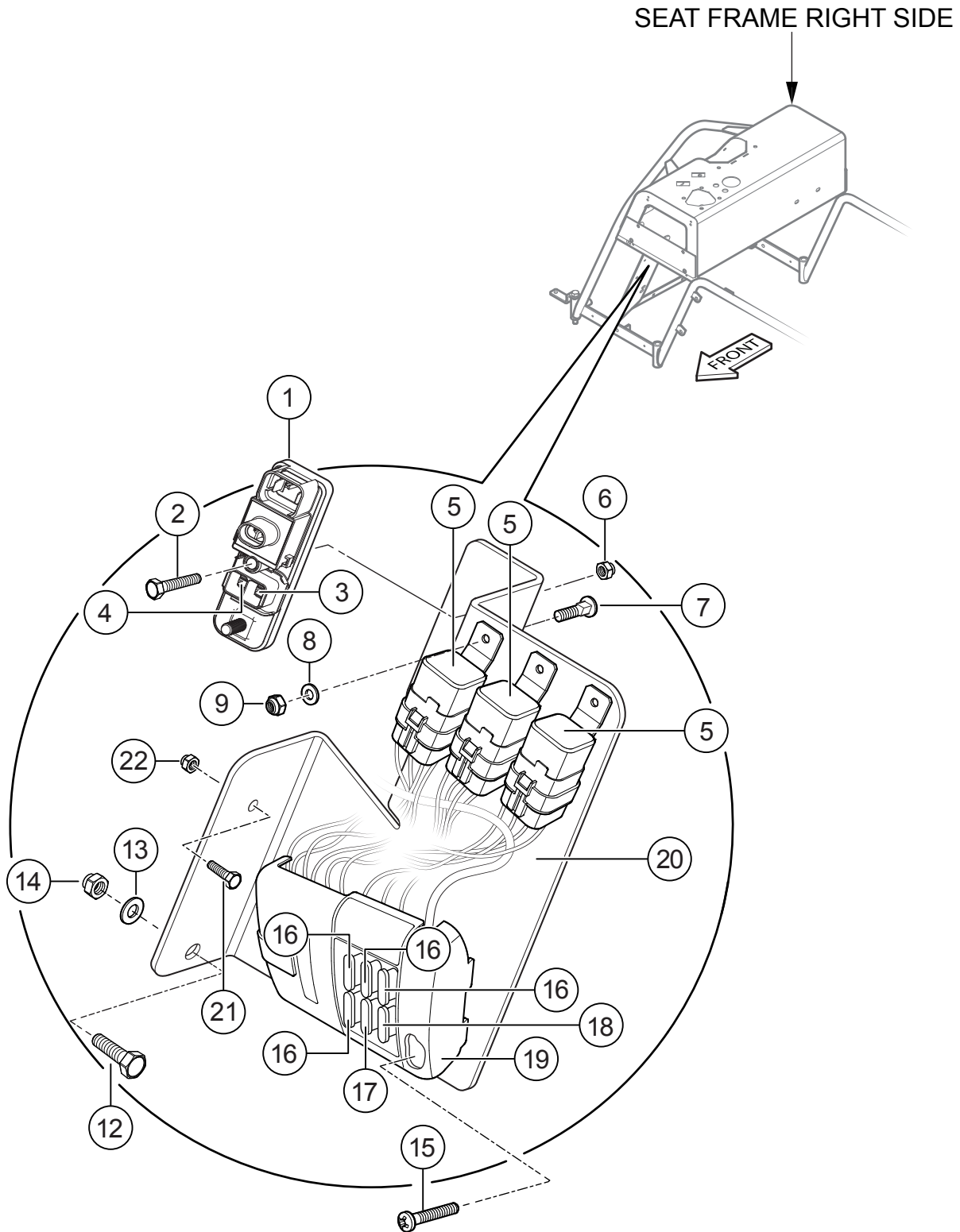
CONTROLLER ASSY.



CONTROLLER ASSY.

| <u>NO.</u> | <u>PART NO.</u> | <u>PART NAME</u> | <u>QTY.</u> | <u>REMARKS</u> |
|------------|-----------------|----------------------------------|-------------|----------------|
| 1 | 22758 | MOUNT, MCU | 1 | |
| 2 | 22706 | CONTROLLER, MC 050-20..... | 1..... | NOT PROGRAMMED |
| 3 | 11534 | NUT, "U" TYPE 1/4-20 | 6 | |
| 4 | 49048 | SCREW, HHFS 1/4-20 X 3/4" GR5 | 3 | |
| 5 | 4538 | SCREW, HHC 1/4-20 X 2-1/2" GR5 | 4 | |
| 6 | 0948 | WASHER, FLAT SAE 1/4 | 4 | |
| 7 | 21574 | CLAMP, LOOP CUSH'D #16 0.25 HOLE | 6 | |
| 8 | 10136 | WASHER, FLAT SAE 3/8 | 2 | |
| 9 | 10024 | NUT, NYLOC 1/4-20 | 5 | |
| 10 | 8128 | CLAMP, HOSE SUPPORT 5/16 | 1 | |
| 11 | 933201 | WASHER, FENDER 3/16 X 3/4 ZINC | 1 | |
| 12 | 13287 | NUT, NYLOC 8-32 | 1 | |
| 13 | 29712 | BOLT, CARRIAGE 1/4-20 X 3/4" | 3 | |
| 14 | 22766 | CHANNEL, WIRE ROUTING | 1 | |

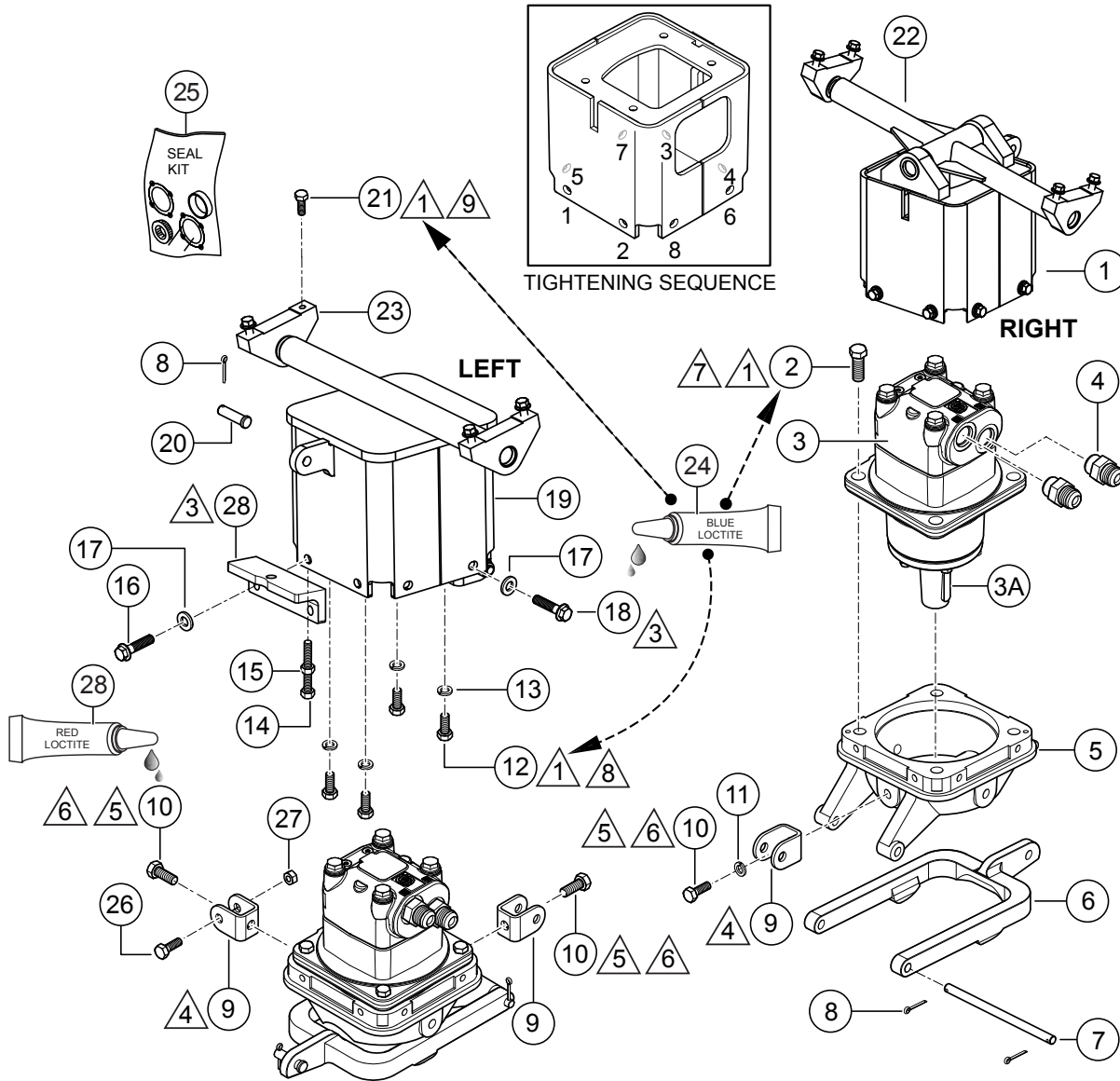
RELAYS - FUSES ASSY.



RELAYS - FUSES ASSY.

| <u>NO.</u> | <u>PART NO.</u> | <u>PART NAME</u> | <u>QTY.</u> | <u>REMARKS</u> |
|------------|-----------------|----------------------------------|-------------|----------------|
| 1 | 22724 | MODULE, POWER RELAY | 1 | |
| 2 | 20909 | SCREW, HHC 1/4-20 X 2 | 1 | |
| 3 | 22725-200 | FUSE, 20 AMP J CASE | 1 | |
| 4 | 22725-600 | FUSE, 60 AMP J CASE | 1 | |
| 5 | 12017 | RELAY KILL | 3 | |
| 6 | 10024 | NUT, NYLOC 1/4-20 | 5 | |
| 7 | 22131 | BOLT, CARRIAGE 10-32 X 3/4" ZINC | 3 | |
| 8 | 2203 | WASHER, FLAT #10 | 6 | |
| 9 | 10019 | NUT, NYLOC 10-32 | 3 | |
| 12 | 0205 | SCREW, HHC 3/8-16 X 1.0" | 1 | |
| 13 | 10136 | WASHER, FLAT SAE 3/8 | 2 | |
| 14 | 10133 | NUT, NYLOC 3/8-16 | 1 | |
| 15 | 923118 | SCREW, SHC 8-32 x 1" NP | 4 | |
| 16 | 23284-200 | FUSE, 20 AMP ATC/ATO | 4 | |
| 17 | 23284-050 | FUSE, .5 AMP ATC/ATO | 1 | |
| 18 | 23284-075 | FUSE, 7.5 AMP ATC/ATO | 1 | |
| 19 | 22426 | BLOCK, TERMINAL FUSE | 1 | |
| 20 | 22759 | PANEL, ELECTRICAL | 1 | |
| 21 | 49048 | SCREW, HHFS 1/4-20 X 3/4" GR5 | 1 | |
| 22 | 10024 | NUT, NYLOC 1/4-20 | 1 | |

PIVOT ASSY.



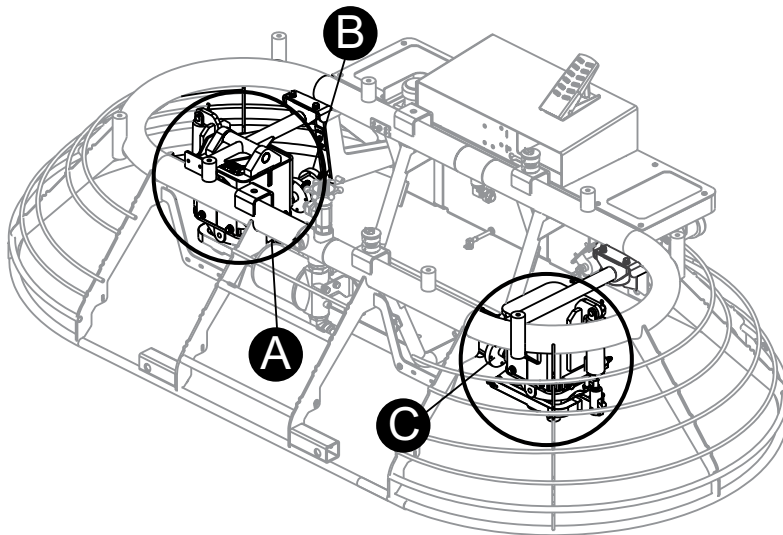
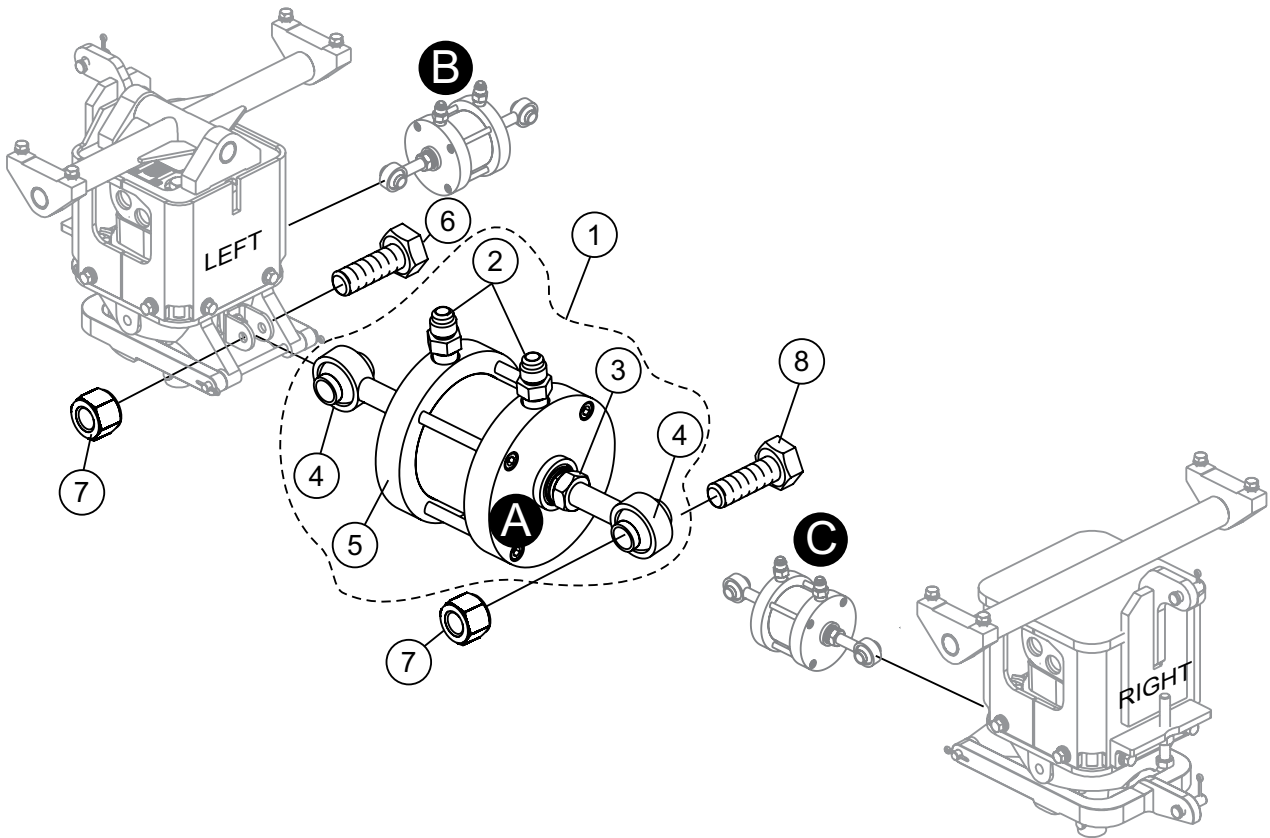
NOTES:

- 1 APPLY BLUE LOCTITE #246.
- 2 SET PITCH STOP USING .030" FEELER GAUGE WITH BLADES FLAT & YOKE RESTING ON THRUST COLLAR.
APPLY MINIMAL AMOUNT OF LPS ANTI-SEIZE GREASE TO THREADS OF SCREW (ITEMS 18).
- 3 HAND START SCREWS. FOLLOWING TIGHTENING SEQUENCE (SEE DIAGRAM ABOVE). TORQUE SCREW ASSEMBLY (FIRST PASS) TO A VALUE OF 21 FT-LBS (28.47 N.m). FOLLOW SAME SEQUENCE FOR FINAL TORQUE OF 41 FT-LBS (55.59 N.m).
- 4 CLEAN WITH NON-PETROLEUM BASE CLEANER BEFORE INSTALLING ITEMS 9 AND 10.
- 5 APPLY RED LOCTITE #271.
- 6 TORQUE BOLTS TO 57FT-LB (77.28 N.m.)
- 7 TORQUE BOLTS TO 125FT-LB (169.48 N.m.)
- 8 TORQUE BOLTS TO 33FT-LB (44.74 N.m.)
- 9 TORQUE BOLTS TO 23FT-LB (31.18 N.m.)

PIVOT ASSY.

| <u>NO.</u> | <u>PART NO.</u> | <u>PART NAME</u> | <u>QTY.</u> | <u>REMARKS</u> |
|------------|-----------------|--|-------------|---------------------|
| 1 | 22297 | HOUSING W/A, RH DRIVER MOTOR | 1 | |
| 2 | 21376 | SCREW, HHC 5/8-11 X 1-1/2 | 8 | |
| 3 | 21855 | MOTOR, HYD SAUER-DANFOSS..... | 2..... | INCLUDES ITEMS W/\$ |
| 3A\$ | 11009878 | SHAFT/BEARING, HYD SAUER-DANFOSS | 2 | |
| 4 | 21096 | FITTING, STR 10MJ-12MO | 4 | |
| 5 | 20643 | HOUSING, LOWER MOTOR HSG | 2 | |
| 6 | 22738 | YOKE, HTX & STX, PITCH - MACHINED | 2 | |
| 7 | 21022 | PIN, YOKE PIVOT | 2 | |
| 8 | 0183 | PIN, COTTER 1/8D X 1-1/4 | 8 | |
| 9 | 20787 | CLEVIS, STEERING CYLINDER | 3 | |
| 10 | 2691 | SCREW, SCREW, HHC 1/2-13 X 1 | 3 | |
| 12 | 32476 | SCREW, HHC 3/8-16 X 1-1/4 | 4 | |
| 14 | 25002 | SCREW, HHC 1/2-13 X 3-1/2 TAP | 2 | |
| 15 | 968011 | NUT, HEX FINNISH 1/2-13 | 2 | |
| 16 | 32009 | SCREW, HHF 3/8-16 X 1.5 GRD 8 | 4 | |
| 17 | 21707 | WASHER, FLAT 3/8 NORDLOC | 16 | |
| 18 | 22228 | SCREW, HHF 3/8-16 X 1.00 GRD 8 | 12 | |
| 19 | 22296 | HOUSING, W/A LH DRIVE MOTOR | 1 | |
| 20 | 22409 | PIN, CLEVIS .50 X 1.50 STEEL ZINC PLTD | 4 | |
| 21 | 22106` | SCREW, HHFS 3/8-16 x 1.25 ZINC | 8 | |
| 22 | 20639 | TRUNION W/A, PIVOT & PITCH | 1 | |
| 23 | 11555 | PIVOT BLOCK ASSY., MOTOR MT W/BUSH | 6 | |
| 24 | 60097 | LOCTITE, BLUE #246 | AR | |
| 25\$ | 151B0161 | SEAL KIT COMPLETE, DRIVE MOTOR | 1 | |
| 26 | 13178 | SCREW, HHC 1/2-13 X 2 1/4--GR5 | 3 | |
| 27 | 10176 | NUT, NYLOC 1/2-13 | 3 | |
| 28 | 19379-014 | LOCTITE, #271, ANAEROBIC | AR | |
| 29 | 32008 | BRACKET, PITCH STOP | 2 | |

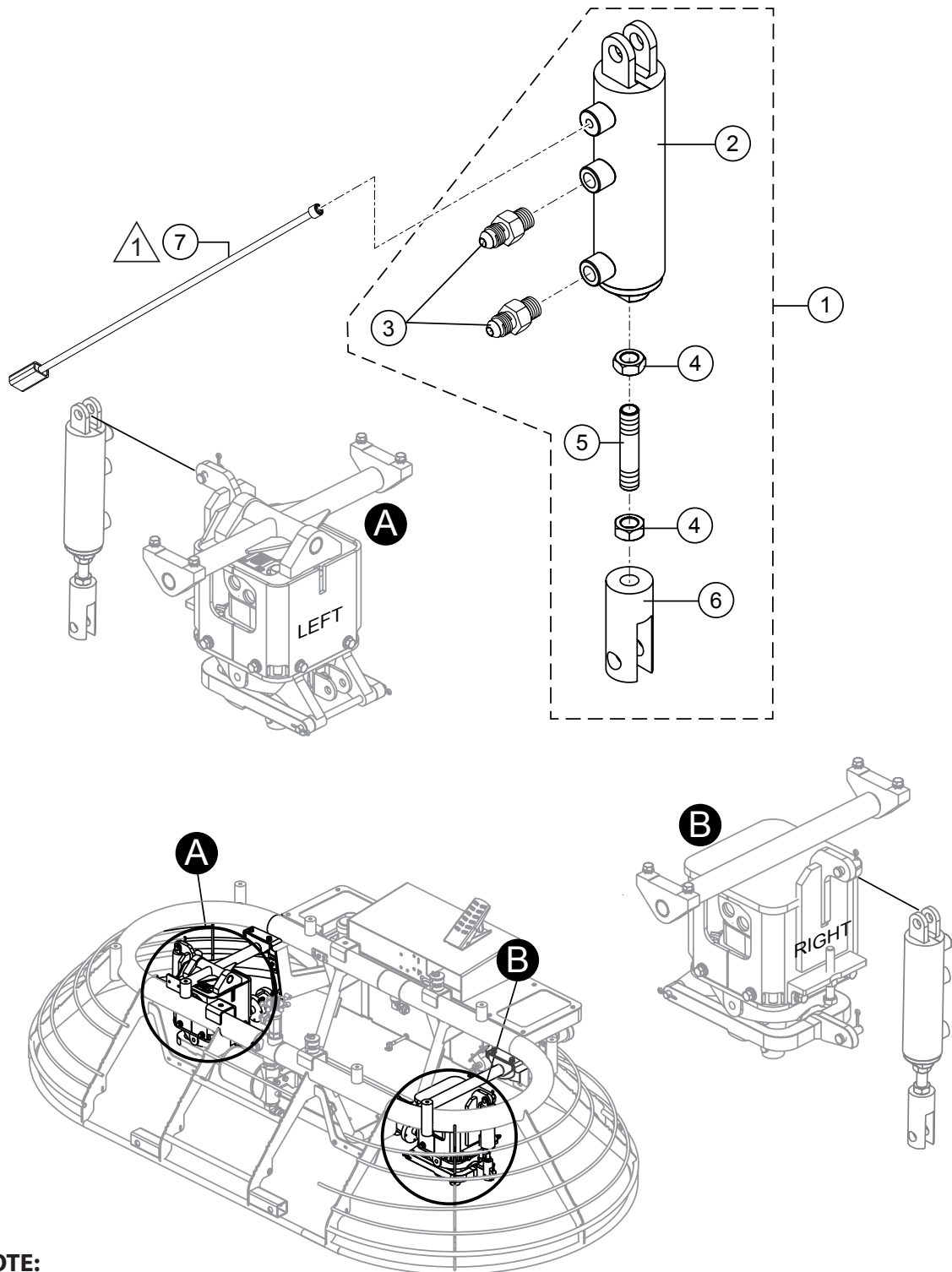
HYDRAULIC STEERING ASSY.



HYDRAULIC STEERING ASSY.

| <u>NO.</u> | <u>PART NO.</u> | <u>PART NAME</u> | <u>QTY.</u> | <u>REMARKS</u> |
|------------|-----------------|--|-------------|--------------------|
| 1 | 20140 | HYD. STEERING CYLINDER COMPLETE | 3..... | INCLUDES ITEMS W/# |
| 2# | 11725 | FITTING STR 6MJ-1/4 MP | 6 | |
| 3# | 11146 | NUT, HEX JAM 1/2-20 PLATED | 6 | |
| 4# | 21944 | ROD END, 1/2-20 M RH W/CUSTOM BALL | 6 | |
| 5# | 12056 | CYL. 2.5" BORE X 1.5" STROKE X .75 ROD | 3 | |
| 6 | 13178 | SCREW, HHC 1/2-13 X 2 1/4 GR5 | 3 | |
| 7 | 10176 | NUT, NYLOC 1/2-13 | 6 | |
| 8 | 12402 | SCREW, HHC 1/2-13 X 2 1/2 | 3 | |

HYDRAULIC CYLINDER ASSY.



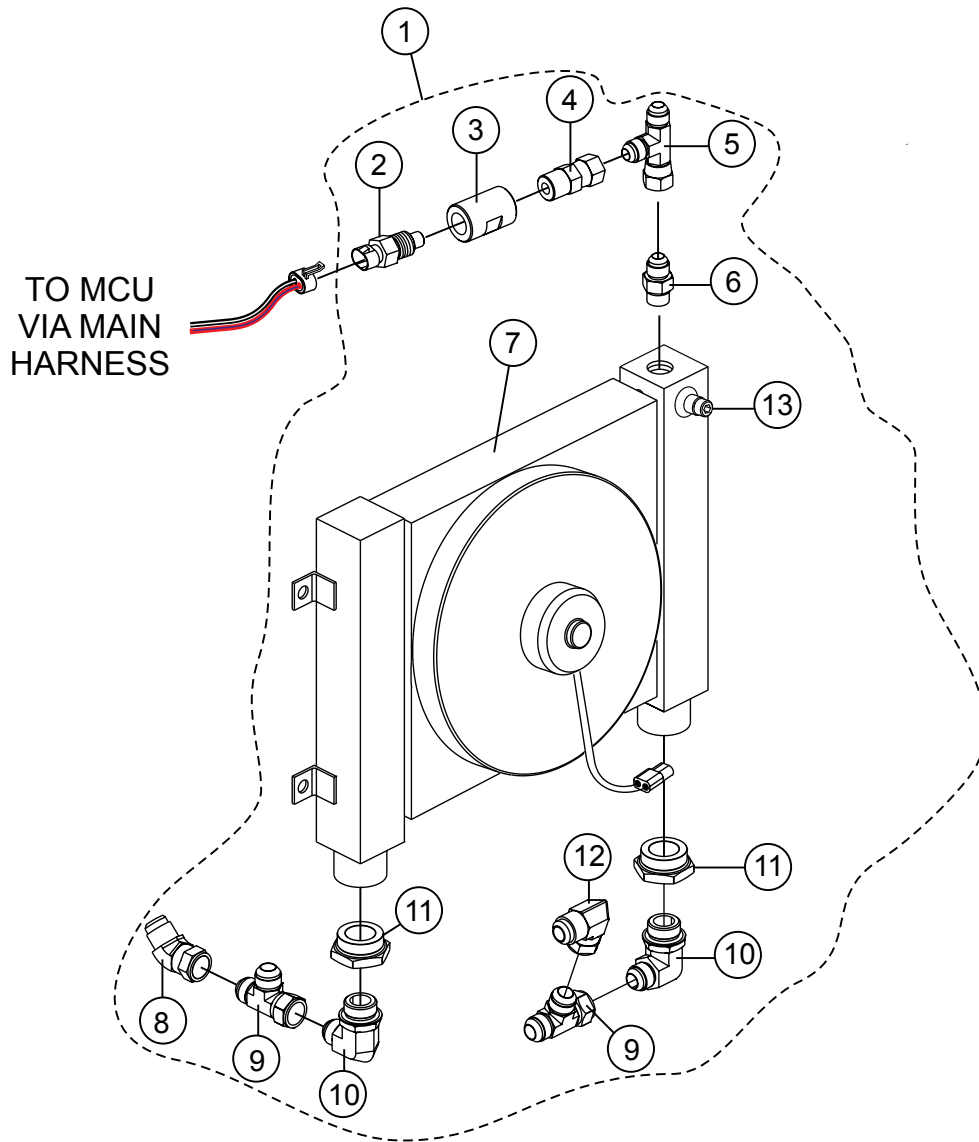
NOTE:

 CONNECTS TO WIRING HARNESS.

HYDRAULIC CYLINDER ASSY.

| <u>NO.</u> | <u>PART NO.</u> | <u>PART NAME</u> | <u>QTY.</u> | <u>REMARKS</u> |
|------------|-----------------|-------------------------------------|-------------|--------------------|
| 1 | 22866 | HYDRAULIC PITCH CYL. COMPLETE | 2..... | INCLUDES ITEMS W/# |
| 2# | 22252 | CYLINDER, POSITION PITCH 1.5 BORE | 2 | |
| 3# | 21095 | FITTING, STR 4MJ-4MO | 4 | |
| 4# | 11146 | NUT, HEX JAM 1/2-20 PLATED | 4 | |
| 5# | 22279 | SCREW, SHS 1/2-20 X 2.50" | 2 | |
| 6# | 23956 | CLEVIS, SERVICE | 1 | |
| 7 | 22681 | WIRE ASSY., SMART CYL. PIGTAIL | 2 | |

HYDRAULIC COOLER ASSY.



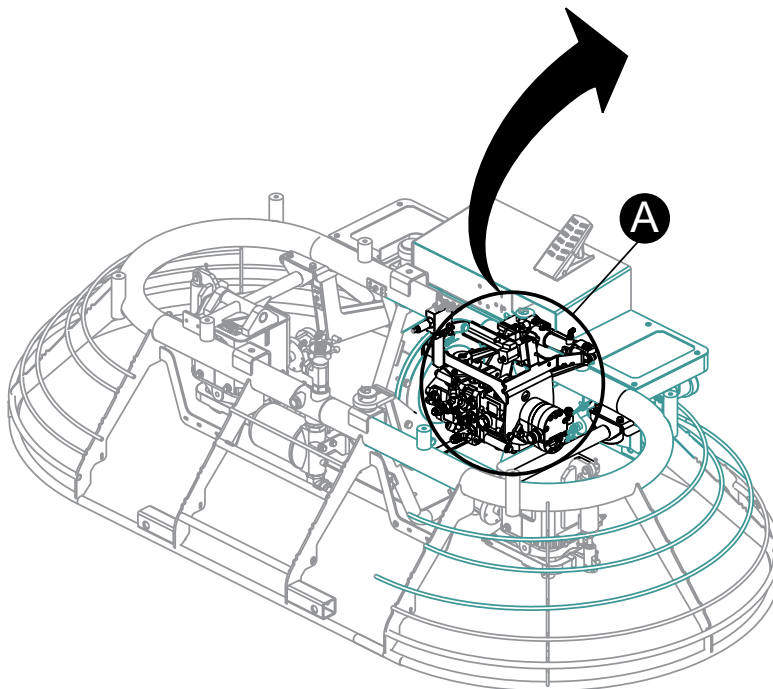
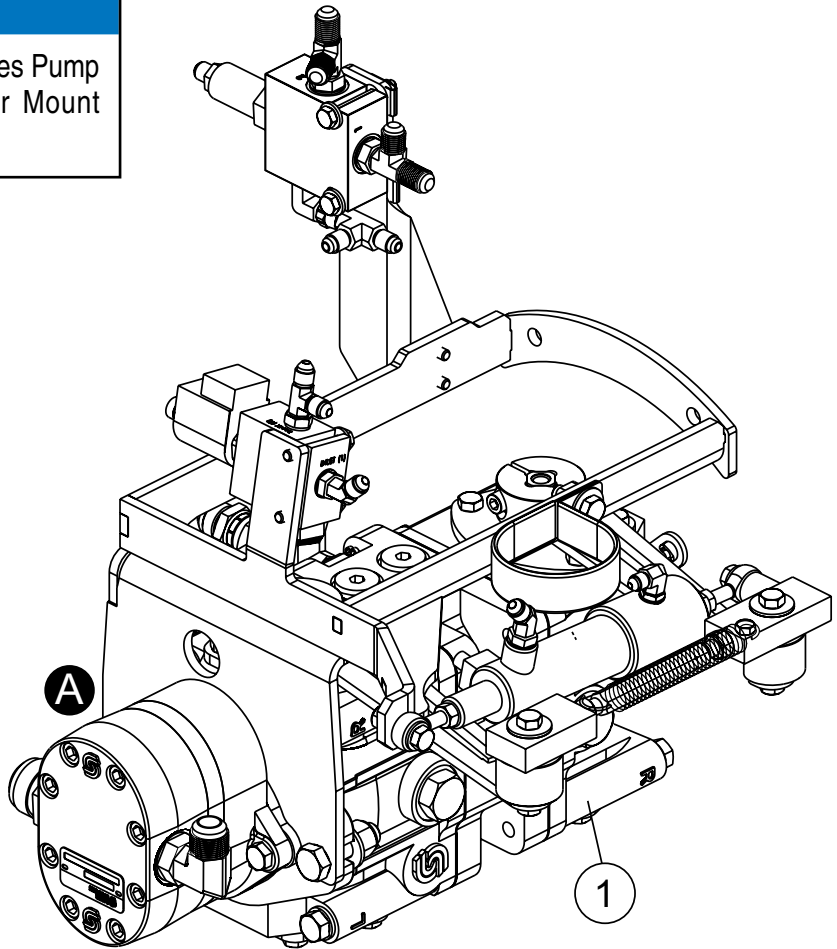
HYDRAULIC COOLER ASSY.

| <u>NO.</u> | <u>PART NO.</u> | <u>PART NAME</u> | <u>QTY.</u> | <u>REMARKS</u> |
|------------|-----------------|------------------------------------|-------------|--------------------|
| 1 | 22859 | COOLER ASSY. COMPLETE | 1..... | INCLUDES ITEMS W/# |
| 2# | 22746 | SENSOR,TEMPERATURE-HYD OIL | 1 | |
| 3# | 22826 | COUPLER,OIL COOLER SENSOR | 1 | |
| 4# | 22825 | FITTING, STR 6FJ x 3/8MP | 1 | |
| 5# | 22830 | FITTING, TEE 6FJ x 6MJ x 6MJ RUN | 1 | |
| 6# | 21985 | FITTING, ORIFICE 6MJ-6MO x .078 | 1 | |
| 7# | 21058 | COOLER, OIL TH TRANSFER MF-30-2-4A | 1 | |
| 8# | 16609 | FITTING, 45 12MJ - 12FJ | 1 | |
| 9# | 22114 | FITTING, TEE 12MJ -12FJ -12MJ | 2 | |
| 10# | 22113 | FITTING, 90 16MO - 12MJ | 2 | |
| 11# | 21060 | FITTING, STR -24MO x -16FO | 2 | |
| 12# | 22799 | FITTING, 90 12FJ x -12MJ | 1 | |
| 13 | 5016 B | FITTING, PLUG 3/8MP HEX SKT HD | 1 | |

PUMP ASSY. COMPLETE

NOTICE

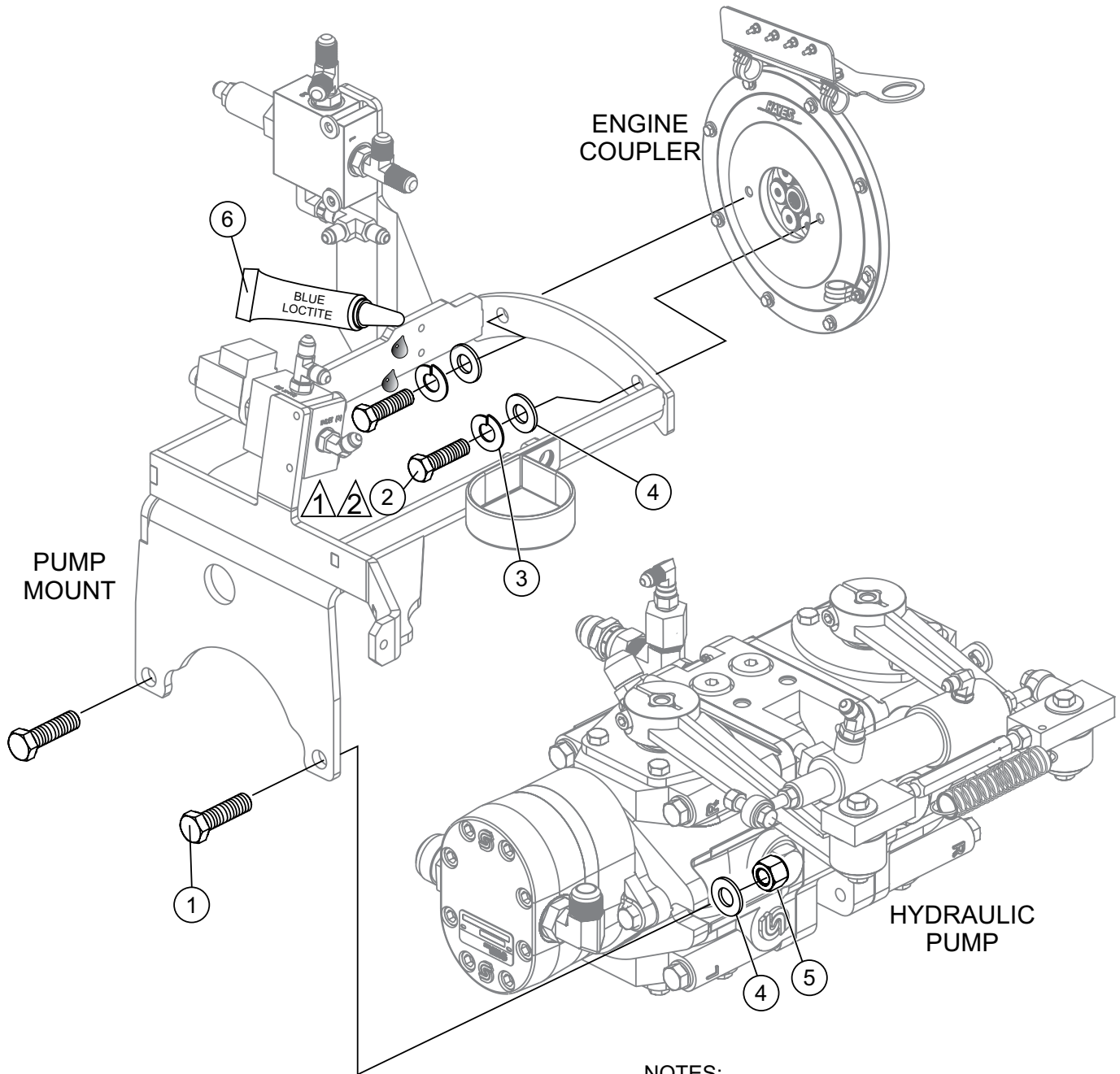
Complete Pump Assembly P/N 22863 includes Pump Fittings, Pump Levers and Pump Stroker Mount Assemblies. See preceding pages.



PUMP ASSY. COMPLETE


| <u>NO.</u> | <u>PART NO.</u> | <u>PART NAME</u> | <u>QTY.</u> | <u>REMARKS</u> |
|------------|-----------------|---------------------|-------------|----------------|
| 1 | 22863 | PUMP ASSY, COMPLETE | 1 | |

PUMP MOUNTING BRACKET ASSY.



NOTES:

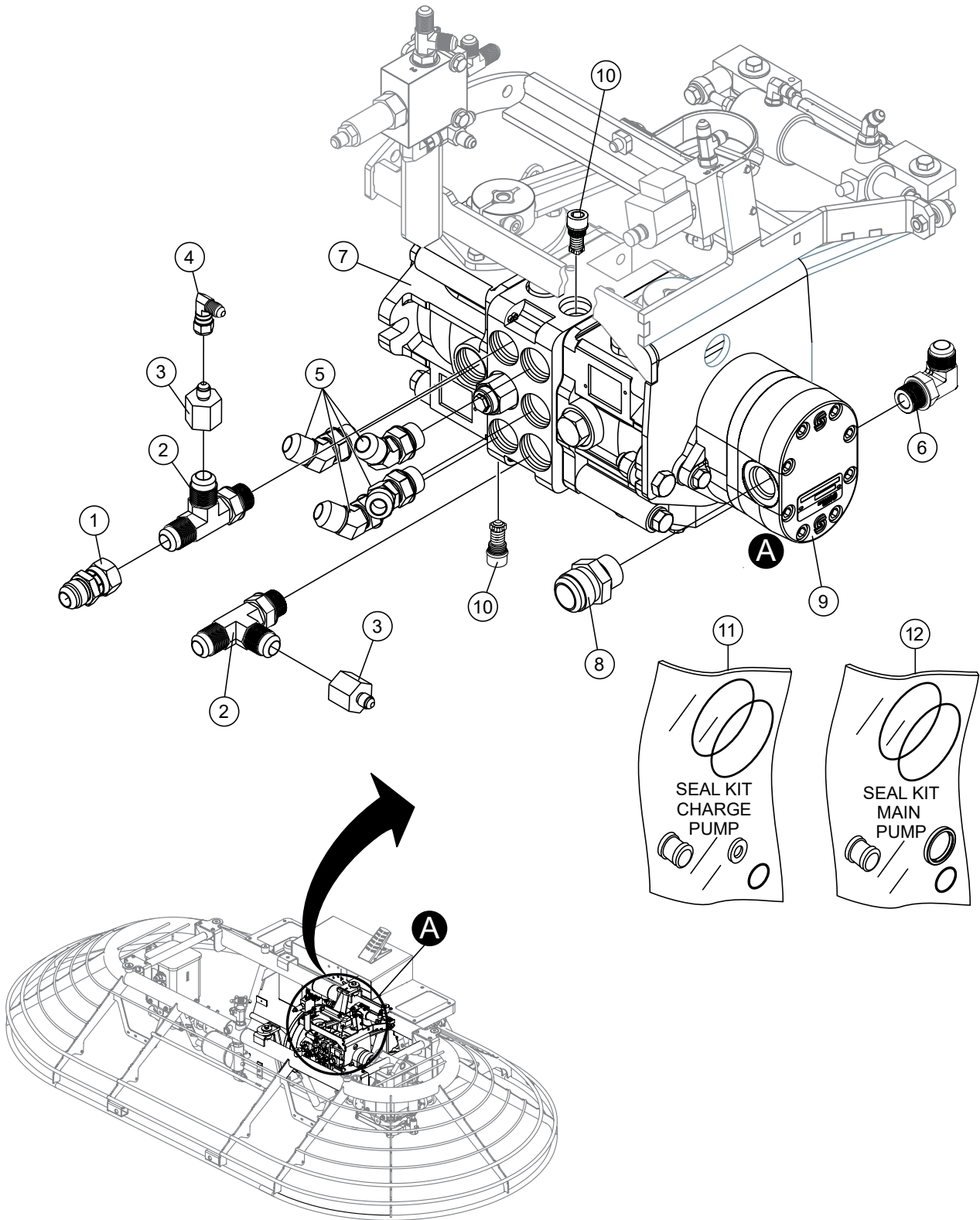
 APPLY BLUE LOCTITE™

 TORQUE TO 46 FT-LBS 62.3 N·m

PUMP MOUNTING BRACKET ASSY.

| <u>NO.</u> | <u>PART NO.</u> | <u>PART NAME</u> | <u>QTY.</u> | <u>REMARKS</u> |
|------------|-----------------|------------------------------------|-------------|----------------|
| 1 | 3242 | SCREW, HHC 1/2-13 X 1-3/4 | 2 | |
| 2 | 5218 | SCREW, HHC 1/2-13 X 1 1/2 | 2 | |
| 3 | 12220 | WASHER, LOCK 1/2 HIGH STRENGTH | 2 | |
| 4 | 16630 | WASHER, FLAT SAE 1/2 HIGH STRENGTH | 4 | |
| 5 | 10176 | NUT, NYLOC 1/2-13 | 2 | |
| 6 | 1477 | LOCTITE™ 242 BLUE .5CC | 1 | |

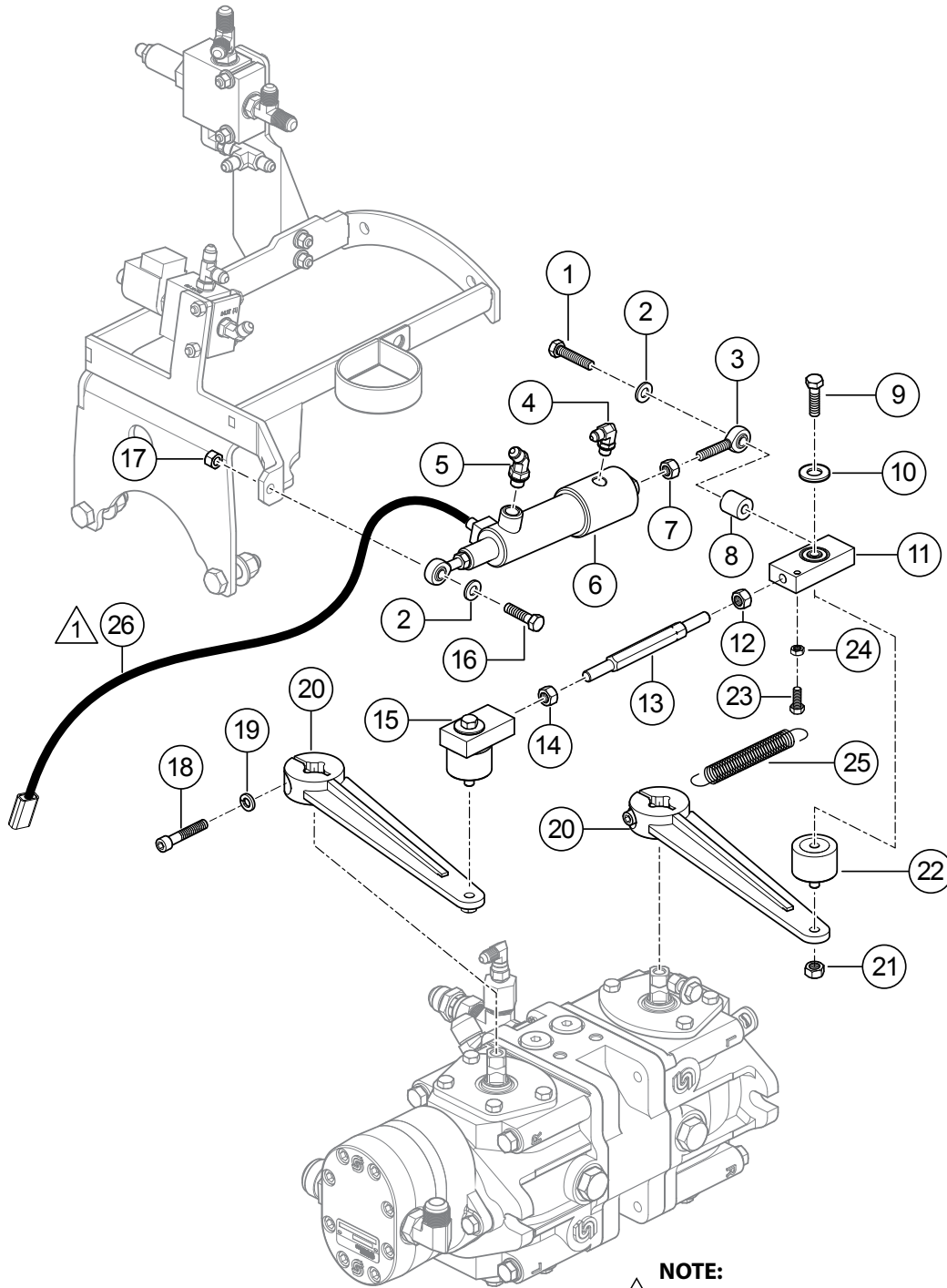
PUMP FITTINGS ASSY.



PUMP FITTINGS ASSY.

| <u>NO.</u> | <u>PART NO.</u> | <u>PART NAME</u> | <u>QTY.</u> | <u>REMARKS</u> |
|------------|-----------------|-----------------------------------|-------------|--------------------|
| 1 | 21997 | FITTING, STR -10FJ X -10MJ | 1 | |
| 2 | 21093 | FITTING, TEE 10MJ-10MJ-10MO RUN | 2 | |
| 3 | 22791 | FITTING, STR -10FJ x -4MJ REDUCER | 2 | |
| 4 | 366640 | FITTING, 90 4MJ - 4 FJ | 1 | |
| 5 | 16336 | FITTING, 45 10MJ-10MO | 4 | |
| 6 | 3322 | FITTING, 90 10MJ-10MO | 1 | |
| 7 | 21287 | PUMP ASSY, SAUER DANFOS M25 | 1..... | INCLUDES ITEM W/\$ |
| 8 | 22383 | FITTING, STR 12MO x 16MJ | 1 | |
| 9\$ | 32108 | CHARGE PUMP, SAUER DANFOS | 1 | |
| 10\$ | 22177 | VALVE, PRESSURE RELIEF 300 BAR | 2 | |
| 11 | 32112 | SEAL KIT, CHARGE PUMP | 1 | |
| 12 | 32114 | SEAL KIT, MAIN PUMP | 1..... | COMPLETE PUMP |

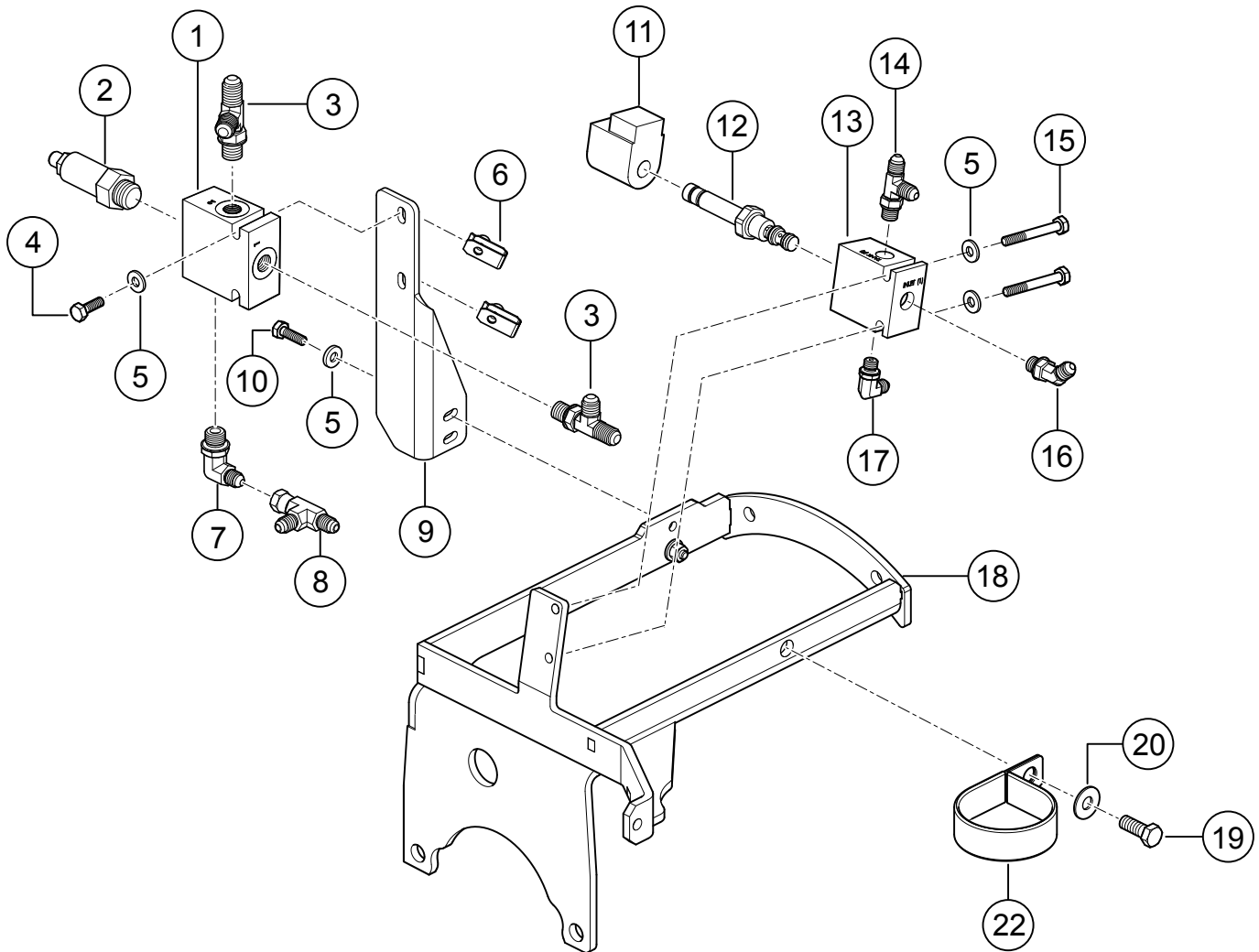
PUMP LEVERS ASSY.



PUMP LEVERS ASSY.

| <u>NO.</u> | <u>PART NO.</u> | <u>PART NAME</u> | <u>QTY.</u> | <u>REMARKS</u> |
|------------|-----------------|---------------------------------------|-------------|----------------|
| 1 | 22024 | SCREW, HHC 5/16-24 X 1-3/4" GR 5 ZINC | 1 | |
| 2 | 0300 B | WASHER, FLAT SAE 5/16" | 2 | |
| 3 | 1723 | ROD END, 5/16-24 MALE RH | 2 | |
| 4 | 368817 | FITTING, 90 4MU-4MO | 2 | |
| 5 | 21159 | FITTING, 45 4MJ-4MO | 2 | |
| 6 | 22287 | CYLINDER, PUMP STROKING #661563 | 1 | |
| 7 | 6014 C | NUT, HEX FINISH 5/16-24 | 2 | |
| 8 | 21391 | SPACER, .75" OD X .318" ID X .75" L | 1 | |
| 9 | 2623 | SCREW, HHC 5/16-18 X 1-1/4" | 2 | |
| 10 | 933213 | WASHER, FENDER 5/16 X 1" ZINC | 2 | |
| 11 | 22650 | BEARING, BLOCK ASM PUMP CTRL RH-LG | 1 | |
| 12 | 5023 B | NUT, HEX FINISH 3/8-24 PLAIN | 1 | |
| 13 | 21301 | ROD, PUMP ACTUATOR M25 | 1 | |
| 14 | 21342 | NUT, HEX FINISH 3/8-24 PLAIN | 1 | |
| 15 | 21267 | BEARING BLOCK ASM., PUMP CTRL LH | 1 | |
| 16 | 10181 | SCREW, HHC 5/16-24 X 1-1/4" | 1 | |
| 17 | 2656 | NUT, NYLOC 5/16-24 | 1 | |
| 18 | 0243 | SCREW, SHC 5/16-18 X 1-3/4" | 2 | |
| 19 | 0161 C | WASHER, LOCK 5/16" MED | 2 | |
| 20 | 21290 | LEVER W/A, PUMP CONTROL M25 | 2 | |
| 21 | 0161 D | NUT, HEX FINISH 5/16-18 | 2 | |
| 22 | 21231 | ISOLATOR PLATE STUD 5/16" | 2 | |
| 23 | 0131 A | SCREW, HHC 1/4-20 X 3/4" | 1 | |
| 24 | 07034-004 | NUT, HEX JAM 1/4-20 | 1 | |
| 25 | 22716 | SPRING, EXT. .75" OD X 4.50" X .062" | 1 | |
| 26 | 22681 | WIRING ASSY., SMART CYL. PIGTAIL | 1 | |

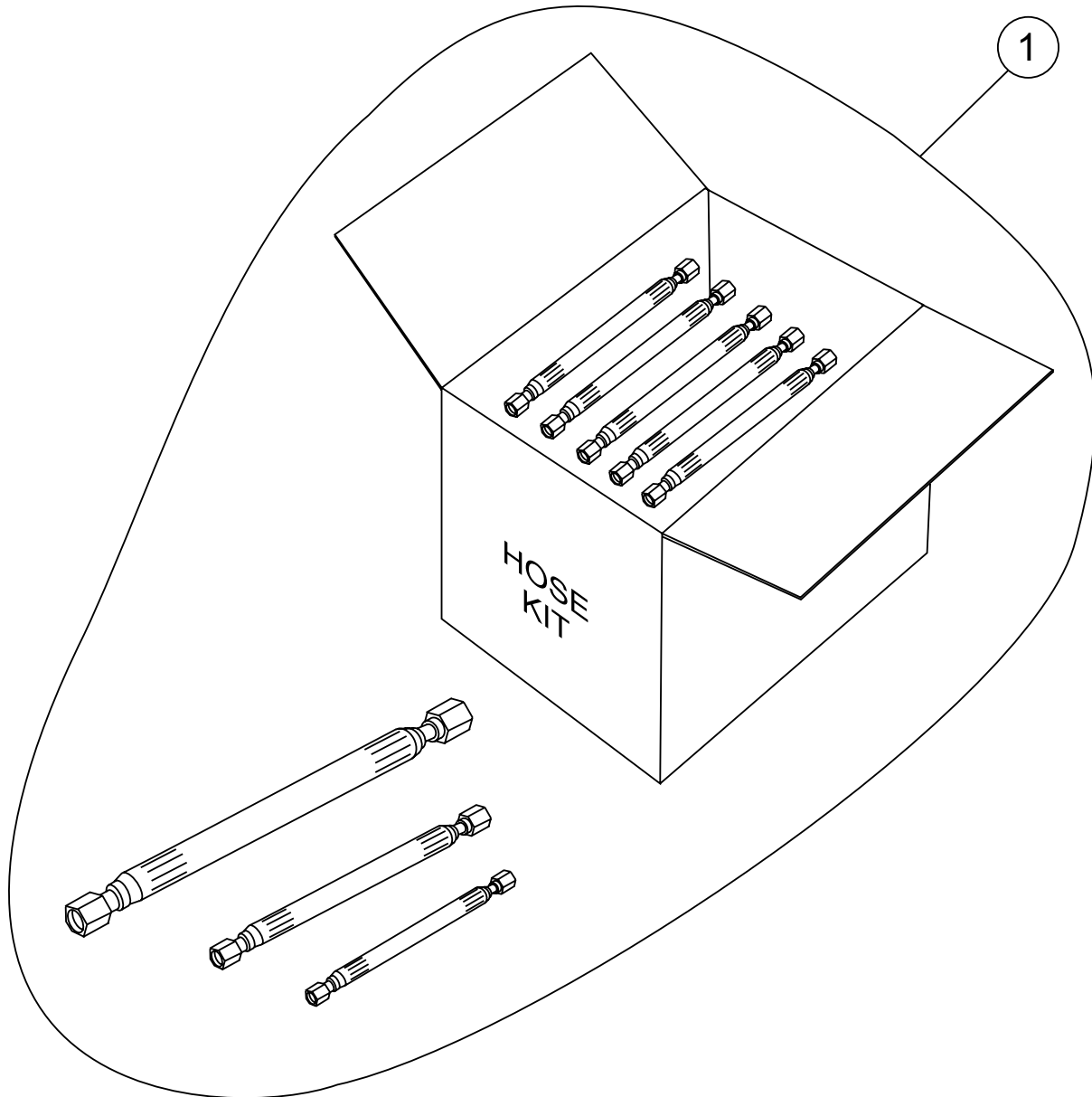
PUMP STROKER MOUNT ASSY.



PUMP STROKER MOUNT ASSY.

| <u>NO.</u> | <u>PART NO.</u> | <u>PART NAME</u> | <u>QTY.</u> | <u>REMARKS</u> |
|------------|-----------------|-----------------------------------|-------------|----------------|
| 1 | 22832 | VALVE BODY, 3 PORT-CP 10-3-65 | 1 | |
| 2 | 22831 | VALVE, PRESSURE REDUCING | 1 | |
| 3 | 12159 | FITTING, TEE 6MJ-6MJ-6MO RUN | 2 | |
| 4 | 20909 | SCREW, HHC 1/4-20 X 2" | 2 | |
| 5 | 0948 | WASHER, FLAT SAE 1/4" | 6 | |
| 6 | 35358 | PALNUT, U, 5/16-18 X .5/.20 PANEL | 2 | |
| 7 | 37407 | FITTING, 4MJ X 6MO-90 | 1 | |
| 8 | 366690 | FITTING, TEE RUN 4MJ-4MJ-4FJ | 1 | |
| 9 | 22843 | BRACKET, 3 PORT VALVE BODY | 1 | |
| 10 | 0131 A | SCREW, HHC 1/4-20 X 3-1/4" | 2 | |
| 11 | 22283 | COIL, STROKER VALVE | 1 | |
| 12 | 22835 | VALVE, PROP | 1 | |
| 13 | 22285 | BODY, VALVE-STROKER | 1 | |
| 14 | 35157 | FITTING, TEE 4MO-4MJ-4MJ RUN | 1 | |
| 15 | 26250 | SCREW, HHC 1/4-20 X 1-3/4" | 2 | |
| 16 | 21159 | FITTING, 45 4MJ-4MO | 1 | |
| 17 | 368817 | FITTING, 90 4MJ-4MO | 1 | |
| 18 | 22675 | MOUNT, PUMP STROKER | 1 | |
| 19 | 0205 | SCREW, HHC 3/8-16 X 1.0" | 1 | |
| 20 | 10136 | WASHER, FLAT SAE 3/8" | 1 | |
| 22 | 21349 | CLAMP, HOSE 2.63 VINYL | 1 | |

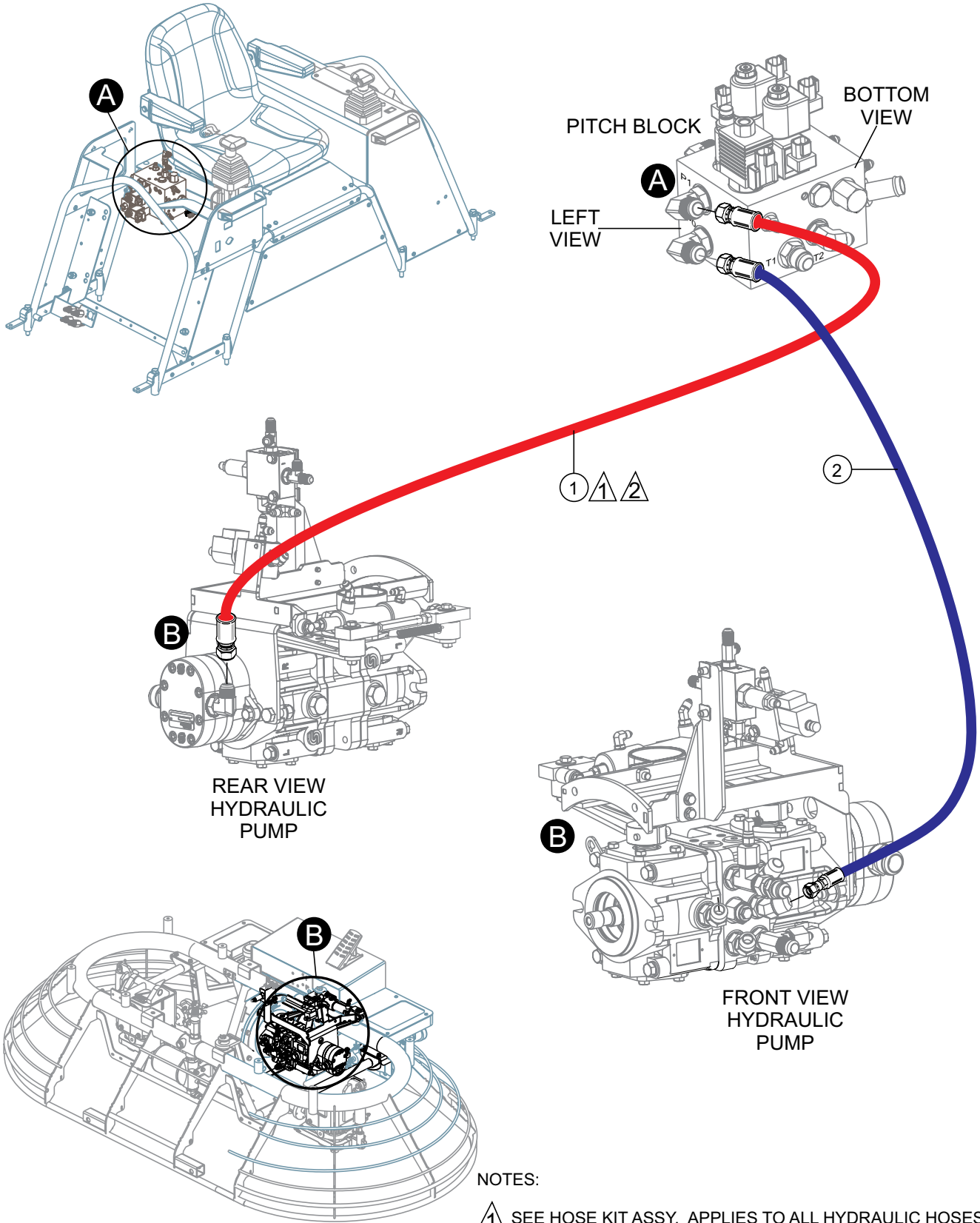
HYDRAULIC HOSE KIT ASSY. COMPLETE



HYDRAULIC HOSE KIT ASSY. COMPLETE

| <u>NO.</u> | <u>PART NO.</u> | <u>PART NAME</u> | <u>QTY.</u> | <u>REMARKS</u> |
|------------|-----------------|---|-------------|----------------------|
| 1 | 22372 | HOSE KIT ASSY. | 1 | INCLUDES ITEMS BELOW |
| | 12901 | HOSE ASSY., 1/2 ID x 18.00" STR ENDS | 1 | |
| | 21102 | HOSE ASSY., 5/8 ID x 20.00" 45° ENDS | 1 | |
| | 22424 | HOSE ASSY., 3/4 ID x 38.00" MEGAVAC | 1 | |
| | 21158 | HOSE ASSY., 1/2 ID x 24.00" STR ENDS | 1 | |
| | 21201 | HOSE ASSY., 3/8 ID x 36.50" STR ENDS | 2 | |
| | 21695 | HOSE ASSY., 3/8 ID x 40.00" STR AND LG 90° ENDS | 2 | |
| | 21771 | HOSE ASSY., 3/8 ID x 11.50" STR ENDS | 1 | |
| | 21818 | HOSE ASSY., 1.00 ID x 30" STR AND 90° ENDS | 1 | |
| | 21995 | HOSE ASSY., 3/8 ID x 40.50" STR ENDS | 2 | |
| | 22771 | HOSE ASSY., 5/8 ID x 19" STR ENDS | 2 | |
| | 22466 | HOSE ASSY., 3/8 ID x 67.00" STR ENDS | 2 | |
| | 22469 | HOSE ASSY., 5/8 ID x 65.50" STR AND 45° ENDS | 1 | |
| | 22470 | HOSE ASSY., 1/4 ID x 48" STR ENDS | 2 | |
| | 22471 | HOSE ASSY., 5/8 ID x 23.50" STR AND 90° ENDS | 1 | |
| | 22472 | HOSE ASSY., 5/8 ID x 44.50" 45 AND 90° ENDS | 1 | |
| | 22474 | HOSE ASSY., 1/4 ID x 83" STR ENDS | 2 | |
| | 22475 | HOSE ASSY., 1/4 ID x 10.00" STR ENDS | 1 | |
| | 22476 | HOSE ASSY., 1/4 ID x 8.00" STR ENDS | 1 | |
| | 22477 | HOSE ASSY., 1/4 ID x 24" STR AND 90° ENDS | 1 | |
| | 22694 | HOSE ASSY., 3/8 ID x 20.50" STR AND 90° ENDS | 1 | |
| | 22695 | HOSE ASSY., 1/2 ID x 26.50" STR AND 45° ENDS | 1 | |
| | 22430 | HOSE ASSY., 5/8 IDx22.0" STR ENDS-PUSHLOC | 1 | |
| | 22478 | HOSE ASSY., 1/4 ID x 22.50" STR ENDS | 1 | |
| | 22395 | HOSE ASSY., 1/4 ID x 14.00" STR ENDS | 2 | |
| | 22836 | HOSE ASSY., 1/4 ID x 11.0" STR AND 90° ENDS | 1 | |
| | 22837 | HOSE ASSY., 1/4 ID x 13.5" STR AND 90° ENDS | 1 | |
| | 22838 | HOSE ASSY., 1/4 ID x 22.0" STR AND 90° ENDS | 1 | |
| | 22839 | HOSE ASSY., 3/8 ID x 20.0" STR AND 90° ENDS | 2 | |

HYDRAULIC HOSE ASSY. (PITCH BLOCK PORTS P0-P1)



NOTES:

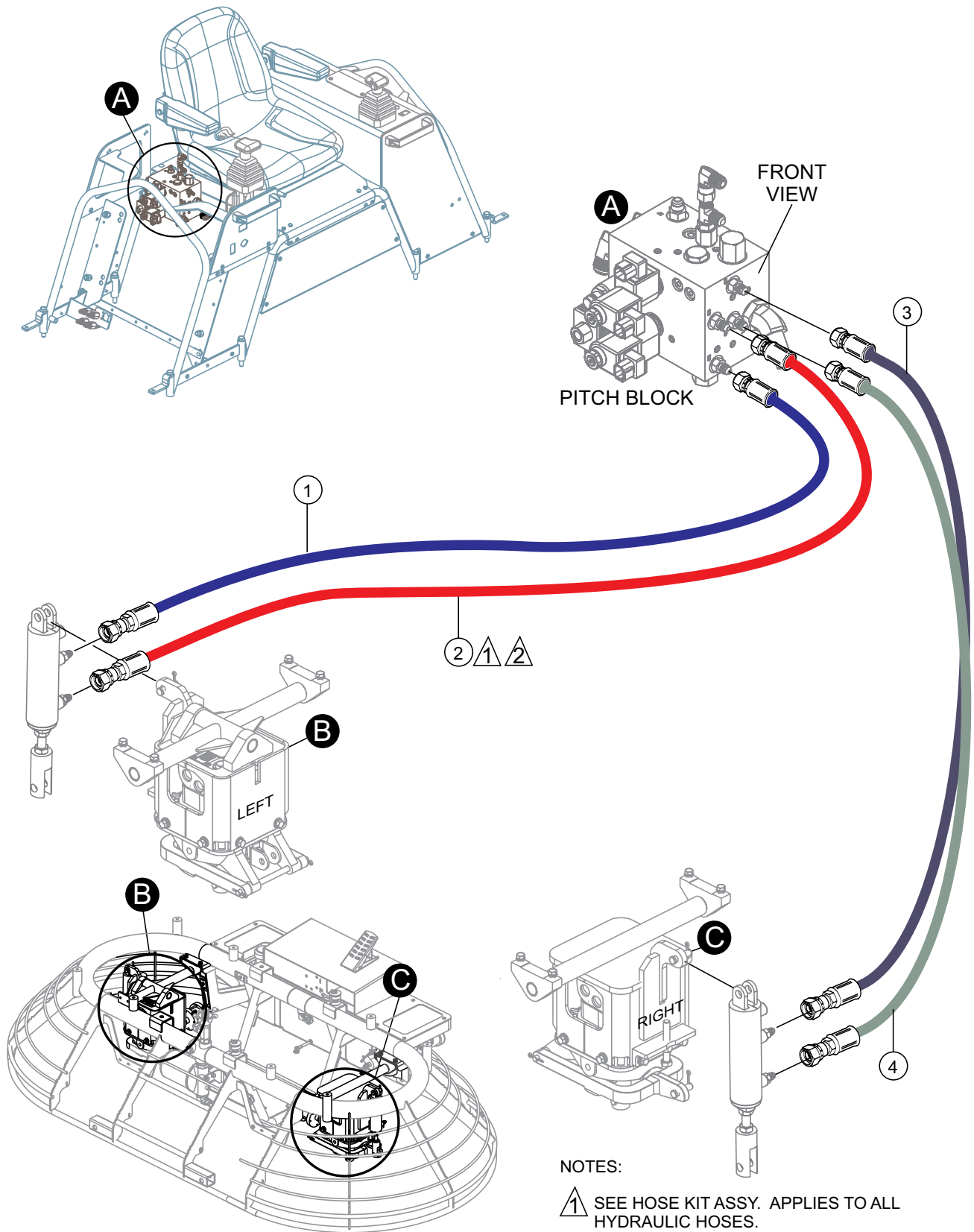
SEE HOSE KIT ASSY. APPLIES TO ALL HYDRAULIC HOSES.

HOSE COLORS SHOWN FOR CLARITY ONLY.

HYDRAULIC HOSE ASSY. (PITCH BLOCK PORTS P0-P1)

| <u>NO.</u> | <u>PART NO.</u> | <u>PART NAME</u> | <u>QTY.</u> | <u>REMARKS</u> |
|------------|-----------------|-----------------------------------|-------------|----------------|
| 1 | 21076 | HOSE ASM,1/2 ID x 29.50" STR ENDS | 1 | |
| 2 | 21334 | HOSE ASM,1/2 ID x 26.50" STR ENDS | 1 | |

HYDRAULIC HOSE ASSY. (PITCH BLOCK PORTS C1~C4)

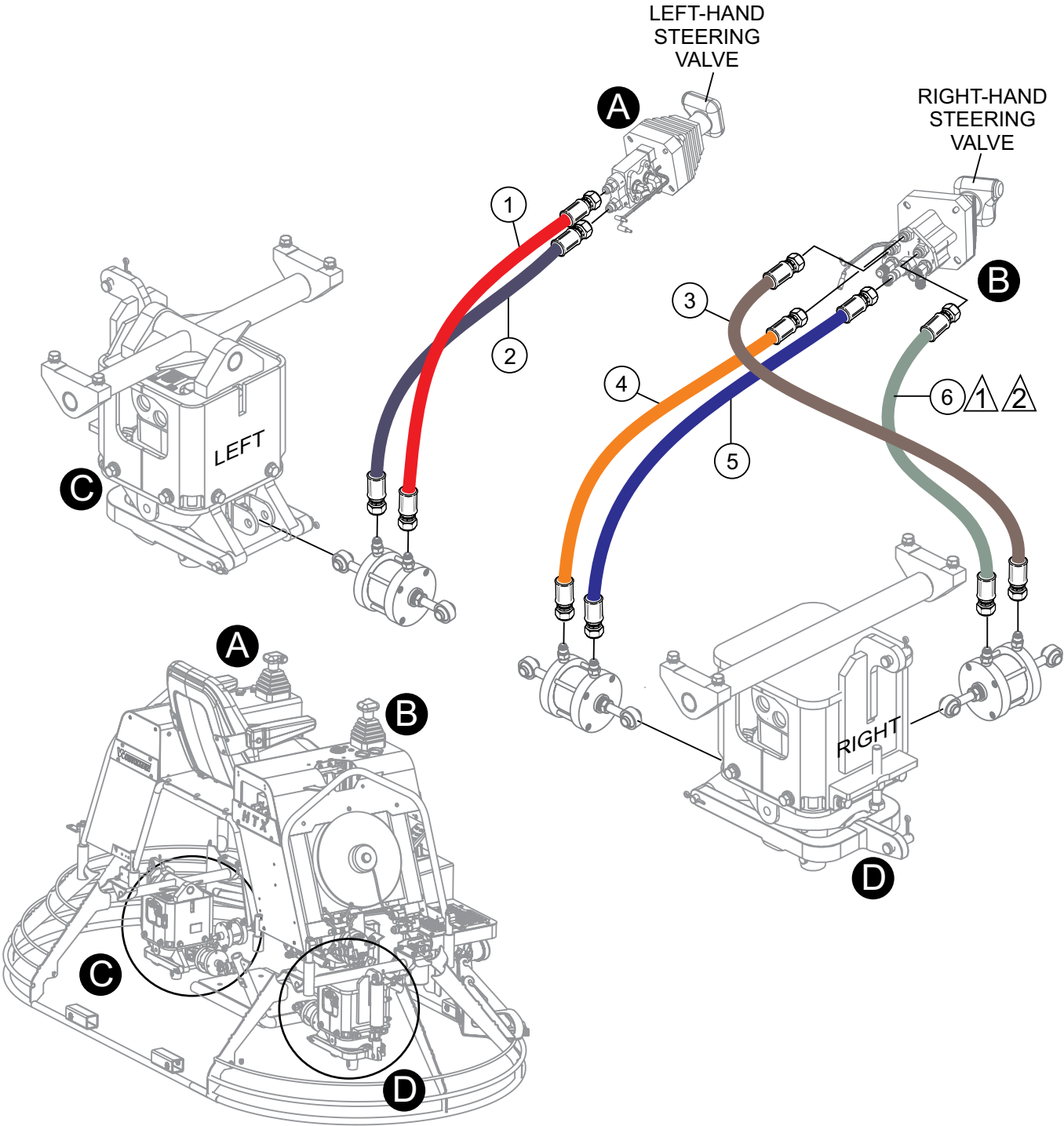


- NOTES:
- ① SEE HOSE KIT ASSY. APPLIES TO ALL HYDRAULIC HOSES.
 - ② HOSE COLORS SHOWN FOR CLARITY ONLY.

HYDRAULIC HOSE ASSY. (PITCH BLOCK PORTS C1~C4)

| <u>NO.</u> | <u>PART NO.</u> | <u>PART NAME</u> | <u>QTY.</u> | <u>REMARKS</u> |
|------------|-----------------|--|-------------|----------------|
| 1 | 22396 | HOSE ASM, 1/4 ID x 98.50"-4FJ STR ENDS | 1 | |
| 2 | 22396 | HOSE ASM, 1/4 ID x 98.50"-4FJ STR ENDS | 1 | |
| 3 | 22423 | HOSE ASM, 1/4 ID x 53.50"-4FJ STR ENDS | 1 | |
| 4 | 22423 | HOSE ASM, 1/4 ID x 53.50"-4FJ STR ENDS | 1 | |

HYDRAULIC HOSE ASSY. (LH-RH STEERING VALVES #1)



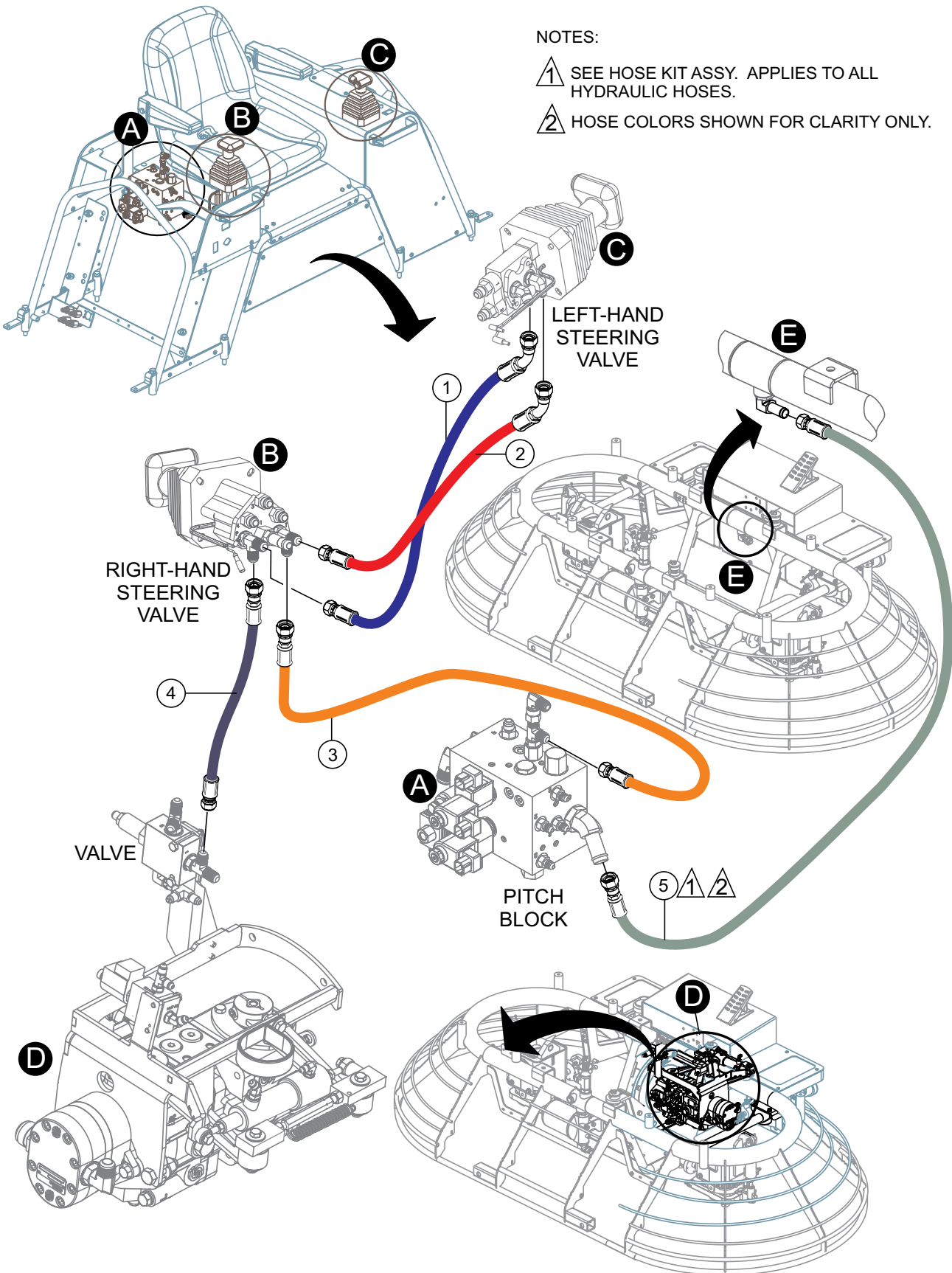
NOTES:

- ① SEE HOSE KIT ASSY. APPLIES TO ALL HYDRAULIC HOSES.
- ② HOSE COLORS SHOWN FOR CLARITY ONLY.

HYDRAULIC HOSE ASSY. (LH-RH STEERING VALVES #1)

| <u>NO.</u> | <u>PART NO.</u> | <u>PART NAME</u> | <u>QTY.</u> | <u>REMARKS</u> |
|------------|-----------------|--|-------------|----------------|
| 1 | 22427 | HOSE ASM, 3/8 ID x 45.50"-6FJ STR ENDS | 1 | |
| 2 | 22427 | HOSE ASM, 3/8 ID x 45.50"-6FJ STR ENDS | 1 | |
| 3 | 22428 | HOSE ASM, 3/8 ID x 42.00"-6FJ STR ENDS | 1 | |
| 4 | 22428 | HOSE ASM, 3/8 ID x 42.00"-6FJ STR ENDS | 1 | |
| 5 | 21995 | HOSE ASM, 3/8 ID x 40.50" STR ENDS | 1 | |
| 6 | 22428 | HOSE ASM, 3/8 ID x 42.00"-6FJ STR ENDS | 1 | |

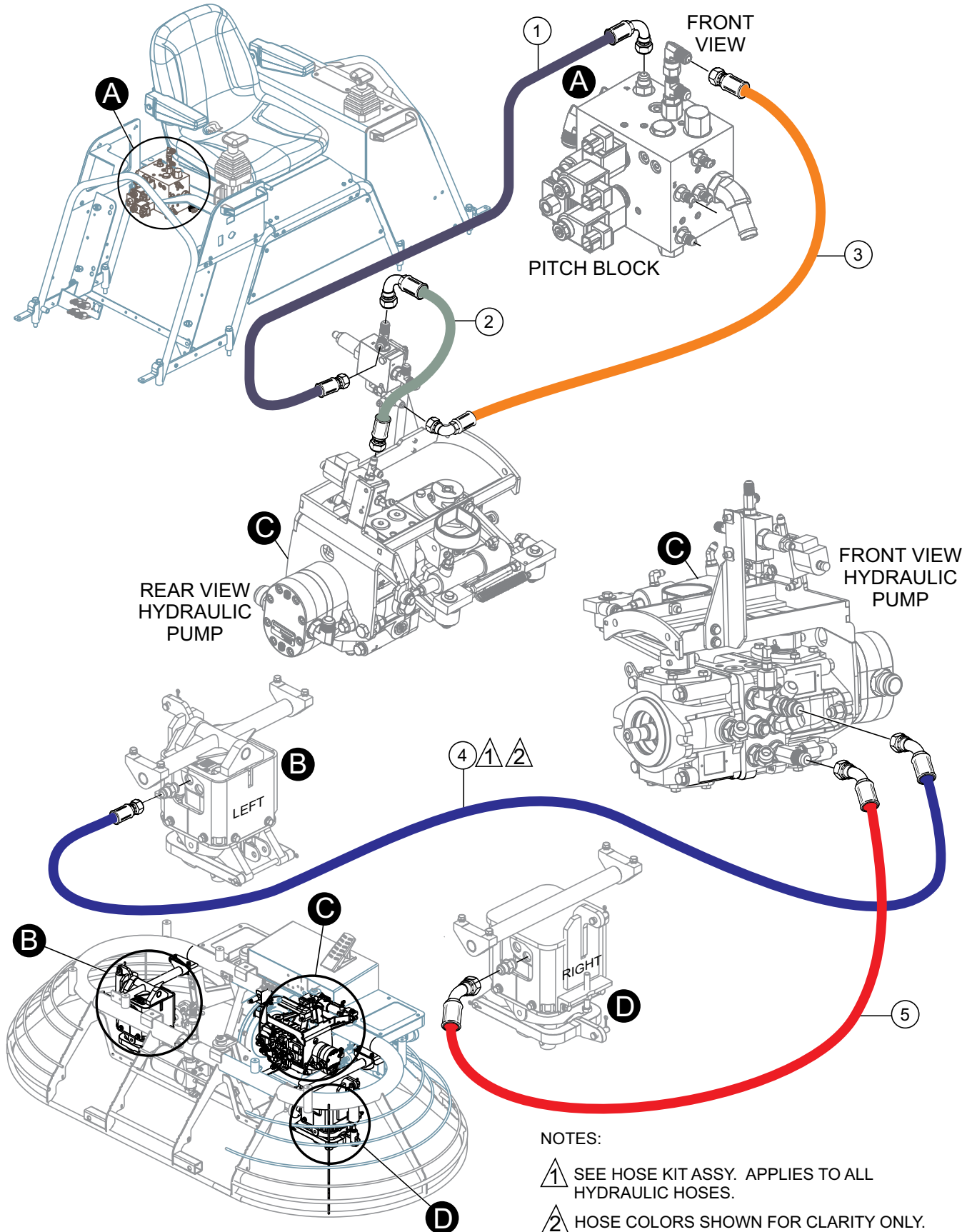
HYDRAULIC HOSE ASSY. (LH-RH STEERING VALVES #2)



HYDRAULIC HOSE ASSY. (LH-RH STEERING VALVES #2)

| <u>NO.</u> | <u>PART NO.</u> | <u>PART NAME</u> | <u>QTY.</u> | <u>REMARKS</u> |
|------------|-----------------|---|-------------|----------------|
| 1 | 21695 | HOSE ASM, 3/8 ID x 40.00" STR AND LG 90° ENDS | 1 | |
| 2 | 21695 | HOSE ASM, 3/8 ID x 40.00" STR AND LG 90° ENDS | 1 | |
| 3 | 21771 | HOSE ASM, 3/8 ID x 11.50" STR ENDS | 1 | |
| 4 | 22694 | HOSE ASM, 3/8 ID x 20.50" STR AND 90° ENDS | 1 | |
| 5 | 22424 | HOSE ASM, 3/4 ID x 38.00" MEGAVAC | 1 | |

HYD. HOSE ASSY. (PITCH BLOCK PORTS SP-T3/HYD. MOTOR)



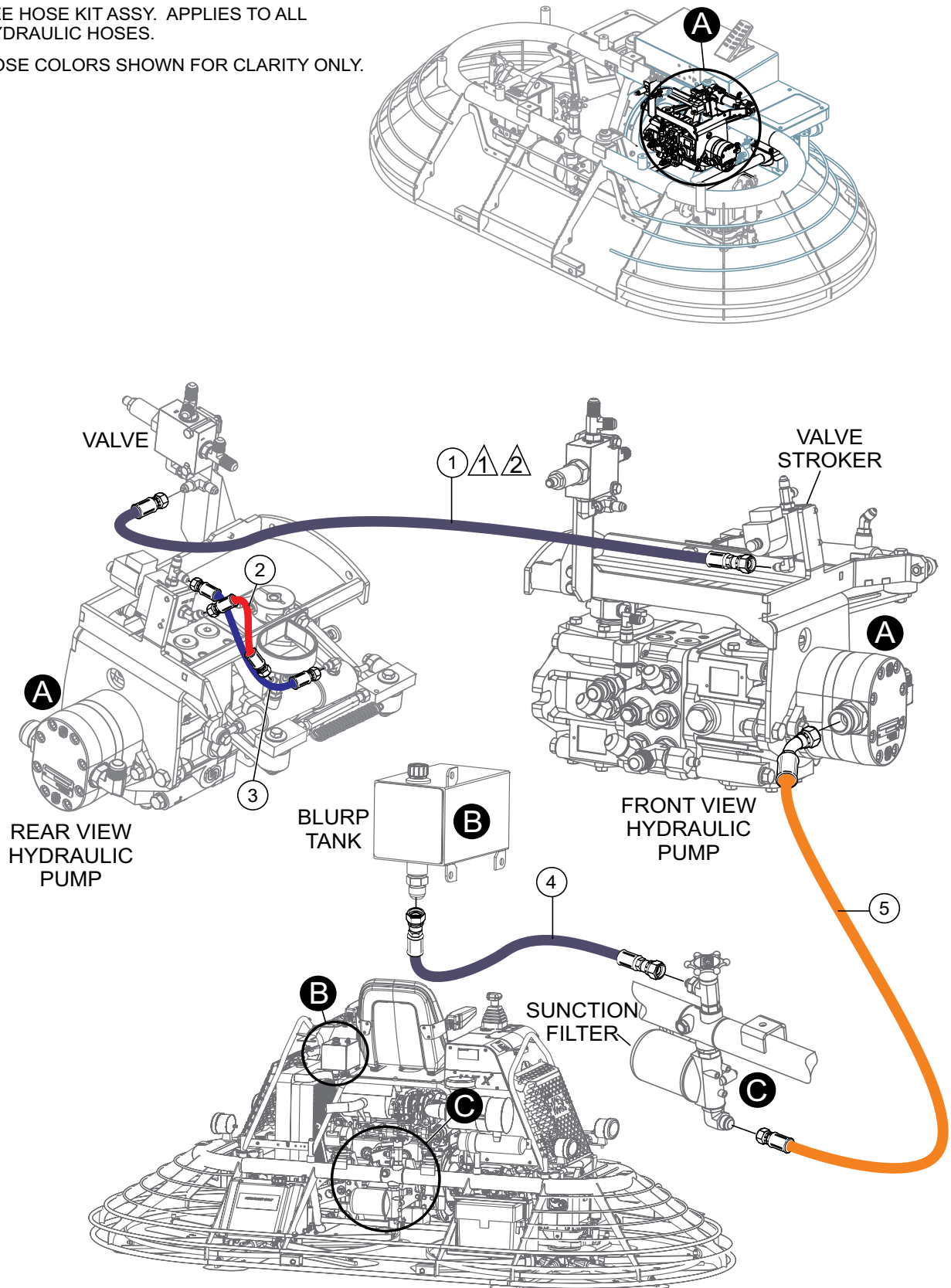
HYD. HOSE ASSY. (PITCH BLOCK PORTS SP-T3/HYD. MOTOR)

| <u>NO.</u> | <u>PART NO.</u> | <u>PART NAME</u> | <u>QTY.</u> | <u>REMARKS</u> |
|------------|-----------------|---|-------------|----------------|
| 1 | 22911 | HOSE ASM, 3/8 ID x 23.00"-6STR AND-6 90°FJ ENDS | 1 | |
| 2 | 22837 | HOSE ASM, 1/4 ID x 13.5" STR AND 90° ENDS | 1 | |
| 3 | 22477 | HOSE ASM, 1/4 ID x 24" STR AND 90° ENDS | 1 | |
| 4 | 22391 | HOSE ASM, 5/8 ID x 55.50" STR AND 45°ENDS | 1 | |
| 5 | 21102 | HOSE ASM, 5/8 ID x 20.0" | 1 | |

HYD. HOSE ASSY. (BURP TANK/SUNCTION FILTER/VALVES)

NOTES:

- ① SEE HOSE KIT ASSY. APPLIES TO ALL HYDRAULIC HOSES.
- ② HOSE COLORS SHOWN FOR CLARITY ONLY.



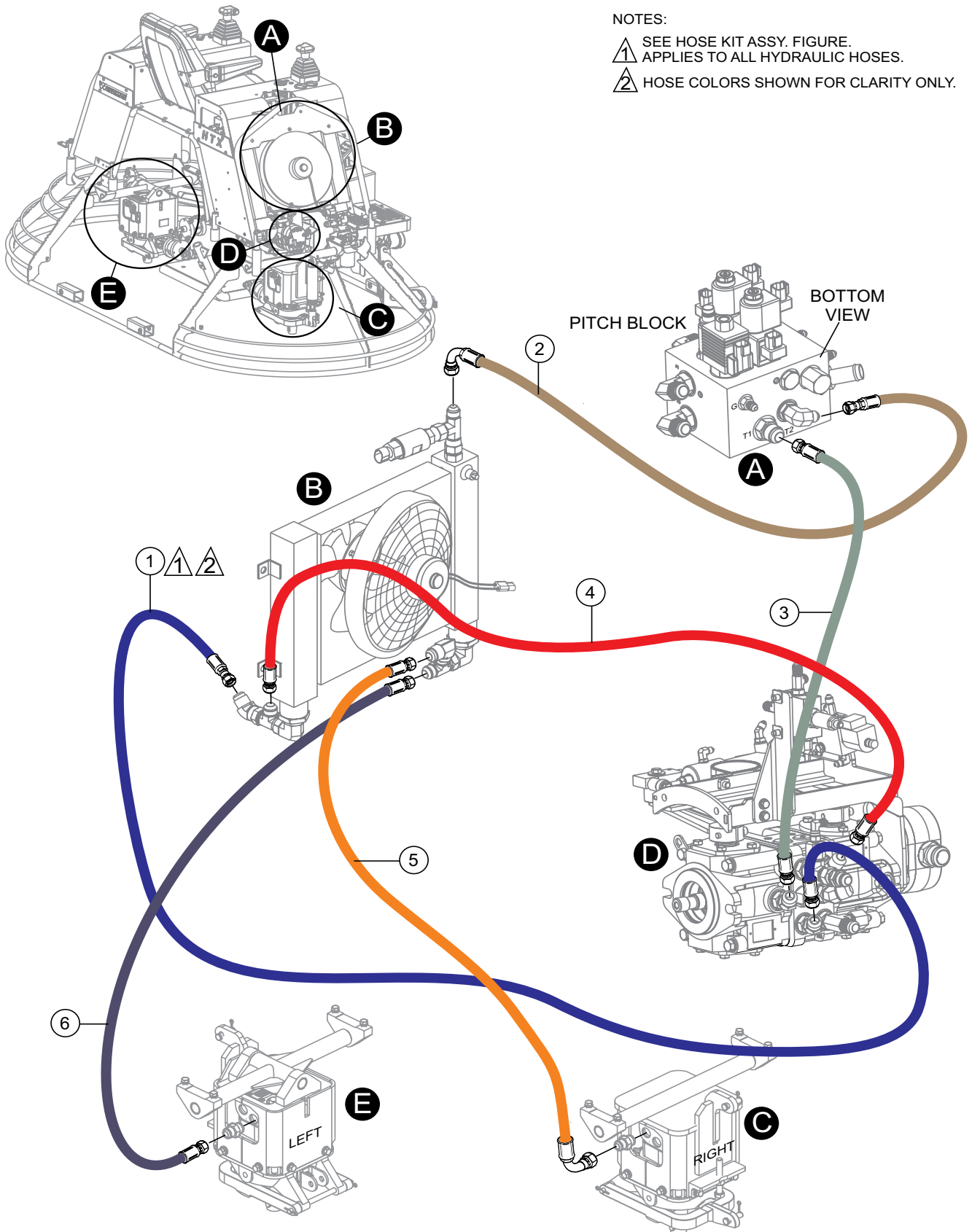
HYD. HOSE ASSY. (BURP TANK/SUNCTION FILTER/VALVES)

| <u>NO.</u> | <u>PART NO.</u> | <u>PART NAME</u> | <u>QTY.</u> | <u>REMARKS</u> |
|------------|-----------------|---|-------------|----------------|
| 1 | 22836 | HOSE ASM, 1/4 ID x 11.0" STR AND 90° ENDS | 1 | |
| 2 | 22476 | HOSE ASM, 1/4 ID x 8.00" STR ENDS | 1 | |
| 3 | 22475 | HOSE ASM, 1/4 ID x 10.00" STR ENDS | 1 | |
| 4 | 22430 | HOSE ASM, 5/8 ID x 22.0" STR ENDS-PUSH LOC | 1 | |
| 5 | 21816 | HOSE ASM, 1.00" ID x 29.00" STR AND 45 ENDS | 1 | |

HYDRAULIC HOSE ASSY. (PITCH BLOCK/COOLER/ PUMP)

NOTES:

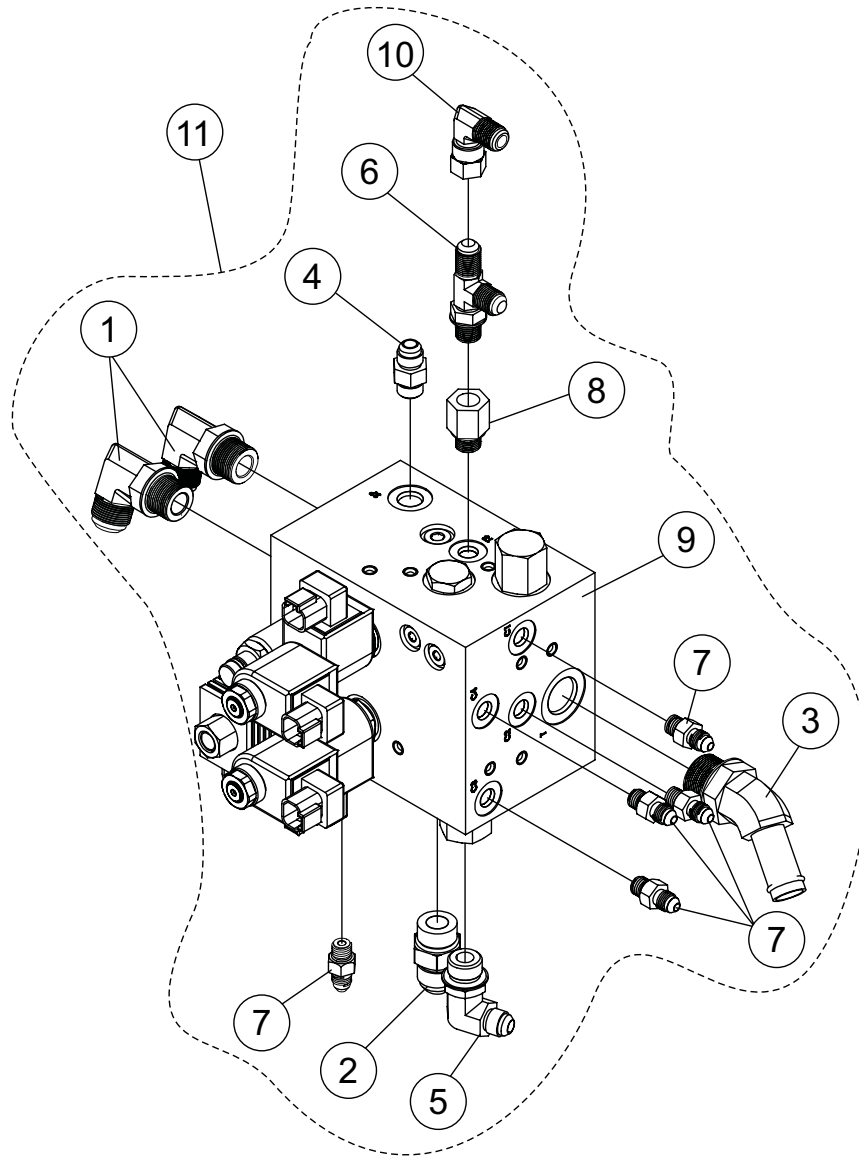
- ① SEE HOSE KIT ASSY. FIGURE.
APPLIES TO ALL HYDRAULIC HOSES.
- ② HOSE COLORS SHOWN FOR CLARITY ONLY.



HYDRAULIC HOSE ASSY. (PITCH BLOCK/COOLER/ PUMP)

| <u>NO.</u> | <u>PART NO.</u> | <u>PART NAME</u> | <u>QTY.</u> | <u>REMARKS</u> |
|-------------------|------------------------|--|--------------------|-----------------------|
| 1 | 22771 | HOSE ASM, 5/8 ID x 19" STR ENDS | 1 | |
| 2 | 22694 | HOSE ASM, 3/8 ID x 20.50" STR&90° ENDS | 1 | |
| 3 | 22425 | HOSE ASM, 1/2 ID x 22.50" STR ENDS | 1 | |
| 4 | 22771 | HOSE ASM, 5/8 ID x 19" STR ENDS | 1 | |
| 5 | 22392 | HOSE ASM, 5/8 ID x 18.50" 12-90 AND 12FJ-STR END | 1 | |
| 6 | 22390 | HOSE ASM, 5/8 ID x 79.50"-12FJ STR ENDS | 1 | |

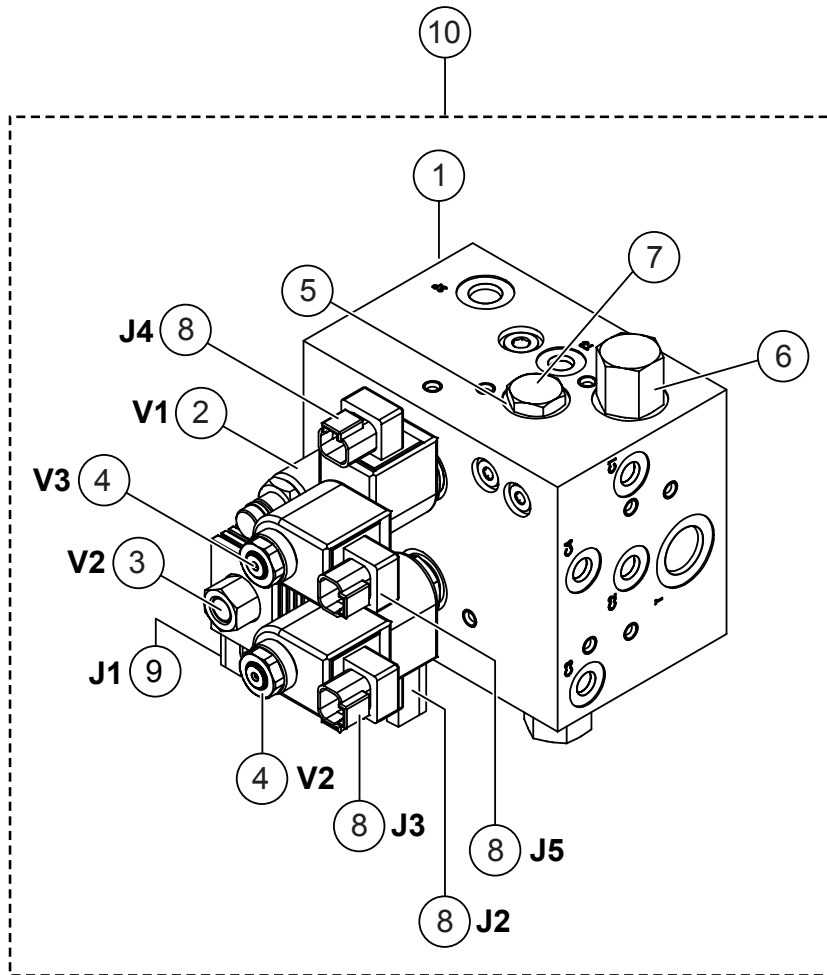
PITCH BLOCK ASSY. (FITTINGS)



PITCH BLOCK ASSY. (FITTINGS)

| <u>NO.</u> | <u>PART NO.</u> | <u>PART NAME</u> | <u>QTY.</u> | <u>REMARKS</u> |
|------------|-----------------|------------------------------|-------------|----------------------|
| 1\$ | 3322 | FITTING, 90 10MJ-10MO | 2 | |
| 2\$ | 3365 | FITTING, STR 10MJ-10MO | 1 | |
| 3\$ | 3366 | FITTING, 45 12BARB-12MO | 1 | |
| 4\$ | 11721 | FITTING, STR 6MJ-6MO | 1 | |
| 5\$ | 11723 | FITTING, 90 6MJ-8MO | 1 | |
| 6\$ | 12159 | FITTING, TEE 6MJ-6MJ-6MO RUN | 1 | |
| 7\$ | 21095 | FITTING, STR 4MJ - 4MO | 5 | |
| 8\$ | 21114 | FITTING, STR 6FO-6MO | 1 | |
| 9\$ | 22233 | VALVE, ASSY., PITCH BLOCK | 1 | |
| 10\$ | 26798 | FITTING, 90 6MJ-6FJ | 1 | |
| 11 | 22860 | PITCH BLOCK ASSY..... | 1..... | INCLUDES ITEMS W/ \$ |

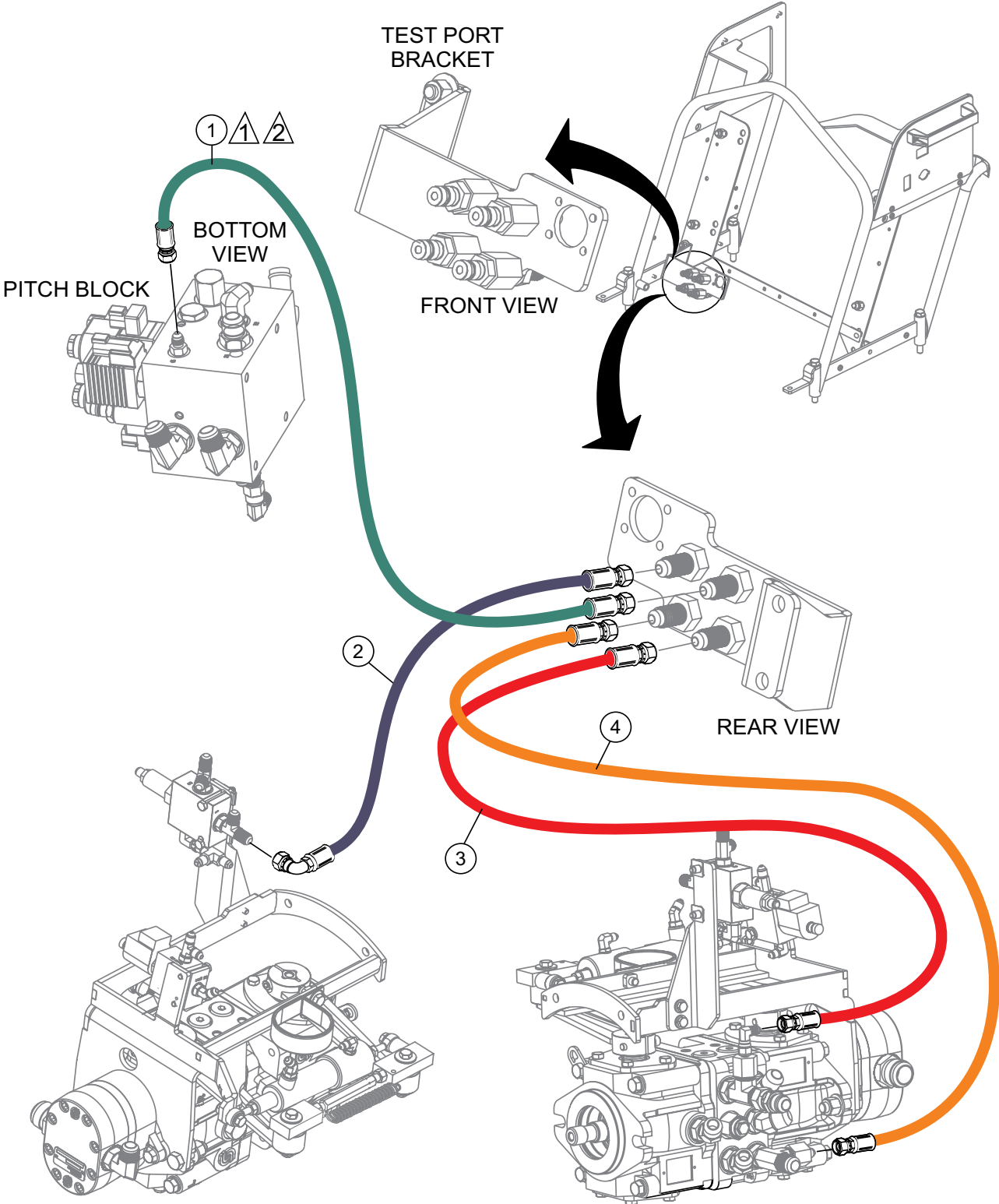
PITCH BLOCK ASSY. (VALVES)



PITCH BLOCK ASSY. (VALVES)

| <u>NO.</u> | <u>PART NO.</u> | <u>PART NAME</u> | <u>QTY.</u> | <u>REMARKS</u> |
|------------|-----------------|------------------------|-------------|-------------------------|
| 1\$ | | BODY | 1..... | NOT SERVICED SEPARATELY |
| 2\$ | 22233-7 | RELIEF VALVE | 1 | |
| 3\$ | 22233-1 | BYPASS VALVE | 1 | |
| 4\$ | 22233-3 | PITCH VALVE | 2 | |
| 5\$ | 22233-5 | CHECK VALVE | 2 | |
| 6\$ | 22233-6 | FLOW CONTROL VALVE | 2 | |
| 7\$ | | PISTON..... | 2..... | NOT SERVICED SEPARATELY |
| 8\$ | 22233-4 | SOLENOID, PITCH VALVE | 4 | |
| 9\$ | 22233-2 | SOLENOID, BYPASS VALVE | 1 | |
| 10 | 22233 | PITCH BLOCK ASSY..... | 1..... | INCLUDES ITEMS W/\$ |

HYDRAULIC TEST PORT HOSES ASSY.



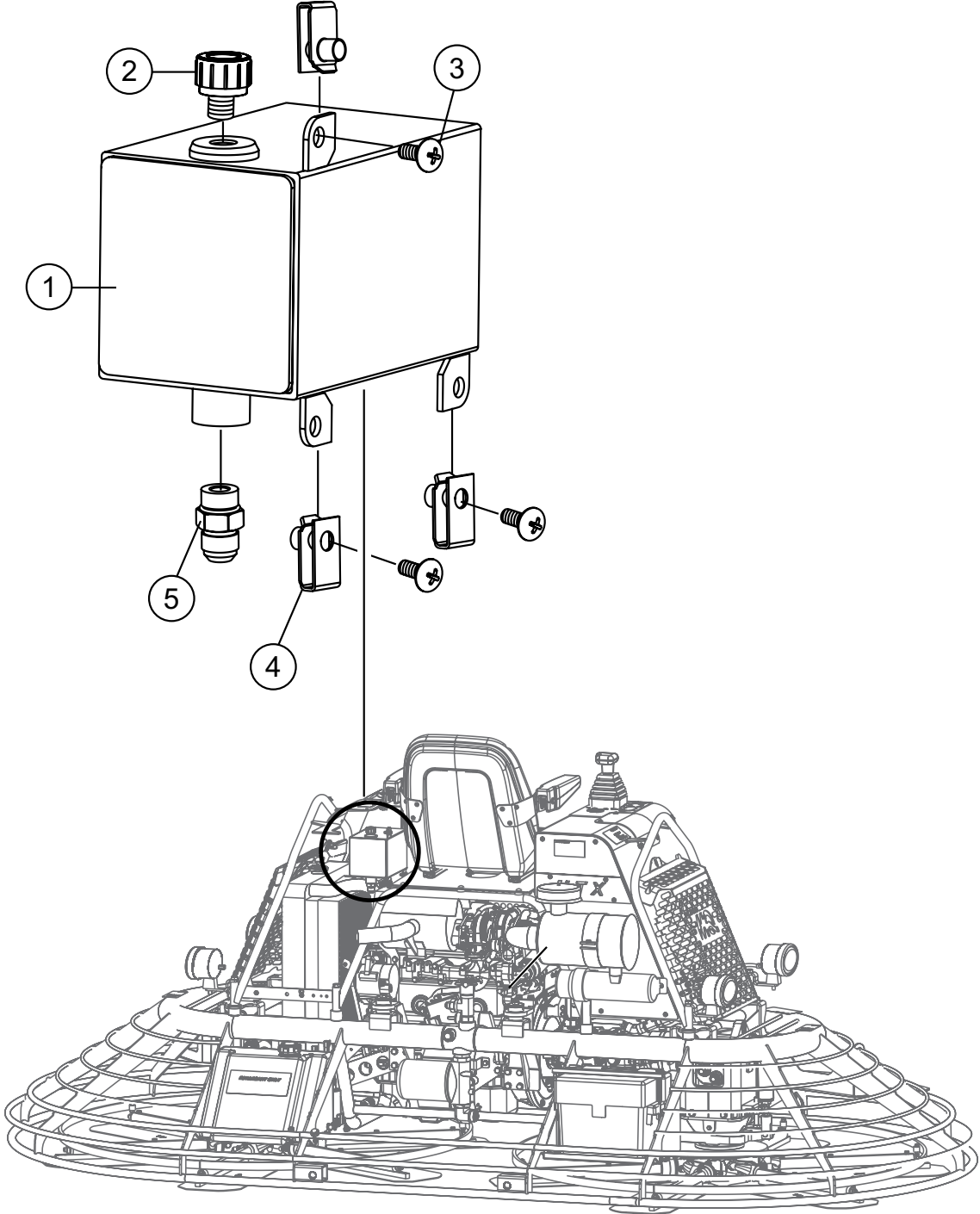
NOTES:

- 1 SEE HOSE KIT ASSY. APPLIES TO ALL HYDRAULIC HOSES.
- 2 HOSE COLORS SHOWN FOR CLARITY ONLY.

HYDRAULIC TEST PORT HOSES ASSY.

| <u>NO.</u> | <u>PART NO.</u> | <u>PART NAME</u> | <u>QTY.</u> | <u>REMARKS</u> |
|------------|-----------------|---|-------------|----------------|
| 1 | 22478 | HOSE ASM, 1/4 ID x 22.50" STR ENDS | 1 | |
| 2 | 22838 | HOSE ASM, 1/4 ID x 22.0" STR AND 90° ENDS | 1 | |
| 3 | 22394 | HOSE ASM, 1/4 ID x 16.25" STR ENDS | 1 | |
| 4 | 22394 | HOSE ASM, 1/4 ID x 16.25" STR ENDS | 1 | |

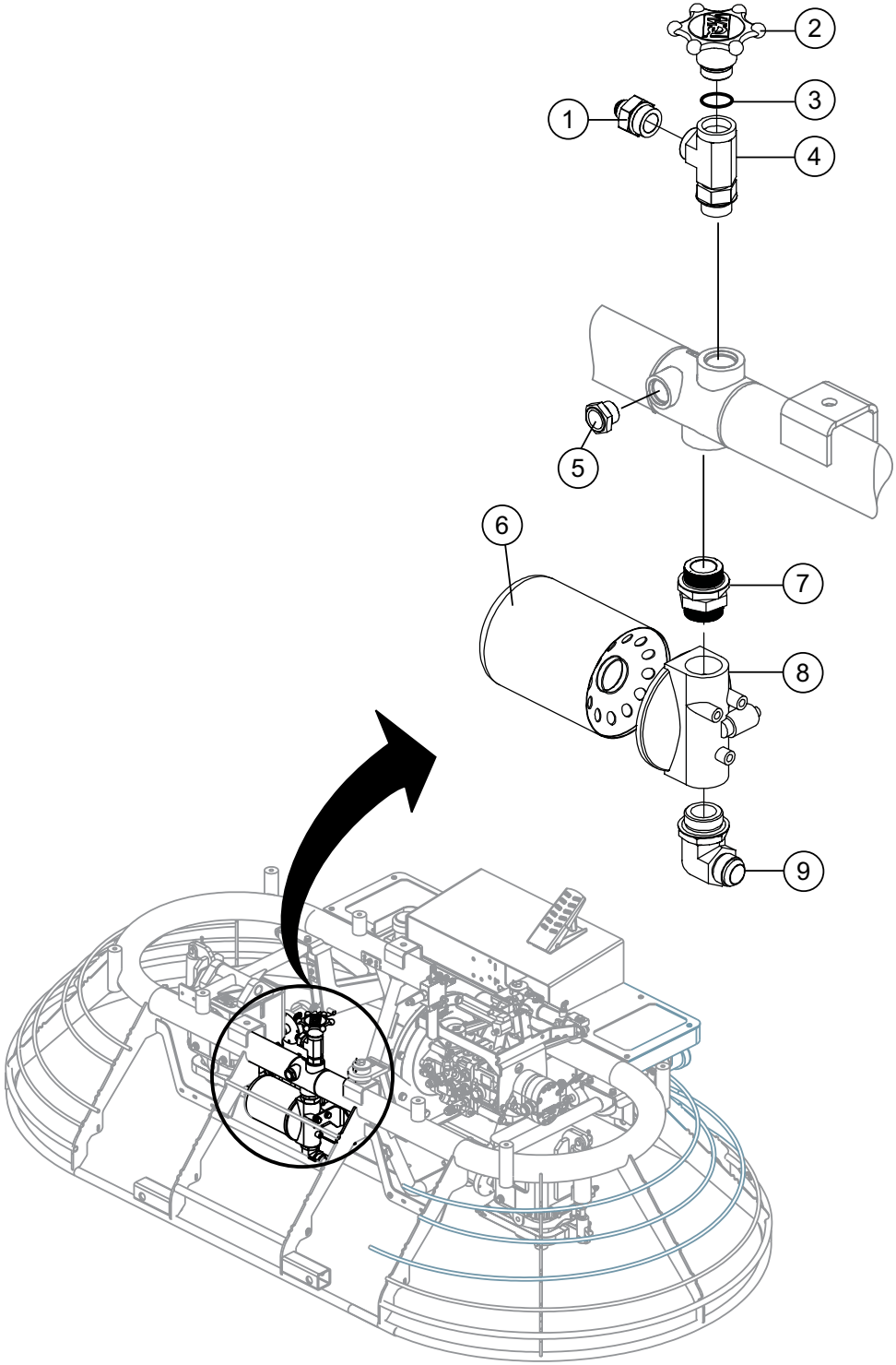
BURP TANK ASSY.



BURP TANK ASSY.

| <u>NO.</u> | <u>PART NO.</u> | <u>PART NAME</u> | <u>QTY.</u> | <u>REMARKS</u> |
|------------|-----------------|--|-------------|----------------|
| 1 | 22444 | TANK, W/A, HYD BURP | 1 | |
| 2 | 21513 | BREATHER, FILTER 10 MICRON 1/4MP | 1..... | PLASTIC |
| 3 | 12287 | SCREW, THP 1/4-20 X 3/4" SS | 3 | |
| 4 | 11534 | NUT, "U" TYPE, 1/4-20 | 3 | |
| 5 | 3365 | FITTING, STR 10MJ-10MO | 1 | |

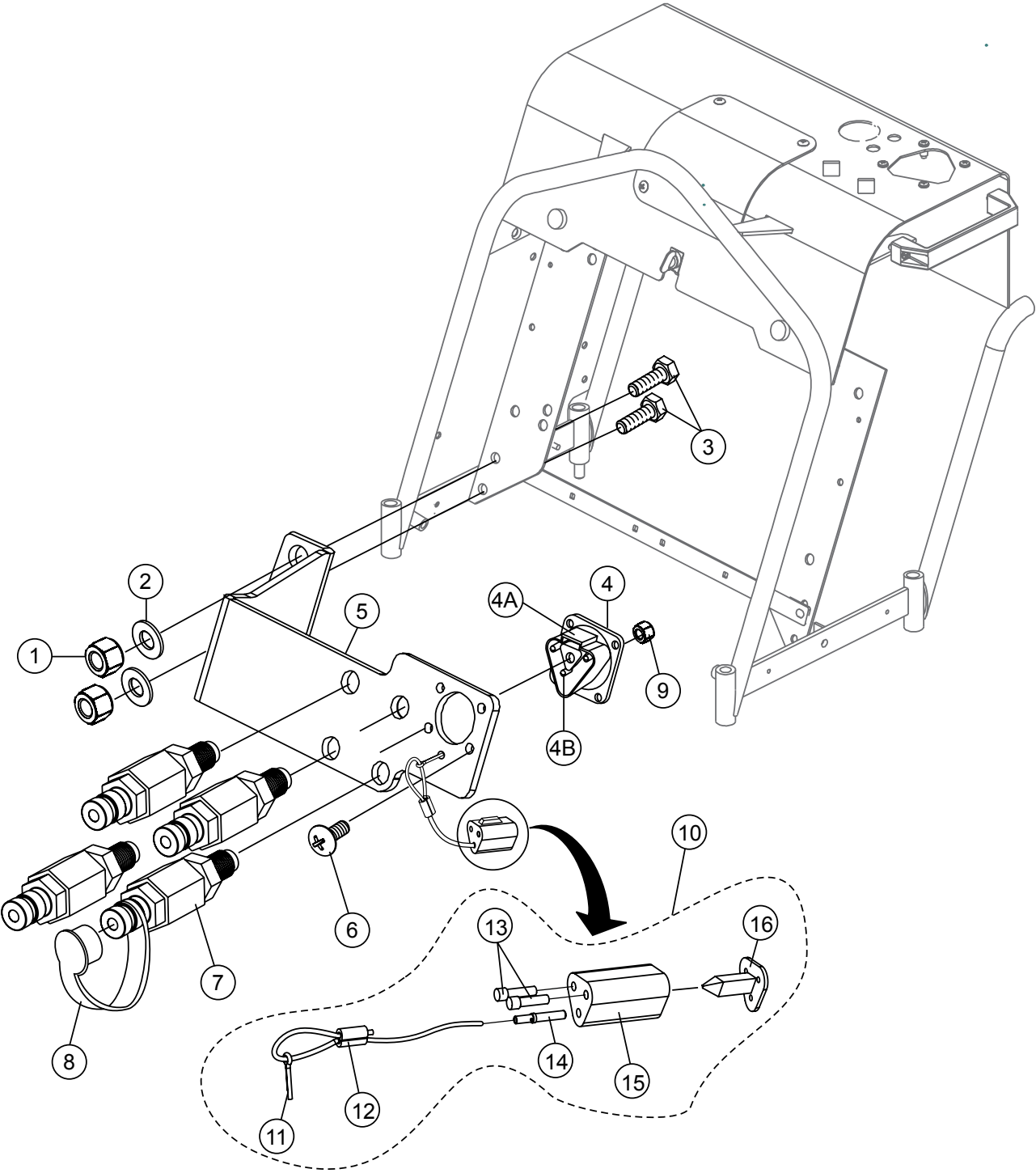
SUCTION FILTER ASSY.



SUCTION FILTER ASSY.

| <u>NO.</u> | <u>PART NO.</u> | <u>PART NAME</u> | <u>QTY.</u> | <u>REMARKS</u> |
|------------|-----------------|--------------------------------------|-------------|----------------|
| 1 | 22116 | FITTING, STR 10MJ -16MO | 1 | |
| 2 | 21400 | PLUG, HYDRAULIC HAND WHEEL | 1 | |
| 3 | 21406 | O-RING, SIZE-16 BUNA-N 90 | 1 | |
| 4 | 22115 | FITTING, TEE 16MO -16FO -16FO | 1 | |
| 5 | 21109 | SIGHT GLASS ,DASH 12 ORB STEEL | 1 | |
| 6 | 22371 | FILTER, SUCTION 5" 10 MICRON SYN LHA | 1 | |
| 7 | 21407 | FITTING, STR 20MO-20MO ADJ | 1 | |
| 8 | 22370 | HOUSING, FILTER LHA SP50S*DN2 | 1 | |
| 9 | 21814 | FITTING, 90 16MJ-20MO | 1 | |

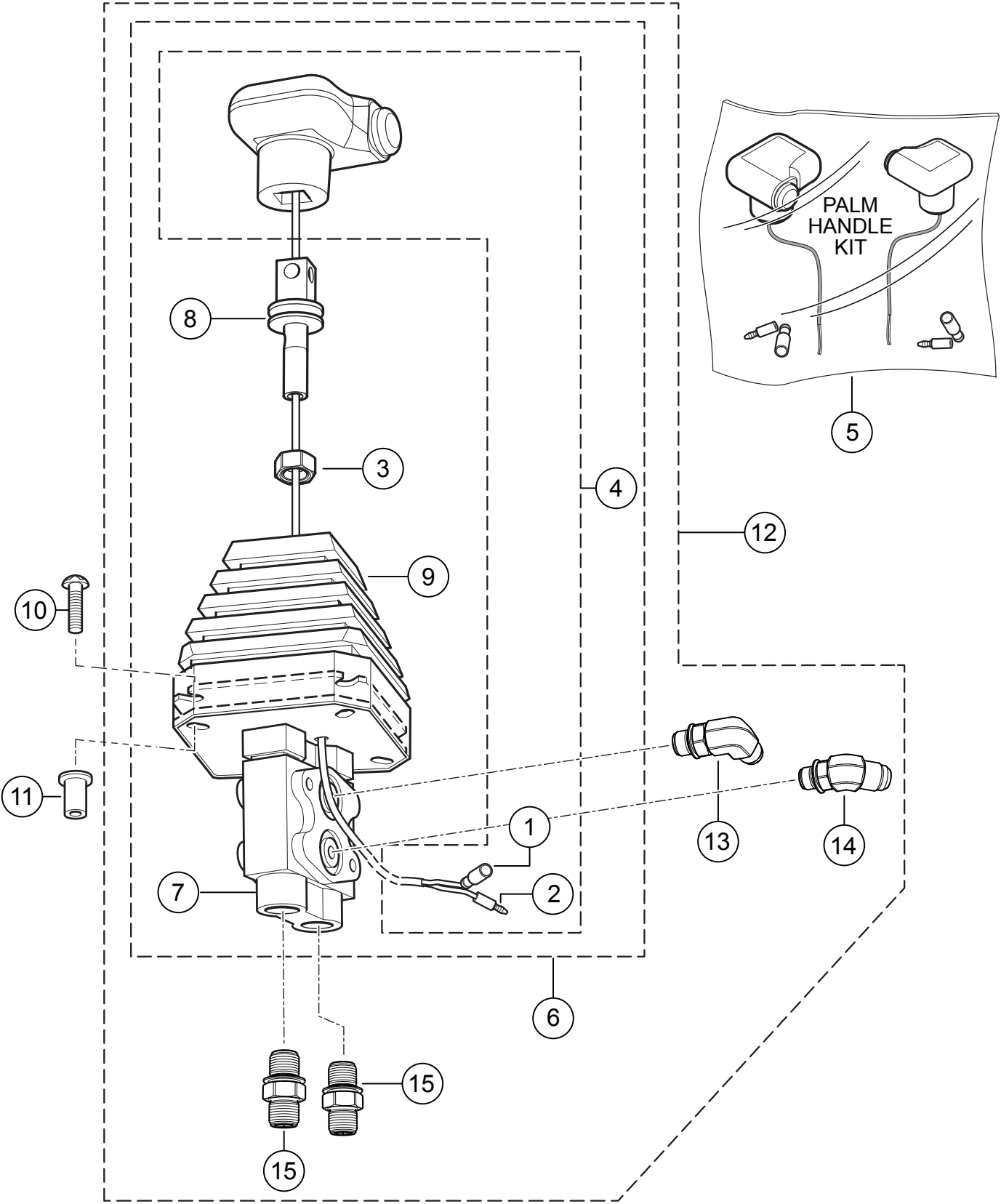
TEST PORT ASSY.



TEST PORT ASSY.

| <u>NO.</u> | <u>PART NO.</u> | <u>PART NAME</u> | <u>QTY.</u> | <u>REMARKS</u> |
|------------|-----------------|--|-------------|--------------------|
| 1 | 10133 | NUT, NYLOC 3/8-16 | 2 | |
| 2 | 10136 | WASHER, FLAT SAE 3/8 | 2 | |
| 3 | 0205 | SCREW, HHC 3/8-16 X 1.0 | 4 | |
| 4 | 22815 | RECEPTACLE, RES. 120 OHM, DEUTSCH 3 POS. | 1 | |
| 4A | 22814 | PLUG, SERVICE PORT, DEUTSCH 3 POS. | 1 | |
| 4B | 22812 | CAP, SERVICE PORT, DEUTSCH, DTM 12 POS. | 1 | |
| 5 | 22450 | MOUNT, GAUGE PORT | 1 | |
| 6 | 15175 | SCREW, PHP 8-32 X 3/4" | 4 | |
| 7 | 22789 | FITTING, SERVICE PORT, 4MJ BLK-HEAD | 4 | |
| 8 | 12148 | CAP, DUST DIAG PARKER PD6-285 | 4 | |
| 9 | 13287 | NUT, NYLOC 8-32 | 4 | |
| 10 | 23913 | LANYARD, 3-WAY PLUG, DT SERIES | 1 | INCLUDES ITEMS W/# |
| 11# | 5117 | PIN, COTTER 1/16" D x 1/2" | 1 | |
| 12# | 23914 | LANYARD, .0625 DIA GALVANIZED WIRE | 1 | |
| 13# | EE37935 | PLUG, SEALING INDUST CONN. # 12 & 16 | 2 | |
| 14# | EE37738 | PIN, CONTACT SOCKET SIZE 16 | 1 | |
| 15# | 23912 | PLUG, 3 WAY, DT SERIES | 1 | |
| 16# | EE37737 | WEDGE LOCK, 3-PIN PLUG, DT SERIES | 1 | |

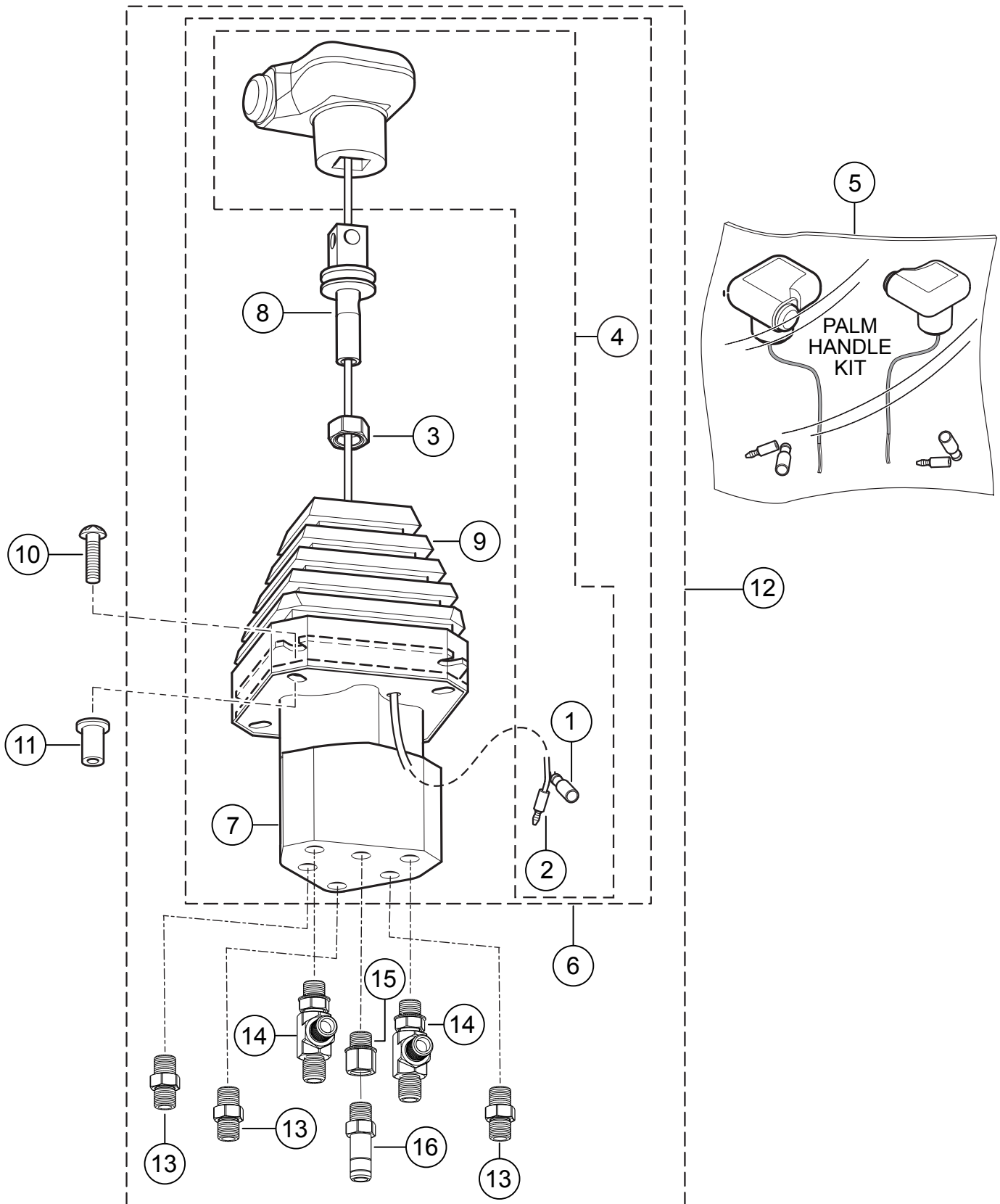
LEFT-HAND VALVE ASSY.



LEFT-HAND VALVE ASSY.

| <u>NO.</u> | <u>PART NO.</u> | <u>PART NAME</u> | <u>QTY.</u> | <u>REMARKS</u> |
|------------|-----------------|------------------------------------|-------------|---------------------|
| 1#% | 1318 | TERMINAL, BULLET, FEM, 18-22 | 1 | |
| 2#% | 4692 | TERMINAL, BULLET, MALE, 14-16 | 1 | |
| 3#% | 16083 | NUT, HEX M12-1.75 NO PLATE | 1 | |
| 4#% | 20150 | HANDLE, PALM W/SWITCH, LEFT..... | 1 | INCLUDES ITEMS W/\$ |
| 5 | 20165 | KIT, PALM HNDL W/TOGGLE SWITCH | 1 | |
| 6% | 20831 | VALVE, LH STRG W/SWITCH ASSY..... | 1 | INCLUDES ITEMS W/# |
| 7#% | 20833 | VALVE, LH STEERING | 1 | |
| 8#% | 21053 | ADAPTOR, LH PALM HANDLE | 1 | |
| 9#% | 21631 | BOOT, STEERING HANDLE | 1 | |
| 10 | 12287 | SCREW, THP 1/4-20 X 3/4" SS | 4 | |
| 11 | 19266 | NUT, BLIND 1/4-20 X .027-.165 | 4 | |
| 12 | 22862 | VALVE ASSY., HYD, LH STEERING..... | 1 | INCLUDES ITEMS W/% |
| 13% | 11722 | FITTING, 90° 6MJ-6MO | 1 | |
| 14% | 11780 | FITTING, 45° 6MJ-6MO | 1 | |
| 15% | 11721 | FITTING, STR 6MJ-6MO | 2 | |

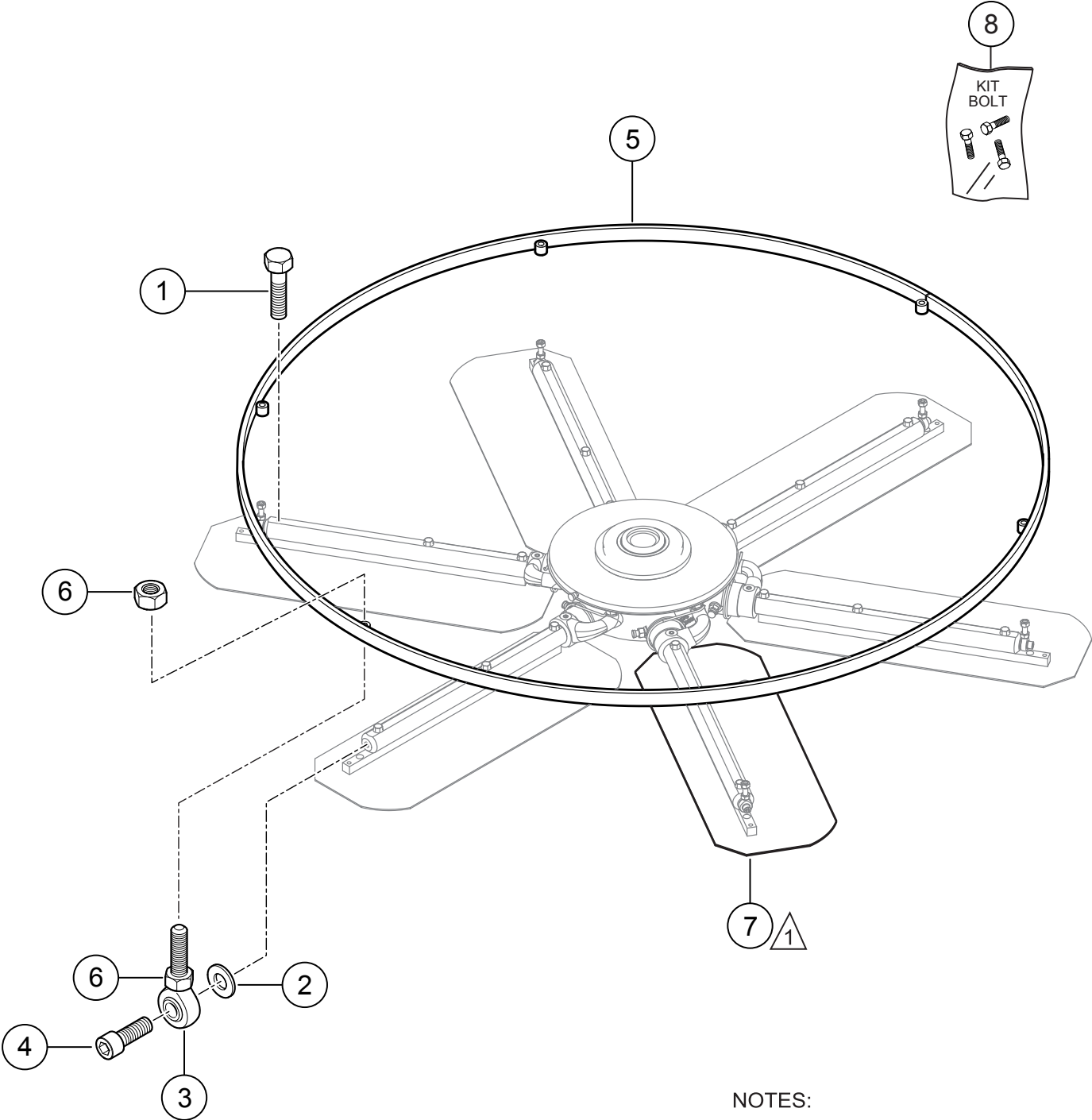
RIGHT-HAND VALVE ASSY.



RIGHT-HAND VALVE ASSY.

| <u>NO.</u> | <u>PART NO.</u> | <u>PART NAME</u> | <u>QTY.</u> | <u>REMARKS</u> |
|------------|-----------------|---------------------------------------|-------------|---------------------|
| 1#% | 1318 | TERMINAL, BULLET, FEM, 18-22 | 1 | |
| 2#% | 4692 | TERMINAL, BULLER, MALE, 14-16 | 1 | |
| 3#% | 16083 | NUT, HEX M12-1.75 NO PLATE | 1 | |
| 4#% | 20155 | KIT, PALMHANDLE RGHT, W/SWITCH..... | 1 | INCLUDES ITEMS W/\$ |
| 5 | 20165 | KIT, PALM HNDL W/TOGGLE SWITCH | 1 | |
| 6% | 20829 | VALVE, RH STEERING W/SWITCH ASSY..... | 1 | INCLUDES ITEMS W/# |
| 7#% | 20832 | VALVE, RH STEERING | 1 | |
| 8#% | 20834 | ADAPTER, PALM HANDLE | 1 | |
| 9#% | 21631 | BOOT, STEERING HANDLE | 1 | |
| 10 | 12287 | SCREW, THP 1/4-20 x 3/4" SS | 4 | |
| 11 | 19266 | NUT, BLIND 1/4-20 X .027-.165 | 4 | |
| 12 | 22861 | VALVE ASSY., HYD, RH STEERING..... | 1 | INCLUDES ITEMS W/% |
| 13% | 11721 | FITTING, STR 6MJ-6MO | 3 | |
| 14% | 12159 | FITTING, TEE 6MJ-6MJ-6MO RUN | 2 | |
| 15% | 21114 | FITTING, STR 6FO-6MO | 1 | |
| 16% | 21115 | FITTING, STR 6MJ-6MO LONG | 1 | |

STABILIZER ASSY.



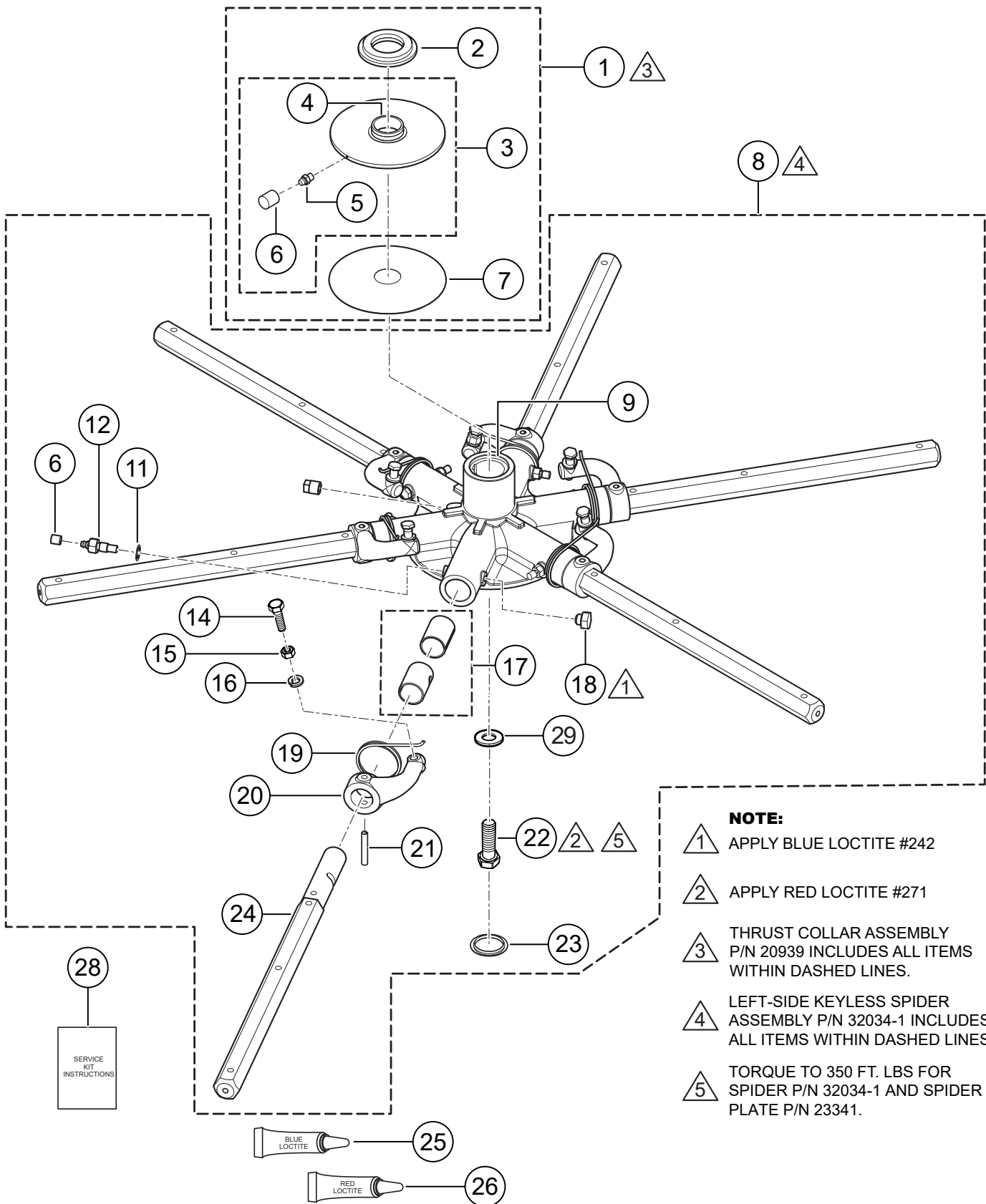
NOTES:

△ 1 TO PURCHASE BLADES
CONTACT UNIT SALES DEPT.

STABILIZER ASSY.

| <u>NO.</u> | <u>PART NO.</u> | <u>PART NAME</u> | <u>QTY.</u> | <u>REMARKS</u> |
|------------|-----------------|---------------------------------|-------------|--------------------|
| 1@ | 22174 | SCREW, HHFS 5/16-18 X 1-3/4 GR5 | 38 | |
| 2 | 0300 B | WASHER, FLAT SAE 5/16" | 12 | |
| 3 | 1723 | ROD END 5/16-24 MALE RH | 12 | |
| 4 | 1237 | SCREW, SHC 5/16-18 X 7/8" NYLOC | 12 | |
| 5 | 32031 | RING, STABILIZER W/A 6 BLD | 2 | |
| 6 | 6014 C | NUT, HEX FINISH 5/16-24 | 24 | |
| 7 | | BLADE ASSY..... | 12..... | CONTACT UNIT SALES |
| 8 | 23642 | KIT, BOLT SAE BLADE..... | 1..... | INCLUDES ITEM W/@ |

6-BLADE SPIDER ASSY. (LEFT-SIDE)



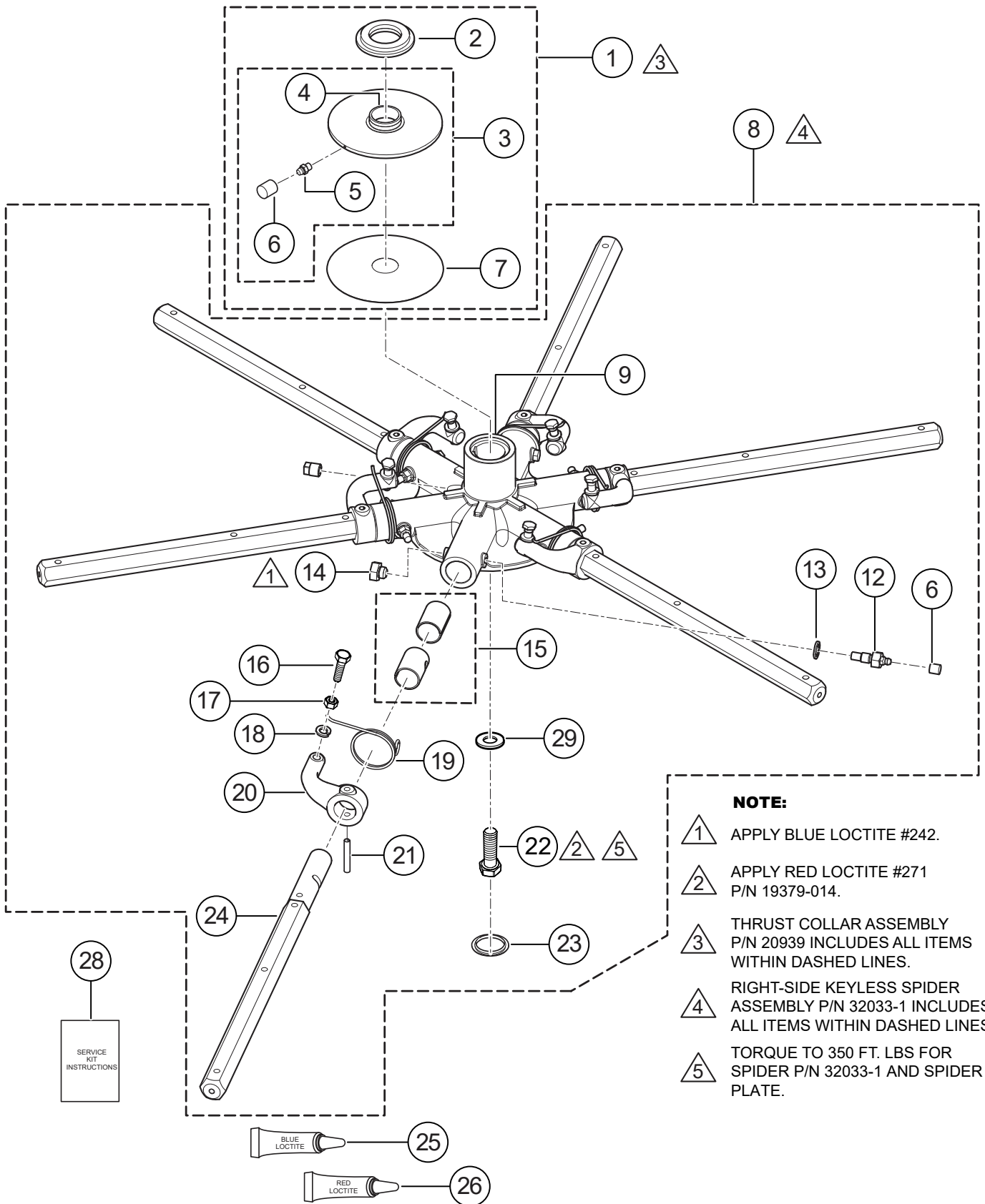
6-BLADE SPIDER ASSY. (LEFT-SIDE)

| <u>NO.</u> | <u>PART NO.</u> | <u>PART NAME</u> | <u>QTY.</u> | <u>REMARKS</u> |
|------------|-----------------|--|-------------|--------------------------|
| 1 | 20939 | THRUST COLLAR ASSY. | 1..... | INCLUDES ITEMS W/@ |
| 2@ | 12779 | BEARING, THRUST 6017 2 RS. W/FLANGE | 1 | |
| 3@ | 12315 | THRUST COLLAR W/BUSHING | 1..... | INCLUDES ITEMS W/\$ |
| 4@\$ | 12316 | BUSHING, THRUST COLLAR | 1 | |
| 5@ | 2621 | ZERK, GREASE STR 1/4-28 | 1 | |
| 6#@ | 1162 A | CAP, GREASE ZERK #2 | 7 | |
| 7@ | 12250 | PLATE, WEAR | 1 | |
| 8 | 32034-1 | SPIDER ASSY., TAPERED, LS SILVER | 1..... | INCLUDES ITEMS W/# |
| 9# | 23341 | SPIDER, 6 BLD TAPERED SPIDER KIT | 1..... | INCLUDES ITEMS W/% |
| 10# | 0121 A | FITTING, PLUG 3/8 MP SQ HEAD | 1 | |
| 11# | 1875 | WASHER, INT. SHKP. 3/8 | 6 | |
| 12# | 1322 | SCREW, RETAINING | 6 | |
| 14# | 21031 | SCREW, HHC RND"7/16-14 UNC SPCL GR8 | 6 | |
| 15# | 07034-007 | NUT, HEX JAM 7/16-14 | 6 | |
| 16# | 2955 | WASHER, LOCK 7/16 MED | 6 | |
| 17# | 11039 | BUSHING, ARM 2 PIECE | 12 | |
| 18#% | 11602 | SCREW, HHC 3/8-16 X 1/4 | 6 | |
| 19# | 9111 | SPRING, LS ARM RETURN, SMALL BOSS | 6 | |
| 20# | 21049-1 | LEVER, TROWEL ARM, LS SILVER | 6 | |
| 21# | 32045 | PIN, COILED SPRING 5/16-2.00" | 6 | |
| 22#% | 32788 | SCREW, HHC 3/4-16 X 2-1/4" GRD 8 | 1 | |
| 23#% | 20121 | PLUG, SPIDER SNAP IN | 1 | |
| 24# | 2829-1 | ARM, TROWEL, HD EXTENDED SILVER | 6 | |
| 25#% | 1477 | LOCTITE 242 BLUR .5CC | 1 | |
| 26#% | 19379-014 | LOCTITE 271 RED, ANAEROBIC | 1 | |
| 28% | 23342 | INSTRUCTIONS, TAPERED SPIDER KIT | 1..... | TO OBTAIN COPY SEE BELOW |
| 29#% | 933247 | WASHER, FLAT SAE 3/4 GRD9 | 1 | |

TO OBTAIN A COPY OF INSTRUCTIONS P/N 32771 GO TO:

[HTTP://SERVICE.MULTIQUIP.COM/PDFS/HTX-STX_UNIVERSAL_TAPERED_KEYLESS_SPIDER_INSTALLATION_INSTRUCTIONS_REV_0_P_N_32771.PDF](http://SERVICE.MULTIQUIP.COM/PDFS/HTX-STX_UNIVERSAL_TAPERED_KEYLESS_SPIDER_INSTALLATION_INSTRUCTIONS_REV_0_P_N_32771.PDF)

6-BLADE SPIDER ASSY. (RIGHT-SIDE)



NOTE:

- ▲ 1 APPLY BLUE LOCTITE #242.
- ▲ 2 APPLY RED LOCTITE #271 P/N 19379-014.
- ▲ 3 THRUST COLLAR ASSEMBLY P/N 20939 INCLUDES ALL ITEMS WITHIN DASHED LINES.
- ▲ 4 RIGHT-SIDE KEYLESS SPIDER ASSEMBLY P/N 32033-1 INCLUDES ALL ITEMS WITHIN DASHED LINES.
- ▲ 5 TORQUE TO 350 FT. LBS FOR SPIDER P/N 32033-1 AND SPIDER PLATE.

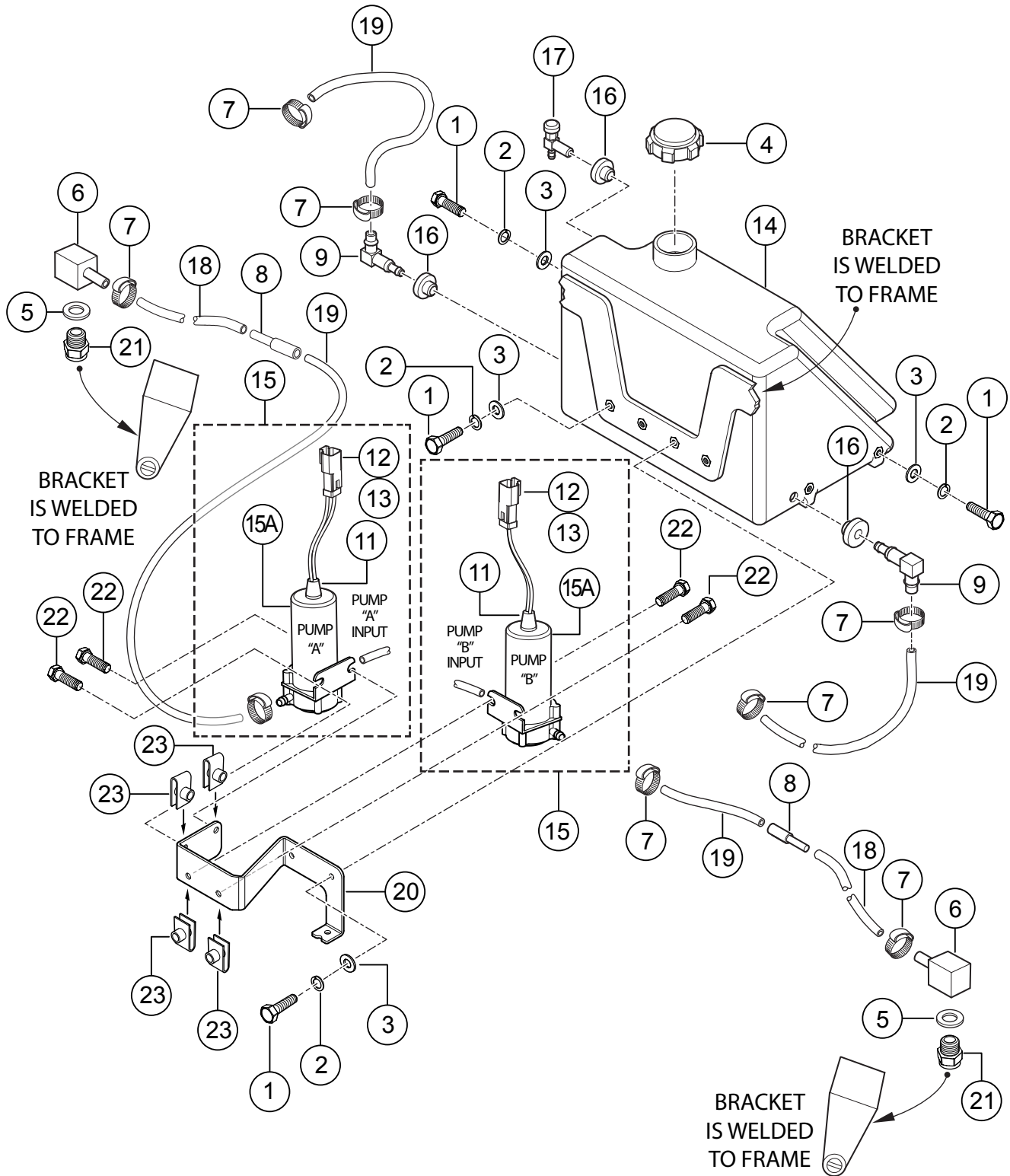
6-BLADE SPIDER ASSY. (RIGHT-SIDE)

| NO. | PART NO. | PART NAME | QTY. | REMARKS |
|------------|-----------------|---|-------------|--------------------------|
| 1 | 20939 | THRUST COLLAR ASSY. | 1 | INCLUDES ITEMS W/@ |
| 2@ | 12779 | BEARING, THRUST 6017 2 RS W/FLANGE | 1 | |
| 3@ | 12315 | THRUST COLLAR W/BUSHING | 1 | INCLUDES ITEM W/\$ |
| 4@\$ | 12316 | BUSHING, THRUST COLLAR | 1 | |
| 5@ | 2621 | ZERK, GREASE ZERK #2 | 6 | |
| 6#@ | 1162 A | CAP, GREASE ZERK #2 | 7 | |
| 7@ | 12250 | PLATE, WEAR | 1 | |
| 8 | 32033-1 | SPIDER ASSY. , TAPERED RS..SILVER..... | 1 | INCLUDES ITEMS W/# |
| 9# | 23341 | SPIDER, 6 BLD TAPERED SPIDER KIT | 1 | INCLUDES ITEMS W/% |
| 12# | 1322 | SCREW, RETAINING | 6 | |
| 13# | 1875 | WASHER, INT. SHKP. 3/8 | 6 | |
| 14#% | 11602 | SCREW, HHC 3/8-16 X 1/4 | 6 | |
| 15# | 11039 | BUSHING ARM 2 PIECE | 12 | |
| 16# | 21031 | SCREW, HHC RND' 7/16-14 UNC SPCL GR8 | 6 | |
| 17# | 07034-007 | NUT, HEX JAM 7/16-14 | 6 | |
| 18# | 2955 | WASHER, LOCK, 7/16 MED. | 6 | |
| 19# | 2143 | SPRING, RS ARM RETURN, SMALL BOSS | 6 | |
| 20# | 21050-1 | LEVER, TROWEL ARM HYD. RS. SILVER | 6 | |
| 21# | 32045 | PIN, COILED SPRING 5/16 X 2 | 6 | |
| 22#% | 32788 | SCREW, HHC 3/4-16 X 2-1/4" GRD 8 | 1 | |
| 23 | 20121 | PLUG, SPIDER SNAP IN | 1 | |
| 24# | 2829-1 | ARM, TROWEL, 6 BLADE SILVER | 6 | |
| 25#% | 1477 | LOCTITE 242 BLUE .5CC | AR | |
| 26#% | 19379-014 | LOCTITE 271 RED, ANAEROBIC | AR | |
| 28#% | 23342 | INSTRUCTIONS, TAPERED SPIDER KIT | 1 | TO OBTAIN COPY SEE BELOW |
| 29#% | 933247 | WASHER, FLAT SAE 3/4 GRD 9YZ | 1 | |

TO OBTAIN A COPY OF INSTRUCTIONS P/N 32771 GO TO:

[HTTP://SERVICE.MULTIQUIP.COM/PDFS/HTX-STX_UNIVERSAL_TAPERED_KEYLESS_SPIDER_INSTALLATION_INSTRUCTIONS_REV_0_P_N_32771.PDF](http://SERVICE.MULTIQUIP.COM/PDFS/HTX-STX_UNIVERSAL_TAPERED_KEYLESS_SPIDER_INSTALLATION_INSTRUCTIONS_REV_0_P_N_32771.PDF)

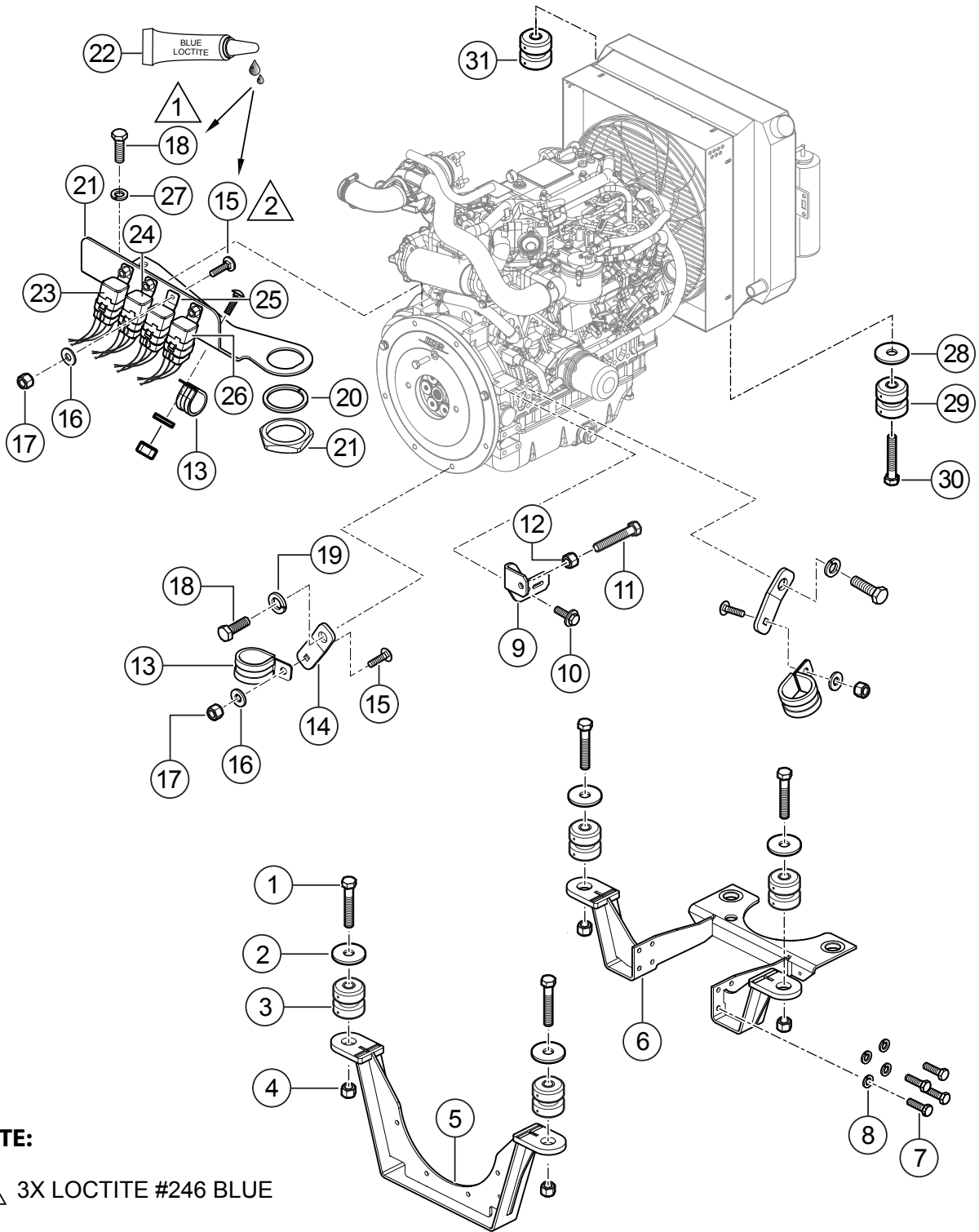
SPRAY ASSY.



SPRAY ASSY.

| <u>NO.</u> | <u>PART NO.</u> | <u>PART NAME</u> | <u>QTY.</u> | <u>REMARKS</u> |
|------------|-----------------|---|-------------|---------------------|
| 1 | 0131 A | SCREW, HHC 1/4-20 X 3/4" | 6 | |
| 2 | 0181 B | WASHER, LOCK 1/4" MED | 6 | |
| 3 | 0948 | WASHER, FLAT 1/4" SAE | 6 | |
| 4 | 2108 | CAP, SPRAY TANK | 1 | |
| 5 | 2898 | WASHER, ROUNDED NEOPRENE 1" X 1/2" | 2 | |
| 6 | 2912 | FITTING 90° | 2 | |
| 7 | 2918 | CLAMP HOSE .475-.536 ID | 8 | |
| 8 | 10022 | FITTING, PLASTIC-TEE 1/4" BARB | 2 | |
| 9 | 29677 | FITTING, 90° FUEL | 2 | |
| 11# | 12171 | SEAL, WPACK 16-18 (GRN) | 4 | |
| 12# | 12176 | CONNECTOR, WEATHERPACK 2 MALE PIN | 2 | |
| 13# | 12179 | TERMINAL, WEATHERPACK MALE 14-16 GA | 4 | |
| 14 | 12403 | TANK | 1 | |
| 15 | 23434 | PUMP, SPRAY W/CONNECTORS..... | 2..... | INCLUDES ITEMS W/ # |
| 15A# | 12548 | PUMP, SPRAY | 2 | |
| 16 | 19633 | BUSHING, RUBBER FUEL | 5 | |
| 17 | 19661 | VALVE, DRAIN | 1 | |
| 18 | 60001 | HOSE, .25ID X .375OD TYGON 7FT 5IN..... | 8..... | 1PC=1FT |
| 19 | 60002 | HOSE, .375ID X .5OD TYGON 4FT 3IN..... | 5..... | 1PC=1FT |
| 20 | 22449 | MOUNT,SPRAY PUMP | 1 | |
| 21 | 392292 | NOZZLE, SPRAY2 | 2 | |
| 22 | 923203 | SCREW, SHC 1/4-20 X 3/4" | 4 | |
| 23 | 11534 | NUT, "U" TYPE, 1/4--20 | 4 | |

ENGINE MOUNTING ASSY.



NOTE:

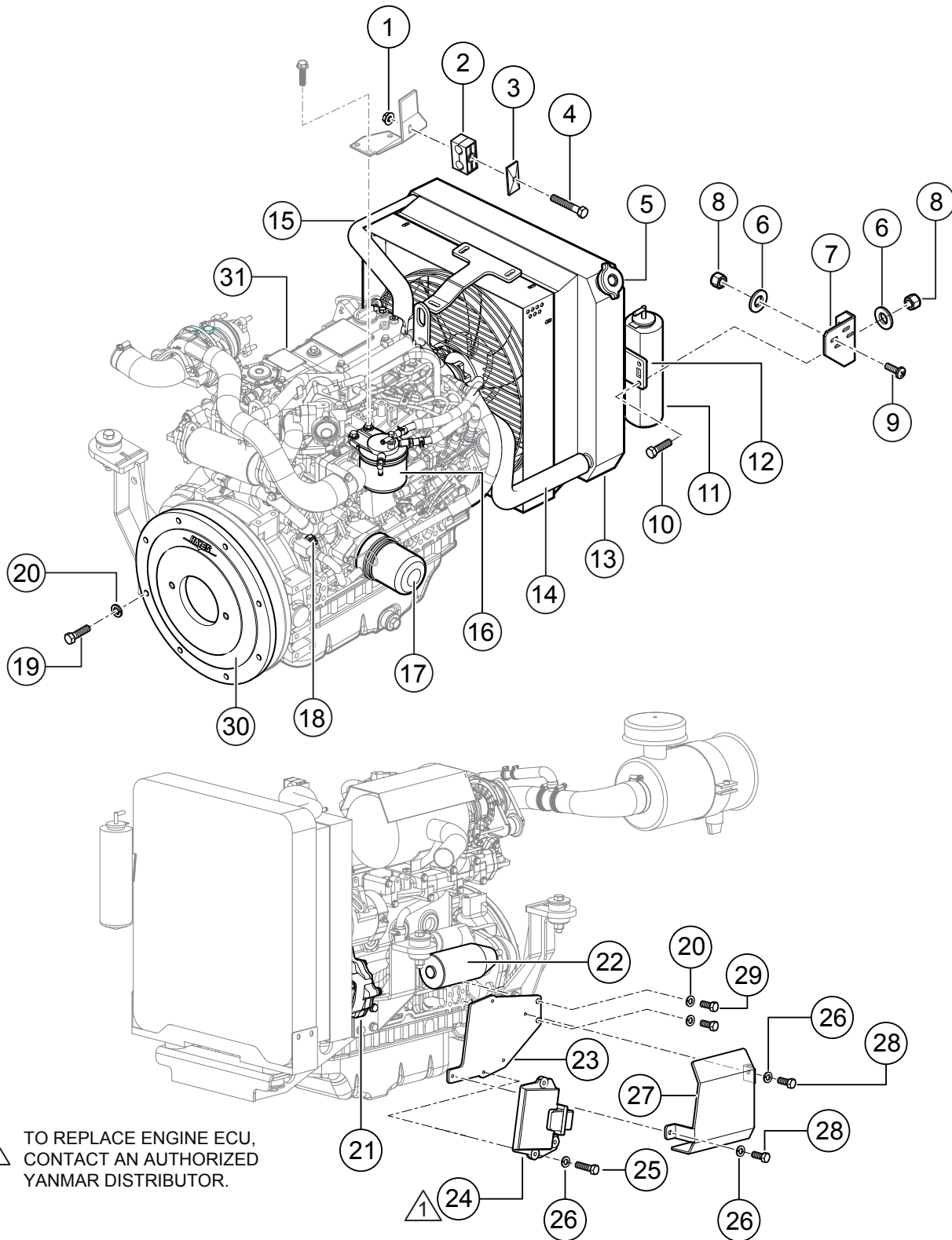
△ 1 3X LOCTITE #246 BLUE

△ 2 8X LOCTITE #246 BLUE

ENGINE MOUNTING ASSY.

| <u>NO.</u> | <u>PART NO.</u> | <u>PART NAME</u> | <u>QTY.</u> | <u>REMARKS</u> |
|------------|-----------------|--------------------------------------|-------------|--------------------|
| 1 | 2549 | SCREW, HHC 1/2-13 X 3" | 4 | |
| 2 | 20743 | WASHER, ISO SNUB KROFUND | 4 | |
| 3 | 20742 | ISOLATOR, RB2 RING/BUSHING | 4 | |
| 4 | 10176 | NUT, NYLOC 1/2-13 | 4 | |
| 5 | 22339 | MOUNT, REAR ENGINE | 1 | |
| 6 | 22311 | MOUNT, FRONT ENGINE | 1 | |
| 7 | 16056 | SCREW, HHC M10-1.5 X 25MM GRD 8.8 | 10 | |
| 8 | 2955 | WASHER, LOCK 7/16" ZINC | 16 | |
| 9 | 22696 | STOP, PUMP STROKER | 1 | |
| 10 | 22021 | SCREW, HEX FLG M8-1.25 X 20MM GR10.9 | 2 | |
| 11 | 20473 | SCREW, HHC 3/8-16 X 3" FULL THRD GRD | 1 | |
| 12 | 1456 | NUT, HEX FINISH 3/8-16 | 1 | |
| 13 | 79000511 | CLAMP, LOOP CUSHIONED #16 0.25 HOLE | 4 | |
| 14 | 23872 | BRACKET, ADAPTER | 2 | |
| 15 | 22131 | BOLT, CARRIAGE 10-32 X 3/4" ZINC | 8 | |
| 16 | 2203 | WASHER, FLAT #10 | 8 | |
| 17 | 10019 | NUT, NYLOC 10-32 | 8 | |
| 18 | 16056 | SCREW, HHC M10-1.5 X 25MM GRD 8.8 | 14 | |
| 19 | 23901 | NUT, PANEL, DEUTSCH 24 | 1 | |
| 20 | 23902 | LOCKWASHER, PANEL | 1 | |
| 21 | 23871 | MOUNT, ENGINE HARNESS | 1 | |
| 22 | 60097 | LOCTITE, #246 BLUE | AR | |
| 23 | 32096 | RELAY, ENGINE, SUB..... | 1..... | REPLACES P/N 32097 |
| 24 | 32096 | RELAY, ENGINE, MAIN | 1 | |
| 25 | 32094 | RELAY, ENGINE, PRE-HEAT | 1..... | REPLACES P/N 32095 |
| 26 | 32094 | RELAY, ENGINE. STARTER | 1 | |
| 27 | 0948 | WASHER, FLAT, SAE, 1/4" | 4 | |
| 28 | 64700096 | WASHER, 1/2" x 2"D | 2 | |
| 29 | 68800002 | ISOLATORS, RADIATOR, MOUNT | 2 | |
| 30 | 64900093 | SCREW, 1/2-13 X 2-3/4" | 2 | |
| 31 | 68800001 | ISOLATOR | 1 | |

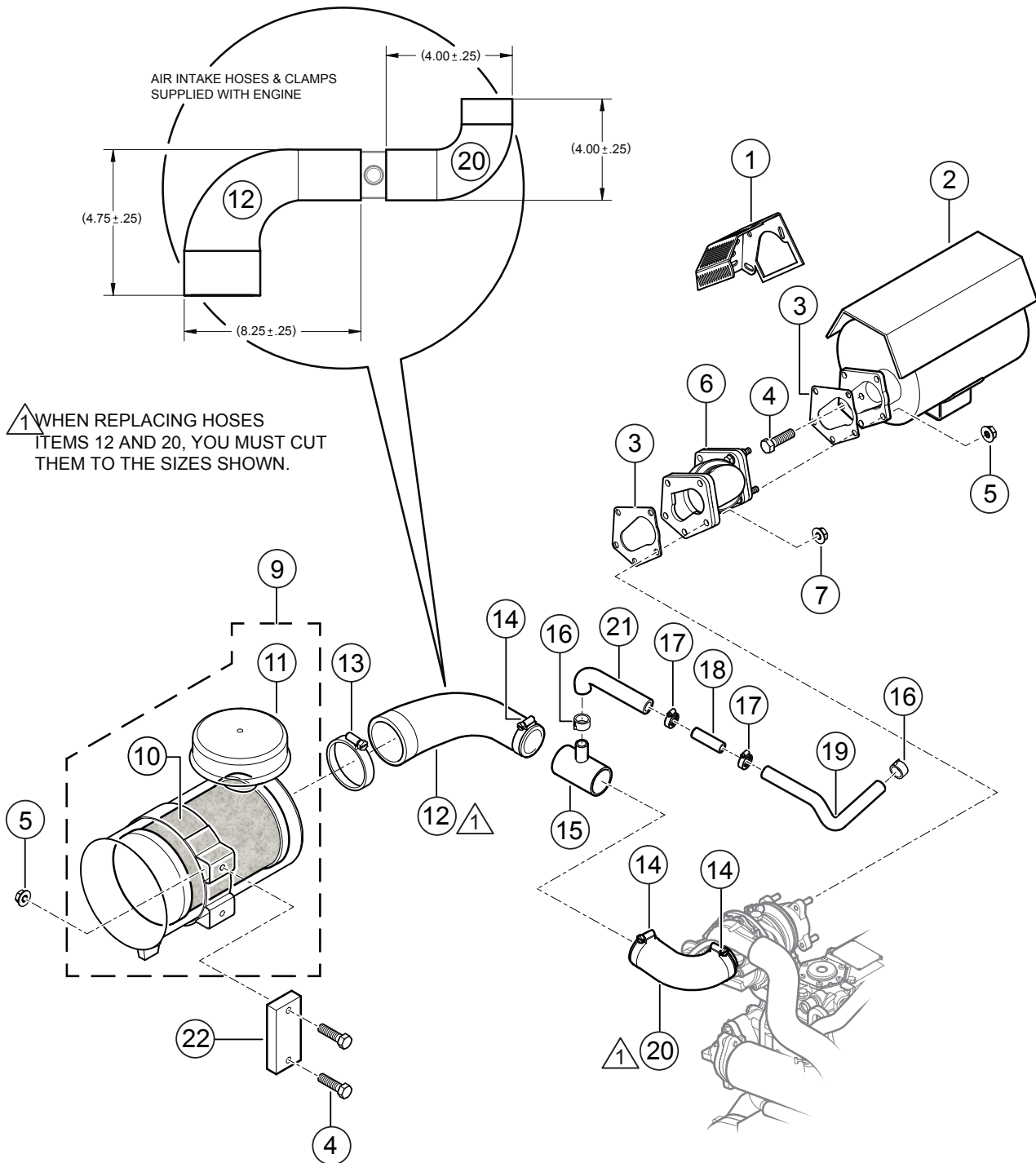
ENGINE COMPONENTS AND RADIATOR ASSY.



ENGINE COMPONENTS AND RADIATOR ASSY.

| <u>NO.</u> | <u>PART NO.</u> | <u>PART NAME</u> | <u>QTY.</u> | <u>REMARKS</u> |
|------------|-----------------|------------------------------------|-------------|---------------------------|
| 1 | 49071 | NUT, FLANGED 5/16-18 SERRATED PLTD | 1 | |
| 2 | 20913 | CLAMP, 0.75 OD TUBE STAUFF | 1 | |
| 3 | 20912 | COVER, 0.75 OD TUBE STAUFF | 1 | |
| 4 | 06500-020 | SCREW, HHC 5/16-18 X 2-1/2" | 1 | |
| 5 | 69300001 | RADIATOR CAP | 1 | |
| 6 | 0948 | WASHER, FLAT SAE 1/4" | 4 | |
| 7 | 21947 | BRACKET, RAD. BOTTLE MOUNT | 1 | |
| 8 | 10024 | NUT, NYLOC 1/4-20 | 4 | |
| 9 | 12287 | SCREW, THP 1/4-20 X 3/4" SS | 2 | |
| 10 | 0131 A | SCREW, HHC 1/4-20 X 3/4" | 2 | |
| 11 | 12125244510 | SUB RESEVOIR | 1 | |
| 12 | 12125644600 | BRACKET, RADIATOR BOTTLE | 1 | |
| 13 | 79000511 | RADIATOR | 1 | |
| 14 | 68900480 | HOSE, RADIATOR LOWER | 1 | |
| 15 | 68900479 | HOSE, RADIATOR UPPER | 1 | |
| 16 | 11980255801 | FILTER, FUEL | 1 | |
| 17 | 12915035153 | FILTER, OIL | 1 | |
| 18 | 11976139450 | SWITCH, OIL PRESSURE | 1 | |
| 19 | 21584 | SCREW, HHC M10-1.5 X 35MM GRD 10.9 | 6 | |
| 20 | 2955 | WASHER, LOCK 7/16" ZINC | 8 | |
| 21 | 11962677210 | ALTERNATOR, 12V 55AMP | 1 | |
| 22 | 12913677011 | STARTER | 1 | |
| 23 | 22888 | MOUNT, ENGINE ECU | 1 | |
| 24 | 12992775900 | ECU ASSY. | 1 |PURCHASE FROM YANMAR |
| 25 | 0202 | SCREW, HHC 5/16-18 X 1" ZINC | 3 | |
| 26 | 0161 C | WASHER, LOCK 5/16" MED | 5 | |
| 27 | 22887 | COVER, ENGINE ECU | 1 | |
| 28 | 0655 | SCREW, HHC 5/16-18 X 3/4" | 2 | |
| 29 | 16056 | SCREW, HHC M10-1.5 X 25MM GRD8.8 | 2 | |
| 30 | 22328-01 | COUPLER, HAYES | 1 | |
| 31 | 22329 | ENGINE ASSY., YANMAR 4TNV84TZDSA2 | 1 | |

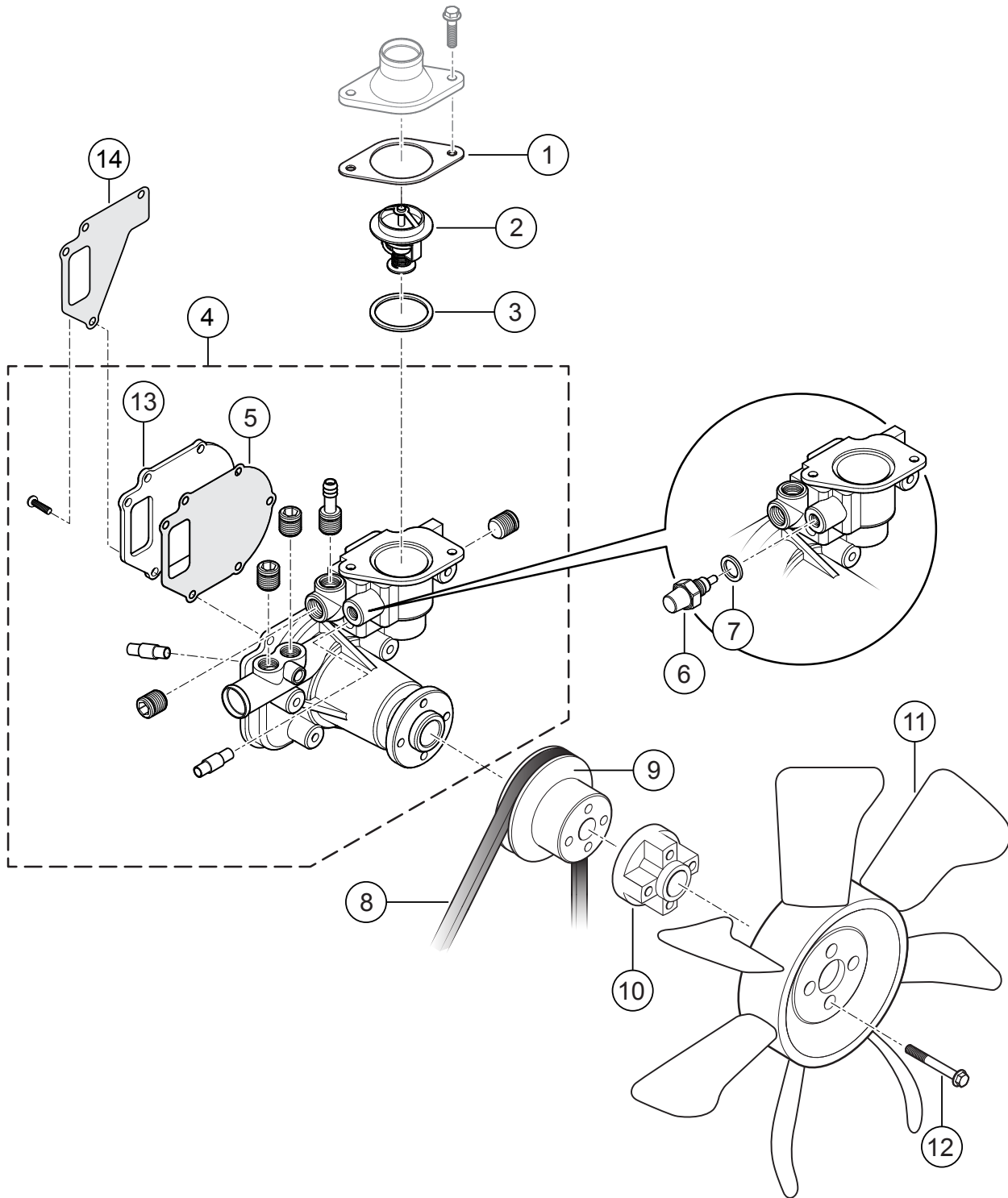
AIR CLEANER AND EXHAUST ASSY.



AIR CLEANER AND EXHAUST ASSY.

| <u>NO.</u> | <u>PART NO.</u> | <u>PART NAME</u> | <u>QTY.</u> | <u>REMARKS</u> |
|------------|-----------------|--|-------------|---------------------|
| 1 | 22682 | GUARD, MUFFLER | 1 | |
| 2 | 22876 | MUFFLER | 1 | |
| 3 | 21755 | GASKET, MUFFLER, YANMAR 55HP | 2 | |
| 4 | 21906 | SCREW, HHFS 5/16-18 X 1-1/2" GRD 5 | 7 | |
| 5 | 49071 | NUT, FLANGED 5/16-18 SERRATED PLTD | 8 | |
| 6 | 22680 | TUBE, MUFFLER EXHAUST | 1 | |
| 7 | 26306080002 | NUT, EXHAUST TUBE | 5 | |
| 9 | KAC8 | AIR CLEANER ASSY..... | 1 | INCLUDES ITEMS W/\$ |
| 10\$ | PMAF25436 | CARTRIDGE, AIR CLEANER | 1 | |
| 11\$ | 12968712600 | RAIN CAP ASSY. | 1 | |
| 12 | 129560912080 | HOSE, AIR INTAKE | 1 | |
| 13 | Y23000080000 | CLAMP, HOSE 80 | 1 | |
| 14 | Y23000060000 | CLAMP, HOSE 60 | 3 | |
| 15 | 12950903050 | JOINT, BREATHER | 1 | |
| 16 | 12941003990 | CLAMP, HOSE 22 | 2 | |
| 17 | 15538 | CLAMP, HOSE WORM #6 7/16 TO 11/16 | 2 | |
| 18 | 22853 | TUBE, HOSE SECTION | 1 | |
| 19 | 60130 | HOSE, FUEL 5/8ID SAE 30R7 9" LONG..... | 1 | 1PC=1FT |
| 20 | 12950912070 | HOSE, AIR INTAKE | 1 | |
| 21 | 12950903090 | HOSE, BREATHER | 1 | |
| 22 | 21989 | SPACER, .75 X 2.0 X 4.5 UHMW | 1 | |

WATER PUMP, FAN, V-BELT ASSY



WATER PUMP, FAN, V-BELT ASSY

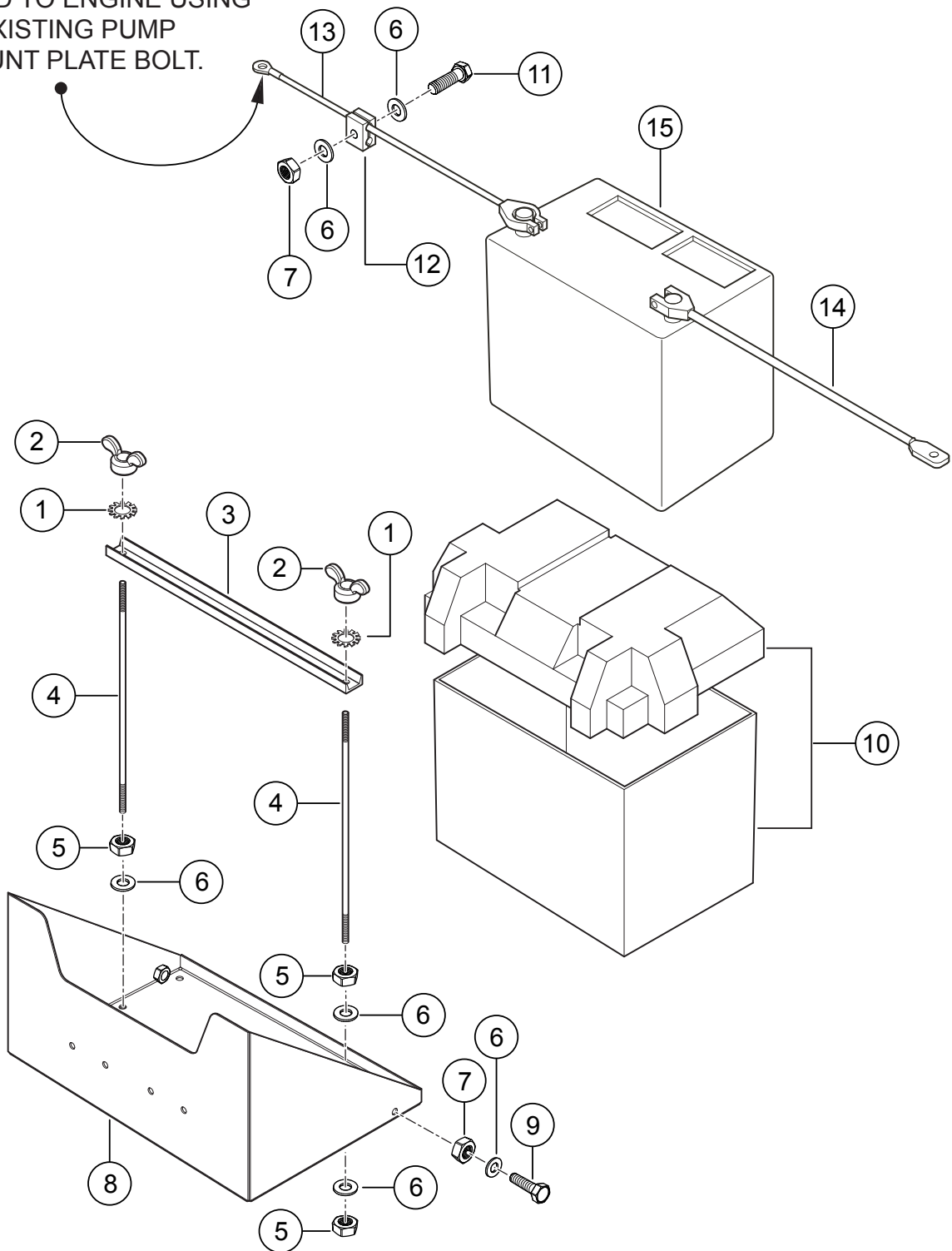
| <u>NO.</u> | <u>PART NO.</u> | <u>PART NAME</u> | <u>QTY.</u> | <u>REMARKS</u> |
|-------------------|------------------------|-------------------------|--------------------|-----------------------|
| 1 | 12979549551 | GASKET, COVER | 1 | |
| 2 | 12915549801 | THERMOSTAT | 1 | |
| 3 | 12915049811 | GASKET, THERMOSTAT | 1 | |
| 4 | 12950942010 | PUMP ASSY., WATER | 1 | |
| 5\$ | 12910042051 | GASKET, WATER PUMP | 1 | |
| 6 | 12992744900 | THERMOMETER | 1 | |
| 7 | 22190120002 | SEAL, WASHER 12 | 1 | |
| 8 | 12925842290 | V-BELT | 1 | |
| 9 | 12940342380 | V-PULLEY, WATER PUMP | 1 | |
| 10 | 17135344760 | SPACER, FAN | 1 | |
| 11 | 12961244700 | FAN, PUSHER | 1 | |
| 12 | 26106060402 | BOLT, M 6 X 40 PLATED | 4 | |
| 13\$ | 12910042121 | PLATE | 1 | |
| 14 | 12948642021 | GASKET | 1 | |

FUEL SYSTEM ASSY.

| <u>NO.</u> | <u>PART NO.</u> | <u>PART NAME</u> | <u>QTY.</u> | <u>REMARKS</u> |
|------------|-----------------|---|-------------|---------------------|
| 1 | 60028 | HOSE, FUEL .312 LOW PERM 50 PSI 46" | 4..... | 1PC=1FT |
| 2 | 19473 | CLAMP, HOSE WORM #2 1/4 TO 5/8..... | 8..... | |
| 3 | 60028 | HOSE, FUEL .312 LOW PERM 50 PSI 58" | 5..... | 1PC=1FT |
| 4 | 60028 | HOSE, FUEL .312 LOW PERM 50 PSI 12" | 1..... | 1PC=1FT |
| 5 | 60028 | HOSE, FUEL .312 LOW PERM 50 PSI 29" | 3..... | 1PC=1FT |
| 6 | 12924255700 | FUEL SEPARATOR..... | 1..... | INCLUDES ITEMS W/\$ |
| 6A\$ | 12924255730 | ELEMENT, FUEL SEPARATOR | 1 | |
| 7 | 0300 B | WASHER, FLAT SAE 5/16 | 1 | |
| 8 | 36720 | SCREW, HHFS 5/16-18 X 3/4 GR5 | 1 | |
| 9 | 1404 | SCREW, HHC 5/16-18 X 3-1/4 GR5 | 1 | |
| 10 | 35358 | PALNUT, U. 5/16-18 X .05/.20 PANEL | 2 | |
| 11 | 0131 A | SCREW, HHC 1/4-20 X 3/4 | 4 | |
| 12 | 0948 | WASHER, FLAT SAE 1/4 | 8 | |
| 13 | 11922552102 | PUMP, FUEL | 1 | |
| 14 | 10024 | NUT, NYLOC 1/4-20 | 4 | |
| 15 | 22757 | GUARD, SPLASH SEDIMENT BULB | 1 | |
| 16 | W12023 | FITTING, 90 5MBARB X 6-4SBARB | 2 | |
| 17 | 60058 | HOSE, 1/4 X 3/8 PCV, YELLOW FUEL..... | 1..... | 1PC=1FT |
| 18 | 12010 | SCREEN, FILTER | 1 | |
| 19 | 19633 | BUSHING, RUBBER FUEL | 2 | |
| 20 | 23515 | CAP, RATCHET W/GAUGE "DIESEL" (10.5") | 1 | |
| 21 | 21576 | TANK, 11 GALLON POLYETHLENE | 1 | |

BATTERY ASSY.

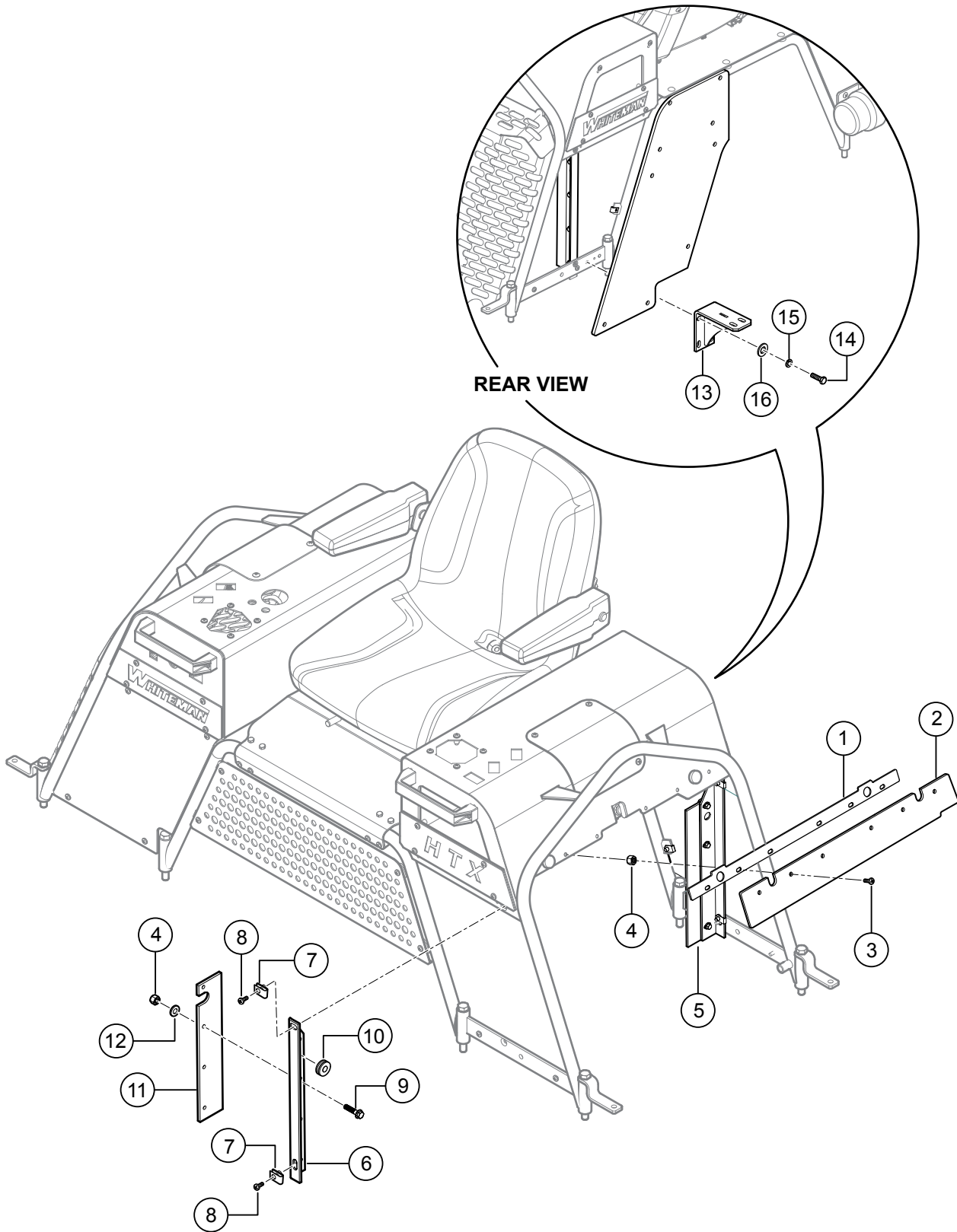
GROUND TO ENGINE USING
EXISTING PUMP
MOUNT PLATE BOLT.



BATTERY ASSY.

| <u>NO.</u> | <u>PART NO.</u> | <u>PART NAME</u> | <u>QTY.</u> | <u>REMARKS</u> |
|------------|-----------------|---------------------------------------|-------------|----------------|
| 1 | 10031 | WASHER, EXT SHKP 1/4 | 8 | |
| 2 | 2509 | NUT, WING 1/4-20 PLATED | 2 | |
| 3 | 11692 | BRACKET, BATTERY BOX HOLD DOWN | 1 | |
| 4 | 11693 | BOLT, BATTERY BRACKET | 2 | |
| 5 | 0949 | NUT, HEX FINISH 1/4-20 | 6 | |
| 6 | 0948 | WASHER, FLAT 1/4" SAE | 9 | |
| 7 | 10024 | NUT, NYLOC 1/4-20 | 5 | |
| 8 | 20696 | BATTERY BOX | 1 | |
| 9 | 0730 | SCREW, HHC 1/4-20 X 1 | 4 | |
| 10 | 10318 | BATTERY BOX, GROUP 24 | 1 | |
| 11 | 12275 | SCREW, HHC 1/4-20 X 1" | 1 | |
| 12 | 12273 | CLAMP, 3/8 TUBE | 1 | |
| 13 | 22809 | CABLE, BATTERY, NEGATIVE 62" 6GA. | 1 | |
| 14 | 22808 | CABLE, BATTERY, POSITIVE RED 55" 6GA. | 1 | |
| 15 | | BATTERY, OPTIMA 8022-091 | 1..... | OBTAIN LOCALLY |

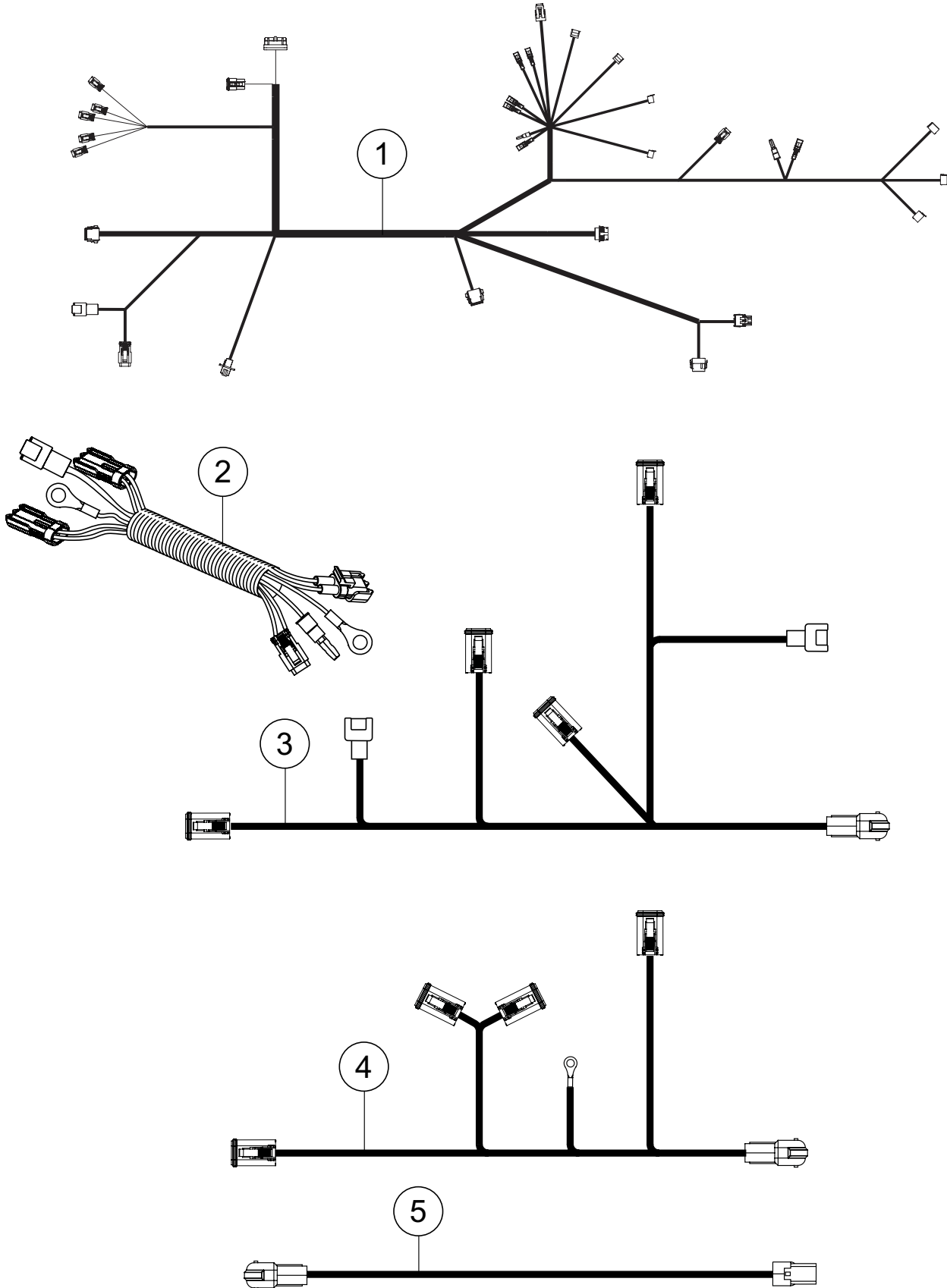
RADIATOR MOUNTING HARDWARE ASSY.



RADIATOR FRAME MOUNTING HARDWARE ASSY.

| <u>NO.</u> | <u>PART NO.</u> | <u>PART NAME</u> | <u>QTY.</u> | <u>REMARKS</u> |
|------------|-----------------|--------------------------------------|-------------|----------------|
| 1 | 22804 | SUPPORT, BELT-TOP | 1 | |
| 2 | 22803 | BELT, RADIATOR-TOP | 1 | |
| 3 | 12287 | SCREW, THP 1/4-20 X 3/4" SS | 8 | |
| 4 | 10024 | NUT, NYLOC 1/4-20 | 14 | |
| 5 | 22785 | SHROUD , LEFT SIDE | 1 | |
| 6 | 22784 | SHROUD, RIGHT SIDE | 1 | |
| 7 | 11534 | NUT, "U" TYPE, 1/4-20 | 5 | |
| 8 | 22790 | SCREW, PHILLIPS HD MACH 10-24 X .75" | 4 | |
| 9 | 49048 | SCREW, HHFS 1/4-20 X 3/4" GR5 | 9 | |
| 10 | 19468 | GROMMET, 3/16 X 1/2ID X 1-1/4" OD | 1 | |
| 11 | 22805 | BELT, RADIATOR-SIDE | 2 | |
| 12 | 0948 | WASHER, FLAT SAE 1/4" | 8 | |
| 13 | 22453 | MOUNT, W/A MUFFLER | 1 | |
| 14 | 0205 | SCREW, HHC 3/8-16 X 1.0" | 4 | |
| 15 | 0166 A | WASHER, LOCK 3/8" MED | 4 | |
| 16 | 10136 | WASHER, FLAT SAE 3/8" | 4 | |

HARNES ASSY.



HARNESS ASSY.

| <u>NO.</u> | <u>PART NO.</u> | <u>PART NAME</u> | <u>QTY.</u> | <u>REMARKS</u> |
|------------|-----------------|----------------------|-------------|----------------|
| 1 | 22792 | HARNESS, MAIN | 1 | |
| 2 | 22318 | HARNESS, ENGINE | 1 | |
| 3 | 22794 | HARNESS, FRONT | 1 | |
| 4 | 22795 | HARNESS, REAR | 1 | |
| 5 | 22796 | HARNESS, SEAT SWITCH | 1 | |