

PARTS MANUAL



Mikasa SERIES

MODELS

MVH306D (RECOIL START)

MVH306DS (ELECTRIC START)

REVERSIBLE PLATE COMPACTOR

(YANMAR L70EE DIESEL ENGINE)

Revision #12 (07/09/20)

THIS MANUAL MUST ACCOMPANY THE EQUIPMENT AT ALL TIMES.

TABLE OF CONTENTS

MIKASA MVH-306D/DS- REVERSIBLE PLATE COMPACTOR

Table Of Contents	2
Explanation Of Code In Remarks Column	4
Suggested Spare Parts	5

COMPONENT DRAWINGS

Nameplate and Decals	6-7
Vibrating Plate Assembly	8-9
Base and Engine Assembly	10-13
Vibrator Assembly	14-15
Control Handle Assembly	16-19
Hand Pump Assembly	20-21
Battery Assembly	22-23
Electric Device	24-25

YANMAR L70EE ENGINE DRAWINGS

Cylinder Block Assembly	26-27
Cylinder Head and Cover Assembly	28-29
Muffler Assembly	30-31
Air Cleaner Assembly	32-33
Crankshaft, Piston and Camshaft Assembly	34-35
Lub. Oil Pump and Governor Assembly	36-37
Cooling and Starting Device Assembly	38-39
Fuel Injection Pump Assembly	40-41
Fuel Tank and Fuel Line Assembly	42-43
Starting Motor and Dynamo Assembly	44-45
Tool, Label and Gasket Set Assembly	46-47

NOTICE

Specification and part number are subject to change without notice

EXPLANATION OF CODE IN REMARKS COLUMN

The following section explains the different symbols and remarks used in the Parts section of this manual. Use the help numbers found on the back page of the manual if there are any questions.

NOTICE

The contents and part numbers listed in the parts section are subject to change **without notice**. Multiquip does not guarantee the availability of the parts listed.

SAMPLE PARTS LIST

NO.	PART NO.	PART NAME	QTY.	REMARKS
1	12345	BOLT.....	1	INCLUDES ITEMS W/%
2%		WASHER, 1/4 IN.....		NOT SOLD SEPARATELY
2%	12347	WASHER, 3/8 IN....	1	MQ-45T ONLY
3	12348	HOSE		A/R ...MAKE LOCALLY
4	12349	BEARING	1	S/N 2345B AND ABOVE

NO. Column

Unique Symbols — All items with same unique symbol

(@, #, +, %, or >) in the number column belong to the same assembly or kit, which is indicated by a note in the “Remarks” column.

Duplicate Item Numbers — Duplicate numbers indicate multiple part numbers, which are in effect for the same general item, such as different size saw blade guards in use or a part that has been updated on newer versions of the same machine.

NOTICE

When ordering a part that has more than one item number listed, check the remarks column for help in determining the proper part to order.

PART NO. Column

Numbers Used — Part numbers can be indicated by a number, a blank entry, or TBD.

TBD (To Be Determined) is generally used to show a part that has not been assigned a formal part number

QTY. Column

Numbers Used — Item quantity can be indicated by a number, a blank entry, or A/R.

A/R (As Required) is generally used for hoses or other parts that are sold in bulk and cut to length.

A blank entry generally indicates that the item is not sold separately. Other entries will be clarified in the “Remarks” Column.

REMARKS Column

Some of the most common notes found in the “Remarks” Column are listed below. Other additional notes needed to describe the item can also be shown.

Assembly/Kit — All items on the parts list with the same unique symbol will be included when this item is purchased.

Indicated by:

“INCLUDES ITEMS W/(unique symbol)”

Serial Number Break — Used to list an effective serial number range where a particular part is used.

Indicated by:

“S/N XXXXX AND BELOW”

“S/N XXXX AND ABOVE”

“S/N XXXX TO S/N XXX”

Specific Model Number Use — Indicates that the part is used only with the specific model number or model number variant listed. It can also be used to show a part is NOT used on a specific model or model number variant.

Indicated by:

“XXXXX ONLY”

“NOT USED ON XXXX”

“Make/Obtain Locally” — Indicates that the part can be purchased at any hardware shop or made out of available items. Examples include battery cables, shims, and certain washers and nuts.

SUGGESTED SPARE PARTS

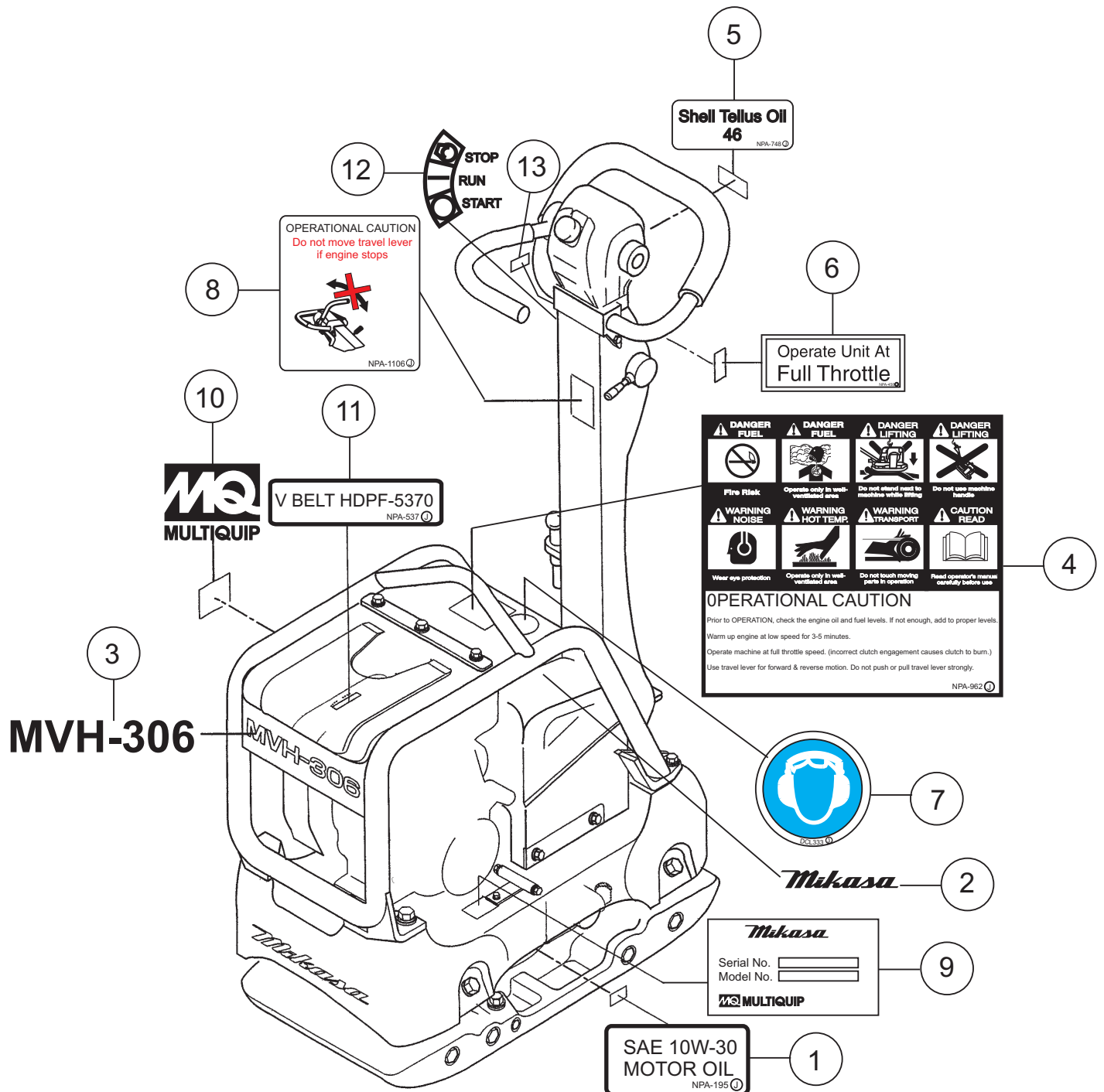
MVH-306 W/YANMAR L-70EE DIESEL ENGINE

1 to 3 Units

Qty.	P/N	Description
1	956100054	THROTTLE WIRE
2	070200373	V-BELT
3	11425012580	ELEMENT W/ PRE-FILTER
1	16081076630	STARTER ROPE
2	11425055121	FUEL FILTER W/GASKET
1	11428855010	CAP, FUEL TANK W/GASKET
1	11425035110	LUBE OIL STRAINER
1	11425055100	FUEL STRAINER

NAMEPLATE AND DECALS

NAMEPLATE AND DECALS



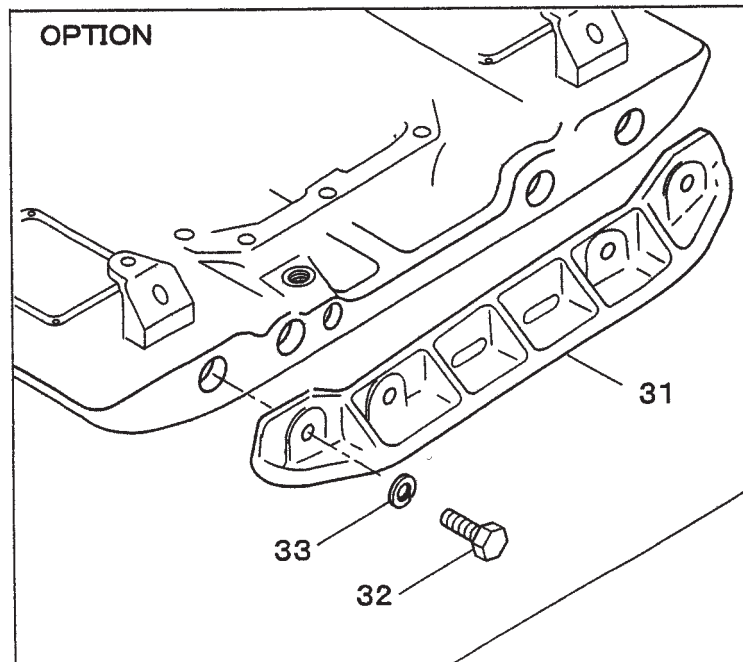
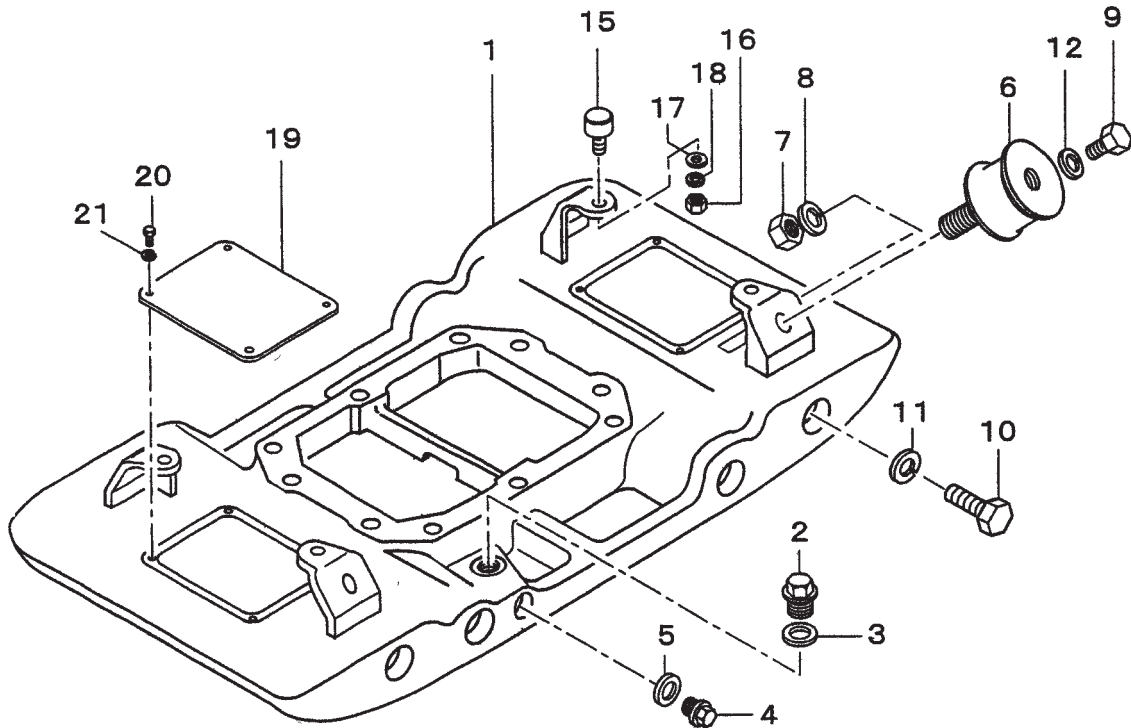
NAMEPLATE AND DECALS

NAMEPLATE AND DECALS

<u>NO.</u>	<u>PART NO.</u>	<u>PART NAME</u>	<u>QTY.</u>	<u>REMARKS</u>
1	920201950	DECAL: OIL SAE 10W-30	1	
2	920105070	DECAL: MIKASA LOGO	1	ELECTRIC START MODEL ONLY
3	920110370	DECAL: MODEL LOGO MVH-306	1	
4	920209620	DECAL: CAUTION	1	
5	920207480	DECAL: SHELL TELLUS OIL 46	1	
6	920204580	DECAL: FULL THROTTLE	1	
7	920203330	DECAL: EAR PROTECTION	1	
8	920211060	DECAL: CAUTION (TRAVEL LEVER)	1	
9	920206960	DECAL: SERIAL NO.	1	CONTACT MQ PARTS DEPT.
10	920201580	DECAL: MQ LOGO	1	
11	920211010	DECAL: V-BELT HDPF-5370	1	
12	920106760	DECAL: STOP-RUN-START	1	
13	0732004460	DECAL: STARTER SWITCH	1	

VIBRATING PLATE ASSY.

VIBRATING PLATE ASSY.



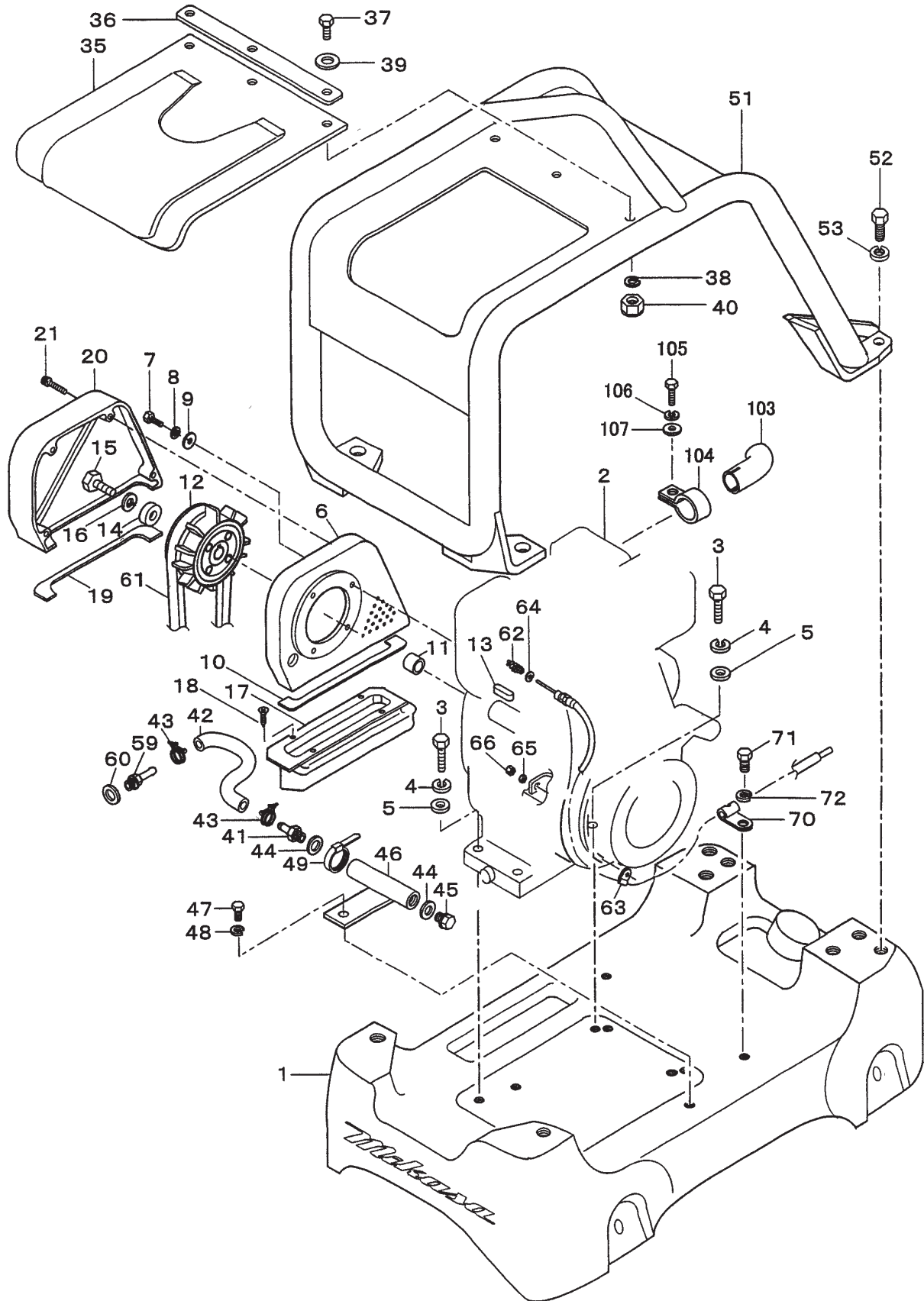
VIBRATING PLATE ASSY.

VIBRATING PLATE ASSY.

<u>NO.</u>	<u>PART NO.</u>	<u>PART NAME</u>	<u>QTY.</u>	<u>REMARKS</u>
1	464117840	VIBRATING PLATE	1	
2	953405840	DRAIN PLUG M18 (H)	1	
3	953402930	COPPER PACKING 19X30X1	1	
4	953400270	PLUG 1/4X14 10L	1	
5	953405260	PACKING 1/4 (CU)	1	
6	939010260	SHOCK ABSORBER 110X60H	4	
7	020316130	NUT M16	4	
8	030216400	WASHER, LOCK M16	4	
9	001221635	BOLT 16X35 T	4	
10	001221830	BOLT 18X30 T	8	
11	58407	WASHER, LOCK M18	8	
12	030216400	WASHER, LOCK M16	4	
15	939010010	SHOCK ABSORBER, STOPPER 45	4	
16	020310080	NUT M10	4	
17	031110160	WASHER, FLAT M10	4	
18	030210250	WASHER, LOCK M10	4	
19	464343730	COVER, VIBRATING PLATE	2	
20	011008015	BOLT 8X15 T	8	
21	030208200	WASHER, LOCK M8	8	
31	52993	EXTENSION PLATE	2	
32	012218050	BOLT 18X50 T	8	
33	58407	WASHER, LOCK M18	8	

BASE AND ENGINE ASSY.

BASE AND ENGINE ASSY.



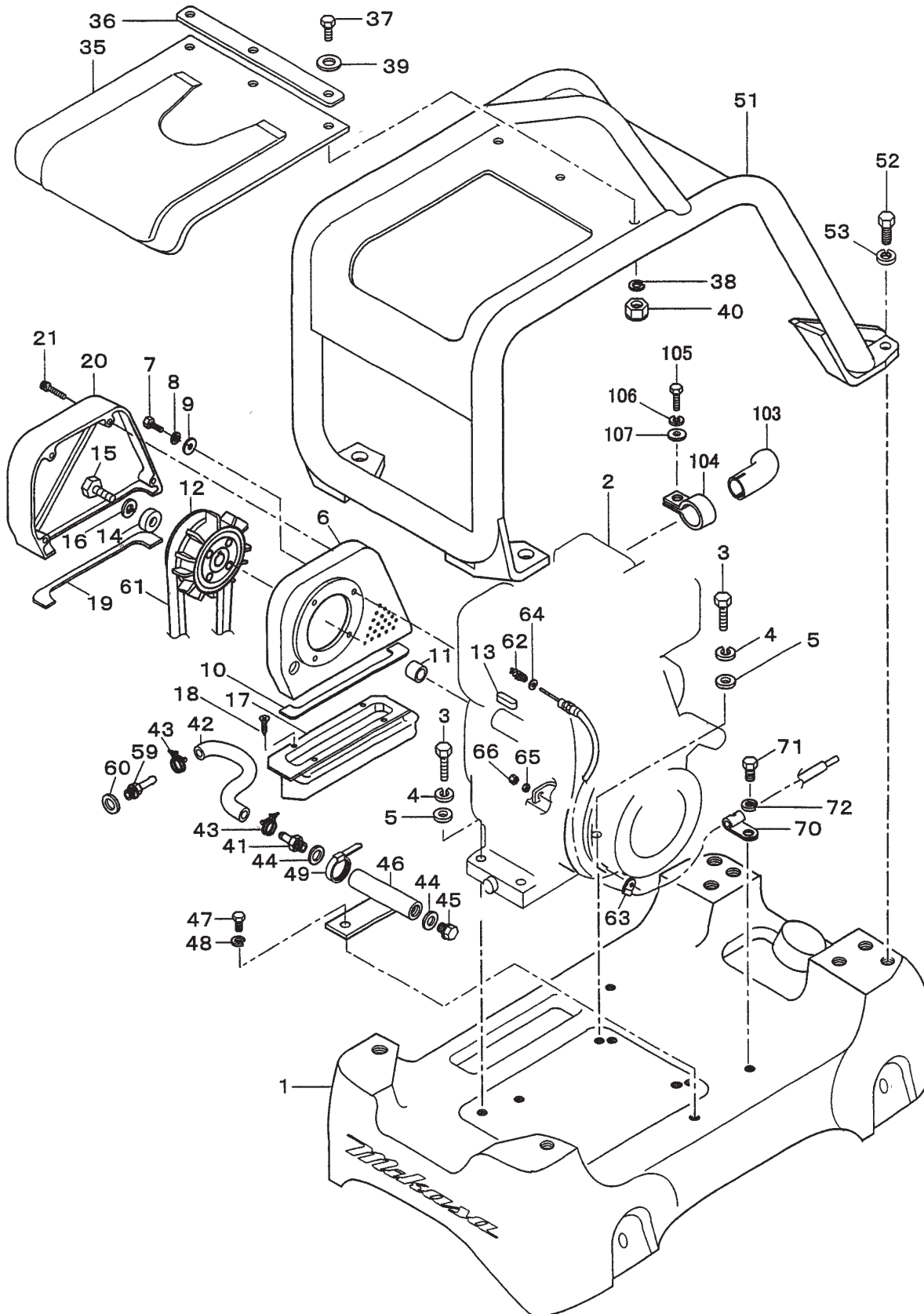
BASE AND ENGINE ASSY.

BASE & ENGINE ASSY.

<u>NO.</u>	<u>PART NO.</u>	<u>PART NAME</u>	<u>QTY.</u>	<u>REMARKS</u>
1	464117850	BASE	1	
2	914410022	ENGINE ASSY. L70EE (YANMAR)	1	
3	0105051045	BOLT 10X45 T	4	
4	030210250	WASHER, LOCK M10	4	
5	031110160	WASHER, FLAT M10	4	
6	464216560	BELT COVER (IN)	1	
7	011208025	BOLT 8X25 T	4	
8	030208200	WASHER, LOCK M8	4	
9	031108160	WASHER, FLAT M8	4	
10	464343670	DUST-PROOF SPONGE (IN)	1	
11	464457360	SPACER/MVH-306	1	
12	456343340	CLUTCH ASSY./CHM03/W.FAN	1	
13	951400110	KEY 7X7X35	1	
13-1	951406790	KEY 7X7X36 RR	1	
14	952400690	WASHER 9X35X4.5	1	
15	001220830	BOLT 8X30 T	1	
16	030208200	WASHER, LOCK M8	1	
17	464216640	DUST-PROOF COVER	1	
18	092006010	FLAT HEAD SCREW 6X10	3	
19	464343660	DUST-PROOF SPONGE (OUT)	1	
20	464216590	BELT COVER (OUT)	1	
21	001521050	SOCKET HEAD BOLT 10X50 T	4	
35	464117920	RUBBER COVER (GUARD FRAME)	1	
36	456449950	PLATE, COVER	1	
37	011208030	BOLT 8X30 T	1	
38	030208200	WASHER, LOCK M8	3	
39	031108160	WASHER, FLAT M8	3	
40	022710809	NYLON NUT M8	3	

BASE AND ENGINE ASSY.

BASE AND ENGINE ASSY. (CONTINUED)



BASE AND ENGINE ASSY.

BASE AND ENGINE ASSY. (CONTINUED)

<u>NO.</u>	<u>PART NO.</u>	<u>PART NAME</u>	<u>QTY.</u>	<u>REMARKS</u>
41	459010060	UNION TIP, DRAIN	1	
42	459010070	DRAIN HOSE	1	
43	459010090	HOSE BAND	2	
44	459010080	GASKET(OIL DRAIN)	2	
45	0401140030	PLUG	1	
46	464457380	DRAIN JOINT	1	
47	014208020	BOLT 8X20 T	1	
48	030208200	WASHER, LOCK M8	1	
51	464117910	GUARD HOOK	1	
52	012214030	BOLT 14X30 T	4	
53	030214350	WASHER, LOCK M14	4	
59	459455560	UNION, OIL DRAIN	1	
60	22190160002	SEAL WASHER 16S	1	
61	070200373	V-BELT	1	
62	2344600213	RETURN SPRING	1	
63	151010680	CLAMP CP.	1	
64	58151	WASHER, FLAT M5	1	
65	020406040	NUT M6, H=4.2	1	
66	959406800	NUT M6 (SPECIAL-L10)	1	
70	959407260	CLIP D6 (FOR M10)	1	
71	001221015	BOLT 10X15 T	1	
72	030210250	WASHER, LOCK M10	1	
103	464457600	EXHAUST DEFLECTOR	1	
104	2283720111	BAND CP	1	
105	001220620	BOLT 6X20 T	1	
106	030206150	WASHER, LOCK M6	1	
107	031106100	WASHER, FLAT M6	1	

VIBRATOR ASSY.

VIBRATOR ASSY.

<u>NO.</u>	<u>PART NO.</u>	<u>PART NAME</u>	<u>QTY.</u>	<u>REMARKS</u>
1#	464117880	VIBRATING CASE	1	
2	001221470	BOLT 14X150 T	6	
3	001221450	BOLT 14X50 T	4	
4	030214350	WASHER, LOCK M14	10	
5#	047920120	ROLLER BEARING NJ310EMC4	4	
6#	457212410	ROTARY SHAFT, DRIVE	1	
8#	951405370	KEY 15X10X39 RR	1	
9#	456327150	GEAR, DRIVE	1	
10#	080200550	STOP RING S-55	2	
11#	060105030	OIL SEAL SB-50729	1	
12#	951404970	KEY 12X8X30 R	1	
13#	464343700	ECCENTRIC ROTATOR	4	
14#	009120301	SOCKET HEAD BOLT 16X40 T	2	
15#	456337670	ROTARY SHAFT, DRIVEN	1	
16#	009120302	SOCKET HEAD BOLT 16X30 T	2	
17#	456337380	PISTON ROD	1	
18#	456010010	KNOCK PIN 10X70	1	
19#	464343720	GEAR (DRIVEN)	1	
20#	040006911	BEARING 6911	2	
21#	953010030	SEAL CAP/SC72-8N	1	
25#	042506000	BEARING 6000ZZSG	2	
26#	080200100	STOP RING S-10	1	
27#	455435051	PISTON, 22.4D	1	
28#	455010070	PACKING USH-22.4X30X5	1	
29#	080100260	STOP RING R-26	1	
30#	456327130	BEARING COVER	1	
31#	456210636	CYLINDER (L)/(AC)	1	
33#	050101050	O-RING G-105	2	
34#	001221025	BOLT 10X25 T	8	
35#	030210250	WASHER, LOCK M10	8	
36#	011008015	BOLT 8X12 T	1	
37#	953404600	COPPER PACKING 8X16X2	1	
38#	455010020	ELBOW 45 DEG. 15-0404	1	
39#	031110160	WASHER, FLAT M10	4	
43#	952405470	SHIM 90X110X0.5	2	
46#	464343710	PULLEY	1	
47#	464457370	WASHER	1	
48#	012212030	BOLT 12X30 T	1	
49#	030212300	WASHER, LOCK M12	1	
51	464216600	BELT COVER (LOWER)	1	
52	001520852	SOCKET HEAD BOLT 8X60 T	5	
53	464910020	VIBRATOR ASSY.	1	INCLUDES ITEMS W/#

CONTROL HANDLE ASSY.

CONTROL HANDLE ASSY.

<u>NO.</u>	<u>PART NO.</u>	<u>PART NAME</u>	<u>QTY.</u>	<u>REMARKS</u>
1	464343680	HANDLE BRACKET	1	
2	456336420	HANDLE BRACKET (R)	1	
3	012212035	BOLT 12X35 T	4	
4	030212300	WASHER, LOCK M12	4	
5	031112230	WASHER, FLAT M12	4	
7	456336400	RUBBER COUPLING	2	
8	456449940	SHOCK ABSORBER	2	
9	456449930	RUBBER PLATE	2	
10	001221681	BOLT 16X250 T	1	
11	032124400	CONICAL SPRING WASHER M24	2	
12	025306016	SPRING PIN 6X16	2	
13	0401450160	WASHER, FLAT M16	2	
14	020316130	NUT M16	1	
15	020416100	NUT M16, H=10	1	
18	455434950	SPINDLE	1	
19	455010030	KNOB	1	
20	939010060	SHOCK ABSORBER	1	
21	020310080	NUT M10, H=6	1	
22	020412070	NUT M12, H=7	1	
23	022411635	WING NUT M16	1	
25	954404230	CLAMP SA120-18	1	
26	011206020	BOLT 6X20 T	1	
27	030206150	WASHER, LOCK M6	1	
28	952404470	WASHER, FLAT M6	1	
29	020106050	NUT M6	1	
34	501402870	HANDLE STOPPER	1	
35	501402880	SPRING/HANDLE (1.4X18X44)	1	
36	959403460	BALL GRIP 32D-M10	1	
37	020310080	NUT M10, H=6	1	
38	456449980	RUBBER PACKING 9D-20D-5T	1	
39	953405260	PACKING 1/4 (CU)	1	
40	031110160	WASHER, FLAT M10	1	
43	464343690	HANDLE COVER	1	
44	0105050616	BOLT 6X15 T	6	
45	030206150	WASHER, LOCK M6	6	
46	952404470	WASHER, FLAT M6	6	
47	464457710	PACKING A, HANDLE COVER	1	
48	464457720	PACKING B, HANDLE COVER	1	
49	454010020	CLAMP TC-100	1	

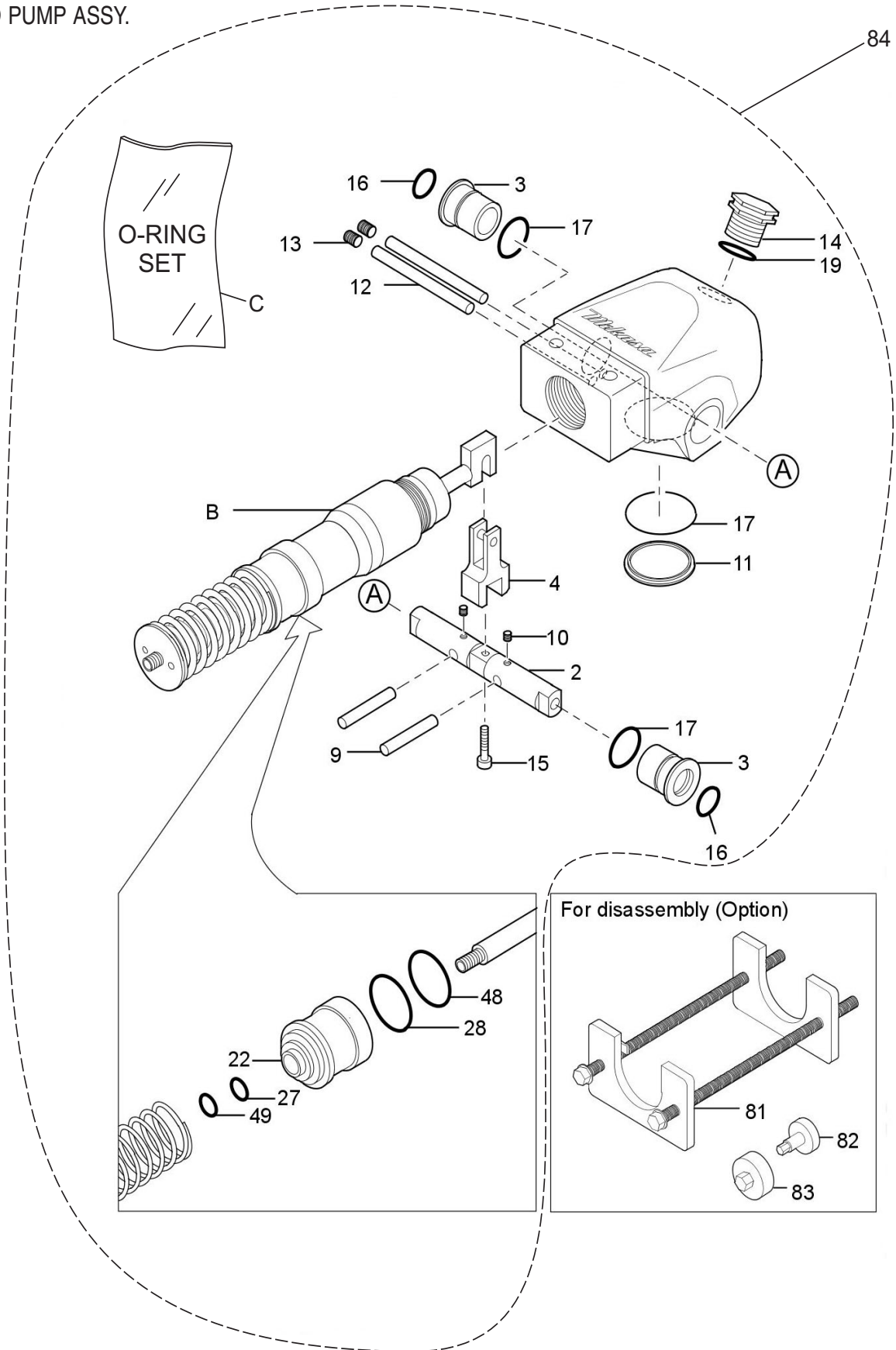
CONTROL HANDLE ASSY.

CONTROL HANDLE ASSY.

<u>NO.</u>	<u>PART NO.</u>	<u>PART NAME</u>	<u>QTY.</u>	<u>REMARKS</u>
61	464117890	COLUMN, HANDLE	1	
64	464216630	TRAVEL LEVER	1	
65	464457400	HANDLE BOSS	1	
66	012010030	BOLT 10X30 T	2	
67	030210250	WASHER, LOCK M10	2	
68	464216620	HANDLE W/RUBBER GRIP	1	
69	030210250	WASHER, LOCK M10	2	
70	031110160	WASHER, FLAT M10	2	
71	020310080	NUT M10	2	
72	011208025	BOLT 8X25 T	2	
73	030208200	WASHER, LOCK	2	
80	464457340	THROTTLE LEVER	1	
81	959403840	BAR GRIP I.D. 12 MM	1	
82	464457420	COVER, THROTTLE	1	
83	464457350	ARM, THROTTLE	1	
84	001520820	SOCKET HEAD BOLT 8X20 T	1	
85	031116260	WASHER, FLAT	1	
86	458460660	WASHER 16.4-35-0.6	2	
87	033910080	CONICAL SW 16.3 X 31.5 X 1.2	3	
88	464457440	STEEL BALL D6 (SUJ)	1	
89	464010010	DRY BUSHING/ LBF-1620	1	
90	001220625	BOLT 6X25 T	2	
91	020306050	NUT M6	2	
93	464010020	ROD END M5	1	
94	001520520	SOCKET HEAD BOLT 5X20 T	1	
95	031105080	WASHER, FLAT M5	1	
96	020305040	NUT M5	1	
99	954002270	OIL HOSE W/SPRING 1/4 X 920	1	
101	956100054	THROTTLE WIRE	1	
103	454010020	CLAMP TC-100	1	
104	959021815	SPRIAL TUBE 6D-330L	1	
104	959021810	SPRIAL TUBE KEP6/ L=500	1	

HAND PUMP ASSY.

HAND PUMP ASSY.



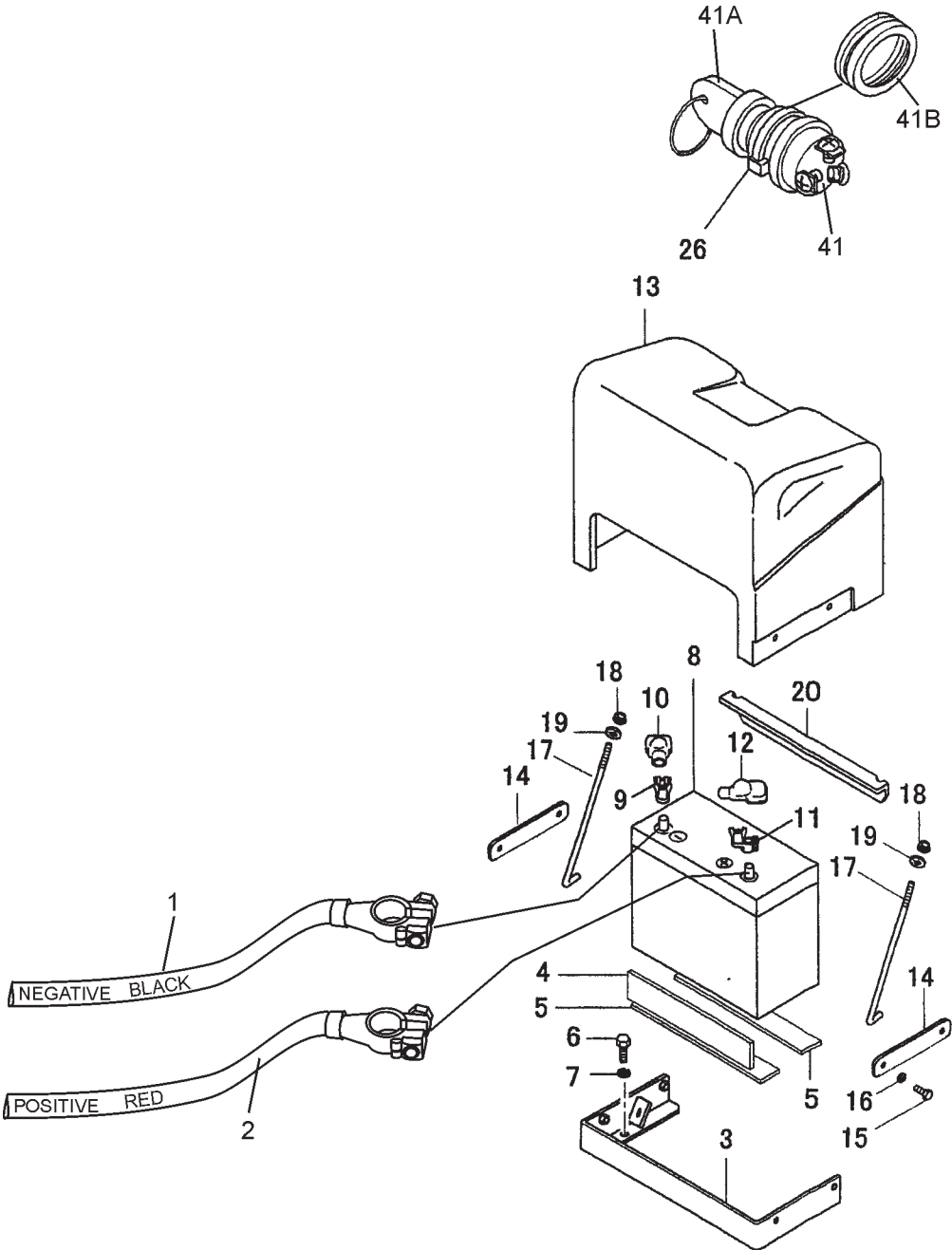
HAND PUMP ASSY.

HAND PUMP ASSY.

<u>NO.</u>	<u>PART NO.</u>	<u>PART NAME</u>	<u>QTY.</u>	<u>REMARKS</u>
B*	4649-10040	ACCUMULATOR	1	
C*	464910080	O-RING DUST,SEAL,SET	1	INCLUDES ITEMS W/#
2*	464010040	CONTROL SHAFT	1	
3*	464010050	BUSH	2	
4*	464010060	CAM	1	
9*	464010070	STOPPER	2	
10*	099205005	SOCKET HEAD SCREW 5X5 T	2	
11*	464010080	PLUG	1	
12*	464010090	PIN,STOPPER	2	
13*	464010100	PLUG	2	
14*	458010080	BREATHER	1	
15*	001520620	SOCKET HEAD BOLT 6X20 T	1	
16#*	050200200	O-RING P-20	2	
17#*	050200220	O-RING P-22	2	
19#*	050200180	O-RING P-18	1	
22*	464010110	ACCUMULATOR CASE	1	S/N N2418 AND BELOW
22*	464010111	ACCUMULATOR CASE	1	S/N N2419 AND ABOVE
26#*	050300400	O-RING S-40	1	
27#*	050200150	O-RING P-15	1	
28#*	050100400	O-RING G-40	1	
48#*	069904010	DUST SEAL SER-40	1	S/N N2419 AND ABOVE
49#*	069901010	DUST SEAL SER-15	1	S/N N2419 AND ABOVE
81	984010030	SPRG.COMPRESSION TOOL	1	
82	984010040	DISASSEMBLING TOOL A	1	
83	984010050	DISASSEMBLING TOOL B	1	
84	464216721	HAND PUMP ASSY	1	INCLUDES ITEMS W/*

BATTERY ASSY. (OPTION)

BATTERY ASSY. (OPTION)



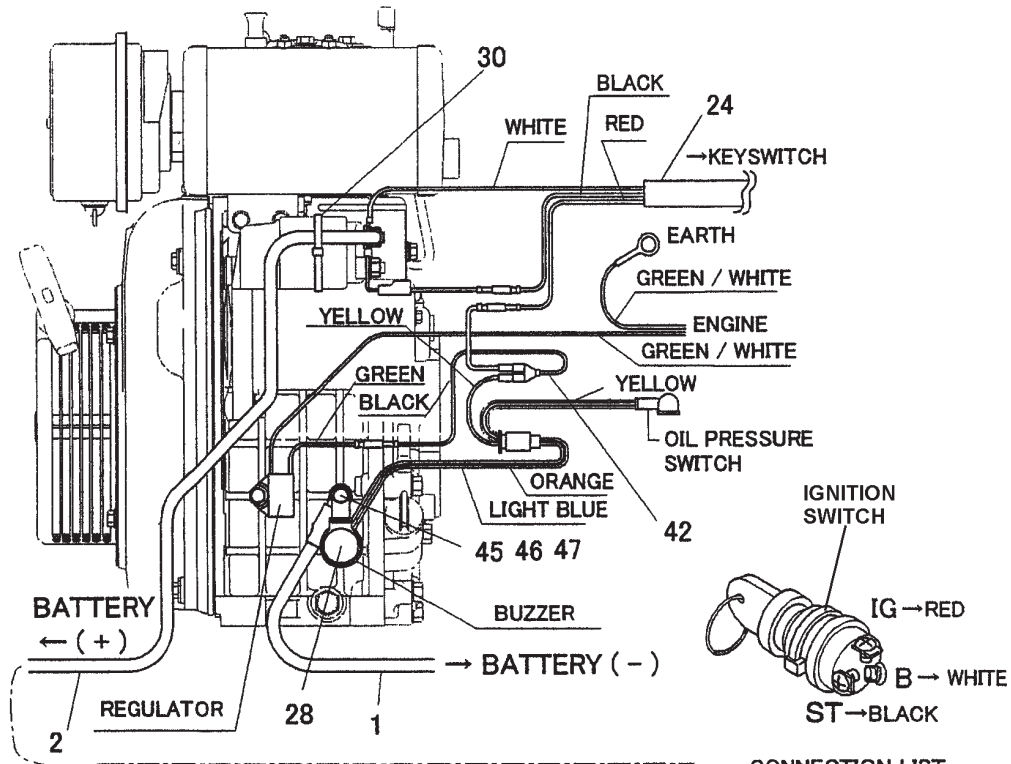
BATTERY ASSY. (OPTION)

BATTERY ASSY. (OPTION)

<u>NO.</u>	<u>PART NO.</u>	<u>PART NAME</u>	<u>QTY.</u>	<u>REMARKS</u>
3	464216660	CRADLE, BATTERY	1	
4	456447590	RUBBER PLATE (E) 28X240X5	1	
5	456447600	RUBBER PLATE 50X240X10	2	
6	014210020	SOCKET HEAD BOLT 10X20 T	2	
7	030210250	WASHER, LOCK M10	2	
8	604010240	BATTERY 46B24L	1	
9	955300490	BATTERY TERMINAL (-)	1	
10	955300470	TERMINAL COVER (-)	1	
11	955300480	BATTERY TERMINAL (+)	1	
12	955300460	TERMINAL COVER (+)	1	
13	464117860	COVER, BATTERY	1	
14	464457410	FIXED PLATE, BATTERY COVER	2	
15	001220825	BOLT 8X25 T	4	
16	030208200	WASHER, LOCK M8	4	
17	464457390	BATTERY BOLT	2	
18	022710809	NYLON NUT M8	2	
19	031108160	WASHER, FLAT M8	2	
20	464343740	HOLDER, BATTERY	1	
41	955300680	IGNITION SWITCH ASSY.	1	
41A	955000010	IGNITION KEY	1	
41B	953406090	GROMMET 26D	1	

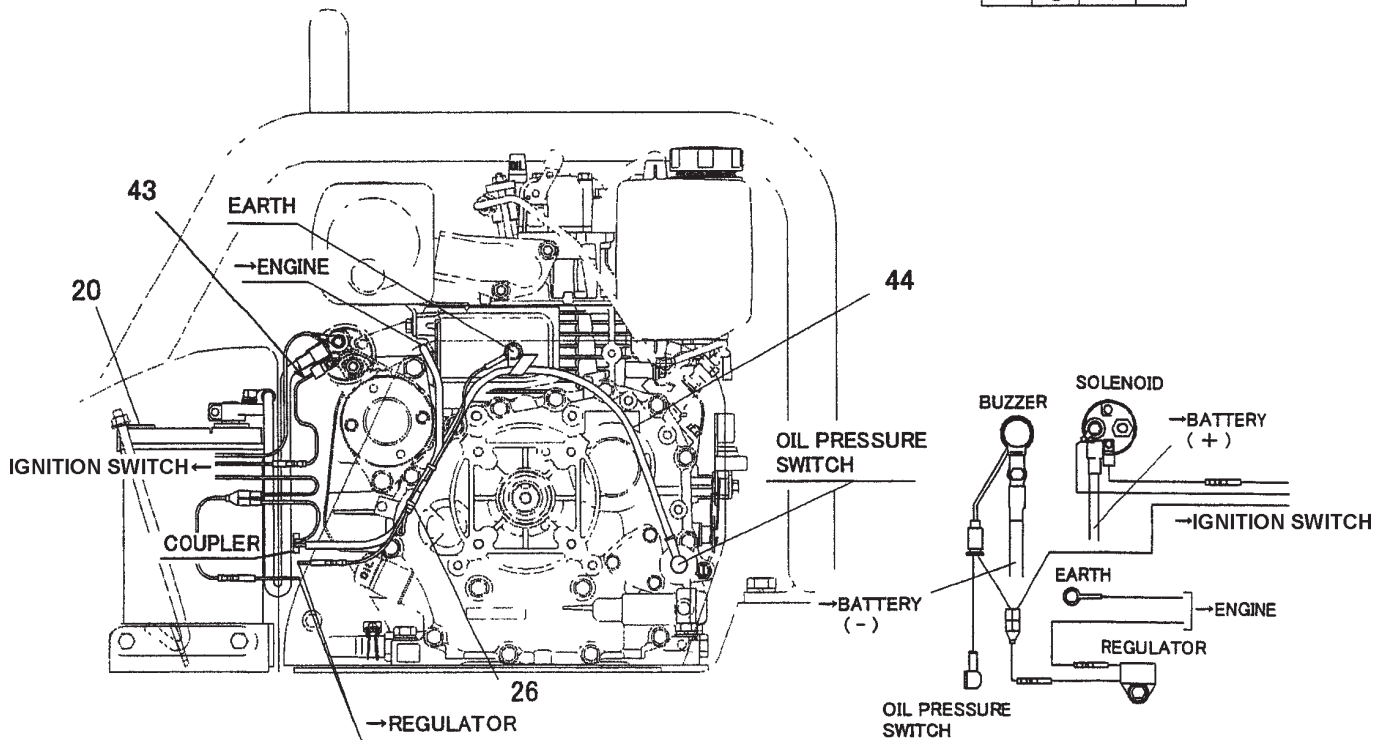
ELECTRIC DEVICE ASSY.

ELECTRIC DEVICE ASSY.



CONNECTION LIST

	B	IG	ST
OFF			
1	●	●	
2	●	●	●



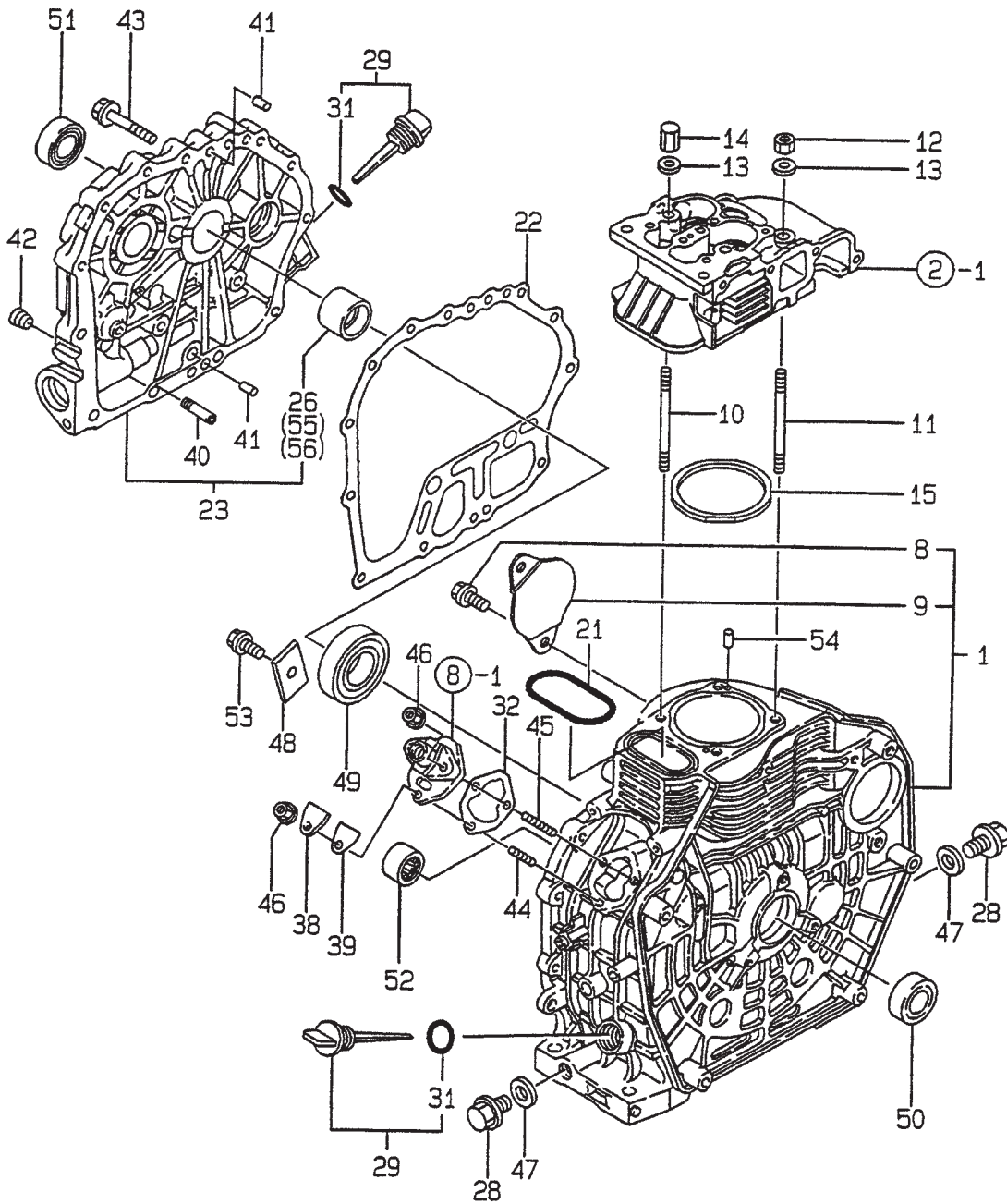
ELECTRIC DEVICE ASSY.

ELECTRIC DEVICE ASSY.

<u>NO.</u>	<u>PART NO.</u>	<u>PART NAME</u>	<u>QTY.</u>	<u>REMARKS</u>
1	464457460	BATTERY CORD (-) 400L	1	
2	464457470	BATTERY CORD (+) 550L	1	
20	464343740	HOLDER, BATTERY	1	
24	456439070	WIRE CP	1	
26	454010020	CLAMP TC-100	3	
28	955300400	BUZZER (EBL)	1	
30	506010070	CLAMP TC-150	1	
42	515450380	WIRE HARNESS	1	
43	11468578560	WIRE HARNESS	1	
44	105198-78570	HARNESS (C), WIRE	1	
45	0105050616	BOLT 6X15 T	1	
46	030206150	WASHER, LOCK M6	1	
47	952404470	WASHER, FLAT M6	1	

YANMAR L-70EE — CYLINDER BLOCK ASSY.

CYLINDER BLOCK ASSY.



②-1 SEE CYLINDER HEAD FIGURE

⑧-1 SEE FUEL INJECTION FIGURE

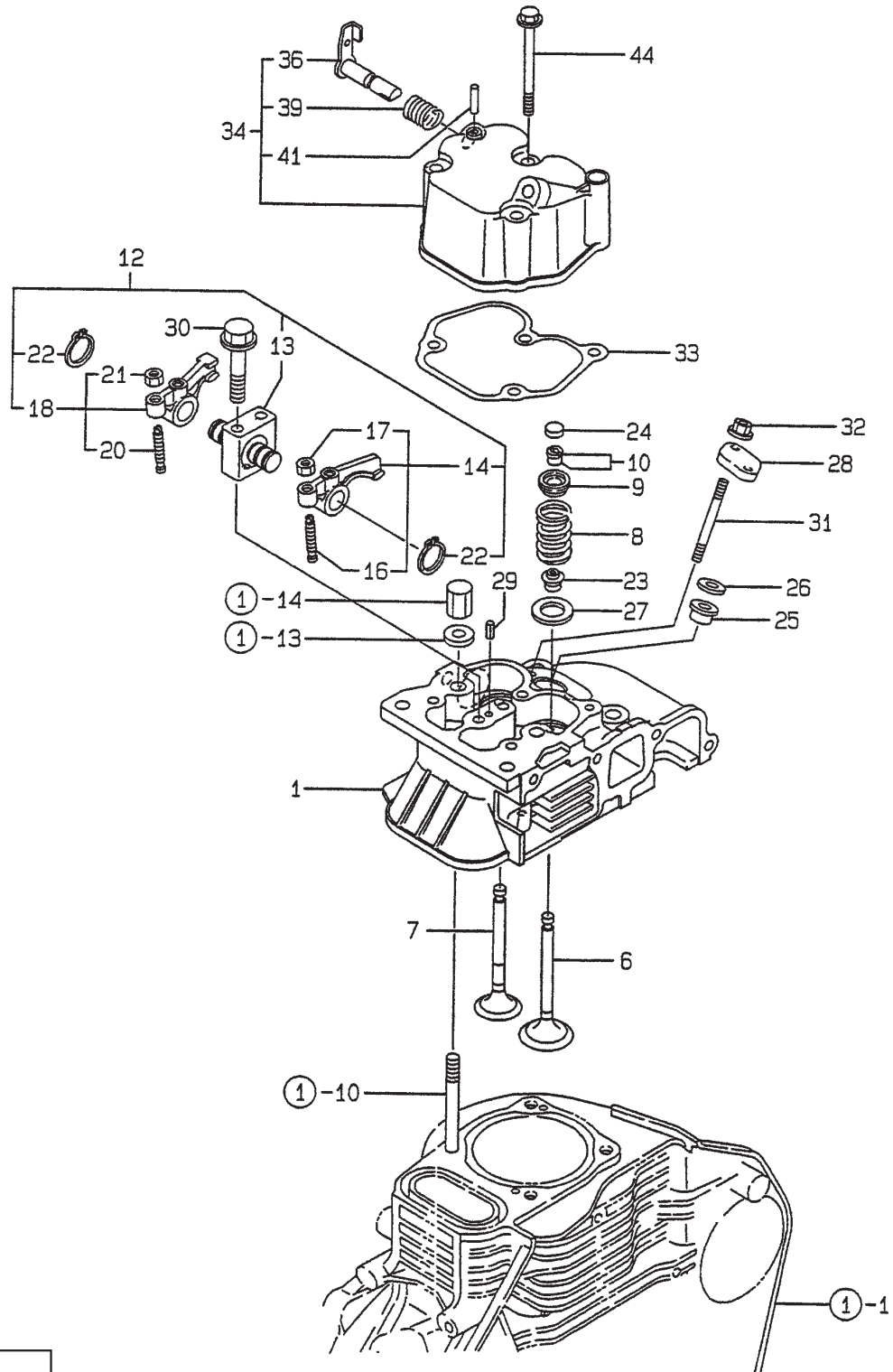
YANMAR L-70EE — CYLINDER BLOCK ASSY.

CYLINDER BLOCK ASSY.

<u>NO.</u>	<u>PART NO.</u>	<u>PART NAME</u>	<u>QTY.</u>	<u>REMARKS</u>
1	71487101560	BLOCK ASSY., CYLINDER	1	INCLUDES ITEMS W/*
8*	11435001700	COVER, STARTER	1	
9*	26106100122	BOLT M10X 12 PLATED	2	
10	11435001200	STUD, CYL. HEAD	2	
11	11435001210	STUD, CYL. HEAD	2	
12	11435001220	NUT 9	2	
13	10522501240	WASHER	4	
14	11435001250	NUT 9	2	
15	11487101330	GASKET, CYL. HEAD CMP	1	
21	11435001380	O-RING	1	
22	11435001412	GASKET, CRANK CASE	1	
23	11436801453	COVER (D), CRANK CASE	1	INCLUDES ITEMS W/#
26#	11435002100	BEARING, MAIN	1	
28	10542501690	PLUG M16	2	
29	11469901760	CAP, W/LUB. OIL GAUGE	2	INCLUDES ITEMS W/\$
31\$	11429901950	O-RING	2	
32	11425001800	SHIM SET	1	
38	11425001830	COVER, INSPEC. WINDOW	1	
39	11425001841	GASKET	1	
40	11425035150	PIPE, L.O. INLET	1	
41	11427001600	PARALLEL PIN 8 X 12	2	
42	23876010000	PLUG PT 1/8, SCREW	1	
43	26106080352	BOLT M 8X 35 PLATED	15	
44	26226060182	STUD M 6X 18 PLATED	1	
45	26226060222	STUD M 6X 22 PLATED	2	
46	26366060002	NUT M 6	3	
47	22190160002	SEAL WASHER 16S	2	
48	11429902030	RETAINER	1	
49	11435002113	BALL BEARING	1	
50	16011002220	SEAL, OIL	1	
51	16011002220	SEAL, OIL	1	
52	24162152112	NEEDLE BEARING	1	
53	26106080122	BOLT M 8X 12 PLATED	1	
54	22312040080	PIN 4 X 8, STRAIGHT	2	
55	11435002200	MAIN BEARING US = 0.25	1	UNDER SIZED PART
56	11435002210	MAIN BEARING US = 0.50	1	UNDER SIZED PART

YANMAR L-70EE — CYLINDER HEAD AND COVER ASSY.

CYLINDER HEAD AND COVER ASSY.



- ①-1
- ①-10
- ①-13
- ①-14

SEE CYLINDER BLOCK FIGURE

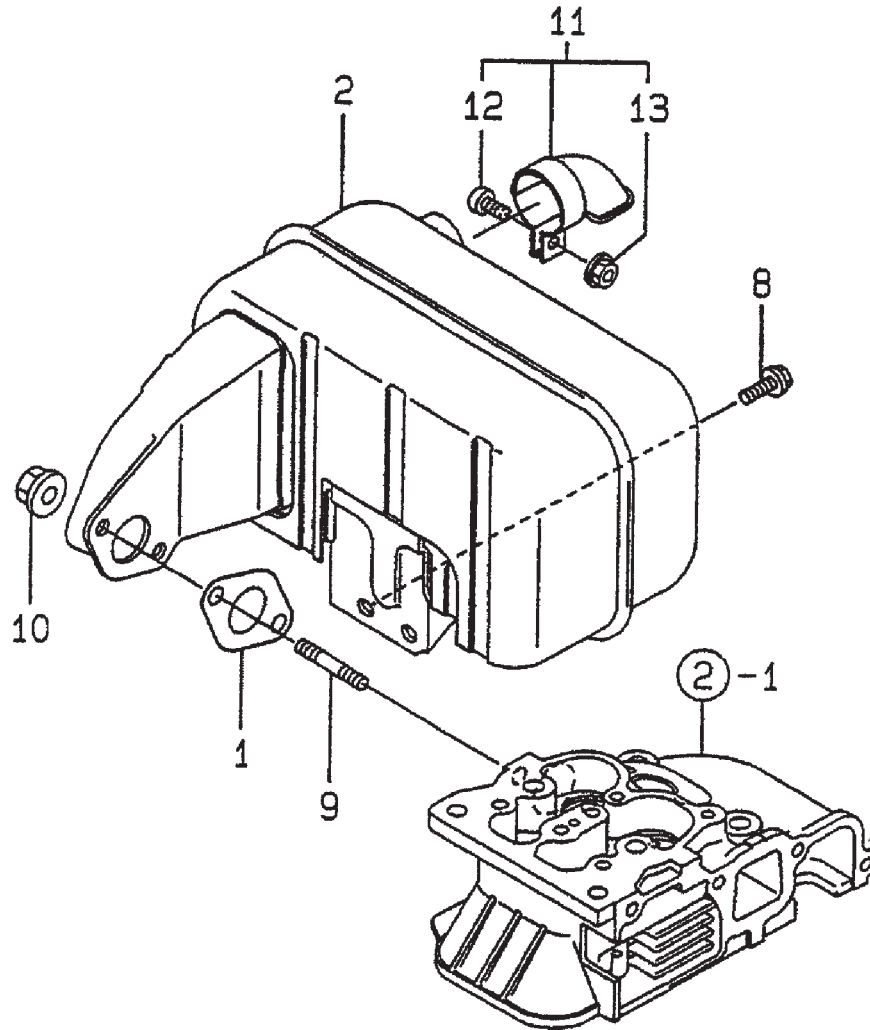
YANMAR L-70EE — CYLINDER HEAD AND COVER ASSY.

CYLINDER HEAD & COVER ASSY.

<u>NO.</u>	<u>PART NO.</u>	<u>PART NAME</u>	<u>QTY.</u>	<u>REMARKS</u>
1	11487111020	CYLINDER HEAD	1	
6	11487111100	VALVE, SUCTION	1	
7	11487111110	VALVE, EXHAUST	1	
8	11435011120	SPRING, VALVE	2	
9	10115811180	RETAINER, SPRING	2	
10	27310060001	COTTER ASSY	2	
12	11477111250	SUPPORT CAM, ARM	1	INCLUDES ITEMS W/*
13*	11477111260	SUPPORT, ROCKER ARM	1	
14*	11477111650	ARM ASSY, INTAKE	1	INCLUDES ITEMS W/+
16*+	11425011240	SCREW, VALVE ADJUST.	1	
17*+	26856060002	LOCK NUT 6	1	
18*	11477111660	ARM ASSY, EXHAUST	1	INCLUDES ITEMS W/\$
20*\$	11425011240	SCREW, VALVE ADJUST.	1	
21*\$	26856060002	LOCK NUT 6	1	
22*	22242000120	CIRCLIP 12	2	
23	11435011340	SEAL, VALVE STEM	2	
24	10501011490	CAP, VALVE	2	
25	11477111461	GASKET, NOZZLE	1	
26	11477111470	SPACER, NOZZLE	1	
27	11425011600	WASHER	2	
28	11425011901	RETAINER	1	
29	22351040008	SPRING PIN 4X 8	1	
30	26106060452	BOLT M 6X 45 PLATED	2	
31	26226060602	STUD	2	
32	26366060002	NUT M 6	2	
33	11477111310	GASKET, BONNET	1	
34	11477111950	BONNET ASSY, HEAD	1	INCLUDES ITEMS W/#
36#	11425003591	SHAFT ASSY, DECOMP.	1	
39#	11425003640	SPRING	1	
41#	22312030160	PARALLEL PIN 3X16	1	
44	26106060552	BOLT M 6X 55 PLATED	3	

YANMAR L-70EE — MUFFLER ASSY.

MUFFLER ASSY.



②-1 SEE CYLINDER HEAD FIGURE

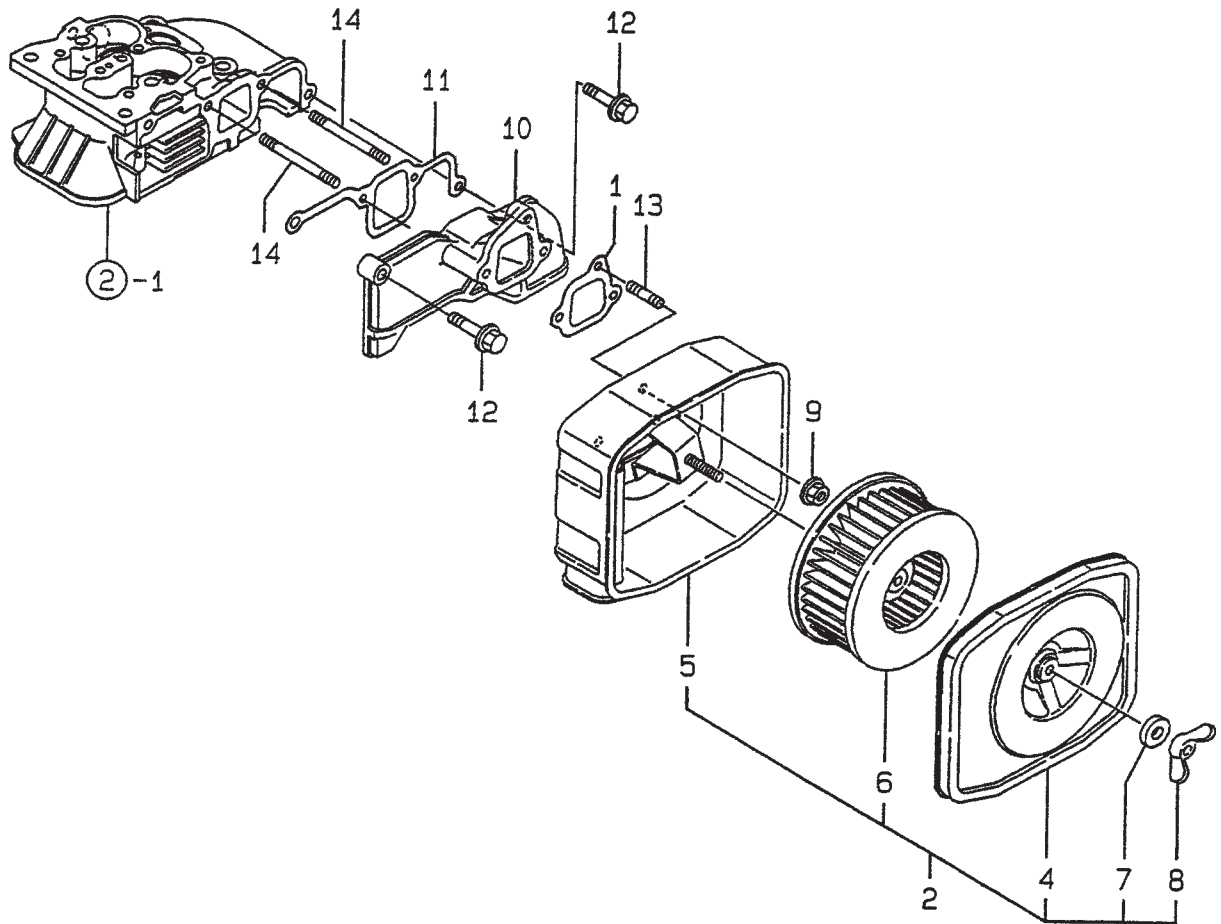
YANMAR L-70EE — MUFFLER ASSY.

MUFFLER ASSY.

<u>NO.</u>	<u>PART NO.</u>	<u>PART NAME</u>	<u>QTY.</u>	<u>REMARKS</u>
1	11425013201	GASKET (NON — ASB.)	1	
2	11438813600	MUFFLER ASSY	1	
8	26106060122	BOLT M 6X 12 PLATED	2	
9	26216080182	STUD M 8X 18 PLATED	2	
10	26366080002	NUT M 8	2	
11	11428813800	DEFLECTOR EXH	1	INCLUDES ITEMS W/,*
12,*	26554060182	SCREW M 6X 18	1	
13,*	26367060002	U — NUT M6	1	

YANMAR L-70EE — AIR CLEANER ASSY.

AIR CLEANER ASSY.



②-1 SEE CYLINDER HEAD FIGURE

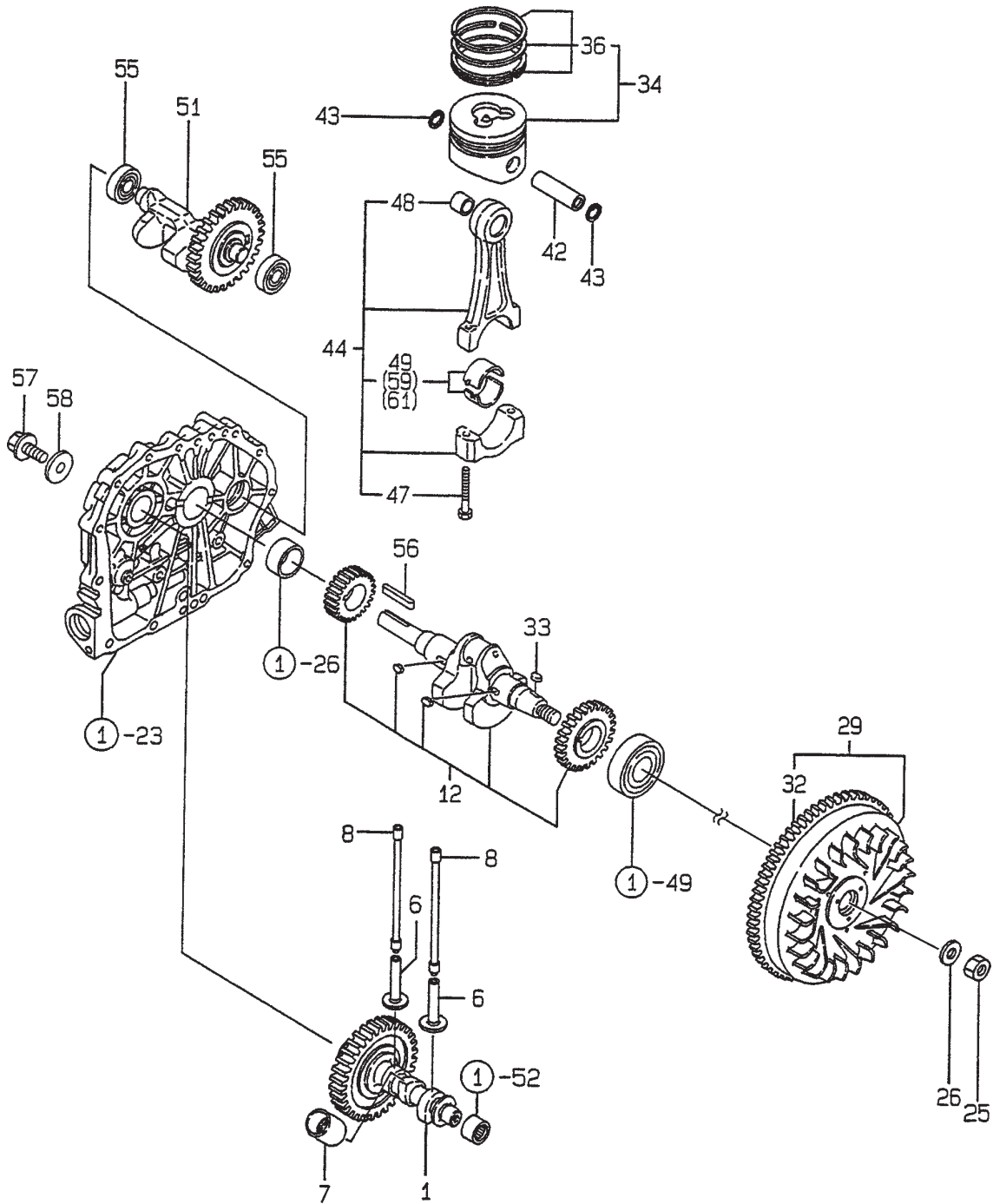
YANMAR L-70EE — AIR CLEANER ASSY.

AIR CLEANER ASSY.

<u>NO.</u>	<u>PART NO.</u>	<u>PART NAME</u>	<u>QTY.</u>	<u>REMARKS</u>
1	11425012211	GASKET, AIR CLEANER	1	
2	71425012560	CLEANER ASSY, AIR	1	INCLUDES ITEMS W/*
4*	11425012520	COVER, AIR CLEANER	1	
5*	11425012530	CASE, AIR CLEANER	1	
6*	11465012591	ELEMENT, WET AIR	1	
7*	11425012560	WASHER M 6, SEAL	1	
8*	11425012550	WING — NUT, M 6	1	
9	11425012300	U — NUT	3	
10	11439912010	PIPE, AIR INTAKE	1	
11	11435012202	GASKET, AIR INTAKE	1	
12	26106060252	BOLT M 6X 25 PLATED	2	
13	26226060142	STUD M 6X 14 PLATED	1	
14	26226060552	STUD M6X 55 PLATED	2	

YANMAR L-70EE — CRANKSHAFT, PISTON, CAMSHAFT ASSY.

CRANKSHAFT, PISTON AND CAMSHAFT ASSY.



- | | |
|------|-----------------------------|
| ①-23 | — SEE CYLINDER BLOCK FIGURE |
| ①-26 | |
| ①-49 | |
| ①-52 | |

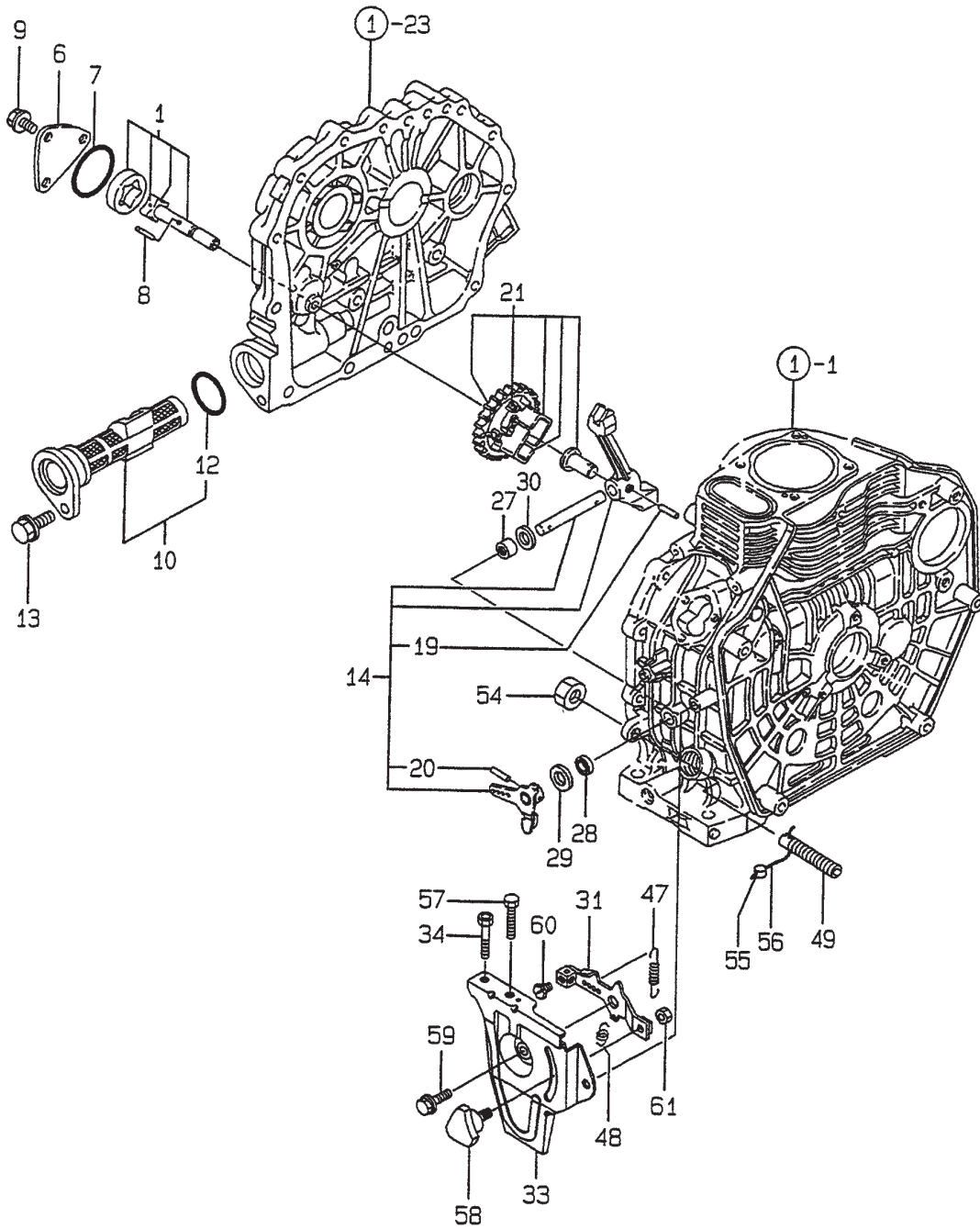
YANMAR L-70EE — CRANKSHAFT, PISTON, CAMSHAFT ASSY.

CRANKSHAFT, PISTON & CAMSHAFT ASSY.

<u>NO.</u>	<u>PART NO.</u>	<u>PART NAME</u>	<u>QTY.</u>	<u>REMARKS</u>
1	71488014580	CAMSHAFT (D) ASSY	1	
6	11425014200	TAPPET	2	
7	11477114260	TAPPET, F.O.	1	
8	11435014450	ROD, PUSH	2	
12	71487621730	CRANKSHAFT ASSY	1	
25	10385401221	NUT M16	1	
26	11425021550	WASHER, FLYWHEEL	1	
29	11488121590	FLYWHEEL W/RING GEAR.....	1	INCLUDES ITEMS W/#
32#	11436221600	GEAR, RING	1	
33	22512040120	KEY 4X 12	1	
34	71487222720	PISTON W/RINGS	1	INCLUDES ITEMS W/*
36*	71487022500	RING SET, PISTON	1	
42	11439922300	PISTON PIN	1	
43	22252000210	CIRCLIP 21	2	
44	71438023700	ROD ASSY, CONNECTING	1	INCLUDES ITEMS W/\$
47\$	11820023200	BOLT, ROD	2	
48\$	11438023100	BUSH, PISTON PIN	1	
49\$	71438023600	BEARING, CRANK PIN	1	
51	71435028520	SHAFT ASSY, BALANCER	1	
55	24101062024	BALL BEARING	2	
56	16084221150	KEY 6.3X50	1	
57	16084221250	BOLT 7/16 — 20UNF	1	
58	16084221260	WASHER	1	
59	71438023610	BEARING, PIN (U.S = 0.25)	1	UNDER SIZED(U.S.=0.25)PART
61	71438023620	BEARING, PIN (U.S = 0.50)	1	UNDER SIZED(U.S.=0.50)PART

YANMAR L-70EE — LUB OIL PUMP AND GOVERNOR ASSY.

LUB. OIL PUMP AND GOVERNOR ASSY.



- ①-1
- ①-23

— SEE CYLINDER BLOCK FIGURE

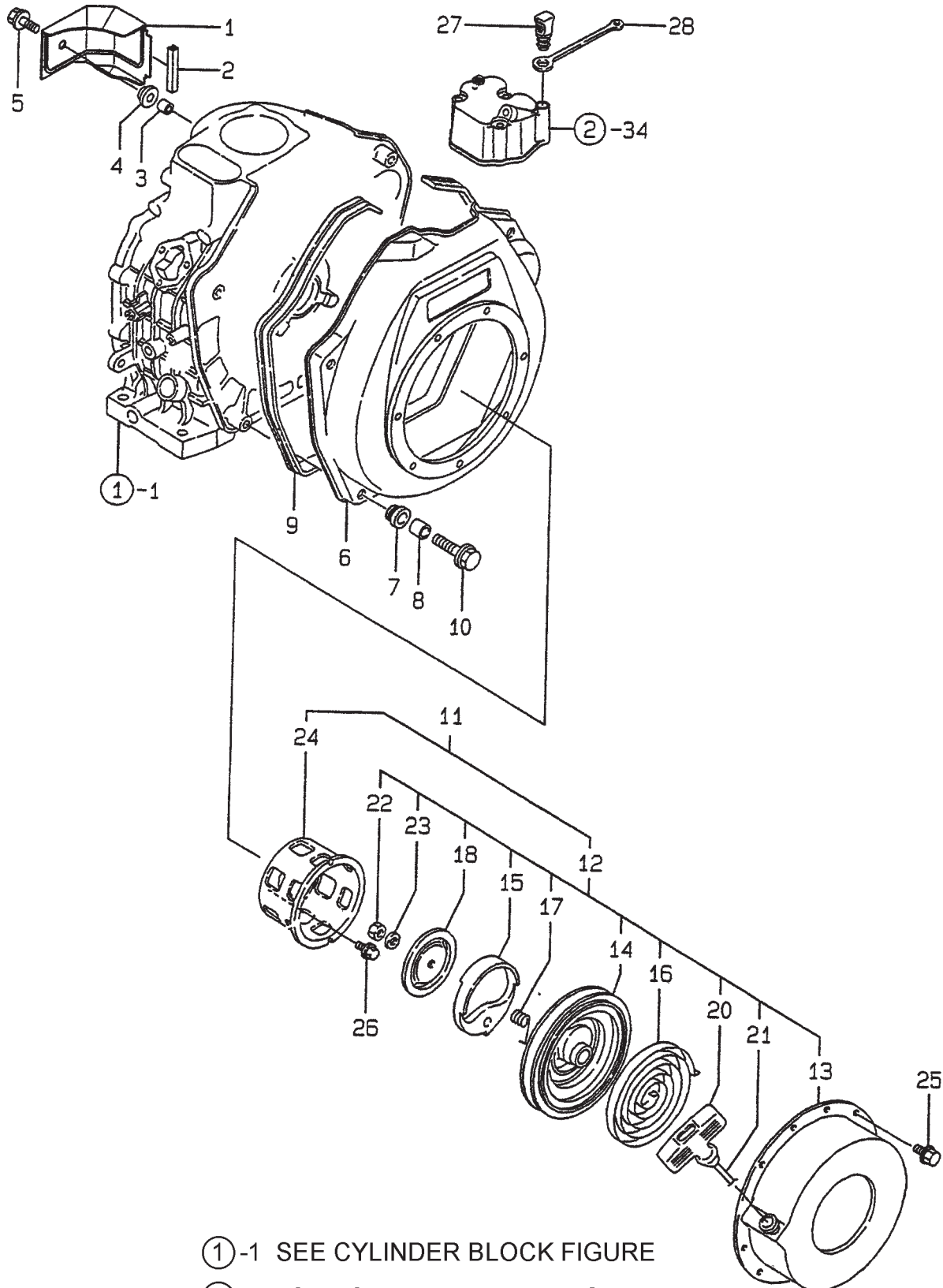
YANMAR L-70EE — LUB OIL PUMP AND GOVERNOR ASSY.

LUB. OIL PUMP & GOVERNOR ASSY.

<u>NO.</u>	<u>PART NO.</u>	<u>PART NAME</u>	<u>QTY.</u>	<u>REMARKS</u>
1	11425032010	PUMP ASSY, LUB. OIL	1	
6	11425032070	COVER, LUB. OIL PUMP	1	
7	10333832570	O — RING	1	
8	22312030160	PARALLEL PIN 3 X 16	1	
9	26476060142	BOLT M 6X 14, TAPPING	3	
10	11425035110	STRAINER, LUB. OIL	1	INCLUDES ITEMS W/*
12*	24341000224	O — RING 1A S — 22.4	1	
13	26106060162	BOLT M 6X 16 PLATED	1	
14	71435061500	LEVER ASSY, GOVERNOR	1	INCLUDES ITEMS W/\$
19\$	22322030200	TAPER PIN 3X20	1	
20\$	22322030200	TAPER PIN 3X20	1	
21	71477061100	GOVERNOR ASSY	1	
27	11477061520	BEARING, NEEDLE	2	
28	11477061600	SEAL, OIL	1	
29	11477061610	WASHER, THRUST	1	
30	11477061190	WASHER	1	
31	11425066050	HANDLE, REGULATOR	1	
33	11429966100	STAY, HANDLE	1	
34	11425066440	BOLT, ADJUSTING	1	
47	11487066010	SPRING, REGULATOR	1	
48	11425066200	SPRING, RETURN	1	
49	11487166550	TORQUE SPRING ASSY	1	
54	26696100002	NUT M10	1	
55	13521061090	LEAD	2	
56	22451060000	WIRE 0.6	2	
57	10210067080	BOLT, ADJUSTING	1	
58	16072578350	KNOB (W/M6X15)	1	
59	26106060142	BOLT M 6X 14 PLATED	1	
60	26117040088	BOLT 4 * 8	1	
61	26347060002	U — NUT 6	1	

YANMAR L-70EE — COOLING AND STARTING DEVICE ASSY.

COOLING AND STARTING DEVICE ASSY.



①-1 SEE CYLINDER BLOCK FIGURE

②-34 SEE CYLINDER HEAD FIGURE

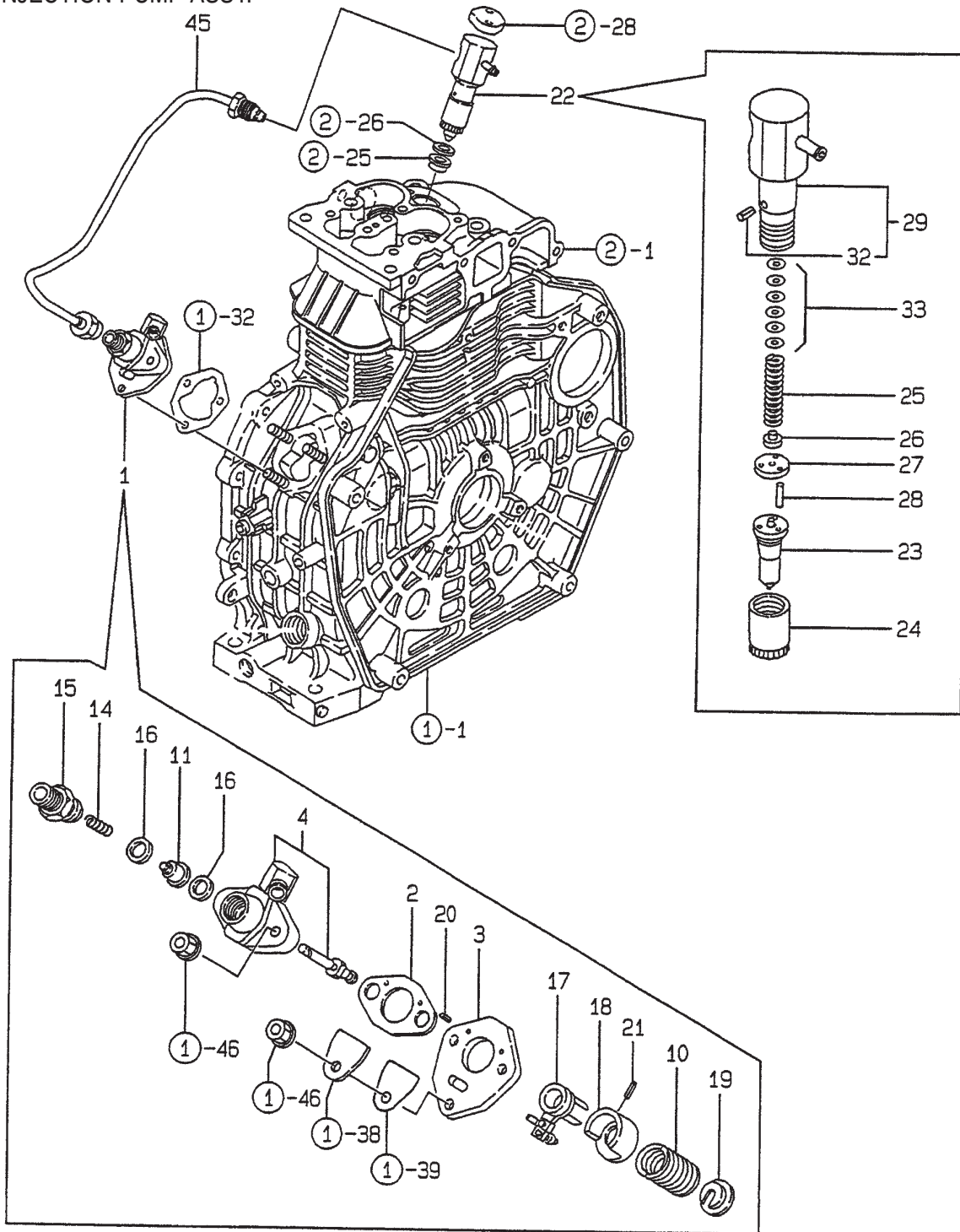
YANMAR L-70EE — COOLING AND STARTING DEVICE ASSY.

COOLING & STARTING DEVICE ASSY.

<u>NO.</u>	<u>PART NO.</u>	<u>PART NAME</u>	<u>QTY.</u>	<u>REMARKS</u>
1	11487045201	COVER	1	
2	11435045320	RUBBER, SEAL	1	
3	11435045340	COLLAR	1	
4	18372055210	GROMMET	1	
5	26106060202	BOLT M 6X 20 PLATED	1	
6	11436045101	CASE, FAN (SILVER) (17)	1	
7	11425045301	RUBBER, CUSHION	4	
8	11425045310	COLLAR	4	
9	11425045330	SEAL, FAN CASE	1	
10	11437045351	BOLT, FAN CASE	4	
11	11488076050	STARTER ASSY, RECOIL	1	INCLUDES ITEMS W/*
12*	11488076250	RECOIL ASSY	1	INCLUDES ITEMS W/+
13*+	11488076510	CASE, STARTER	1	
14*+	16081076520	REEL, RECOIL	1	
15*+	16084076530	RATCHET	1	
16*+	16081076540	SPRING, SPIRAL	1	
17*+	16084076560	SPRING, FRICTION	1	
18*+	16081076580	PLATE, FRICTION	1	
20*+	16081076620	KNOB, STARTER	1	
21*+	16081076630	ROPE, STARTER	1	
22*+	18113076680	NUT	1	
23*+	18113076700	WASHER	1	
24*+	11435076590	PULLEY, STARTER	1	
25	26106060082	BOLT M 6X 8 PLATED	4	
26	26106060122	BOLT M 6X 12 PLATED	3	
27	11425076600	PLUNGER	1	
28	11425076610	HOLDER, PLUNGER	1	

YANMAR L-70EE — FUEL INJECTION PUMP ASSY.

FUEL INJECTION PUMP ASSY.



- ①-1
- ①-32
- ①-39
- ①-46

— SEE CYLINDER BLOCK FIGURE

- ②-1
- ②-25
- ②-26
- ②-28

— SEE CYLINDER HEAD FIGURE

YANMAR L-70EE — FUEL INJECTION PUMP ASSY.

FUEL INJECTION PUMP ASSY.

<u>NO.</u>	<u>PART NO.</u>	<u>PART NAME</u>	<u>QTY.</u>	<u>REMARKS</u>
1	71465051100	PUMP ASSY, F. INJECT.	1	INCLUDES ITEMS W/*
2*	10554651020	GASKET	1	
3*	11425051080	PLATE	1	
4*	11465051100	BODY, F.I. PUMP	1	
10*	11425051160	SPRING	1	
11*	11465051300	VALVE ASSY, DELIVERY	1	
14*	10554651330	SPRING, DELIV. VALVE	1	
15*	11425051340	HOLDER, F.I.P. DELIVE	1	
16*	12455051350	GASKET, DELIVERY	2	
17*	11425051600	LEVER ASSY, CONTROL	1	
18*	11425051640	SEAT (A), SPRING	1	
19*	11425051650	SEAT (B), SPRING	1	
20*	22351020006	SPRING PIN 2X 6	2	
21*	22351030008	SPRING PIN 3X 8	1	
22	71487153100	VALVE ASSY, F. INJECT	1	INCLUDES ITEMS W/#
23#	11487153000	NOZZLE ASSY	1	
24#	11959353080	NUT, NOZZLE CASE	1	
25#	11425053120	SPRING, NOZZLE	1	
26#	11959353130	RETAINER, SPRING	1	
27#	11477553140	SPACER, VALVE STOP	1	
28#	11477553210	PIN	2	
29#	11477553100	HOLDER ASSY	1	INCLUDES ITEMS W/+
32#+	11477553330	PIN	1	
33#	11425053400	SHIM PACK	1	
45	11487159802	PIPE, FUEL INJECTION	1	

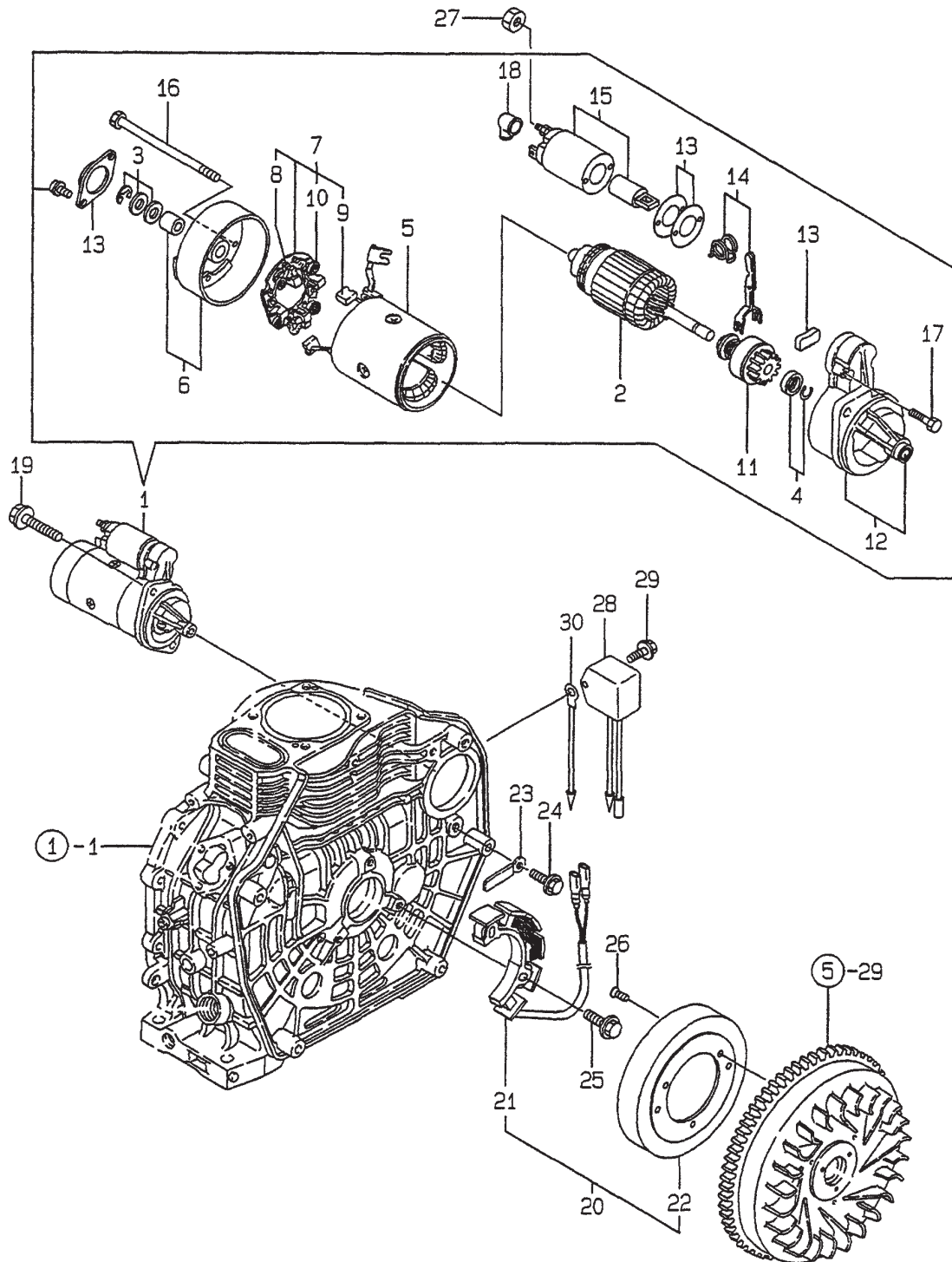
YANMAR L-70EE — FUEL TANK AND FUEL LINE ASSY.

FUEL TANK & FUEL LINE ASSY.

<u>NO.</u>	<u>PART NO.</u>	<u>PART NAME</u>	<u>QTY.</u>	<u>REMARKS</u>
1	71435055711	TANK, FUEL (RED) (50)	1	INCLUDES ITEMS W/*
3*	11428855040	CAP ASSY, TANK	1	INCLUDES ITEMS W/#
5*#	11428855080	VALVE	1	
6*	11425055100	STRAINER, FUEL	1	
7*	11435055150	PIPE, GAUGE	1	
8*	11425055201	DAMPER. FUEL TANK	4	
9*	10385455220	CLAMP	2	
10*	23414080000	GASKET 8, ROUND	1	
11*	10530055080	PLUG, DRAIN	1	
12	11425055121	FILTER, FUEL	1	
13	11425055130	GASKET	1	
14	11429955210	STAY	1	
15	11439955230	STAY (B)	1	
16	11425055300	COCK ASSY, FUEL	1	INCLUDES ITEMS W/\$
17\$	24341000150	O-RING 1A S-15.0	1	
18	11465055810	BOLT, LIFTING	1	
19	22117080000	WASHER 8	1	
20	26106080452	BOLT M 8X 45 PLATED	1	
21	26366060002	NUT M 6	2	
22	26476060142	BOLT M 6X 14, TAPPING	2	
23	10699044660	CLIP, HOSE	2	
24	12472259050	CLAMP 9	2	
25	11425059060	PIPE, FUEL RETURN	1	
26	11426859061	PIPE, FUEL	1	

YANMAR L-70EE — STARTING MOTOR AND DYNAMO ASSY.

STARTING MOTOR AND DYNAMO ASSY.



①-1 SEE CYLINDER BLOCK FIGURE

⑤-29 SEE CRANKSHAFT, PISTON & CAMSHAFT FIGURE

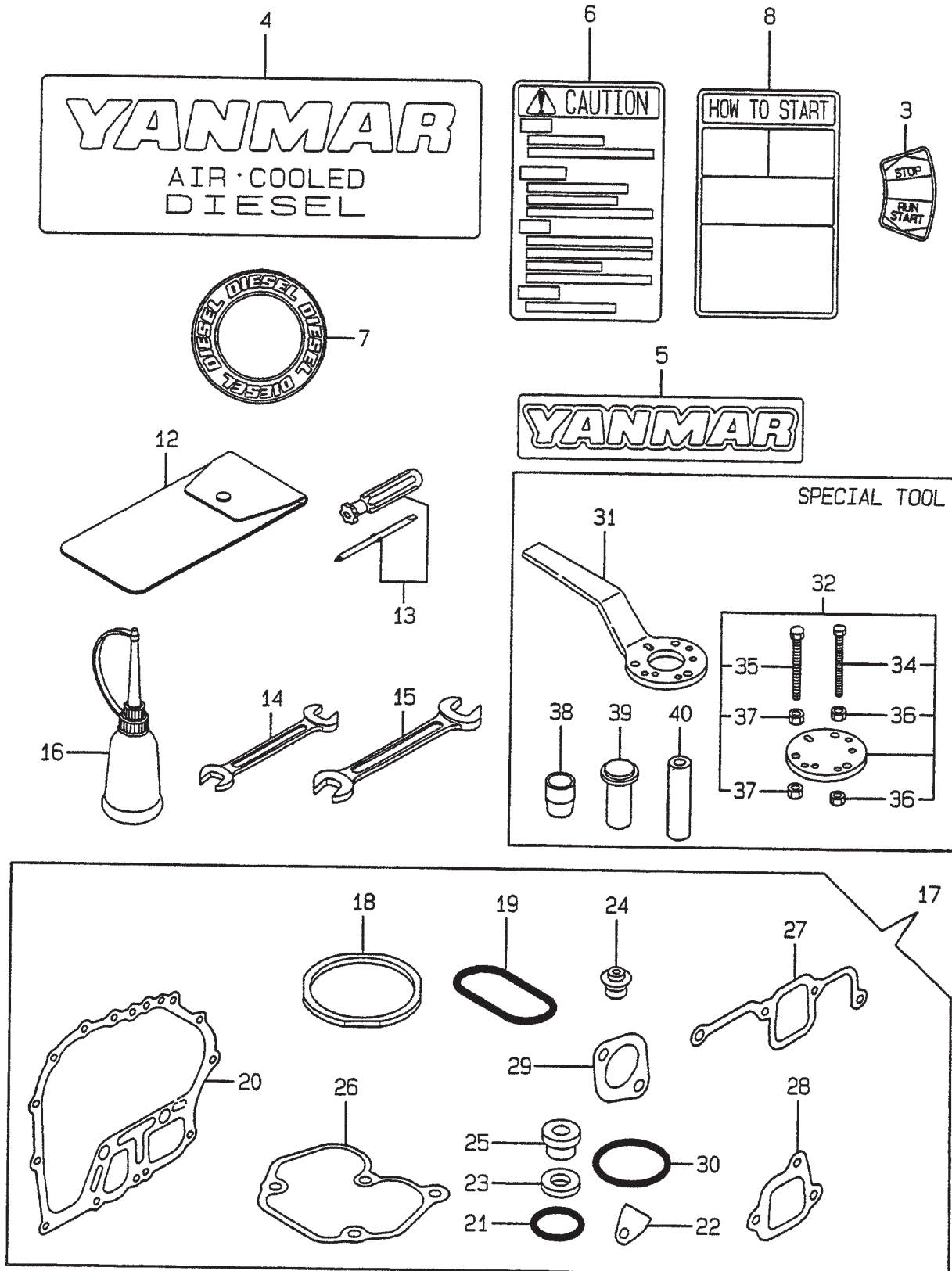
YANMAR L-70EE — STARTING MOTOR AND DYNAMO ASSY.

STARTING MOTOR & DYNAMO ASSY.

<u>NO.</u>	<u>PART NO.</u>	<u>PART NAME</u>	<u>QTY.</u>	<u>REMARKS</u>
1	11436277011	STARTER (S114 - 414A)	1	INCLUDES ITEMS W/*
2*	11438177110	ARMATURE	1	
3*	X2114811000	WASHER KIT, THRUST	1	
4*	X2114715500	STOPPER SET, PINION	1	
5*	11438177130	COIL ASSY, FIELD	1	
6*	11438177140	COVER, REAR	1	
7*	11437177160	HOLDER ASSY, BRUSH	1	
8*	11437179040	BRUSH (-)	2	
9*	11437179050	BRUSH (+)	1	
10*	11437179060	SPRING, BRUSH	4	
11*	X2114455080	PINION ASSY.	1	
12*	11438177150	HOUSING ASSY., GEAR	1	
13*	11437177170	COVER KIT, DUST	1	
14*	X2114560130	LEVER KIT, SHIFT	1	
15*	X2114275010	SWITCH ASSY, MAGNET	1	
16*	X2114680050	BOLT, THROUGH	2	
17*	11437179070	BOLT M 6X 37	2	
18*	X2114274200	COVER, TERMINAL	1	
19	26106100302	BOLT M10X 30 PLATED	2	
20	11435178251	DYNAMO ASSY.	1	INCLUDES ITEMS W/\$
21\$	11435178751	STATOR ASSY.	1	
22\$	11435178761	WHEEL, DYNAMO	1	
23	16071078710	CLAMP, CORD	1	
24	26106060122	BOLT M 6X 12 PLATED	1	
25	26476060202	BOLT M 6X 20, TAPPING	3	
26	26577060142	SCREW M 6X 14	3	
27	26716080002	NUT M 8	1	
28	16097077350	RECTIFIER	1	
29	26106060122	BOLT M 6X 12 PLATED	1	
30	18335077400	WIRE, LEAD	1	

YANMAR L-70EE — TOOL, LABEL, AND GASKET ASSY.

TOOL, LABEL AND GASKET SET ASSY.



YANMAR L-70EE — TOOL, LABEL, AND GASKET ASSY.

TOOL, LABEL & GASKET SET ASSY.

<u>NO.</u>	<u>PART NO.</u>	<u>PART NAME</u>	<u>QTY.</u>	<u>REMARKS</u>
3	18325007230	LABEL, OPERATION	1	
4	11425007090	LABEL, AIR COOLED	1	
5	11425007111	LABEL, YANMAR	1	
6	11426807240	LABEL, CAUTION	1	
7	11426107350	LABEL	1	
8	11426807350	LABEL, HOW TO START	1	
12	11425092600	BAG, TOOL	1	
13	16033092730	SCREWDRIVER	1	
14	28110100120	WRENCH 10X12	1	
15	28110140170	WRENCH 14X17	1	
16	28210000150	FEEDER, OIL	1	
17	71487192600	GASKET SET	1	INCLUDES ITEMS W/*
18	11487101330	GASKET, CYL. HEAD CMP	1	
19	11435001380	O — RING	1	
20	11435001412	GASKET, CRANK CASE	1	
21	11429901950	O — RING	2	
22	11425001841	GASKET	1	
23	22190160002	SEAL WASHER 16S	2	
24	11435011340	SEAL, VALVE STEM	2	
25	11477111461	GASKET, NOZZLE	1	
26	11477111310	GASKET, BONNET	1	
27	11435012202	GASKET, AIR INTAKE	1	
28	11425012211	GASKET, AIR CLEANER	1	
29	11425013201	GASKET (NON — ASB.)	1	
30	10333832570	O — RING	1	
31	11425092101	F.W. LOCKING HANDLE	1	
32	11425092130	REMOVER, FLYWHEEL	1	INCLUDES ITEMS W/#
34#	26116060454	BOLT M 6X 45 PLATED	4	
35#	26116080454	BOLT M 8X 45 PLATED	3	
36#	26716060002	NUT 6	8	
37#	26716080002	NUT M 8	6	
38	11436892300	GUIDE, OIL SEAL	1	
39	11435092311	INSTALLING TOOL	1	
40	11435092350	INSTALLING TOOL	1	