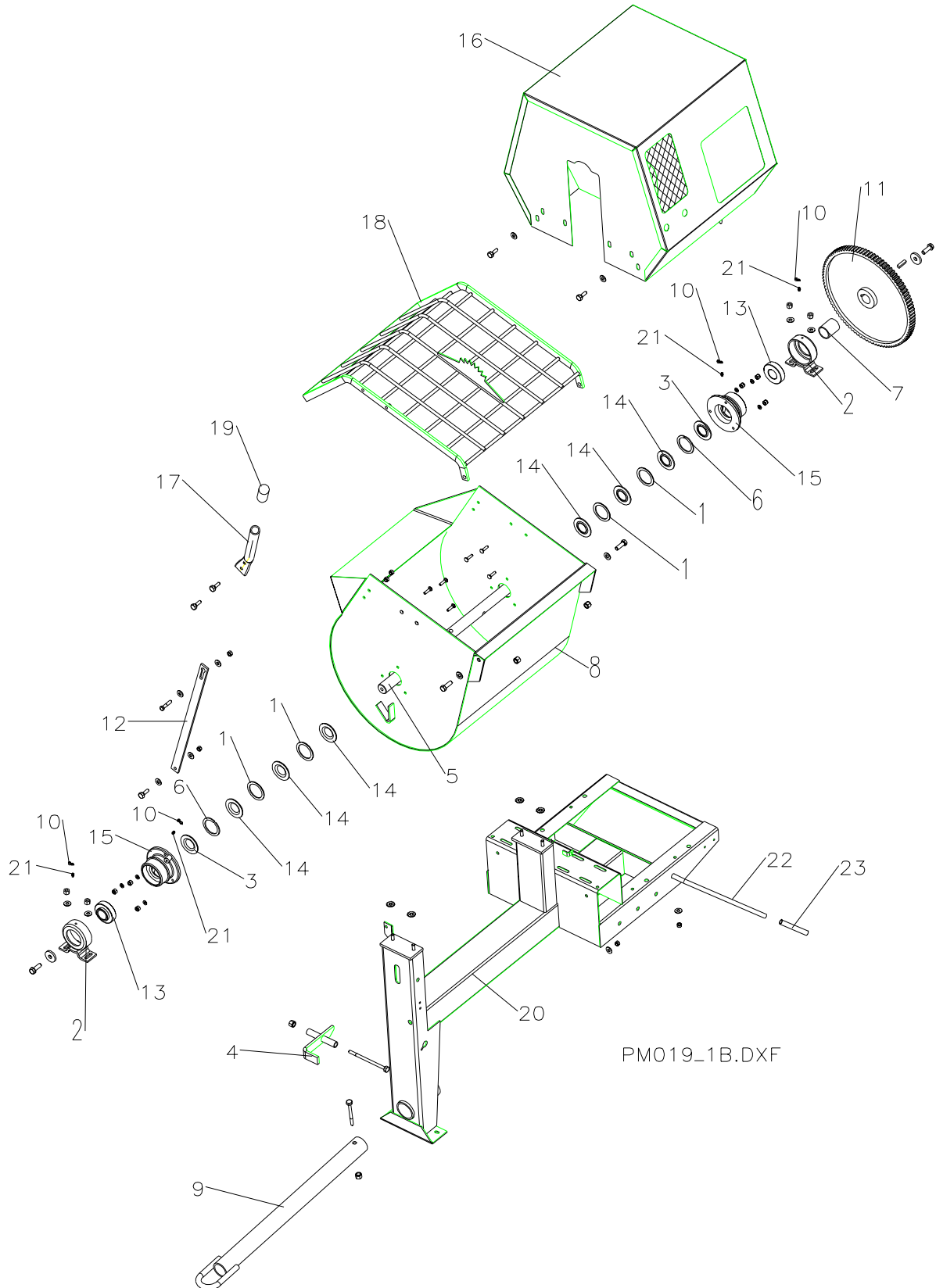


PARTS LIST

Frame and Drum Assembly



PARTS LIST

Frame and Drum Assembly

ITEM	PART NO.	DESCRIPTION	QTY
1	24017	Seal Spacer	4
2	24021-2	Trun Weld	2
3	24022	Seal Drum Black	2
4	24027-2	Latch Drum Weld	1
5	22336	Kit Paddle Shaft	1
6	25881	Split Washer	2
7	25909	Spacer Gear	1
8	25934-2	Drum Weld	1
9	26096-2	Tow Pole Weld	1
10	47001	Caplug Blue	4
11	23120	Bullgear Assembly	1
12	28920-2	Guard Lifter	1
13	32003	Bearing	2
14	32324	Seal Drum Yellow	6
15	32326	Bearing Housing	2
16	42759-2	Cowl (5.5hp Honda, 5.5hp B&S, 8hp Honda, 7.5hp Robin, 6hp Robin, 1 1/2hp Electric)	1
	42796-2	Cowl (8hp B&S, 8hp B&S I/P)	1
17	23179	Handle Assembly	1
18	44356-2	Guard	1
19	44359	Grip Handle Plain	1
20	44385-2	Frame Weld	1
21	46042	Fitting	4
22	42769-2	Clutch Lever	1
23	34687	Grip Clutch Handle	1
**	23431	Kit Brg Seal	1
***	23430	Kit Seal Spacer	1

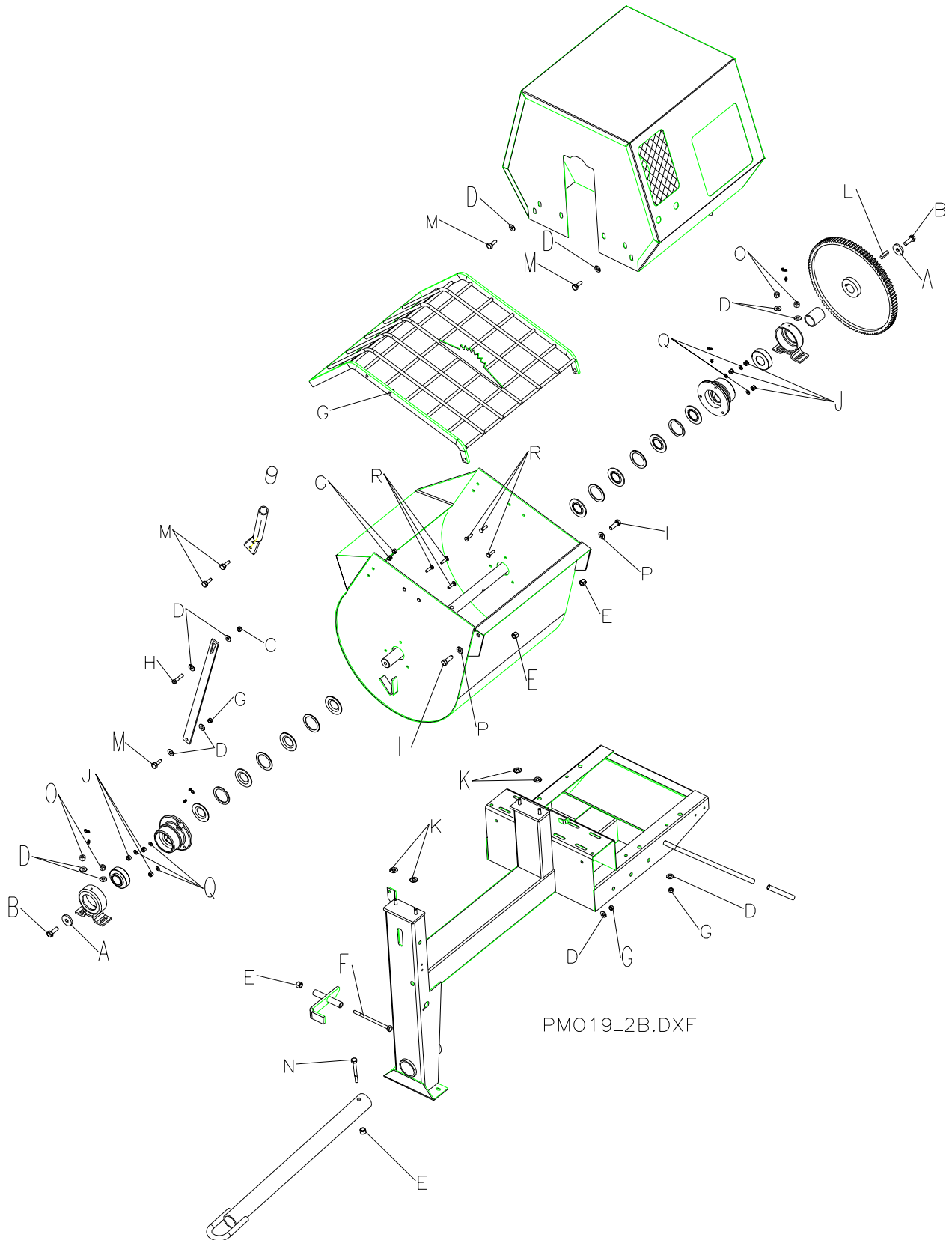
** Kit Brg Seal Includes Items 1, 3, 6, 13, and 14 (2 sets required)

*** Kit Seal Spacer Includes Items 1, 3, 6, and 14

**NOTE: If your mixer has a WELDED ON bearing housing you must purchase this bearing kit version: ST22153
The ST23432 featured here is for the BOLT on version ONLY.**

PARTS LIST

Frame and Drum Assembly Cont'd.



PMO19_2B.DXF

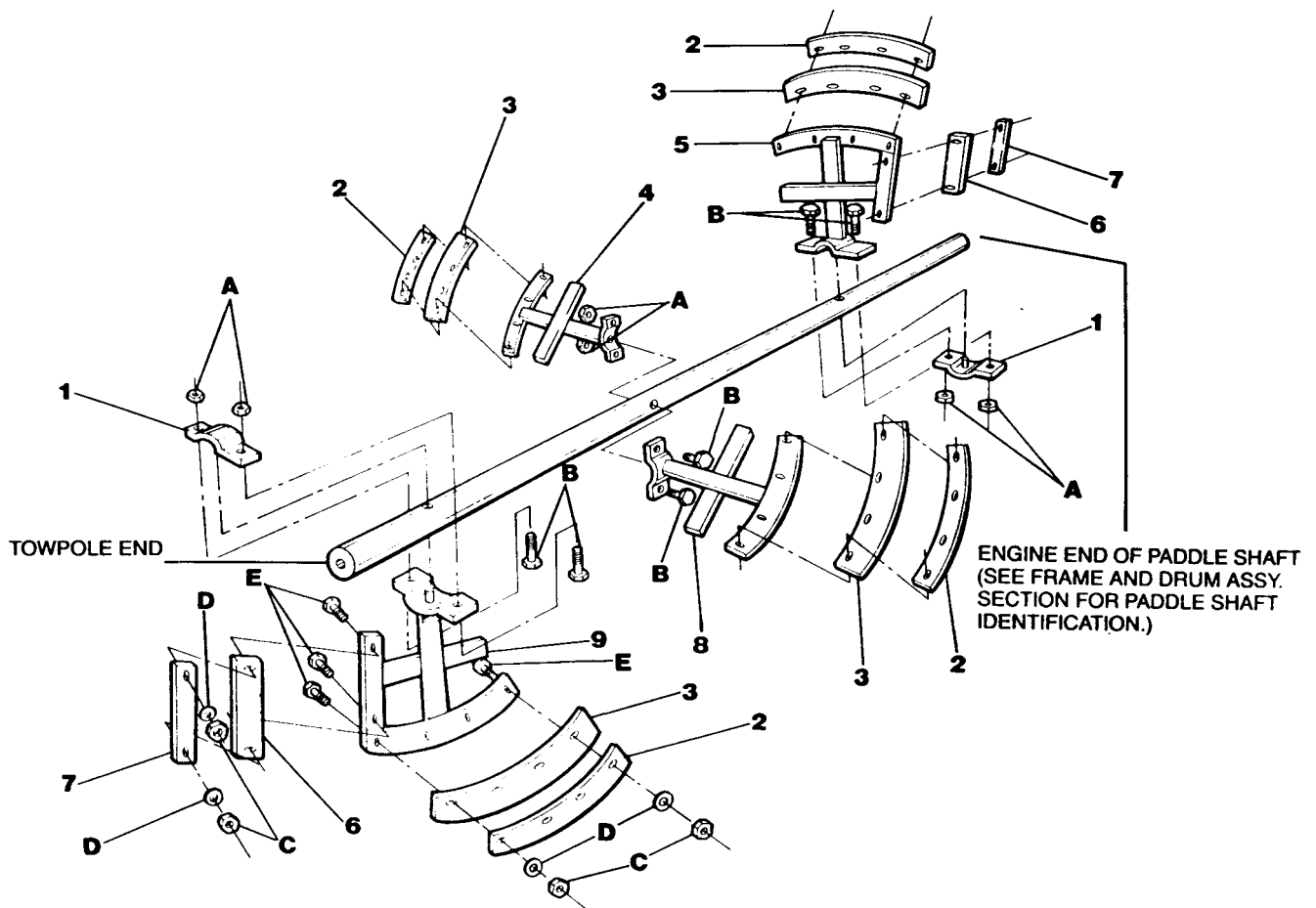
PARTS LIST

Frame and Drum Assembly Cont'd.

ITEM	PART NO.	DESCRIPTION	QTY
A	26326	WSHR 9/16 x 1-3/4 x 1/4	2
B	80031	HWHTB 1/2 - 13 x 1-1/2	2
C	80042	NUTFX 3/8 - 16 ZN	1
D	80043	WSHR 3/8 WROT ZN	16
E	80051	NUTNY 1/2 - 13 ZN	4
F	80052	HHCS 1/2 - 13 x 6-1/2 ZN	1
G	80056	NUTNY 3/8 - 16 ZN	8
H	80072	HHCS 3/8 - 16 x 1-3/4 GR5 ZN	1
I	80075	HHCS 1/2 - 13 x 1-1/2 ZN	2
J	80114	NUTNY 5/6 - 18 ZN	6
K	80119	WSHRLT 3/8 ZN	4
L	81060	KEY 3/8 x 1/1/2	1
M	80145	HHCS 3/8 - 16 x 1-1/4 ZN	7
N	80197	HHCS 1/2 - 13 x 4ZN	1
O	80326	NUTFL 3/8 - 16 (1/2 HEIGHT)	4
P	80343	WSHR 1/2 SAE ZN	2
Q	80495	WSHR SAE 5/16 ZN	6
R	81064	CRBLT 5/16 - 18 x 1-1/4 ZN	6

PARTS LIST

Paddle Assembly



M

PARTS LIST

Paddle Assembly

ITEM	PART NO.	DESCRIPTION	QTY.
1	24107-2	Clamp Paddle	2
2	24104-2	Backer Long	4
3	24106	Rubber Long	4
4	24221-2	Paddle EEC	1
5	24222-2	Paddle EE	1
6	24033	Rubber Short	2
7	24031-2	Backer Short	2
8	24220-2	Paddle TPEC	1
9	24219-2	Paddle TPE	1
A	80051	NUTNY 1/2 - 13 ZN	6
B	80089	HHCS 1/2 - 13 x 1-3/4 ZN	6
C	80042	NUTFX 3/8 - 16 ZN	22
D	80043	WSHR 3/8 WROT ZN	22
E	80041	CRBLT 3/8 - 16 x 1-1/4 ZN	22

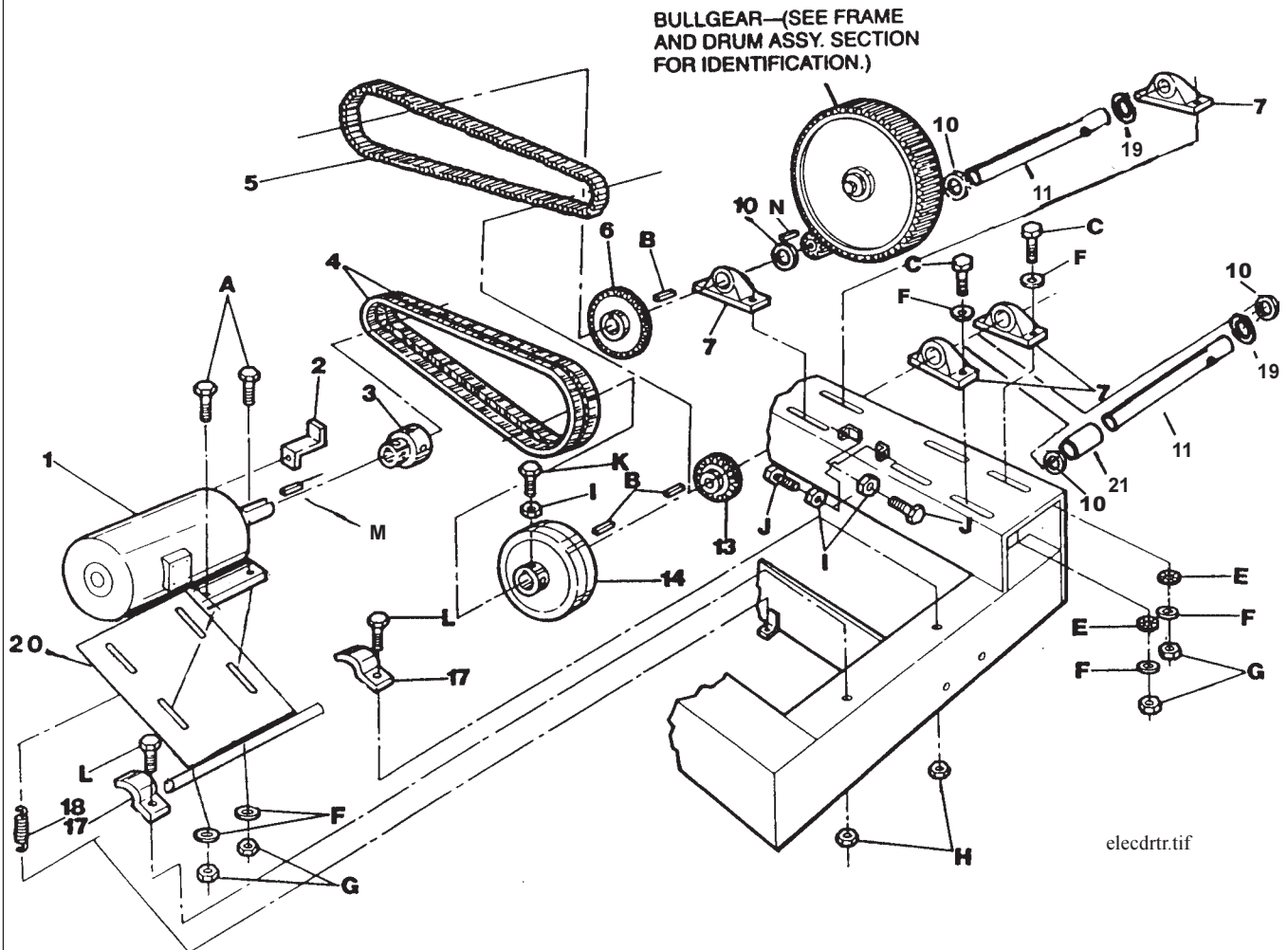
BLADE AND PADDLE SETS

For convenience, the following Blade and Paddle Sets are available:

PART NO.	DESCRIPTION	QTY.
21065	Set Stl Bld (4) Part No. 24109 (2) Part No. 24073	1
21047	Set Rub Bld (4) Part No. 24106 (2) Part No. 24033	1
21048	Set Back Bar (4) Part No. 24104-2 (2) Part No. 24031-2	1
21199	Paddle Assembly (1) Part No. 24219-2 (1) Part No. 24220-2 (1) Part No. 24221-2 (1) Part No. 24222-2 (2) Part No. 24031-2 (2) Part No. 24033 (4) Part No. 24104-2 (4) Part No. 24106	1
	Complete Drum Paddle Assembly (includes drum, paddles, and standard blades)	1
23181	Drum Paddle Assembly	1

PARTS LIST

Electric Motor Drive Train



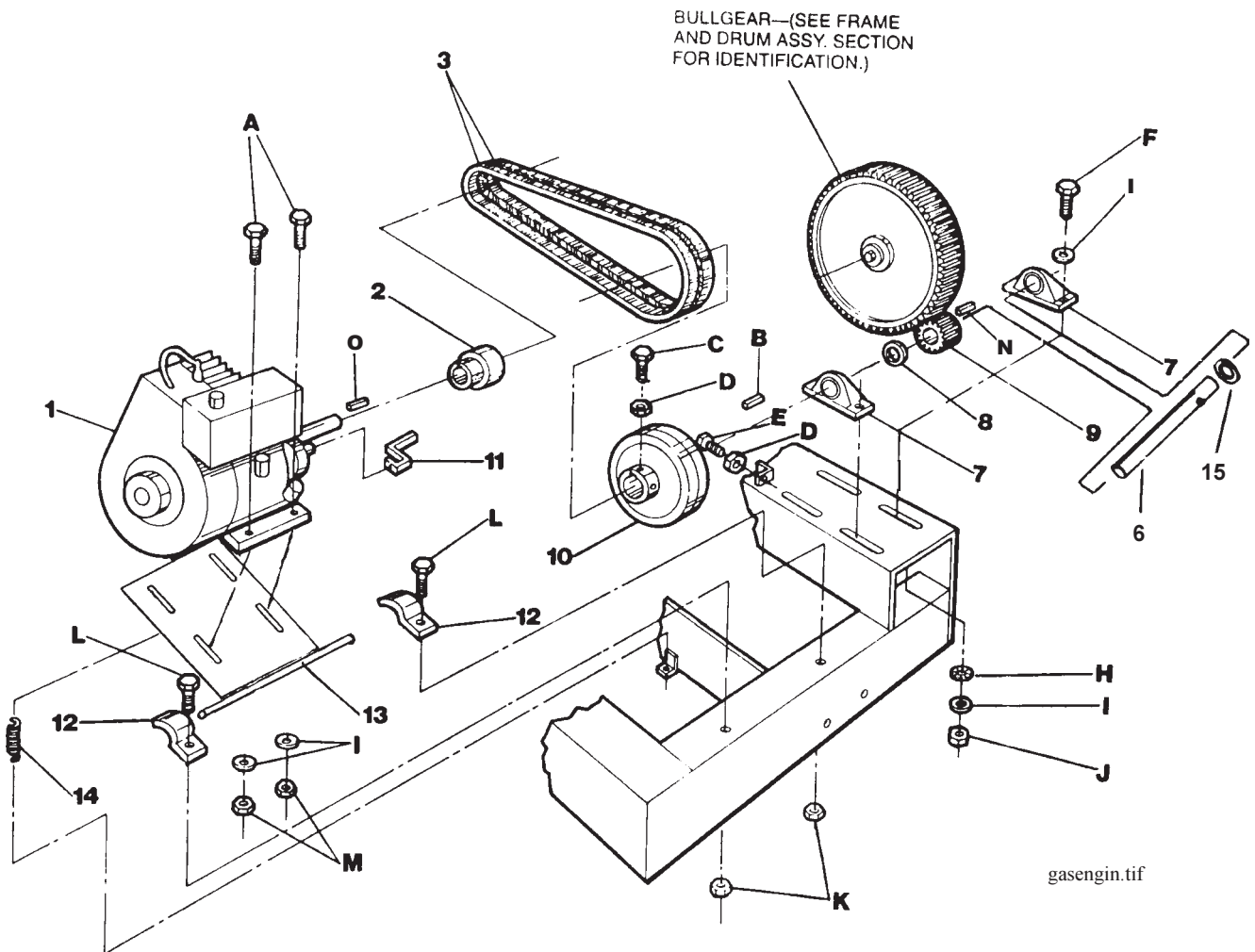
PARTS LIST

Electric Motor Drive Train

ITEM	PART NO.	DESCRIPTION	QTY.
1	30167	Motor Electric 1-1/2 hp	1
2	42446-2	Belt Guide	1
3	38666	Sheave 2-1/2 x 7/8	1
4	34617	V-Belt a28	2
5	21184	Chain Assembly	1
6	34127	Sprocket, 50B24 x 1	1
7	32208	Pillow Block	4
10	24622	Washer Pinion	4
11	22509	Shaft Assembly	2
13	34126	Sprocket, 50B14 x 1	1
14	38450	Sheave 8 in	1
17	27575-2	Bracket Motor Base	2
18	34849	Spring Motor Base	1
19	38122	Washer Retainer Pin	1
20	39567-2	Motor Base	1
21	29138	Spacer Pillow Block	1
	22850	Complete Pinion Assembly (includes pinion, shaft, and bearings)	
	21300	Complete Idler Assembly (includes spacer, shaft, and bearings)	
A	80145	HHCS 3/8 - 16 x 1-1/4 ZN	4
B	80100	KEY 1/4 x 1	3
C	80072	HHCS 3/8 - 16 x 1-3/4 ZN	8
E	80119	WSHRLT 3/8 INT/EXT ZN	8
F	26325	WSHR MTR BASE	20
G	80056	NUTNY 3/8 - 16 ZN	12
H	80051	NUTNY 1/2 - 13 ZN	2
I	80244	NTFXJ 5/16 - 18 ZN	3
J	80164	HHTB 5/16 - 18 x 1-1/2 ZN GR5	2
K	80258	SQHSS 5/16 - 18 x 3/4 ZN	1
L	80075	HHCS 1/2 - 13 x 1-1/2 ZN	2
M	80060	KEY SQ 3/16 x 1	1
N	80061	KEY SQ 1/4 x 1-1/2	1

PARTS LIST

Gas Engine Drive Train



gasengin.tif

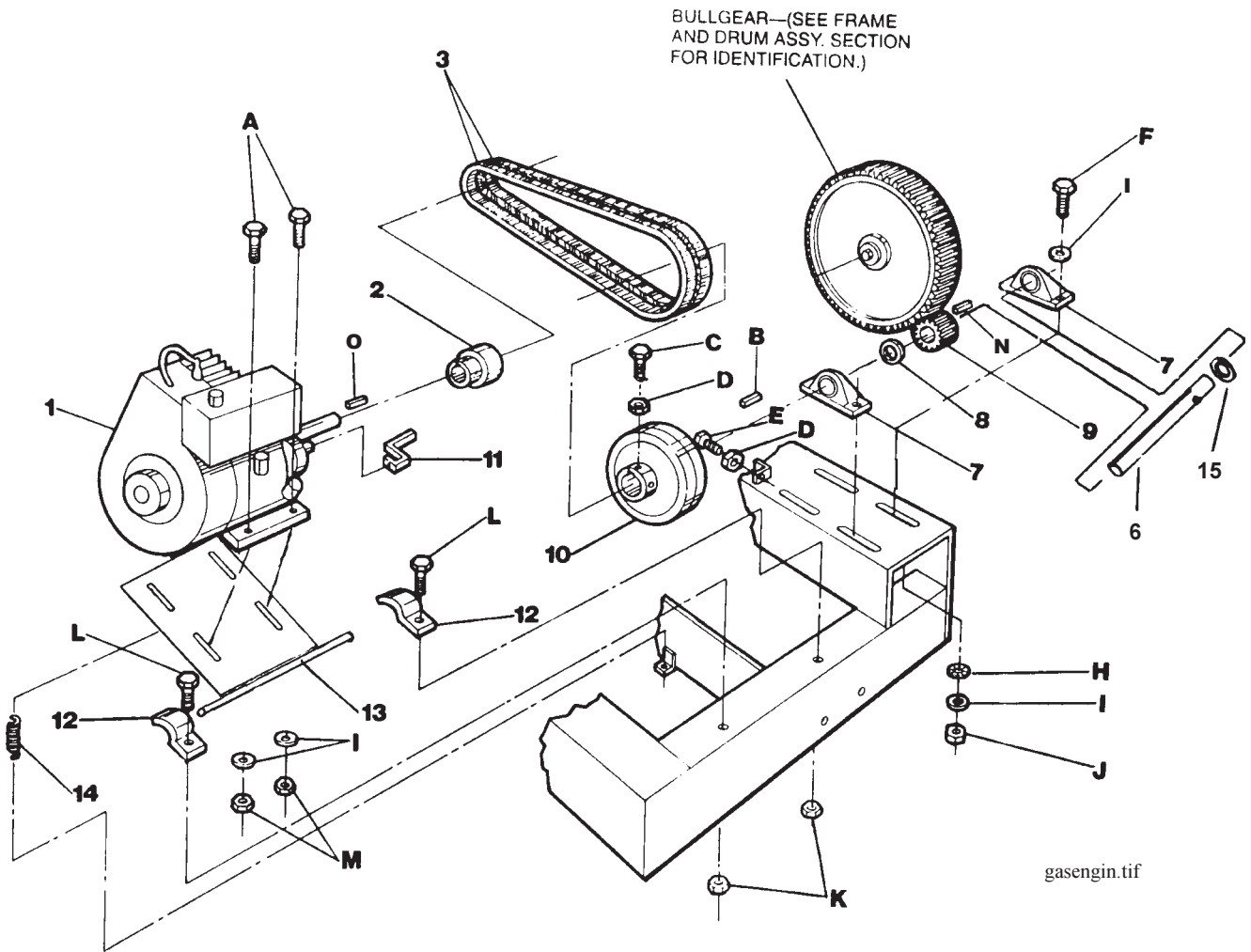
PARTS LIST

Gas Engine Drive Train

ITEM	PART NO.	DESCRIPTION	QTY
1	30585	Engine (5 hp B&S)	1
	31213	Engine (5.5 hp Honda)	1
	30155	Engine (8hp Honda)	1
	30398	Engine (8hp B&S) Modified	1
	30249	Engine (7.5hp Robin)	1
	30399	Engine (8hp B&S I/P) Modified	1
2	38664	Sheave, 4.25 x 3/4 (5hp B&S, 5.5hp Honda)	1
2	38449	Sheave, 4.25 x 1 (8hp Honda, 8hp B&S, 7.5hp Robin, 8hp B&S I/P)	1
3	34052	V-Belt A-32	2
6	22509	Shaft Assembly	1
7	32208	Pillow Block	2
8	24622	Washer Pinion	2
9	23121	Pinion Gear	1
10	38450	Sheave, 8 in	1
11	26199-2	Belt Guide	1
12	27575-2	Bracket Motor Base	2
13	39565-2	Motor Base (5hp B&S, 5.5hp Honda)	1
	39557-2	Motor Base (8hp Honda, 8hp B&S 8hp B&S I/P)	1
	39443-2	Motor Base 7.5hp Robin	1
14	34849	Spring Motor Base	1
15	38122	Washer Retainer Pin	1
	22859	Complete Pinion Assembly (includes pinion, shaft, and bearings)	

PARTS LIST

Gas Engine Drive Train Cont'd.



gasengin.tif

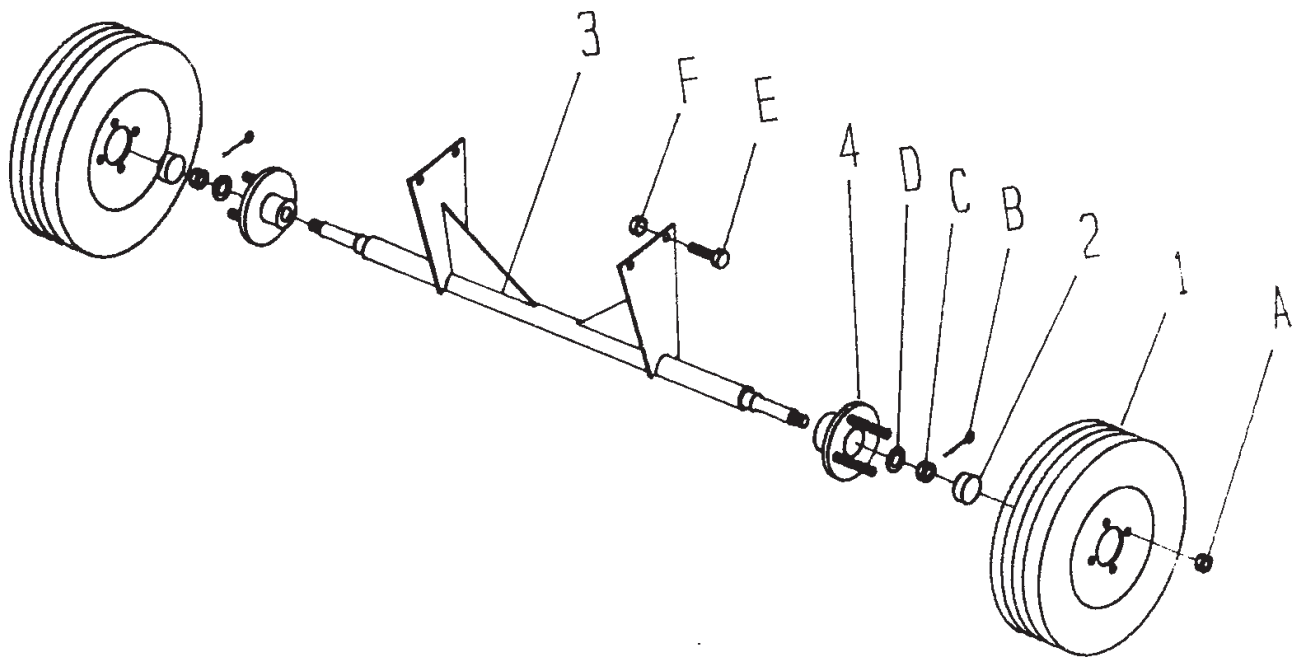
PARTS LIST

Gas Engine Drive Train Cont'd.

ITEM	PART NO.	DESCRIPTION	QTY
A	80475	HHCS 5/16 - 18 x 1-3/4(5hp B&S, 5.5hp Honda)	4
	80178	HHCS 3/8 - 16 x 2 (8hp Honda)	4
	80145	HHCS 3/8 - 16 x 1-1/4 (8hp B&S)	4
	80072	HHCS 3/8 - 16 x 1-3/4 (7.5hp Robin)	4
B	80100	KEY 1/4 x 1	1
C	80258	SQHSS 5/16 - 18 x 3/4	1
D	80244	NTFXS 5/16 - 18	2
E	80164	HHTB 5/16 - 18 x 1-1/2	1
F	80072	HHCS 3/18 - 16 x 1-3/4	4
H	80119	WSHLT 3/8 INT/EXT	4
I	26325	WSHR MTR BASE	12
J	80056	NUTNY 3/8 - 16	4
K	80051	NUTNY 1/2 - 13	2
L	80075	HHCS 1/2 - 13 x 1-1/2	2
M	80114	NUTNY 5/16 - 18 (5hp B&S, 5.5hp Honda, 6hp Robin)	4
	80056	NUTNY 3/8 - 16 (8hp Honda, 8hp B&S, 7.5hp Robin)	4
N	80061	KEY SQ 1/4 x 1-1/2	1
O	80100	KEY SQ 1/4 x 1 (8hp B&S, 8hp Honda, 7.5hp Robin)	1
	80060	KEY SQ 3/16 x 1 (5hp B&S, 5.5hp Honda)	1

PARTS LIST

Standard Axle Assembly



PARTS LIST

Standard Axle Assembly

ITEM	PART NO.	DESCRIPTION	QTY.
1	34605	Tire and Rim 4.80 x 8	2
2	35473	Dust Cap	2
3	42750-2	Axle, Weld	2
4	34501	Hub 4-Bolt w/Tapered Brg	2
A	80045	LGNUT 1/2 - 20 ZN	8
B	80316	PINCT 1/8 x 1-1/2 ZN	2
C	80054	NUTSFX 3/4 - 16 ZN	2
D	80344	WSHR 3/4 ZN	2
E	80104	HHCS 1/2 - 13 x 1-1/4 ZN	4
F	80051	NUTNY 1/2 - 13 ZN	4

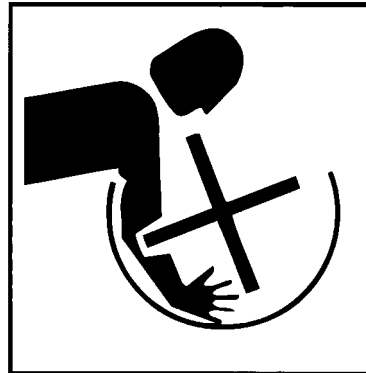
PARTS LIST

Decal Identification

⚠ WARNING



Do not run machine with cover open.



⚠ WARNING

Shut off machine to service or clean.

55010

⚠ WARNING

Always stop engine when cleaning or adjusting machine. If electric motor pull plug.

⚠ CAUTION



FOR YOUR SAFETY

- Read owner's service manual before operating or servicing this machine.
- Always keep unauthorized, inexperienced, untrained people away from this machine.
- Rotating and moving parts will cause injury if contacted. Make sure guards and safety devices are in place before this machine is operated.
- Make sure engine is shut down and spark plug wire disconnected before servicing the machine or approaching the moving parts- if electric motor, disconnect plug.
- Never leave machine unattended when operating. Always stop engine or motor before adding fuel or oil.

NOTICE

Contact the manufacturer immediately at 1-800-888-9926 if safety or hazard decals or owner's manual are missing from this equipment.



⚠ DANGER

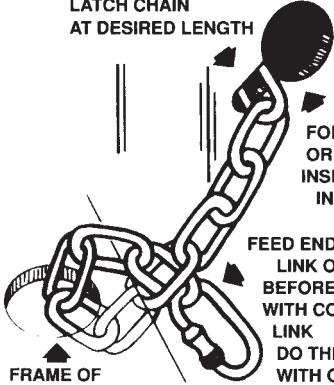
GASOLINE
Stop engine and extinguish all flames and smoking materials before refueling. Use a safety can.

SAFETY CHAIN

"PATENT #4180281"

CROSS CHAIN UNDER TOW POLE WITH 4" - 5" VERTICAL SLACK

LATCH CHAIN AT DESIRED LENGTH



FOR EXCESS OR STORAGE, INSERT CHAIN INTO HOLE

FEED END THROUGH LINK OF CHAIN BEFORE SECURING WITH CONNECTING LINK DO THE SAME WITH OPPOSITE END OF CHAIN

FRAME OF TOWING VEHICLE

CAUTION
READ OPERATING INSTRUCTIONS BEFORE RUNNING MIXER

55121

PARTS LIST

Decal Identification

ITEM	PART NO.	DESCRIPTION	QTY.
1	55388	Kit Decals 655PM, 755PM, 855PM	1
	55010	Decal Warning Shut Off	1
	55011	Decal Warning Cover	1
	55127	Decal Warning Stop Engine	1
	55128	Decal Danger Gasoline	1
	55156	Decal Notice Missing Decals	1
	55046	Decal Safety Instructions	1
2	55402	Kit Decals Std. Features, Grease, Safety	1
	55119	Decal Stone/Features 7 x 9	1
	55121	Decal Caution Safety Chain	1
	55007	Decal Grease Weekly Blue	1