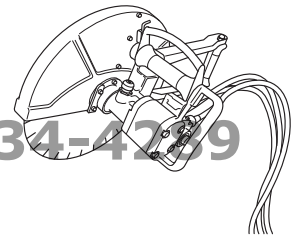


DIMAS

ConstructionParts.com 888-634-4289



IPL, DIMAS HS-170, 2003-19, 531 13 11-81

DIMAS HS-170

Reservdelar

Spare parts

Ersatzteile

Pieces de rechange

Piezas de repuesto

Ricambi

Peças
sobresselente

ConstructionParts.com

ConstructionParts.com

888-634-4289

531 13 11-81

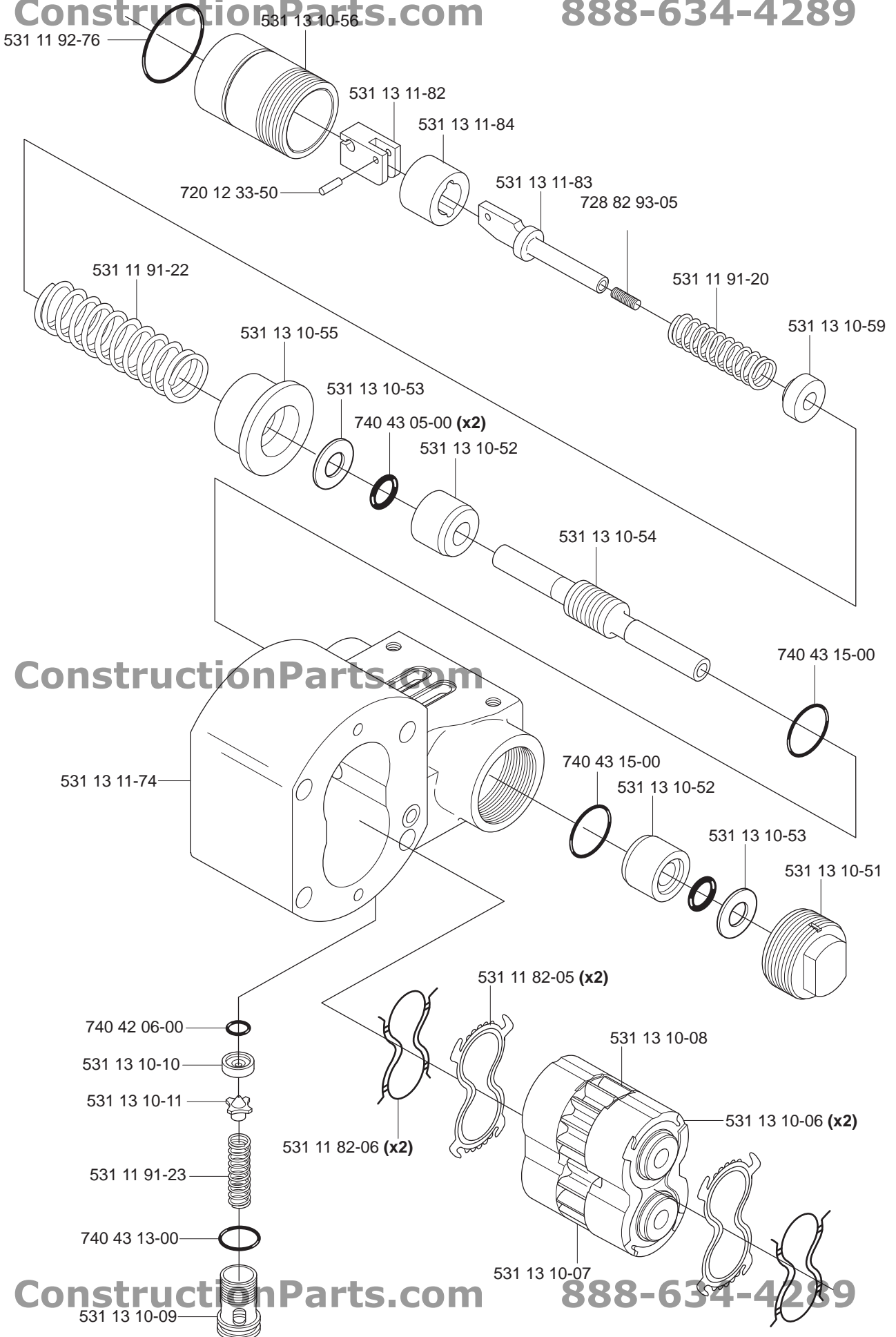
DIMAS

No.	Pos.	Description	No.	Pos.	Description
531 11 40-01	F	Blade guard	531 13 10-56	A	Spring housing
531 11 40-02	F	Splash guard	531 13 10-59	A	Spring guide
531 11 80-03	G	Quick coupling, female 1800 uv	531 13 10-62	E	Stop lever,front
531 11 80-49	G	Hydraulic coupling 3/8", female	531 13 10-63	E	Stop lever rear
531 11 80-50	G	Hydraulic coupling 3/8", male	531 13 10-64	E	Pivoting pin
531 11 80-80	B	Pressure relief valve	531 13 10-65	E	Pin
531 11 81-81	G	Water hose 3m HH 170	531 13 10-66	E	Link
531 11 82-05	A	Seal "Rubber eight"	531 13 10-67	E	Spacer
531 11 82-06	A	Seal "Plastic eight"	531 13 10-68	E	Pull-rod
531 11 82-12	G	Water filter	531 13 10-69	E	Cover plate
531 11 82-34	G	Hydraulic hose 3m	531 13 10-72	B	Return block
531 11 90-08	F	Ventilation hose 4x7	531 13 10-74	E	Handle attachment,upper
531 11 90-34	H	Hook Wrench 68mm	531 13 10-76	E	Handle attachment,lower
531 11 91-18	D	Spring 5948	531 13 10-89	F	Clamping ring
531 11 91-19	C	Spring 5952	531 13 11-46	E	Handle right
531 11 91-20	A	Spring 6022	531 13 11-50	B	Piston
531 11 91-22	A	Spring 6077	531 13 11-52	C	Spring washer
531 11 91-23	AB	Spring 6082	531 13 11-53	B	Water control screw
531 11 91-78	C	Shaft seal BASL 30x40x7 RF	531 13 11-57	E	Trigger
531 11 91-81	E	Washer 10.5x22	531 13 11-58	E	Trigger screw
531 11 91-85	G	Sealing ring 1/2"	531 13 11-59	E	Screw
531 11 92-12	E	Screw M6S 6x20	531 13 11-63	C	Support washer
531 11 92-32	F	Screw MC6S 6x14	531 13 11-67	G	Water filter,male
531 11 92-48	E	Nut cap M10	531 13 11-68	G	Water filter,female
531 11 92-53	B	Screw MLC6S 6x20	531 13 11-70	F	Stop
531 11 92-63	B	O-ring 19,3x2,4	531 13 11-73	B	Pressure connection, PLC
531 11 92-72	B	O-ring 25,3x2,4	531 13 11-74	A	Central body
531 11 92-76	A	O-ring 30,3x2,4	531 13 11-76	C	Spacer ring
531 11 92-90	CD	O-ring 61,6x2,4	531 13 11-78	B	Insulator
531 11 93-04	C	Key 4x4x8	531 13 11-79	B	Casing tube
531 11 93-19	C	Shaft seal SCN 18x30x6	531 13 11-81	E	Start wire
531 11 93-38	B	Plug VSTI M12x1,5	531 13 11-82	A	Lever
531 11 93-68	E	Wiper 6x13x3/4,5	531 13 11-83	A	Positioning shaft
531 11 93-69	E	Bushing	531 13 11-84	A	Spacer
531 11 93-70	F	O-ring 39,2x1,6	531 14 10-86	B	Plug PLC
531 11 93-71	F	Shaft seal 25x33x6	720 12 33-50	A	Cylindrical pin 3x10
531 11 93-88	E	Screw MLC6S 4x8	720 13 08-50	CD	Cylindrical pin 5x16
531 11 93-89	F	Screw MLC6S 5x10	721 41 65-00	DE	Spring pin 2x10
531 13 10-06	A	Bearing support	721 41 67-00	D	Spring pin 2x14
531 13 10-07	A	Driving wheel	723 13 11-01	F	Screw MCS 4x80
531 13 10-08	A	Running wheel	723 13 62-01	F	Screw MCS 6x8
531 13 10-09	A	Valve housing	725 53 70-01	BEF	Screw MC6S 6x20
531 13 10-10	A	Seat	725 53 74-01	B	Screw MC6S 6x30
531 13 10-11	A	Plunge	725 53 78-01	B	Screw MC6S 6x40
531 13 10-12	D	End cover	725 54 69-51	D	Screw MC6S 8x90 12.9
531 13 10-14	C	Bearing housing	728 62 87-05	E	Stop screw T6SS M4x8
531 13 10-21	C	Catch holder	728 64 51-05	DE	Stop screw T6SS 8x20
531 13 10-22	C	Pin	728 82 93-05	A	Stop screw SK6SS 4x16
531 13 10-23	C	Push button	728 83 21-05	DE	Stop screw SK6SS 5x6
531 13 10-25	C	Shaft coupling	731 23 20-01	E	Nut M6M M10
531 13 10-26	C	Drive shaft	732 25 12-01	F	Nut M6M M4
531 13 10-27	F	Blade flange, outer	734 11 35-71	F	Washer 4.3x8
531 13 10-28	F	Blade flange, inner	734 11 52-01	EF	Washer 6.4x12
531 13 10-29	F	Screw	734 11 63-01	D	Washer 8.4x16
531 13 10-30	C	Spacer	735 31 16-10	C	Seeger circlip SGH 14
531 13 10-31	F	Bearing washer	735 31 33-10	C	Seeger circlip SGH 35
531 13 10-32	F	Guide ring	738 21 05-04	C	Bearing 6005-2RS1
531 13 10-33	F	Locking ring	738 22 02-24	C	Bearing 6202-2RS1 C2
531 13 10-34	F	Fastening flange	740 42 03-00	B	O-ring 5,1x1,6
531 13 10-35	E	Control housing	740 42 06-00	ACD	O-ring 8,1x1,6
531 13 10-39	D	Handle left	740 42 08-00	B	O-ring 10,1x1,6
531 13 10-43	DE	Vibration isolator	740 42 09-00	B	O-ring 11.1x1.6
531 13 10-44	D	Kickback guard	740 42 11-00	B	O-ring 13,1x1,6
531 13 10-49	D	Catch	740 42 14-00	B	O-ring 16,1x1,6
531 13 10-50	DE	Stud screw	740 43 03-00	B	O-ring 5,3x2,4
531 13 10-51	A	Plug	740 43 05-00	ABC	O-ring 7,3x2,4
531 13 10-52	A	Sleeve	740 43 13-00	A	O-ring 15,3x2,4
531 13 10-53	A	Support flange	740 43 15-00	AC	O-ring 17,3x2,4
531 13 10-54	A	Slide	740 51 49-01	C	Shaft seal BA 22x35x7 RF
531 13 10-55	A	Spacing sleeve			

A

ConstructionParts.com

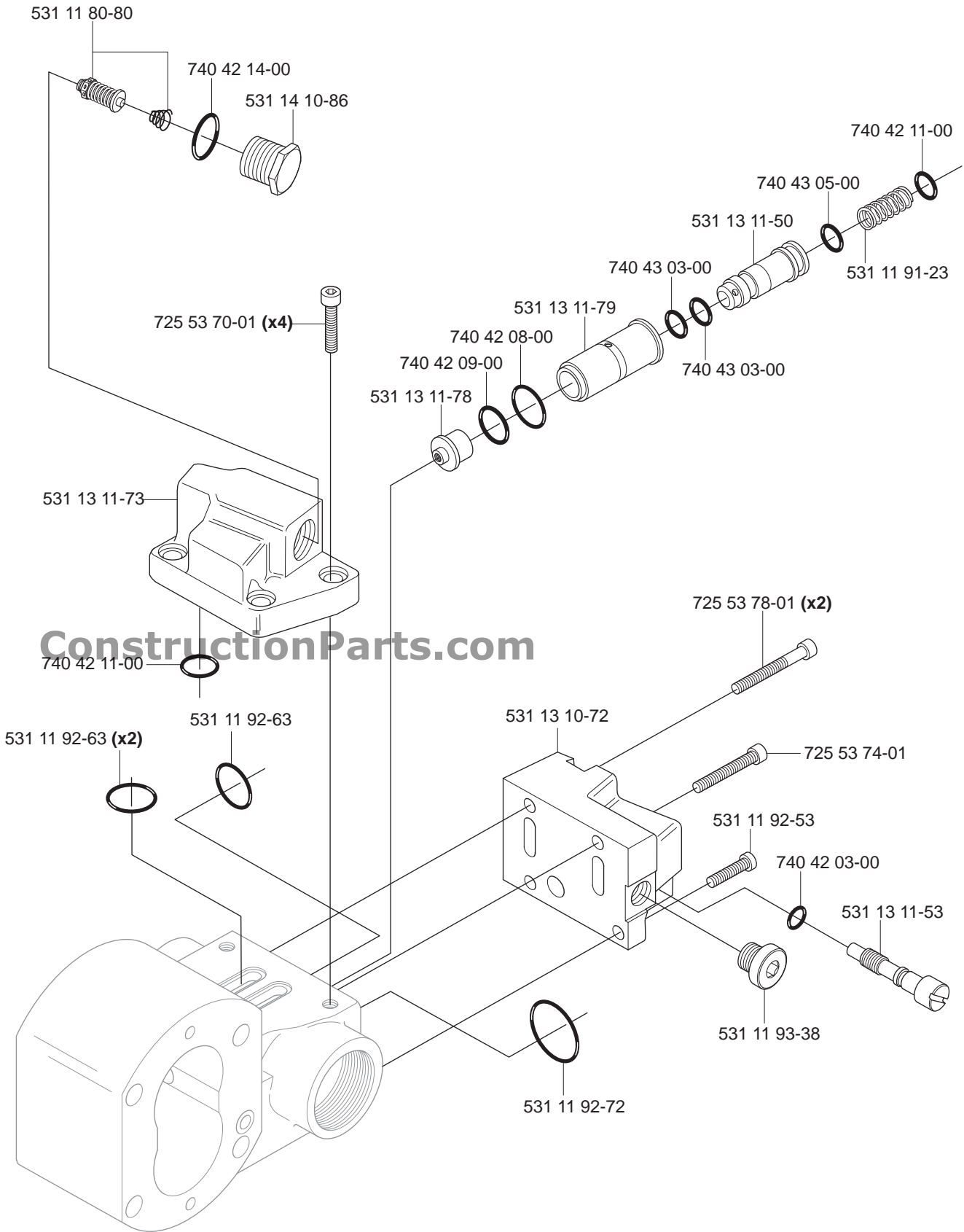
888-634-4289



B

ConstructionParts.com

888-634-4289



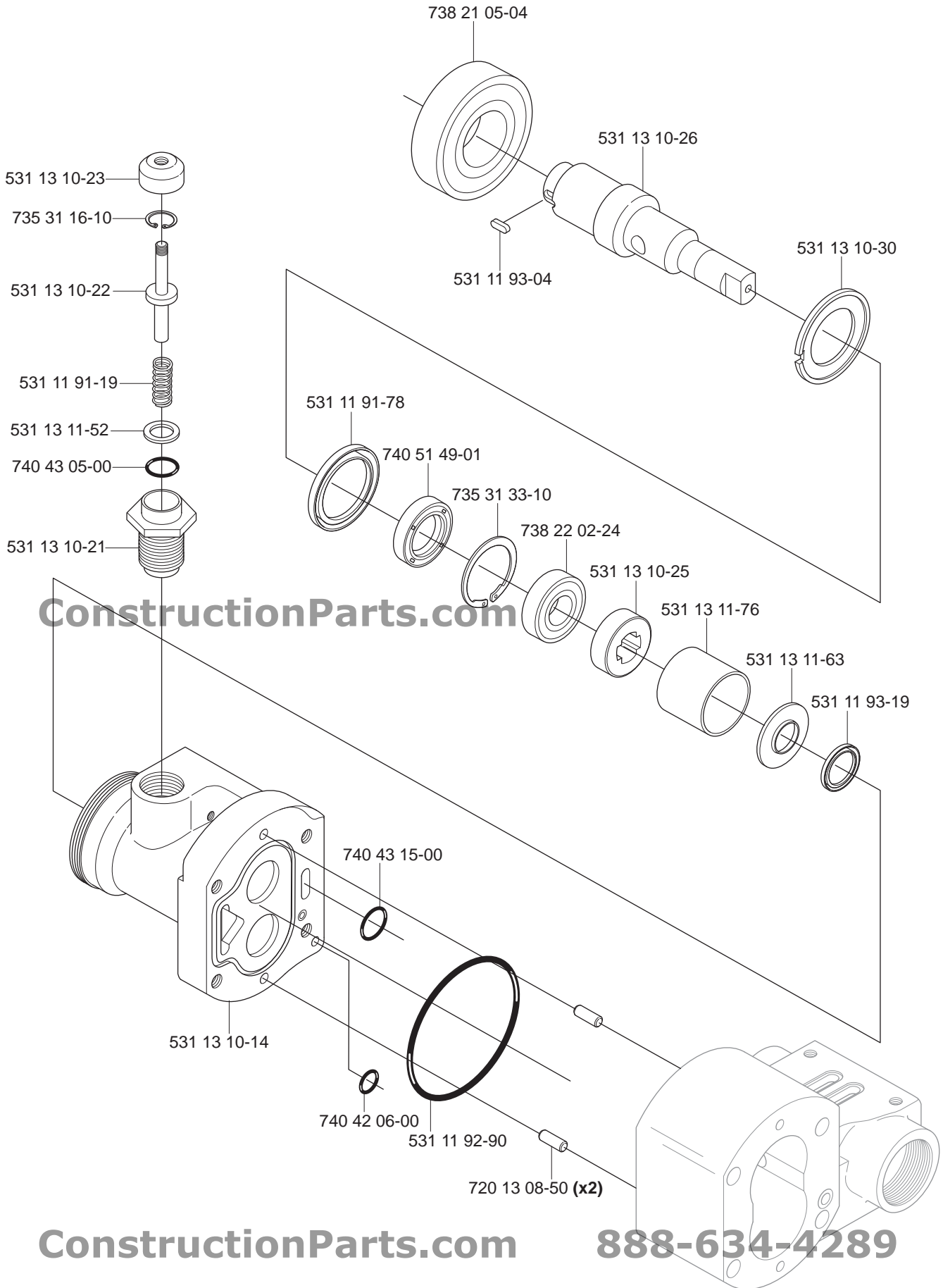
ConstructionParts.com

888-634-4289

C

ConstructionParts.com

888-634-4289



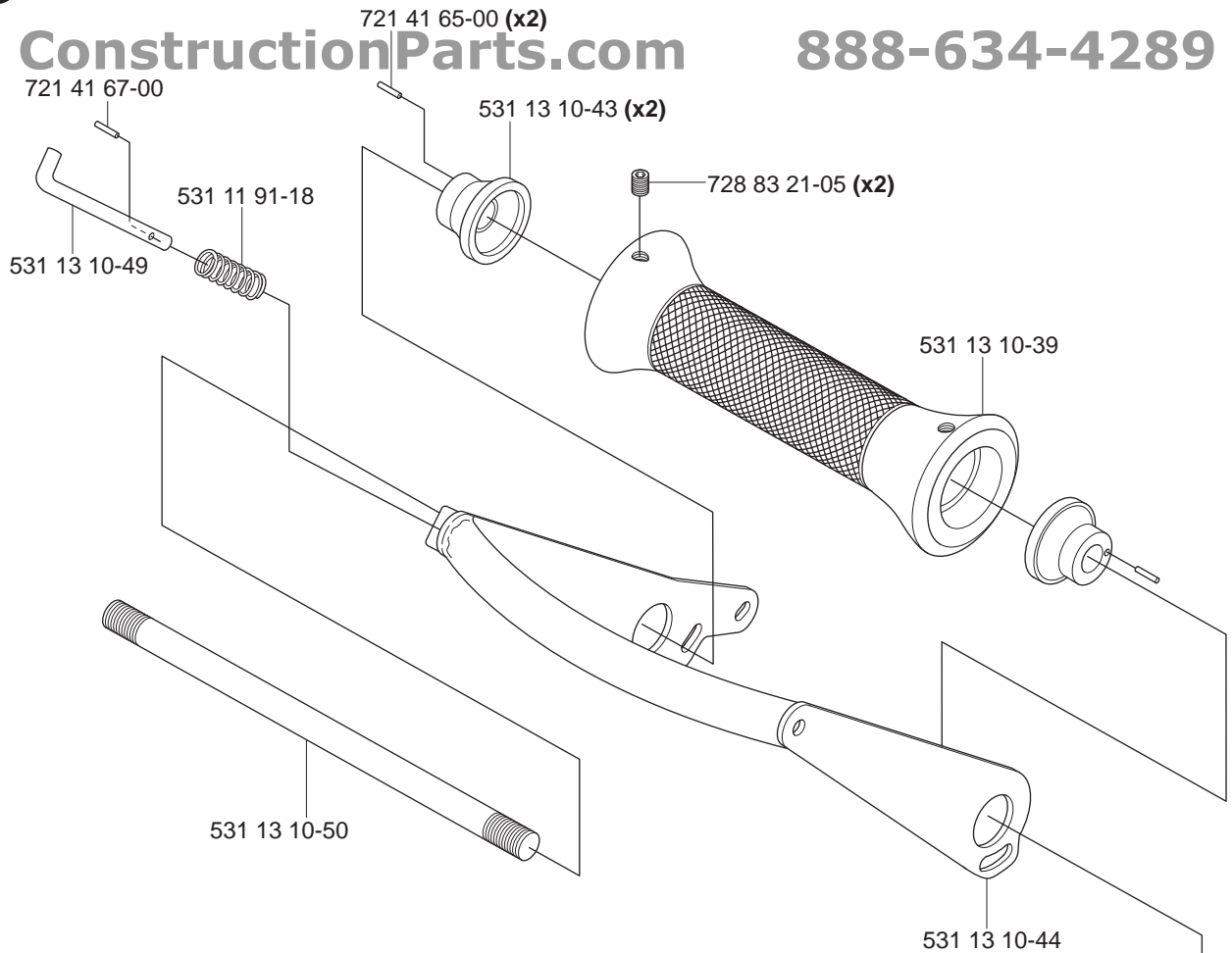
ConstructionParts.com

888-634-4289

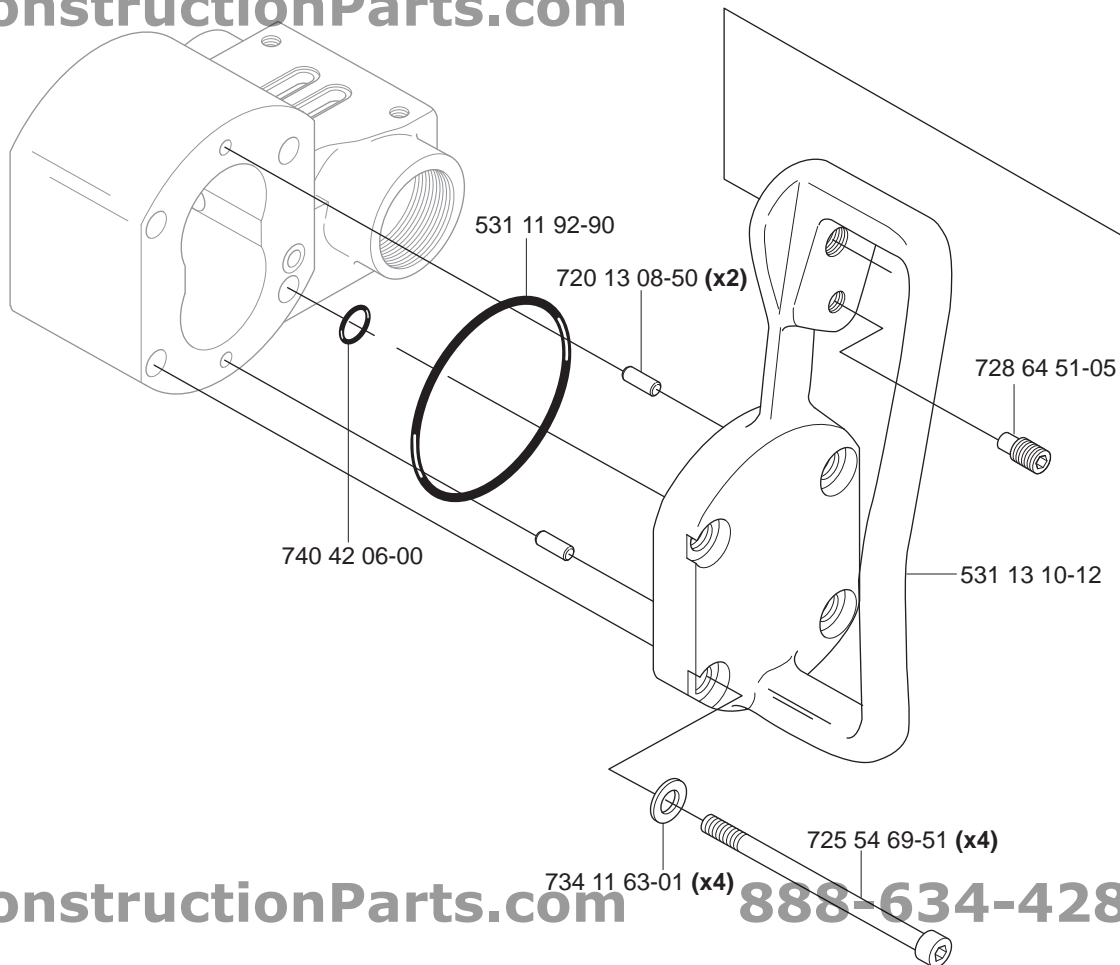
D

ConstructionParts.com

888-634-4289



ConstructionParts.com



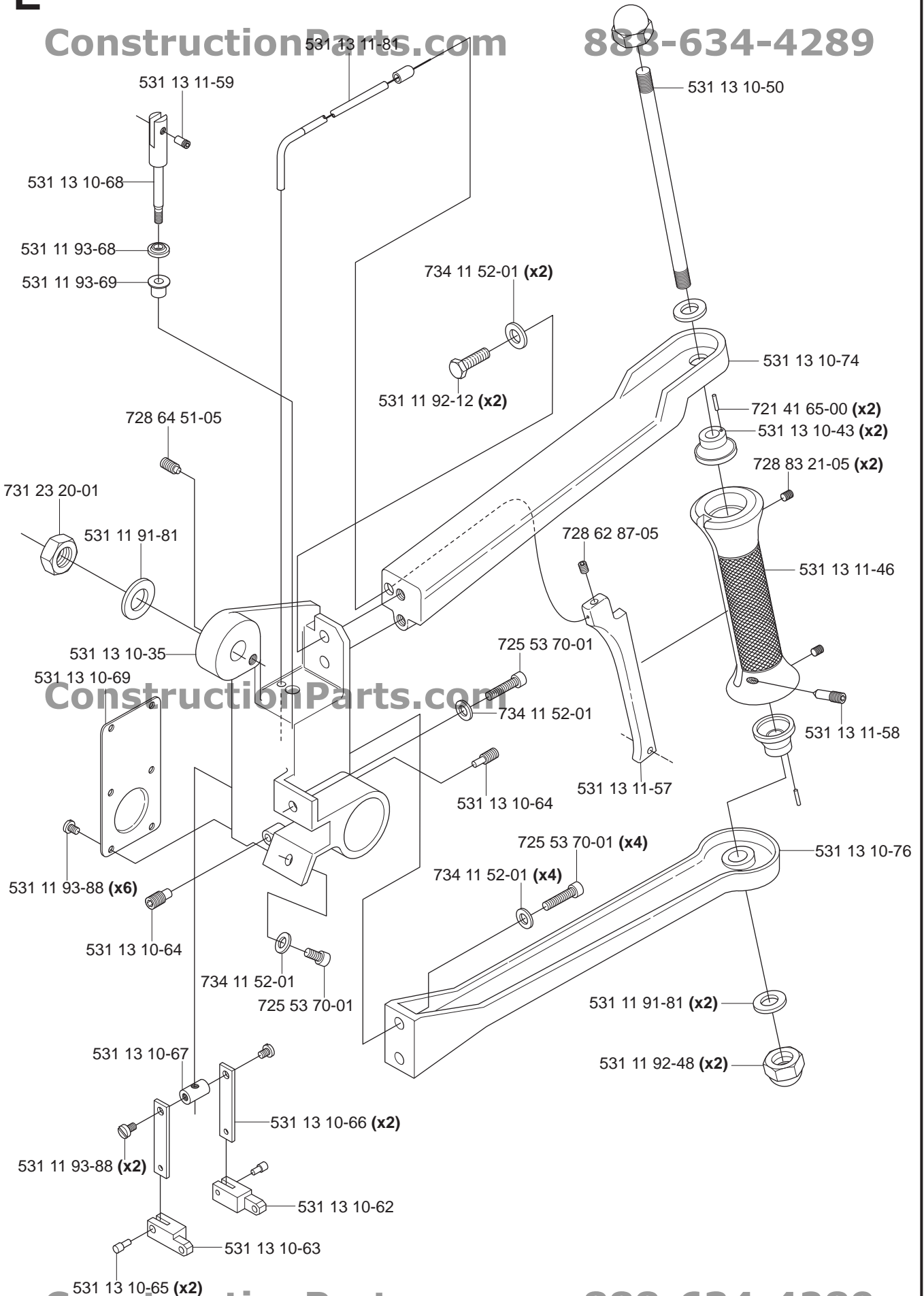
ConstructionParts.com

888-634-4289

E

ConstructionParts.com

888-634-4289



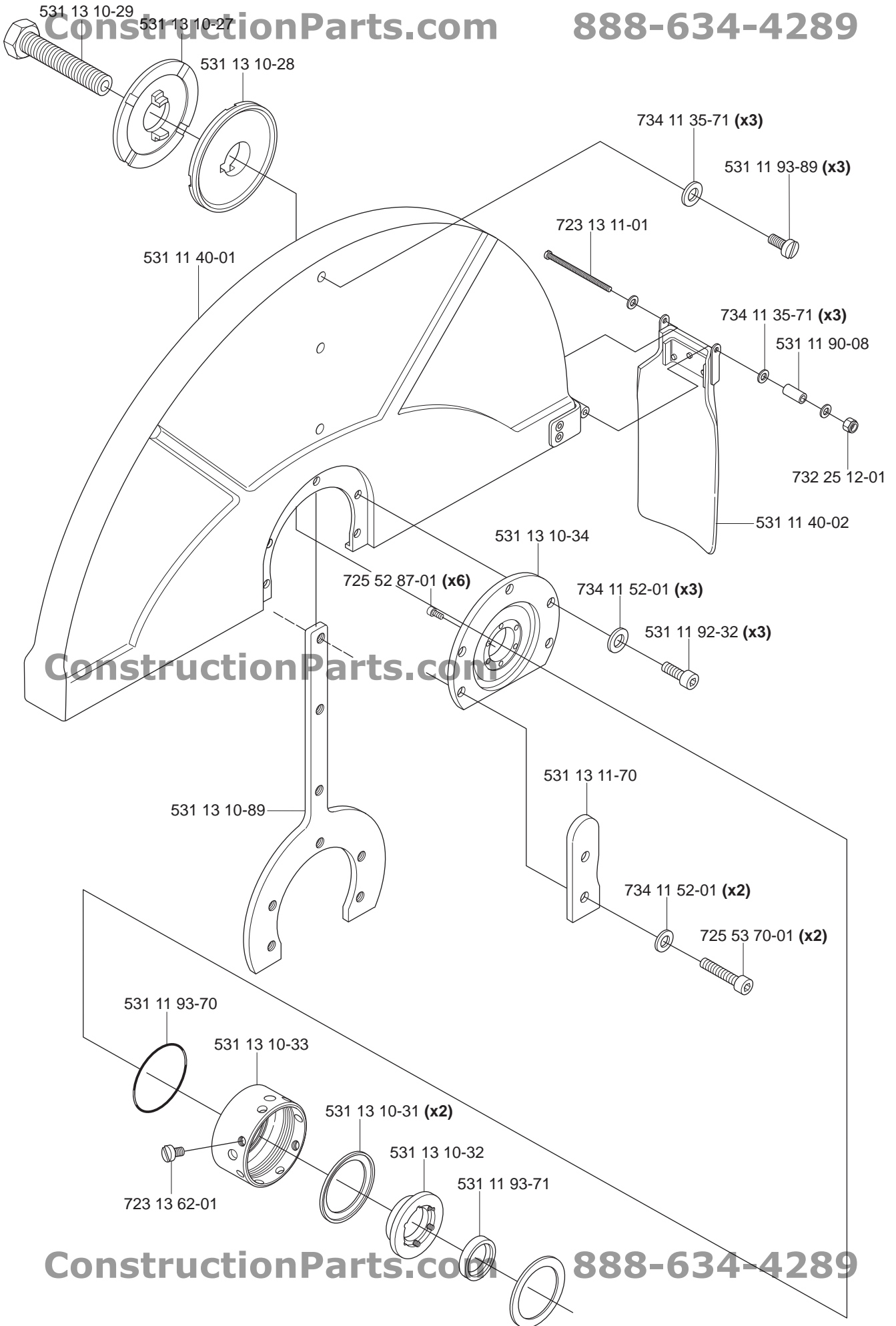
ConstructionParts.com

888-634-4289

F

ConstructionParts.com

888-634-4289



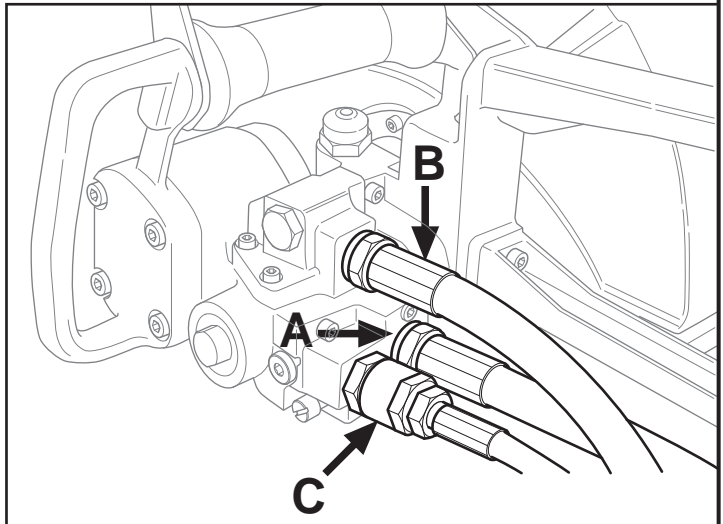
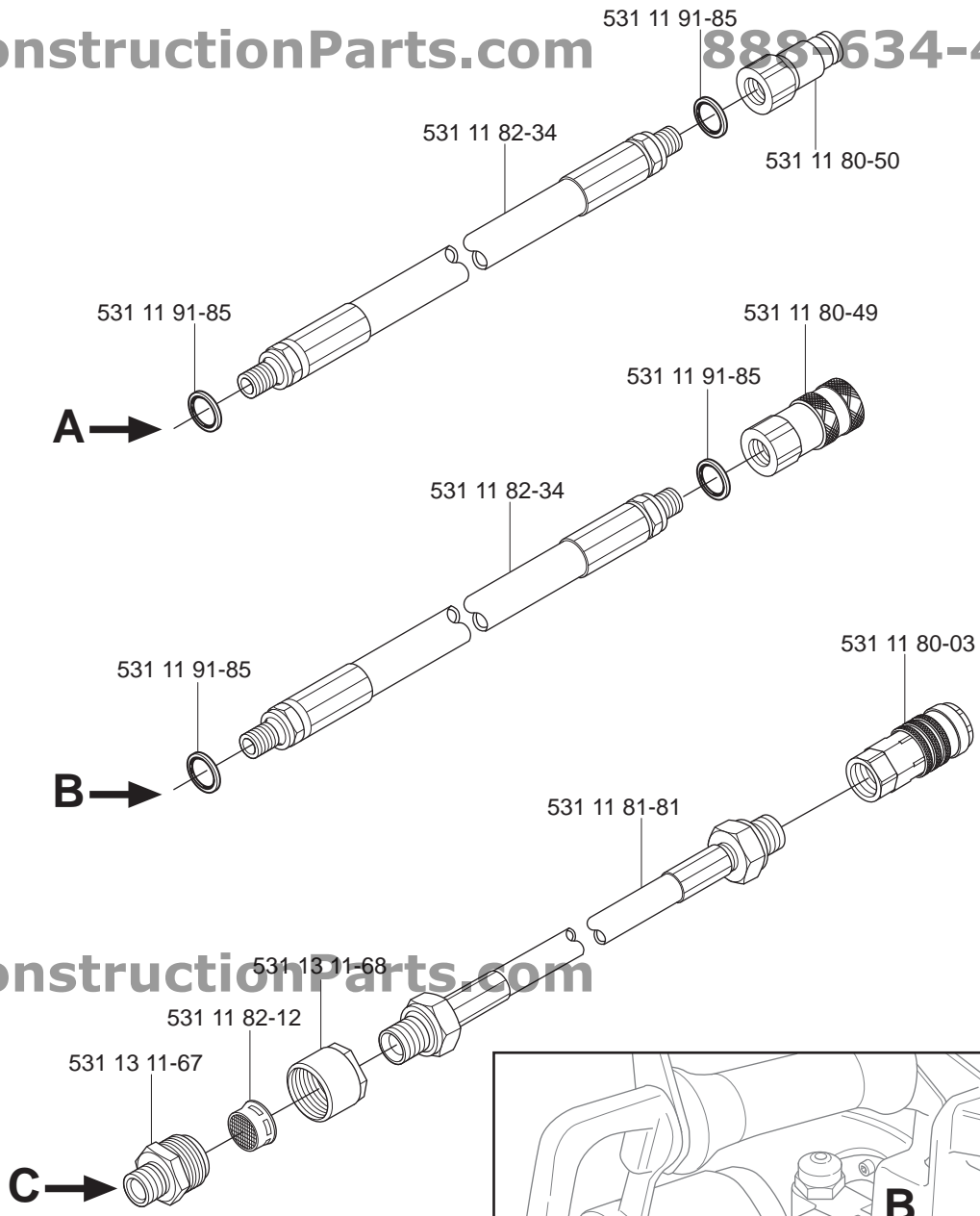
ConstructionParts.com

888-634-4289

G

ConstructionParts.com

888-634-4289



H

ConstructionParts.com

888-634-4289

531 11 90-34

