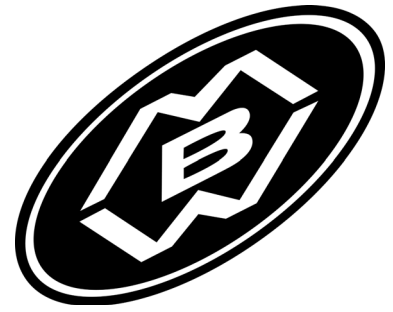


OPERATOR'S SAFETY AND SERVICE MANUAL



F24/4 F30/4

This manual covers the following serial numbers and higher for each model listed:

F24/4 1740249-1741218
F30/4 1460000



WALK BEHIND TROWELS

MBW, Inc.
250 Hartford Rd • PO Box 440
Slinger, WI 53086-0440
Phone: (262) 644-5234
Fax: (262) 644-5169
Email: mbw@mbw.com
Website: www.mbw.com

MBW (UK) Ltd.
Units 2 & 3 Cochrane Street
Bolton BL3 6BN, England
Phone: 01204 387784
Fax: 01204 387797
Email: saleseurope@mbw.com
Website: www.mbweurope.com

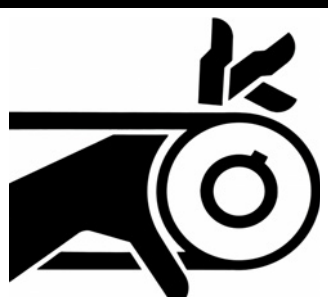
L 18432/ 01.28.D
©MBW, Inc. 2021
Printed in the USA

! WARNING

**Start engine at idle only!
NEVER place foot on guard ring.**

16267

! WARNING



**ROTATING PARTS
can crush and cut.
Keep hands away!**

12573

12573

THROTTLE

↑ RUN
↓ IDLE

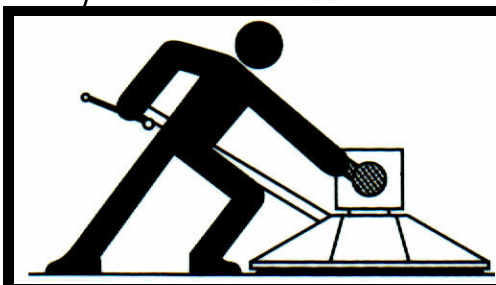
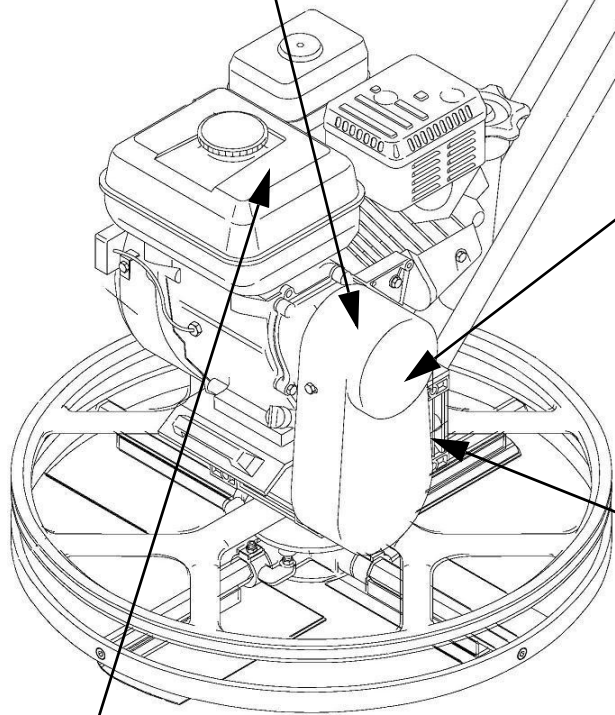
14770

14770



01064

01064 (Two Places)










! WARNING

**Correct
starting
position!**

12267

! CAUTION

-  Read Operating Instructions before operating this piece of equipment.
-  Keep unauthorized and untrained people away from this equipment.
-  **ROTATING & MOVING PARTS!** Make sure all guards and safety devices are in place.
-  Wear OSHA approved hearing protection, foot protection, eye protection and head protection.
-  Avoid breathing dust from operating machine, wear OSHA specified dust mask/respirator.
-  **SHUT OFF** the motor before servicing or cleaning.
-  **DO NOT RUN** in an enclosed area. The engine produces carbon monoxide, a **POISONOUS GAS**.

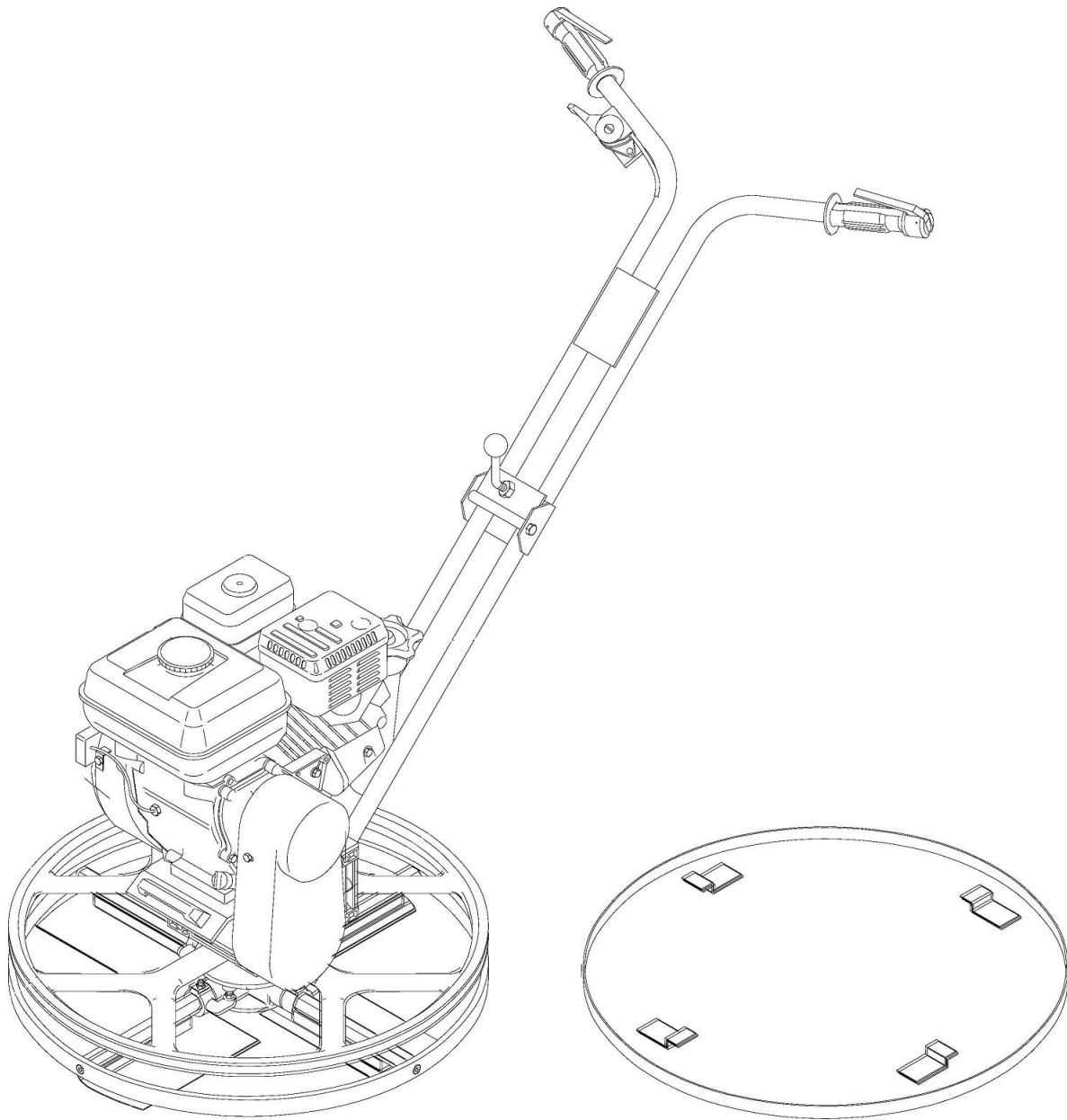
Failure to comply could result in serious bodily injury. 13483

13483

Safety Decals (Decal Set 16268)

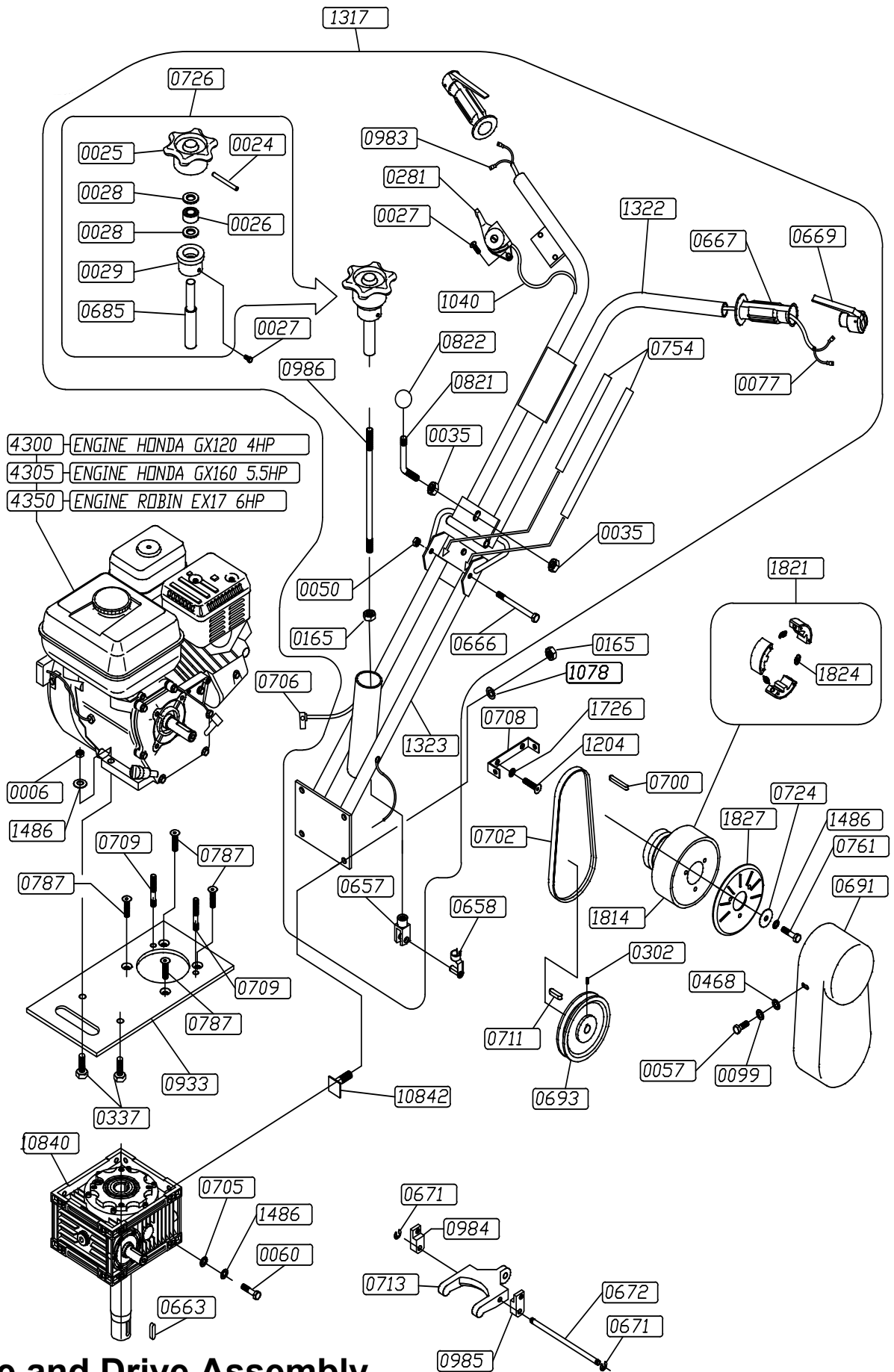
12267

SPECIFICATIONS

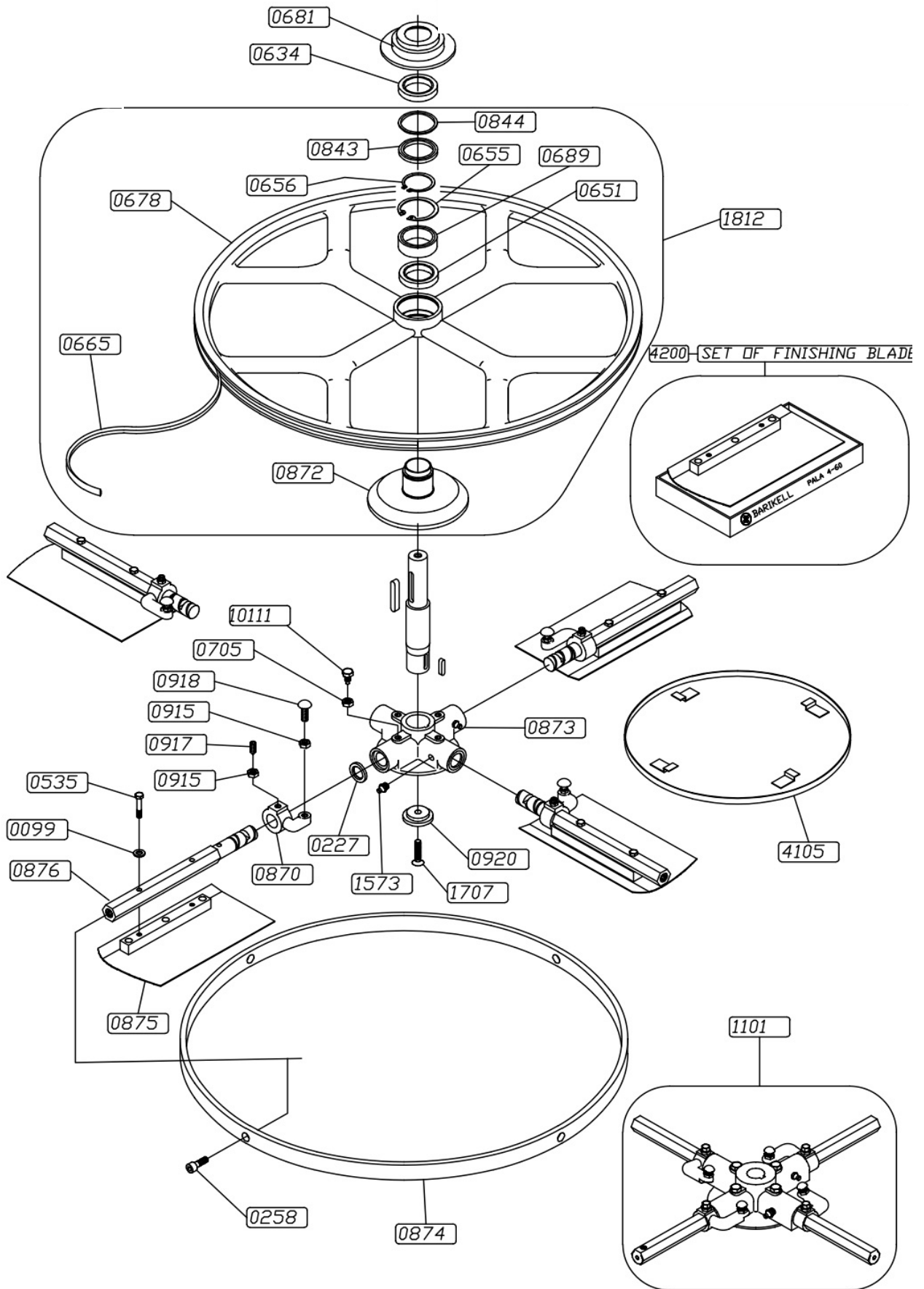


	F24/4	F30/4
Ring Size	24" (61cm)	30" (76 cm)
Engine	Honda GX120 4hp (3kw)	Honda GX160 5.5hp (4kw)
Engine Speed	3400 rpm	3600 rpm
Trowel Speed	50-135 rpm	70-125 rpm
Weight	125 lbs (57kg)	
Noise Level	85-105 dBA	89-103 dBA

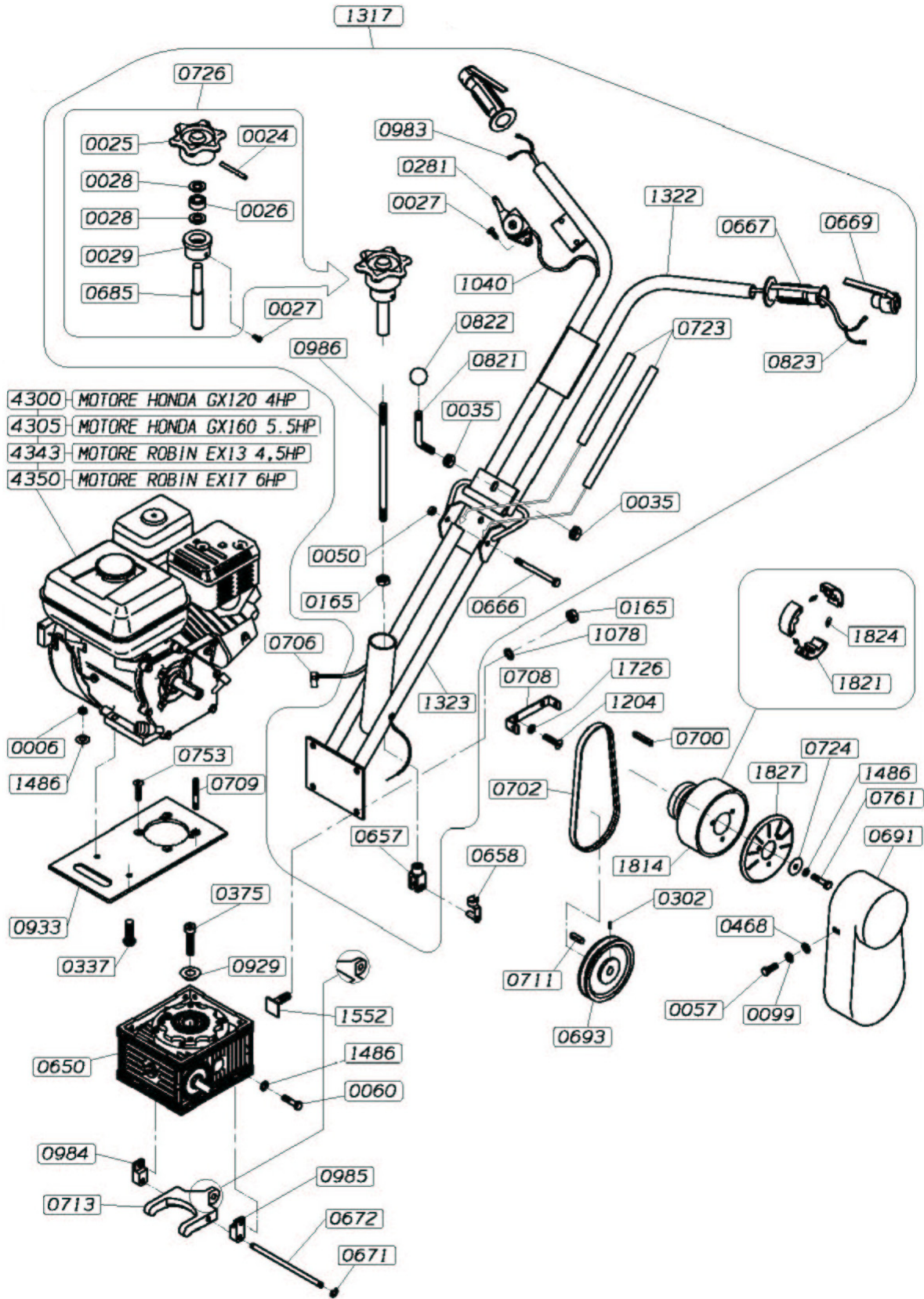
Specifications subject to change without notice



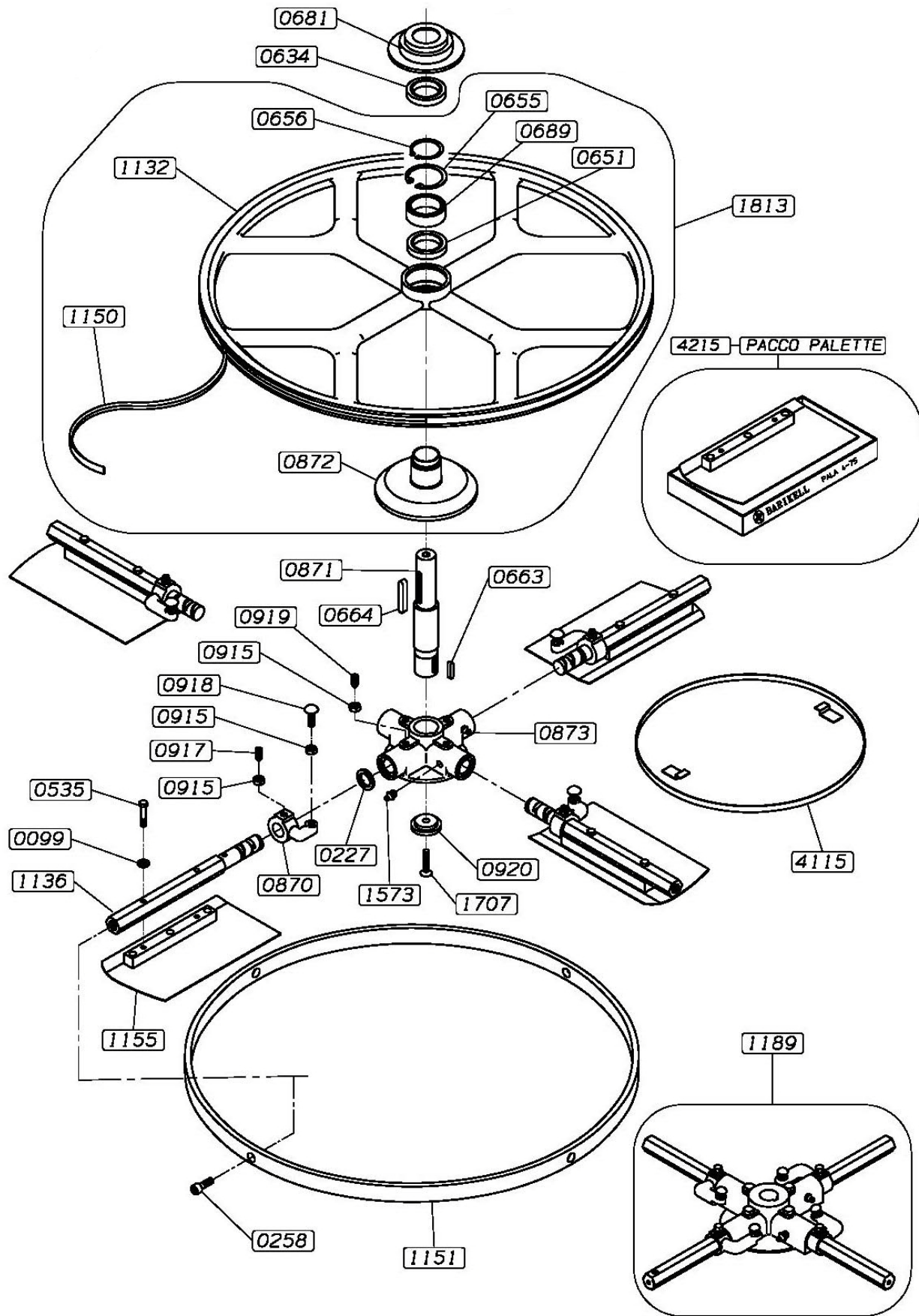
Handle and Drive Assembly



Spider Assembly (F24)



Handle and Drive Assembly (F30)



Spider Assembly (F30)