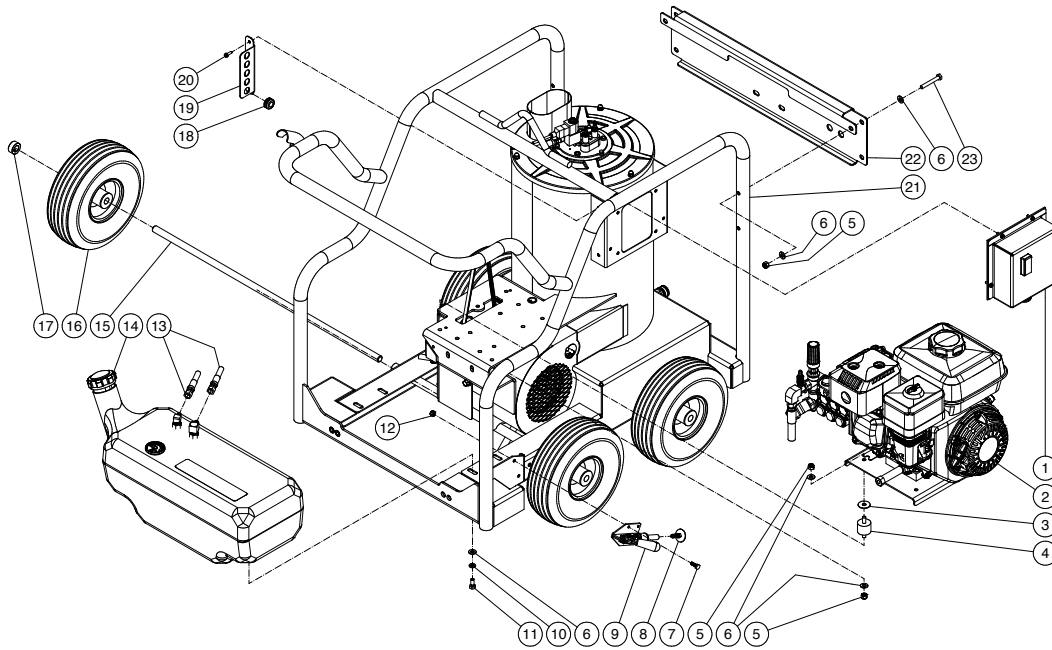




HOT WATER PRESSURE WASHER

HW2765HAD

FRAME ASSEMBLY



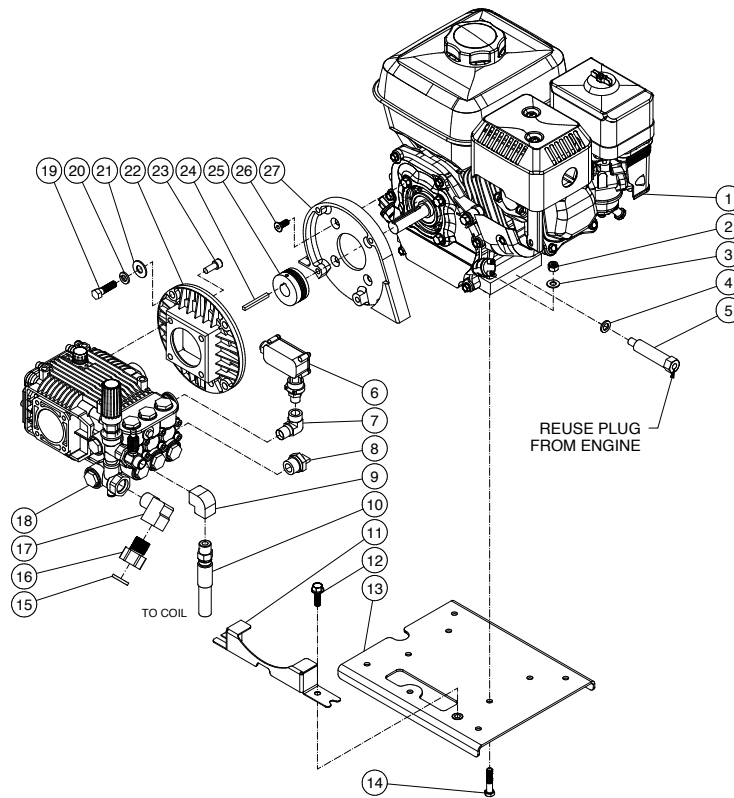
ITEM	DESCRIPTION	PART #	QTY
1	Small Electric Box Assembly	N/A	1
2	Isolation Plate/Pump Plumbing Assembly	N/A	1
3	Washer	280057	3
4	Isolator	140097	5
5	Locknut	300157	14
6	Washer	280003	22
7	Bolt	270015	2
8	Bolt	279550	1
9	Push/Pull Toggle Clamp	330400	1
10	Lockwasher	290007	4
11	Bolt	270066	4
12	Locknut	300155	2
13	Fuel Hose	150147	2
14	Fuel Tank Assembly	N/A	1
15	Axle	200524	2
16	Wheel	140130	4
17	Collar	330351	4
18	Grommet	330001	5
19	Nozzle Holder	201339A01	1
20	Bolt	279526	2
21	Heat Exchanger/ Emf System Assembly	N/A	1
22	Hose Reel Mounting Bracket	201395A42	1
23	Bolt	270072	4
24	Heat Exchanger/Blower Motor Assembly	N/A	1



HOT WATER PRESSURE WASHER

HW2765HAD

PUMP PLUMBING

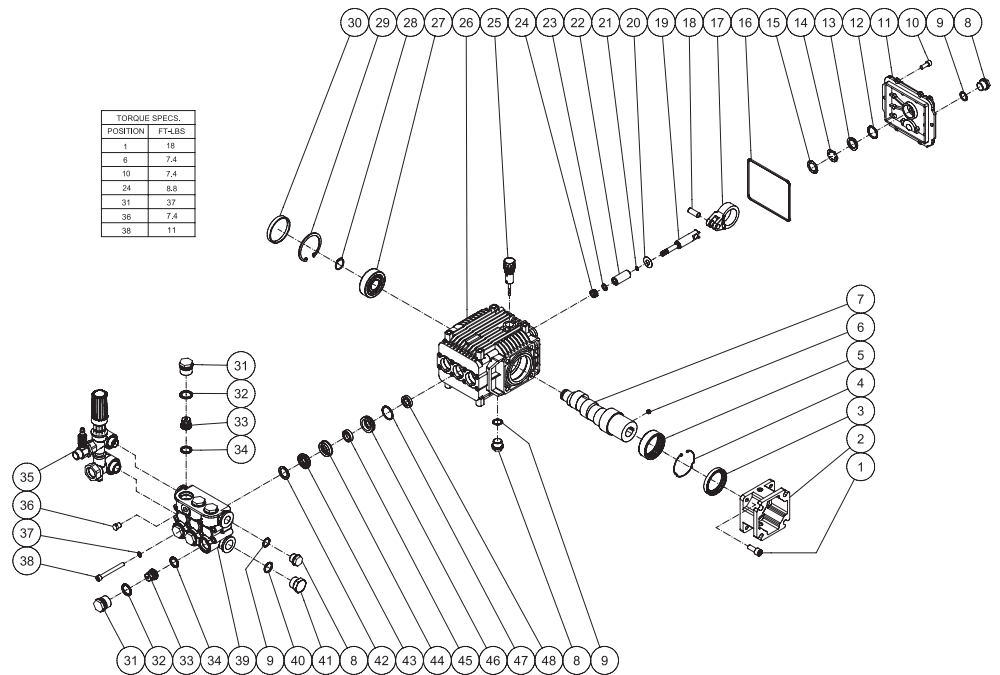


ITEM	DESCRIPTION	PART #	QTY	14			
				14	Bolt	270069	4
1	Engine - Honda GX200	10204	1	15	Garden Hose Gasket	260001	1
2	Locknut	300157	4	16	Swivel	230095	1
3	Washer	280003	4	17	Elbow	230035	1
4	Washer	280604	1	18	Pump	30146	1
5	Oil Drain	240343	1	19	Bolt	270118	4
6	Pressure Switch	220243	1	20	Lockwasher	290008	4
7	Elbow	240004	1	21	Washer	280023	4
8	Relief Valve	220005	1	22	Adapter Flange	380054	1
9	Elbow	230307	1	23	Screw	278432	4
10	High Pressure Hose	150090	1	24	Key	430073	1
11	Beltguard	201352A01	1	25	Sheave	100076	1
12	Bolt	271201	1	26	Bolt	270418	4
13	Isolation Plate	201324A01	1	27	Engine Emf Flange	380071	1



HOT WATER PRESSURE WASHER HW2765HAD

PUMP ASSEMBLY



ITEM	DESCRIPTION	PART #	QTY	25	Oil Dipstick	39-0090	1
1	Screw	278432	4	26	Crankcase	46-0724	1
2	Flange	460715	1	27	Ball Bearing	48-0063	1
3	Oil Seal	260192	1	28	Snap Ring	46-0732	1
4	Retaining Ring	460667	1	29	Snap Ring	46-0676	1
5	Needle Bearing	480059	1	30	Bearing Cap	46-0725	1
6	Set Screw	278886	1	31	Valve Cap	39-0087	6
7	Crankshaft	460718	1	32	O-Ring	25-0160	6
8	Plug	390086	3	33	Single Valve Assembly (see kit 70-0161)	46-0731	6
9	O-Ring	250325	3	34	O-Ring (see kit 70-0161)	25-0386	6
10	Bolt	278888	6	35	Unloader	8-0515	1
11	Crankshaft Cover	460719	1	36	Plug	39-0097	1
12	O-Ring	250370	1	37	Lockwasher	29-0153	8
13	Oil Sight Glass	460670	1	38	Bolt	27-8875	8
14	Oil Reflector	460824	1	39	Manifold	46-0730	1
15	Spring Retainer	460671	1	40	O-Ring	25-0372	1
16	O-Ring	250398	1	41	Plug	39-0088	1
17	Connecting Rod	460720	3	42	Support Ring (see kit 70-0182)	SEE KIT	3
18	Piston Pin	460721	3	43	V Packing (see kit 70-0181)	46-0729	3
19	Plunger Rod	460722	3	44	Packing Retainer	46-0728	3
20	Slinger Washer	281027	3	45	LP Seal (see kit 70-0181)	46-0727	3
21	O-Ring	250371	3	46	LP Retainer	46-0726	3
22	Ceramic Piston	460723	3	47	O-Ring (see kit 70-0181)	25-0399	3
23	Washer	260187	3	48	Oil Seal	26-0193	3
24	Nut	306016	3				

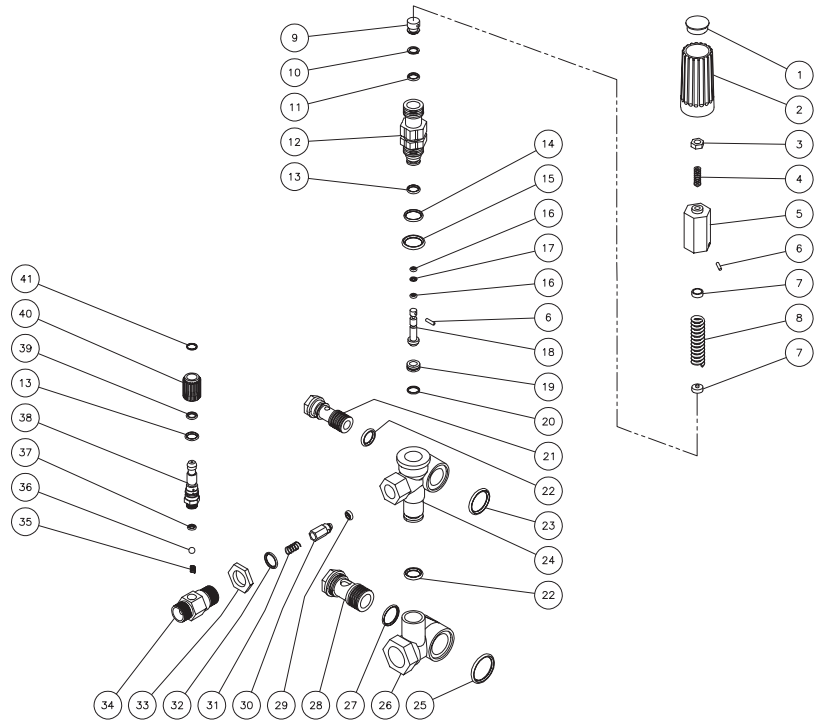


HOT WATER PRESSURE WASHER

HW2765HAD

UNLOADER ASSEMBLY

ITEM	DESCRIPTION	PART #	QTY
1	Knob Plug	70178	1
2	Unloader Knob	70179	1
3	Nut	306024	1
4	Set Screws (see 70-0292)	N/A Sep.	1
5	Knob Insert	80500	1
6	Pin	80477	2
7	Spring Button	80501	2
8	Spring	490119	1
9	Upper Piston (see 70-0292)	N/A Sep.	1
10	Back-up Ring	250404	1
11	O-Ring (see 70-0292 / 70-0366)	N/A Sep.	1
12	Piston Guide	80502	1
13	O-Ring	250403	2
14	O-Ring	250510	1
15	O-Ring	250386	1
16	O-Ring (see 70-0292 / 70-0366)	N/A Sep.	2
17	Back-up Ring	250408	1
18	Piston	80413	1
19	Valve Seat	80503	1
20	O-Ring (see 70-0292 / 70-0366)	N/A Sep.	1
21	Bolt	80516	1
22	O-Ring	250388	2
23	O-Ring	250370	1
24	Valve Housing	N/A	1
25	O-Ring	250519	1
26	By-pass Housing	N/A	1
27	O-Ring	250389	1
28	Bolt	80517	1
29	O-Ring	250406	1
30	Check Valve	80518	1
31	Unloader Check Valve Spring	490124	1
32	O-Ring	250407	1
33	Nut (see 70-0338)	N/A Sep.	1



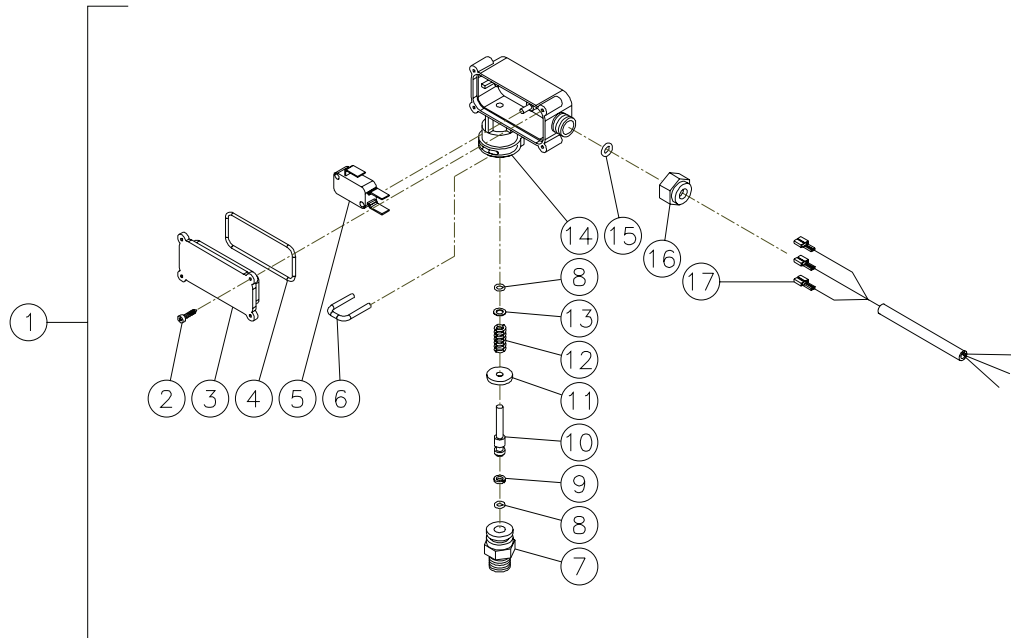
34	Chemical Injector Body (see 70-0338)	N/A Sep.	1
35	Spring	80520	1
36	Ball	80521	1
37	O-Ring	250371	1
38	Chemical Injector Hose Barb	80499	1
39	O-Ring	N/A Sep.	1
40	Detergent Regulator Knob (see 70-0338)	N/A Sep.	1
41	O-Ring (see 70-0338)	N/A Sep.	1
	Unloader Repair Kit (Inc. 1-20)	700292	
	O-ring Repair Kit (Inc. 10-11, 13-17, 20, 22-23, 25, 29, 32, 37)	700336	
	Complete Injector (Inc. 13, 33-41)	700338	
	Injector Repair Kit (Inc. 35-37)	8520158	



HOT WATER PRESSURE WASHER

HW2765HAD

PRESSURE SWITCH

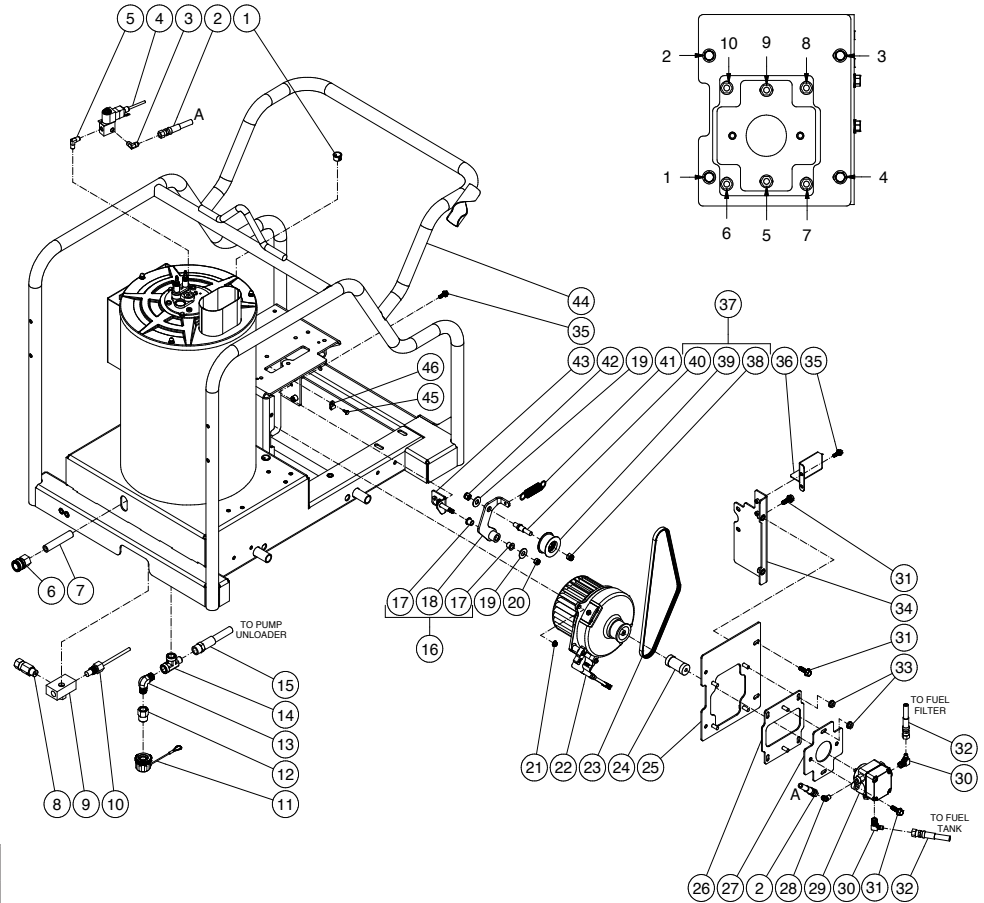


ITEM	DESCRIPTION	PART #	QTY	10			
1	Pressure Switch	220243	1	10	Piston	N/A	1
2	Screw	N/A	4	11	Washer	N/A	1
3	Cover	N/A	1	12	Spring	490145	1
4	O-Ring (See 70-0306)	N/A Sep.	1	13	Washer	N/A	1
5	Micro Switch	N/A	1	14	Plastic Housing	N/A	1
6	Retainer Clip	N/A	1	15	O-Ring (See 70-0306)	N/A Sep.	1
7	Body	N/A	1	16	Nut	N/A	1
8	O-Ring (See 70-0306)	N/A Sep.	2	17	Wire Assembly	N/A	1
9	Back-Up Ring (See 70-0306)	N/A Sep.	1		O-Ring Repair Kit (inc. 4, 8-9, 15)	700306	



HOT WATER PRESSURE WASHER HW2765HAD

HEAT EXCHANGER/ EMF SYSTEM



ITEM	DESCRIPTION	PART #	QTY
1	Cord Bushing	320465	2
2	Fuel Hose	150333	1
3	Elbow	230287	1
4	Fuel Solenoid	440098	1
5	Elbow	230249	1
6	QC Socket	170004	1
7	Pipe Nipple	240165	1
8	Pressure Relief Valve	220272	1
9	Outlet Connector	240138	1
10	HI Limit Switch	320798	1
11	Drain Plug Assembly	8500218	1
12	Adapter	230279	1
13	Elbow	240131	1
14	Street Tee	230058	1
15	High Pressure Hose	150335	1
16	Idler Arm With Bearings	8500421	1

17	Bronze Sleeve Bearing	480101	2
18	Idler Arm	201383A53	1
19	Washer	280023	2
20	Locknut	300157	1
21	Nut	201297A01	2
22	Emf Assembly - Small	8500405	1
23	Belt	110094	1
24	Coupling	330225	1
25	Fuel Pump Mounting Plate	201296A01	1
26	Plate/Fuel Pump	201297A01	1
27	Plate/Fuel Pump	201298A01	1
28	Elbow	230288	1
29	Fuel Pump	30020	1
30	Elbow	230237	2
31	Bolt	271201	8

32	Fuel Hose	150147	6
33	Nut	303023	1
34	Beltguard Side	201295A01	4
35	Bolt	271200	1
36	Spring Cover	201338A01	1
37	Sheave/Shaft Assembly	8500166	1
38	Locknut	300159	1
39	Sheave Assembly	8500177	1
40	Idler Shaft	330212	1
41	Spring	490169	1
42	Locknut	300159	1
43	Idler Mounting Bracket	201382A53	1
44	Boiler Assembly	N/A	1
45	Bolt	273062	1
46	Clamp	320428	1

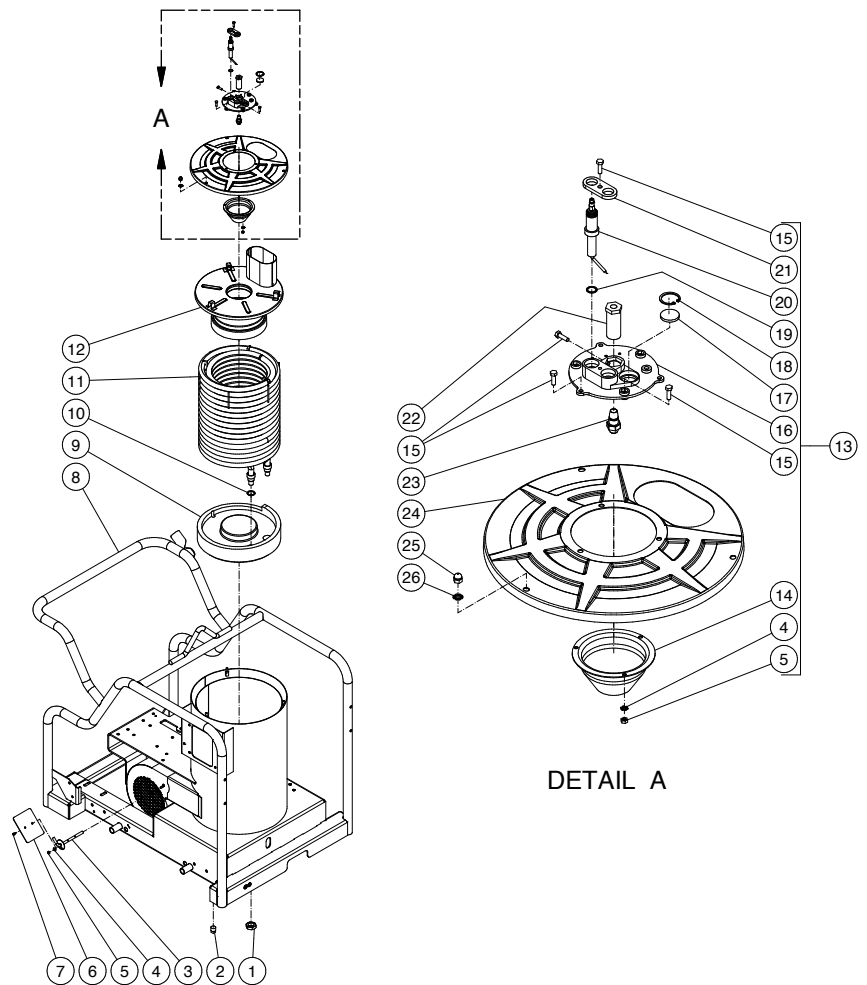


HOT WATER PRESSURE WASHER

HW2765HAD

BOILER ASSEMBLY

ITEM	DESCRIPTION	PART #	QTY
1	Nut	300121	2
2	Plug	240034	1
3	Air Diverter Stem	200377A01	1
4	Star Washer	281009	4
5	Nut	306001	4
6	Air Diverter	200378A01	1
7	Bolt	278879	2
8	Frame	50343A42	1
9	Insulation	330267	1
10	Washer	280521	2
11	Heat Exchanger Coil	660009	1
12	Exhaust Chimney	201264	1
13	Electrode Assembly - no wires (inc 5, 14-21)	8500411	1
-	Electrode Assembly (Inc 5, 20-26)	8500415	1
14	Cone	200373	1
15	Bolt	278878	8
16	Electrode Plate	380065	1
17	Sight Glass	330252	1
18	Snap Ring	330254	1
19	Washer	280523	2
20	Electrode	320987	2
21	Electrode Bracket	201094A01	1
22	Fuel Nozzle Holder	230292	1
23	Fuel Nozzle 2000 PSI	180310	1
-	Fuel Nozzle 1500 PSI	180321	1
-	Fuel Nozzle 1000 PSI	180268	1
24	Top Pan	201263	1
25	Acorn Nut	306002	3
26	Lockwasher	281028	3

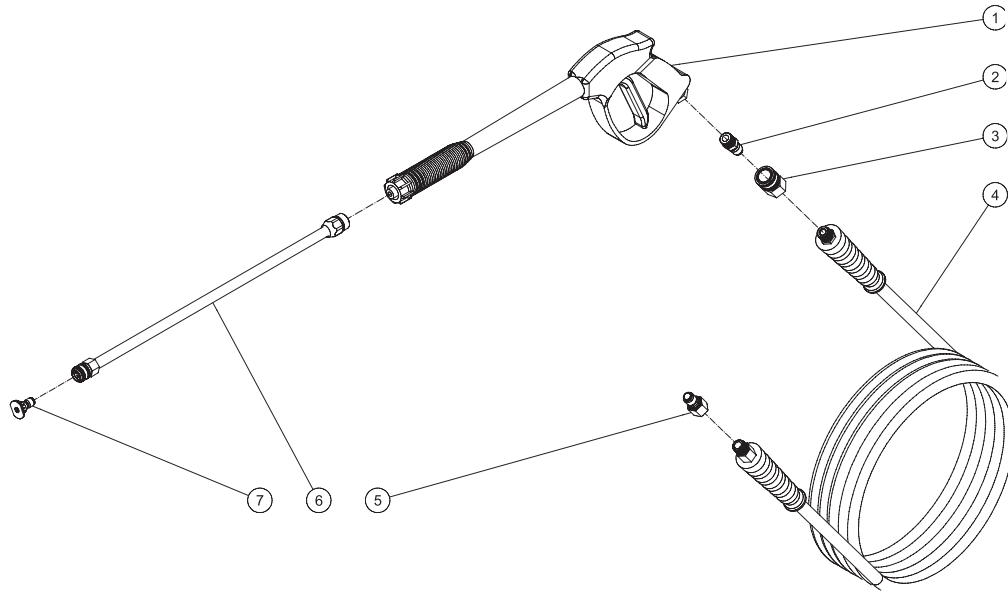




HOT WATER PRESSURE WASHER

HW2765HAD

GUN/WAND ASSEMBLY



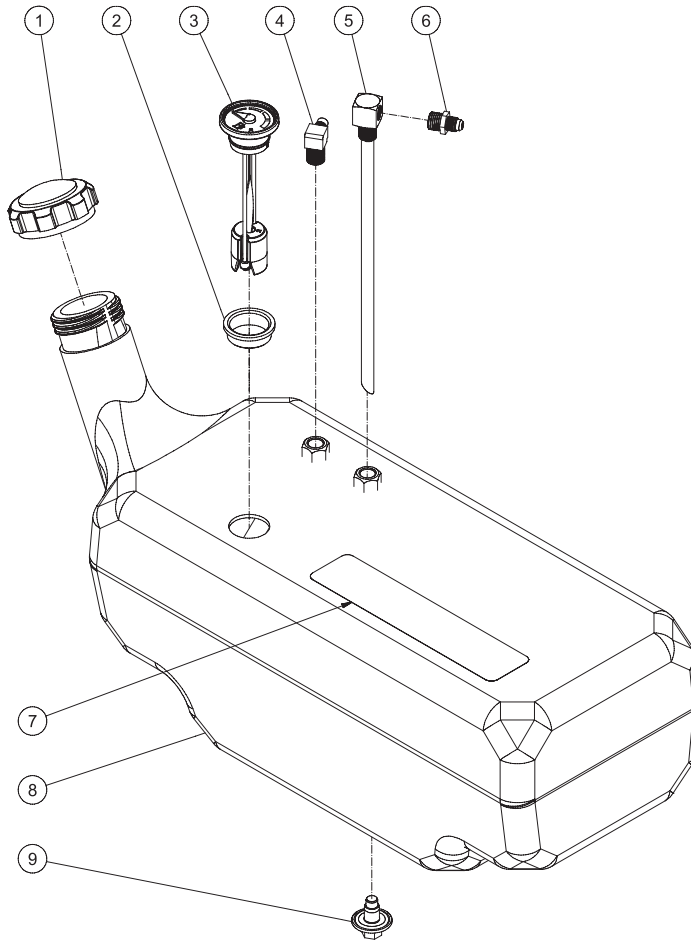
ITEM	DESCRIPTION	PART #	QTY
1	Gun	160445	1
2	Quick Connect	170005	1
3	QC Socket	170004	1
4	Hose	150145	1
5	Quick Connect	170006	1
6	Lance Assembly	160366	1
7	Nozzle 00030 QC (2500)	180387	1
-	Nozzle 15030 QC (2500)	180388	1
-	Nozzle 40030 QC (2500)	180391	1



HOT WATER PRESSURE WASHER

HW2765HAD

FUEL TANK



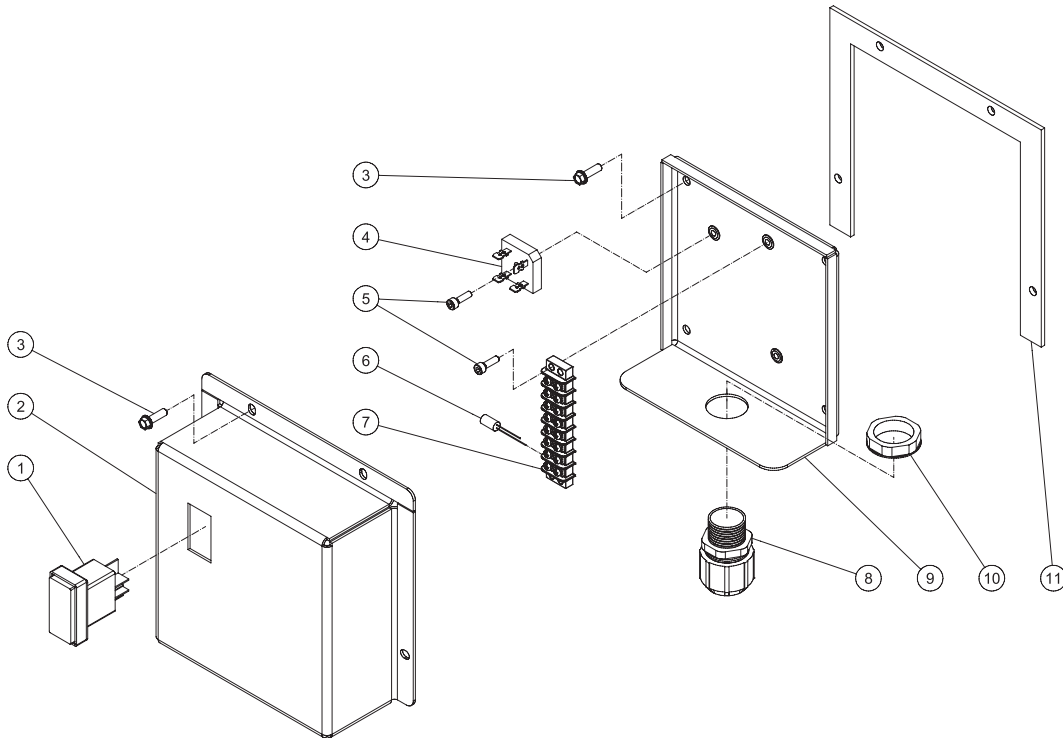
ITEM	DESCRIPTION	PART #	QTY
1	Fuel Cap	120033	1
2	Fuel Gauge Grommet	330255	1
3	Fuel Gauge	220475	1
4	Elbow	230237	1
5	Fuel Pick Up	330296	1
6	Nipple	230247	1
7	Decal-CAUTION: Risk of Fire (see 71-0009)	N/A	1
8	Fuel Tank	120242	1
9	Drain Plug	683204	1



HOT WATER PRESSURE WASHER

HW2765HAD

ELECTRIC BOX ASSEMBLY

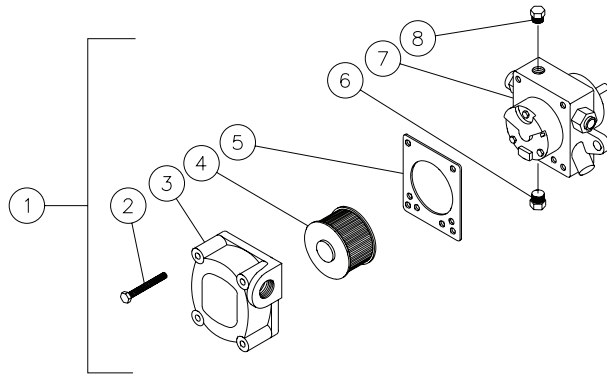


ITEM	DESCRIPTION	PART #	QTY
1	Rocker Switch	320626	1
2	Electric Box Cover	201302A01	1
3	Bolt	279526	8
4	Bridge Rectifier	321114	1
5	Screw	278835	3
6	Capacitor	321113	1
7	Terminal Strip	320436	1
8	Cord Relief	90046	1
9	Electric Box Back	201301A01	1
10	Electrical Locknut	320292	1
11	Gasket	260384	1



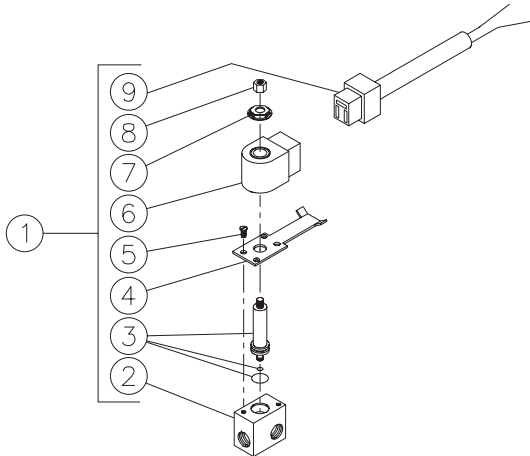
HOT WATER PRESSURE WASHER HW2765HAD

FUEL PUMP



REF. #	DESCRIPTION	PART #	QTY
1	Fuel Pump Complete	30020	1
2	Cover Screw	461006	4
3	Cover	461005	1
4	Strainer	190034	1
5	Cover Gasket	260109	1
6	Plug	240044	2
7	Body	N/A	1
8	Plug	240082	1

FUEL SOLENOID

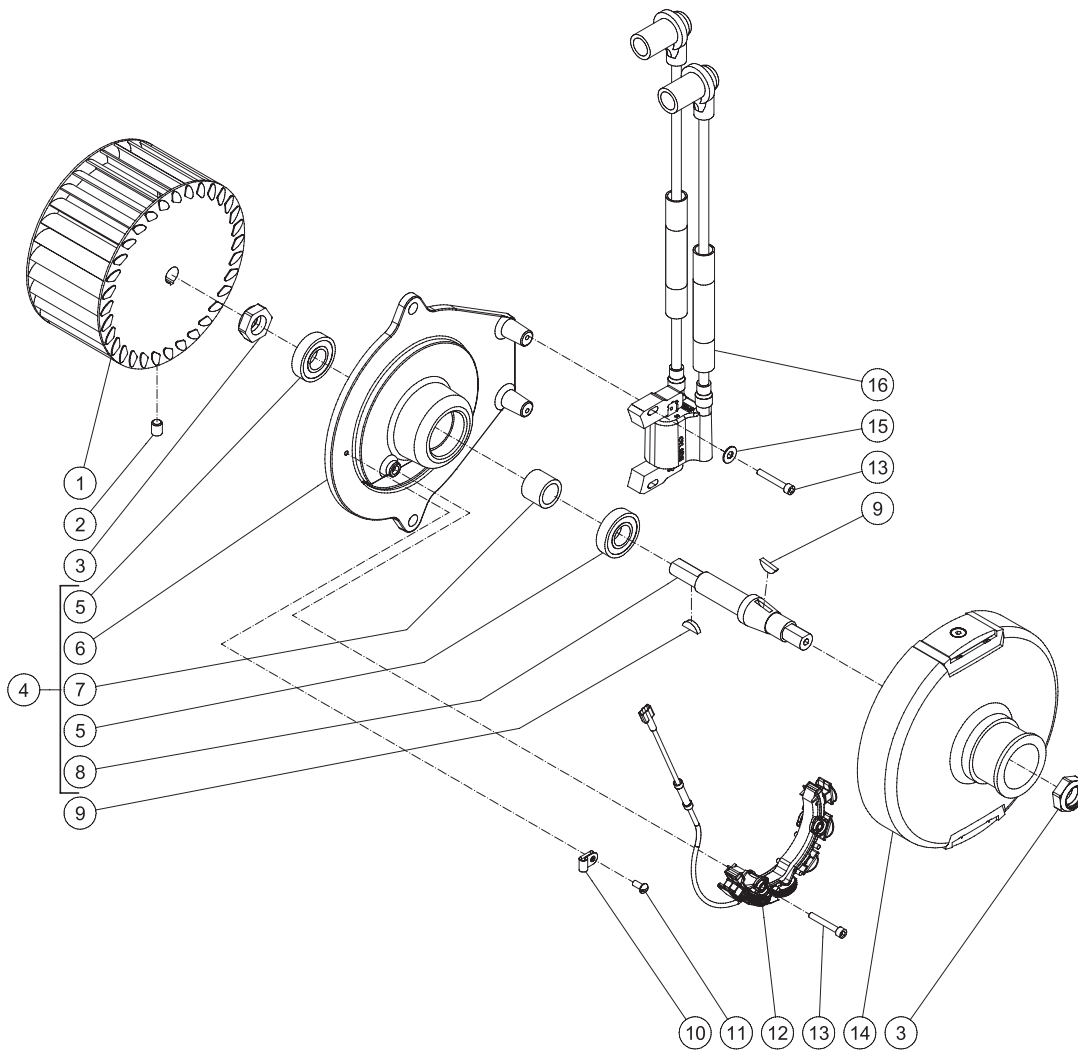


REF. #	DESCRIPTION	PART #	QTY
1	Solenoid Complete-120V	44-0098	1
2	Solenoid Body	46-1013	1
3	Solenoid Pistol	46-1012	1
4	Solenoid Base	46-1014	1
5	Screw (see 44-0101)	N/A Sep.	2
6	Solenoid Coil-120V	46-1015	1
7	Spring (see 44-0101)	N/A Sep.	1
8	Piston Nut	46-1016	1
9	Din Connector Cord	32-0443	1



HOT WATER PRESSURE WASHER HW2765HAD

EMF SYSTEM



ITEM	DESCRIPTION	PART #	QTY	8	Blower Shaft	200347	1
-	EMF Assembly	8500403	1	9	Woodruff Key	430080	2
1	Blower Fan	440099	1	10	Clamp	320403	1
2	Set Screw	303021	1	11	Screw	272070	1
3	Locknut	300177	2	12	Stator Assembly	8500401	1
4	Blower Flange Assembly	8500402	1	13	Bolt	270740	4
5	Sealed Bearing	480041	2	14	Hub	380041	1
6	Blower Flange	380066	1	15	Washer	280001	2
7	Spacer	330206	1	16	Ignition Assembly	8500413	1