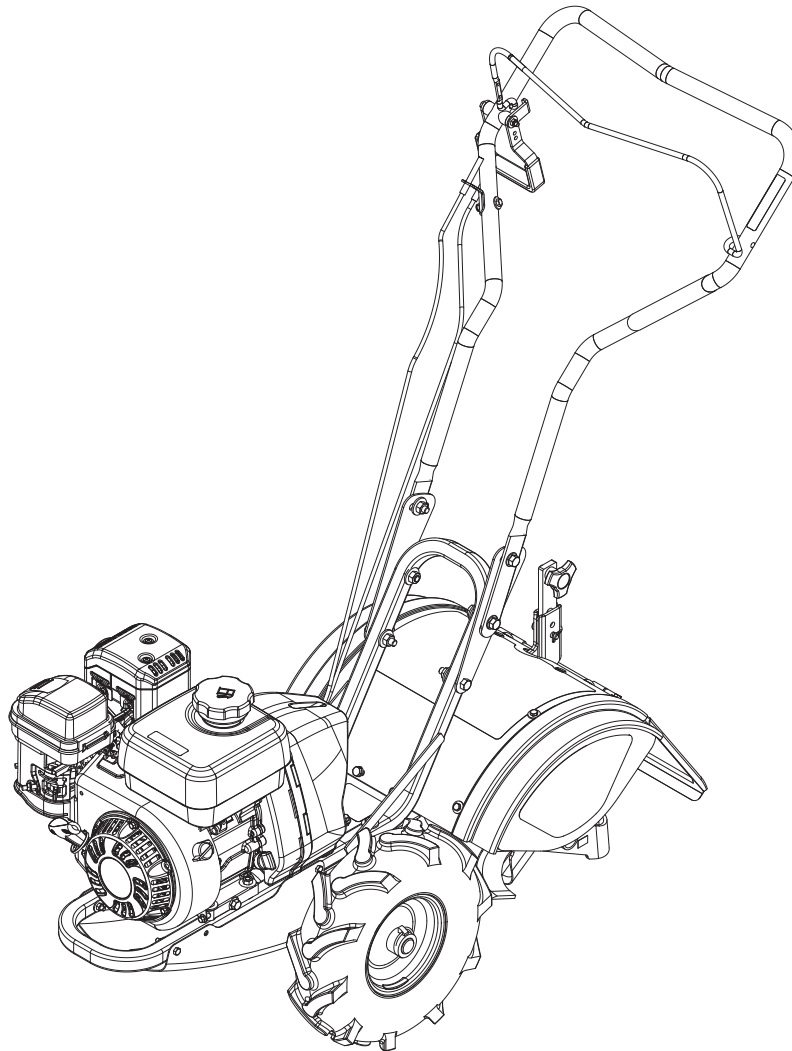


Operator's Manual

**Rototiller
Victory**

SN



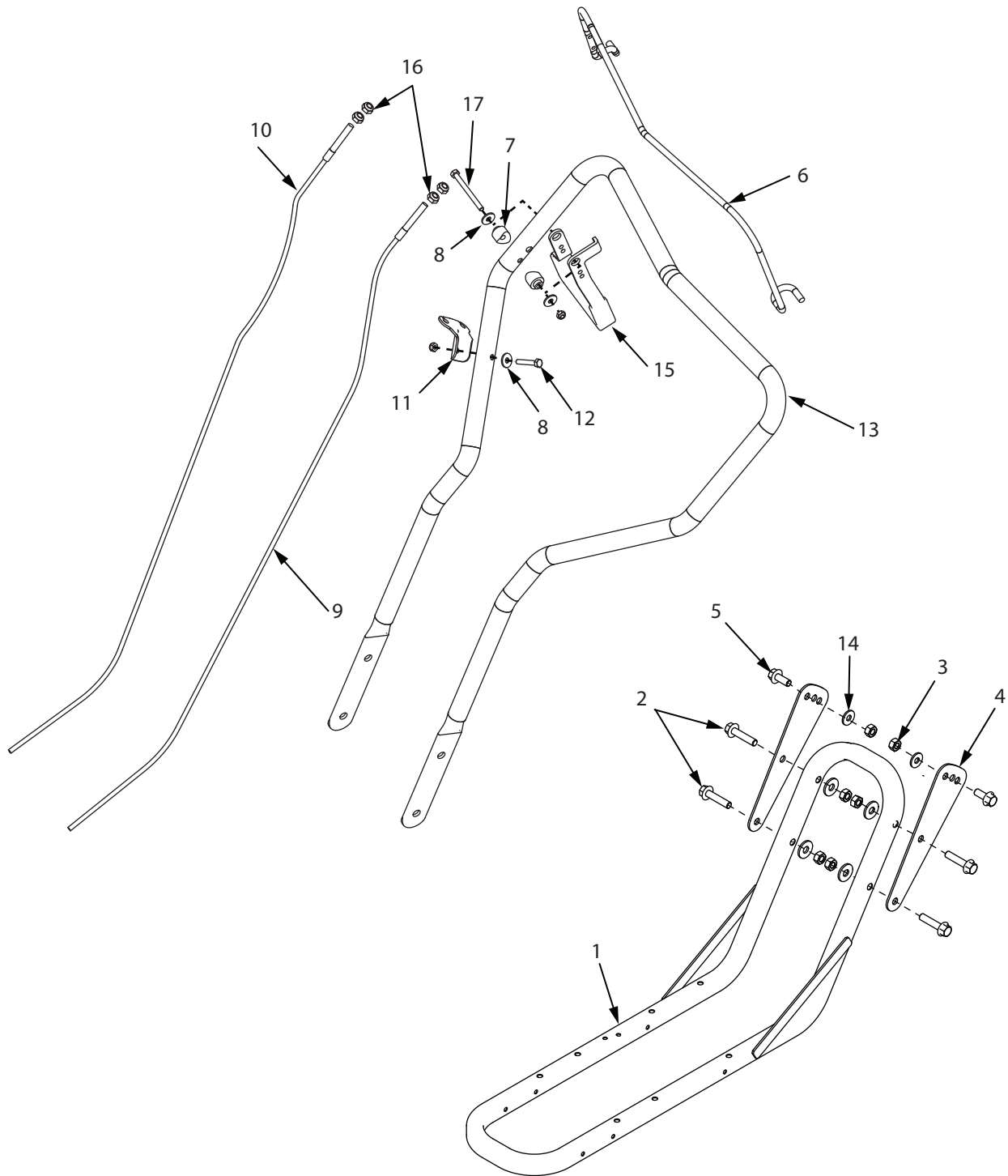
PRODUCT #: 24598

R210 EPA III VIPER ENGINE



PN: 24832
ECN: 11363
REV1: 08/01/2016
© 2016 Ardisam, Inc.
All Rights Reserved

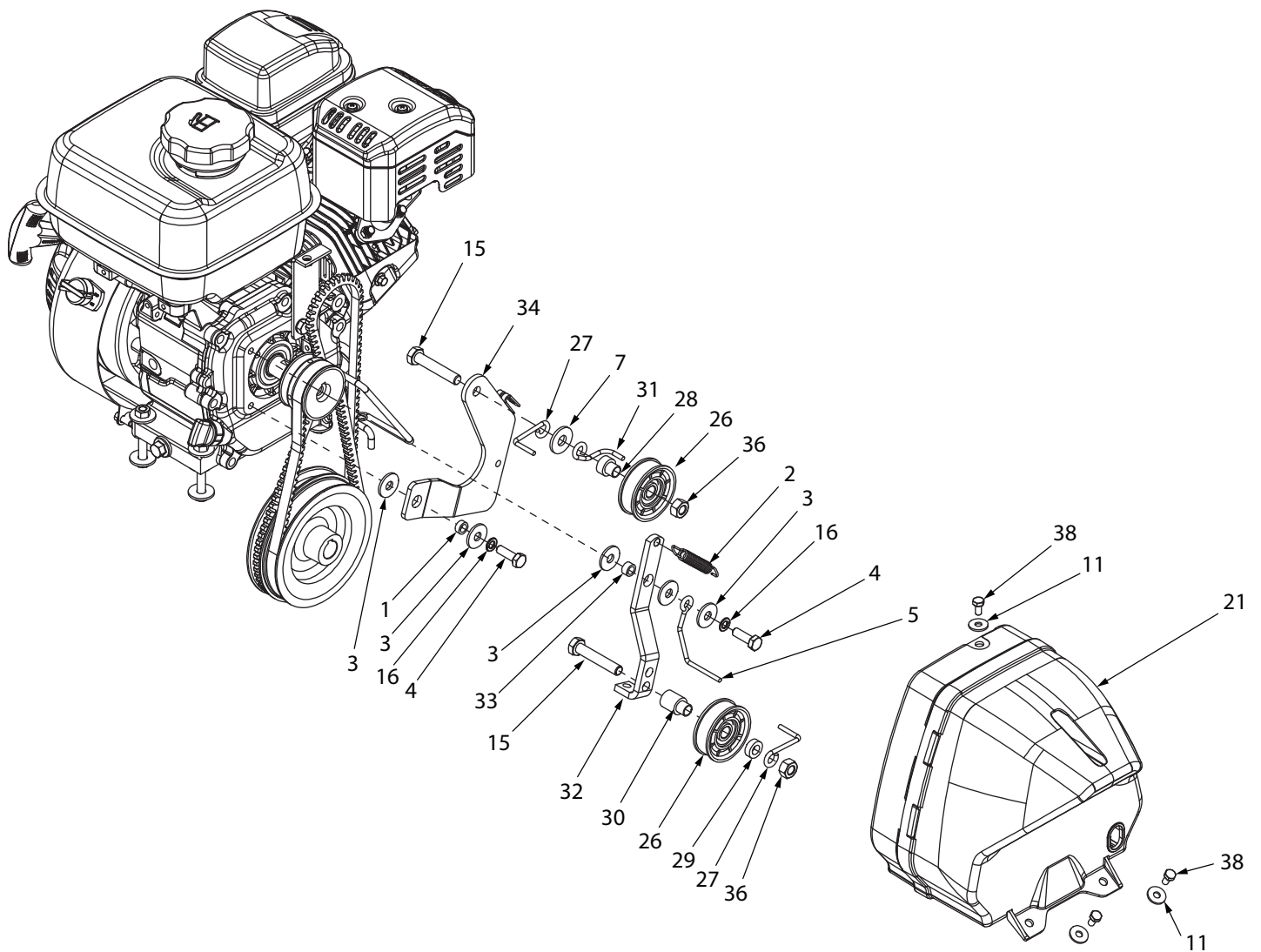
ILLUSTRATED PARTS BREAKDOWN - 6015 Handlebar Assembly



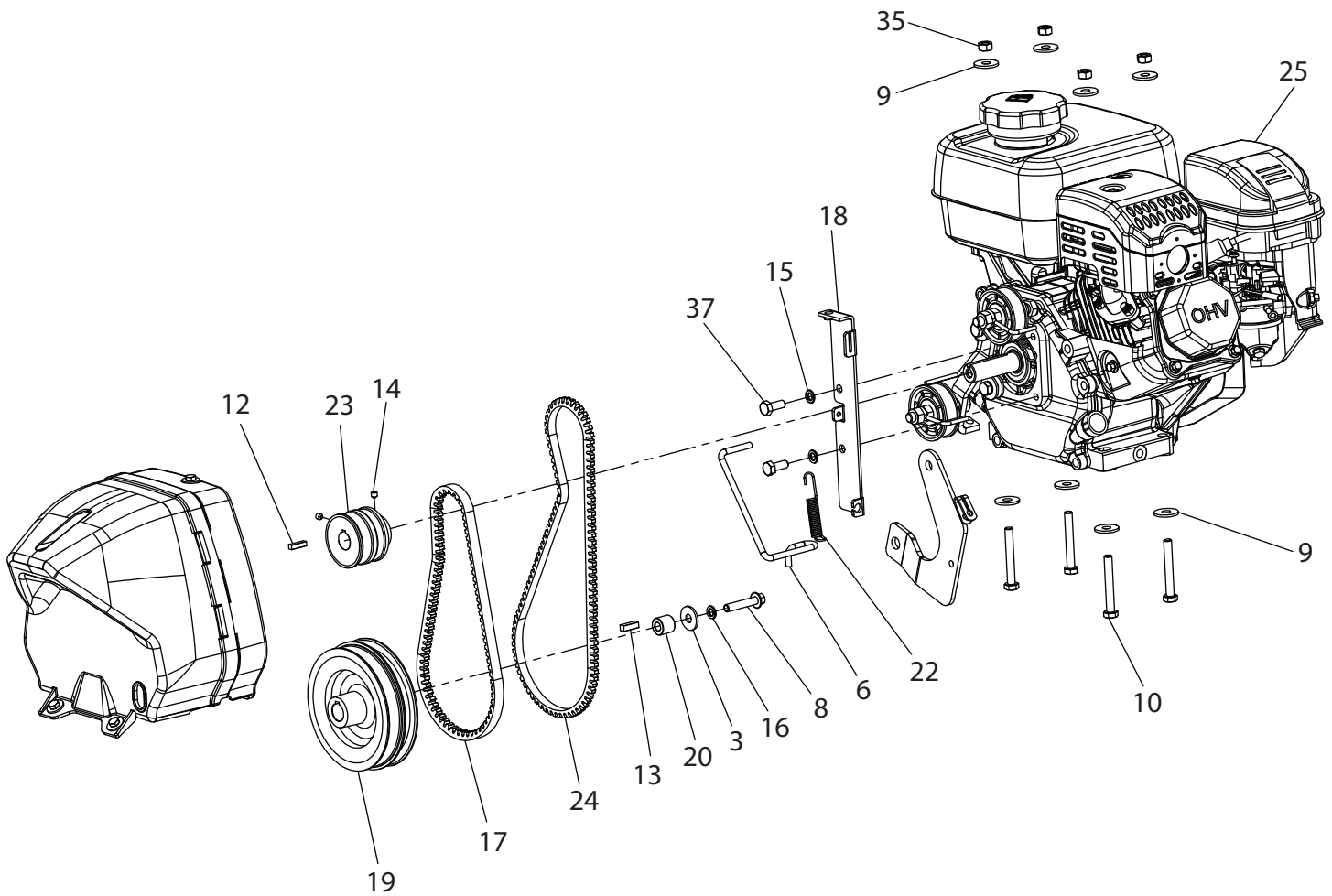
ILLUSTRATED PARTS BREAKDOWN - 6015 Handlebar Assembly

ITEM #	PART #	DESCRIPTION	QTY.
1	19867	HANDLE, ENGINE MOUNT WELDMENT	1
2	11509	BOLT (M10-1.5 X 45 MM HHFCS GR8.8 ZN)	4
3	W1265V0903	NUT (M10 X 1.5 HNYLK GR 8.8 ZN)	6
4	13285	PLATE, HANDLEBAR EXTENSION, ADJUSTABLE	2
5	19124	BOLT (M10 X 1.5 X 25 HHFCS)	2
6	24603	LEVER ENGAGEMENT DRIVE	1
7	24610	SPACER HANDLE REVERSE	2
8	20141	WASHER M6 X 12MM X 1.6 MM GR8 ZN	3
9	24606	CABLE REVERSE	1
10	24605	CABLE FORWARD W/ SPRING	1
11	25490	BRACKET CABLE VICTORY	1
12	18104	BOLT M6 X 1.0 X 35 HH GR8.8 ZN	1
13	24602	HANDLEBAR LOOP REAR TINE W/ REVERSE	1
14	19905	WASHER M10 X 20MM X 2MM FLAT ZN	6
15	25744	HANDLE REVERSE DOUBLE HUNG VINYL DIP	1
16	4620	NUT M8 X 1.25 X HJAM GR8.8 ZN	4
17	25755	BOLT M6 X 1.0 X 70 MM HH GR8.8 ZN P-T	1

ILLUSTRATED PARTS BREAKDOWN - 6015 Engine and Mount 1



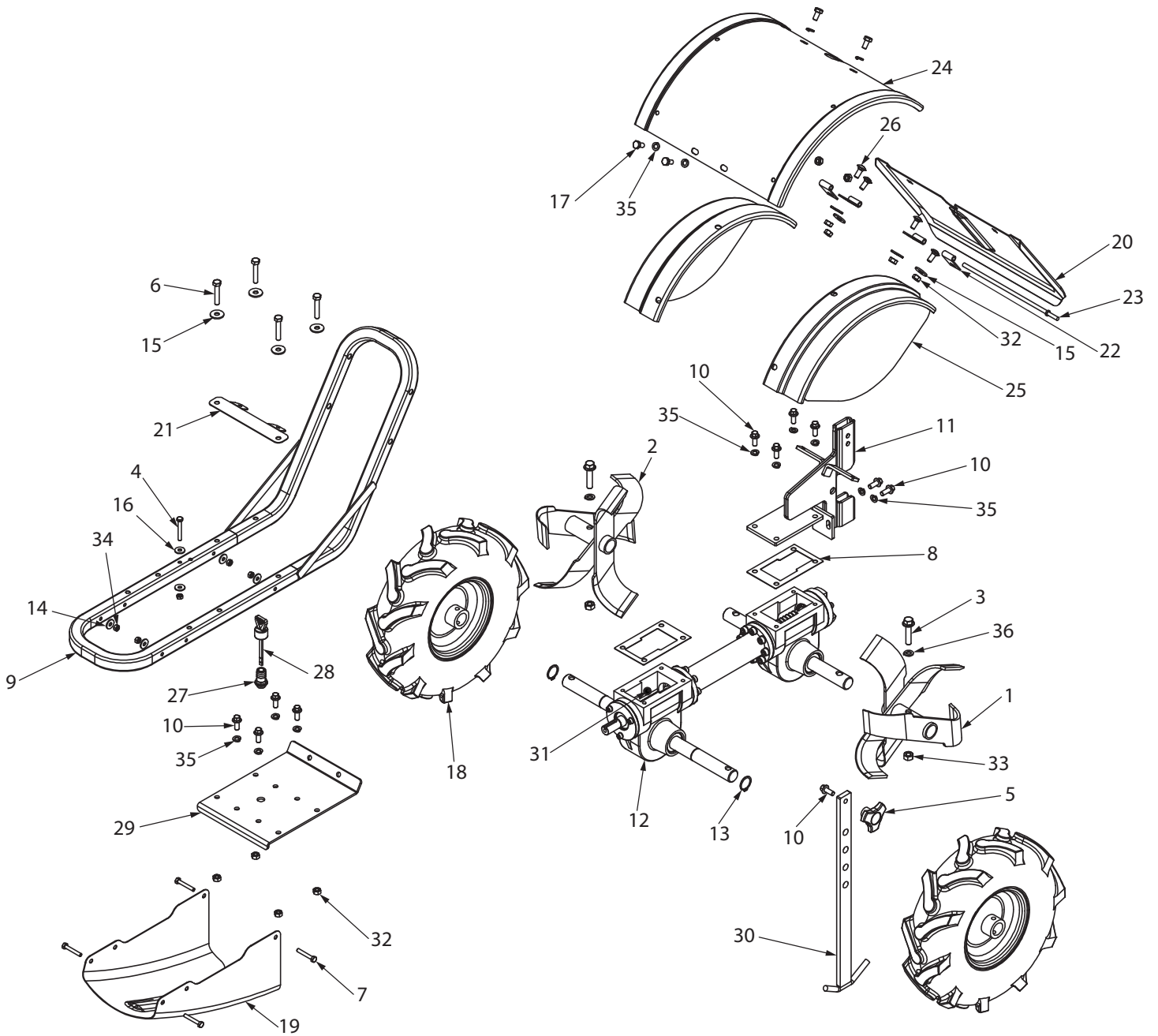
ILLUSTRATED PARTS BREAKDOWN - 6015 Engine and Mount 2



ILLUSTRATED PARTS BREAKDOWN - 6015 Engine and Mount

ITEM#	PART #	DESCRIPTION	QTY.	ITEM#	PART #	DESCRIPTION	QTY.
1	743	BUSHING REVERSE ARM 5.21MM X 8.33MM ID	1	26	25881	PULLEY IDLER 12MM ID X 55.5MM OD NYLON	2
2	1407	SPRING EXTENSION 86 X 1.65MM WIRE 2 HOOK	1	27	25885	GUIDE BELT FORWARD ARM M10 MOUNT	2
3	3245	WASHER M8 X 24MM X 2.0MM GR8.8 ZN	6	28	25888	SPACER REVERSE PULLEY 18.4MM X 10MM ID	1
4	13826	BOLT M8 X 1.25 X 25 HHCS GR8.8 ZN F-T	2	29	25889	SPACER REVERSE PULLEY 6MM X 12MM ID	1
5	14030	GUIDE BELT L SHAPED M8 MOUNT	1	30	25890	SPACER FORWARD PULLEY 21MM X 12MM ID	1
6	19895	GUIDE BELT WIRE FORM REAR TINE NP	1	31	26564	GUIDE BELT REVERSE ARM M10 MOUNT	1
7	19905	WASHER M10 X 20MM X 2MM GR8.8 ZN	1	32	53617	ARM FORWARD REAR TINE	1
8	19922	BOLT M8 X 1.25 X 40 HHCS GR8.8 ZN P-T	1	33	53637	BUSHING 8.3 MM X 12.4 MM 6.7 MM THK	1
9	20143	WASHER M8 X 16MM X 1.5MM GR8.8 ZN	8	34	53682	WELDMENT REVERSE ARM REAR TINE	1
10	20144	BOLT M8 X 1.25 X 60 HHCS GR 8.8 ZN F-T	4	35	W1265V0900	NUT M8 X 1.25 HNYLK GR8.8 ZN	4
11	20148	WASHER M6 X 18 X 1.6 FLAT GR8.8 ZN	3	36	W1265V0903	NUT M10 HNYLK GR8.8 ZN	2
12	20176	KEY SQUARE 4.8MM X 20MM	1	37	W1265V0904	BOLT M8 X 1.25 X 20 HHCS GR8.8 ZN F-T	2
13	20197	KEY SQUARE 6MM X 20MM	1	38	W1200115	BOLT M6 X 1 X 12 HHCS GR8.8 ZN F-T	3
14	20919	SET SCREW M6 X 1.0 X8 SCPC GR10.9 BLK OX	2				
15	21600	BOLT M10 X 1.5 X 55 HHCS GR 8.8 ZN P-T	2				
16	21640	WASHER M8 SPRLK GR8.8 ZN	5				
17	22773	BELT V 4LXA 12MM X 660MM TOOTH	1				
18	24614	WELDMENT PLATE CABLE PULL	1				
19	24616	PULLEY TWO GROOVE TRANSMISSION	1				
20	24617	SPACER DRIVE SHAFT 16.22MM X 9MM ID	1				
21	24771	ASSEMBLY BELT GUARD COVER	1				
22	24885	SPRING EXTENSION 72 X 1.65MM WIRE	1				
23	24950	PULLEY TWO GROOVE ENGINE 19.05ID W/SET SCW	1				
24	24995	BELT V 4LXA 10MM X 812MM TOOTH	1				
25	25145	ENGINE HORZ SHAFT 212CC VIPER R210 EPA	1				

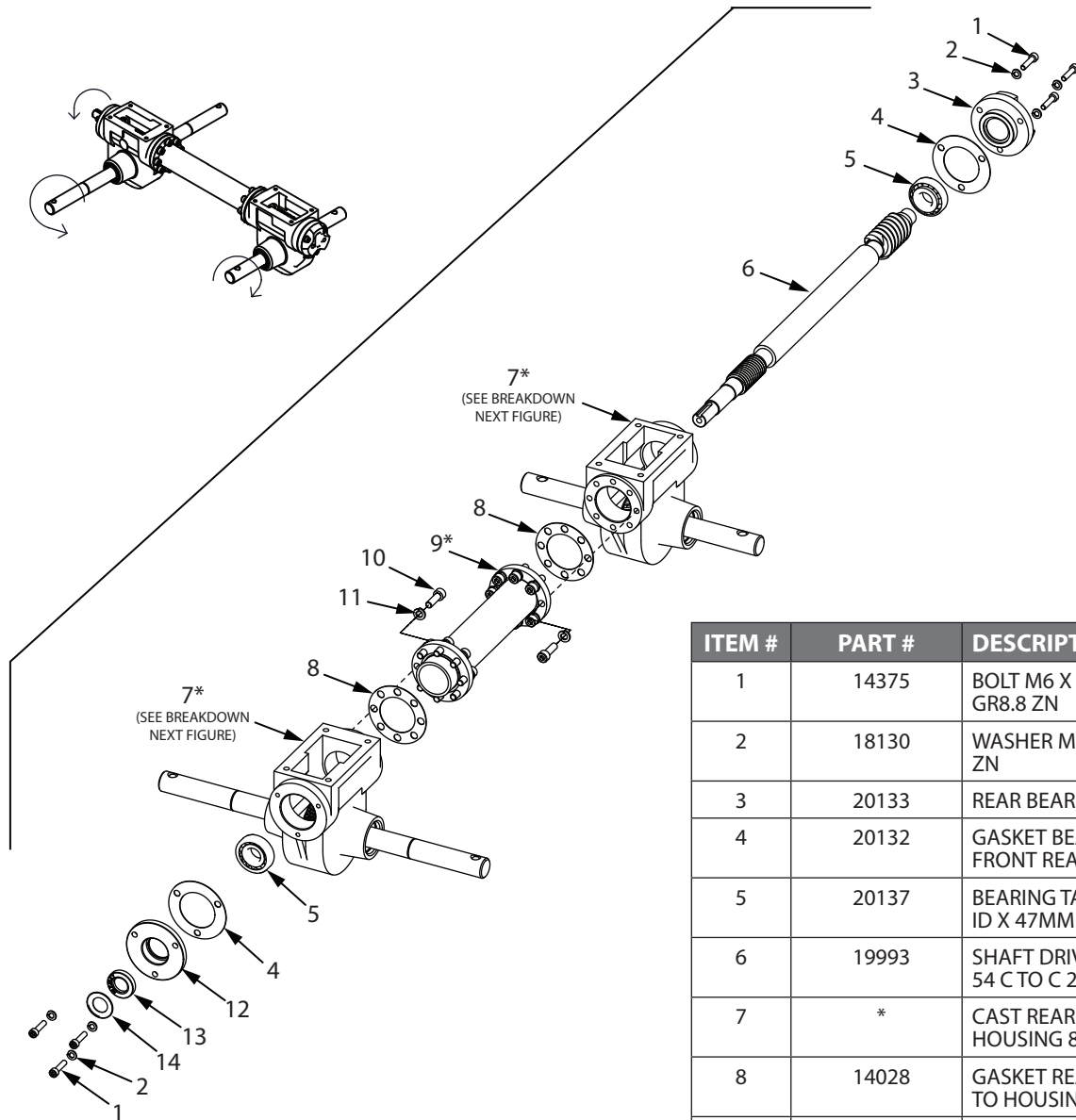
ILLUSTRATED PARTS BREAKDOWN - 6015 Transmission, Tines, & Hood



ILLUSTRATED PARTS BREAKDOWN - 6015 Transmission, Tines, & Hood

ITEM #	PART #	DESCRIPTION	QTY.
1	1900LCRT	TINE SET ASSEMBLY LS-CRT RS-SRT	1
2	1900RCRT	TINE SET ASSEMBLY RS CRT LS SRT	1
3	11509	BOLT M10 X 1.5 X 45 HHFCS GR8.8 ZN	2
4	11946	BOLT M6 X 1.0 X 45 HHCS GR8.8 ZN	1
5	13601	KNOB BLACK THREE STAR M8 X 1.25 - 6H	1
6	18098	BOLT M8 X 1.25 X 45 HH GR 8.8 ZN	4
7	18103	BOLT M6 X 1.0 X 40 HH GR 8.8 ZN	4
8	19864	GASKET TILLER TRANSMISSION COVER NP	2
9	19867	WELDMENT ENGINE HANDLE MOUNT	1
10	19945	BOLT M8 X 1.25 X 20 HHFCS GR8.8 ZN	11
11	20003	WELDMENT TAIL MOUNT REAR TINE NP	1
12	20111	TRANSMISSION CRT SHORT	1
13	20138	SNAP RING 25MM EXTERNAL	2
14	20141	WASHER M6 X 12MM X 1.6MM GR8 ZN	5
15	20143	WASHER M8 X 16MM X 1.5MM GR8.8 ZN	8
16	20148	WASHER M6 X 18 X 1.6 FLAT GR8.8 ZN	1
17	20150	BOLT M8 X 1.25 X 15 HHCS GR8.8 ZN	4
18	20967	TIRE WHEEL ASSEMBLY GREY 10 LUG 12 DEEP	2
19	24764	LOWER PAN	1
20	24778	BEAVER TAIL	1
21	24782	WELDMENT BRACKET PULLEY COVER	1
22	24868	BRACKET HINGE	4
23	24869	ROD HINGE	1
24	24870	HOOD REAR TINE	1
25	24873	WELDMENT SIDE SHIELD	2
26	23205	BOLT M8 X 1.25 X 20 CRG GR8 ZN F-T	4
27	24877	ASSEMBLY VENT M16 X 2.0	1
28	24879	DIPSTICK REAR TINE VENT PLUG	1
29	24880	PLATE TRANNY HOOD MOUNT M16 VENT	1
30	53655	WELDMENT DRAG STAKE CRT TILLER DEC 2005	1
31	OIL00	GREASE MYSTIC CL 00 (GRAMS)	760 g
32	W1265V0900	NUT M8 X 1.25 HNYLK GR8.8 ZN	10
33	W1265V0903	NUT M10 HNYLK GR8.8 ZN	2
34	W1265V0913	NUT M6 X 1.0 HNYLK GR8.8 ZN	5
35	W1200114	WASHER M8 X 1.9 SPRLK BLK OX HIGH COLLAR	14
36	W1200119	WASHER M10 X 2 THK SPRLK ZN HIGH COLLAR	2

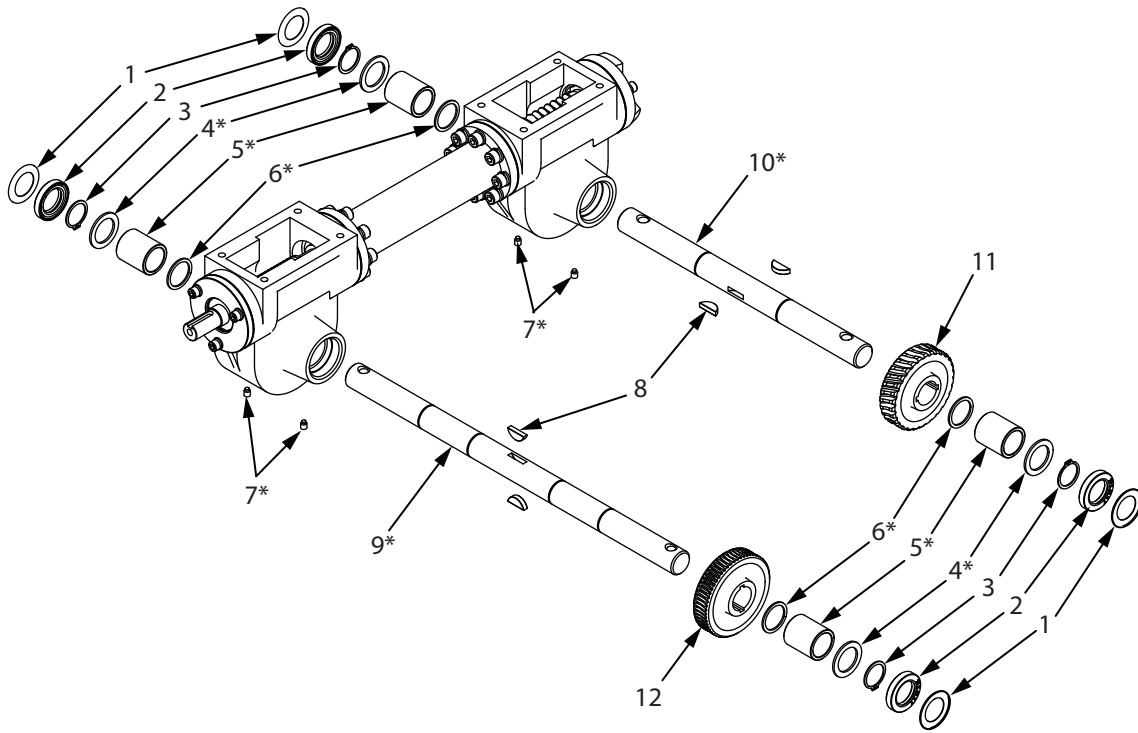
ILLUSTRATED PARTS BREAKDOWN 6015 - Transmission Detailed Breakdown



ITEM #	PART #	DESCRIPTION	QTY
1	14375	BOLT M6 X 1.0 X 25 SLHH GR8.8 ZN	6
2	18130	WASHER M6 X 1.5 SPRLCK ZN	6
3	20133	REAR BEARING CAP NP	1
4	20132	GASKET BEARING CAP FRONT REAR NP	2
5	20137	BEARING TAPERED 20MM ID X 47MM OD	2
6	19993	SHAFT DRIVE CRT SHORT 54 C TO C 20 PA NP	1
7	*	CAST REAR TINE TRANNY HOUSING 8 HOLE NP	2
8	14028	GASKET REAR TINES PIPE TO HOUSING 8 HOLE	2
9	*	WELDMENT 2 FLANGED PIPE REAR TINE NP	1
10	400022	BOLT M8 X 1.25 X 25 SHCS GR 8.8 ZN	16
11	W1200114	WASHER M8 X 1.9 SPRLCK BLK OX HIGH COLLAR	16
12	20134	FRONT END CAP NP	1
13	20136	SEAL 20MM SHAFT 35MM BORE	1
14	20131	COVER DRIVE SHAFT SEAL	1

* ORDER TRANSMISSION ASSEMBLY 20111

ILLUSTRATED PARTS BREAKDOWN - 6015 Transmission Detailed Breakdown



ITEM #	PART #	DESCRIPTION	QTY
1	20130	COVER SHAFT SEAL NP	4
2	20135	SEAL 25MM SHAFT 40MM BORE	4
3	20138	SNAP RING 25MM EXTERNAL	4
4	*	SHIM 37 MM X 26 MM X 2 MM	4
5	*	BUSHING 25 X 32 X 36.5 MM NP	4
6	*	SHIM 26 X 32 X 1.5 MM NP	4
7	*	SETSCREW M6 X 1.0 X 8.5 SDP GR8.8 BLK OX	4
8	1500P113	KEY WOODRUFF 5X9X22	4
9	*	SHAFT PIN STYLE WHEEL DOUBLE KEY NP	1
10	*	SHAFT PIN STYLE TINES DOUBLE KEY NP	1
11	20128	GEAR BRONZE 25MM ID 30T 20.0 PA TWO KEYS	1
12	19982	GEAR BRONZE 25 MM ID 61T 20 PA TWO KEYS	1
* ORDER TRANSMISSION ASSEMBLY 20111			