

# TABLE OF CONTENTS

## HTX6H Ride-On Trowel

Explanation of Code in Remarks Column.....	4
Suggested Spare Parts .....	5

## Component Drawings

Nameplate and Decals Assembly.....	6-7
Frame Assembly (Frame and Fittings).....	8-9
Left Frame Console Assembly.....	10-11
Right Frame Console Assembly .....	12-13
Front Panel Assembly.....	14-15
Platform Assembly.....	16-17
Cowling Assembly .....	18-19
Seat Frame Assembly .....	20-21
Steering/Pump Stroker Assembly.....	22-23
Seat Frame — Document Holder Assembly....	24-25
Electrical Control Panel - Test Port Assembly..	26-27
Pivot Assembly .....	28-29
Hydraulic Steering Assembly.....	30-31
Hydraulic Cylinder Assembly.....	32-33
Hydraulic Heat Exchanger Assembly (L-R) .....	34-35
Charge Air Cooler Assembly .....	36-37
Pump Fittings Assembly .....	38-39
Fixed Pump Fittings Assembly .....	40-41
Pump Levers Assembly .....	42-43
Hydraulic Hose Kit Assembly Complete .....	44-45
Hyd. Hose Assy. (P. Block Ports C1~C4) .....	46-47
Hyd. Hose Assy. (LH-RH Steering Valves #1)..	48-49

Hyd. Hose Assy. (LH-RH Steering Valves #2)..	50-51
Hyd. Hose Assy. (P. Block/Frame/Tank/Pump).	52-53
Hyd. Hose Assy. (P. Block/Cooler/Pump) .....	54-55
Hyd. Hose Assy. (Cooler/Motors/Pump) .....	56-57
Hyd. Hose Assy. (P. Block/P. Stroker/Pump/Filter)	58-59
Pitch Block Assembly (Fittings) .....	60-61
Pitch Block Assembly (Valves) .....	62-63
Hydraulic Oil Expansion Tank Assembly .....	64-65
Filter Assembly .....	66-67
Left-Hand Valve Assembly .....	68-69
Right-Hand Valve Assembly .....	70-71
Stabilizer Assembly .....	72-73
6-Blade Spider Assembly (Left-Side) .....	74-75
6-Blade Spider Assembly (Right-Side) .....	76-77
Spray Assembly (S/N NH2003616 and Below) .	78-79
Spray Assembly (S/N NH2003617 and Above).	80-81
Engine Assembly.....	82-83
Engine Mounting Assembly .....	84-85
Exhaust Assembly .....	86-87
Air Cleaner Assembly .....	88-89
Fuel System Assembly .....	90-91
Fuel Pump and Fuel Filter Assembly.....	92-93
Battery Assembly.....	94-95
Radiator Mounting Hardware Assembly .....	96-97
Harness Assembly.....	98-99

### NOTICE

Specifications and part numbers are subject to change without notice.

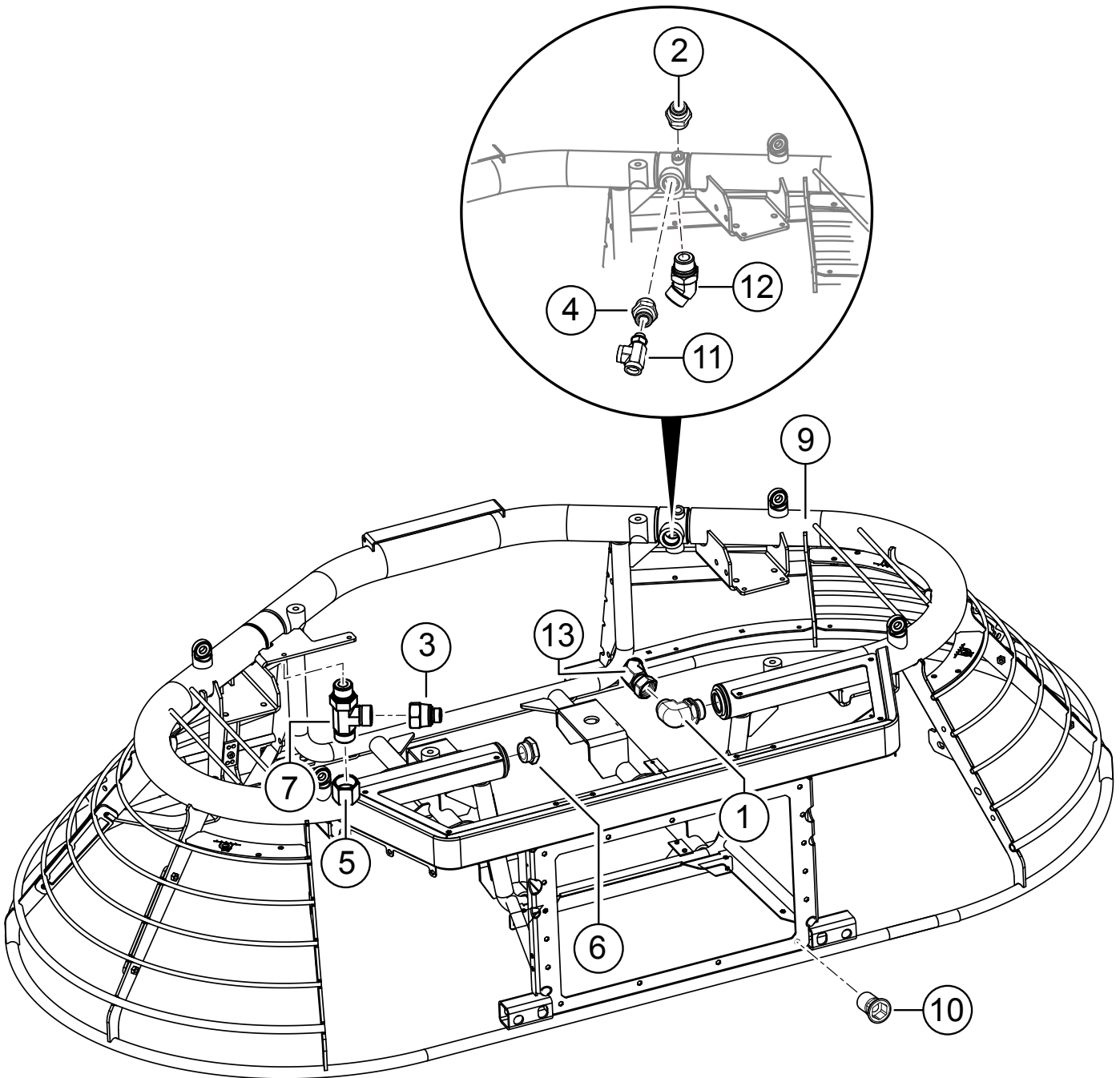


## NAMEPLATE AND DECALS ASSY.

---

<u>NO.</u>	<u>PART NO.</u>	<u>PART NAME</u>	<u>QTY.</u>	<u>REMARKS</u>
1	42777	DECAL ISO, RH CONSOLE TOP	1	
2	42595	DECAL ISO, SERVICE TOOL & SET UP JUMPER	1	
3	42778	DECAL ISO, LH CONSOLE TOP OVERLAY	1	
4	42896	DECAL ISO, PRESSURE TEST PORTS	1	
5	23803-121	DECAL ISO, GUARANTEED SOUND 121 dBA	1	
6	36099	DECAL ISO, PROTECTIVE CLOTHING, 3.50" X 1.13"	1	
7	42779	DECAL ISO, RH CONSOLE FRONT OVERLAY	1	
8	23875	DECAL ISO, HOT COOLANT, 2" DIA	1	
9	23700	DECAL ISO, LIFTING/CRUSH, 2.4" X 2.0" DIA	2	
10	23805	DECAL ISO, LIFTING POINT 2.00" DIA	2	
11	42970	DECAL, DIESEL FUEL	1	
12	23874	DECAL ISO, DO NOT REMOVE GUARDS HZRD, 2.00" DIA.	2	
13	23698	DECAL ISO, ROTATING BLADE HAZARD, 2.00" DIA	2	
14	13805	SERIAL TAG	1	
15	34630	DECAL ISO, FIRE, EXP., SMOKING HAZ 6.50" X 1.40"	1	
16	42791	DECAL ISO, LH CONSOLE FRONT OVERLAY, HTX	1	
19	42793	HTX6H, DECAL LOCATOR	1	

# FRAME ASSY. (FRAME AND FITTINGS)

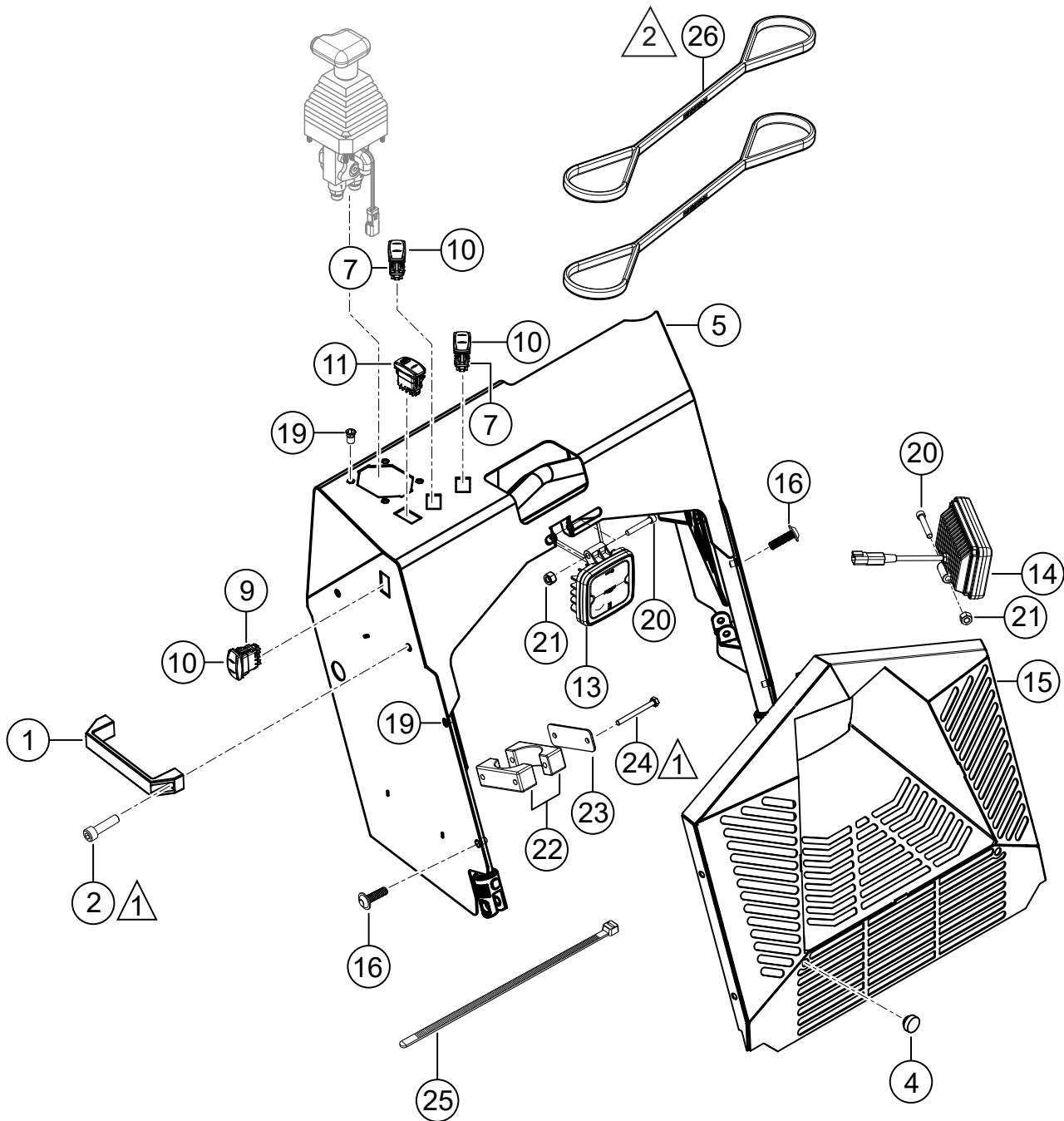


## FRAME ASSY. (FRAME AND FITTINGS)



---

<u>NO.</u>	<u>PART NO.</u>	<u>PART NAME</u>	<u>QTY.</u>	<u>REMARKS</u>
1	32339	FITTING, 90 16MORFS x 20MOR	1	
2	32730	FITTING, STR 6 MO X 4 MORFS	1	
3	32728	FITTING, STR 8 FORFS X 4 MORFS	1	
4	32423	FITTING, STR 12MORFS x 16MOR	1	
5	32729	FITTING, TEE, CAP 8 FORFS	1	
6	42938	FITTING, STR 16MORFS X 20MOR	1	
7	32727	FITTINGm TEE 8 MO X 8 MORFS RUN	1	
9	42590-SK	MAIN FRAME KIT, HTX6H	1	
10	42496	RIVNUT, HALF HX BODY, LG FLANGE, M6X1.0 ISO	1	
11	32731	FITTING, TEE 12 FORFS X 12 MORFS RUN	1	
12	32805	FITTING, 45 12MORFS x 12MOR	1	
13	32732	FITTING, 45 16 FORFS X 16 MORFS	1	

# LEFT FRAME CONSOLE ASSY.



## NOTES:

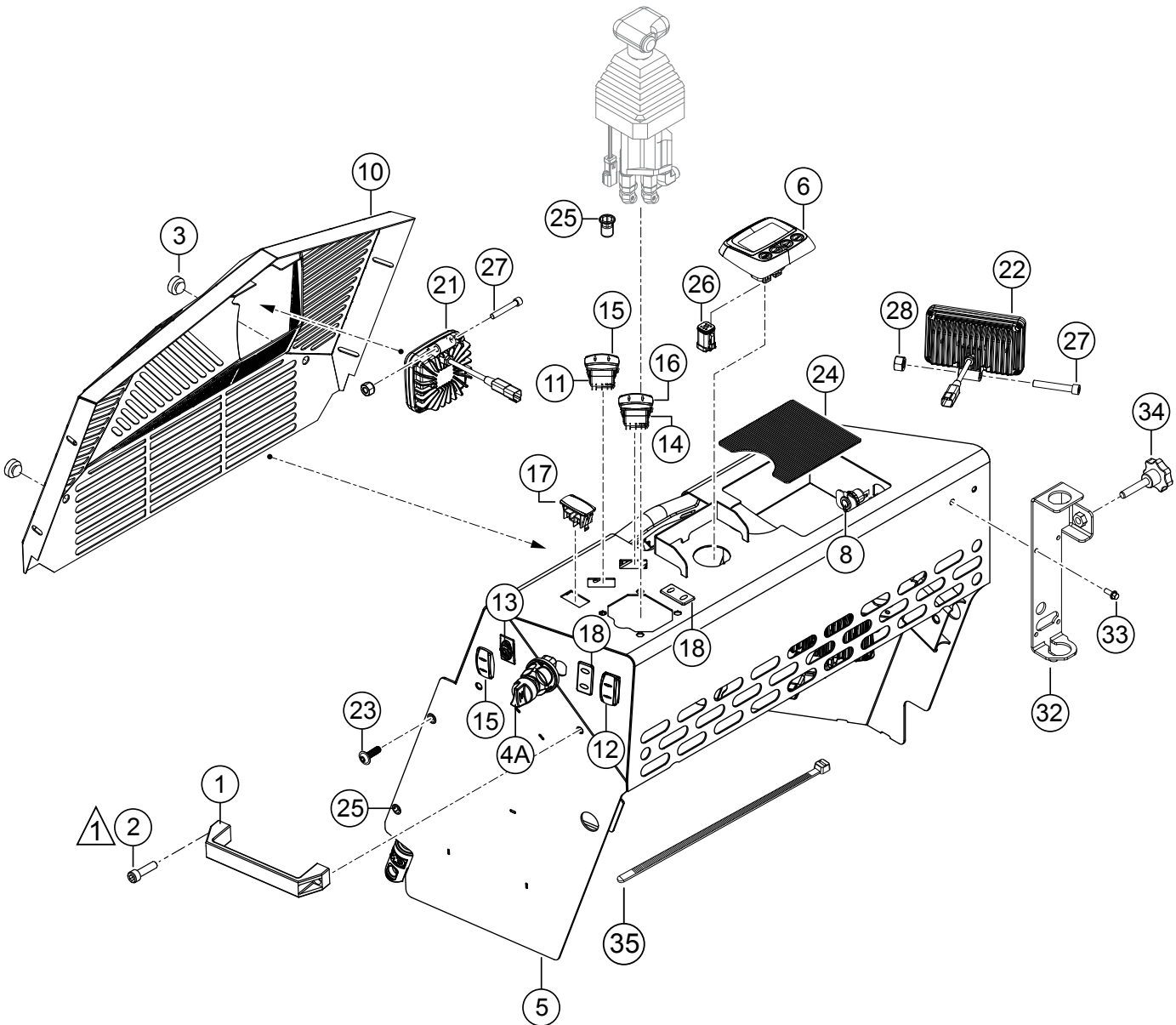
-  APPLY LOCTITE #246
-  ATTACH LIFTING SLING

## LEFT FRAME CONSOLE ASSY.

---

<u>NO.</u>	<u>PART NO.</u>	<u>PART NAME</u>	<u>QTY.</u>	<u>REMARKS</u>
1	20674	HANDLE, GRAB	1	
2	24244	SCREW, SHC M8-1.25 X 20MM	2	
4	21597	BUMPER,STEM	2	
5	42769	CONSOLE, TIER 4 LEFT SEAT FRAME	1	
7	42178-001	SWITCH BASE, 10 TERM, MOM ON-OFF- MOM ON	2	
9	42178-003	SWITCH BASE, CARLING CONTURA SERIES	1	
10	42179-001	ACTUATOR, CARLING CONTURA V-SERIES	3	
11	42180-002	SWITCH, LOCK ROCKER, CONT V-SERIES	1	
13	42262	LIGHT, LED 20W 4 EMITTERS 60°	1	
14	42263	LIGHT, LED 20W 6 EMITTERS 60°	1	
15	42324	COVER, GEN 3 LEFT END W/A	1	
16	42325	SCREW, BHSC, M6-1.0 X 20, FLANGED	6	
19	42496	RIVNUT, HALF HX BODY, LG FLANGE	8	
20	42897	SCREW, SHC 5/16-18 X 2.0"	2	
21	5283	NUT, NYLOC 5/16-18	2	
22	32475-C	BODY, CLAMP 2"DIA 2 HOLE	1	
23	32475-B	PLATE, COVER #6-2 HOLE	1	
24	32475-D	SCREW,HHC M6-1x72MM	2	
25	42315	TIE, CABLE	6	
26	23165	SLING, LIFTING	2	

# RIGHT FRAME CONSOLE ASSY.

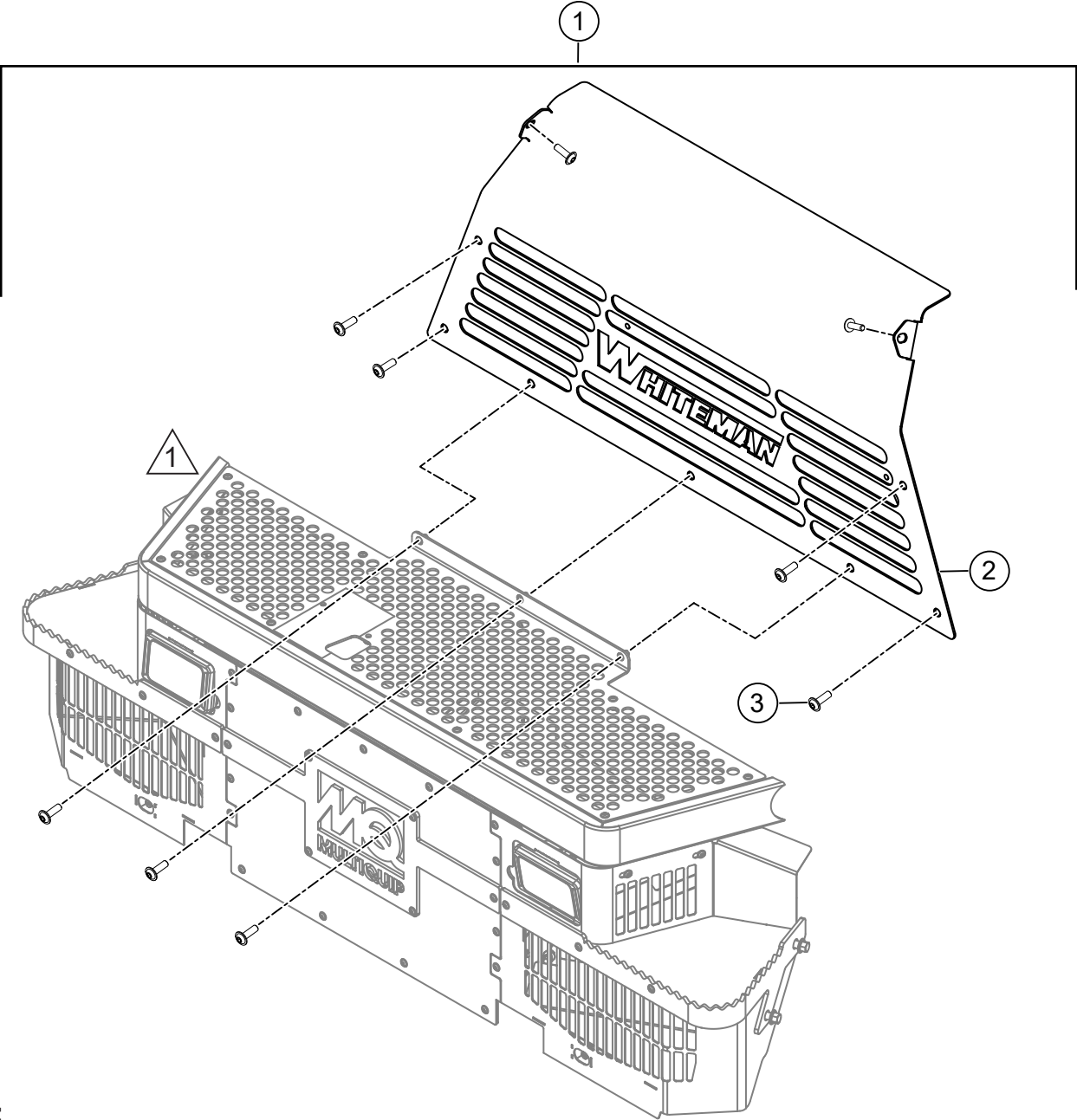


NOTES:  
1 APPLY LOCTITE #246

## RIGHT FRAME CONSOLE ASSY.

<u>NO.</u>	<u>PART NO.</u>	<u>PART NAME</u>	<u>QTY.</u>	<u>REMARKS</u>
1	20674	HANDLE, GRAB	1	
2	24244	SCREW, SHC M8-1.25 X 20MM	2	
3	21597	BUMPER,STEM	2	
4	23959	SWITCH, IGNITION.....	1	INCLUDESITEMSW/\$
4A\$	23959-01	KEY, IGNITION SWITCH	1	
5	42770	CONSOLE, TIER 4 RIGHT SEAT FRAME	1	
6	42748	DISPLAY, J1939-MURPHY PV101	1	
8	42780	ACCESSORY PORT, USB POWER	1	
10	42169	COVER, GEN 3 RIGHT END	1	
11	42178-001	SWITCH BASE, 10 TERM, MOM ON-OFF MOM ON	1	
12	42178-002	SWITCH BASE, 10 TERM, ON-OFF	1	
13	42178-003	SWITCH BASE, CARLING CONTURA SERIES	1	
14	42178-004	SWITCH BASE, CARLING CONTURA SERIES	1	
15	42179-001	ACTUATOR, CARLING CONTURA V-SERIES	3	
16	42179-002	ACTUATOR, CARLING CONTURA V-SERIES	1	
17	42781	PLUG, CONSOLE SWITCH	1	
18	42181-001	INDICATOR, CONTURA VP SERIES	2	
21	42262	LIGHT, LED 20W 4 EMITTERS 60°	1	
22	42263	LIGHT, LED 20W 6 EMITTERS 60°	1	
23	42325	SCREW, BHSC, M6-1.0 X 20, FLANGED	4	
24	42552	MAT, RUNNER ACCESORY TRAY	1	
25	42496	RIVNUT, HALF HX BODY, LG FLANGE, M6 X 1.0 ISO	8	
26	42782	CON HOUSING, DEUTSCH-DT,6 POS, FEM, PLUG	1	
27	42897	SCREW, SHC 5/16-18 X 2.0"	2	
28	5283	NUT, NYLOC 5/16-18	2	
32	42838	HOLDER, UMBRELLA	1	
33	42542	SCREW HFS, ZP, M6-1.0 X 16	4	
34	42839	SCREW, THUMB M10-1.5 X 50	1	
35	42315	TIE, CABLE	6	

# FRONT PANEL ASSY.



**NOTE:**

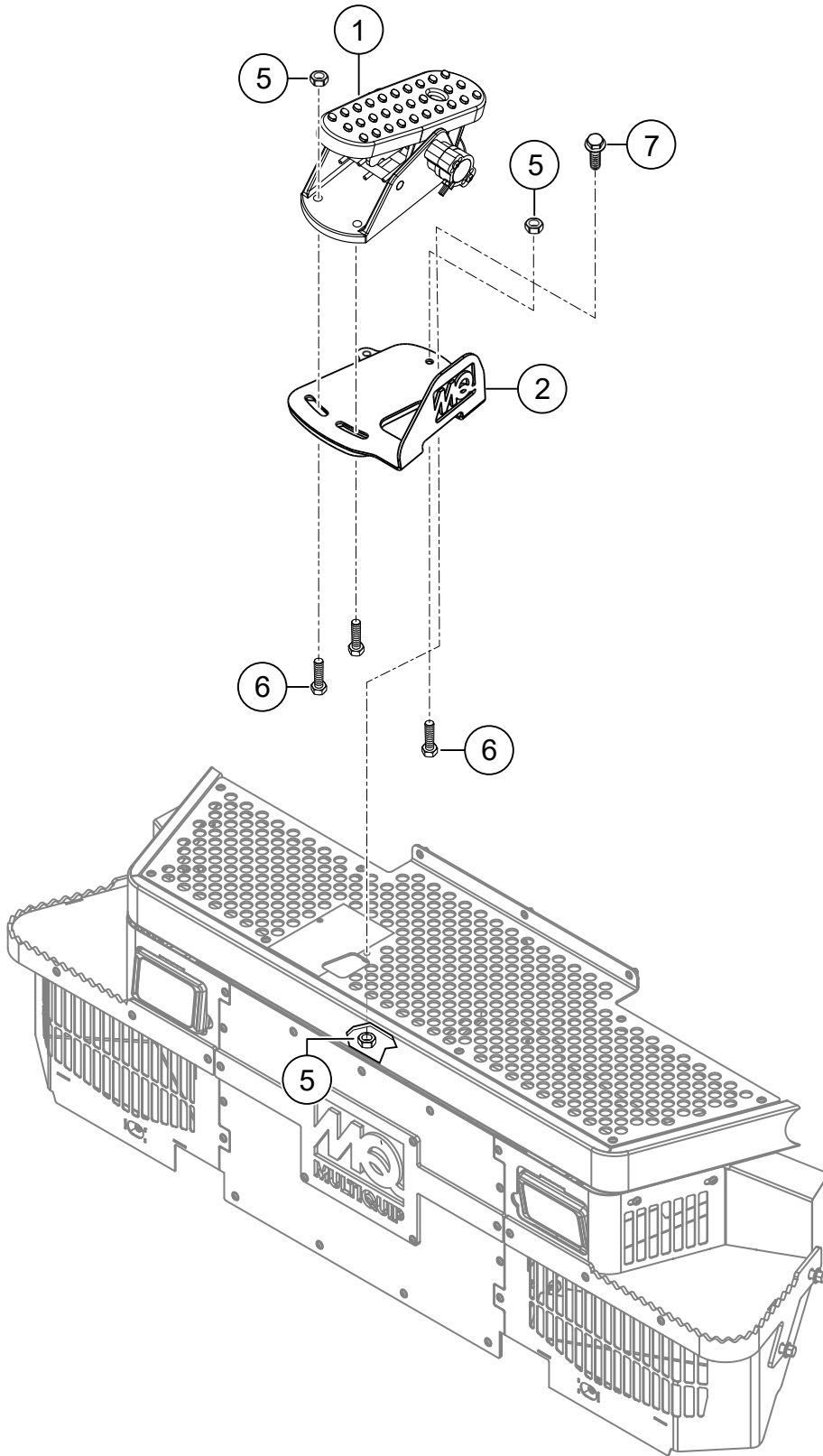
1 FOOT PEDAL NOT SHOWN FOR CLARITY.  
SHOWN ON PLATFORM ASSY.

**FRONT PANEL ASSY.**

---

<u>NO.</u>	<u>PART NO.</u>	<u>PART NAME</u>	<u>QTY.</u>	<u>REMARKS</u>
1	42933	PANEL, FRONT, ASSEMBLY .....	1.....	INCLUDES ITEMS W#
2#	42932	PANEL, FRONT	1	
3#	42325	SCREW, BHSC, M6-1.0 X 20, FLANGED	9	

# PLATFORM ASSY.

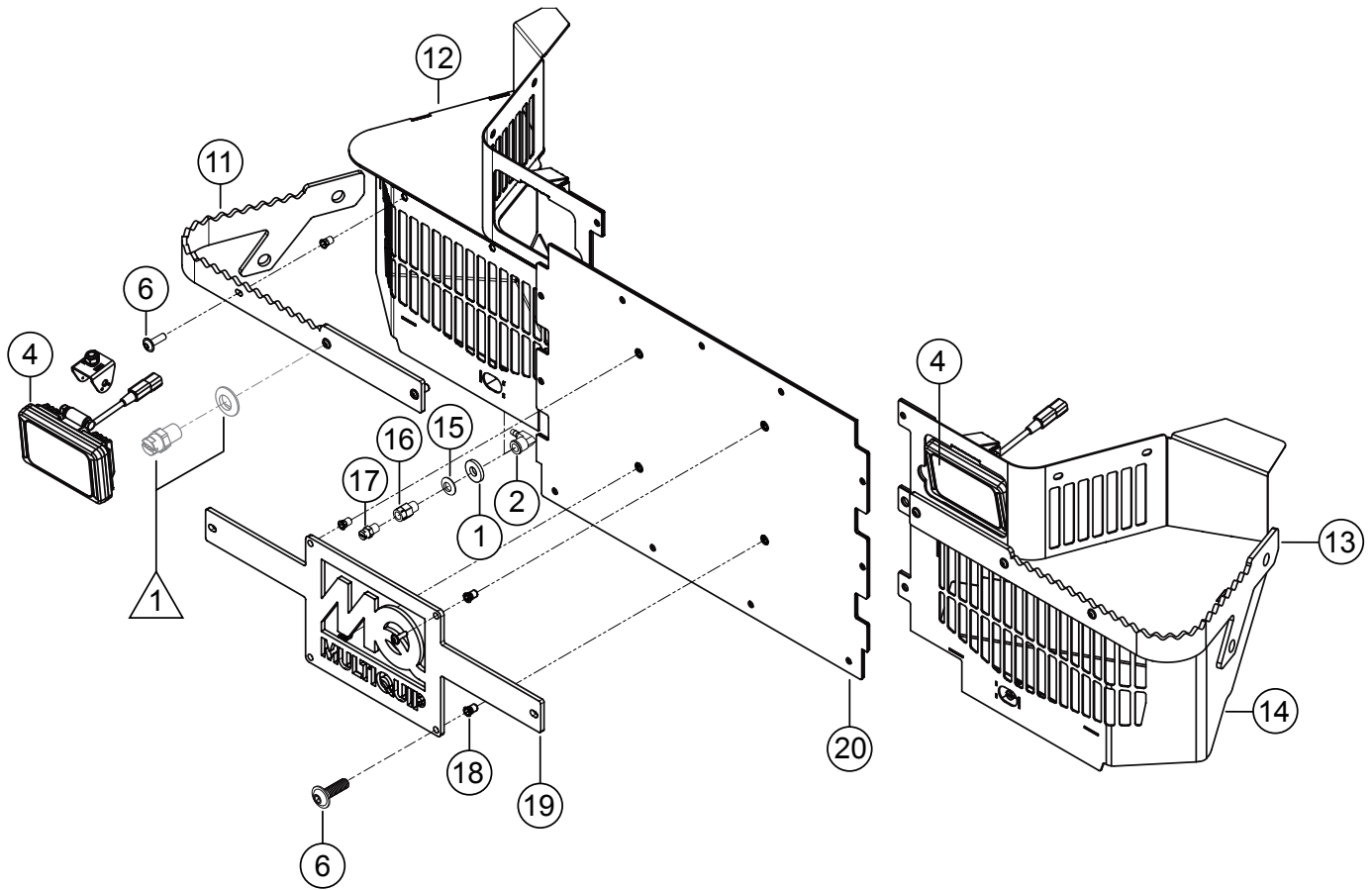


## PLATFORM ASSY.

---

<u>NO.</u>	<u>PART NO.</u>	<u>PART NAME</u>	<u>QTY.</u>	<u>REMARKS</u>
1	42197	PEDAL, FOOT	1	
2	42491	FOOT PEDAL, EXT.	1	
5	42344	NUT, NYLOC M8-1.25, CLASS 8.8	5	
6	1605	SCREW, HHC M8-1.25 X 25MM	3	
7	42436	SCREW, HFS, ZP, M8-1.25 X 25MM, CLASS 8.8	2	

# COWLING ASSY.



**NOTE:**

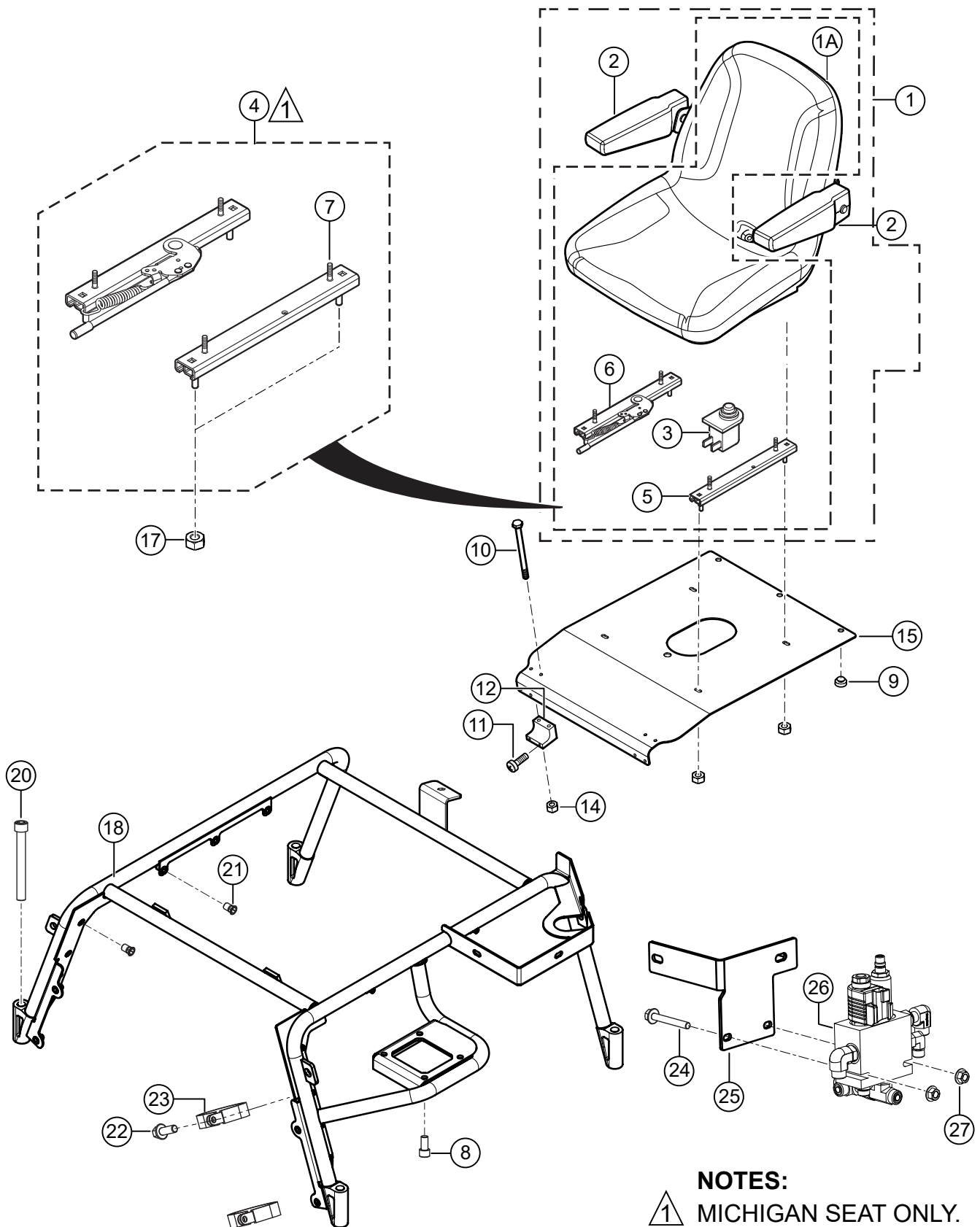
 SHOWN ON SPRAY ASSY.

## **COWLING ASSY.**

---

<b><u>NO.</u></b>	<b><u>PART NO.</u></b>	<b><u>PART NAME</u></b>	<b><u>QTY.</u></b>	<b><u>REMARKS</u></b>
1	16630	WASHER, FLAT, SAE 1/2 HI STREN	2	
2	2912	FITTING, BRASS 90 4BARB-1/4FP	2	
4	42263	LIGHT, LED 20W 6 EMITTERS 60°	2	
6	42325	SCREW, BHSC, M6-1.0 X 20, FLANGED	10	
10	42342	SCREW, HFS, ZP, M8-1.25 x 16, CLASS 8.8	8	
11	42666	BADGE, RIGHT FOOT PLATFORM	1	
12	42727	MODULE, RIGHT HYDRAULIC COOLER	1	
13	42668	BADGE, LEFT FOOT PLATFORM	1	
14	42728	MODULE, LEFT HYDRAULIC COOLER	1	
15	2898	WASHER, BONDED NEOPRENE 1" X 1/2"	2	
16	42637	CHECK VALVE, 1/4 MNPT X 1/4 FNPT 3 PSI	2	
17	392292	NOZZLE, SPRAY	2	
18	42496	RIVNUT FASTENER, HALF HEX, M6 X 1	10	
19	42667	BADGE, MIDDLE FOOT PLATFORM	1	
20	42665	PANEL, FRONT FOOT PLATFORM	1	

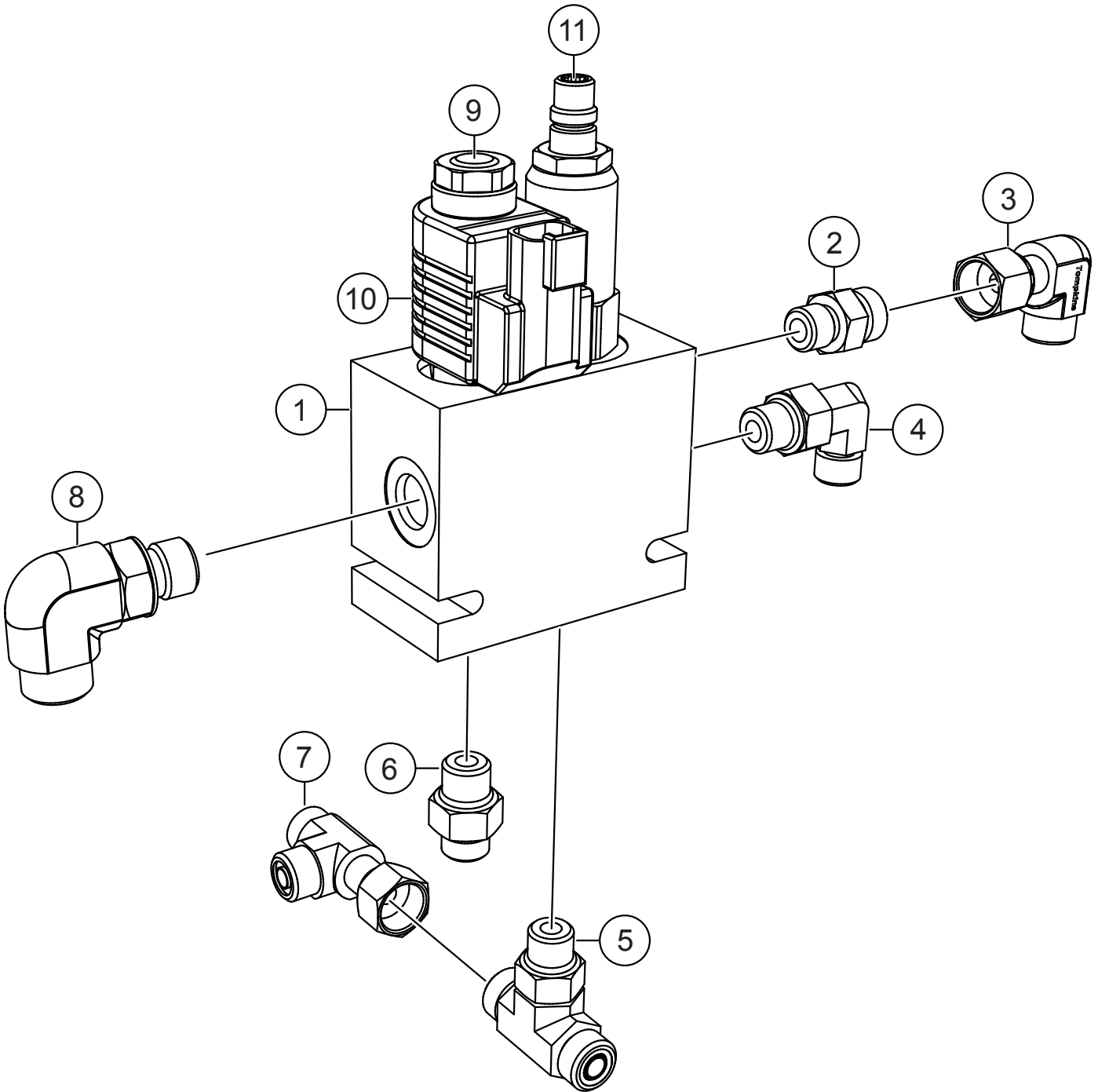
# SEAT FRAME ASSY.



## SEAT FRAME ASSY.

<u>NO.</u>	<u>PART NO.</u>	<u>PART NAME</u>	<u>QTY.</u>	<u>REMARKS</u>
1A\$	21860	SEAT, MICHIGAN W/O ARMS.....	1.....	NO LONGER AVAILABLE
1A@	32963-SK	SEAT, SEARS ADJUSTABLE W/O ARMS.....	1.....	INCLUDES ITEMS W/%
1	21852-S	SEAT, MICHIGAN, ADJUSTABLE W/ ARMS.....	1.....	INCLUDES ITEMS W/\$ NO LONGER AVAILABLE
1	32960-SK	SEAT, SEARS ADJUSTABLE W/ ARMS.....	1.....	INCLUDES ITEMS W/@
2\$	21868	ARM REST KIT, MICHIGAN	1	
2@%	34792	ARM REST KIT, SEARS	1	
3\$	21870	KILL SWITCH, DELTA SYSTEMS .....	1.....	REPLACES P/N 32980
3@%	32962	KILL SWITCH, SEARS	1	
4\$	21865	SEAT ADJUSTER KIT, MICHIGAN .....	1.....	INCLUDES ITEMS W/#
5@%	32964	SEAT ADJUSTER LH, SEARS	1	
6@%	32965	SEAT ADJUSTER RH, SEARS	1	
7#	0400 B	SCREW, HHC 5/16-8 X 1/2"	4	
8	17118	SCREW, SHC, 3/8-16 X 3/4"	4	
9	21597	BUMPER, STEM 1.0"D X .5S X .31	3	
10	25307	SCREW, HHC M6-1.0 X 50 MM	4	
11	12287	SCREW, THP 1/4-20 X 3/4" SS	4	
12	20685	BLOCK, OPERATOR SEAT PIVOT	2	
14	42352	NUT, HEX, SERRATED-FLANGE, M6-1.0	4	
15	42069	PLATE, SEAT	1	
17	49071	NUT, FLANGED, 5/16-18 SERRATED	4	
18	45572	SEAT FRAME .....	1.....	INCLUDES ITEMS W/+
20	32606	SCREW, HHC M14, 2.0 X 90MM, CLASS 10.9	4	
21+	42496	RIVNUT, HALF HX BODY, LG FLANGE, M6 X 1.0	19	
22	42542	SCREW HFS, ZP, M6-1.0 X 16	2	
23	21544	CLAMP, 2-3/16 ID	2	
24	42005	SCREW, HHF M8-1.25 X 60MM ZINC	2	
25	42775	MOUNT, STEERING VALVE, TIER 4	1	
26	32282	VALVE ASSEMBLY, STEERING/PUMP STROKER	1	
27	23802	NUT, HEX FLANGE M8-1.25 SERRATED	2	

# STEERING/PUMP STROKER ASSY.



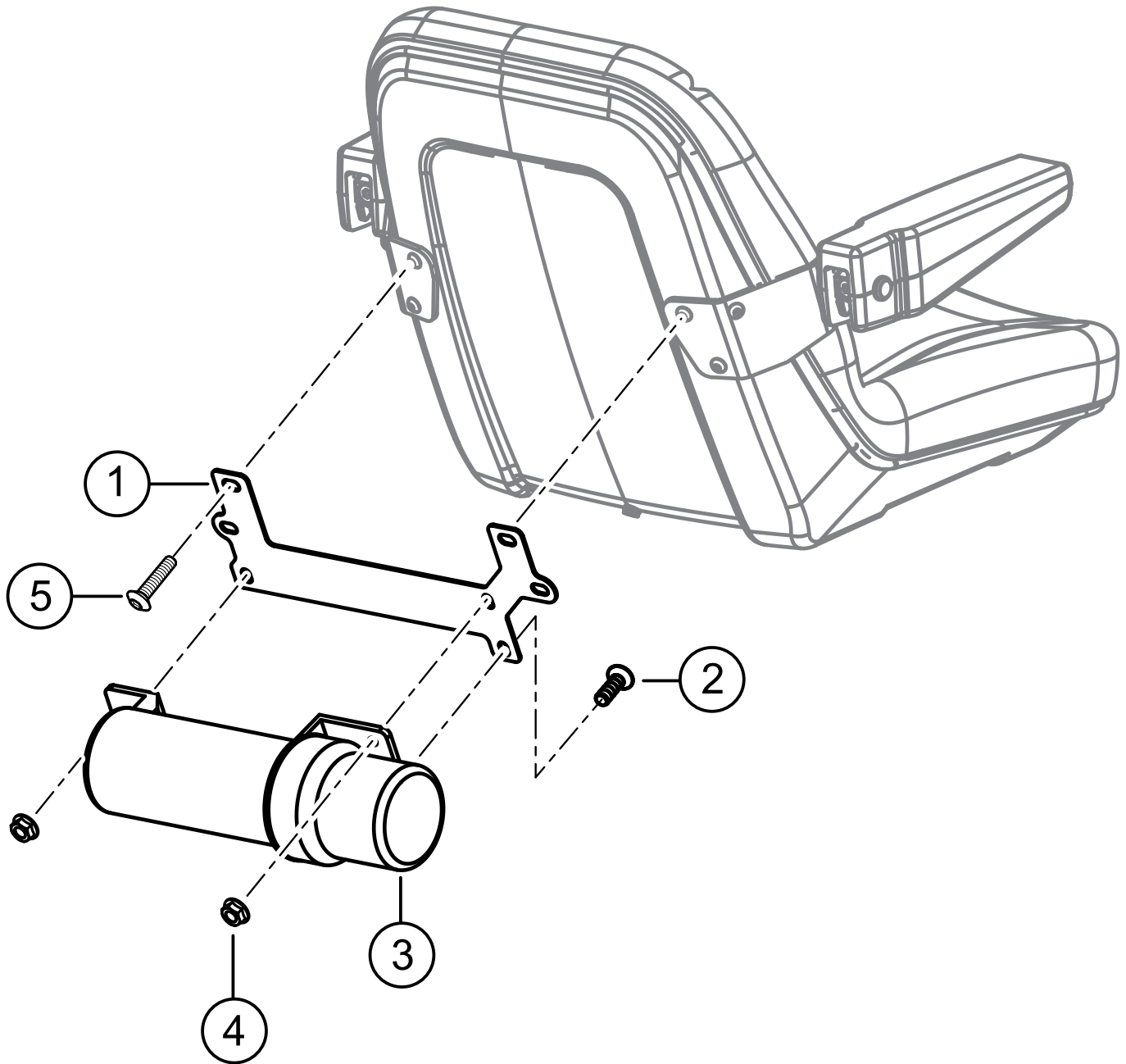
## STEERING/PUMP STROKER ASSY.

---

<u>NO.</u>	<u>PART NO.</u>	<u>PART NAME</u>	<u>QTY.</u>	<u>REMARKS</u>
1	32282	VALVE ASSY., STEERING/PUMP STROKER	1	
2	32256	FITTING, 90 6FORFS x 6MORFS	1	
3	32341	FITTING, STR -6MORFS x -6MOR	1	
4	32733	FITTING, 90 4MORFS X 6MOR	1	
5	42942	FITTING, TEE 6MORFS X 6MOR	1	
6	32730	FITTING, STR 6 MO X 4 MORFS	1	
7	32426	FITTING, TEE 6MORFSx6FORFS	1	
8	32354	FITTING, 90 -6MORFS x -6MOR	1	
9	22835	VALVE, PROPORTIONAL-CP558-24-B-00-350-000	1	
10	22283	COIL, STROKER VALVE	1	
11	22831	VALVE, PRESSURE REDUCING-CP230-2-B-0-E-A-014	1	

# SEAT FRAME — DOCUMENT HOLDER ASSY.

---

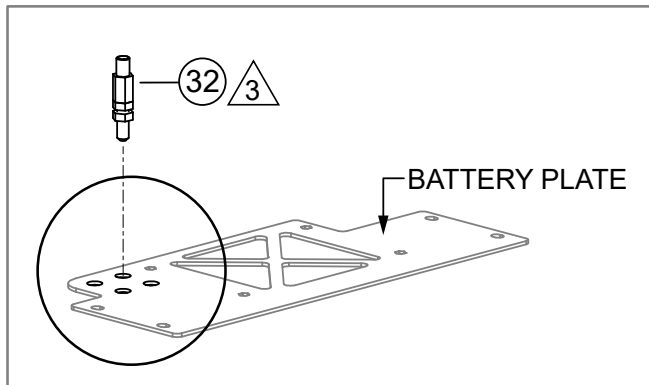
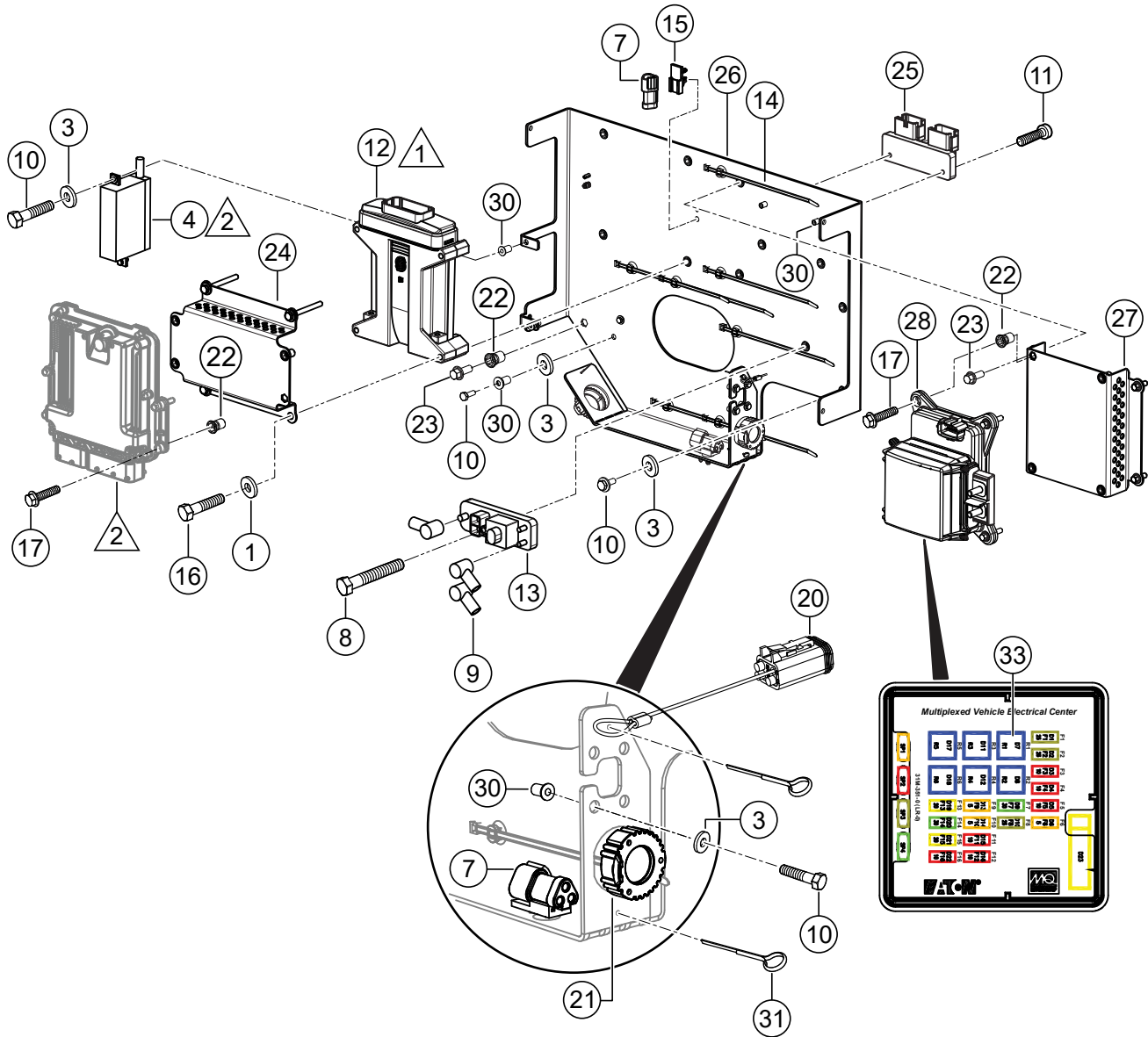


## **SEAT FRAME — DOCUMENT HOLDER ASSY.**

---

<u>NO.</u>	<u>PART NO.</u>	<u>PART NAME</u>	<u>QTY.</u>	<u>REMARKS</u>
1	42541	BRACKET, DOCUMENT HOLDER	1	
2	29712	BOLT, CARRIAGE, 1/4-20 X 3/4"	3	
3	23297	MANUAL HOLDER, PICTOGRAPH	1	
4	49070	NUT, FLANGED, 1/4-20 SERRATED PLTD	3	
5	21869	SCREW,CAP 5/16-18 x 5/8" SELF TAP BUTTON	6	

# ELECTRICAL CONTROL PANEL - TEST PORT ASSY.



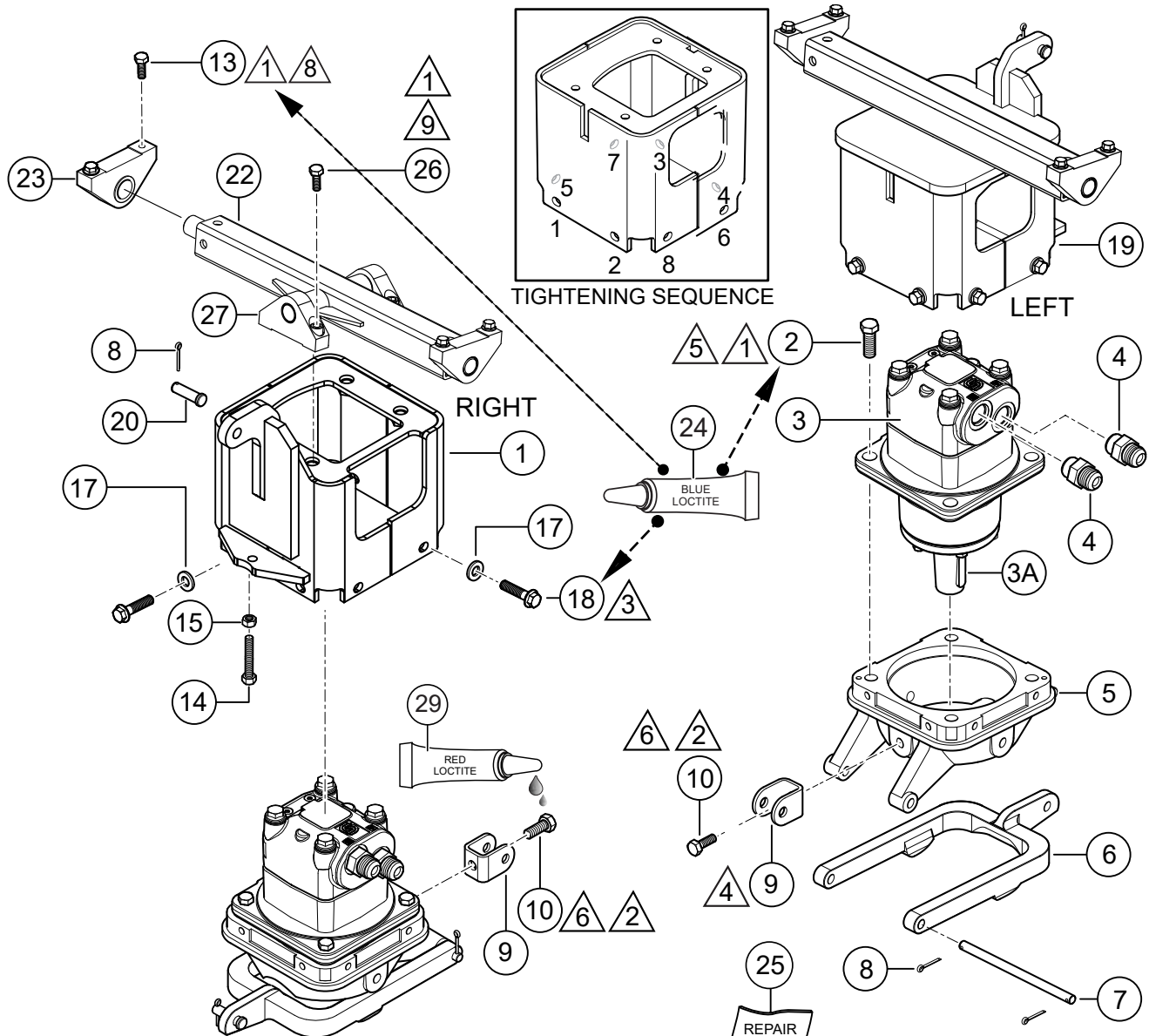
**NOTE:**

- ▲ 1 CONNECTS TO MAIN HARNESS.
- ▲ 2 INCLUDED WITH ENGINE.
- ▲ 3 HTX6H TEST PORTS

## ELECTRICAL CONTROL PANEL - TEST PORT ASSY.

<u>NO.</u>	<u>PART NO.</u>	<u>PART NAME</u>	<u>QTY.</u>	<u>REMARKS</u>
1	0948	WASHER, FLAT SAE 1/4	4	
3	15173	WASHER, FLAT, #8	9	
4	42602-50	FUSE BOX, HATZ	1	
7	22815	RECEPTACLE, RES. 120 OHM, DEUTSCH DT 3 POS	2	
8	25307	SCREW, HHC M6-1.0 X 50MM	1	
9	2762	BOOT, TERMINAL	3	
10	28922-083	SCREW, HHC M4-0.7 X 12MM	9	
11	35299	SCREW, PHP M4-0.7 X 25MM	2	
12	42072	CONTROLLER, MC 050-120	1	
13	42140	MODULE, POWER RELAY	1	
14	42315	TIE, CABLE ASM, FIR TREE MOUNT AND CABLE	7	
15	42328	CLIP, MOUNTING DEUTCH 2 PIN	3	
16	42339	SCREW, HHC, ZP, M6-1.0 x 60, CLASS 8.8	4	
17	42347	SCREW, HFS, ZP, M6-1.0 x 30, CLASS 8.8	8	
20	42440	LANYARD, 4-WAY PLUG, DT SERIES	1	
21	42442	CON. CAP, DEUTSCH, HD10, 9 PIN W/LANYARD	2	
22	42496	RIVNUT FASTENER, HALF HEX LONG FLNG M6X1	20	
23	42542	SCREW HFS, ZP, M6-1.0 X 16	5	
24	42704	BRACKET, HATZ ENGINE ECU MOUNT	1	
25	42713	BUSS BAR, DEUTSCH STYLE, 24 PIN	1	
26	42890	PANEL, STX/HTX DIESEL ELECTRICAL	1	
27	42891	BRACKET, FUSE PANEL MOUNT	1	
28	42893	FUSE BOX, HTX/STX T4	1	
30	49163	NUT, BLIND M4-1.0 x .020-.08 GRIP	11	
31	5117	PIN, COTTER 1/16Dx1/2	2	
32	32446	FITTING, SERVICE PORT -4MJ BLKHEAD	4	
33	43990	RELAY, 12V, 20A 4-PIN MICRO	6	

# PIVOT ASSY.



## NOTES:

① APPLY BLUE LOCTITE #242.

② APPLY RED LOCTITE #271.

③ APPLY MINIMAL AMOUNT OF LPS ANTI-SEIZE GREASE TO THREADS OF SCREW (ITEMS 18).  
 HAND START SCREWS. FOLLOWING TIGHTENING SEQUENCE (SEE DIAGRAM ABOVE).  
 TORQUE SCREW ASSEMBLY (FIRST PASS) TO A VALUE OF 21 FT-LBS (28.47 N.m). FOLLOW  
 SAME SEQUENCE FOR FINAL TORQUE OF 41 FT-LBS (55.59 N.m).

④ CLEAN WITH NON-PETROLEUM BASE CLEANER BEFORE INSTALLING ITEMS 9 AND 10.

⑤ TORQUE BOLTS TO 125FT-LB (169.48 N.m.)

⑥ TORQUE BOLTS TO 57FT-LB (77.28 N.m.)

⑦ TORQUE BOLTS TO 33FT-LB (44.74 N.m.)

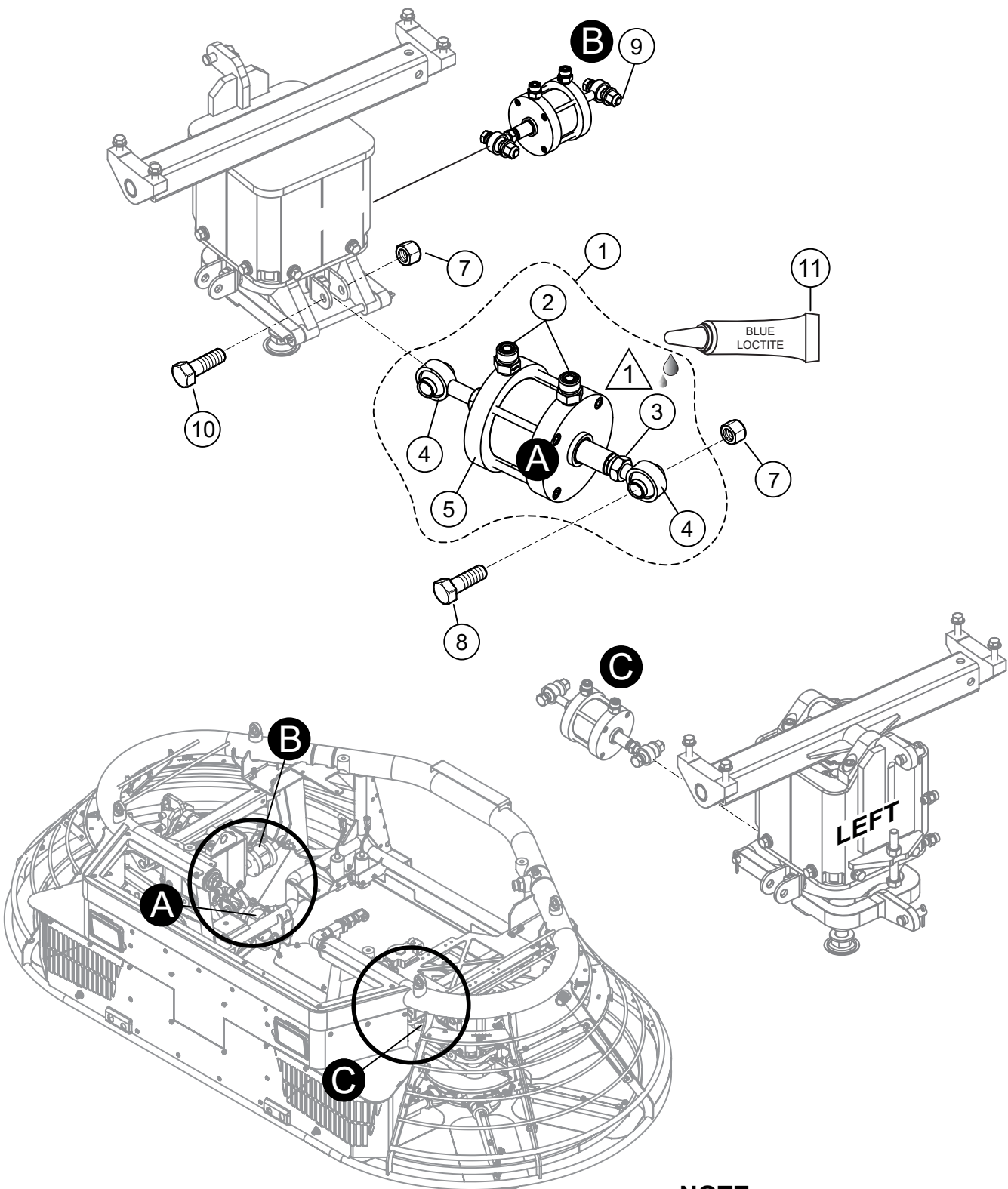
⑧ TORQUE BOLTS TO 23FT-LB (31.18 N.m.)

⑨ TORQUE BOLTS TO 76FT-LB (103.04 N.m.)

## PIVOT ASSY.

<u>NO.</u>	<u>PART NO.</u>	<u>PART NAME</u>	<u>QTY.</u>	<u>REMARKS</u>
1	42579	HOUSING, HYD MOTOR, RIGHT SIDE	1	
2	21376	SCREW, HHC 5/8-11 X 1-1/2"	8	
3A\$	11009878	SHAFT/BEARING HYD. MOTOR DANFOSS	2	
3	21856	MOTOR, HYD SAUER-DANFOSS.....	2.....	INCLUDES ITEMS W/\$
4	32357	FITTING, STR -10MORFS x -12MOR	4	
5	20643	HOUSING, LOWER MOTOR HSG	2	
6	22738	YOKE, PITCH-MACHINED	2	
7	21022	PIN, YOKE PIVOT	2	
8	0183	PIN, COTTER 1/8D X 1-1/4"	8	
9	20787	CLEVIS, STEERING CYLINDER	3	
10	2691	SCREW, SCREW, HHC 1/2-13 X 1"	3	
13	22106	SCREW, HHFS 3/8-16 X 1-1/4" ZN	8	
14	25002	SCREW, HHC 1/2-13 X 3-1/2" TAP	2	
15	968011	NUT, HEX FINISH 1/2-13	2	
17	21707	WASHER, FLAT 3/8 NORDLOC	16	
18	22228	SCREW, HHF 3/8-16 X 1.00" GRD 8	16	
19	42585	HOUSING, HYD MOTOR, LEFT SIDE	1	
20	22409	PIN, CLEVIS .50 X 1.50" STEEL ZINC PLTD	4	
22	42240	TRUNNION, SQ. DOUBLE DOF	1	
23	11555	PIVOT BLOCK ASSY., MOTOR MT W/BUSH	4	
24	1477	LOCTITE, #242, BLUE, 0.5CC BOTTLE	AR	
25	32113	SEAL KIT COMP	1	
26	17333	SCREW, SHC, M12 - 1.75 X 45" SS	4	
27	42280	BLOCK, MOTOR PIVOT, ASSEMBLY	2	
29	19379-014	LOCTITE, RED #271	AR	

# HYDRAULIC STEERING ASSY.



**NOTE:**

 APPLY BLUE LOCTITE #242.

## HYDRAULIC STEERING ASSY.

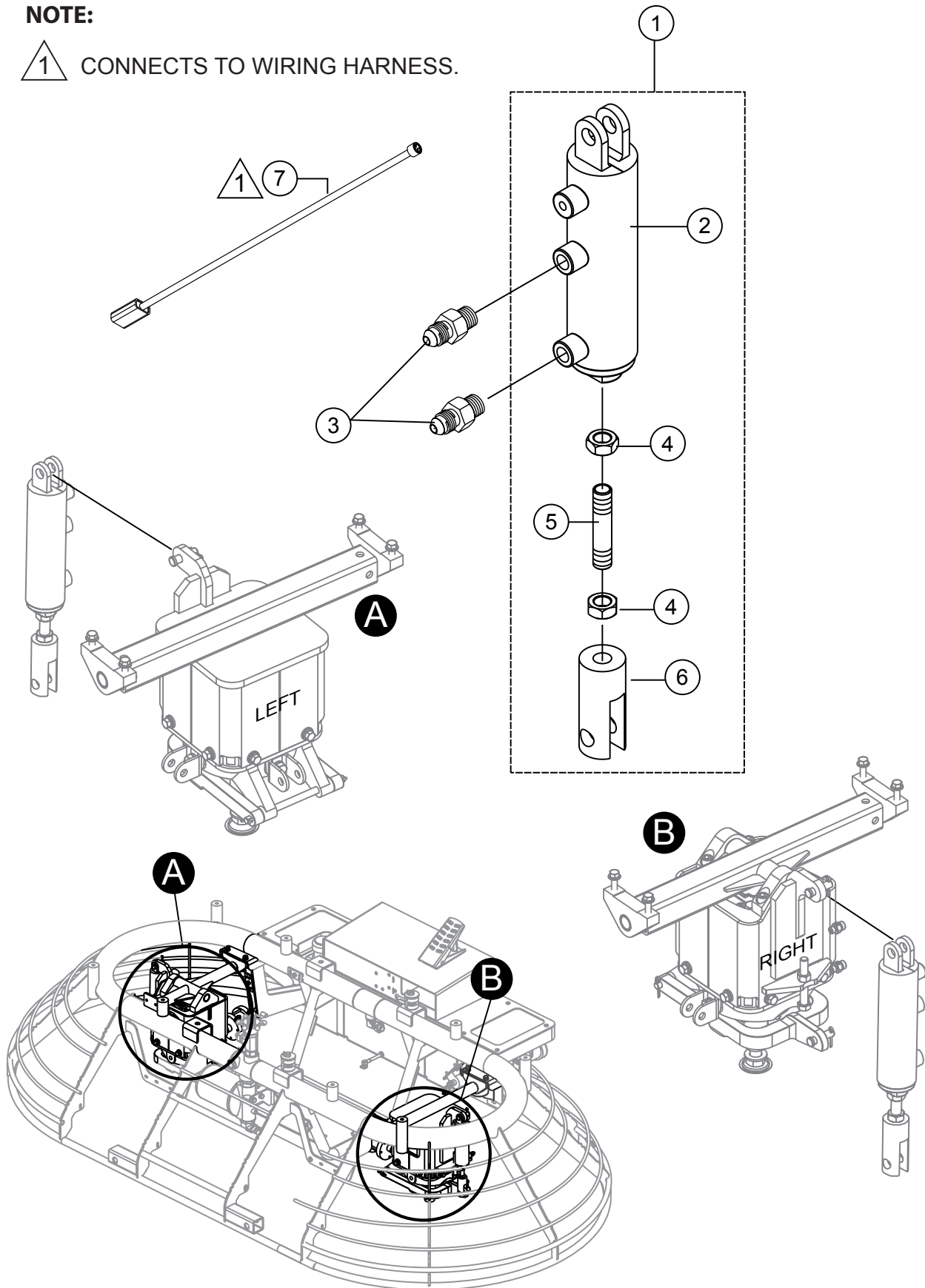
---

<u>NO.</u>	<u>PART NO.</u>	<u>PART NAME</u>	<u>QTY.</u>	<u>REMARKS</u>
1	42226	CYLINDER HYD. STEERING .....	2.....	INCLUDES ITEMS W/#
2#\$	32350	FITTING, STR -6MORFS X 1/4MP	6	
3#\$	11146	NUT, HEX JAM 1/2-20 PLATED	6	
4#\$	21944	ROD END, 1/2-20 M RH W/CUSTOM BALL	6	
5#\$	12056	CYL. 2.5" BORE X 1.5" STROKE X .75 ROD	3	
7#	10176	NUT, NYLOC 1/2-13	4	
7A\$	42451	NUT, HEX, SERRATED-FLANGE, M12-1.75	2	
8#	13178	SCREW, HHC 1/2-13 X 2-1/4"	2	
9	42317	CYLINDER, HYD. STEERING .....	1.....	INCLUDES ITEMS W/\$
10#\$	12318	SCREW, HHC 1/2-13 X 2 3/4"	2	
11	1477	LOCTITE, #242, BLUE, 0.5CC BOTTLE	AR	

# HYDRAULIC CYLINDER ASSY.

**NOTE:**

 1 CONNECTS TO WIRING HARNESS.

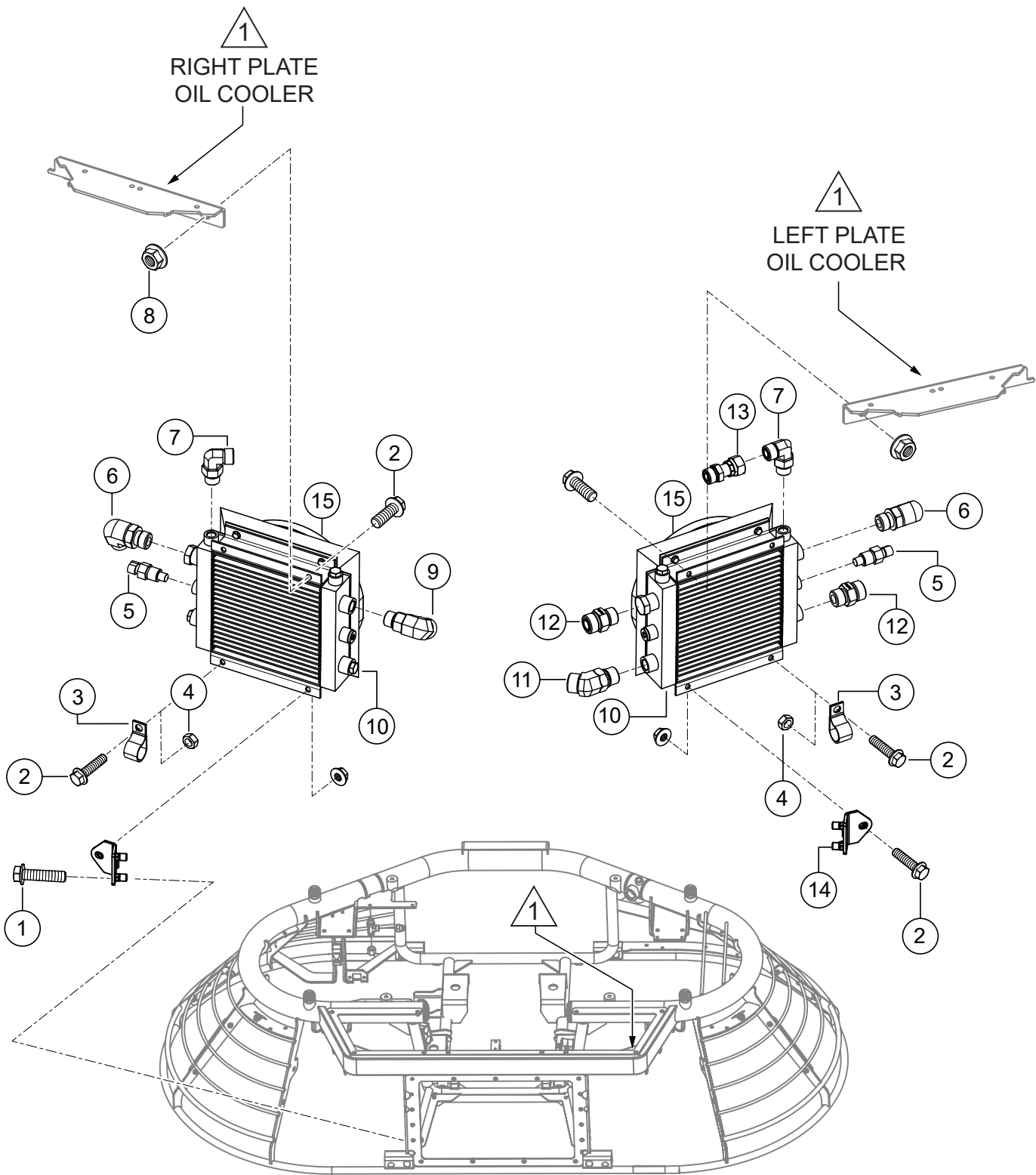


## HYDRAULIC CYLINDER ASSY.

---

<u>NO.</u>	<u>PART NO.</u>	<u>PART NAME</u>	<u>QTY.</u>	<u>REMARKS</u>
1	32706-SK	KIT, HYDRAULIC PITCH CYLINDER.....	2.....	INCLUDESITEMSW#
2#	32673	CYLINDER, POSITION PITCH	2	
3#	32340	FITTING, STR -4MORFS X -4MOR, RIGHT SIDE	4	
4#	11146	NUT, HEX JAM 1/2-20 PLATED	4	
5#	22279	SCREW, SHS 1/2-20 X 2.50"	2	
6#	23956	CLEVIS, SERVICE	1	
7	42035	WIRE, ASSEMBLY, SMART CYL. PIGTAIL	1	

# HYDRAULIC HEAT EXCHANGER ASSY. (L-R)



**NOTE:**

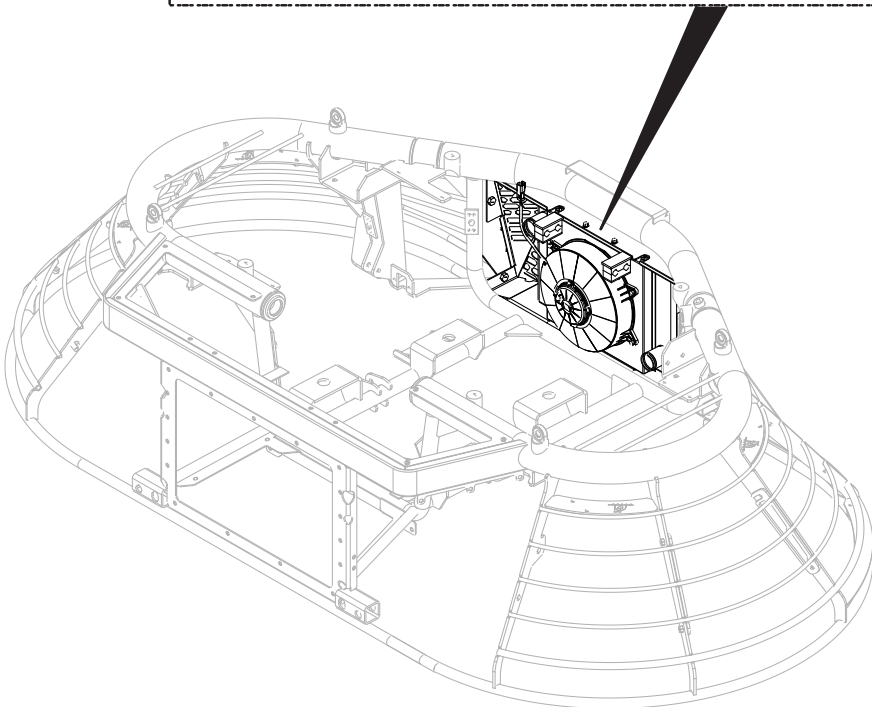
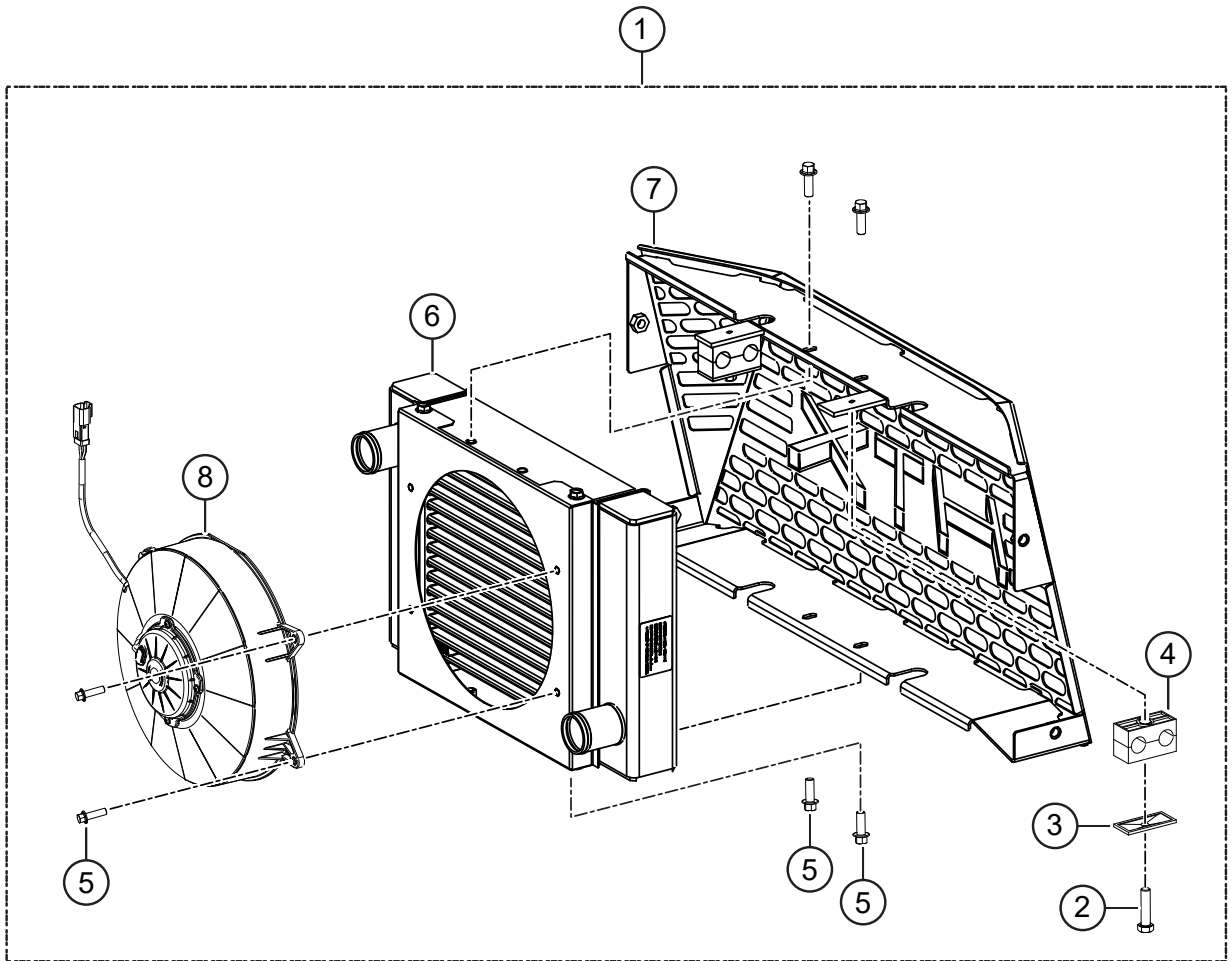
 WELDED TO FRAME

## **HYDRAULIC HEAT EXCHANGER ASSY. (L-R)**

---

<u>NO.</u>	<u>PART NO.</u>	<u>PART NAME</u>	<u>QTY.</u>	<u>REMARKS</u>
1	42542	SCREW HFS, ZP, M6-1.0 X 16	4	
2	42342	SCREW, HFS, ZP, M8-1.25 x 16, CLASS 8.8	8	
3	32083	CLAMP, LOOP-VINYL 1.0"DIA	2	
4	20440	NUT, HEX LOCK M8-1.25 THIN HHN	2	
5	22746	SENSOR, TEMPERATURE-HYD OIL	2	
6	32358	FITTING, 90 -10MORFS x -10MOR	2	
7	32718	FITTING, 90 8MORFS x 8MOR	2	
8	23802	NUT, HEX FLANGE M8-1.25 SERRATED	6	
9	42940	FITTING, 90 12MORFS X 10MOR	1	
10	42648	HEAT EXCHANGER, HYDRAULIC, TIER 4	2	
11	42939	FITTING, 45 10MORFS X 10MOR	1	
12	32342	FITTING, STR -10MORFS x -10MOR	2	
13	32721	FITTING, ORIFICE 8FORFS x 8MORFS x.094"	1	
14	42716	BRACKET, LOWER HYD. COOLER	2	
15	42648-1	FAN, HYDRAULIC HEAT EXCHANGER	2	

# CHARGE AIR COOLER ASSY.

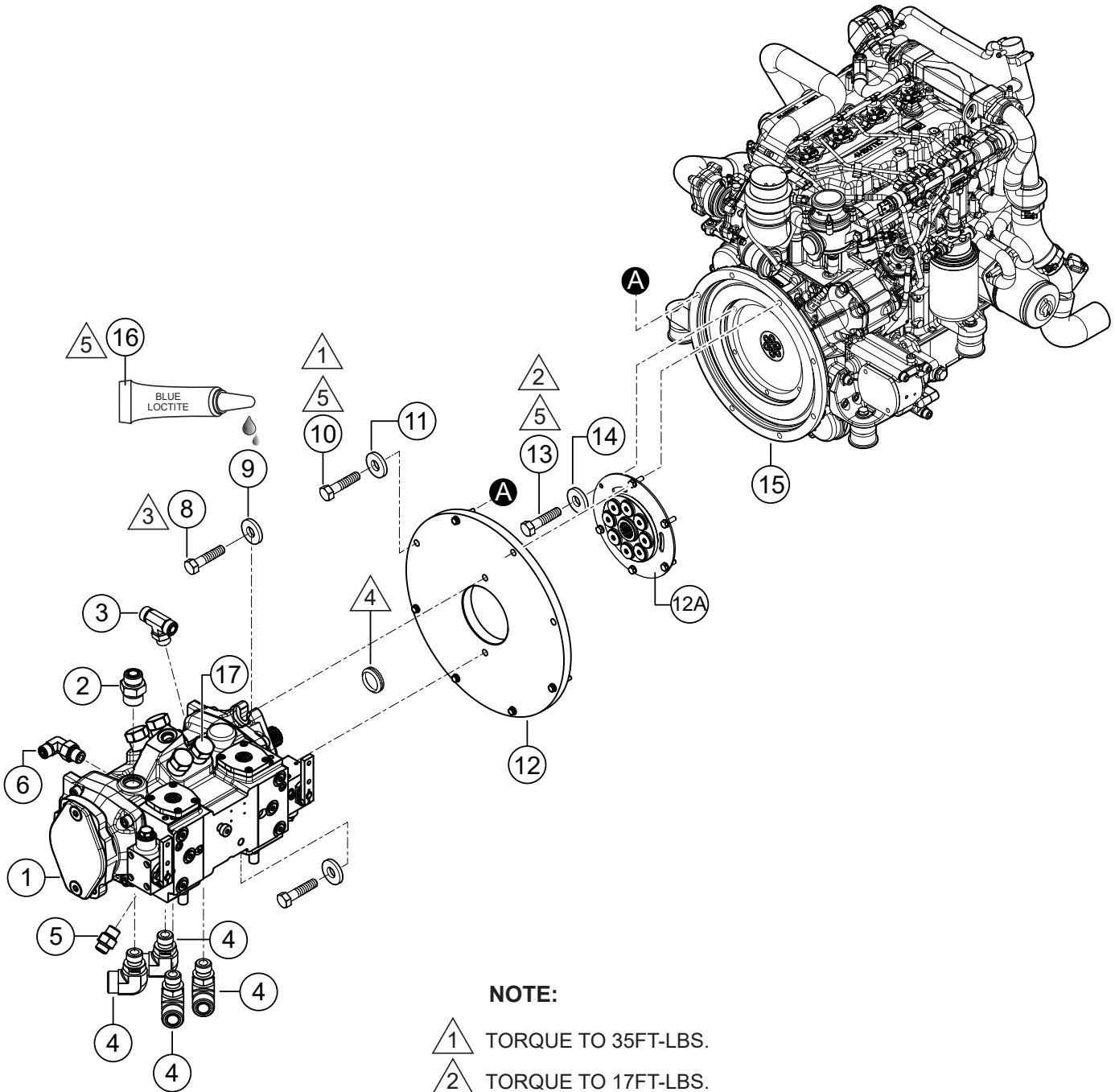


## CHARGE AIR COOLER ASSY.

---

<u>NO.</u>	<u>PART NO.</u>	<u>PART NAME</u>	<u>QTY.</u>	<u>REMARKS</u>
1	42577	CHARGE AIR COOLER .....	1.....	INCLUDES ITEMS W#
2#	1207	SCREW, HHC 5/16-18 X 1 3/4"	2	
3#	20912	COVER, 0.75 OD TUBE STAUFF	2	
4#	20913	CLAMP, 0.75 OD TUBE STAUFF	2	
5#	42343	SCREW, HFS, ZP, M8-1.25 x 20, CLASS 8.8	8	
6#	42559	COOLER, HATZ 4H50TIC CHARGE AIR	1	
7#	42892	MOUNT, CHARGE AIR COOLER W/A,	1	
8#	42954	FAN, 10" PUSHER, AXIAL MOTOR	1	

# PUMP FITTINGS ASSY.



**NOTE:**

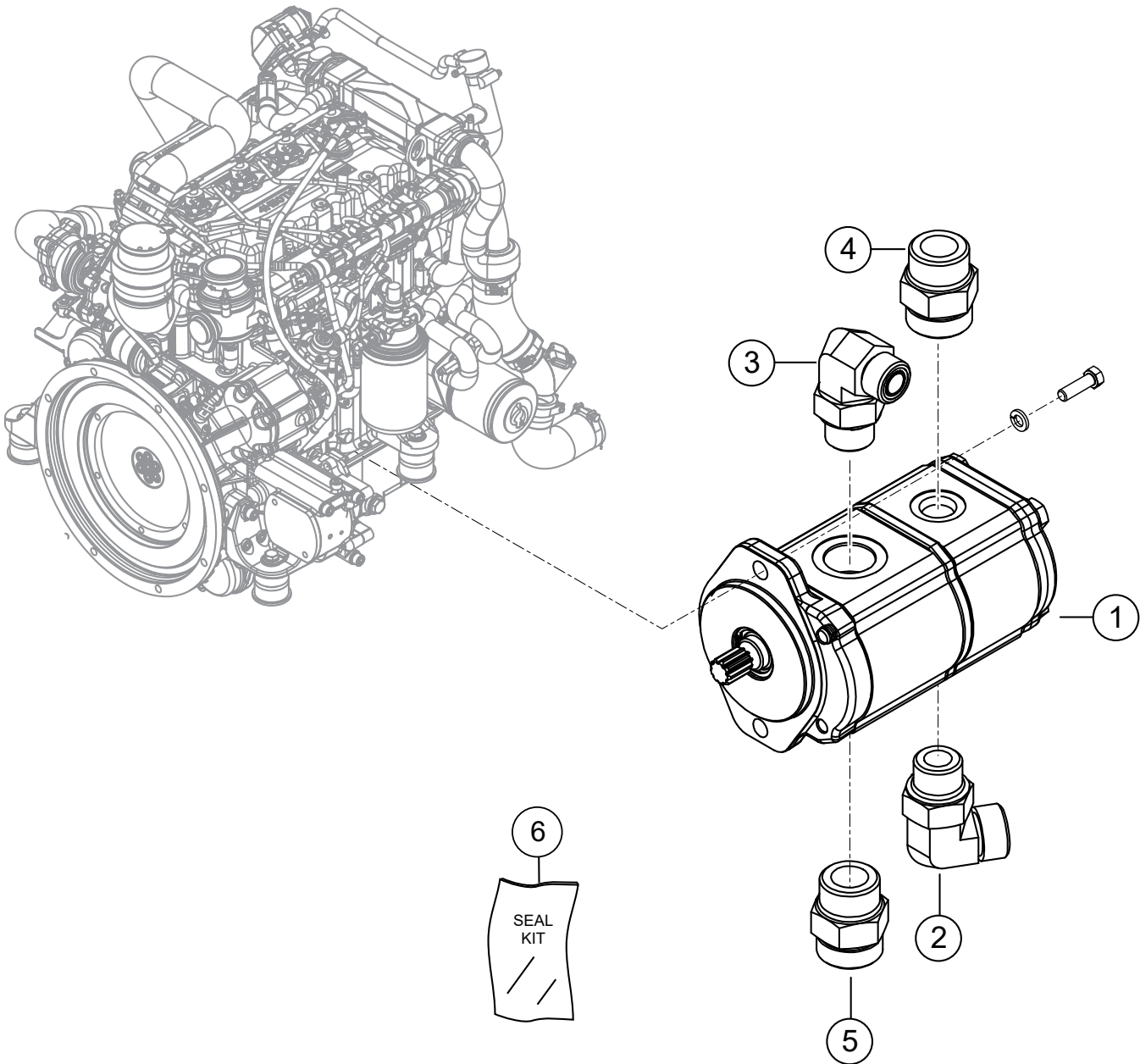
- 1** TORQUE TO 35FT-LBS.
- 2** TORQUE TO 17FT-LBS.
- 3** TORQUE TO 57FT-LBS. SET TORQUE WRENCH TO 47FT-LBS WHEN USING 3IN LONG EXTENSION AND A 14IN LONG TORQUE WRENCH (MEASURE BETWEEN SQUARE DRIVE AND CENTER OF HANDLE)
- 4** APPLY SEAL & GREASE SUPPLIED WITH ADAPTER TO SHAFT OF PUMP.
- 5** APPLY BLUE LOCTITE #242.

## **PUMP FITTINGS ASSY.**

---

<b><u>NO.</u></b>	<b><u>PART NO.</u></b>	<b><u>PART NAME</u></b>	<b><u>QTY.</u></b>	<b><u>REMARKS</u></b>
1	42611	PUMP ASM, 45 CC, MECHANICAL, PISTON	1	
2	32357	FITTING, STR -10MORFS x -12MOR	1	
3	32713	FITTING, BRANCH TEE 8MORFS x 8MOR	1	
4	32363	FITTING, 90 12MOR x 10MORFS	4	
5	32730	FITTING, STR 6 MO X 4 MORFS	1	
6	32733	FITTING, 90 4MORFS X 6MOR	1	
8	5218	SCREW, HHC, 1/2-13 X 1-1/2"	2	
9	16630	WASHER, FLAT 1/2 SAE, HI STREN	2	
10	21854	SCREW, HHC, M10-1.5 X .312	8	
11	940358	WASHER, FLAT, 10MM ID X 20MM OD	8	
12	42628	ADAPTOR, 14T SAE 5 PUMP	1	
12A	42628-1	COUPLER, REX-ROTH, PUMP	1	
13	1605	SCREW, HHC, M8-1.25 X 25MM	6	
14	25591	WASHER, M8	6	
15	42602	ENGINE, HATZ	1	
16	1477	LOCTITE, #242, BLUE, 0.5CC BOTTLE	AR	
17	42611-1	VALVE, PRES. RELIEF, 300 BAR, HTX6H-STX6H	2	

# FIXED PUMP FITTINGS ASSY.

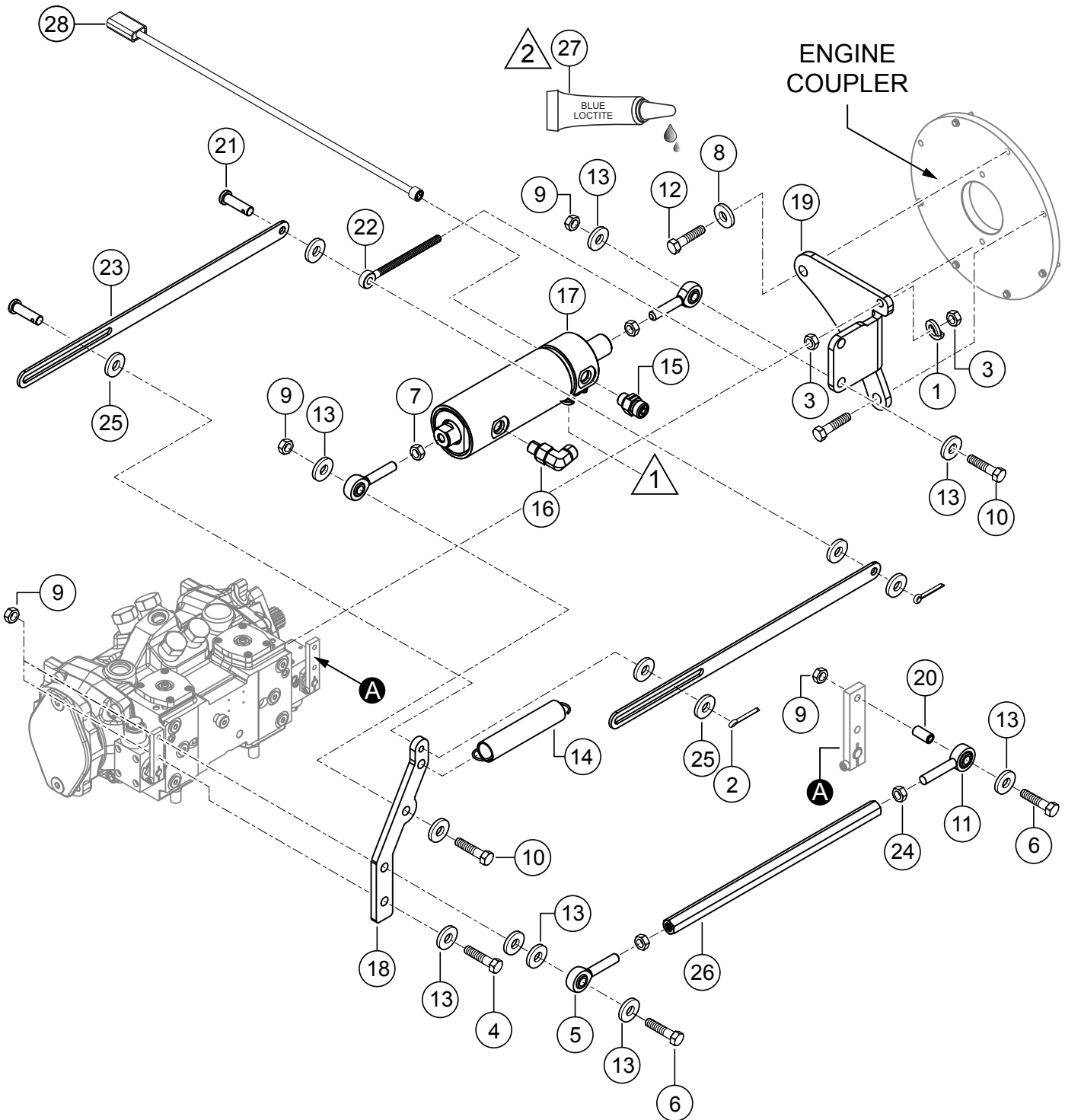


## FIXED PUMP FITTINGS ASSY.

---

<u>NO.</u>	<u>PART NO.</u>	<u>PART NAME</u>	<u>QTY.</u>	<u>REMARKS</u>
1	42612	PUMP, FIXED 19 CC/8 CC GEAR CHARGE	1	
2	32362	FITTING, 90° 12MOR x 12 MORFS	1	
3	32712	FITTING, 90° 8MORFS x 12MOR	1	
4	32716	FITTING, STR 6MORFS x 8MOR	1	
5	32742	FITTING, STR 16MORFS X 16MOR	1	
6	42612-01	KIT, SEAL	1	

# PUMP LEVERS ASSY.



## NOTE:

1 CONNECTS TO WIRING HARNESS.

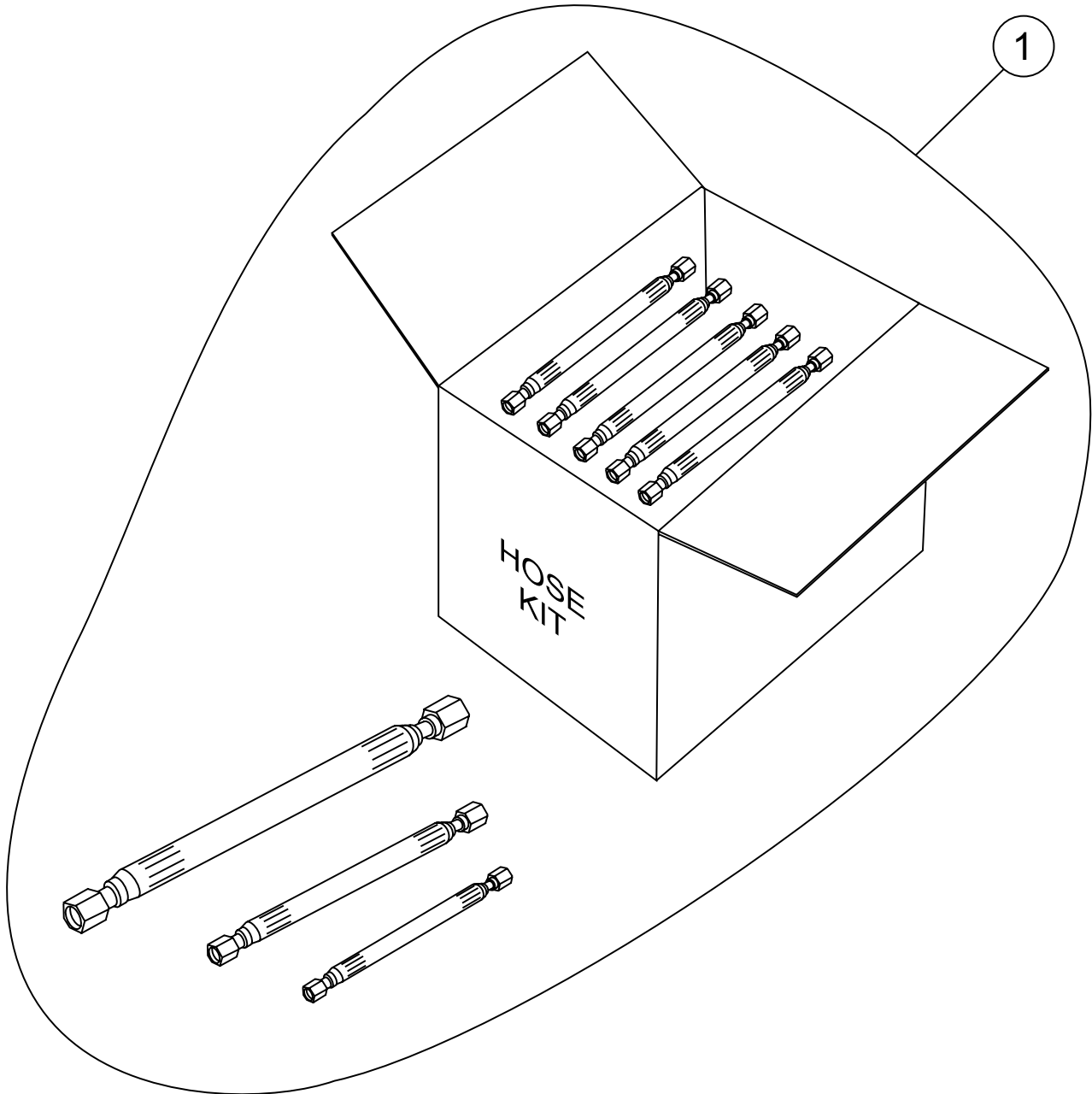
2 APPLY BLUE LOCTITE #242.

## PUMP LEVERS ASSY.

<u>NO.</u>	<u>PART NO.</u>	<u>PART NAME</u>	<u>QTY.</u>	<u>REMARKS</u>
1	0181 B	WASHER, LOCK 1/4 MED	1	
2	0683	PIN, COTTER 3/32" D x 3/4"	2	
3	0949	NUT, HEX FINISH 1/4-20 PLATED	2	
4	1605	SCREW, HHC M8-1.25 X 25MM	1	
5	1723	ROD END, 5/16-24 MALE RH	3	
6	1928	SCREW, HHC M8-1.25 X 40MM	2	
7	6014 C	NUT, HEX FINISH 5/16-24	3	
8	17110	WASHER, FLAT 10MM ZN	6	
9	20440	NUT, HEX LOCK M8-1.25 THIN	2	
10	20983	SCREW, HHC M8-1.25 X 30 MM	2	
11	21262	ROD END 5/16-24 X .312 MALE LH-HD	1	
12	21584	SCREW, HHC M10-1.5 X 35MM GR 10.9	1	
13	25591	WASHER, M8	7	
14	22716	SPRING,EXT .75" OD x 4.5" x .062"	1	
15	32340	FITTING, STR -4MORFS x -4MOR	1	
16	32347	FITTING, 90° 4MORFS x 4MOR	1	
17	32674	CYLINDER, PUMP STROKING	1	
18	42620	ARM, SWASH PLATE, REXROTH PUMP	1	
19	42622	BOLT PLATE, CYLINDER, REXROTH - HATZ	1	
20	34810	SPACER, .32 I.D. X .41 O.D. X .44L	1	
21	42835	PIN, STROKE STOP CLEVIS	2	
22	42836	RODEND, STROKE STOP	1	
23	42837	STRAP, STROKE STOP	2	
24	8131	NUT, FINISH, LH, 5/16-24	1	
25	42840	WASHER, NYLON, 1/4 X 0.5 OD	5	
26	42895	ROD, STROKE LEVER CONNECTION, T4	1	
27	1477	LOCTITE, #242, BLUE, 0.5CC BOTTLE	AR	
28	42035	WIRE, ASSEMBLY, SMART CYL. PIGTAIL	1	

# HYDRAULIC HOSE KIT ASSY. COMPLETE

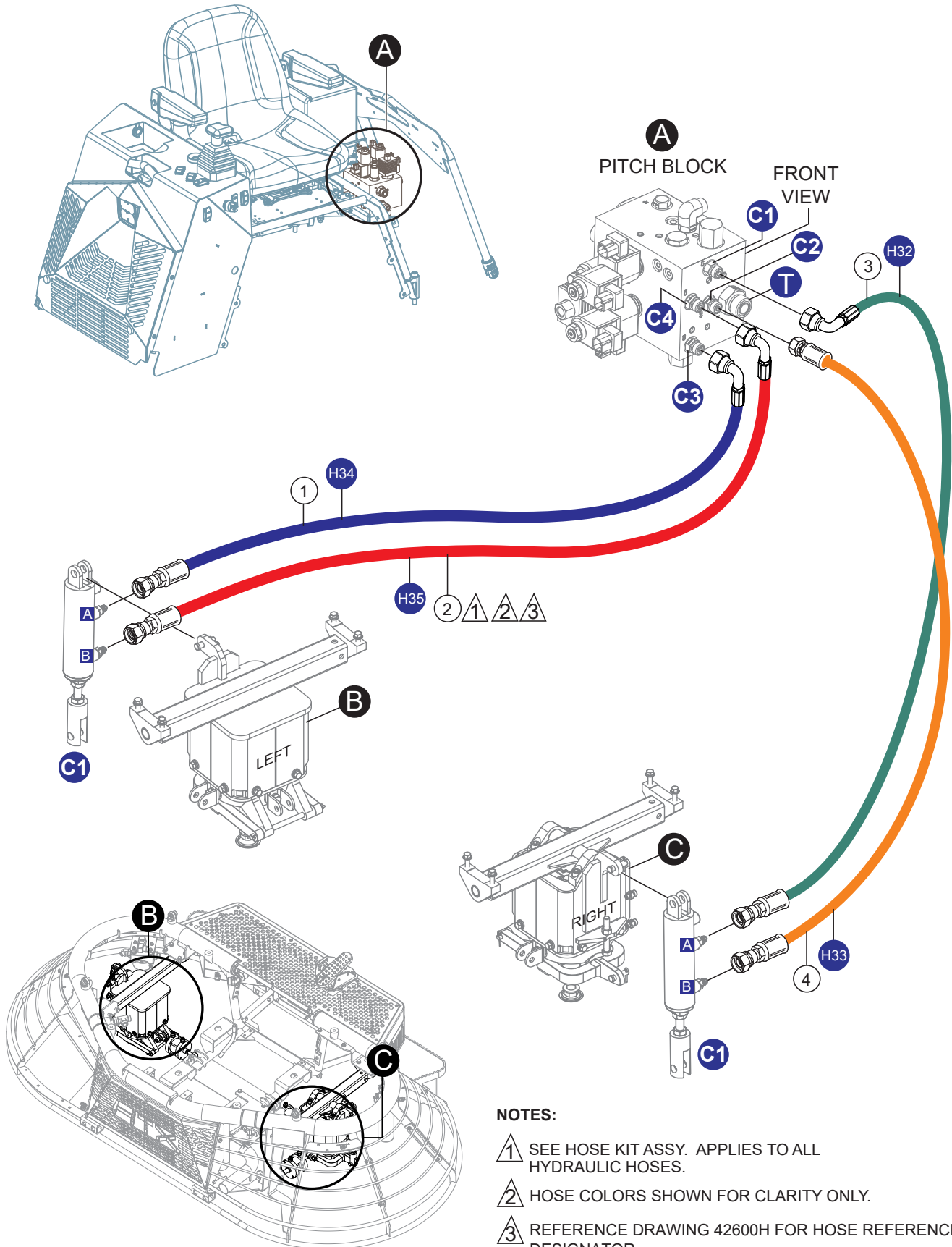
---



## HYDRAULIC HOSE KIT ASSY. COMPLETE

NO.	PART NO.	PART NAME	QTY.	REMARKS
1	42764	HOSE KIT ASSY.....	1.....	INCLUDES ITEMS BELOW
	42844	HOSE ASSY., 5/8"x39.5 10FFORX90Sx10FFORX 5.....	1.....	HOSE 1
	42844	HOSE ASSY., 5/8"x39.5 10FFORX90Sx10FFORX 5.....	1.....	HOSE 2
	42845	HOSE ASSY., 5/8"x27.75 10FFORX90Sx10FFORX.....	3.....	HOSE 3
	42846	HOSE ASSY., 5/8"x57.5 10FFORXx10FFORX.....	1.....	HOSE 4
	42847	HOSE ASSY., 5/8"x16.5 10FFORXx10FFORX.....	1.....	HOSE 5
	42848	HOSE ASSY., 5/8"x14.875 10FFORX90Sx10FFORX.....	1.....	HOSE 6
	42849	HOSE ASSY., 1/2"x45.25 8FFORXx8FFORX.....	1.....	HOSE 7
	42850	HOSE ASSY., 5/8"x30.25 10FFORX90Sx10FFORX.....	1.....	HOSE 8
	42851	HOSE ASSY., 3/4"x29 12FFORXx12FFORX90S.....	1.....	HOSE 9
	42852	HOSE ASSY., 1"x32.5 16FFORXx16FFORX90S.....	1.....	HOSE 10
	42853	HOSE ASSY., 3/4"x20 12FFORX90Sx12FFORX.....	1.....	HOSE 11
	42854	HOSE ASSY., 1/2"x34 8FFORXx8FFORX45S.....	1.....	HOSE 12
	42855	HOSE ASSY., 1/2"x18.5 8FFORXx8FFORX.....	1.....	HOSE 13
	42856	HOSE ASSY., 3/8"x54.25 6FFORX90Sx6FFORX.....	1.....	HOSE 14
	42857	HOSE ASSY., 1/2"x16.5 8FFORX90Sx8FFORX.....	1.....	HOSE 15
	42858	HOSE ASSY., 1/2"x 28 8FFORXx8FFORX.....	1.....	HOSE 16
	42859	HOSE ASSY., 1/2"x 30 8FFORX90Sx8FFORX.....	1.....	HOSE 17
	42860	HOSE ASSY., 1/4"x37.5 4FFORX90Sx4FFORX 5K.....	1.....	HOSE 18
	42861	HOSE ASSY., 3/8"x20.125 6FFORXx6FFORX.....	1.....	HOSE 19
	42862	HOSE ASSY., 1/4"x47.5 4FFORXx4FFORX90S.....	1.....	HOSE 20
	42863	HOSE ASSY., 1/4"x30.75 4FFORXx4FFORX90S.....	1.....	HOSE 21
	42864	HOSE ASSY., 3/8"x109 6FFORX90Sx6FFORX.....	1.....	HOSE 22
	42864	HOSE ASSY., 3/8"x109 6FFORX90Sx6FFORX.....	1.....	HOSE 24
	42865	HOSE ASSY., 3/8"x60.375 6FFORXx6FFORX.....	1.....	HOSE 23
	42867	HOSE ASSY., 3/8"x58.5 6FFORXx6FFORX.....	1.....	HOSE 25
	42867	HOSE ASSY., 3/8"x58.5 6FFORXx6FFORX.....	1.....	HOSE 27
	42868	HOSE ASSY., 3/8"x57.5 6FFORX90Sx6FFORX.....	1.....	HOSE 26
	42870	HOSE ASSY., 3/8"x52.75 6FFORXx6FFORX.....	1.....	HOSE 28
	42871	HOSE ASSY., 3/8"x55.5 6FFORX90Sx6FFORX.....	1.....	HOSE 29
	42872	HOSE ASSY., 3/8"x53 6FFORXx6FFORX.....	1.....	HOSE 30
	42873	HOSE ASSY., 3/8"x52.125 6FFORXx6FFORX.....	1.....	HOSE 31
	42874	HOSE ASSY., 1/4"x40.5 4FFORX90Sx4FFORX.....	1.....	HOSE 32
	42875	HOSE ASSY., 1/4"x44.25 4FFORXx4FFORX.....	1.....	HOSE 33
	42876	HOSE ASSY., 1/4"x88.875 4FFORX90Sx4FFORX.....	1.....	HOSE 34
	42877	HOSE ASSY., 1/4"x89.25 4FFORX90Sx4FFORX.....	1.....	HOSE 35
	42878	HOSE ASSY., 3/8"x17.5 6FFORX90Sx6FFORX.....	1.....	HOSE 36
	42879	HOSE ASSY., 3/4"x18.5 12FFORXx12FFORX.....	1.....	HOSE 37
	42880	HOSE ASSY., 1/4"x21.75 4FFORXx4FFORX.....	1.....	HOSE 38
	42881	HOSE ASSY., 3/4"x14.625 12FFORXx12FFORX90S.....	1.....	HOSE 39
	42882	HOSE ASSY., 1/4"x49.38 4FFORX90Sx4FFORX 5K.....	1.....	HOSE 40
	42883	HOSE ASSY., 1/4"x41.75 4FFORX90Sx4FFORX 5K.....	1.....	HOSE 41
	42884	HOSE ASSY., 1/4"x31.75 4FFORX90Sx4FFORX 5K.....	1.....	HOSE 42
	42885	HOSE ASSY., 1/4"x26.25 4FFORXx4FFORX90S.....	1.....	HOSE 43

# HYD. HOSE ASSY. (P. BLOCK PORTS C1 ~C4)



**NOTES:**

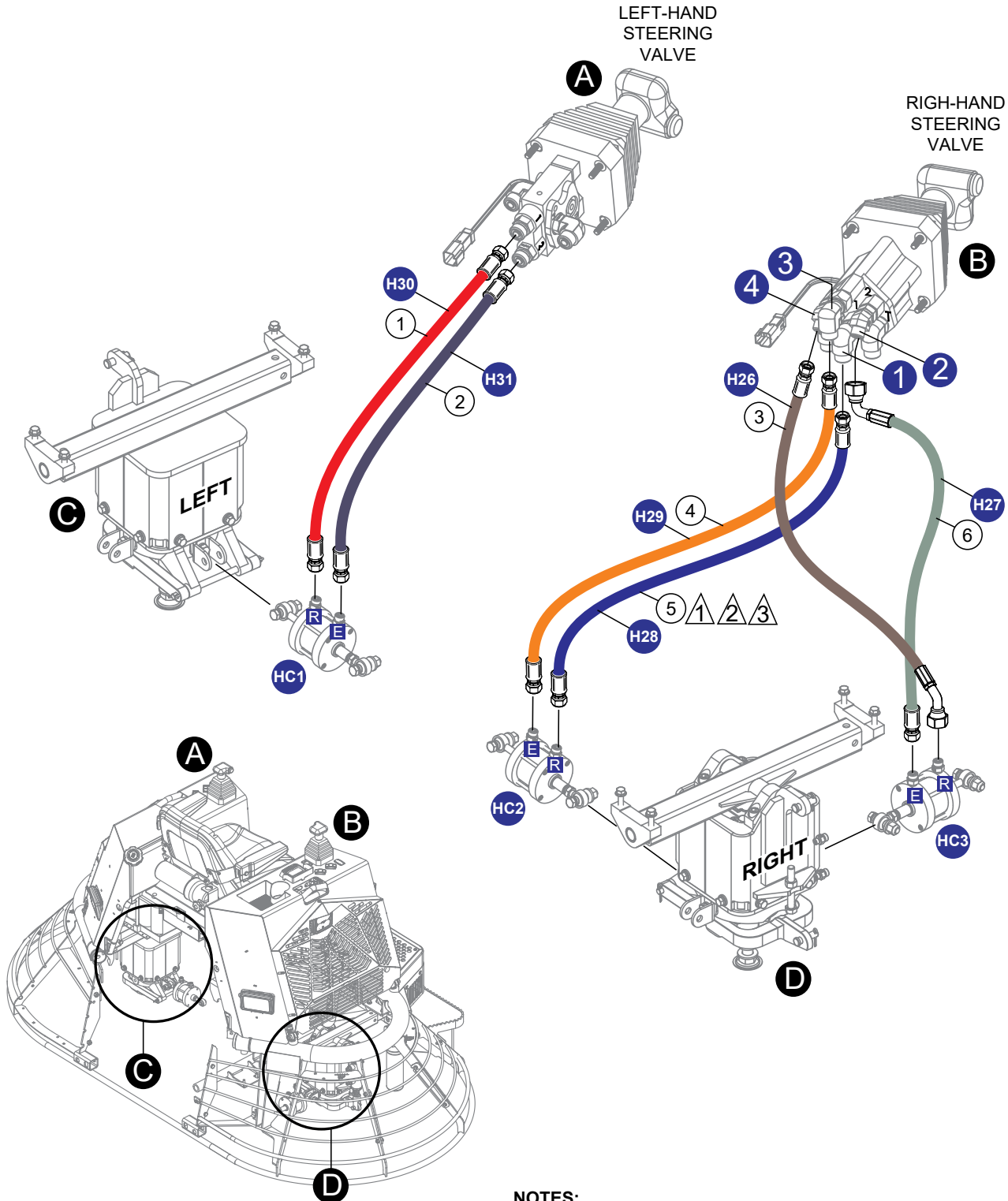
- ① SEE HOSE KIT ASSY. APPLIES TO ALL HYDRAULIC HOSES.
- ② HOSE COLORS SHOWN FOR CLARITY ONLY.
- ③ REFERENCE DRAWING 42600H FOR HOSE REFERENCE DESIGNATOR.

## **HYD. HOSE ASSY. (P. BLOCK PORTS C1 ~C4)**

---

<u>NO.</u>	<u>PART NO.</u>	<u>PART NAME</u>	<u>QTY.</u>	<u>REMARKS</u>
1	42876	HOSE ASSY., 1/4"x88.875 4FFORX90Sx4FFORX.....	1.....	HOSE 34
2	42877	HOSE ASSY., 1/4"x89.25 4FFORX90Sx4FFORX.....	1.....	HOSE 35
3	42874	HOSE ASSY., 1/4"x40.5 4FFORX90Sx4FFORX.....	1.....	HOSE 32
4	42875	HOSE ASSY., 1/4"x44.25 4FFORXx4FFORX .....	1.....	HOSE 33

# HYD. HOSE ASSY. (LH-RH STEERING VALVES #1)



**NOTES:**

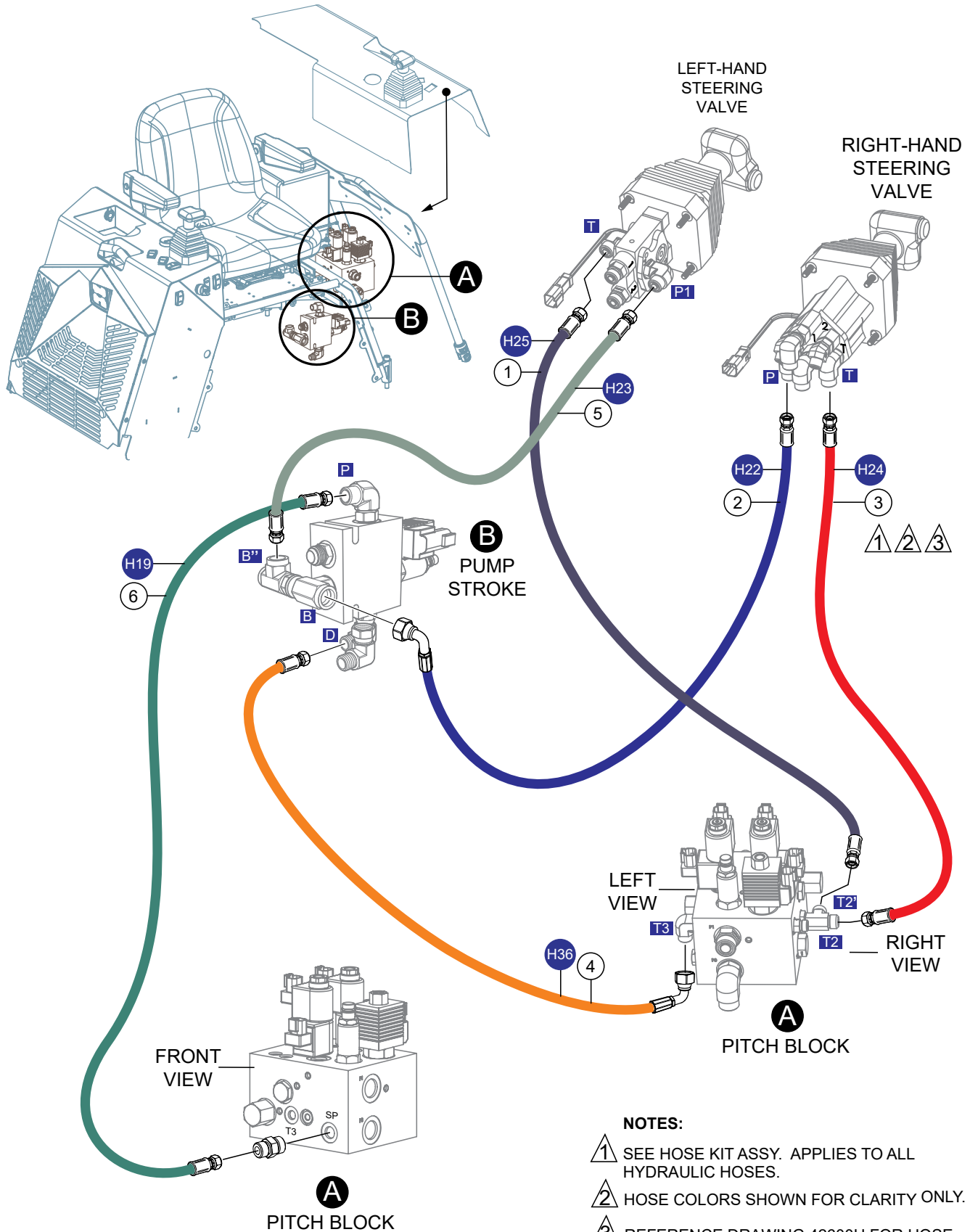
- ① SEE HOSE KIT ASSY. APPLIES TO ALL HYDRAULIC HOSES.
- ② HOSE COLORS SHOWN FOR CLARITY ONLY.
- ③ REFERENCE DRAWING 42600H FOR HOSE REFERENCE DESIGNATOR.

## HYD. HOSE ASSY. (LH-RH STEERING VALVES #1)

---

<u>NO.</u>	<u>PART NO.</u>	<u>PART NAME</u>	<u>QTY.</u>	<u>REMARKS</u>
1	42872	HOSE ASSY., 3/8"x53 6FFORXx6FFORX .....	1.....	HOSE 30
2	42873	HOSE ASSY., 3/8"x52.125 6FFORXx6FFORX .....	1.....	HOSE 31
3	42868	HOSE ASSY., 3/8"x57.5 6FFORX90Sx6FFORX .....	1.....	HOSE 26
4	42871	HOSE ASSY., 3/8"x55.5 6FFORX90Sx6FFORX.....	1.....	HOSE 29
5	42870	HOSE ASSY., 3/8"x52.75 6FFORXx6FFORX .....	1.....	HOSE 28
6	42867	HOSE ASSY., 3/8"x58.5 6FFORXx6FFORX .....	1.....	HOSE 27

# HYD. HOSE ASSY. (LH-RH STEERING VALVES #2)



## HYD. HOSE ASSY. (LH-RH STEERING VALVES #2)

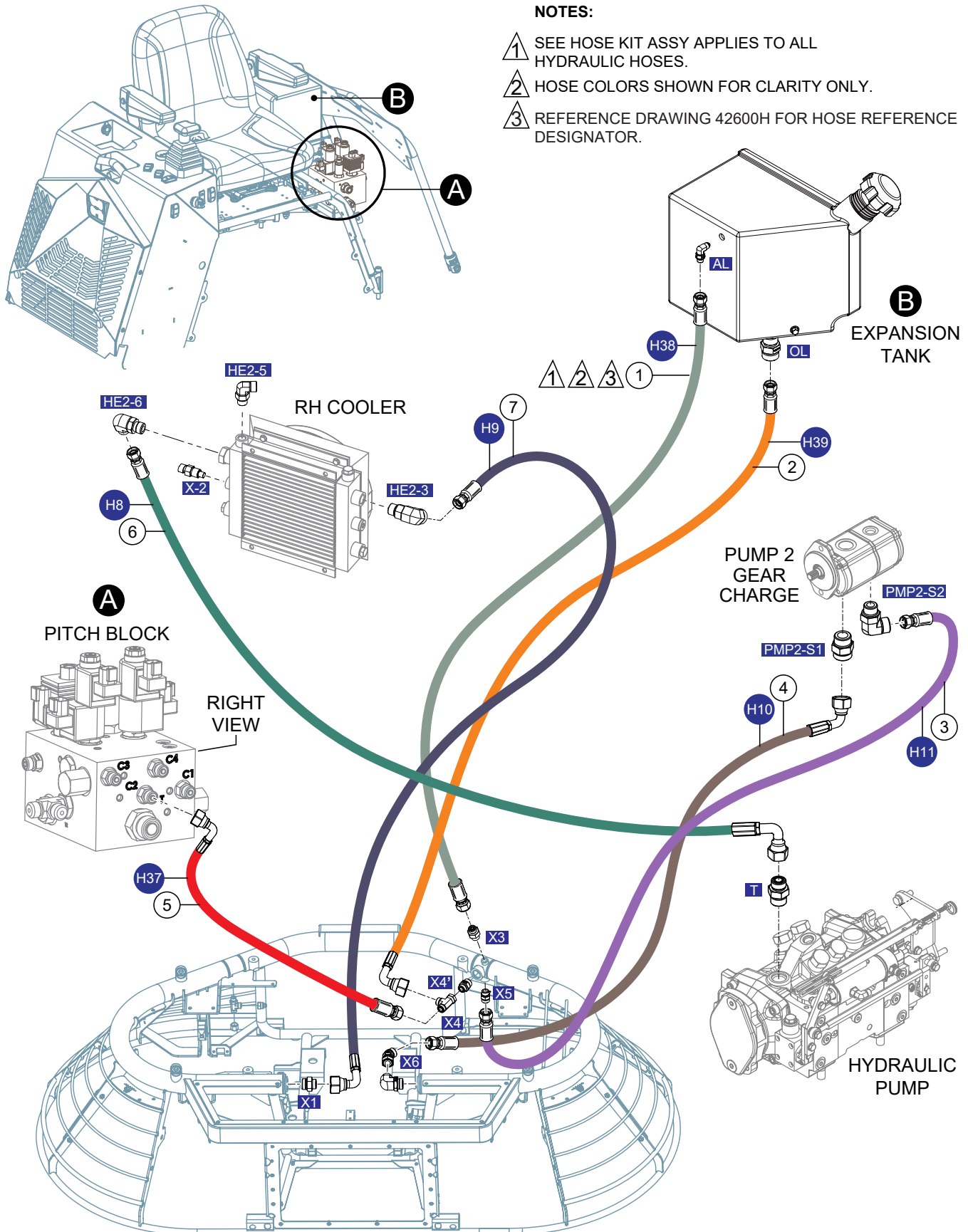
---

<u>NO.</u>	<u>PART NO.</u>	<u>PART NAME</u>	<u>QTY.</u>	<u>REMARKS</u>
1	42867	HOSE ASSY., 3/8"x58.5 6FFORXx6FFORX .....	1.....	HOSE 25
2	42864	HOSE ASSY., 3/8"x109 6FFORX90Sx6FFORX.....	1.....	HOSE 22
3	42864	HOSE ASSY., 3/8"x109 6FFORX90Sx6FFORX.....	1.....	HOSE 24
4	42878	HOSE ASSY., 3/8"x17.5 6FFORX90Sx6FFORX.....	1.....	HOSE 36
5	42865	HOSE ASSY., 3/8"x60.375 6FFORXx6FFORX .....	1.....	HOSE 23

# HYD. HOSE ASSY. (P. BLOCK/FRAME/TANK/PUMP)

## NOTES:

- ① SEE HOSE KIT ASSY APPLIES TO ALL HYDRAULIC HOSES.
- ② HOSE COLORS SHOWN FOR CLARITY ONLY.
- ③ REFERENCE DRAWING 42600H FOR HOSE REFERENCE DESIGNATOR.



## HYD. HOSE ASSY. (P. BLOCK/FRAME/TANK/PUMP)

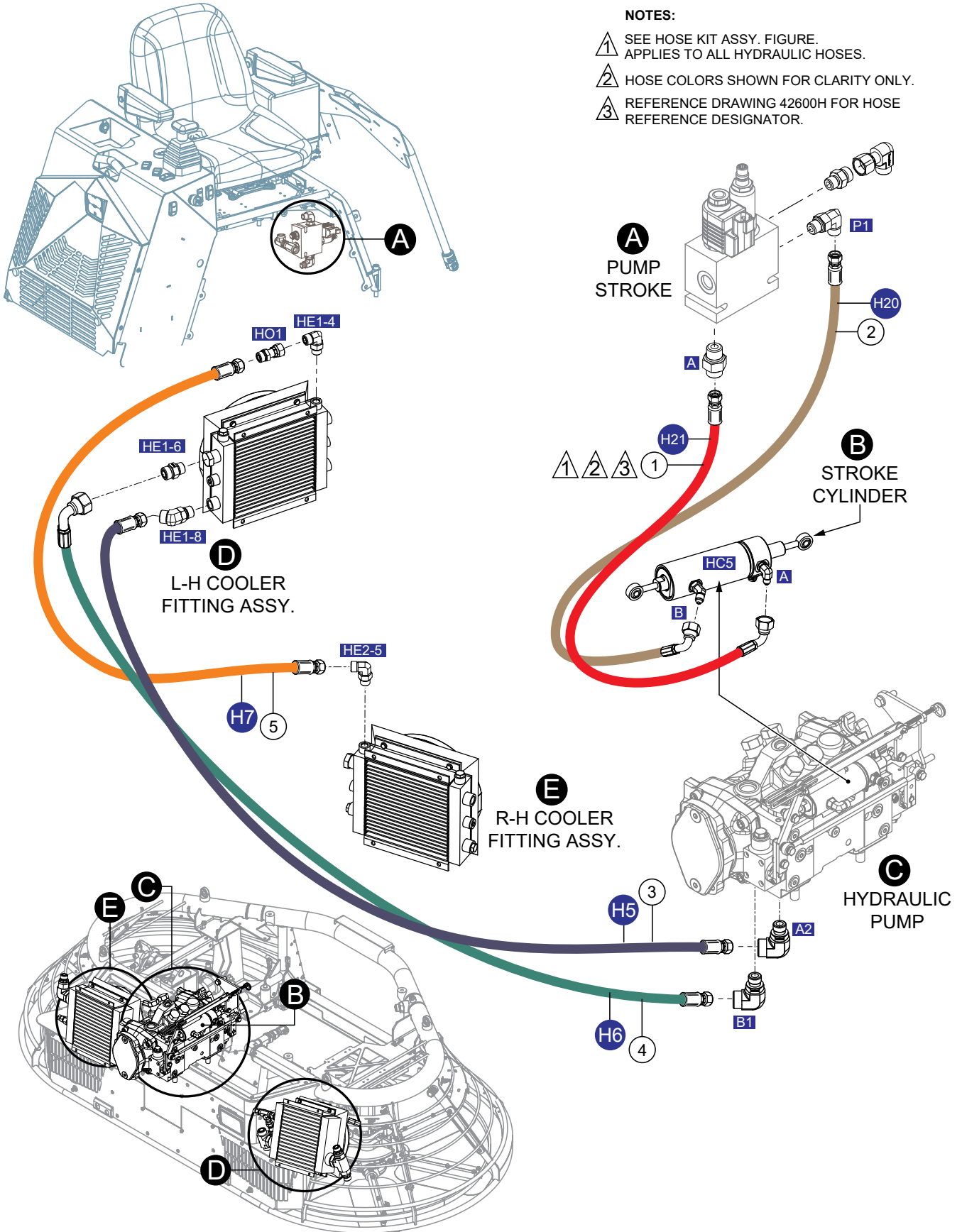
---

<u>NO.</u>	<u>PART NO.</u>	<u>PART NAME</u>	<u>QTY.</u>	<u>REMARKS</u>
1	42880	HOSE ASSY., 1/4"x21.75 4FFORXx4FFORX .....	1.....	HOSE 38
2	42881	HOSE ASSY., 3/4"x14.625 12FFORXx12FFORX90S.....	1.....	HOSE 39
3	42850	HOSE ASSY., 5/8"x30.25 10FFORX90Sx10FFORX.....	1.....	HOSE 8
4	42851	HOSE ASSY., 3/4"x29 12FFORXx12FFORX90S.....	1.....	HOSE 9
5	42852	HOSE ASSY., 1"x32.5 16FFORXx16FFORX90S.....	1.....	HOSE 10
6	42879	HOSE ASSY., 3/4"x18.5 12FFORXx12FFORX .....	1.....	HOSE 37
7	42853	HOSE ASSY., 3/4"x20 12FFORX90Sx12FFORX.....	1.....	HOSE 11

# HYD. HOSE ASSY. (P. BLOCK/COOLER/PUMP)

**NOTES:**

- ⚠ SEE HOSE KIT ASSY. FIGURE. APPLIES TO ALL HYDRAULIC HOSES.
- ⚠ HOSE COLORS SHOWN FOR CLARITY ONLY.
- ⚠ REFERENCE DRAWING 42600H FOR HOSE REFERENCE DESIGNATOR.



## **HYD. HOSE ASSY. (P. BLOCK/COOLER/PUMP)**

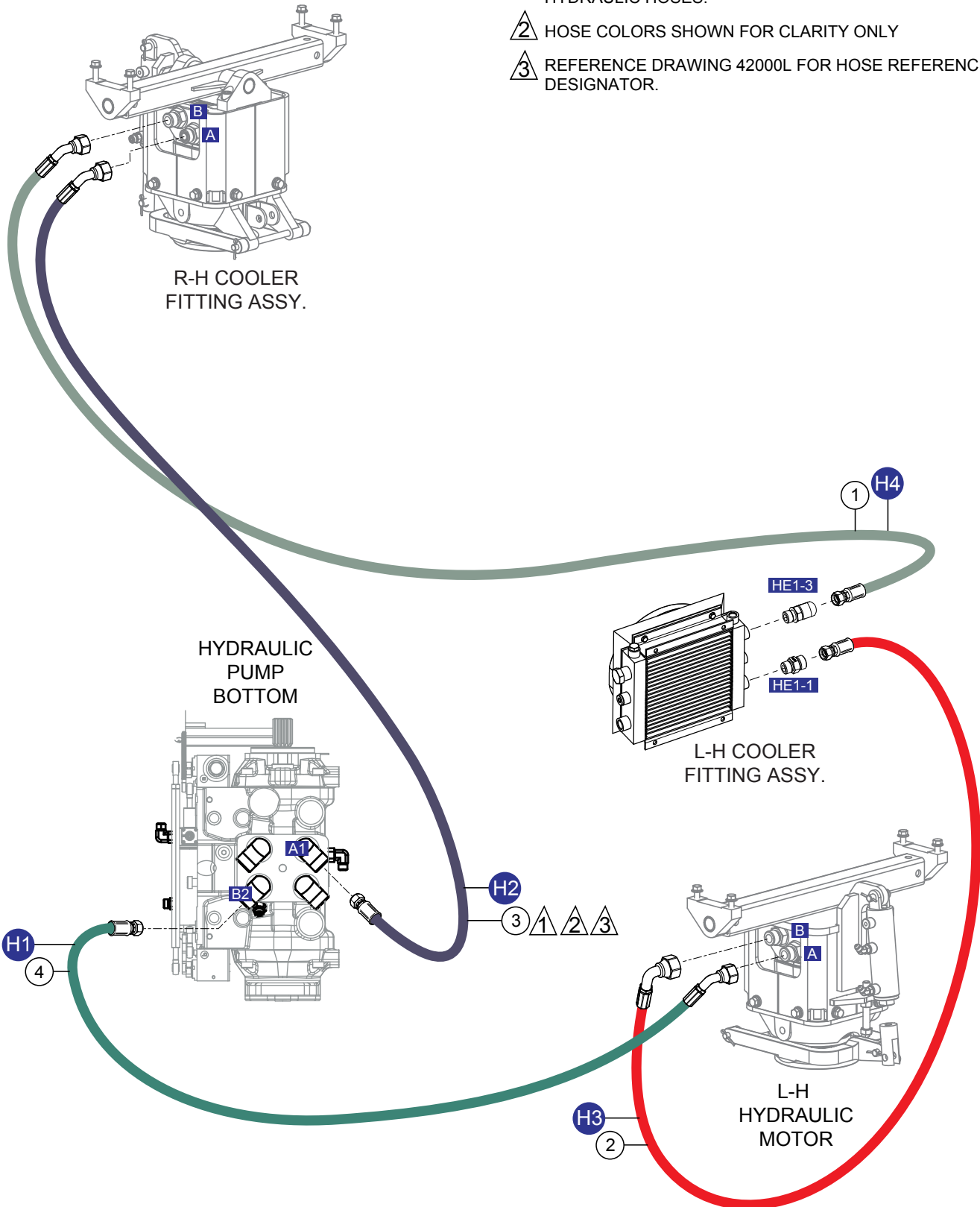
---

<u>NO.</u>	<u>PART NO.</u>	<u>PART NAME</u>	<u>QTY.</u>	<u>REMARKS</u>
1	42847	HOSE ASSY., 5/8"x16.5 10FFORXx10FFORX .....	1.....	HOSE 5
2	42863	HOSE ASSY., 1/4"x30.75 4FFORXx4FFORX90S.....	1.....	HOSE 21
3	42862	HOSE ASSY., 1/4"x47.5 4FFORXx4FFORX90S.....	1.....	HOSE 20
4	42848	HOSE ASSY., 5/8"x14.875 10FFORX90Sx10FFORX.....	1.....	HOSE 6
5	42849	HOSE ASSY., 1/2"x45.25 8FFORXx8FFORX .....	1.....	HOSE 7

# HYD. HOSE ASSY. (COOLER/MOTORS/PUMP)

NOTES:

- ① SEE HOSE KIT ASSY APPLIES TO ALL HYDRAULIC HOSES.
- ② HOSE COLORS SHOWN FOR CLARITY ONLY
- ③ REFERENCE DRAWING 42000L FOR HOSE REFERENCE DESIGNATOR.

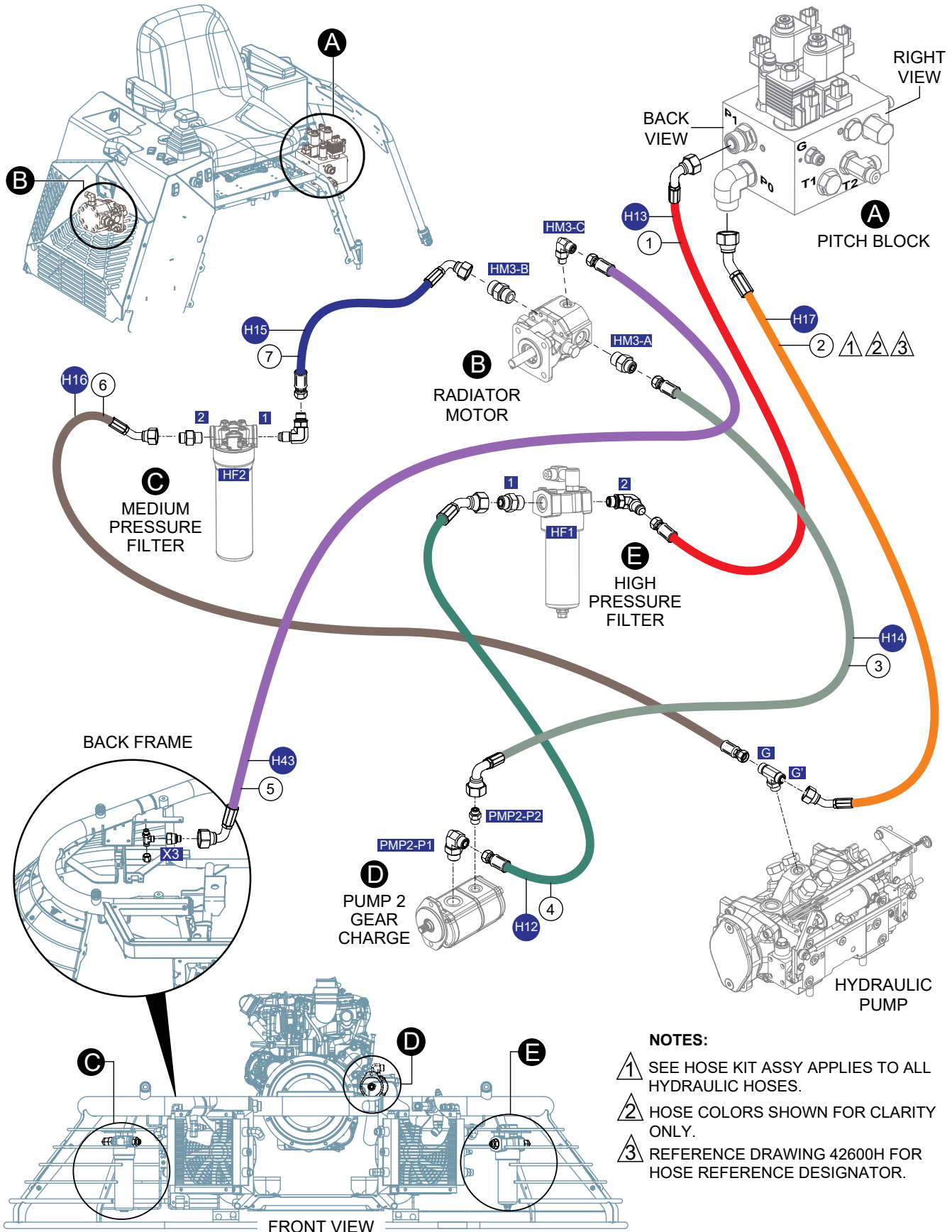


## **HYD. HOSE ASSY. (COOLER/MOTORS/PUMP)**

---

<u>NO.</u>	<u>PART NO.</u>	<u>PART NAME</u>	<u>QTY.</u>	<u>REMARKS</u>
1	42845	HOSE ASSY., 5/8"x27.75 10FFORX90Sx10FFORX.....	1.....	HOSE 3
2	42844	HOSE ASSY., 5/8"x39.5 10FFORX90Sx10FFORX 5.....	1.....	HOSE 1
3	42844	HOSE ASSY., 5/8"x39.5 10FFORX90Sx10FFORX 5.....	1.....	HOSE 2
4	42846	HOSE ASSY., 5/8"x57.5 10FFORXx10FFORX .....	1.....	HOSE 4

# HYD. HOSE ASSY. (P. BLOCK/P. STROKER/PUMP/FILTER)



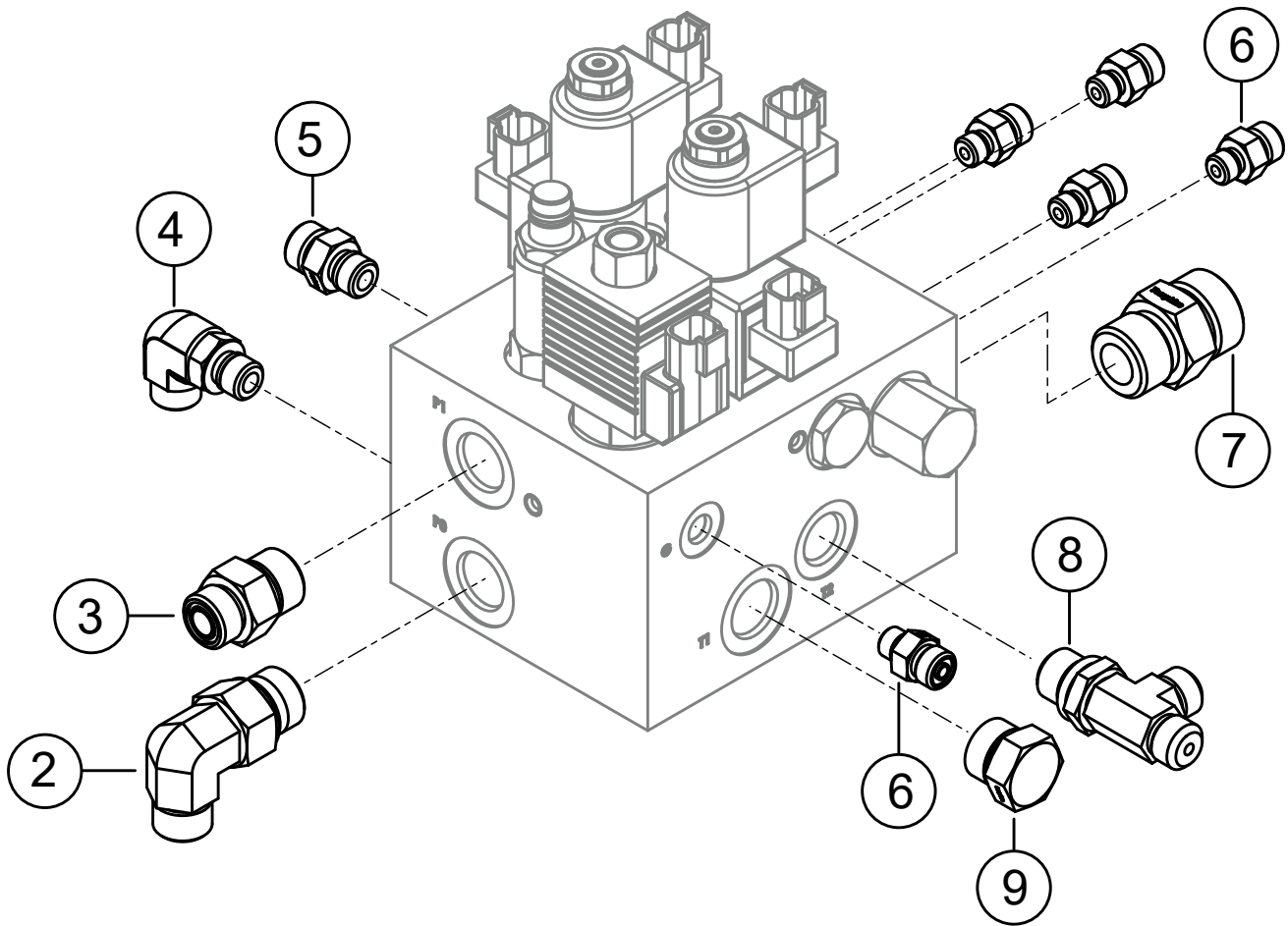
**NOTES:**

- ① SEE HOSE KIT ASSY APPLIES TO ALL HYDRAULIC HOSES.
- ② HOSE COLORS SHOWN FOR CLARITY ONLY.
- ③ REFERENCE DRAWING 42600H FOR HOSE REFERENCE DESIGNATOR.

## **HYD. HOSE ASSY. (P. BLOCK/P. STROKER/PUMP/FILTER)**

<b><u>NO.</u></b>	<b><u>PART NO.</u></b>	<b><u>PART NAME</u></b>	<b><u>QTY.</u></b>	<b><u>REMARKS</u></b>
1	42855	HOSE ASSY., 1/2"x18.5 8FFORXx8FFORX .....	1.....	HOSE 13
2	42859	HOSE ASSY., 1/2"x 30 8FFORX90Sx8FFORX.....	1.....	HOSE 17
3	42861	HOSE ASSY., 3/8"x20.125 6FFORXx6FFORX .....	1.....	HOSE 19
4	42854	HOSE ASSY., 1/2"x34 8FFORXx8FFORX45S.....	1.....	HOSE 12
5	42857	HOSE ASSY., 1/2"x16.5 8FFORX90Sx8FFORX.....	1.....	HOSE 15
6	42856	HOSE ASSY., 3/8"x54.25 6FFORX90Sx6FFORX.....	1.....	HOSE 14
7	42858	HOSE ASSY., 1/2"x 28 8FFORXx8FFORX .....	1.....	HOSE 16
8	42885	HOSE ASSY., 1/4"x26.25 4FFORXx4FFORX90S.....	1.....	HOSE 43

# PITCH BLOCK ASSY. (FITTINGS)

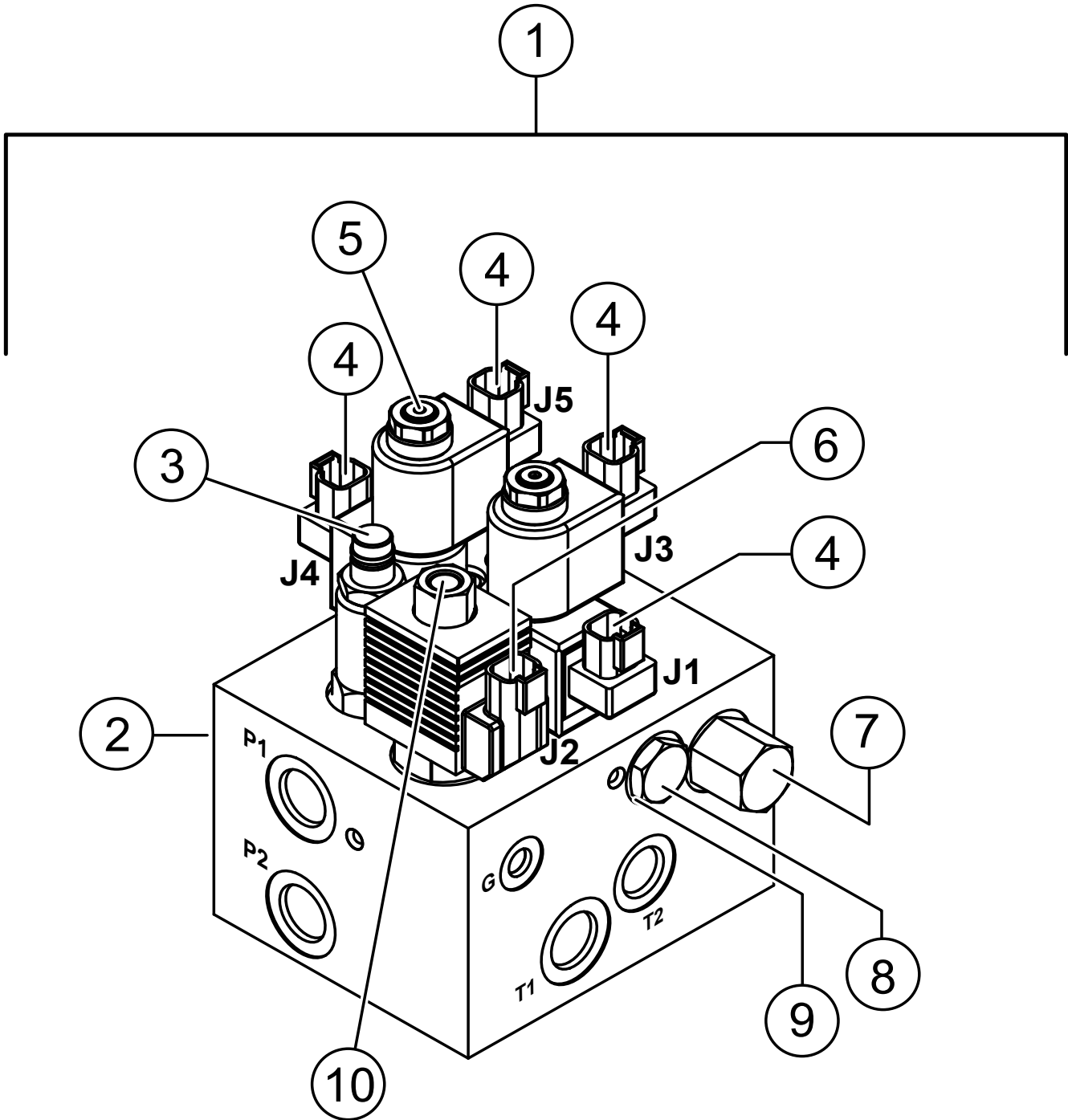


## PITCH BLOCK ASSY. (FITTINGS)

---

<u>NO.</u>	<u>PART NO.</u>	<u>PART NAME</u>	<u>QTY.</u>	<u>REMARKS</u>
2	32722	FITTING, 90 8MORFS x 10MOR	1	
3	42941	FITTING, STR 8MORFS X 10MOR	1	
4	32354	FITTING, 90 -6MORFS x -6MOR	1	
5	32341	FITTING, STR -6MORFS x -6MOR	1	
6	32340	FITTING, STR -4MORFS x -4MOR	5	
7	32343	FITTING, STR -12MORFS x -12MOR	1	
8	32351	FITTING, TEE 6MORFSx8MOR	1	
9	32468	FITTING, PLUG - ORING - 10	1	

# PITCH BLOCK ASSY. (VALVES)

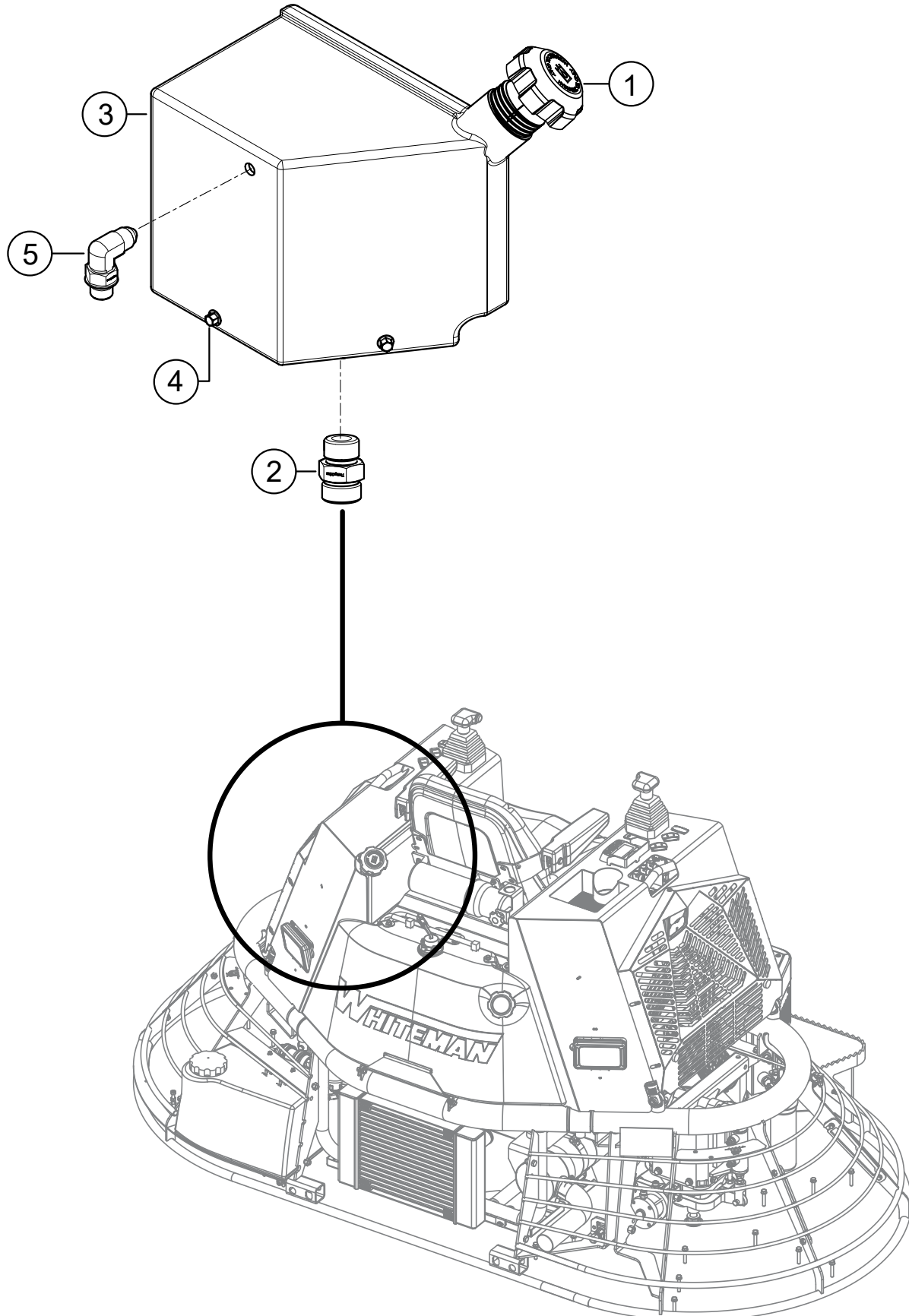


## PITCH BLOCK ASSY. (VALVES)

---

<u>NO.</u>	<u>PART NO.</u>	<u>PART NAME</u>	<u>QTY.</u>	<u>REMARKS</u>
1	22233	PITCH BLOCK W/ VALVES.....	1.....	INCLUDES ITEMS W/\$
2\$		BODY .....	1.....	NOT SERVICED SEPARATELY
3\$	22233-7	RELIEF VALVE	1	
4\$	22233-4	SOLENOID, PITCH VALVE	4	
5\$	22233-3	PITCH VALVE	2	
6\$	22233-2	SOLENOID, BYPASS VALVE	1	
7\$	22233-6	FLOW CONTROL VALVE	2	
8\$		PISTON.....	2.....	NOT SERVICED SEPARATELY
9\$	22233-5	CHECK VALVE	2	
10\$	22233-1	BYPASS VALVE CARTRIDGE	1	

# HYDRAULIC OIL EXPANSION TANK ASSY.



## HYDRAULIC OIL EXPANSION TANK ASSY.

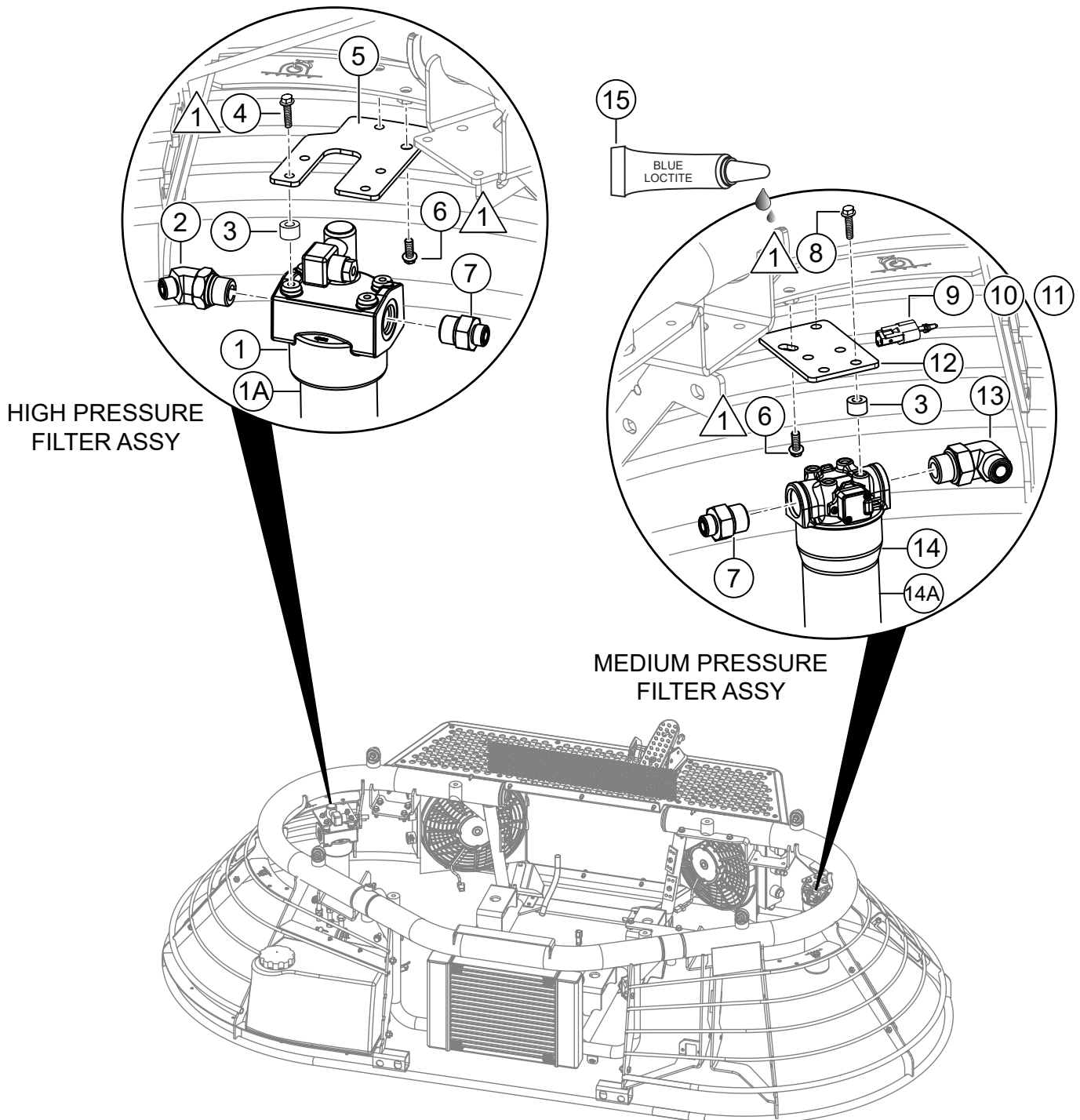
---

<u>NO.</u>	<u>PART NO.</u>	<u>PART NAME</u>	<u>QTY.</u>	<u>REMARKS</u>
1	42551	RACHET CAP, TOP VENT	1	
2	32343	FITTING, STR -12MORFS x -12MOR	1	
3	42090	TANK, GEN 3 HYDRAULIC EXPANSION	1	
4	42342	SCREW, HFS, ZP, M8-1.25 x 16, CLASS 8.8	3	
5	32347	FITTING, 90 -4MORFS x -4MOR	1	

# FILTER ASSY.

## NOTE:

1 APPLY BLUE LOCTITE #242.

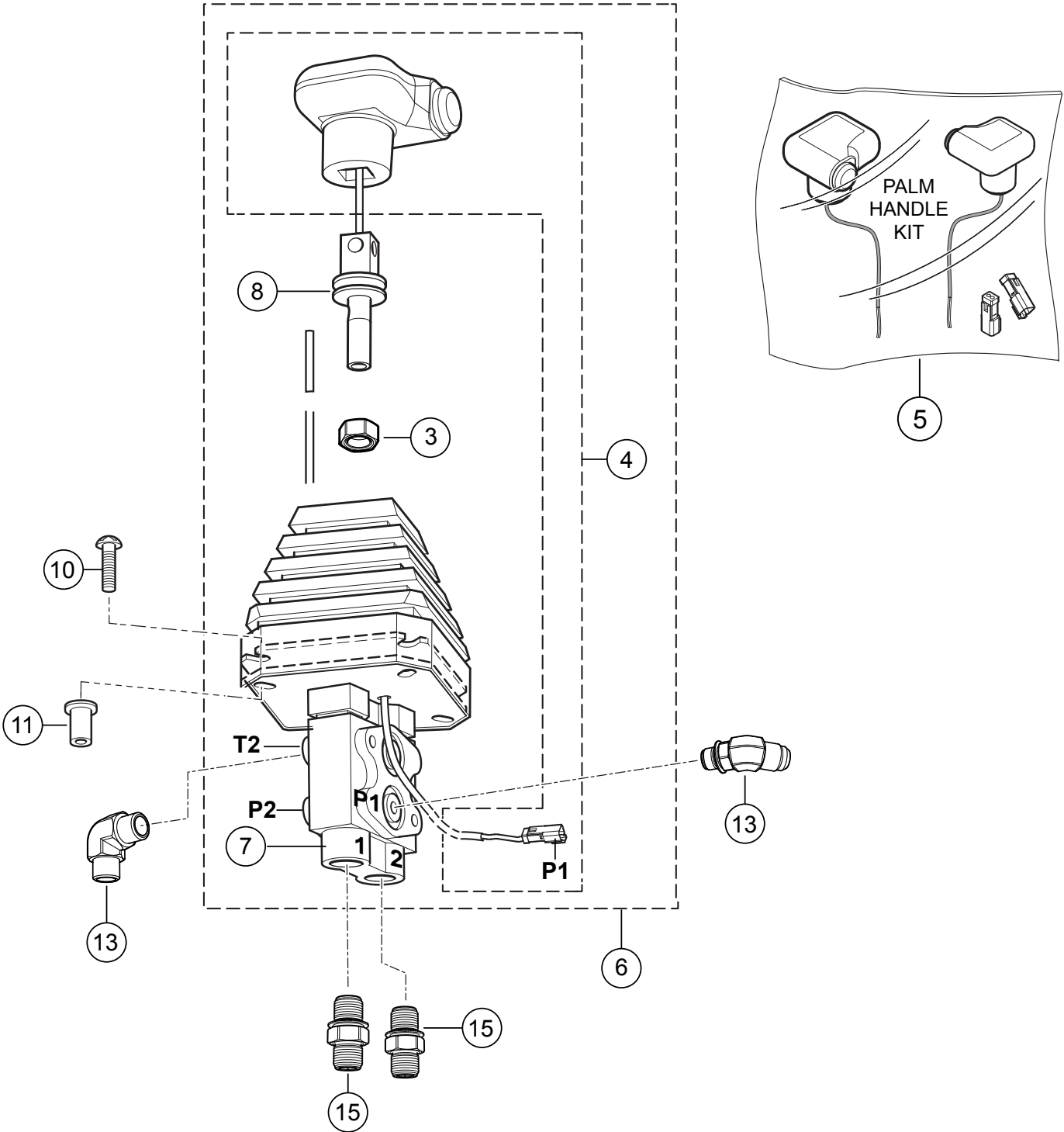


## **FILTER ASSY.**

---

<b><u>NO.</u></b>	<b><u>PART NO.</u></b>	<b><u>PART NAME</u></b>	<b><u>QTY.</u></b>	<b><u>REMARKS</u></b>
1	42615	FILTER ASM, HIGH, 10 MICRON, BYPASS IND	1	
1A	42615-1	FILTER ASM, HIGH, PARKER - REPLACEMENT ELEMENT	1	
2	32804	FITTING, 45 8MORFS X 12MOR	1	
3	29938	SPACER, MUFFLER BRACKET	8	
4	23792	SCREW, HHFS M8-1.25x30MM	4	
5	42774	MOUNT PLATE, HYD HIGH FILTER, TIER 4	1	
6	42342	SCREW, HFS, ZP, M8-1.25 x 16, CLASS 8.8	4	
7	32711	FITTING, STR 8MORFS x 12MOR	2	
8	22106	SCREW, HHFS 3/8-16 x 1.25 ZINC	4	
9	46192	PIN, DEUTSCH 16, 16-20 AWG	3	
10	EE50818	CONNECTOR, DEUTSCH 3 POSITION	1	
11	EE50819	WEDGE LOCK, DT SERIES, 3 POS, GREEN, W3P	1	
12	42773	MOUNT PLATE, HYD MED FILTER, TIER 4	1	
13	32712	FITTING, 90 8MORFS x 12MOR	1	
14	42616	FILTER ASM, MED, 10 MICRON, BYPASS IND	1	
14A	42616-1	FILTER ASM, MED., PARKER - REPLACEMENT ELEMENT	1	
15	1477	LOCTITE, #242, BLUE, 0.5CC BOTTLE	AR	

# LEFT-HAND VALVE ASSY.

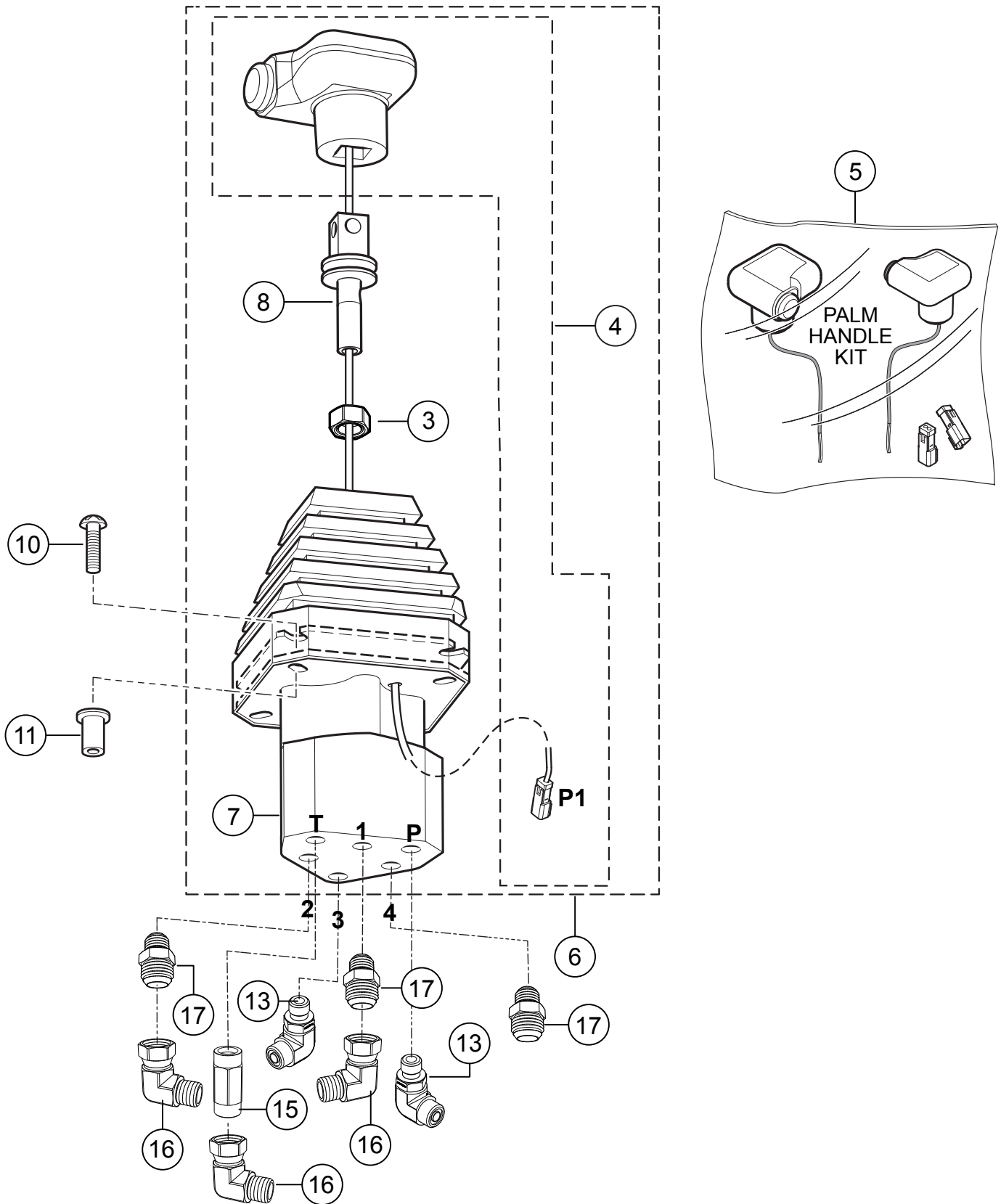


## LEFT-HAND VALVE ASSY.

---

<u>NO.</u>	<u>PART NO.</u>	<u>PART NAME</u>	<u>QTY.</u>	<u>REMARKS</u>
3#%	16083	NUT, HEX M12-1.75 NO PLATE	1	
4#%	20150	KIT, PALM HANDLE LEFT, W/SWITCH	1	
5	20165	KIT, PALM HNDL W/TOGGLE SWITCH	1	
6%	42831	VALVE, LH STRG W/SWITCH ASSEMBLY .....	1.....	INCLUDES ITEMS W/#
7#%	20833	VALVE, LH STEERING	1	
8#%	21053	ADAPTOR, LH PALM HANDLE	1	
10	42325	SCREW, BHSC, M6-1.0 X 20, FLANGED	4	
11	42496	RIVNUT FASTENER, HALF HEX M6X1	4	
13%	32354	FITTING, 90 -MORFS X -6MOR	2	
15%	32341	FITTING, STR -6MORFS X -6MOR	2	

# RIGHT-HAND VALVE ASSY.

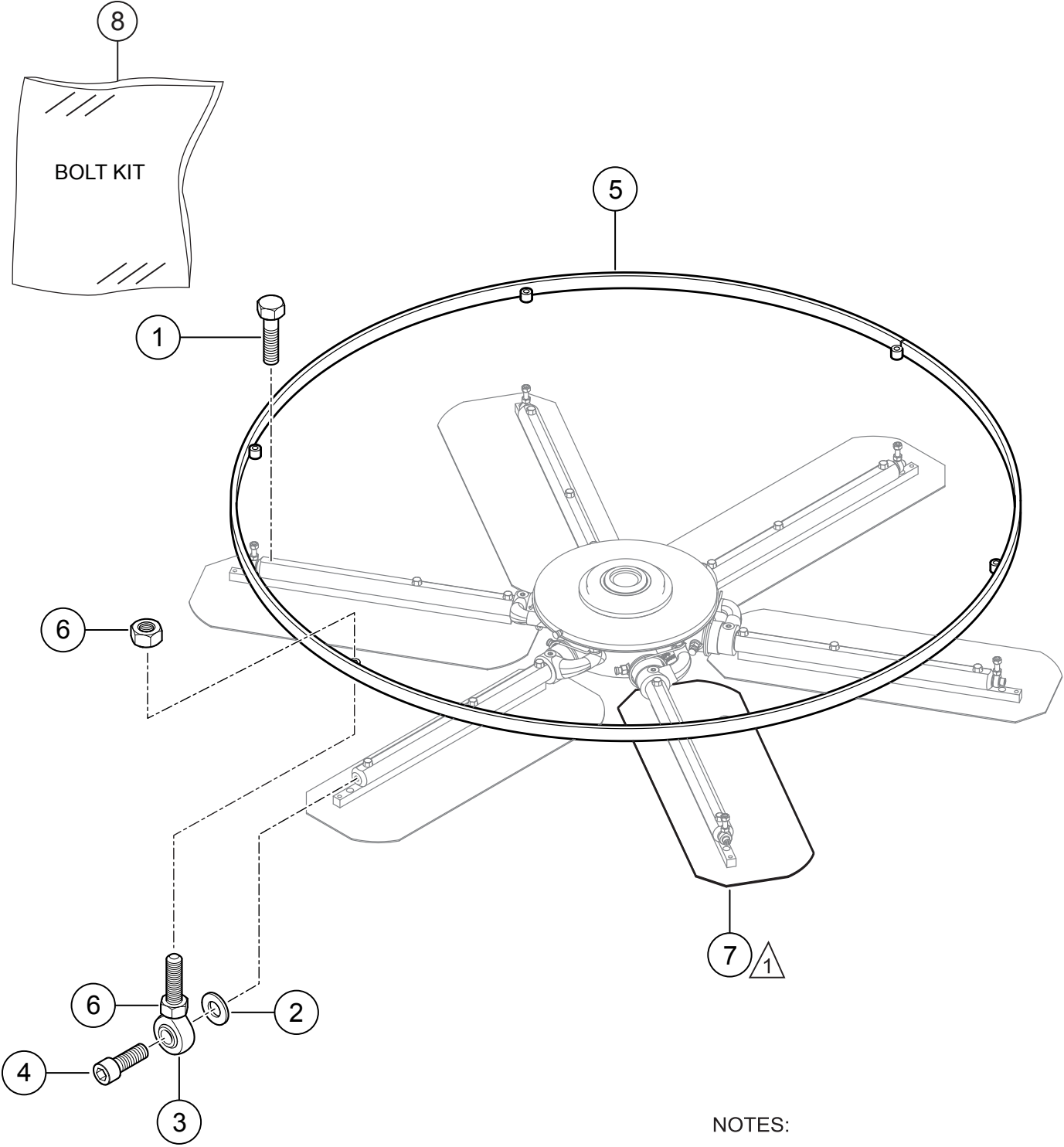


## RIGHT-HAND VALVE ASSY.

---

<u>NO.</u>	<u>PART NO.</u>	<u>PART NAME</u>	<u>QTY.</u>	<u>REMARKS</u>
3#%	16083	NUT, HEX M12-1.75 NO PLATE	1	
4#%	20155	KIT, PALM HANDLE RIGHT, W/SWITCH	1	
5	20165	KIT, PALM HANDLE W/TOGGLE SWITCH	1	
6%	42832	VALVE, RH STEERING W/SWITCH ASSY.....	1	INCLUDES ITEMS W/#
7#%	20832	VALVE, RH STEERING	1	
8#%	20834	ADAPTER, PALM HANDLE	1	
11	42496	RIVNUT FASTENER, HALF HEX M6X1	8	
13%	32354	FITTING, 90 -6MORFS X 6 MOR	2	
15%	32454	FITTING, STR 6MORFS X 6MORFS LONG	1	
16%	32256	FITTING, 90 6FORFS X 6MORFS	3	
17%	32341	FITTING, STR -6MORFS X -6MOR	3	

# STABILIZER ASSY.



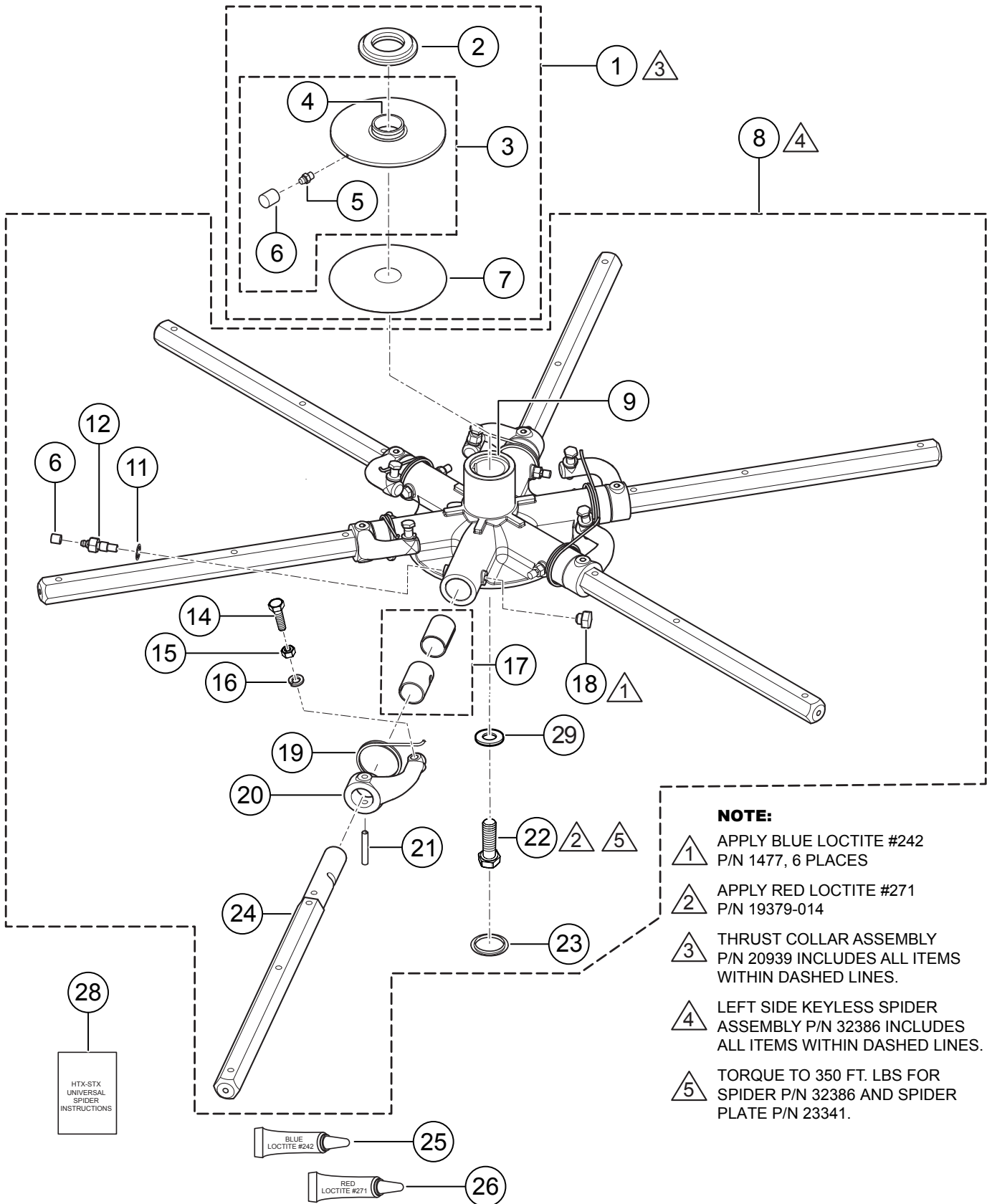
NOTES:

△ 1 TO PURCHASE BLADES  
CONTACT UNIT SALES DEPT.

**STABILIZER ASSY.**

<u>NO.</u>	<u>PART NO.</u>	<u>PART NAME</u>	<u>QTY.</u>	<u>REMARKS</u>
1\$	22174	SCREW, HHFS 5/16-18 X 1-3/4" GR5	38	
2	0300 B	WASHER, FLAT SAE 5/16"	12	
3	1723	ROD END 5/16-24 MALE RH	12	
4	1237	SCREW, SHC 5/16-18 X 7/8" NYLOC	12	
5	32391	RING W/A, BLADE STABILIZER	2	
6	6014 C	NUT, HEX FINISH 5/16-24	24	
7		BLADE ASSEMBLY .....	12.....	CONTACT UNIT SALES
8	23643	KIT, BOLT SAE BLADE.....	1.....	INCLUDES ITEMS W/\$

# 6-BLADE SPIDER ASSY. (LEFT-SIDE)



**NOTE:**

- ▲1 APPLY BLUE LOCTITE #242  
P/N 1477, 6 PLACES
- ▲2 APPLY RED LOCTITE #271  
P/N 19379-014
- ▲3 THRUST COLLAR ASSEMBLY  
P/N 20939 INCLUDES ALL ITEMS  
WITHIN DASHED LINES.
- ▲4 LEFT SIDE KEYLESS SPIDER  
ASSEMBLY P/N 32386 INCLUDES  
ALL ITEMS WITHIN DASHED LINES.
- ▲5 TORQUE TO 350 FT. LBS FOR  
SPIDER P/N 32386 AND SPIDER  
PLATE P/N 23341.

28  
HTX-STX  
UNIVERSAL  
SPIDER  
INSTRUCTIONS

25  
BLUE  
LOCTITE #242

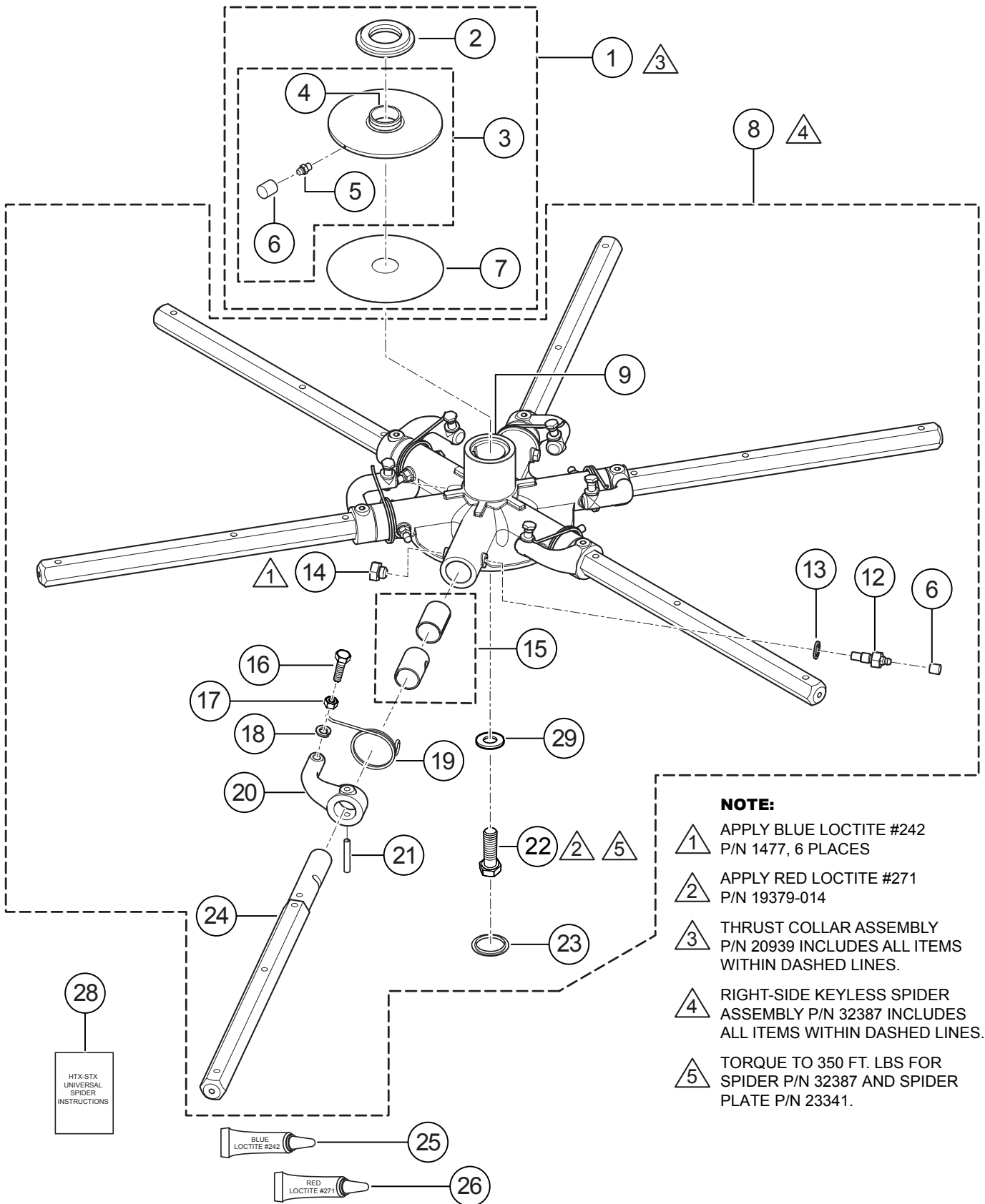
26  
RED  
LOCTITE #271

## 6-BLADE SPIDER ASSY. (LEFT-SIDE)

<u>NO.</u>	<u>PART NO.</u>	<u>PART NAME</u>	<u>QTY.</u>	<u>REMARKS</u>
1	20939	THRUST COLLAR ASSEMBLY .....	1.....	INCLUDES ITEMS W/@
2@	12779	BEARING, 85MM X 130MM, FLANGED	1	
3@	12315	THRUST COLLAR W/BUSHING .....	1.....	INCLUDES ITEMS W/\$
4@\$	12316	BUSHING, THRUST COLLAR	1	
5@	2621	ZERK, GREASE STR 1/4-28	1	
6#@	1162 A	CAP, GREASE ZERK #2	7	
7@	12250	PLATE, WEAR	1	
8	32386-SK	SPIDER ASSY., KIT, 6 BLD TAPERED, LS.....	1.....	INCLUDES ITEMS W/#
9#%	23341	SPIDER 6 BLD SERVICE KIT .....	1.....	INCLUDES ITEMS W/%
11#	1875	WASHER, INT. SHKP. 3/8"	6	
12#	1322	SCREW, RETAINING	6	
14#	21031	SCREW, HHC RND 7/16-14 UNC SPCL GR8	6	
15#	07034-007	NUT, HEX JAM 7/16-14	6	
16#	2955	WASHER, LOCK 7/16 MED	6	
17#	11039	BUSHING, ARM 2 PIECE	12	
18#%	11602	SCREW, HHC 3/8-16 X 1/4"	6	
19#	9111	SPRING, LS ARM RETURN, SMALL BOSS	6	
20#	21049-1	LEVER, TROWEL ARM, LS SILVER	6	
21#	32045	PIN, COILED SPRING 5/16-2.00"	6	
22#%	32788	SCREW, HHC 3/4-16 X 2-1/2", GR8	1	
23#%	20121	PLUG, SPIDER SNAP IN	1	
24#	32383-1	ARM, TROWEL, HD EXTENDED SILVER.....	6.....	HTX6H
25#%	1477	LOCTITE #242 BLUE .5CC	1	
26#%	19379-014	LOCTITE #271 RED, ANAEROBIC	1	
28%	32771	INSTR., SPIDER, UNIVERSAL, HTX/STX .....	1.....	TO OBTAIN COPY SEE BELOW
29#%	933247	WASHER, FLAT SAE 3/4 GR9	1	

TO OBTAIN A COPY OF INSTRUCTIONS P/N 32771 GO TO — [SERVICE.MULTIQUIP.COM/PDFS/HTX-STX\\_UNIVERSAL\\_TAPERED\\_KEYLESS\\_SPIDER\\_INSTALLATION\\_INSTRUCTIONS\\_REV\\_0.PDF](http://SERVICE.MULTIQUIP.COM/PDFS/HTX-STX_UNIVERSAL_TAPERED_KEYLESS_SPIDER_INSTALLATION_INSTRUCTIONS_REV_0.PDF)

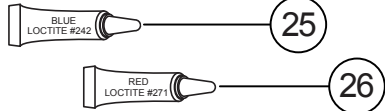
# 6-BLADE SPIDER ASSY. (RIGHT-SIDE)



**NOTE:**

- ▲ 1 APPLY BLUE LOCTITE #242  
P/N 1477, 6 PLACES
- ▲ 2 APPLY RED LOCTITE #271  
P/N 19379-014
- ▲ 3 THRUST COLLAR ASSEMBLY  
P/N 20939 INCLUDES ALL ITEMS  
WITHIN DASHED LINES.
- ▲ 4 RIGHT-SIDE KEYLESS SPIDER  
ASSEMBLY P/N 32387 INCLUDES  
ALL ITEMS WITHIN DASHED LINES.
- ▲ 5 TORQUE TO 350 FT. LBS FOR  
SPIDER P/N 32387 AND SPIDER  
PLATE P/N 23341.

28  
HTX-STX  
UNIVERSAL  
SPIDER  
INSTRUCTIONS

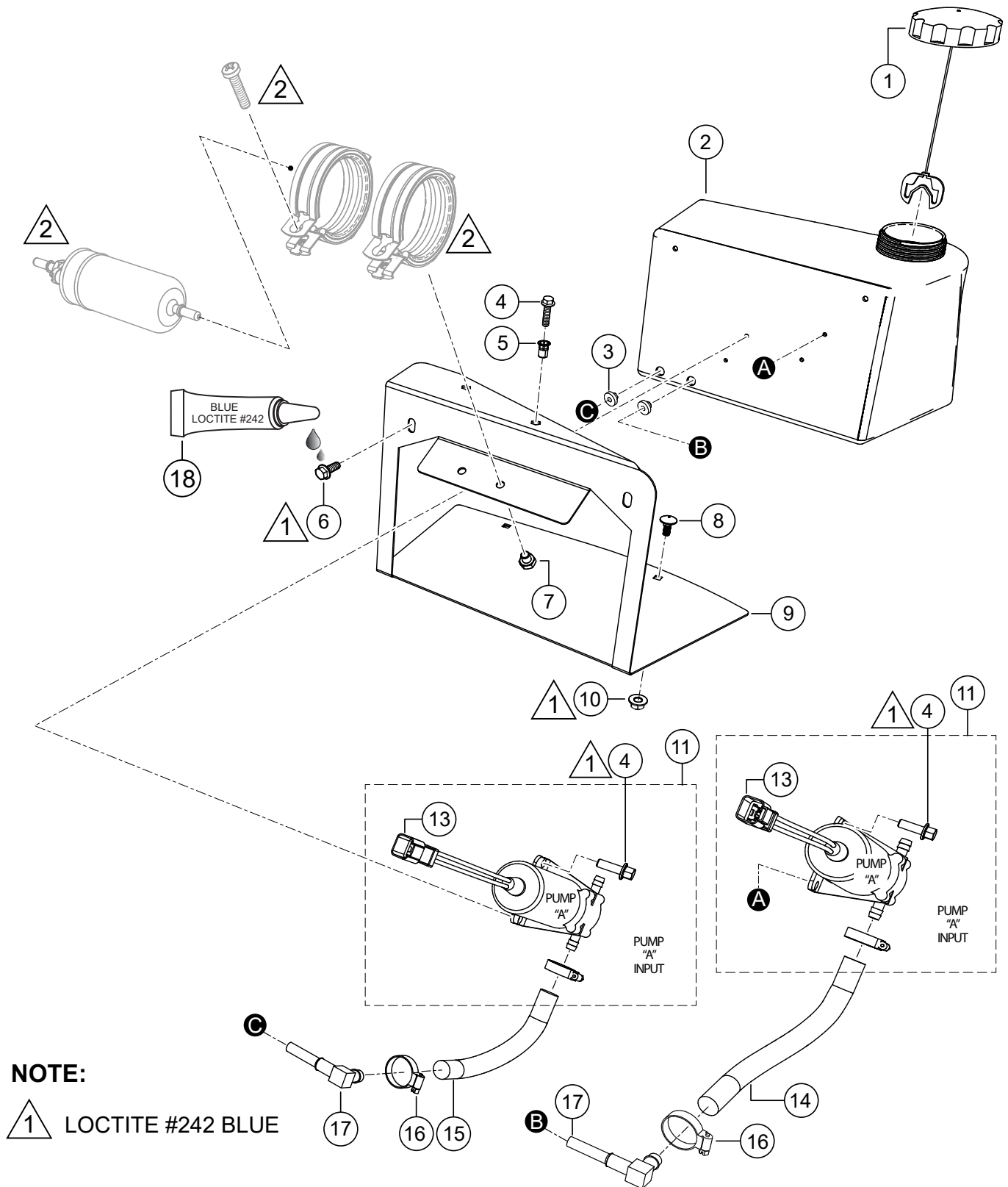


## 6-BLADE SPIDER ASSY. (RIGHT-SIDE)

<u>NO.</u>	<u>PART NO.</u>	<u>PART NAME</u>	<u>QTY.</u>	<u>REMARKS</u>
1	20939	THRUST COLLAR ASSEMBLY .....	1.....	INCLUDES ITEMS W/@
2@	12779	BEARING, 85MM X 130MM, FLANGED	1	
3@	12315	THRUST COLLAR W/BUSHING .....	1.....	INCLUDES ITEM W/\$
4@\$	12316	BUSHING, THRUST COLLAR	1	
5@	2621	ZERK, GREASE ZERK #2	6	
6#@	1162 A	CAP, GREASE ZERK #2	7	
7@	12250	PLATE, WEAR	1	
8	32387-SK	SPIDER ASSY., KIT, 6BLD TAPERED, RS .....	1.....	INCLUDES ITEMS W/#
9#%	23341	SPIDER STX/HTX 6BLD. SERVICE KIT.....	1.....	INCLUDES ITEMS W/%
12#	1322	SCREW, RETAINING	6	
13#	1875	WASHER, INT. SHKP. 3/8"	6	
14#%	11602	SCREW, HHC 3/8-16 X 1/4"	6	
15#	11039	BUSHING ARM 2 PIECE	12	
16#	21031	SCREW, HHC RND' 7/16-14 UNC SPCL GR8	6	
17#	07034-007	NUT, HEX JAM 7/16-14	6	
18#	2955	WASHER, LOCK, 7/16" MED.	6	
19#	2143	SPRING, RS ARM RETURN, SMALL BOSS	6	
20#	21050-1	LEVER, TROWEL ARM HYD. RS. SILVER	6	
21#	32045	PIN, COILED SPRING 5/16 X 2"	6	
22#%	32788	SCREW, HHC 3/4-16 X 2-1/4" GR8, YEL, ZN	2	
23	20121	PLUG, SPIDER SNAP IN	1	
24#	32383-1	ARM, TROWEL, 6 BLADE SILVER	6	
25#%	1477	LOCTITE #242 BLUE .5CC	1	
26#%	19379-014	LOCTITE #271 RED, ANAEROBIC	1	
28#%	32771	INSTR., SPIDER, UNIVERSAL, HTX/STX .....	1.....	TO OBTAIN COPY SEE BELOW
29#%	933247	WASHER, FLAT SAE 3/4 GR9YZ	1	

TO OBTAIN A COPY OF INSTRUCTIONS P/N 32771 GO TO — [SERVICE.MULTIQUIP.COM/PDFS/HTX-STX\\_UNIVERSAL\\_TAPERED\\_KEYLESS\\_SPIDER\\_INSTALLATION\\_INSTRUCTIONS\\_REV\\_0.PDF](http://SERVICE.MULTIQUIP.COM/PDFS/HTX-STX_UNIVERSAL_TAPERED_KEYLESS_SPIDER_INSTALLATION_INSTRUCTIONS_REV_0.PDF)

# SPRAY ASSY. (S/N NH2003616 AND BELOW)



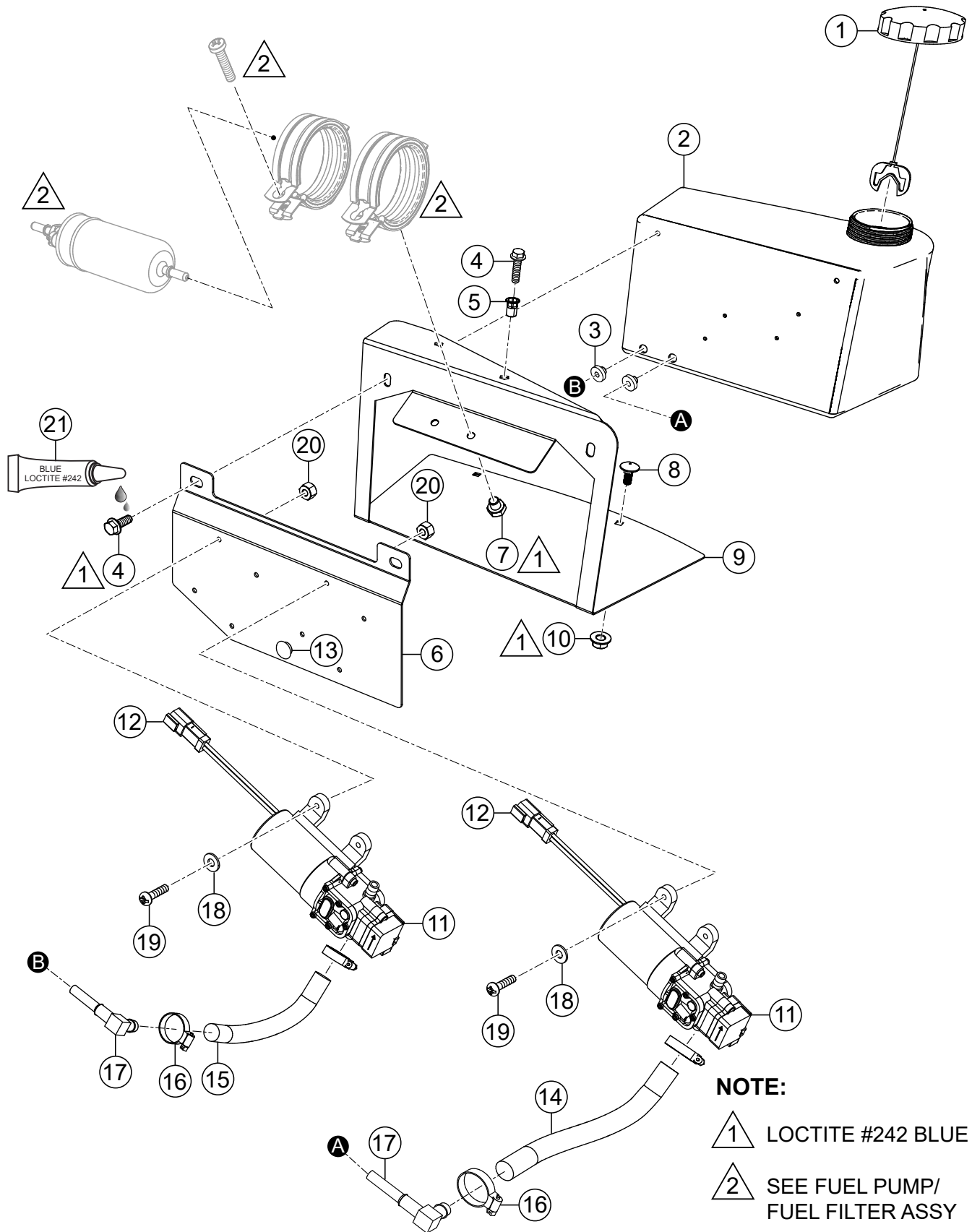
**NOTE:**

**1** LOCTITE #242 BLUE

## SPRAY ASSY. (S/N NH2003616 AND BELOW)

<u>NO.</u>	<u>PART NO.</u>	<u>PART NAME</u>	<u>QTY.</u>	<u>REMARKS</u>
1	42435	CAP, RETARDANT TANK LANYARD, 3.5"	1	
2	42569	TANK, TIER 4 RETARDANT	1	
3	19633	BUSHING, RUBBER FUEL DAPCO 10672	2	
4	42542	SCREW HFS, ZP, M6-1.0 X 16	6	
5	42496	RIVNUT FASTENER, HALF HEX LONG FLNG M6X1	2	
6	42342	SCREW, HFS, ZP, M8-1.25 x 16, CLASS 8.8	2	
7	42937	SCREW, HHC M8-1.25 X 8MM	2	
8	42822	SCREW, CB, M8 X 1.25 X 20	2	
9	42818	BRACKET, RETARDANT TANK	1	
10	23802	NUT, HEX FLANGE M8-1.25 SERRATED	2	
11	23434	PUMP, SPRAY W/MALE AND FEMALE CONNECTOR .....	2	INCLUDES ITEMS W/\$
13\$	37402	CONNECTOR KIT	2	
14	60021	HOSE, 3/8ID X 5/8OD BRAIDED PVC, 0.71 FEET .....	1	1PC=1FT
15	60021	HOSE, 3/8ID X 5/8OD BRAIDED PVC, 0.50 FEET .....	1	1PC=1FT
16	15538	CLAMP, HOSE WORM # 6, 7/16" TO 7/8"	4	
17	29677	FITTING, 90 6BARBX6-4BARB TRUTANK SCREEN	2	
18	1477	LOCTITE #242 BLUE .5CC	1	

# SPRAY ASSY. (S/N NH2003617 AND ABOVE)



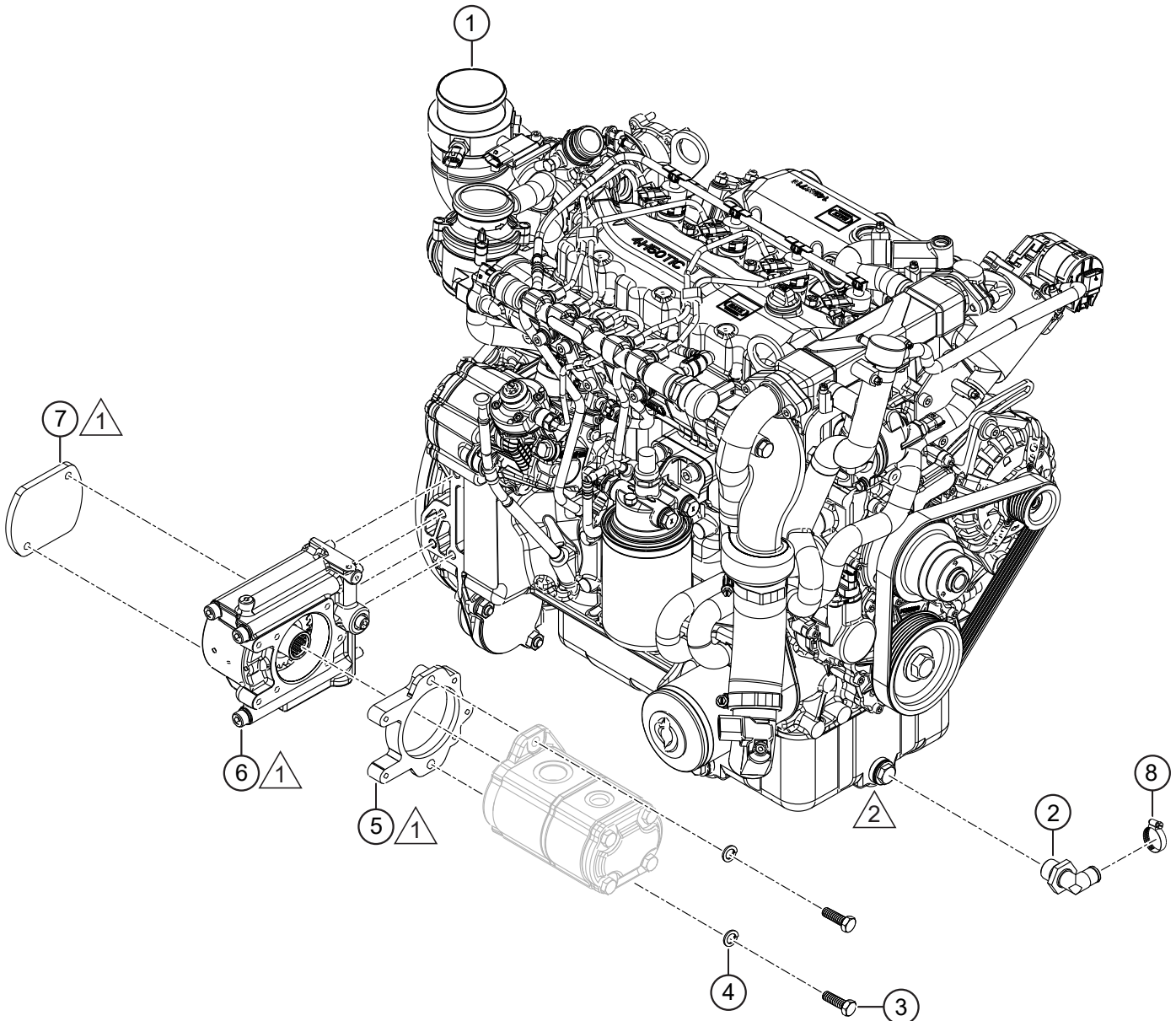
**NOTE:**

- 1** LOCTITE #242 BLUE
- 2** SEE FUEL PUMP/  
FUEL FILTER ASSY



## SPRAY ASSY. (S/N NH2003617 AND ABOVE)

<u>NO.</u>	<u>PART NO.</u>	<u>PART NAME</u>	<u>QTY.</u>	<u>REMARKS</u>
1	42435	CAP, RETARDANT TANK LANYARD, 3.5"	1	
2	42569	TANK, TIER 4 RETARDANT	1	
3	19633	BUSHING, RUBBER FUEL DAPCO 10672	2	
4	42542	SCREW HFS, ZP, M6-1.0 X 16	4	
5	42496	RIVNUT FASTENER, HALF HEX LONG FLNG M6X1	2	
6	30558	BRACKET, SPRAY PUMP MOUNT, HTX/STX	1	
7	42937	SCREW, HHC M8-1.25 X 8MM	2	
8	42822	SCREW, CB, M8 X 1.25 X 20	2	
9	42818	BRACKET, RETARDANT TANK	1	
10	23802	NUT, HEX FLANGE M8-1.25 SERRATED	2	
11	30560	PUMP, SPRAY, W/ FEMALE CON BODY .....	2	INCLUDES ITEMS W/\$
12\$	37402	CONNECTOR KIT	2	
13	21597	BUMPER, STEM 1.0"D X .5S X .31	1	
14	60021	HOSE, 3/8 ID X 5/8 OD, BRAIDED PVC, 0.88 FEET .....	1	1PC=1FT
15	60021	HOSE, 3/8 ID X 5/8 OD, BRAIDED PVC, 0.56 FEET .....	1	1PC=1FT
16	15538	CLAMP, HOSE WORM # 6, 7/16" TO 7/8"	4	
17	29677	FITTING, 90 6BARBx6-4BARB TRUTANK SCREEN	2	
18	2203	WASHER, FLAT, #10	8	
19	8133	SCREW, PHP 10-32 X 3/4	8	
20	10019	NUT, NYLOC 10-32	8	
21	1477	LOCTITE #242 BLUE .5CC	1	

# ENGINE ASSY.



**NOTE:**

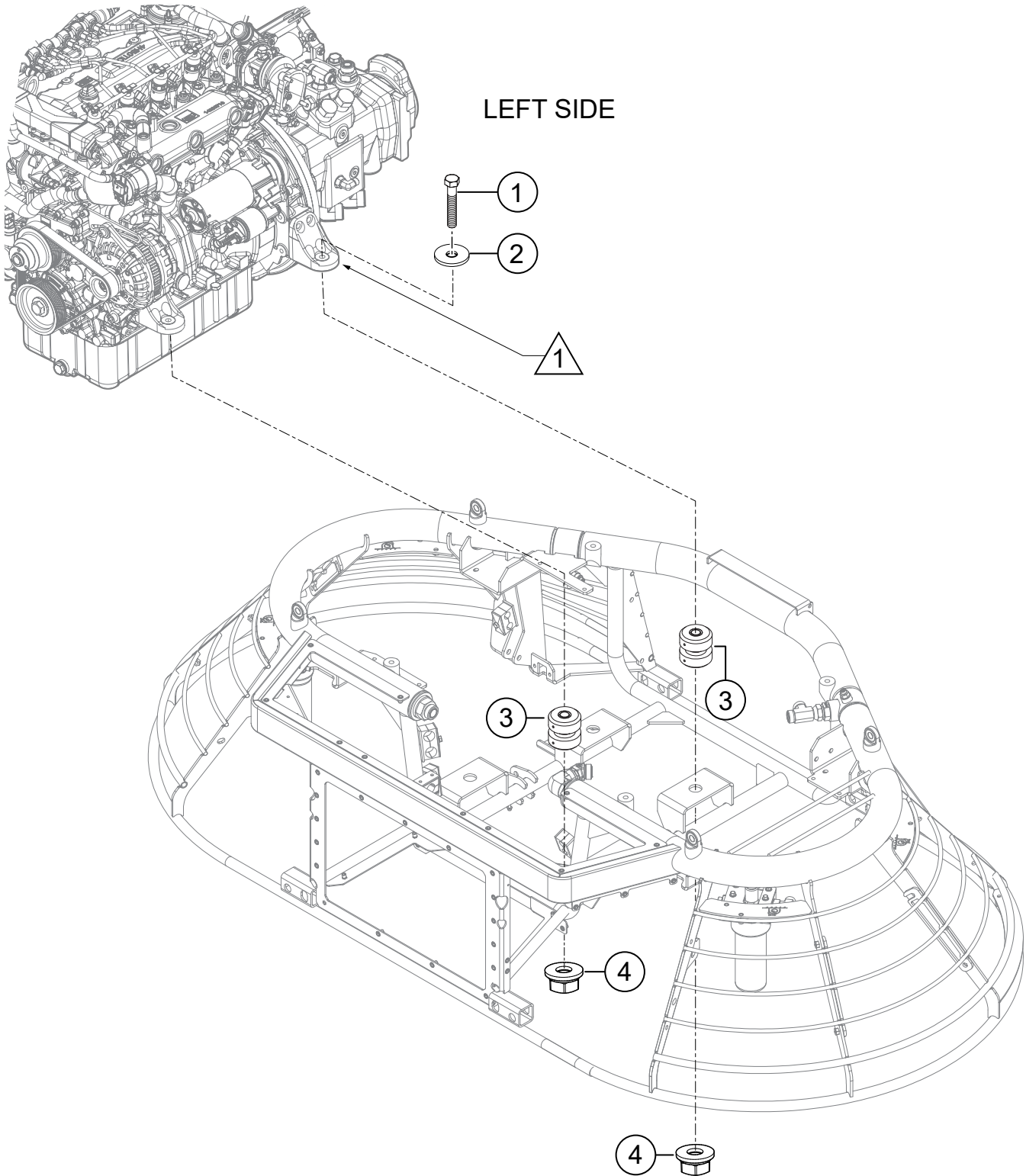
-  INCLUDED WITH ENGINE.
-  REMOVE DRAIN PLUG AND REPLACE WITH DRAIN PLUG FITTING, ITEM 2, P/N 42959.

## ENGINE ASSY.

---

<u>NO.</u>	<u>PART NO.</u>	<u>PART NAME</u>	<u>QTY.</u>	<u>REMARKS</u>
1	42603	ENGINE ASSY., HATZ 4H50TIC	1	
2	42959	FITTING, DRAIN PLUG L, 22MM X 1.5	1	
3	1023	SCREW, HHC 3/8-16 X 1 1/4 GR5	2	
4	0166 A	WASHER, LOCK, 3/8 MED.	2	
5	42602-09	ADAPTER, 4 TO 2 HOLE, PT	1	
6	42602-02	PTO, FLYWHEEL	1	
7	42602-08	COVER PLATE,PTO	1	
8	15538	CLAMP, HOSE WORM #6, 7/16" TO 11/16"	1	

# ENGINE MOUNTING ASSY.



**NOTE:**

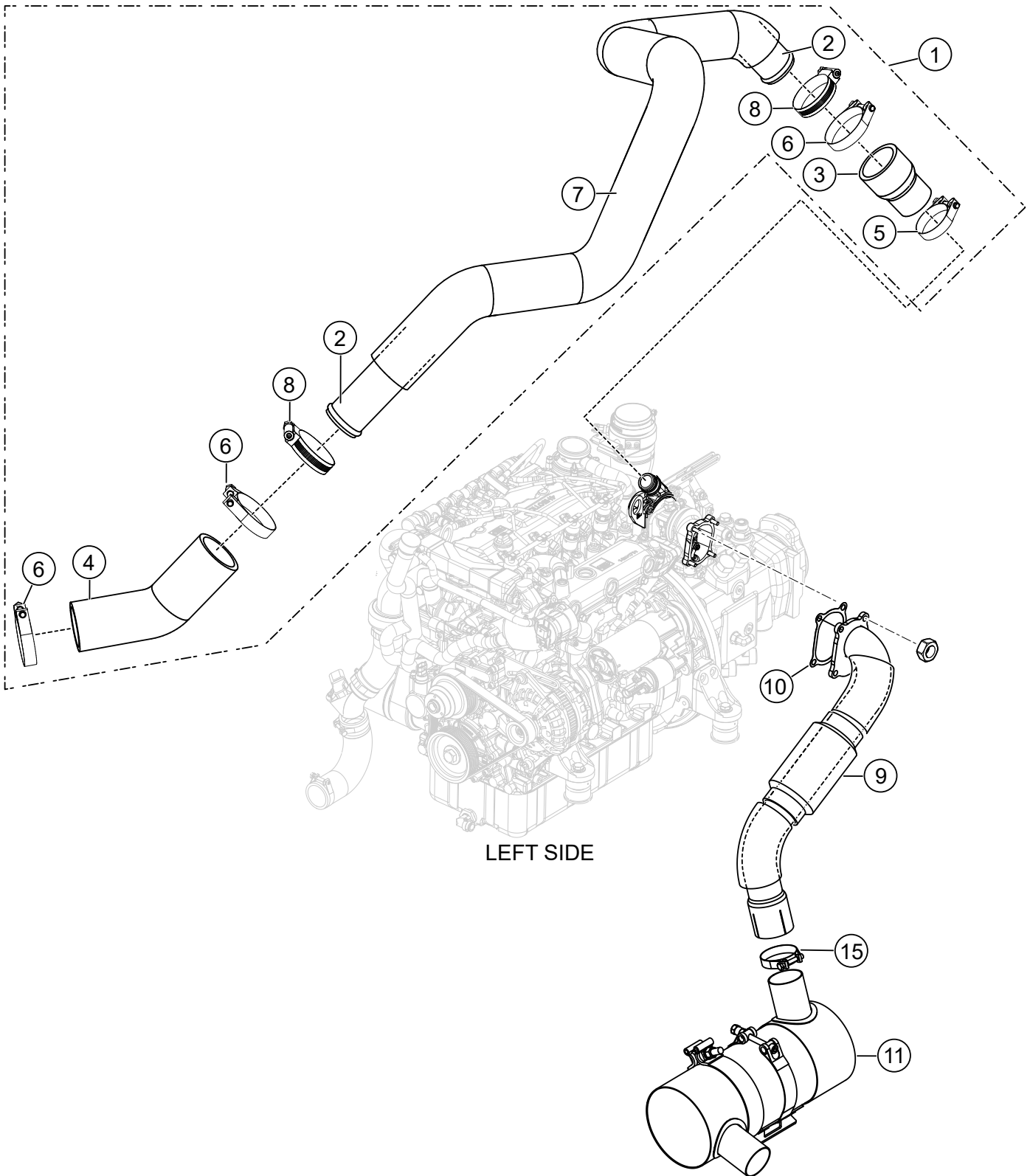
1 INCLUDED WITH ENGINE.

## ENGINE MOUNTING ASSY.

---

<u>NO.</u>	<u>PART NO.</u>	<u>PART NAME</u>	<u>QTY.</u>	<u>REMARKS</u>
1	42888	SCREW, HHC M10-1.50 X 75MM GR10.9	4	
2	940358	WASHER, FLAT, 10MM ID x 20MM OD, ZP	4	
3	42709	MOUNT, ENGINE ISOLATOR, REXROTH-HATZ	4	
4	42889	NUT, HEX NYLOC, M10-1.50, GR10.9	4	

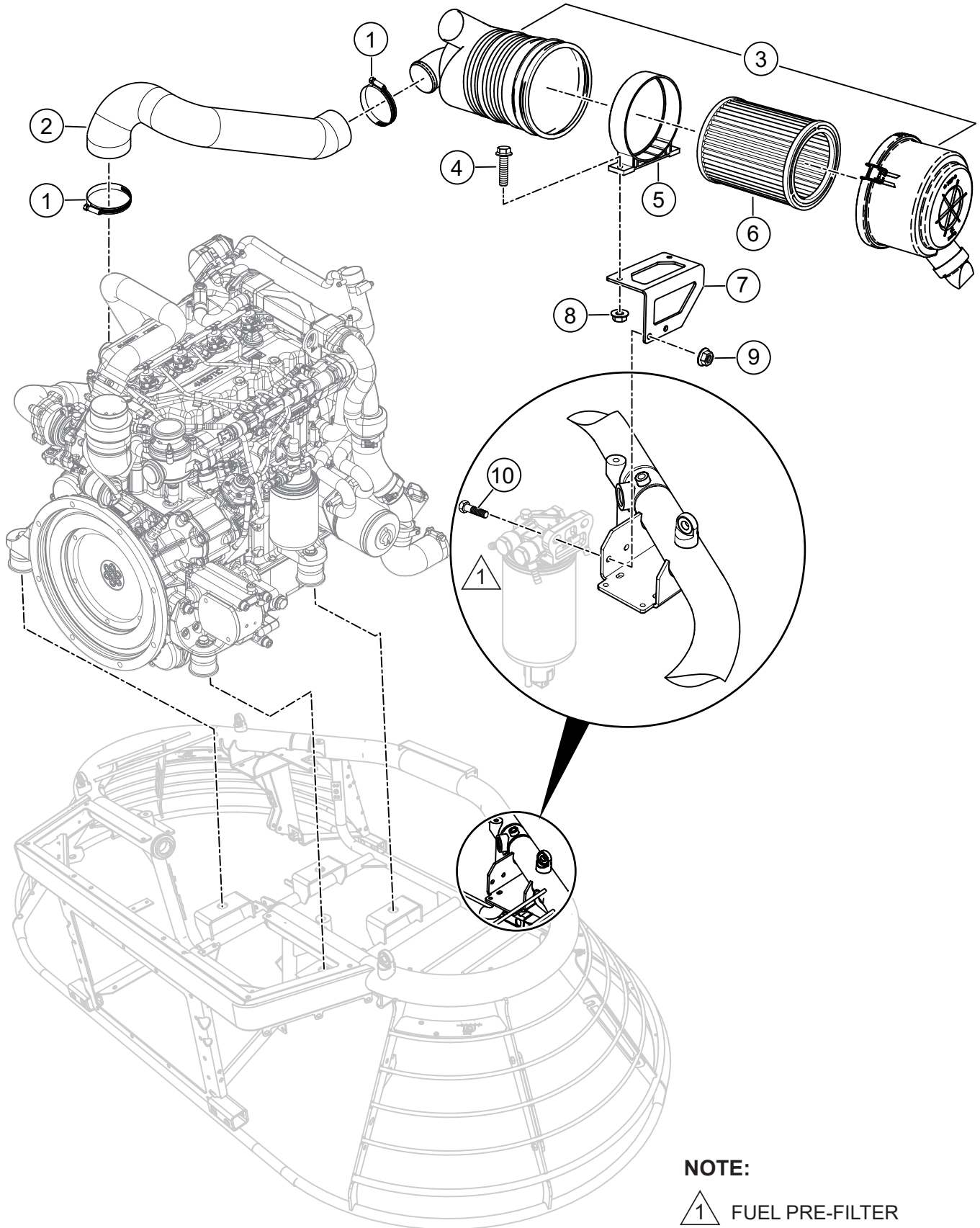
# EXHAUST ASSY.



## EXHAUST ASSY.

<u>NO.</u>	<u>PART NO.</u>	<u>PART NAME</u>	<u>QTY.</u>	<u>REMARKS</u>
1	42742	PIPE ASSY, HOT SIDE CAC .....	1.....	INCLUDESITEMSW/#
2#	42739	PIPE, HOT SIDE CAC	1	
3#	42744	SILICONE BOOT, 1.75" X 35MM, CAC	1	
4#	42759	SILICONE BOOT, 45°, 1.75"X 1.75", CAC	1	
5#	42842	CLAMP, T-BOLT, 43 - 47MM	1	
6#	42841	CLAMP, T-BOLT, 52-59MM	3	
7#	60160	SLEEVE, FIBERGLASS INSULATION 1.5IN (FT).....	4.....	1PC=1FT
8#	962015	CLAMP, WORM #28	2	
9	42691	HEADER, EXHAUST, HATZ .....	1.....	INCLUDESITEMSW/\$
10	42602-12	GASKET, EXHAUST, TURBO TO DOC	1	
11	42602-10	DOC, EXHAUST CANISTER, 4H50TIC	1	
15	42841	CLAMP, T-BOLT, 52-59MM	1	

# AIR CLEANER ASSY.



**NOTE:**

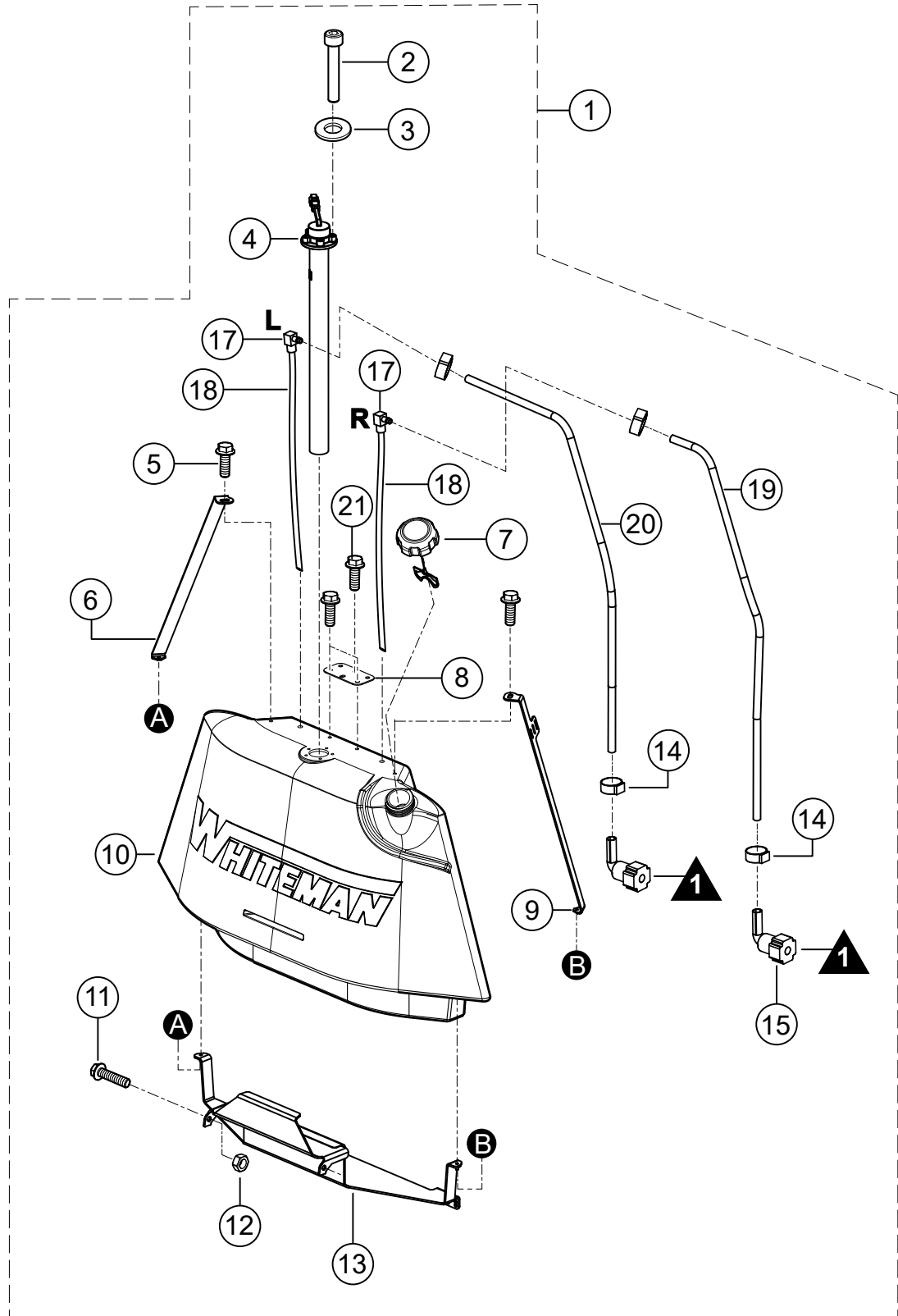
△ 1 FUEL PRE-FILTER INCLUDED WITH ENGINE.

## AIR CLEANER ASSY.

---

<u>NO.</u>	<u>PART NO.</u>	<u>PART NAME</u>	<u>QTY.</u>	<u>REMARKS</u>
1	29218	CLAMP, HOSE WORM #48	2	
2	42746	HOSE, INLET AIR, TIER 4	1	
3	42702	FILTER, AIR 90 DEG, TIER 4	1	
4	42436	SCREW, HFS, ZP, M8-1.25 x 25, CLASS 8.8	2	
5	42703	MOUNT, DONALDSON G065411 AIR FILTER	1	
6	42702-1	FILTER, AIR, ELEMENT	1	
7	42707	PLATE, AIR CLEANER MOUNT,	1	
8	23802	NUT, HEX FLANGE M8-1.25 SERRATED	2	
9	42353	NUT, HEX, SERRATED-FLANGE, M10 -1 .5	2	
10	21584	SCREW, HHC M10-1.5 X 35MM GR10.9	2	

# FUEL SYSTEM ASSY.



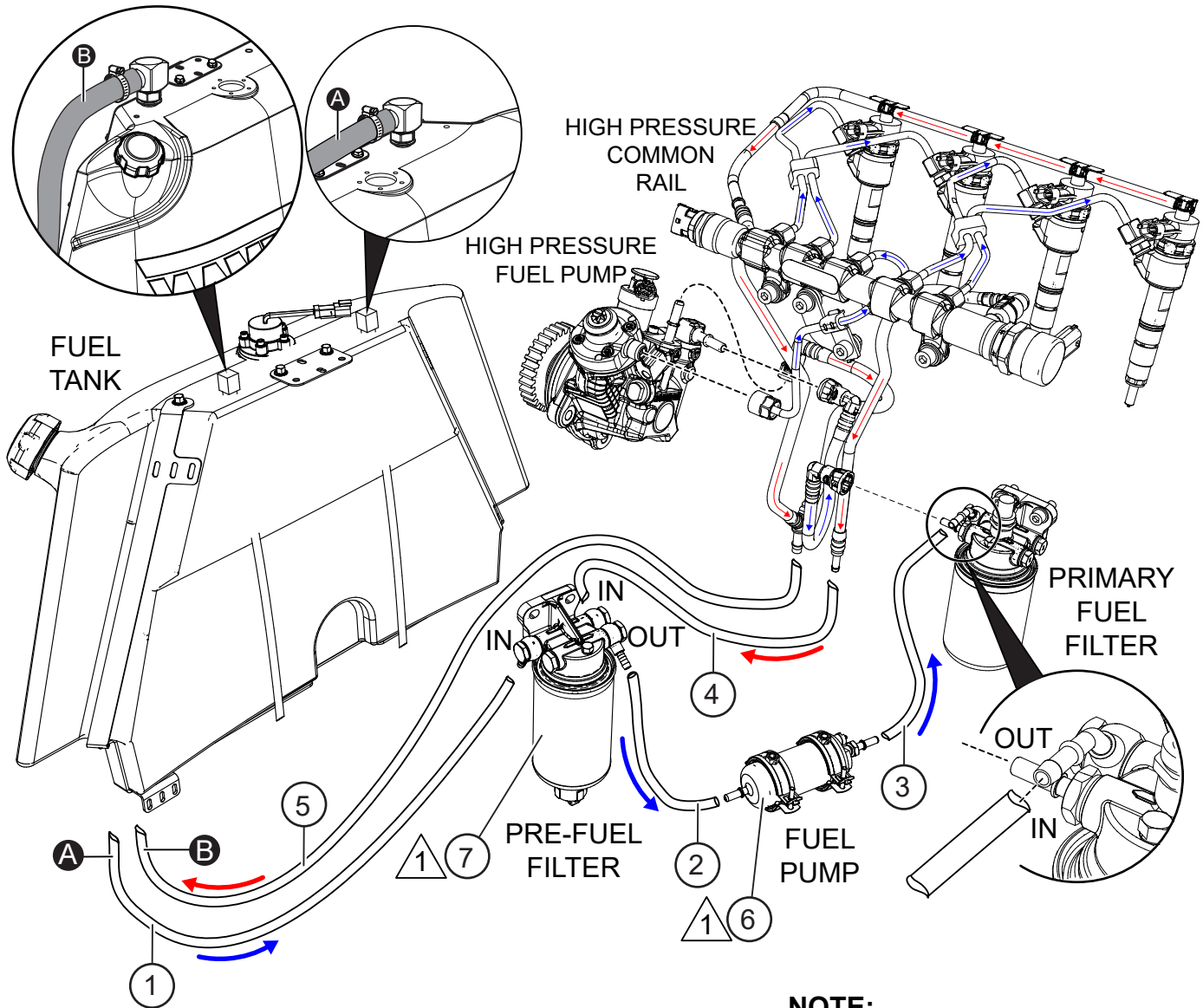
NOTE:

**1** SEE FUEL PUMP /FUEL FILTER ASSY

## FUEL SYSTEM ASSY.

<u>NO.</u>	<u>PART NO.</u>	<u>PART NAME</u>	<u>QTY.</u>	<u>REMARKS</u>
1	42766	TANK ASSEMBLY, FUEL .....	1.....	INCLUDES ITEMS W/@
2@	37325	SCREW, SHC M5 - 0.8 X 30MM	5	
3@	28922-058	WASHER M5	5	
4@	42423	SENDING UNIT, FUEL	1	
5@	42342	SCREW, HFS, ZP, M8-1.25 X 16, CLASS 8.8	4	
6@	42426	BRACKET, FUEL TANK STRAP, LEFT	1	
7@	42799	CAP, YELLOW DIESEL W/LANYARD	1	
8@	42292	PLATE, FUEL TANK TETHER	1	
9@	42425	BRACKET, FUEL TANK STRAP, RIGHT	1	
10@	42105	TANK, GEN. 3 DIESEL, 10 GAL	1	
11@	42343	SCREW, HFS, ZP, M8-1.25 x 20, CLASS 8.8	2	
12@	42344	NUT,NYLOC, M8-1.25, CLASS 8.8	2	
13@	42429	BRACKET, FUEL TANK, WELDMENT	1	
14@	37822	CLAMP, 15.3 OETIKER STEPLESS EAR	4	
15@	42458	FITTING, FUEL, .312, 90° SAE	2	
17@	42501	LINE FUEL TANK PICKUP	2	
18@	42459	HOSE, RUBBER FUEL, SAE J2260 CAT. 1	2	
19@	42758	LINE, FUEL INLET	1	
20@	42754	LINE, FUEL OUTLET	1	
21@	42325	SCREW, BHSC, M6-1.0 X 20, FLANGED	1	

# FUEL PUMP AND FUEL FILTER ASSY.



**NOTE:**

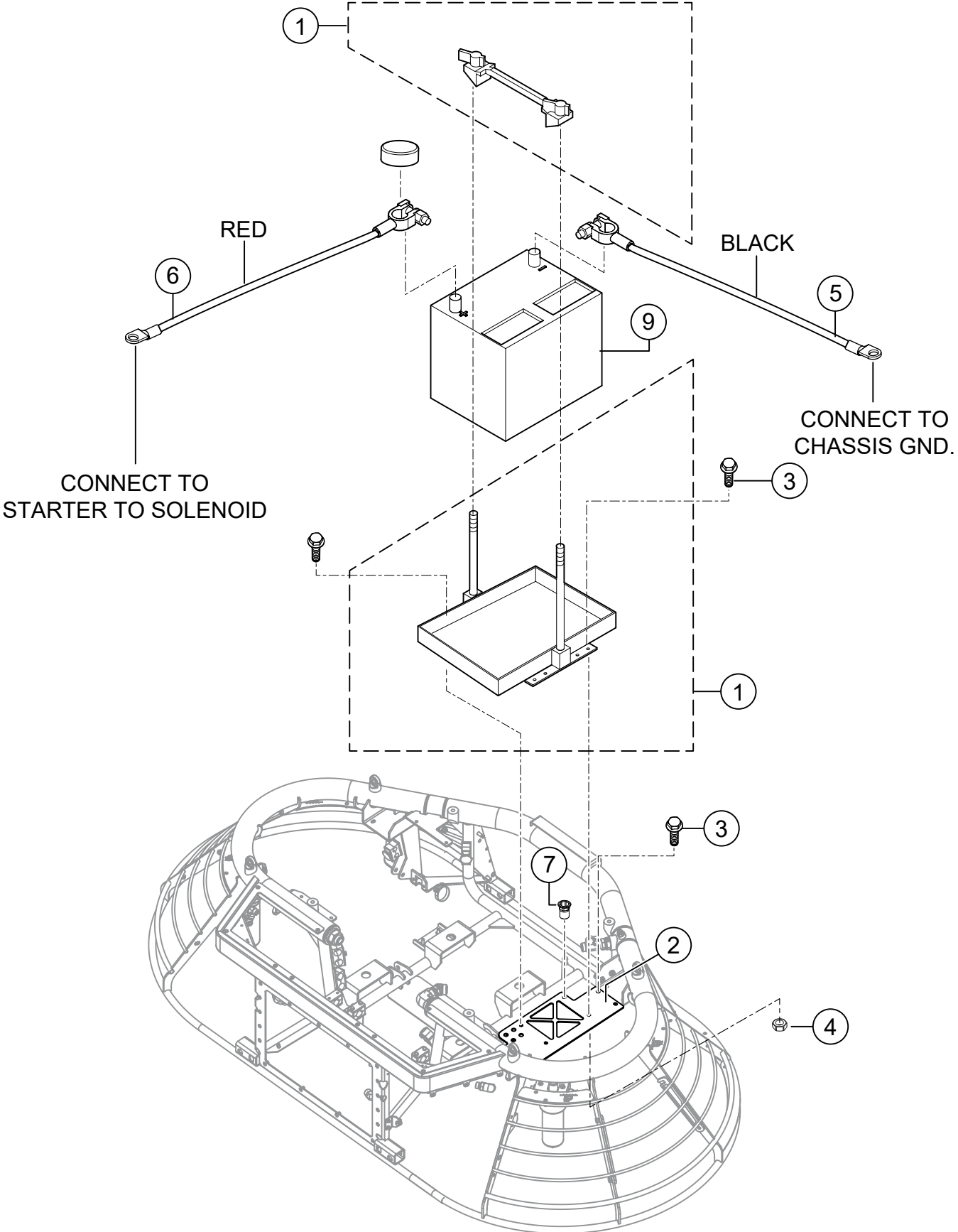
**1** INCLUDED WITH ENGINE.

## **FUEL PUMP AND FUEL FILTER ASSY.**

---

<b><u>NO.</u></b>	<b><u>PART NO.</u></b>	<b><u>PART NAME</u></b>	<b><u>QTY.</u></b>	<b><u>REMARKS</u></b>
1	42754	LINE, FUEL TANK TO PRE-FILTER, 2.58 FT (31 IN) .....	3.....	1PC=1FT
2	42755	LINE, FUEL, PRE-FILTER TO SUPPLY PUMP, 2.13 FT (25.5 IN) .....	3.....	1PC=1FT
3	42756	LINE, SUPPLY PUMP TO MAIN FILTER, 2.46 FT (29.5 IN).....	3.....	1PC=1FT
4	42757	LINE, FUEL RETURN RAIL TO PRE-FILTER, 1.75 FT (21 IN) .....	2.....	1PC=1FT
5	42758	LINE, FUEL, ENGINE RETURN TO TANK, 5.25 FT (63 IN).....	6.....	1PC=1FT
6	42602-04	PUMP, FUEL.....	1.....	INCLUDEDW/ENGINE
7	42602-06	PRE-FILTER, FUEL.....	1.....	INCLUDEDW/ENGINE

# BATTERY ASSY.

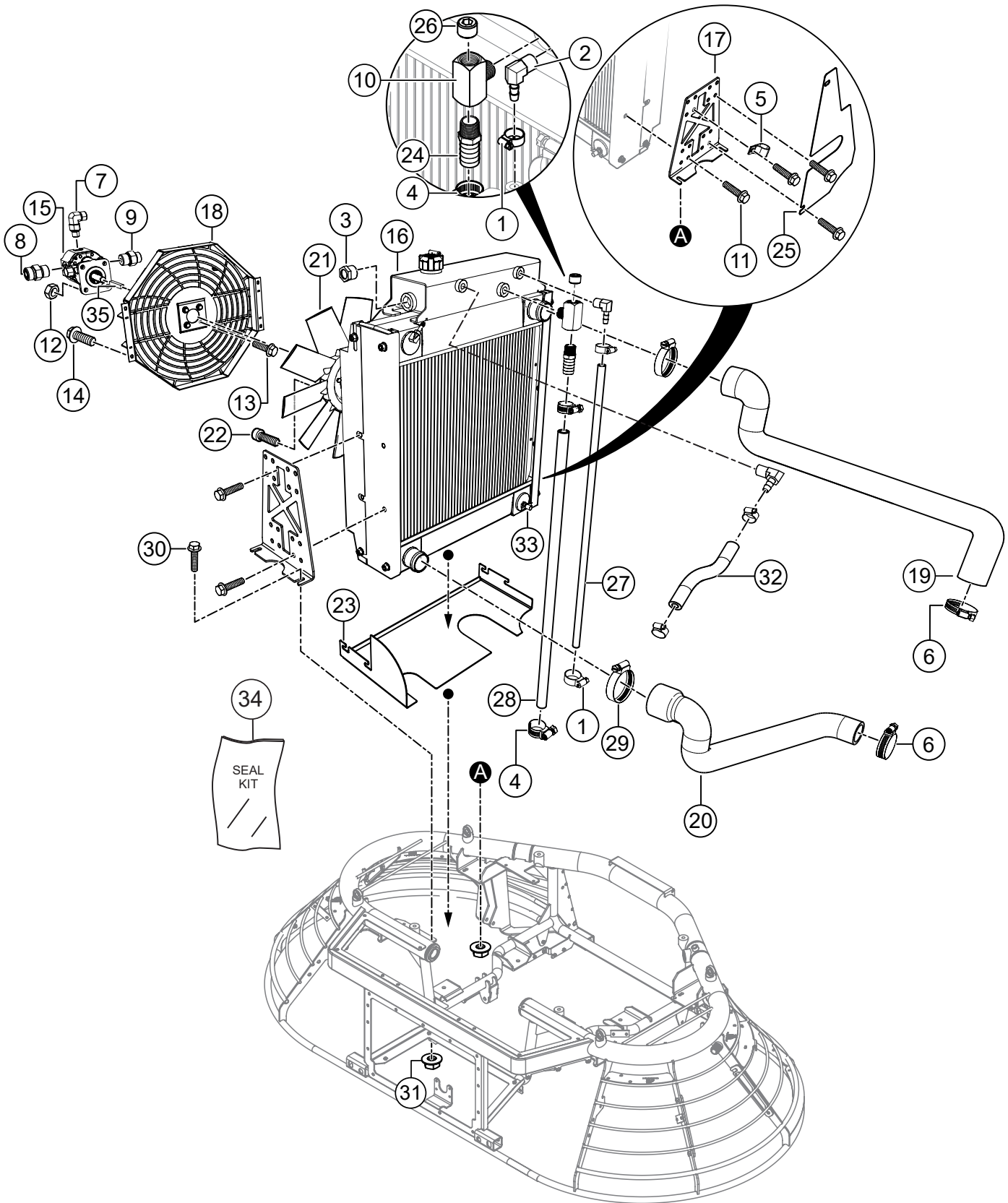


## BATTERY ASSY.

---

<u>NO.</u>	<u>PART NO.</u>	<u>PART NAME</u>	<u>QTY.</u>	<u>REMARKS</u>
1	29661	KIT, W/TOP/STUDS/NUTS/TRAY	1	
2	42634	PLATE, BATTERY	1	
3	42436	SCREW, HFS, ZP, M8-1.25 x 25, CLASS 8	6	
4	23802	NUT, HEX FLANGED M8-1.25 SERRATED ZN	6	
5	12278	CABLE, BATTERY NEG 4 GA X 32 X 3/8	1	
6	19303	CABLE, BATTERY POS 4 GA X 48" POST	1	
7	42496	RIVNUT FASTENER, HALF HEX LONG FLNG, M6 X 1	4	
9		BATTERY, OPTIMA 8022-091 .....	1	.....USE OPTIMA P/N 8022-091

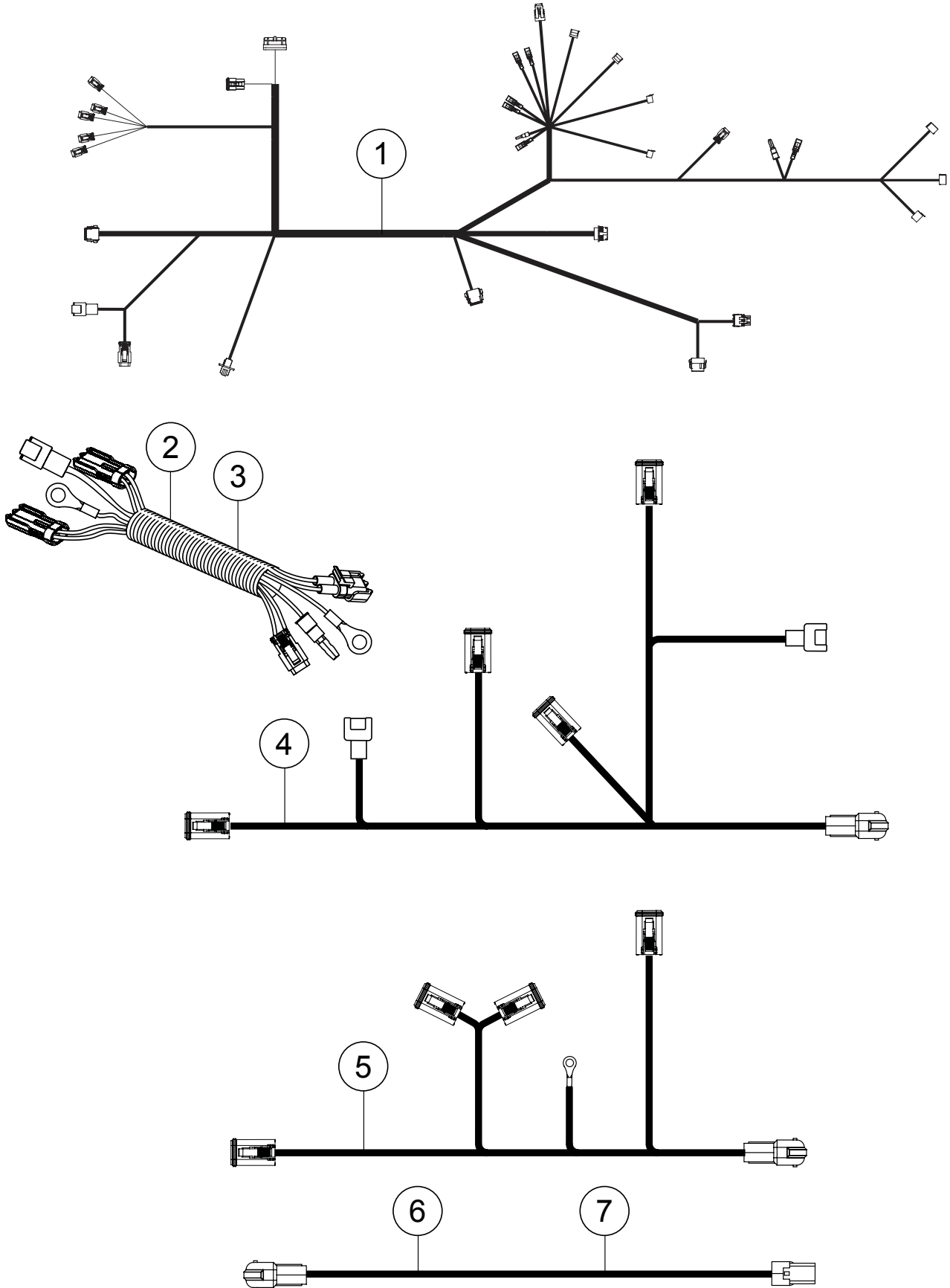
# RADIATOR MOUNTING HARDWARE ASSY.



## RADIATOR MOUNTING HARDWARE ASSY.

<u>NO.</u>	<u>PART NO.</u>	<u>PART NAME</u>	<u>QTY.</u>	<u>REMARKS</u>
1	15538	CLAMP, HOSE WORM # 6	4	
2	17206	FITTING, 90 5BARB - 1/4 MP	2	
3	21033	SIGHT GLASS, 3/4 NPT, STEEL, NO BALL	1	
4	23119	CLAMP, HOSE WORM, LINED S.S. 3/4" TO 1 1/8"	2	
5	25647	CLAMP, HOSE 3/4 LOOP X .406 HOLE	1	
6	26405	CLAMP, HOSE WORM # 20	2	
7	32347	FITTING, 90 4MORFS x 4MOR	1	
8	32425	FITTING, STR 8MORFS x 8MOR	1	
9	32716	FITTING, STR 6MORFS x 8MOR	1	
10	367727	FITTING, TEE 3/8FP - 3/8MP - 3/8FP	1	
11	42342	SCREW, HFS, ZP, M8-1.25 x 16, CLASS 8.8	8	
12	42344	NUT, NYLOC, M8-1.25, CLASS 8.8	4	
13	42436	SCREW, HFS, ZP, M8-1.25 x 25, CLASS 8.8	4	
14	42542	SCREW HFS, ZP, M6-1.0 X 16	4	
15	42613	MOTOR, 3.7 CC FIXED GEAR	1	
16	42706	COOLER, HATZ 4H50TIC ENGINE	1	
17	42712	BRACKET, RADIATOR	2	
18	42723	MOUNT, 17" RADIATOR FAN	1	
19	42732	HOSE, UPPER RADIATOR, TIER 4	1	
20	42745	HOSE, LOWER RADIATOR, TIER 4	1	
21	42833	FAN, 17" STR BLADE, TIER 4 RADIATOR	1	
22	42944	SCREW, SHC 10-24 X 1-1/4"	3	
23	42951	AIR SHIELD, LOWER RADIATOR, TIER 4	1	
24	42956	FITTING, STR 3/8 MP - 10BARB, BRASS	1	
25	42957	AIR SHIELD, REAR, TIER 4	1	
26	5016b	FITTING, PLUG 3/8MP HEX SKT HD	1	
27	60016	HOSE, COOLANT, 5/16" ID, 2.84 FEET .....	3.....	1PC=1FT
28	60019	HOSE, COOLANT, 5/8" ID, 2.34 FEET .....	3.....	1PC=1FT
29	962015	CLAMP, WORM #28	2	
30	42436	SCREW, HFS, ZP, M8-1.25 X 25, CLASS 8.8	4	
31	23802	NUT, HEX FLANGE M8-1.25 SERRATED	4	
32	60016	HOSE, COOLANT, 5/16" ID, 0.5 FEET .....	1.....	1PC=1FT
33	42613-1	VALVE, RELIEF	1	
34	42613-2	KIT, SEAL	1	
35	37269	KEY, SQUARE 1/8 X 3/4	1	

# HARNES ASSY.



## **HARNES ASSY.**

---

<u>NO.</u>	<u>PART NO.</u>	<u>PART NAME</u>	<u>QTY.</u>	<u>REMARKS</u>
1	42699	HARNES LH CONSOLE, NO GAGE	1	
2	42700	HARNES RH CONSOLE, POWERVIEW	1	
3	42571	HARNES, MAIN	1	
4	42265	HARNES, FILTER CONNECTION	1	
5	42646	HARNES, FT PLATFORM	1	
6	22796	HARNES, SEAT SWITCH		