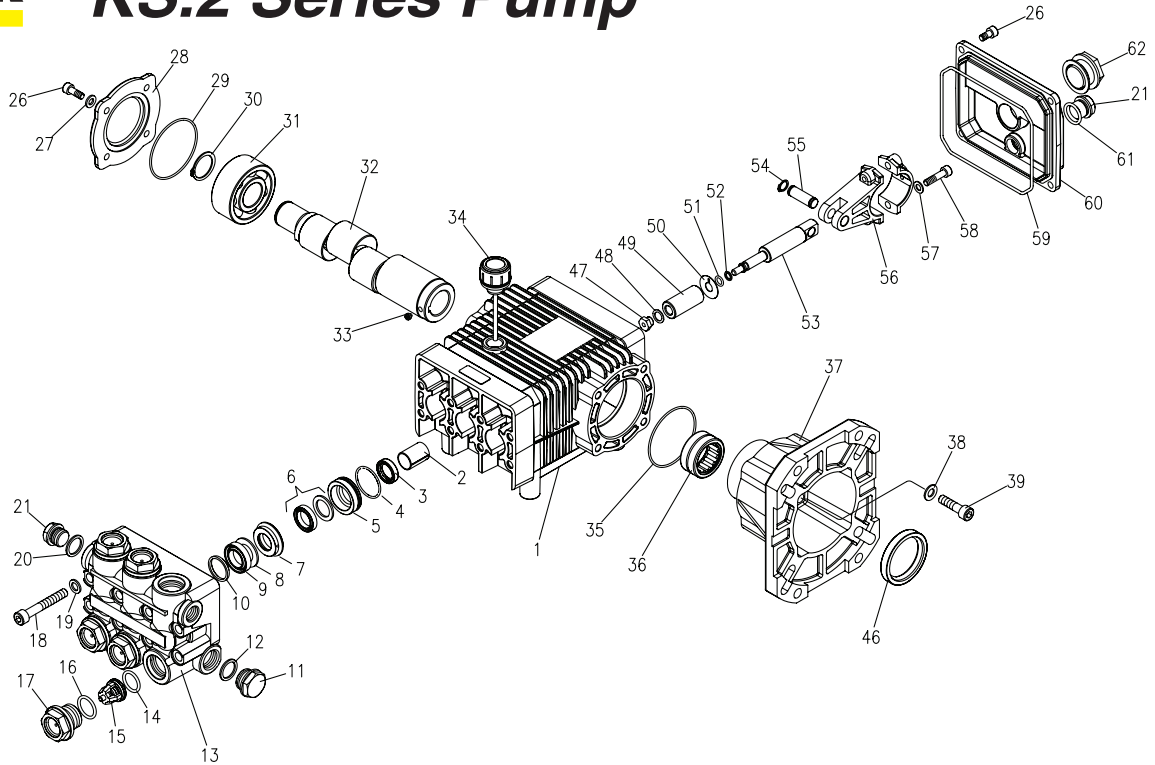


9.841-643.0 KS3040G.2
 9.802-349.0 KS3540G.2
 9.802-350.0 KS4040G.2
 9.803-409.0 KS5030G.2

TORQUE SPECS	
Item #	Ft.-lbs
17	75
18	30
26	7.6
39	10
47	7
58	13



PARTS LIST

ITEM	PART NO.	DESCRIPTION	QTY	ITEM	PART NO.	DESCRIPTION	QTY	ITEM	PART NO.	DESCRIPTION	QTY
1	8.717-129.0	Crankcase	1	26	9.802-939.0	Hexagonal Screw	9	48*	See Kit Below	Washer, Copper, 9.2 x 13.5	3
2	9.803-196.0	Plunger Guide	3	27	9.803-210.0	Washer	4	49*	See Kit Below	Plunger, 15mm	3
3*	See Kit Below	Plunger Oil Seal	3	28	9.803-184.0	Closed Bearing Housing	1	50*	See Kit Below	Copper Spacer	3
4*	See Kit Below	O-Ring Ø1.78 x 31.47	3	29	8.717-225.0	O-Ring Ø 2.62 x61.6	1	51*	See Kit Below	O-Ring Ø1.78x5.28	3
5*	See Kit Below	Pressure Ring	3	30	9.802-914.0	Snap Ring	1	52*	See Kit Below	Teflon Ring	3
6*	See Kit Below	U-Seal, 15mm	3	31	9.803-168.0	Double Row Ball Bearing	1	53	9.803-145.0	Plunger Rod	3
7*	See Kit Below	Intermed. Ring 15mm	3	32	9.803-150.0	Crankshaft (KS3040G.2)	1	54	9.802-913.0	Snap Ring	6
8*	See Kit Below	Back-up Ring	3		9.803-151.0	Crankshaft (KS3540G.2)	1	55	9.802-916.0	Connecting Rod Pin	3
9*	See Kit Below	U-Seal, 15mm	3		9.803-152.0	Crankshaft (KS4040G.2)	1	56	9.803-158.0	Connecting Rod	3
10*	See Kit Below	Support Ring 15mm	3		9.803-153.0	Crankshaft (KS5030G.2)	1	57	9.803-218.0	Spring Washer	6
11	9.802-926.0	Brass Plug, 1/2"	1	33	9.802-945.0	Set Screw	1	58	9.803-238.0	Connecting Rod Screw	6
12	9.803-199.0	Copper Washer 1/2"	1	34	9.802-921.0	Oil Dip Stick	1	59	8.933-016.0	O-Ring 2.62 x 126.67	1
13	9.802-932.0	Manifold Housing	1	35	9.804-581.0	O-Ring Ø 3.53 x 55.56	1	60	8.717-145.0	Crankcase Cover	1
14*	9.803-191.0	O-Ring Ø2.62 x 17.13	6	36	9.803-161.0	Needle Roller Bearing	1	61	9.803-197.0	O-Ring, Ø 1.78 x 14	1
15*	See Kit Below	Valve Assembly	6	37	9.803-183.0	Engine Flange	1	62	9.803-202.0	Sight Glass, G3/4	1
16*	9.803-193.0	O-Ring Ø2.62 x 20.29	6	38	9.803-221.0	Spring Washer	4				
17	9.802-928.0	Valve Plug	6	39	9.803-240.0	Flange Screw	4				
18	9.802-938.0	Manifold Stud Bolt	8	44	9.803-216.0	Washer	4				
19	9.802-884.0	Washer	8	45	9.803-217.0	Spring Washer	4				
20	9.803-198.0	Copper Washer 3/8"	1	46	9.803-142.0	Crankshaft Seal	1				
21	9.802-925.0	Brass Plug 3/8"	2	47*	See Kit Below	Plunger Nut	3				

* Part available in kit (See below)

REPAIR KITS

REPAIR KIT NUMBER	8.725-358.0	8.725-359.0	8.933-023.0	9.802-603.0	9.802-609.0
KIT DESCRIPTION	Plunger U-Seal 15mm	Complete U-Seal Packing 15mm	Plunger 15mm	Complete Valve	Plunger Oil Seals
ITEM NUMBERS INCLUDED	4, 6, 8, 9, 10	4, 5, 6, 7, 8, 9, 10	47, 48, 49, 50, 51, 52	14, 15, 16	3
NUMBER OF CYLINDERS KIT WILL SERVICE	3	1	1	6	3