

**EPA Certified
Wood-Burning
Fireplace Inserts**

**Save These Instructions
For Future Reference**

P/N 775212M, Rev. C, 09/2011



**Performer™ C210
and SWI210**



Performer™ CA210

**Wood Fireplace Inserts
Performer™ Models C210,
CA210 and SWI210**

A French manual is available upon request. Order P/N 775212CF.

Ce manuel d'installation est disponible en français, simplement en faire la demande. Numéro de la pièce 775212CF.

**NATIONAL
FIREPLACE
INSTITUTE**
NFI
CERTIFIED

www.nficertified.org



We recommend that our woodburning hearth products be installed and serviced by professionals who are certified in the U.S. by the National Fireplace Institute® (NFI) as NFI Woodburning Specialists or who are certified in Canada by Wood Energy Technical Training (WETT).

**Wood Energy
Technical Training**
www.wett.org

Tested & Listed By **O-TL** Portland Oregon USA
C-TL US

OMNI-Test Laboratories, Inc.
Report No. 050-S-03b-2

This appliance must be properly installed and operated in order to prevent the possibility of a house fire. Please read this entire installation and operation manual before installing and using your wood fireplace insert. Failure to follow these instructions could result in property damage, bodily injury or even death. Contact your local building or fire officials to obtain a permit and information on any installation requirements and inspection requirements in your area.

	! WARNINGS
	<ul style="list-style-type: none"> • Hot! Do not touch! The glass and surfaces of this appliance will be hot during operation and will retain heat for a while after shutting off the appliance. Severe burns may result. • Carefully supervise children in the same room as appliance.

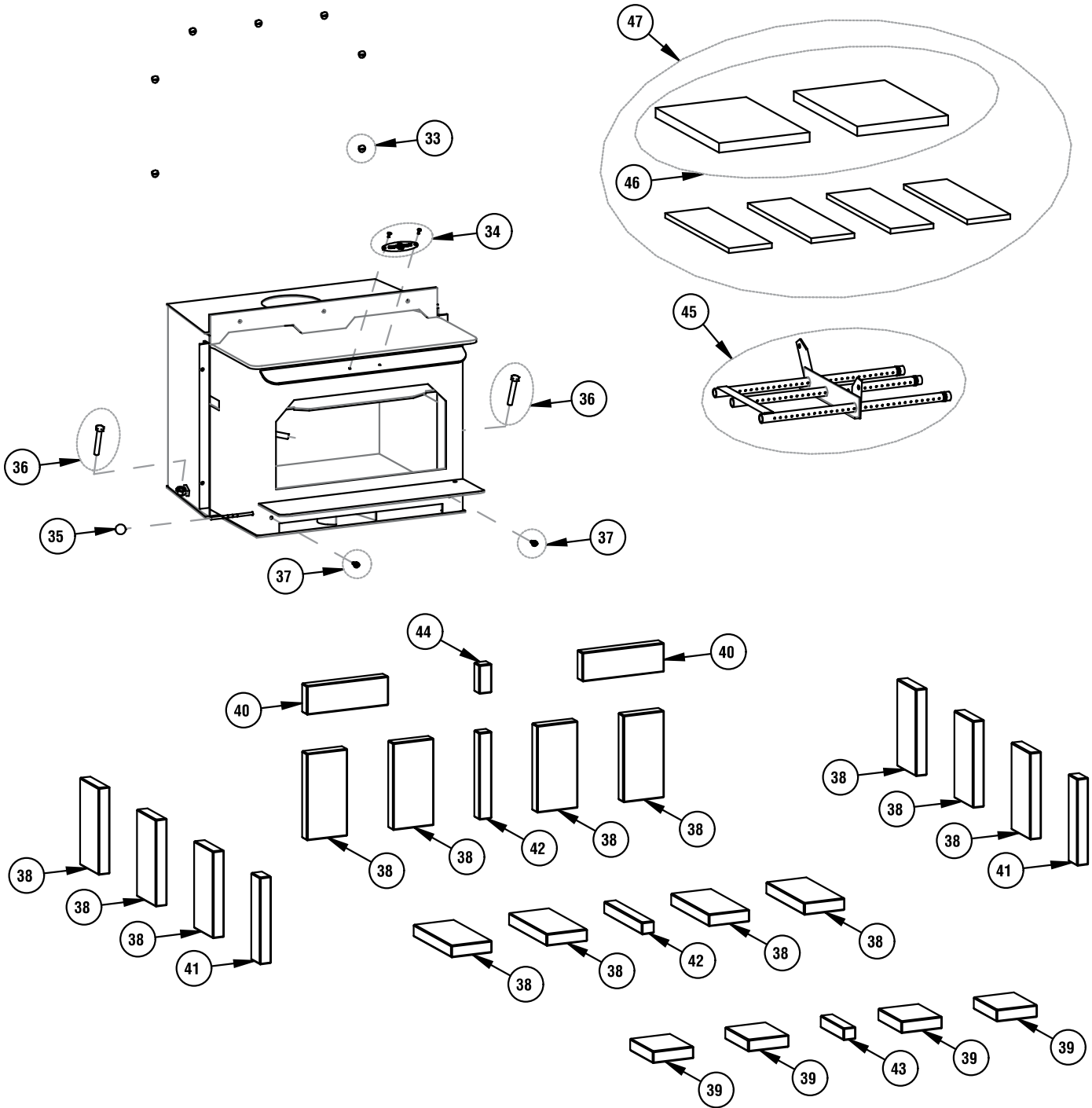
REPLACEMENT PARTS - MODELS C210, CA210 AND SWI210

Contact an Lennox Hearth Products dealer to obtain any of these parts. Never use substitute materials. Use of non-approved parts can result in poor performance and safety hazards.

FRONT DOOR PARTS LIST		
Item #	Cat. No.	Description
1	H5639	Door Rope Kit, 7/8" Dia. (6' 2")
2	H5629	Upper Hinge Pin
3	H5626	Upper Hinge Pin E-Clip
4	H5628	Lower Hinge Pin
5	H5646	Lower Hinge Pin Copper Washer
6	H5640	Glass Gasket Kit (8' 4")
7	H5577	Set of 6 screws and 6 washers for door assembly
8	H5654	Spring Handle / Nickel
	H5653	Spring Handle / Gold
9	71067	Traditional Door Glass / Plain
	71068	Traditional Door Glass / Sailboat
	71063	Traditional Door Glass / Cattail
	71065	Traditional Door Glass / Evergreen
	71066	Traditional Door Glass / Floral
10	71057	Traditional Door Faceplate / Black
	71058	Traditional Door Faceplate / Gold
	71059	Traditional Door Faceplate / Nickel
	71148	Traditional Door Faceplate / Brushed Gold
	71145	Traditional Door Faceplate / Brushed Nickel
11	71072	Arch Door Glass / Plain
	71073	Arch Door Glass / Sailboat
	71069	Arch Door Glass / Cattail
	71070	Arch Door Glass / Evergreen
	71071	Arch Door Glass / Floral
12	71060	Arch Door Faceplate / Black
	71061	Arch Door Faceplate / Gold
	71062	Arch Door Faceplate / Nickel
	71147	Arch Door Faceplate / Brushed Gold
	71144	Arch Door Faceplate / Brushed Nickel
13	H5579	Traditional Door Back w/ Handle (door gasket included)
14	H5578	Arch Door Back w/ Handle (door gasket included)

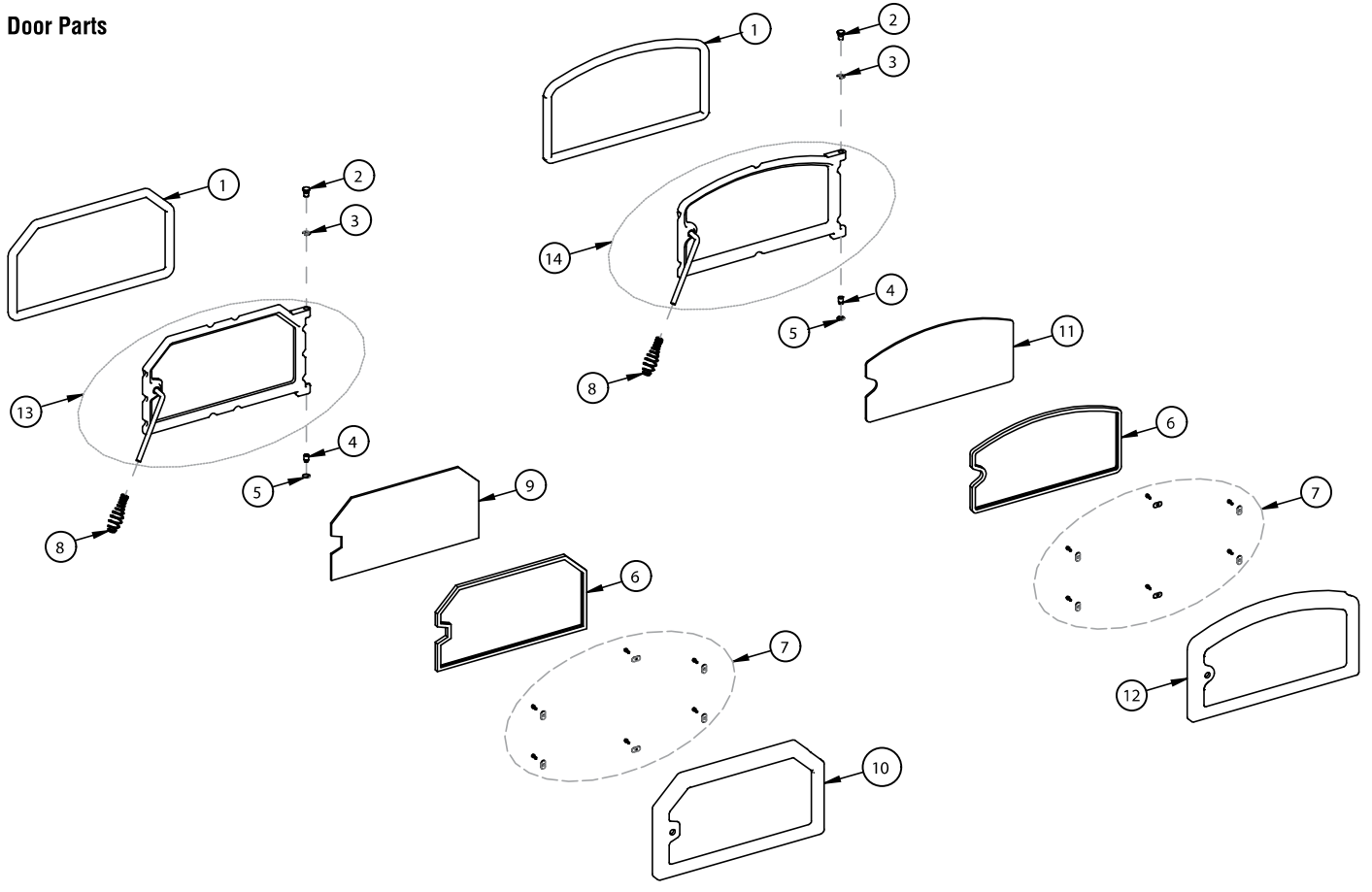
USB BLOWER PARTS		
15	H8067	UHPII Wiring Harness
16	H5655	UHPI & UHPII Blower Speed Control
17	H8068	Snap Switch Bracket w/ hardware
18	H8082	Replacement Power Cord
19	H8074	UHPII Blower Cage-Snap Switch/ Black
	H8075	UHPII Blower Cage-Snap Switch/ Gold
	H8076	UHPII Blower Cage-Snap Switch/ Nickel
	H8077	UHPII Blower Cage-Snap Switch/ Brushed Gold
	H8078	UHPII Blower Cage-Snap Switch/ Brushed Nickel
29	H8064	Snap Switch w/ Gasket and Hardware
32	H8066	Control Switch (Manual, Off, Automatic)
C/A210 AND SWI210 INSERT PARTS		
33	71139	Large Flange Screw/ Black - Seven Needed
	H5294	Large Flange Screw/ Gold - Seven Needed
	H5295	Large Flange Screw/ Nickel - Seven Needed
34	H8079	C/A210 Nameplate Kit w/ Hardware - Nickel (1 ea. Lennox & 1 ea. Country)
	H8080	C/A210 Nameplate Kit w/ Hardware - Gold (1 ea. Lennox & 1 ea. Country)
35	H5650	Draft Rod Knob
36	H5645	Side Leveling Bolts - Two Included
37	H5644	Blower Mounting Bolts - Two Needed
38	H5612	Firebrick 4-1/2" x 9" (14 per stove)
39	H5606	Firebrick 4-1/2" x 5-1/2" (4 per stove)
40	H5605	Firebrick 3" x 9" (2 per stove)
41	H5611	Firebrick 2-1/8" x 9" (2 per stove)
42	H5599	Firebrick 1-1/2" x 9" (2 per stove)
43	H3096	Firebrick 1-1/2" x 5-1/2" (1 per stove)
44	H5603	Firebrick 1-1/2" x 3" (1 per stove)
45	H5571	Complete Baffle/Secondary Burn Tube Assembly (includes tubes and all mounting hardware)
46	H8019	Baffle Blankets 15-1/4" x 12-1/2" x 1" - Two Included
47	H8018	Baffle Board Kit w/ Baffle Blankets
MISCELLANEOUS PARTS		
	71052	Dry Graphite (Apply to door handle and door hinges)
	H5633	Anti Seize 2 gram pouch

REPLACEMENT PARTS - MODELS C210, CA210 AND SWI210

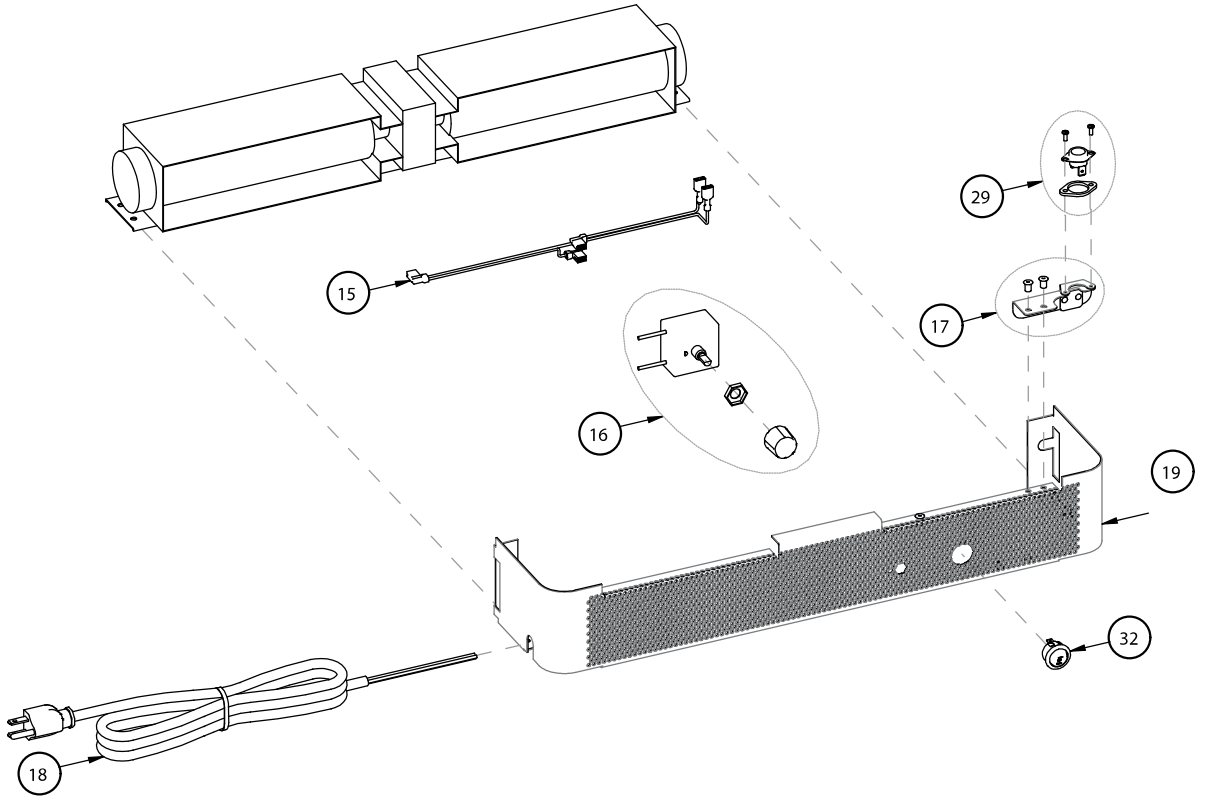


REPLACEMENT PARTS - MODELS C210, CA210 AND SWI210

Door Parts



Blower Parts



NOTE: DIAGRAMS & ILLUSTRATIONS ARE NOT TO SCALE.

ACCESSORIES - MODELS C210, CA210 AND SWI210

Product Reference Information

Cat. No.	Description	Ship. Weight	Ship. Volume
H7891	C210T-B, Insert / Traditional Black Door / Nickel Nameplate	427 lb.	18.30 cu. ft.
H7892	C210A-B, Insert / Arch Black Door / Nickel Nameplate	426 lb.	18.35 cu. ft.
H8403	SWI210, Insert / Traditional Black Door	427 lb.	18.30 cu. ft.

SURROUND PANELS / TOP AND SIDES (REQUIRED)

Cat. No.	Model	Description
		26-1/2" x 40":
71038	WFPT0740-L	Top Surround 7-1/2" x 40"
71033	WFPS0718	Side Surrounds 7-1/2" x 18-3/4"
		26-1/2" x 48":
71039	WFPT0748-L	Top Surround 7-1/2" x 48"
71034	WFPS1118	Side Surrounds 11-1/2" x 18-3/4"
		30-1/2" x 40":
71040	WFPT1140-L	Top Surround 11-1/2" x 40"
71033	WFPS0718	Side Surrounds 7-1/2" x 18-3/4"
		30-1/2" x 48":
71041	WFPT1148-L	Top Surround 11-1/2" x 48"
71034	WFPS1118	Side Surrounds 11-1/2" x 18-3/4"

FACEPLATE KITS

H7901	ARCH-FPK-BG	Arch Faceplate, Brushed Gold
H7902	TRAD-FPK-BG-SM	Traditional Faceplate, Brushed Gold
H7904	ARCH-FPK-G	Arch Faceplate, Gold
H7905	TRAD-FPK-G-SM	Traditional Faceplate, Gold

SURROUND TRIM - THESE ARE NOT REQUIRED BUT AN OPTION

71021	WFT2640-B	Black 26-3/4" x 40"
71022	WFT2648-B	Black 26-3/4" x 48"
71025	WFT3040-B	Black 30-3/4" x 40"
71026	WFT3048-B	Black 30-3/4" x 48"
71007	WFT2640-G	Gold 26-3/4" x 40"
71008	WFT2648-G	Gold 26-3/4" x 48"
71011	WFT3040-G	Gold 30-3/4" x 40"
71012	WFT3048-G	Gold 30-3/4" x 48"
71074	WFT2640-N	Nickel 26-3/4" x 40"
71075	WFT2648-N	Nickel 26-3/4" x 48"
71078	WFT3040-N	Nickel 30-3/4" x 40"
71079	WFT2948-N	Nickel 30-3/4" x 48"

BLOWERS

Cat. No.	Model	Description
H7907	WSINS-BLWR-B-SS	Blower Insert Black
H7908	WSINS-BLWR-G-SS	Blower Insert Gold
H7909	WSINS-BLWR-N-SS	Blower Insert Nickel
H7910	WSINS-BLWR-BN-SS	Blower Insert Br-nkl
H7911	WSINS-BLWR-BG-SS	Blower Insert Br-gold

MISC. PARTS

71053	Paint Gold (1/2 Pint)	Paint Gold (1/2 pint)
71054	Paint Nickel (1/2 Pint)	Paint Nickel (1/2 pint)
H8159	TSPK-B	Touch-Up Paint , Metallic Black, 12 oz. Aerosol
H5296	FRNT-SPPT	Front Support 40"- 48" Width / 8"- 0" Height (ref. form #775305M)
H6832	OFFADJFLUEBX6SM	Adjustable Offset Flue Box, 6" Flue to 6" Exhaust (0-6")
H6833	OFFADJFLUEBX6LG	Adjustable Offset Flue Box, 6" Flue to 6" Exhaust (6-12")
71161	WINS-6FC	6" Positive Flue Connector Ring Kit (ref. form #775232M)

SAFETY / LISTING LABEL - MODELS C210, CA210 AND SWI210

CONTACT YOUR LOCAL BUILDING OR FIRE OFFICIALS ABOUT RESTRICTIONS AND INSTALLATION INSPECTION IN YOUR AREA
COMMUNIQUEZ AVEC LES AUTORITÉS LOCALES EN BÂTIMENT OU LE SERVICE DE PRÉVENTION DES INCENDIES POUR CONNAÎTRE LES NORMES D'INSTALLATION ET D'INSPECTION DE VOTRE RÉGION

Listed Factory-built or Masonry Fireplace Accessory/Insert / Poêle encastrable certifié pour installation dans un foyer de maçonnerie ou préfabriqué



Manufactured By / Fabriqué Par:
LENNOX HEARTH PRODUCTS
PO BOX 987
Auburn, WA 98071 USA



"PREVENT HOUSE FIRES"

Install and use only in accordance with manufacturer's installation instructions and your local building codes. Do not connect this unit to a chimney flue serving another appliance.

Optional Blower, Part No.s: H7907 (black), H7908 (gold), H7909 (nickel), H7911 (brushed gold), H7910 (brushed nickel)
Blower Electrical Rating: 120V, 60 Hz, 1 Amp
Do not route power cord under or in front of appliance.

Report No./Numéro de Rapport: 050-S-03b-2
(Test Date Jan. 1999 / Testé le 11 Janvier 1999)

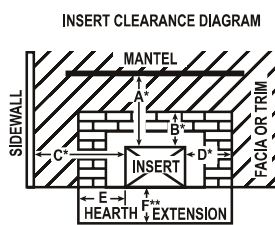
Serial No.
Numéro de série

C210-

Model / Modèle: **PERFORMER C-210** ■
PERFORMER CA-210 ■

Tested to/ Testé selon: UL 1482, ULC S628-93

Minimum Clearance to Combustible Materials - Inches (millimeters)



- (A) Clearance from Insert top to Mantel = USA-24", CAN-32" (813mm). Maximum mantel depth = 9"
- (B) Clearance from insert top to combustible = USA -18" CAN-26" (660mm)
- (C) Minimum clearance to combustible sidewall = 18" (450mm)
- (D) Minimum clearance to combustible side trim = 15" (381mm)
- (E) Minimum distance of floor protection to the side = 8" (200mm). This is measured from the sides of the door opening in the USA and from the sides of the insert in Canada.
- (F) Minimum distance from front of insert to combustible = 18" (450mm)

The hearth and/or floor protection must be a thermally rated non-combustible hearth/floor protector meeting or exceeding a thermal rating of k=.84 or equivalent with a listed thickness of 3/8" (9.5mm) minimum in USA (3/4" - 19mm minimum in Canada). Install only in a masonry fireplace, built to UBC Chapter 37 or approved factory-built fireplace (USA only - see owner's manual). Do not remove brick or mortar from masonry fireplace to accommodate insert. Use flue outlet with or without a direct connector. Approved with minimum 6" (152mm) diameter stainless steel listed reline system. Remove and clean behind unit frequently, as creosote build up may occur rapidly. See owner's manual for reductions on mantel, trim and floor protection.

* Reduced clearances may be available for A, B, C, and D dimensions by using optional mantel and/or side shields. Consult with your Lennox Hearth Products dealer for the dimensions of the shields.

** Hearth extension reductions: 2" (51mm) reduction for 2" (51mm) raised hearth. 16" (406mm) minimum hearth extension on all inserts as measured from the door opening of the unit.



CAUTION - HOT WHILE IN OPERATION. DO NOT TOUCH. KEEP CHILDREN, CLOTHING, FURNISHINGS AND COMBUSTIBLE MATERIAL A CONSIDERABLE DISTANCE AWAY. CONTACT MAY CAUSE SKIN BURNS. SEE NAMEPLATE AND INSTRUCTIONS. DO NOT OVERFIRE. IF HEATER OR CHIMNEY CONNECTOR GLOWS, YOU ARE OVERFIRING. INSPECT AND CLEAN CHIMNEY AND CONNECTOR FREQUENTLY. UNDER CERTAIN CONDITIONS OF USE, CREOSOTE BUILDUP MAY OCCUR RAPIDLY. DO NOT USE GRATE OR ELEVATE FIRE - BUILD WOOD FIRE DIRECTLY ON HEARTH. FEED DOOR MUST BE CLOSED DURING FIRING EXCEPT WHEN ADDING FUEL. KEEP ASH DOOR CLOSED TO AVOID EXCESS HEAT. DANGER: RISK OF ELECTRICAL SHOCK.

DISCONNECT POWER BEFORE SERVICING UNIT. TYPE OF FUEL: SOLID WOOD ONLY.

Date of Manufacture / Date De Fabrication

2011	2012	2013	JAN.	FEB.	MAR.	APR.	MAY	JUN	JUL	AUG	SEP	OCT	NOV	DEC
■	■	■	JANV	FEVR	MARS	AVR	MAI	JUIN	JUIL	AOÛT	SEPT	OCT	NOV	DEC

U.S. ENVIRONMENTAL PROTECTION AGENCY

Certified to comply with July 1990 particulate emission standards.

Part No./ No. pièce #36215 Rev. B, 1/2010 DO NOT REMOVE THIS LABEL Made in U.S.A.

"PREVENTION DES INCENDIES"

Installer et utiliser l'appareil en conformité avec les directives d'installation du fabricant et des autorités locales en bâtiment ou le service de prévention des incendies. Ne pas brancher cette unité à un conduit de fumée raccordé à un autre appareil.

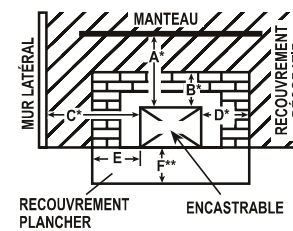
Ventilateur Optionnel, No. De Pièces: H7907 (noir), H7908 (plaqué or), H7909 (plaqué nickel), H7911 (plaqué or, fini brossé), H7910 (plaqué nickel, fini brossé)
Spécification Électrique Du Ventilateur: 120V, 60 Hz, 1 Amp
Trans Flow, QLN 652424-3045L

Type de combustible: Bois seulement

Ne pas faire passer le fil électrique sous ou en avant de l'appareil

Dégagements Minimums Aux Matériaux Combustibles - En Pouces (millimètres)

DÉGAGEMENT REQUIS POUR L'ENCASTRABLE



- (A) Espace entre l'encastrable et le manteau de cheminée = USA-24", CAN-32" (813mm). Profondeur maximum de la tablette du manteau de cheminée 9"
- (B) Espace entre l'encastrable et les matériaux combustibles du haut = USA -18" CAN-26" (660mm)
- (C) Espace minimum entre l'encastrable et le mur de côté combustible = 18" (450mm)
- (D) Espace minimum entre l'encastrable et les matériaux combustibles du côté = 15" (381mm)
- (E) Minimum requis de matériel non combustible au plancher, de chaque côté de l'ouverture de l'appareil = 8" (200mm)
- (F) Minimum requis de matériel non combustible à l'avant de l'appareil = 18" (450mm)

Le panneau protecteur de plancher doit être un matériel non combustible, dont l'épaisseur minimale est de 3/4" - 19mm (3/8" - 9.5mm USA) et dont le facteur k est de 0,84 ou l'équivalent. Installer seulement dans un foyer de maçonnerie construit selon UBC Chapitre 37 ou dans un foyer approuvé par le fabricant (référez-vous au manuel). Ne pas enlever de ciment ou de briques pour installer l'encastrable. L'installation de la cheminée peut s'effectuer avec ou sans connecter à la sortie de l'appareil. Approuvé pour raccordement avec un conduit de tubage certifié en acier inoxydable de 6" (152mm) de diamètre. Tirer l'appareil et nettoyer l'arrière fréquemment car le créosote peut s'y accumuler rapidement.

*Les dégagements minimums peuvent être réduits pour A, B, C, D en utilisant un manteau optionnel et / ou des protecteurs latéraux. Contacter votre détaillant Lennox pour la dimension des protecteurs requise.

**Réduction du recouvrement de plancher : 2" (51mm) de moins si l'encastrable est élevé de 2" (51mm). Respecter 16" (406mm) de recouvrement de plancher minimum à l'avant de l'encastrable.



ATTENTION: L'APPAREIL EST CHAUD LORS DE L'OPÉRATION. NE PAS Y TOUCHER. RISQUE DE BRÛLURES CUTANÉES. TENIR LES ENFANTS, LES MATÉRIELLES COMBUSTIBLES, LES VÊTEMENTS ET LES MEUBLES ÉLOIGNÉS DE L'APPAREIL. VOIR LA PLAQUE SIGNALÉTIQUE ET LES DIRECTIVES. NE PAS SURCHAUFFER L'APPAREIL. SI L'APPAREIL OU LE TUYAU DE CHEMINÉE ROUIT, VOUS SURCHAUFFEZ. INSPECTER ET NETTOYER LA CHEMINÉE

ET LE TUYAU CONNECTEUR FRÉQUEMMENT. SOUS CERTAINES CONDITIONS, IL SE PEUT QUE LE CRÉOSOTE S'ACCUMULE RAPIDEMENT. NE SURÉLÉVER PAS LE FEU À L'AIDE D'UN CHENET, DÉPOSER LES BÛCHES DE BOIS DIRECTEMENT SUR L'ÂTRE. LA PORTE DOIT ÊTRE FERMÉE PENDANT L'USAGE SAUF POUR ALIMENTER LE FEU. GARDER LA PORTE "BY-PASS" (CENDRES) FERMÉE POUR ÉVITER DE SURCHAUFFER.

DANGER: RISQUES DE DÉCHARGE ÉLECTRIQUE. DÉCONNECTER LE FIL ÉLECTRIQUE DE LA PRISE DE CONTACT AVANT LE SERVICE. NE PAS FAIRE PASSER LE FIL ÉLECTRIQUE SOUS OU EN AVANT DE L'APPAREIL.

TYPE DE COMBUSTIBLE: BOIS SEULEMENT

NE PAS ENLEVER OU RECOUVRIRE CETTE ÉTIQUETTE

Fabriqué aux U.S.A.

IGN 09-2570