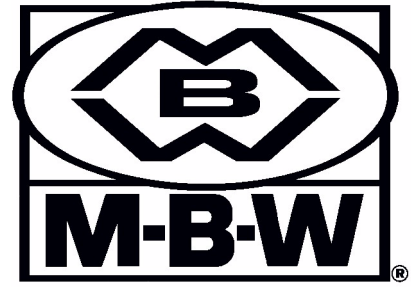


OPERATOR'S SAFETY AND SERVICE MANUAL



BMS74, BMS75 & BMS95

This manual covers the following serial numbers
and higher for each model listed:

BMS74 0740010
BMS75 1040000
BMS95 1060000



CONCRETE SPRAYERS: FOR WATER BASE MATERIALS ONLY

MBW, Inc.
250 Hartford Rd • PO Box 440
Slinger, WI 53086-0440
Phone: (262) 644-5234
Fax: (262) 644-5169
Email: mbw@mbw.com
Website: www.mbw.com

MBW (UK) Ltd.
Units 2 & 3 Cochrane Street
Bolton BL3 6BN, England
Phone: 01204 387784
Fax: 01204 387797

MBW FRANCE S.A.R.L.
Phone: +33 (0) 3 44 07 15 96
Fax: +33 (0) 3 44 07 41 28

L18345 / 08.15.M
©MBW, Inc. 2015
Printed in the USA

18421

⚠ DANGER

EXPLOSION HAZARD: Do not spray flammable material. Failure to comply could result in serious bodily injury.

18421

19791

⚠ WARNING

OPERATION OF THIS EQUIPMENT MAY CREATE SPARKS THAT CAN START FIRES AROUND DRY VEGETATION. A SPARK ARRESTER MAY BE REQUIRED. THE OPERATOR SHOULD CONTACT LOCAL FIRE AGENCIES FOR LAWS OR REGULATIONS RELATING TO FIRE PREVENTION

19791

18426

⚠ CAUTION

LIFTING HAZARD: Single person lift could cause injury. Use assistance when lifting or moving. Failure to comply could result in serious bodily injury.

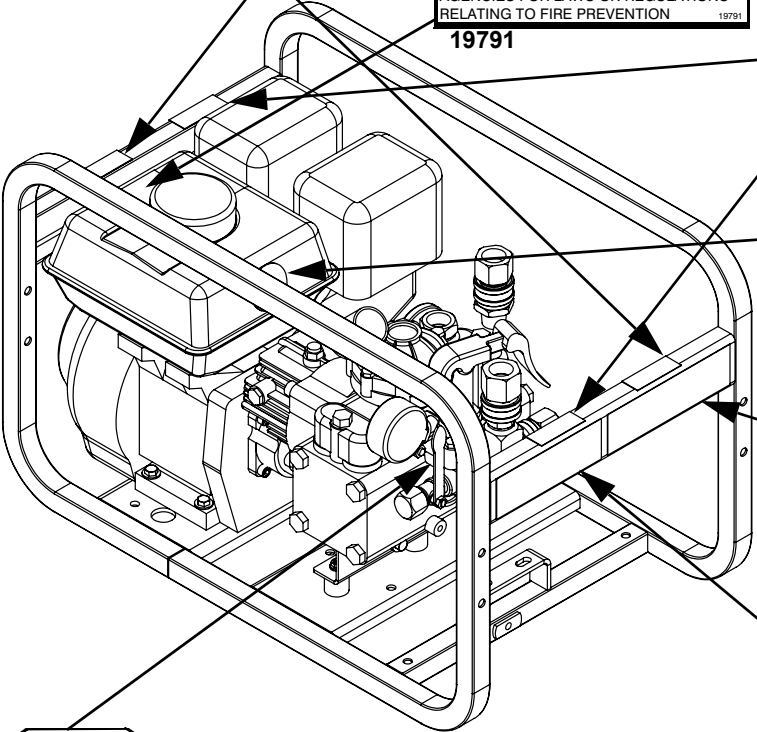
18426



12500



18423 - BMS95
18422 - BMS75
20249 - BMS74



18420

⚠ WARNING

EXPLOSION HAZARD: Use water hose materials **ONLY**. Use of other material may void warranty.
All materials must be thoroughly agitated before spraying.
Hump must be properly cleaned immediately after every use.
Follow chemical suppliers procedures for cleaning and disposal.
Failure to properly clean sprayer voids warranty.

DO NOT REMOVE

18420

19791

⚠ WARNING

OPERATION OF THIS EQUIPMENT MAY CREATE SPARKS THAT CAN START FIRES AROUND DRY VEGETATION. A SPARK ARRESTER MAY BE REQUIRED. THE OPERATOR SHOULD CONTACT LOCAL FIRE AGENCIES FOR LAWS OR REGULATIONS RELATING TO FIRE PREVENTION

19791

15518

⚠ WARNING

ROTATING PARTS
Can crush and cut
Keep hands away!

15518

18418

⚠ WARNING

Read the Operating Instructions before operating this piece of equipment.

DO NOT RUN in an enclosed area. The engine produces carbon monoxide, a **POISONOUS GAS**.

Wear approved hearing protection, foot protection, eye protection and head protection.

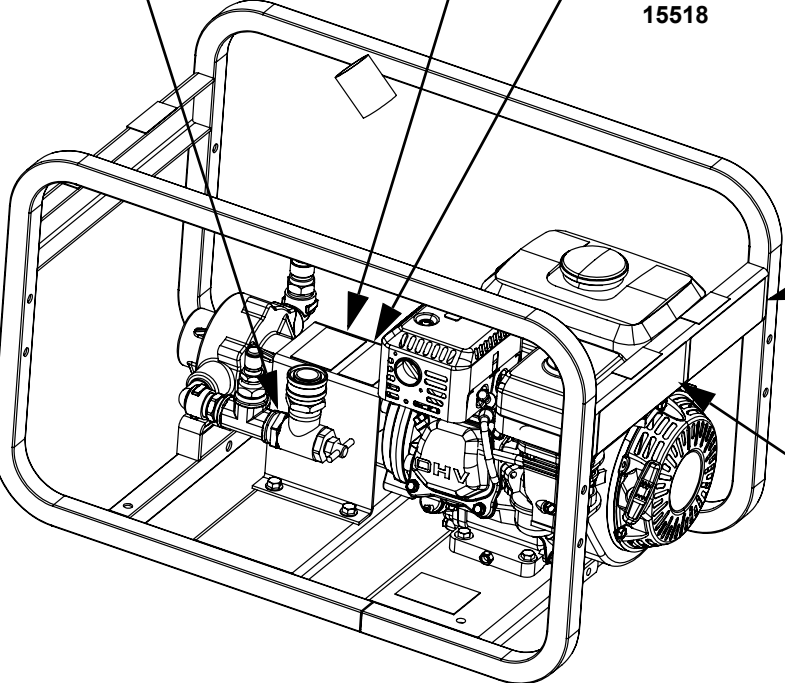
Keep unauthorized and untrained people away from this equipment.

Contents under **HIGH PRESSURE!** Shut off engine and relieve pressure before disconnecting hoses. Always point spray gun in a safe direction.

STOP
SHUT OFF the motor before servicing or cleaning.

Failure to comply could result in serious bodily injury.

18418



18365

OPERATING INSTRUCTIONS

- IMPORTANT: All materials must be thoroughly agitated before spraying.**
- Check fuel level and open fuel valve.
- Set throttle at idle position.
- Choke engine. A warm engine may not need to be choked.
- Pull starter rope.
- After starting, open choke gradually and let engine warm up at idle.
- To start spraying: open throttle fully.
- To increase pressure turn "T" handle, on pressure relief valve, clockwise. To decrease pressure turn "T" counter-clockwise.
- To stop: return throttle to idle and allow engine to run for a few minutes before turning off.
- Turn engine switch to off and close fuel valve.
- Clean sprayer thoroughly after every use**

18365

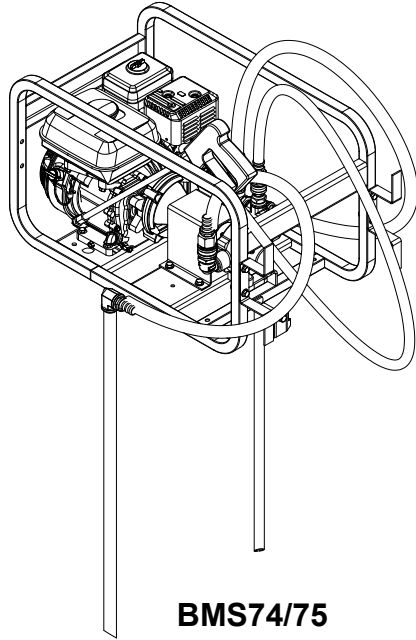
18419 - BMS95
18365 - BMS75



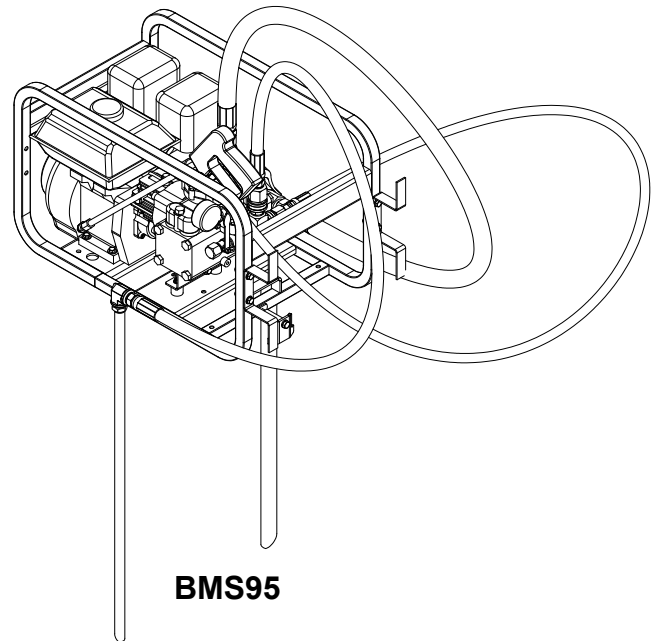
18423 - BMS95
18422 - BMS75
20249 - BMS74

Safety Decals (Decal Set #18344)

SPECIFICATIONS



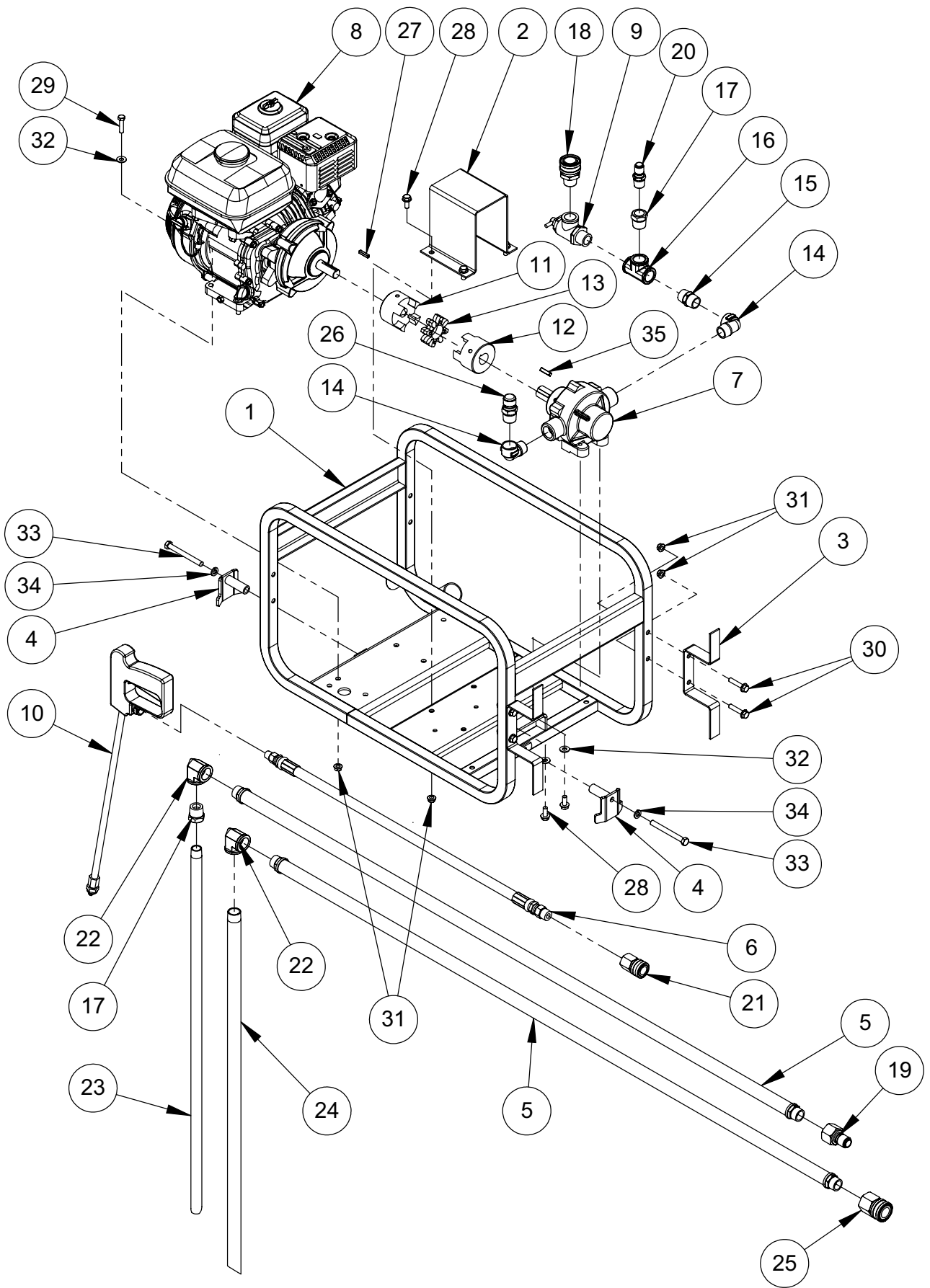
BMS74/75



BMS95

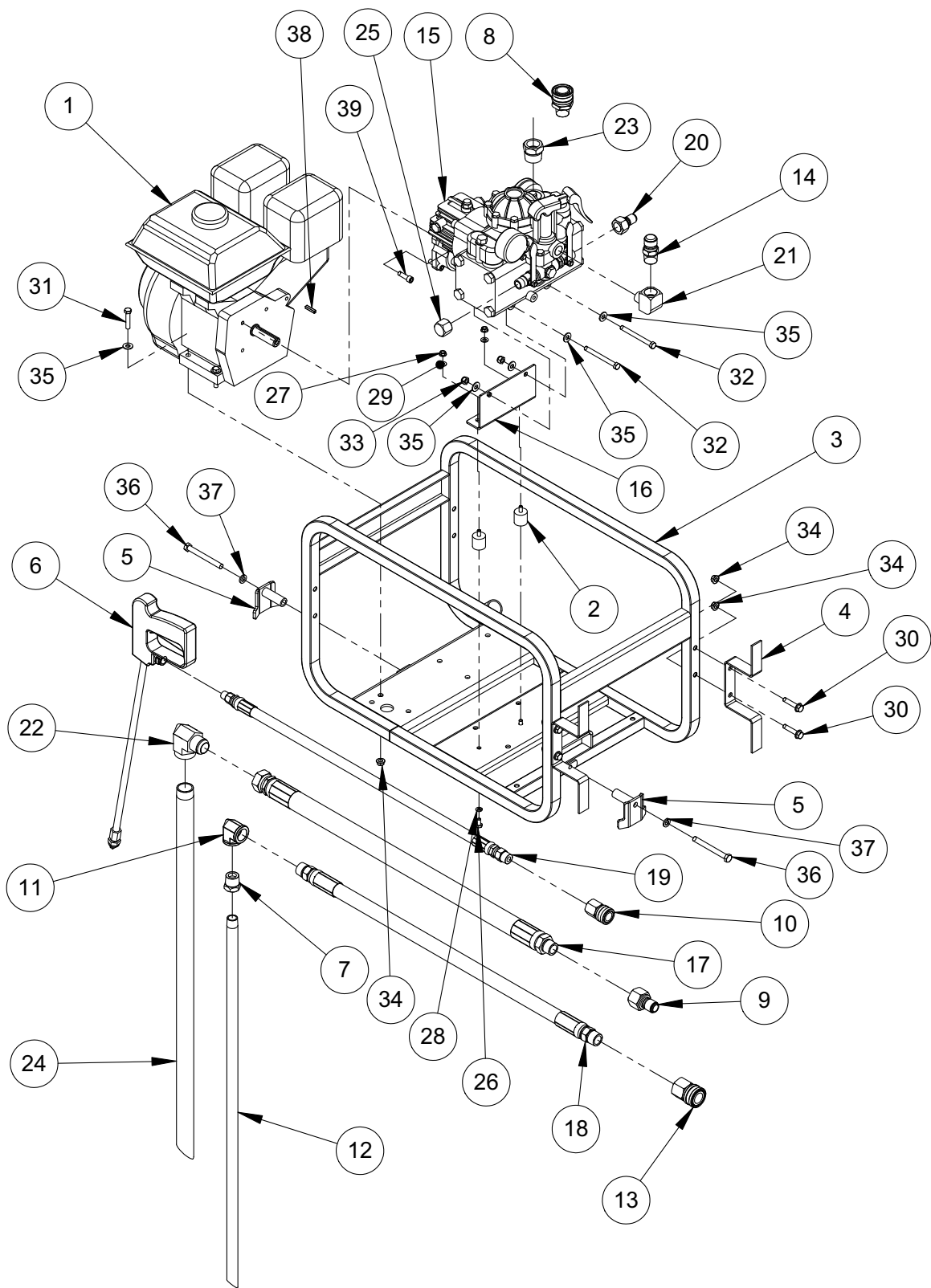
	BMS74 (W/ 25' HOSE & WAND)	BMS75 (W/ 25' HOSE & WAND)	BMS95 (W/ 25' HOSE & WAND)
Pump	Roller 7560C-R	Roller 7560XL-R	Diaphragm
Solids Content (high efficiency / max.rating)	<u>(Water Based Materials Only)</u> 25% / 30%	<u>(Water Based Materials Only)</u> 25% / 30%	<u>(Water Based Materials Only)</u> 35%
Maximum Flow	7.5 gpm (28.3 lpm)	7.5 gpm (28.3 lpm)	9.5 gpm (36 lpm)
Maximum Pressure	300 psi (20.7 bar)	300 psi (20.7 bar)	550 psi (38 bar)
Adjustable Pressure Settings	Yes	Yes	Yes
Standard Operating Pressure	100 psi (6.8 bar)	100 psi (6.8 bar)	100 psi (6.8 bar)
Weight	95 lbs (43 kg)	95 lbs (43 kg)	115 lbs (52 kg)
Dimensions (L x W x H)	27 x 15.5 x 17in. (69 x 39 x 43cm)		
Engine	HONDA GX120 7.2 cu. in. (118 cm ³)	HONDA GX120 7.2 cu. in. (118 cm ³)	HONDA GX160 9.9 cu. in. (163 cm ³)
Max Engine RPM	3600 rpm	3600 rpm	3600rpm
Quick Disconnect Fittings	Yes	Yes	Yes

Specifications subject to change without notice



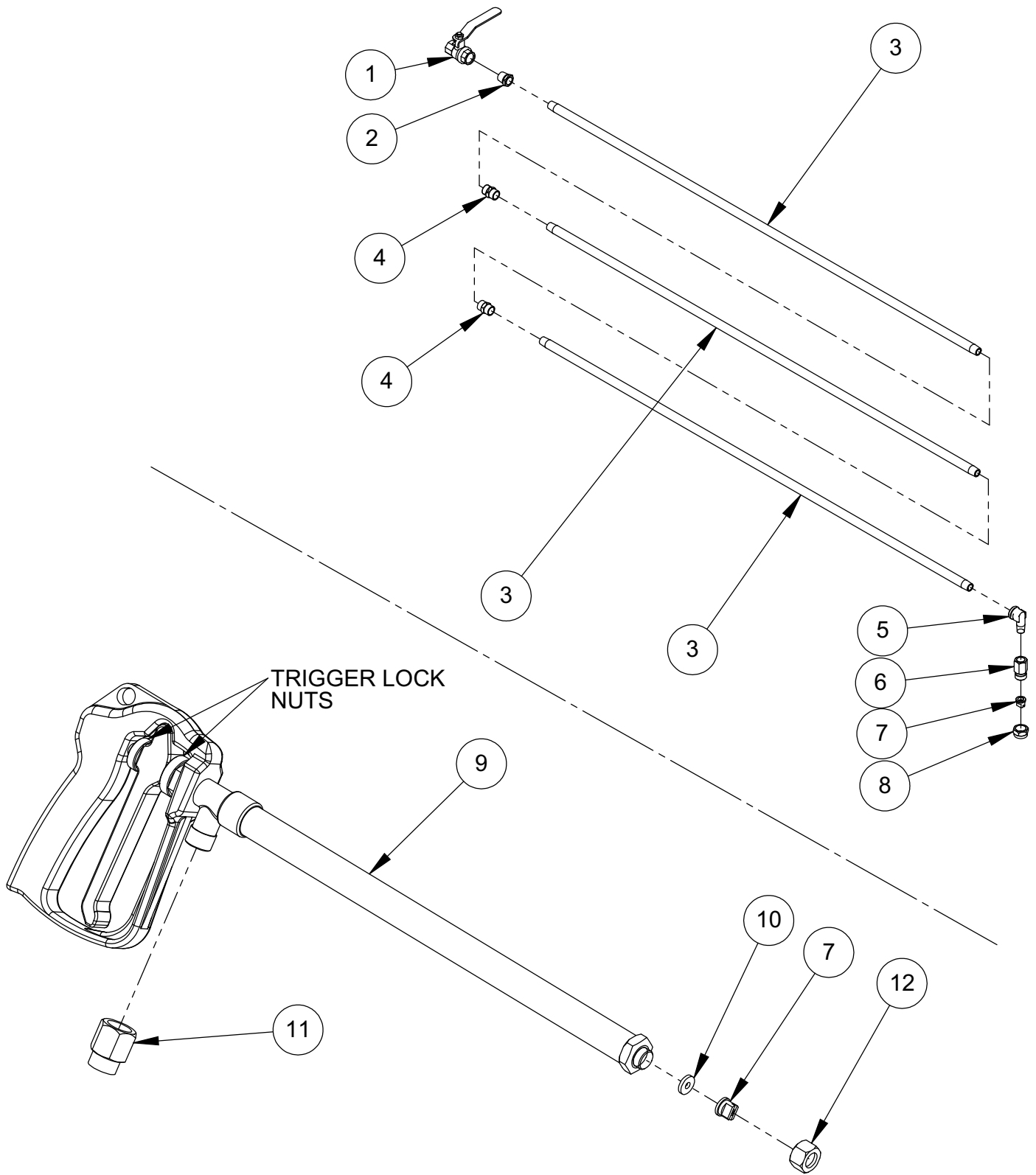
BMS74 & BMS75

ITEM	PART NO.	DESCRIPTION	BMS74	BMS75
1.	18300	FRAME, COATED, SPRAYER	1	1
2.	18309	SHAFT GUARD, COATED, SPRAYER	1	1
3.	18311	HOSE REEL, COATED, SPRAYER	2	2
4.	18313	BARREL MOUNT, COATED, SPRAYER	2	2
5.	18317	HOSE, SUCTION-RETURN, SPRAYER	2	2
6.	18320	25' HOSE, SPRAY GUN, SPRAYER (INCLUDES ITEM #21)	1	1
	19141	50' HOSE, SPRAY GUN, SPRAYER (INCLUDES ITEM #21)	1	1
	18503	100' HOSE, SPRAY GUN, SPRAYER (INCLUDES ITEM #21)	1	1
	18433	KIT, 25' EXTENSION HOSE	1	1
	18435	KIT, 50' EXTENSION HOSE	1	1
	18437	KIT, 100' EXTENSION HOSE	1	1
7.	18324	PUMP, HYPRO #7560XL-R		1
	20246	PUMP, HYPRO #7560C-R	1	
8.	18325	ENGINE, HONDA, GX120K1HX2	1	1
9.	18326	PRESSURE RELIEF VALVE	1	1
10.	18327	SPRAY GUN, HYPRO 3381-0017	1	1
11.	18328	COUPLING, ENGINE HALF, SPRAYER	1	1
12.	18329	COUPLING, PUMP HALF, SPRAYER	1	1
13.	18330	COUPLING, SPIDER, 75 DUROMETER	1	1
14.	18331	FITTING, STREET ELBOW, 3/4 NPT	2	2
15.	18332	FITTING, HEX PIPE NIPPLE	1	1
16.	18333	FITTING, FEMALE PIPE TEE	1	1
17.	18334	FITTING, THREAD REDUCER	2	2
18.	18335	QUICK COUPLING, FEMALE, BST-6M	1	1
19.	18336	QUICK COUPLING, MALE, BST-N6	1	1
20.	18337	QUICK COUPLING, MALE, BST-N4M	1	1
21.	18338	QUICK COUPLING, FEMALE, BST-4 (Included with item #6)	1	1
22.	18339	FITTING, FEMALE ELBOW	2	2
23.	18340	RETURN DROPE TUBE, SPRAYER	1	1
24.	18342	SUCTION DROP TUBE, SPRAYER	1	1
25.	18361	QUICK COUPLING, FEMALE, BST-6	1	1
26.	18362	QUICK COUPLING, MALE, BST-N6M	1	1
27.	00032	KEY STOCK 3/16 SQ. X 1-5/8 LG.	1	1
28.	F051806FWS	FWLS, 5/16-18 X 3/4 ZP	6	6
29.	F051810HCS	HHCS, 5/16-19 X 1-1/4 GR5 ZP	4	4
30.	F051812FWS	FWLS, 5/16-18 X 1-1/2 ZP	4	4
31.	F0518FN	NUT, FLANGE WHIZ-LOCK 5/16-18 ZP	12	12
32.	F05SW	WASHER, 5/16 X 3/4 X 15GA ZP	6	6
33.	F061628HCS	HHCS, 3/8-16 X 3-1/2 GR5 ZP	2	2
34.	F06LW	LOCKWASHER, 3/8 ZP	2	2
35.	01161	KEY STOCK, 1/4 SQ. X 1.5 LG.	1	1
		<u>SERVICE PARTS</u>		
	18452	ROLLER KIT, REBUILD	1	1
	18453	BEARING, ROLLER PUMP (2 REQUIRED)	2	2
	18914	ROTOR & SHAFT ASSEMBLY BMS75 ONLY		1
	20248	ROTOR & SHAFT ASSEMBLY BMS74 ONLY	1	



BMS 95

ITEM	PART NO.	DESCRIPTION	QTY
1.	01444	ENGINE, HONDA GX160KQX	1
2.	17643	SHOCKMOUNT, 1" OD X 1" LONG	2
3.	18300	FRAME, COATED, SPRAYER	1
4.	18311	HOSE REEL, COATED, SPRAYER	2
5.	18313	BARREL MOUNT, COATED, SPRAYER	2
6.	18327	SPRAY GUN, HYPRO 3381-0017	1
7.	18334	FITTING, THREAD REDUCER	1
8.	18335	QUICK COUPLING, FEMALE, BST-6M	1
9.	18336	QUICK COUPLING, MALE, BST-N6	1
10.	18338	QUICK COUPLING, FEMALE, BST-4 (Included with item #19)	1
11.	18339	FITTING, FEMALE ELBOW	1
12.	18340	RETURN DROP TUBE, SPRAYER	1
13.	18361	QUICK COUPLING, FEMALE, BST-6	1
14.	18362	QUICK COUPLING, MALE, BST-N6M	1
15.	18366	PUMP, HYPRO. 9910-D30DGRGI	1
16.	18367	PUMP MOUNT BRACKET, COATED	1
17.	18369	HOSE, HYDRAULIC SUCTION SPRAYER	1
18.	18370	HOSE, HYDRAULIC RETURN SPRAYER	1
19.	18320	25' HOSE, HYDRAULIC, SPRAY GUN (Includes item #10)	1
	19141	50' HOSE, HYDRAULIC, SPRAY GUN (includes item #10)	1
	18503	100' HOSE, HYDRAULIC, SPRAY GUN (Includes item #10)	1
	18433	KIT, 25' EXTENSION HOSE	1
	18435	KIT, 50' EXTENSION HOSE	1
	18437	KIT, 100' EXTENSION HOSE	1
20.	18372	QUICK COUPLING, MALE, BST-N4	1
21.	18373	FITTING, STR. ELBOW, 3/4 X 1/2 NPTG-F	1
22.	18374	FITTING, ELBOW, #16 DTX-G-F	1
23.	18375	FITTING, THRD REDUCER, 1 X 3/4 NPT	1
24.	18376	SUCTION DROP TUBE, SPRAYER	1
25.	18378	FITTING, HEX PIPE CAP, 1/2 NPT	1
26.	F042004HCS	HHCS, 1/4-20 X 1/2 GR5 ZP	2
27.	F0420FN	FLANGE WHIZ-LOCK NUT, 1/4-20	2
28.	F04LW	LOCKWASHER, 1/4 ZP	2
29.	F04SW	WASHER, TYPE A 1/4 X 9/16 x.054	2
30.	F051812FWS	FWLS, 5/16-18 X 1-1/2 ZP	4
31.	F051812HCS	HHCS, 5/16-18 X 1-1/2 GR5 ZP	4
32.	F051826HCS	HHSC, 5/16-18 X 3-1/4 GR5 ZP	2
33.	F0518ELN	LOCKNUT, 5/16-18 NYLOC ZP	2
34.	F0518FN	NUT, FLANGE WHIZ-LOCK 1/16-18 ZP	8
35.	F05SW	WASHER, 5/16 X 3/4 X 15 ga ZP	8
36.	F061628HCS	HHCS, 3/8-16 X 3-1/2 GR5 ZP	2
37.	F06LW	LOCKWASHER, 3/8 ZP	2
38.	00032	ENGINE KEY 3/16 SQ. X 1-5/8 LG.	1
39.	F052408SCS	SCS, 5/16-24 X 1"	4
		SERVICE PARTS	
	18454	KIT, DIAPHRAGM REPLACEMENT, SET OF (3)	1
	18455	KIT, VALVE, SET OF (4), WITH O-RINGS	1
	18456	KIT, O-RING SET	1
	18457	DAMPNER DIAPHRAGM ONLY	1
	18458	PUMP OIL, HYPRO, QUART	1
	18463	SHAFT SEAL, GEAR REDUCER	1
	18755	PRESSURE RELIEF VALVE SEAT (VITON)	1
	18756	PRESSURE RELIEF VALVE SEAT (URETHANE))	1
	20978	ACCUMULATOR MANIFOLD	1
	20979	D30 AND D50 CONTROL ARM	1



Optional Spray Equipment:
- 9' Spray Wand

