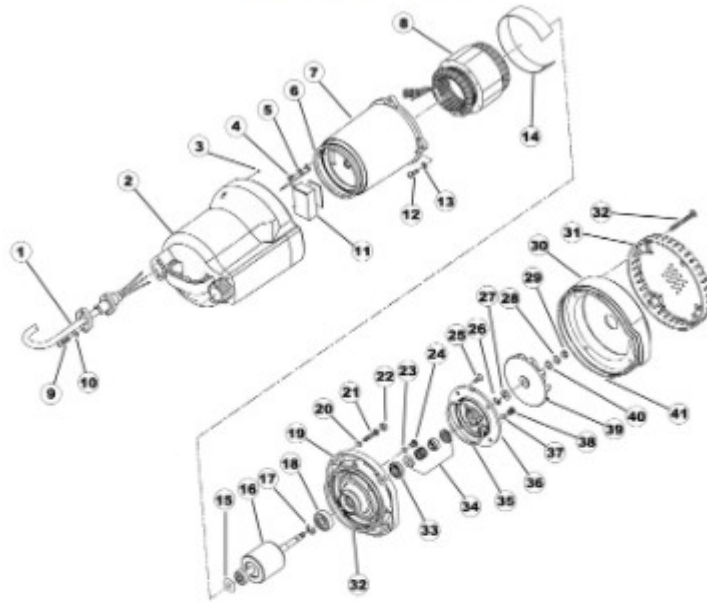


### NSM-62511 Parts List



REF. NO.	PART NO.	DESCRIPTION	QTY	REF. NO.	PART NO.	DESCRIPTION	QTY
01	0850001	POWER CORD	1	22	0850040	GASKET, BOLT	4
02	0850002	PUMP HOUSING	1	23	0850003	O-RING, M5	2
03	0850003	1/8" BALL BEARING	1	24	0850005	BOLT, PH2 M5x8	2
04	0850004	BOLT, PH2 M4x8	2	25	0850006	BOLT, PH2 M5x15	4
05	0850005	SPRING WASHER, M4	1	26	0850009	E-CLIP, M5	1
06	0850006	GASKET, MOTOR COVER	1	27	0850004	WASHER, M5x2	1
07	0850007	MOTOR COVER	1	28	0850006	SPRING WASHER, M5 1pc	1
08	0850008	STATOR MOTOR	1	29	0850007	NUT, M4	1
09	0850009	BOLT, PH2 M5x20	2	30	0850010	VOLUTE CASING	1
10	0850010	WASHER, M5	2	31	0850011	STRAINER	1
11	0850011	CAPACITOR	1	32	0850012	GASKET, MOTOR BRACKET	1
12	0850012	BOLT, PH2 M5x15	4	33	0850017	OIL SEAL	1
13	0850013	SPRING WASHER, M5	8	34	0850018	MECHANICAL SEAL	1
14	0850014	MOTOR SUPPORT	1	35	0850019	GASKET, FRONT BRACKET	1
15	0850015	WAVE WASHER	1	36	0850008	FRONT BRACKET	1
16	0850016	ROTOR MOTOR	1	37	0850009	IMPELLER	1
17	0850017	E-CLIP, M5	1	40	0850038	WASHER, M5	1
18	0850018	BEARING, MOTOR BRACKET	1	41	0850000	O-RING, PUMP HOUSING	1
19	0850019	MOTOR BRACKET	1				
20	0850014	BEARING, MOTOR COVER	1				
21	0850014	BOLT, PH2 M5x15	4				