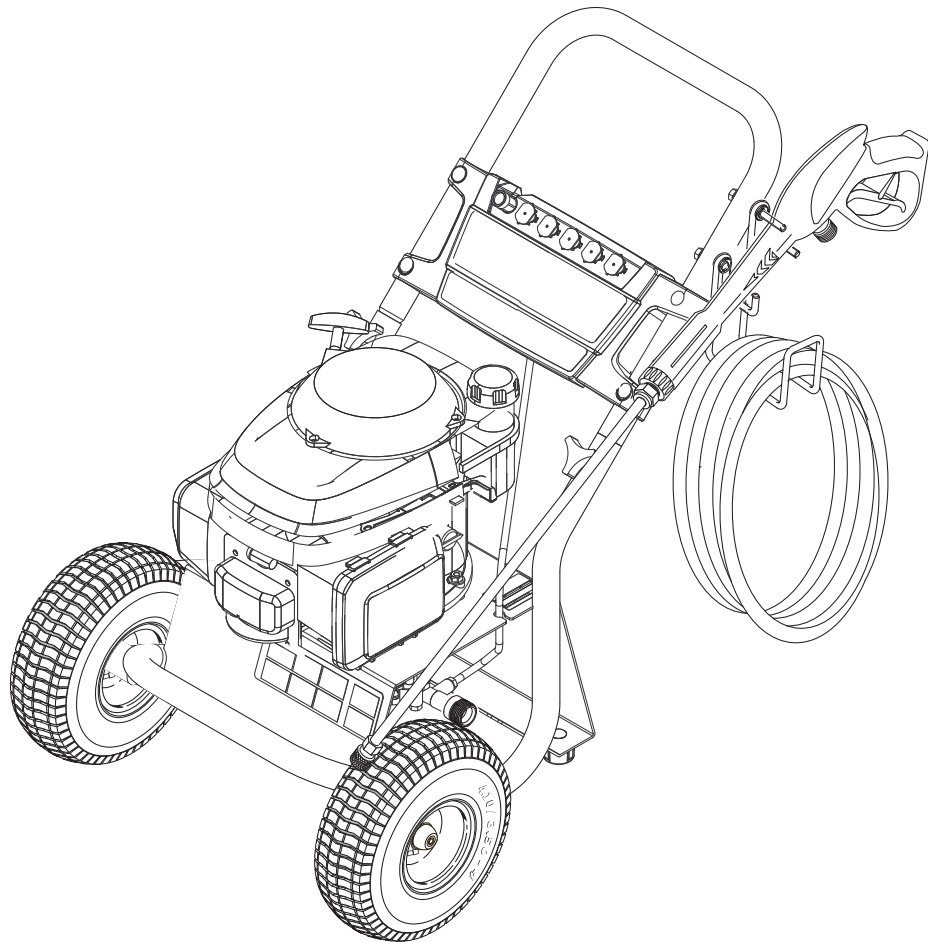


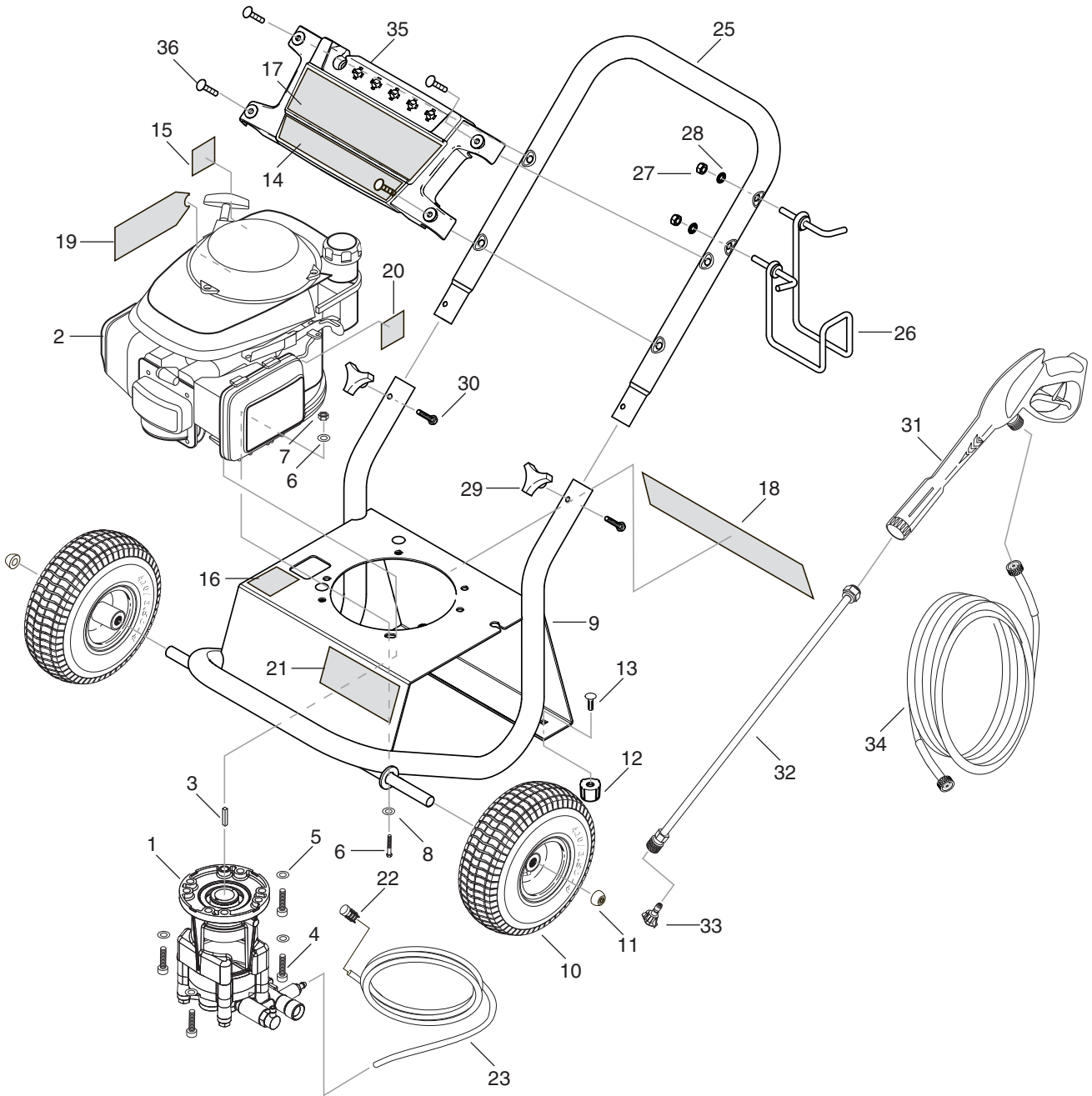
SERVICE MANUAL



MODEL #
RG-232637

ORDER #
1.107-235.0

EXPLODED VIEW



EXPLODED VIEW PARTS LIST

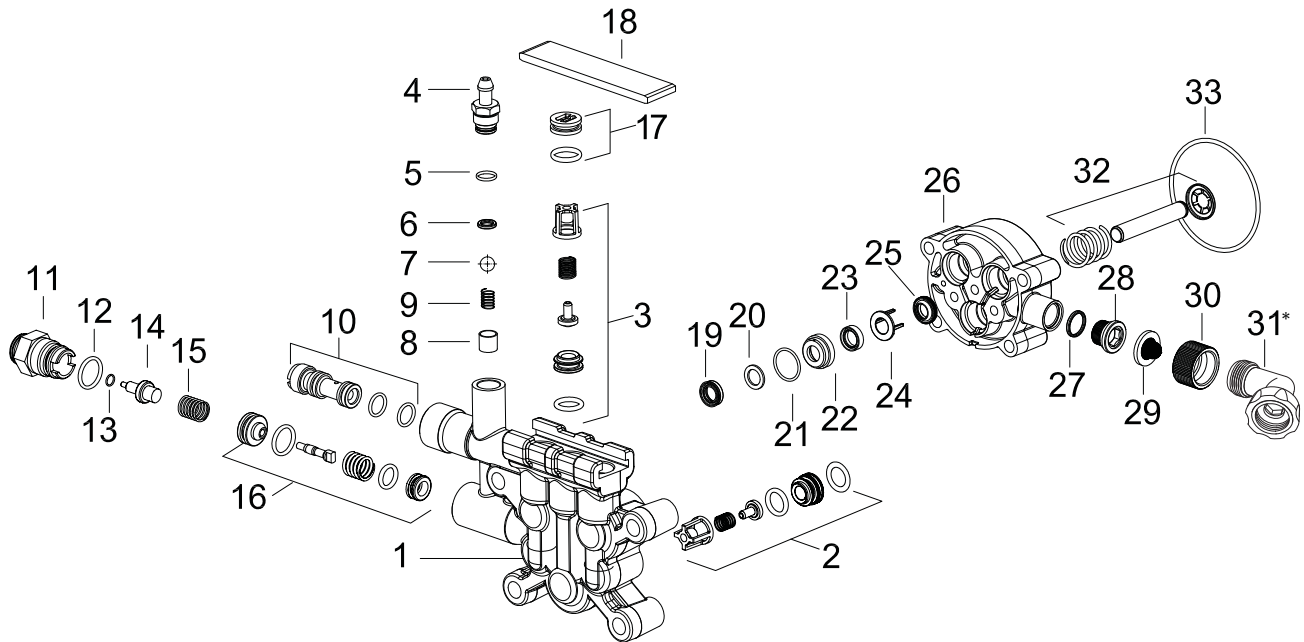
ITEM	PART NO.	DESCRIPTION	QTY
1	8.920-004.0	Pump, Legacy Axial 2.6 GPM 3000PSI	1
2	9.194-077.0	Engine Honda GC160	1
3	9.194-881.0	Key SQR 3/16" x 1 47/64"	1
4	9.196-033.0	5/16-24 UNF X 1.75 Socket Head Cap Screw	4
5	9.802-813.0	Washer, 5/16" Split Ring Lock, Zinc	4
6	9.186-010.0	5/16-18 X 1-1/2 GR 5 HHCS Zinc	4
7	9.802-776.0	Nut, 5/16-18, ESNA	4
8	8.718-980.0	Washer, 5/16" Flat, SAE (780452)	8
9	9.115-099.0	Powder Coated-P1 Frame Black Wrinkle	1
10	9.802-270.0	Wheel & Tire Assy, 10" Steel Rim W/Tube	2
11	9.182-506.0	Cap Black Plastic, 5/8"	2
12	9.183-405.0	Rubber Dampener 5/16"-18	2
13	9.196-308.0	5/16-18 X 1/2 Carriage Bolt	2
14	8.753-553.0	Label, Rate Specs, Low	1
15	8.751-096.0	Label, Regulation 4442.6	1
16	9.801-587.0	Rating Plate, RG-232637	1
17	8.750-881.0	Shark, Label Name Plate	1

ITEM	PART NO.	DESCRIPTION	QTY
18	8.783-035.0	Label, Operation Warnings Trilingual	1
19	9.138-313.0	Caution Engine Oil Tag	1
20	9.138-373.0	Open/Closed Sticker-(GCV 160)	1
21	9.138-377.0	Quick Start Instruction Guide Sticker	1
22	5.731-652.0	Filter with weight	1
23	6.388-216.0	Hose DN 5	1
24	9.180-004.0	▲ Motor Oil, SAE-10W 30, 20 oz.	
25	9.140-153.0	Powder Coated Handle	1
26	9.142-015.0	Hanger LT Side	1
27	9.802-786.0	Nut, 5/16, Hex, NC	2
28	9.198-003.0	5/16 Internal L/W .332 ID X .620	2
29	8.767-003.0	1/4-20 Star Knob	2
30	9.196-307.0	1/4-20 x 1-1/2 GR 2 Hex Bolt	2
31	9.112-012.0	AI Bit 101 Trigger Gun	1
32	9.112-533.0	Lance-AL Quick Connect-Male 3000 psi	1
33	8.751-356.0	Kit, Nozzle (035)	1
	8.712-337.0	▲Nozzle, 0003, Red	1
	8.712-338.0	▲Nozzle, 0015, Yellow	1
	8.712-339.0	▲Nozzle, 0025, Green	1
	8.712-340.0	▲Nozzle, 0040, White	1
	8.712-398.0	▲Nozzle, Black, Soaper	1
34	8.753-423.0	Hose, HP 5ft, 3600PSI M22	1
35	9.134-022.0	Name plate	1
36	9.196-049.0	Nylon Rivet	1

▲ Not Shown

PUMP EXPLODED VIEW AND PARTS LIST

8.920-004.0



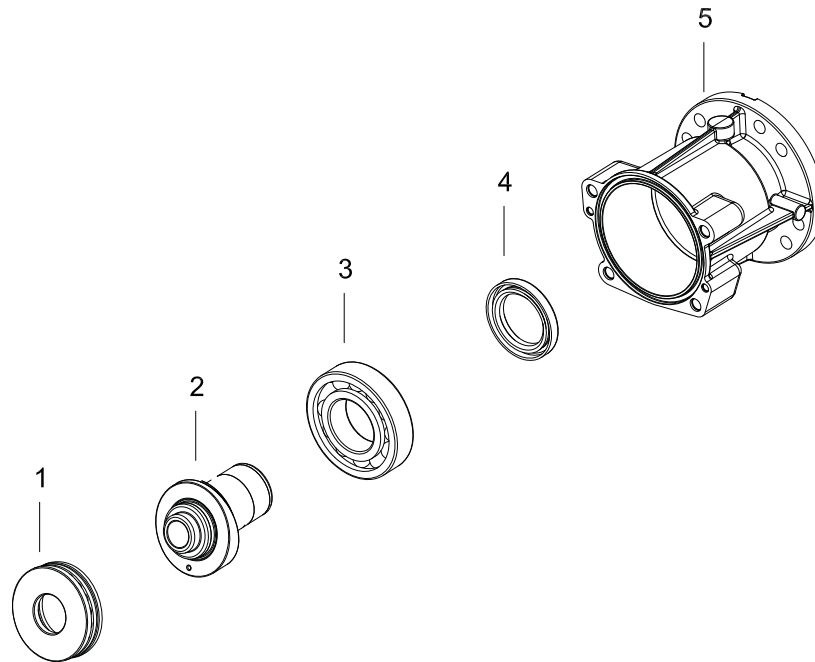
ITEM	PART #	DESCRIPTION	QTY
1	8.762-010.0	Cylinder Head	1
2	9.175-004.0	Valve Assy Horizontal	3
3	2.884-916.0	Valve Complete (Kit 3)	1
4	5.443-448.0	Nipple Chemistry	1
5	6.362-451.0	O-Ring Seal 8.0 x 1.0	1
6	6.362-175.0	O-Ring Seal, 5.28 x 1.78	1
7	7.401-909.0	Sphere 7 G40 - 1.4401	1
8	5.110-714.0	Sleeve	1
9	5.332-258.0	Helical Spring	1
10	9.139-372.0	Nozzle, INS 020/021 Pump	1
11	9.184-018.0	Outlet-Thermal Valve	1
12	6.362-480.0	O-Ring Seal, 12.42 x 1.78	1
13	7.362-507.0	O-Ring Seal 8 x 2 NBR 90	1
14	6.413-403.0	Thermo Valve Tin Coated	1

ITEM	PART #	DESCRIPTION	QTY
15	5.332-290.0	Helical Spring	1
16	9.175-005.0	Unloader Assembly	1
17	4.132-007.0	Drain Plug Replacement	1
18	5.003-062.0	Plate	1
19	9.177-301.0	Hich Pressure Seal	3
20	9.177-310.0	Back Ring	3
21	6.362-833.0	O-Ring Seal 12.5 x 1.73	3
22	9.155-011.0	Housing Low Pressure Seal	3
23	6.363-058.0	Grooved Ring	3
24	9.134-016.0	Spacer	3
25	6.365-393.0	Oil Sealing 12.20x4/6	3
26	9.133-007.0	Piston Guide	1
27	6.362-390.0	O-Ring Seal 15.6 x 1.8	1
28	9.134-019.0	Male Adapter	1
29	9.181-005.0	Filter Seal	1
30	9.155-013.0	Female House Conn	1
31	8.751-121.0	◆Gooseneck, Hose Adapter (For pump guard or Filters)	1
32	9.139-370.0	Spare Part List, Piston	1
33	6.362-471.0	O-Ring Seal 80.0x3.0 NBR70	1

◆Not Included

PUMP EXPLODED VIEW PARTS LIST (CONT)

8.920-004.0 Housing View



ITEM	PART #	DESCRIPTION	QTY
1	9.166-016.0	Grooved Ball Bearing	1
2	9.135-018.0	Swash Plate Hor.	1
3	9.165-356.0	Ball Bearing No 6207	1
4	9.177-314.0	Radial Seal 35 x 52 x 7	1
5	9.135-016.0	Oil Housing	1