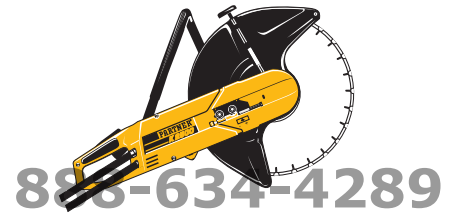


PARTNER

ConstructionParts.com



IPL, K 2500, 2000-09, 106 26 30-61

ConstructionParts.com

K 2500

Reservdelar

Spare parts

Ersatzteile

Pieces de rechange

Piezas de repuesto

Ricambi

***Peças
sobresselente***

ConstructionParts.com

888-634-4289

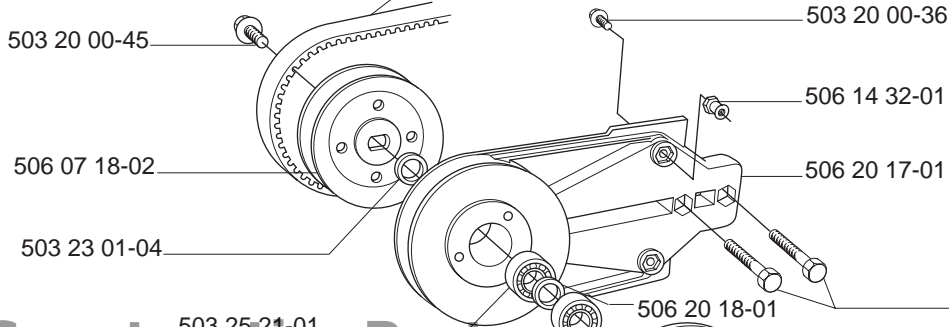
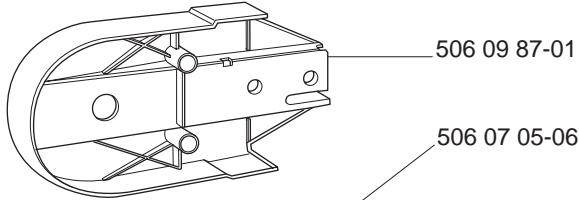
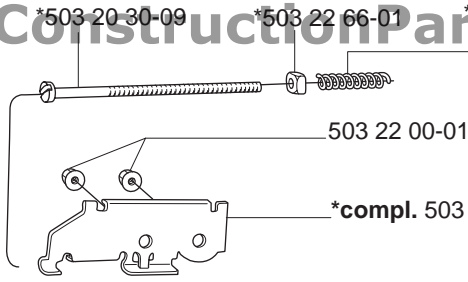
106 26 30-61

PARTNER[®]

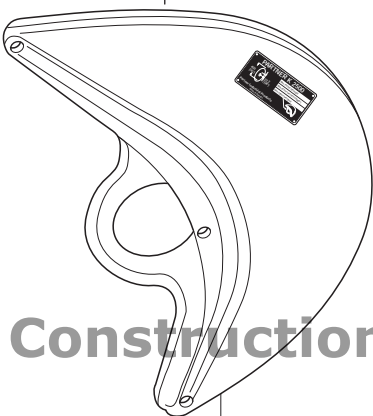
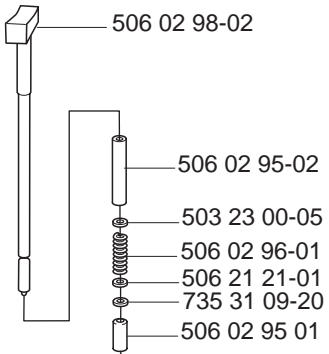
A

ConstructionParts.com

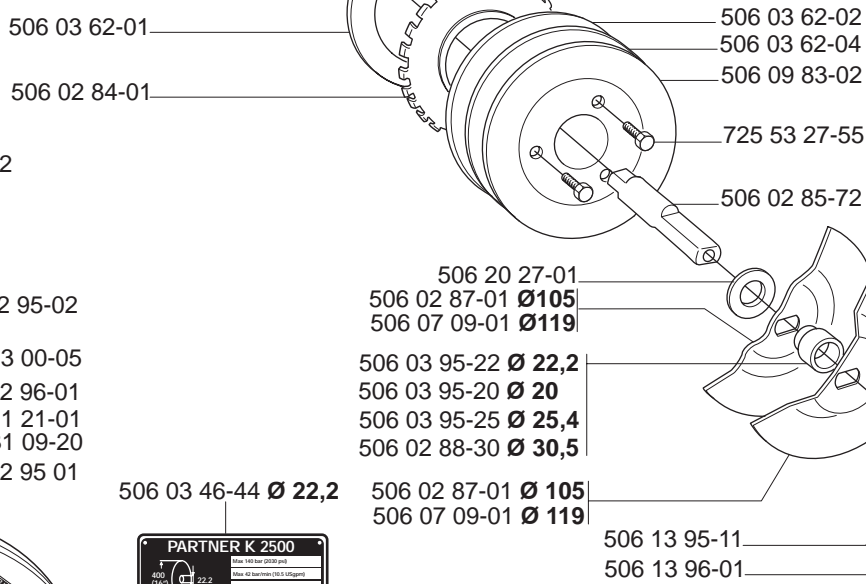
888-634-4289



ConstructionParts.com



compl. 16" 506 13 83-01



506 03 46-44 Ø 22,2



506 03 46-45 Ø 20

506 03 46-46 Ø 1"

506 03 46-47 Ø 30,5

ConstructionParts.com

888-634-4289



B

506 13 79-01

ConstructionParts.com

888-634-4289



725 53 41-55

725 53 27-55

506 20 16-01

503 21 28-10

506 20 34-01

720 13 10-00

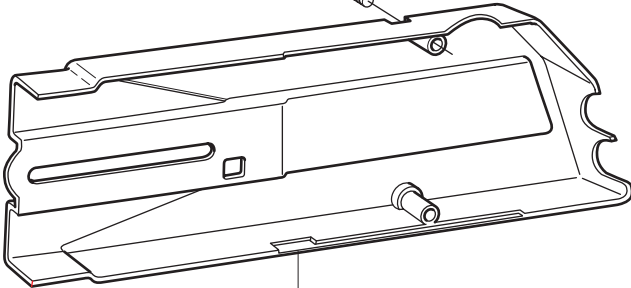
506 01 45-05

506 21 63-01



503 20 02-40

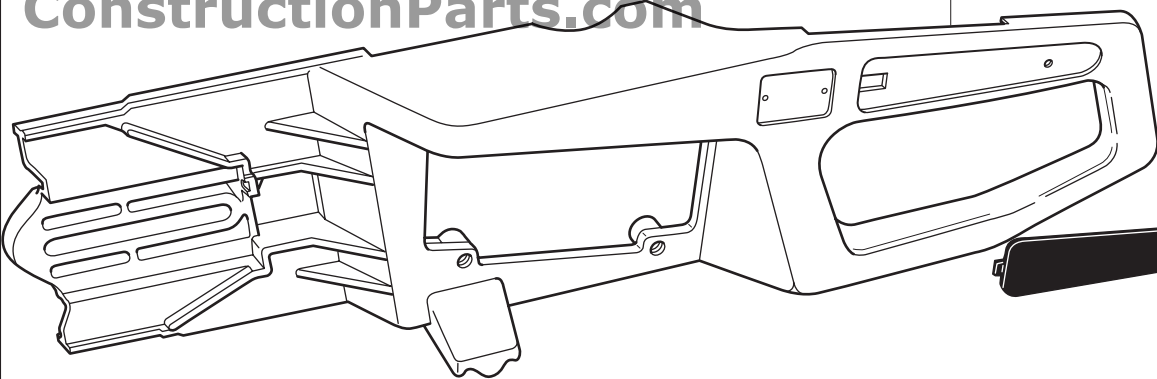
506 20 33-01



506 20 28-01

506 20 36-01

ConstructionParts.com



501 62 89-03

724 32 19-05

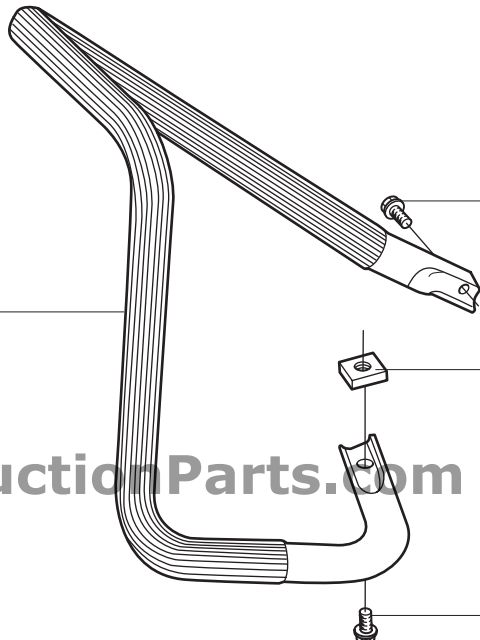
506 20 29-01

503 20 02-16

503 22 65-04

ConstructionParts.com

888-634-4289



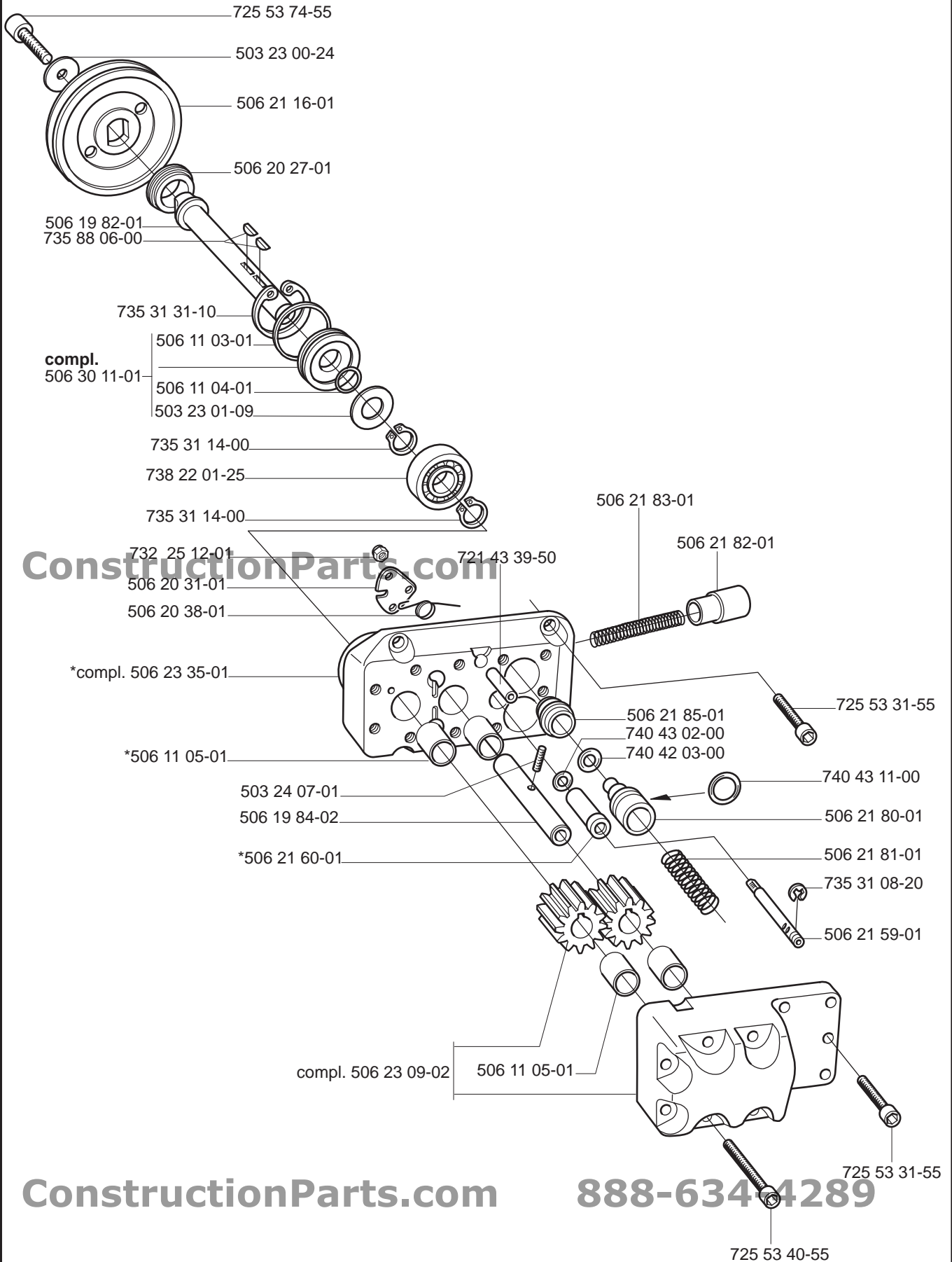
503 20 02-16

C

Hydraulic motor compl. 506 19 87-02

ConstructionParts.com

888-634-4289



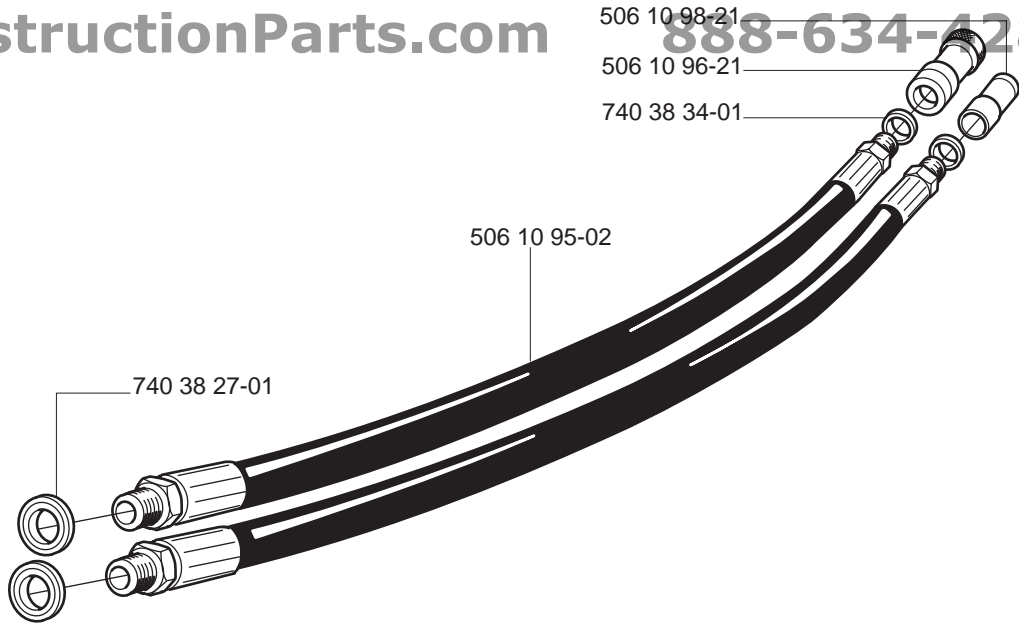
ConstructionParts.com

888-634-4289

D

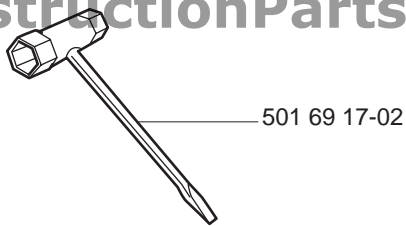
ConstructionParts.com

888-634-4289



E

ConstructionParts.com



ConstructionParts.com

888-634-4289

No.	Pos.	Description	No.	Pos.	Description
501 62 89-03	B	Handle cover	506 20 18-01	A	Spacer
501 69 17-02	D	Wrench 13/19	506 20 27-01	A, C	Flange washer
503 20 00-36	A	Screw M5x14	506 20 28-01	B	Belt cover, rear
503 20 00-45	A	Screw M8x16	506 20 29-01	B	Front handle
503 20 02-16	B	Screw M5x16	506 20 31-01	C	Lever
503 20 02-40	B	Screw M5x40	506 20 33-01	B	Push rod
503 20 30-09	A	Screw M6x120	506 20 34-01	B	Trigger
503 21 28-10	B	Screw B6x9,5	506 20 36-01	B	Chassis
503 22 00-01	A	Flangenut M8	506 20 38-01	C	Spring
503 22 65-04	B	Nut, square M5	506 20 42-02	A	Label DSA
503 22 66-01	A	Nut, square M6	506 21 16-01	C	Belt pulley Ø 73,5
503 23 00-05	A	Washer	506 21 21-01	A	Washer
503 23 00-24	C	Washer 6,4x18	506 21 59-01	C	Valve spindle
503 23 01-04	A	Washer 15x21	506 21 60-01	C	Valve sleeve
503 24 07-01	C	Pin	506 21 63-01	B	Label K2500
506 01 45-05	B	Trigger catch	506 21 80-01	C	Valve
506 02 84-01	A	Tooth washer	506 21 81-01	C	Spring, valve
506 02 85-72	A	Shaft L = 72	506 21 82-01	C	Plunge
506 02 87-01	A	Flange washer Ø 105	506 21 83-01	C	Spring, plunge
506 02 88-30	A	Bushing Ø 30	506 21 85-01	C	Valve seat
506 02 95-01	A	Hose	506 21 95-01	A	Spring, belt
506 02 95-02	A	Hose	506 23 09-02	C	Cover, motor cpl
506 02 96-01	A	Spring	506 23 35-01	C	Housing
506 02 98-02	A	Control knob	506 30 11-01	C	Seal cpl
506 03 06-02	A	Belt adjuster	720 13 10-00	B	Pin 5x20
506 03 32-02	A	Screw M8x37	721 43 39-50	C	Pin 6x20
506 03 46-44	A	Plate Ø 22,2	724 32 19-05	B	Screw MFX 3x5
506 03 46-45	A	Plate Ø 20	725 53 27-55	A, B	Screw M5x12
506 03 46-46	A	Plate Ø 1"	725 53 31-55	C	Screw M5x20
506 03 46-47	A	Plate 30,5	725 53 40-55	C	Scxrew M5x45
506 03 62-01	A	Spacer 68/106-2	725 53 41-55	B	Screw M5x50
506 03 62-02	A	Spacer 74/99,5-1,5	725 53 74-55	C	Screw M6x30
506 03 62-04	A	Spacer 74/99,5-0,5	732 25 12-01	C	Nut M4 Nyloc
506 03 88-01	A	Label SMI	735 31 08-20	C	E-ring 4
506 03 95-20	A	Bushing Ø 20	735 31 09-20	A	E-ring 5
506 03 95-22	A	Bushing Ø 22,2	735 31 14-00	C	Snap ring SGA 12
506 03 95-25	A	Bushing Ø 1"	735 31 31-10	C	Retaining ring
506 07 05-06	A	V-belt SPZ 787	735 88 06-00	C	Woodruff key
506 07 09-01	A	Flange washer Ø 119	738 22 01-25	C	Ball bearing 12/32x10
506 07 18-02	A	Belt pulley Ø 98	738 22 02-29	A	Ball bearing 6202 2 RS1/C3
506 09 83-02	A	Washer	740 38 27-01	C	Sealing washer 1/4"
506 09 87-01	A	Belt cover	740 38 34-01	C	Sealing washer 3/8"
506 10 95-02	C	Hydraulic hose	740 42 03-00	C	O-ring 5,1x1,6
506 10 96-21	C	Coupler FF, female	740 43 02-00	C	O-ring 4,3x2,4
506 10 98-21	C	Coupler FF, male	740 43 11-00	C	O-ring 13,3x2,4
506 11 03-01	C	O-ring			
506 11 04-01	C	O-ring			
506 11 05-01	C	Bearing			
506 13 79-01	B	Label			
506 13 83-01	A	Guard 16"			
506 13 95-11	A	Washer			
506 13 96-01	A	Flange screw M8x37			
506 14 32-01	A	Catch			
506 19 82-01	C	Drive shaft			
506 19 84-02	C	Shaft L = 56			
506 19 87-02	C	Hydraulic motor			
506 20 16-01	B	Handle half			
506 20 17-01	A	Bearing housing			