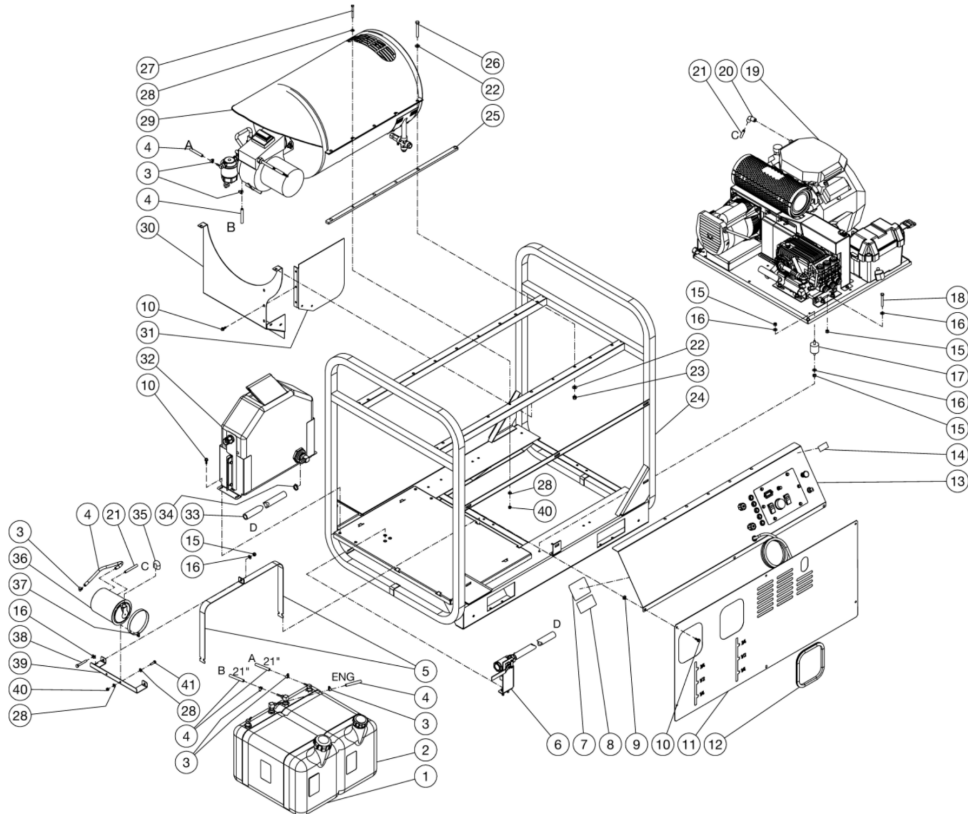




HDS-3506-0H6A / HDS-3506-0H6A (sn:0-99999999)

UNIT ASSY



| Id | Item # | Description | Quantity |
|----|------------|-----------------------------------|----------|
| 1 | N/A | GAS TANK ASSEMBLY | 1 |
| 1 | N/A | DIESEL FUEL TANK ASSY | 1 |
| 2 | N/A | BURNER FUEL TANK ASSEMBLY | 1 |
| 3 | 42-0004 | CLAMP WORM (GASOLINE MODELS) | 7 |
| 3 | 42-0004 | CLAMP WORM (DIESEL MODELS) | 8 |
| 4 | 15-0008 | FUEL HOSE *(ELEVEN FEET REQUIRED) | 1 |
| 5 | 20-0585A18 | TANK STRAP | 4 |
| 6 | N/A | BALL VALVE ASSEMBLY | 1 |
| 7 | N/A | DECAL - DATA PLATE | 1 |
| 8 | N/A | DECAL- SILVER STICKER | 1 |
| 9 | 30-6027 | CLIP NUT | 6 |
| 10 | 27-1200 | BOLT (3008 GASOLINE MODELS) | 15 |

| Id | Item # | Description | Quantity |
|-----------|---------------|--|-----------------|
| 10 | 27-1200 | BOLT | 10 |
| 11 | 21-0146 | FRONT COVER PANEL | 1 |
| 12 | 33-0020 | EDGING *(FIVE FEET REQUIRED) | 1 |
| 13 | N/A | CONTROL PANEL ASSEMBLY (GASOLINE MODELS) | 1 |
| 13 | N/A | KUBOTA CONTROL PANEL ASSY (DIESEL MODELS) | 1 |
| 14 | 34-3553 | DECAL - MADE IN USA | 1 |
| 15 | 30-0157 | LOCKNUT | 20 |
| 16 | 28-0003 | WASHER | 22 |
| 17 | 14-0110 | ISOLATOR | 8 |
| 18 | 27-0073 | BOLT | 2 |
| 19 | N/A | ISOLATION PLATE ASSEMBLY (GASOLINE MODELS) | 1 |
| 19 | N/A | KUBOTA ISO PLATE (DIESEL MODELS) | 1 |
| 20 | 62-0229 | AIR CLEANER ADAPTER (HONDA MODELS) | 1 |
| 21 | 15-0261 | FUEL HOSE *(SEVEN FEET REQUIRED) (GASOLINE MODELS) | 1 |
| 22 | 28-0004 | WASHER | 12 |
| 23 | 30-0159 | LOCKNUT | 6 |
| 24 | 5-0275A18 | FRAME (GASOLINE MIDELS) | 1 |
| 24 | N/A | KUBOTA SKID FRAME ASSY (DIESEL MODELS) | 1 |
| 25 | 20-0939A18 | SHIM (3008 DIESEL MODELS) | 2 |
| 26 | 27-0576 | BOLT | 6 |
| 27 | 27-0022 | BOLT | 4 |
| 28 | 28-0002 | WASHER (GASOLINE MODELS) | 12 |
| 28 | 28-0002 | WASHER (DIESEL MODELS) | 8 |
| 29 | N/A | HEAT EXCHANGER ASSEMBLY (3005, 3006, 3505, 3506) | 1 |
| 29 | N/A | HDS 4005 HEAT EXCHANGER ASSY (4005) | 1 |
| 29 | N/A | HDS 3008 HEAT EXCHANGER ASSY (3008) | 1 |
| 30 | 20-1098A18 | HEAT SHIELD (3008 GASOLINE MODELS) | 1 |
| 31 | 20-1099A18 | HEAT SHIELD SIDE (3008 GASOLINE MODELS) | 1 |
| 32 | N/A | FLOAT TANK ASSEMBLY | 1 |
| 33 | 15-0033 | HOSE *(FOUR FEET REQUIRED) | 1 |
| 34 | 42-0003 | HOSE CLAMP | 1 |
| 35 | 62-0218 | BREATHER VENT COVER (GASOLINE MODELS) | 1 |
| 36 | 62-0212 | CARB CANISTER (GASOLINE MODELS) | 1 |
| 37 | 20-1187A01 | CARB CANISTER STRAP (GASOLINE MODELS) | 2 |
| 38 | 27-0072 | BOLT (GASOLINE MODELS) | 2 |
| 39 | 20-1197A18 | CARB CANISTER MOUNT (GASOLINE MODELS) | 1 |
| 40 | 30-0155 | LOCKNUT (GASOLINE MODELS) | 6 |
| 40 | 30-0155 | LOCKNUT (DIESEL MODELS) | 4 |
| 41 | 27-0016 | BOLT (GASOLINE MODELS) | 2 |

Id **Item #**

Description

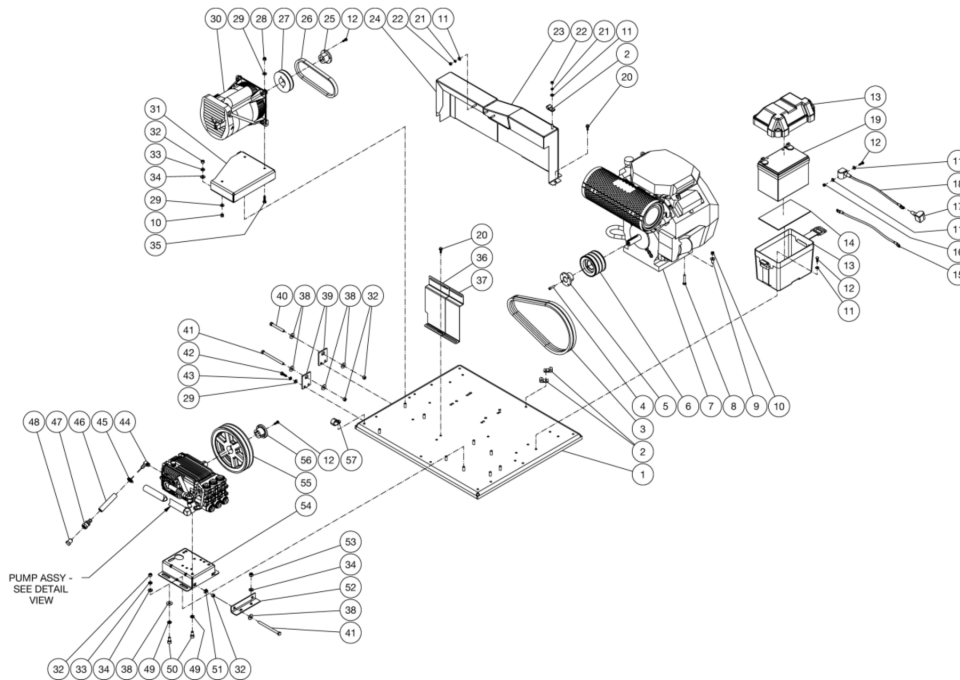
Quantity

*MUST ORDER IN ONE FOOT LENGTHS



HDS-3506-0H6A / HDS-3506-0H6A (sn:0-99999999)

ISOLATION PLATE



| Id | Item # | Description | Quantity |
|----|-----------|--|----------|
| 1 | 5-0170A18 | ISOLATION PLATE | 1 |
| 2 | 43-0003 | CLIP | 3 |
| 3 | 11-0052 | BELT (3005/3008/3505/4005) | 2 |
| 3 | 11-0050 | BELT (3506) | 2 |
| 4 | 27-0850 | BOLT | 2 |
| 5 | 9-0005 | BUSHING (3005-0V6G/3505-1H6G/3505-0V6A_G/3506-1H6G/4005-2H6G) | 1 |
| 5 | 9-0007 | BUSHING (3008-0K6G/3505-0K6A_G/3506-0K6A_G/40005-0K6A/4005-1K6G) | 1 |
| 5 | 9-0010 | BUSHING (3005-0K6G/3008-1H6G) | 1 |
| 6 | 10-0011 | SHEAVE (3008) | 1 |
| 6 | 10-0061 | SHEAVE (3005/505/3506/4005) | 1 |
| 7 | 850-0293 | ENGINE (3008-0K6G/3506-0K6A_G/4005-0K6A/4005-1K6G) | 1 |
| 7 | 850-0294 | ENGINE (3005-0V6G) | 1 |
| 7 | 850-0295 | ENGINE (3505-0V6A_G) | 1 |
| 7 | 850-0332 | ENGINE (3005-0K6G) | 1 |

| Id | Item # | Description | Quantity |
|-----------|---------------|--|-----------------|
| 7 | 850-0333 | ENGINE (3505-0K6A_G) | 1 |
| 7 | 850-0393 | ENGINE (3505-1H6H/3506-1H6G/4005-2H6G) | 1 |
| 7 | 850-0394 | ENGINE (3008-1H6G) | 1 |
| 8 | 27-0070 | BOLT (HONDA/ VANGUARD ENGINES) | 4 |
| 8 | 27-0120 | BOLT (KOHLER ENGINE) | 4 |
| 9 | 33-0169 | SHIM (HONDA ENGINE) | 4 |
| 9 | 28-0003 | WASHER (VANGUARD ENGINE) | 4 |
| 9 | 28-0004 | WASHER (KOHLER ENGINE) | 4 |
| 10 | 30-0157 | LOCKNUT (HONDA/ VANGUARD UNITS) | 4 |
| 10 | 30-0159 | NUT (KOHLER UNITS) | 4 |
| 11 | 28-0002 | WASHER | 10 |
| 12 | 27-0015 | BOLT | 9 |
| 13 | 33-0092 | BATTERY BOX | 1 |
| 14 | 33-0509 | RUBBER PAD | 1 |
| 15 | 32-9113 | CABLE | 1 |
| 16 | 30-0155 | LOCKNUT | 1 |
| 17 | 33-0004 | BATTERY CABLE COVER | 1 |
| 18 | 32-9114 | CABLE | 1 |
| 19 | N/A | BATTERY (NOT SHIPPED WITH UNIT) | 1 |
| 20 | 27-1200 | BOLT | 6 |
| 21 | 29-0006 | LOCKWASHER | 4 |
| 22 | 30-0002 | NUT | 4 |
| 23 | 6-0092A18 | PUMP BELTGUARD | 1 |
| 24 | 6-0091A18 | GENERATOR BELTGUARD | 1 |
| 25 | 9-0033 | BUSHING | 1 |
| 26 | 11-0048 | ALT BELT (3005/3505/3506/4005) | 1 |
| 26 | 11-0074 | ALT BELT (3008) | 1 |
| 27 | 10-0028 | SHEAVE (3005/3505/3506/4005) | 1 |
| 27 | 10-0039 | SHEAVE (3008) | 1 |
| 28 | 30-0157 | LOCKNUT | 3 |
| 29 | 28-0003 | WASHER | 7 |
| 30 | 850-0352 | ALTERNATOR | 1 |
| 31 | 20-0583A18 | ALTERNATOR HAT | 1 |
| 32 | 30-0006 | NUT | 11 |
| 33 | 29-0008 | LOCKWASHER | 7 |
| 34 | 28-0004 | WASHER | 9 |
| 35 | 27-0068 | BOLT | 3 |
| 36 | 20-1642A18 | BRACKET | 1 |

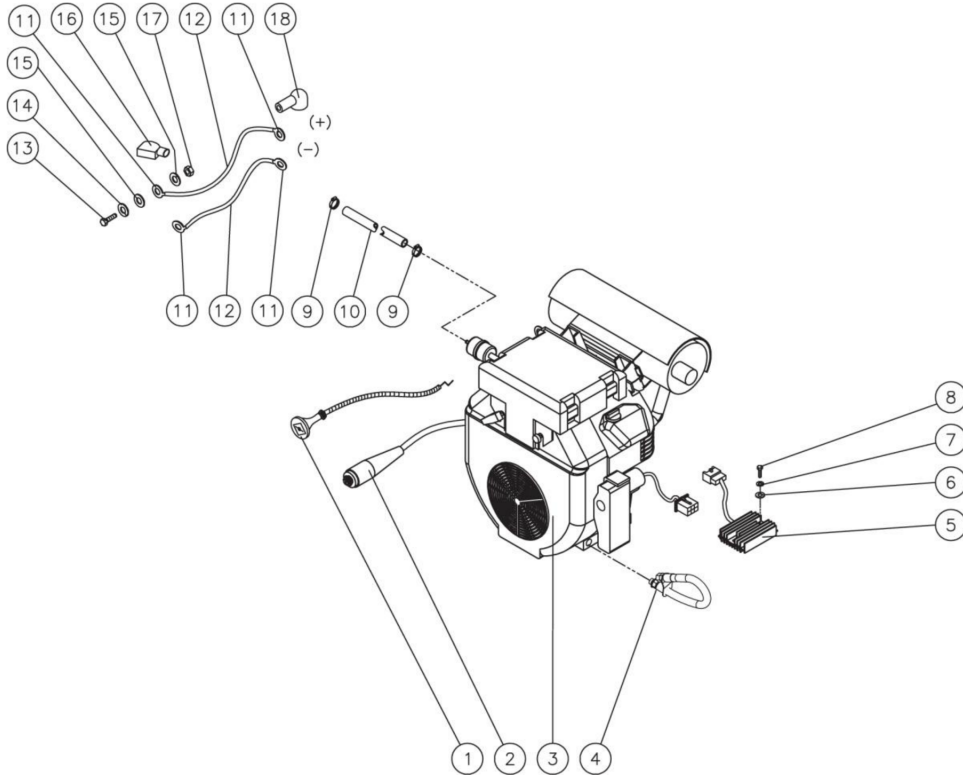
| Id | Item # | Description | Quantity |
|----|------------|------------------------------|----------|
| 37 | 20-0589A18 | BELTGUARD COVER | 1 |
| 38 | 28-0023 | WASHER | 7 |
| 39 | 20-0587A18 | TENSION BRACKET | 2 |
| 40 | 27-0576 | BOLT | 1 |
| 41 | 27-0133 | BOLT | 3 |
| 42 | 27-0067 | BOLT | 4 |
| 43 | 29-0007 | LOCKWASHER | 4 |
| 44 | 23-0119 | ELBOW | 1 |
| 45 | 42-0011 | HOSE CLAMP | 1 |
| 46 | 15-0305 | HOSE *(TWO FEET REQUIRED) | 1 |
| 47 | 23-0360 | HOSE BARB | 1 |
| 48 | 23-0411 | PLUG | 1 |
| 49 | 29-0055 | LOCKWASHER (A/R MODELS) | 4 |
| 49 | 29-0054 | LOCKWASHER (GENERAL MODELS) | 4 |
| 50 | 27-8471 | BOLT (A/R MODELS) | 4 |
| 50 | 27-8884 | BOLT (GENERAL MODELS) | 4 |
| 51 | 30-6025 | CLIP NUT | 2 |
| 52 | 20-0584A18 | TENSION BRACKET | 1 |
| 53 | 30-0159 | LOCKNUT | 2 |
| 54 | 5-0153A18 | PUMP HAT | 1 |
| 55 | 10-0012 | SHEAVE (3506) | 1 |
| 55 | 10-0037 | SHEAVE (3005/3008/3505/4005) | 1 |
| 56 | 9-0017 | BUSHING | 1 |

*MUST ORDER IN ONE FOOT LENGTHS



HDS-3506-0H6A / HDS-3506-0H6A (sn:0-99999999)

ENGINE ASSY



| Id | Item # | Description | Quantity |
|----|----------|------------------------------------|----------|
| 1 | 33-0081 | CHOKE CABLE | 1 |
| 2 | 45-0076 | KEY SWITCH ASSEMBLY (W/ 1-0128) | 1 |
| 3 | 1-0143 | ENGINE- 24HP HONDA | 1 |
| 4 | 70-0504 | ENGINE- OIL DRAIN | 1 |
| 5 | N/A Sep. | RECTIFIER (SEE 1-0128) | 1 |
| 6 | 28-0002 | WASHER | 3 |
| 7 | 29-0006 | LOCKWASHER | 3 |
| 8 | 27-0016 | SCREW | 2 |
| 9 | 42-0004 | CLAMP | 2 |
| 10 | 15-0008 | HOSE *(FOUR FEET REQUIRED) | 1 |
| 11 | 32-0097 | TERMINAL RING | 4 |
| 12 | 32-0065 | CABLE- GROUND *(TWO FEET REQUIRED) | 1 |
| - | 32-0065 | CABLE- POS *(THREE FEET REQUIRED) | 1 |

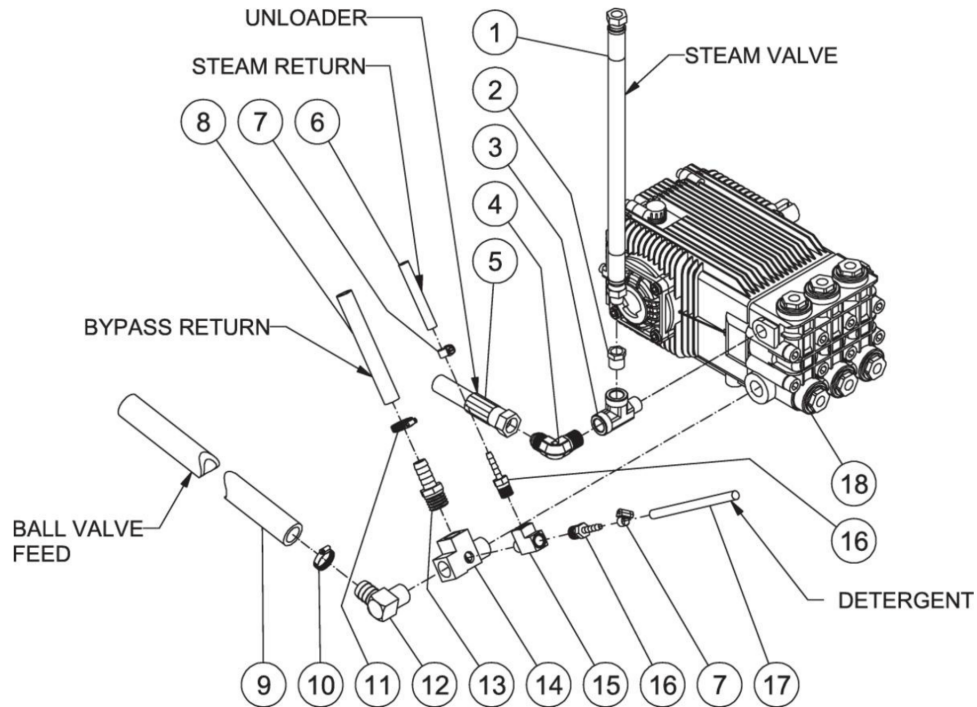
| Id | Item # | Description | Quantity |
|-----------|---------------|---------------------------|-----------------|
| 13 | 27-0066 | SCREW | 2 |
| 14 | 29-0007 | LOCKWASHER | 2 |
| 15 | 28-0003 | WASHER | 4 |
| 16 | 33-0004 | TERMINAL PROTECTOR- RED | 1 |
| 17 | 30-0005 | NUT | 2 |
| 18 | 33-0273 | TERMINAL PROTECTOR- BLACK | 1 |

*MUST ORDER IN ONE FOOT LENGTHS



HDS-3506-0H6A / HDS-3506-0H6A (sn:0-99999999)

PUMP PLUMBING



| Id | Item # | Description | Quantity |
|----|---------|--------------------------------|----------|
| 1 | 15-0225 | HIGH PRESSURE HOSE ASSY | 1 |
| 2 | 23-0017 | BUSHING | 1 |
| 3 | 23-0058 | STREET TEE | 1 |
| 4 | 24-0092 | ELBOW | 1 |
| 5 | 15-0221 | HIGH PRESSURE HOSE ASSY | 1 |
| 6 | 15-0008 | FUEL HOSE *(TWO FEET REQUIRED) | 1 |
| 7 | 42-0004 | CLAMP WORM | 2 |
| 8 | 15-0007 | HOSE *(THREE FEET REQUIRED) | 1 |
| 9 | 15-0033 | HOSE *(FOUR FEET REQUIRED) | 1 |
| 10 | 42-0003 | HOSE CLAMP | 1 |
| 11 | 42-0011 | HOSE CLAMP | 1 |
| 12 | 23-0037 | ELBOW | 1 |
| 13 | 23-0045 | HOSE BARB | 1 |
| 14 | 23-0388 | STREET TEE | 1 |
| 15 | 23-0127 | STREET TEE | 1 |

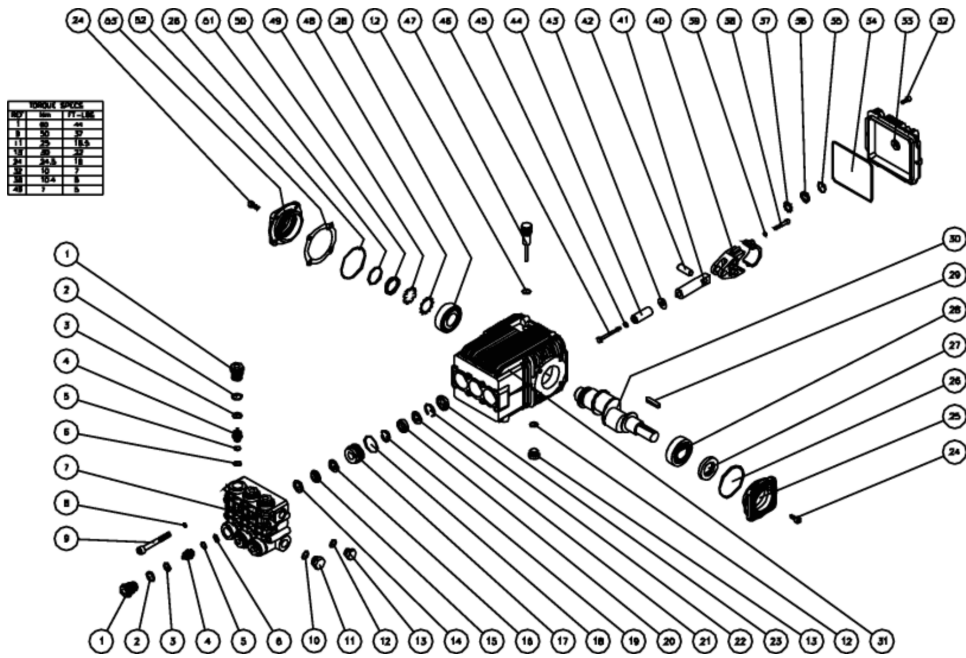
| Id | Item # | Description | Quantity |
|-----------|---------------|-------------------------------------|-----------------|
| 16 | 23-0051 | HOSE BARB | 2 |
| 17 | 15-0079 | DETERGENT HOSE *(TWO FEET REQUIRED) | 1 |
| 18 | 3-0212 | PUMP (A/R MODELS) | 1 |
| 18 | 3-0202 | PUMP (GENERAL MODELS) | 1 |

*MUST ORDER IN ONE FOOT LENGTHS



HDS-3506-0H6A / HDS-3506-0H6A (sn:0-99999999)

PUMP ASSY



| Id | Item # | Description | Quantity |
|----|----------|----------------------------------|----------|
| 1 | 39-0201 | VALVE CAP | 6 |
| 2 | 25-0509 | BACK-UP RING | 6 |
| 3 | 25-0386 | O-RING | 6 |
| 4 | N/A Sep. | VALVE W/O-RING (SEE 70-0314) | 6 |
| 5 | 25-0516 | BACK-UP RING | 6 |
| 6 | 25-0515 | O-RING | 6 |
| 7 | 46-0900 | MANIFOLD PUMP | 1 |
| 8 | 29-0155 | LOCKWASHER | 8 |
| 9 | 27-8470 | SCREW | 8 |
| 10 | 25-0372 | O-RING | 1 |
| 11 | 39-0202 | PLUG | 1 |
| 12 | 25-0510 | O-RING | 3 |
| 13 | 39-0203 | PLUG | 2 |
| 14 | N/A Sep. | SUPPORT RING (SEE 70-0317) | 3 |
| 15 | N/A Sep. | HIGH PRESSURE SEAL (SEE 70-0317) | 3 |
| 16 | N/A Sep. | LOW PRESSURE SEAL (SEE 70-0317) | 3 |

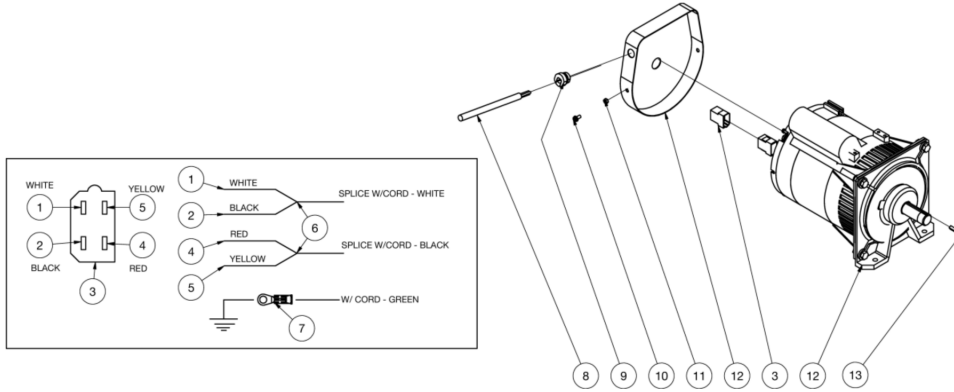
| Id | Item # | Description | Quantity |
|-----------|---------------|------------------------------------|-----------------|
| 17 | 46-0904 | PISTON GUIDE | 3 |
| 18 | N/A Sep. | O-RING (SEE 70-0317) | 3 |
| 19 | N/A Sep. | BACK-UP RING (SEE 70-0317) | 3 |
| 20 | N/A Sep. | LOW PRESSURE SEAL (SEE 70-0317) | 3 |
| 21 | 46-0907 | SPACER | 3 |
| 22 | 46-0908 | SNAP-RING | 3 |
| 23 | 26-0242 | OIL SEAL | 3 |
| 24 | 27-8884 | SCREW | 8 |
| 25 | N/A | SHAFT COVER | 1 |
| 26 | 25-0512 | O-RING | 2 |
| 27 | 26-0243 | OIL SEAL | 1 |
| 28 | 48-0073 | BEARING | 2 |
| 29 | 43-0091 | KEY | 1 |
| 30 | N/A | CRANKSHAFT (PUMP 2-0212) | 1 |
| 30 | N/A | CRANKSHAFT (PUMP 3-0213) | 1 |
| 31 | 46-0911 | CRANKCASE | 1 |
| 32 | 27-8888 | SCREW | 6 |
| 33 | 46-0912 | CRANKCASE COVER (INC. 35-37) | 1 |
| 34 | 25-0513 | O-RING | 1 |
| 35 | 25-0370 | O-RING | 1 |
| 36 | 46-0670 | OIL SIGHT GLASS | 1 |
| 37 | 46-0671 | SPRING RETAINER | 1 |
| 38 | N/A | SCREW | 6 |
| 39 | N/A | LOCKWASHER | 6 |
| 40 | 46-0913 | CONNECTING ROD | 3 |
| 41 | 46-0915 | PLUNGER ROD | 3 |
| 42 | 46-0914 | CONNECTING ROD PIN | 3 |
| 43 | 46-0916 | SLINGER WASHER | 3 |
| 44 | 46-0917 | PISTON | 3 |
| 45 | 28-1041 | WASHER | 3 |
| 46 | 27-8965 | SCREW | 3 |
| 47 | 39-0204 | OIL DIPSTICK | 1 |
| 48 | 46-0924 | SPRING RETAINER | 1 |
| 49 | 46-0925 | REFLECTOR PUMP | 1 |
| 50 | 46-0926 | OIL SIGHT | 1 |
| 51 | 25-0514 | O-RING | 1 |
| 52 | 46-0947 | SHIM | 1 |
| 53 | 46-0918 | SUPPORT BEARING COVER (INC. 48-51) | 1 |
| KIT | 70-0314 | VALVE KIT KIT (INC. 6 EACH 4-6) | 1 |

| Id | Item # | Description | Quantity |
|-----------|---------------|--|-----------------|
| KIT | 70-0317 | WATER SEALS KIT (INC. 3 EACH 14-16, 18-20) | 1 |



HDS-3506-0H6A / HDS-3506-0H6A (sn:0-99999999)

GENERATOR



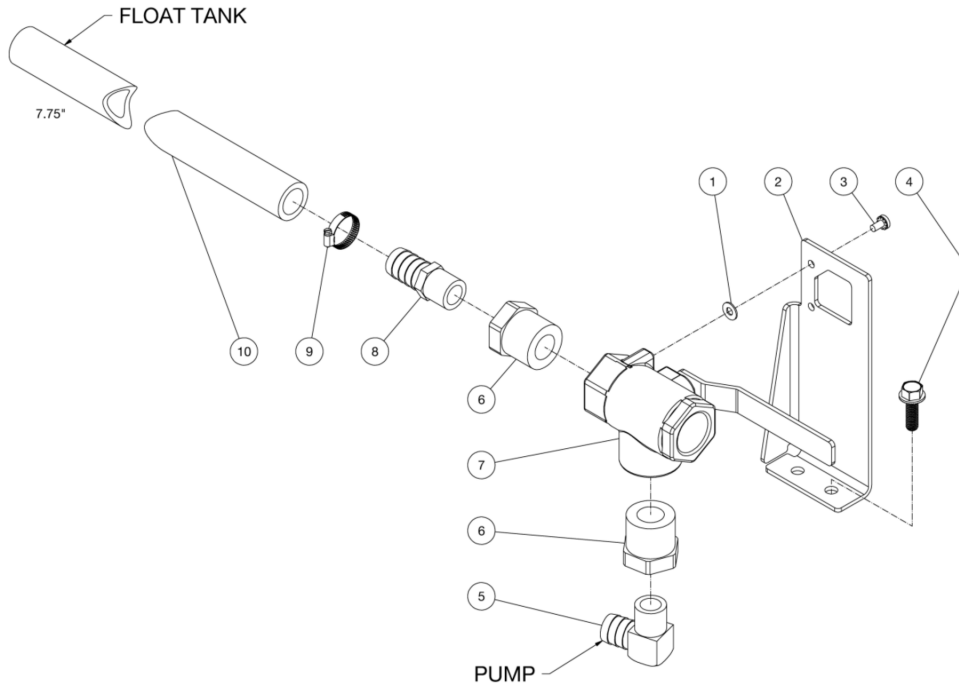
| Id | Item # | Description | Quantity |
|----|---------|---------------|----------|
| 1 | 32-0452 | WIRE - WHITE | 1 |
| 2 | 32-0091 | WIRE - BLACK | 1 |
| 3 | N/A | CONNECTOR | 1 |
| 4 | 32-0178 | WIRE - RED | 1 |
| 5 | 32-0853 | WIRE - YELLOW | 1 |
| 6 | 32-0417 | CRIMP | 1 |
| 7 | 32-0099 | TERMINAL RING | 1 |
| 8 | 32-0440 | CORD | 1 |
| 9 | 9-0045 | BUSHING | 1 |
| 10 | 27-9593 | SCREW | 2 |
| 11 | 30-6001 | NUT | 1 |
| 12 | 32-0895 | ALTERNATOR | 1 |
| 13 | 43-0085 | KEY | 1 |

*MUST ORDER IN ONE FOOT LENGTHS



HDS-3506-0H6A / HDS-3506-0H6A (sn:0-99999999)

BALL VALVE ASSY



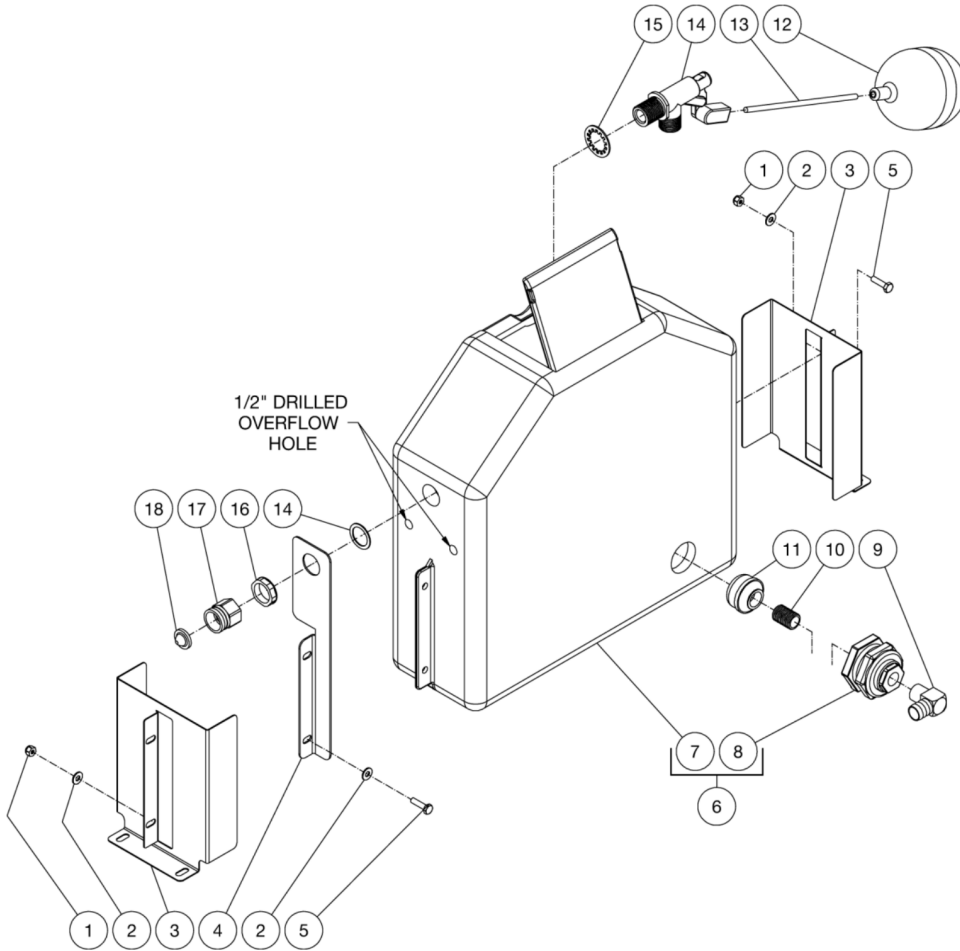
| Id | Item # | Description | Quantity |
|----|------------|---------------------------|----------|
| 1 | 28-0001 | WASHER | 2 |
| 2 | 20-0560A18 | BRACKET | 1 |
| 3 | 27-9533 | SCREW | 2 |
| 4 | 27-1201 | BOLT | 2 |
| 5 | 23-0037 | ELBOW | 1 |
| 6 | 23-0226 | REDUCER | 2 |
| 7 | 22-0321 | BALL VALVE | 1 |
| 8 | 23-0036 | HOSE BARB | 1 |
| 9 | 42-0003 | HOSE CLAMP | 1 |
| 10 | 15-0033 | HOSE *(ONE FOOT REQUIRED) | 1 |

*MUST ORDER IN ONE FOOT LENGTHS



HDS-3506-0H6A / HDS-3506-0H6A (sn:0-99999999)

FLOAT TANK ASSY



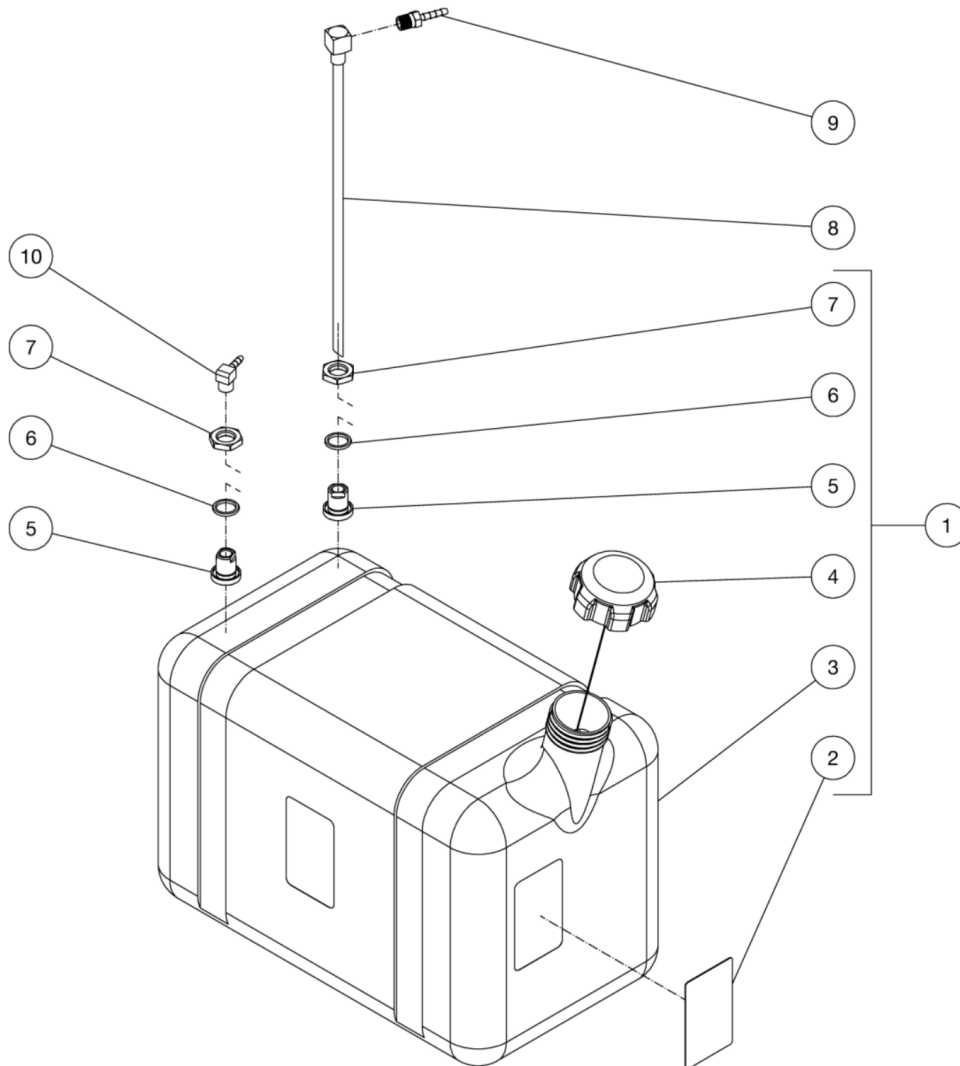
| Id | Item # | Description | Quantity |
|----|------------|--------------------------------|----------|
| 1 | 30-0155 | LOCKNUT | 4 |
| 2 | 28-0002 | WASHER | 6 |
| 3 | 20-0586A18 | BRACKET / FLOAT TANK | 2 |
| 4 | 20-0912A18 | BRACKET | 1 |
| 5 | 27-0016 | BOLT | 4 |
| 6 | 850-0322 | FLOAT TANK ASSEMBLY (INC. 7-8) | 1 |
| 7 | N/A | FLOAT TANK | 1 |
| 8 | N/A | BULKHEAD (INC. 25-0506 GASKET) | 1 |
| 9 | 23-0037 | ELBOW | 1 |
| 10 | 23-0019 | NIPPLE | 1 |

| Id | Item # | Description | Quantity |
|-----------|---------------|--------------------|-----------------|
| 11 | 19-0203 | STRAINER | 1 |
| 12 | 22-0059 | FLOAT | 1 |
| 13 | 31-3320 | BALL FLOAT STUD | 1 |
| 14 | 22-0317 | FLOAT VALVE | 1 |
| 15 | 29-0074 | LOCKWASHER | 1 |
| 16 | 23-0428 | LOCKNUT | 1 |
| 17 | 23-0021 | GARDEN HOSE INLET | 1 |
| 18 | 19-0001 | FILTER | 1 |



HDS-3506-0H6A / HDS-3506-0H6A (sn:0-99999999)

GAS TANK ASSY



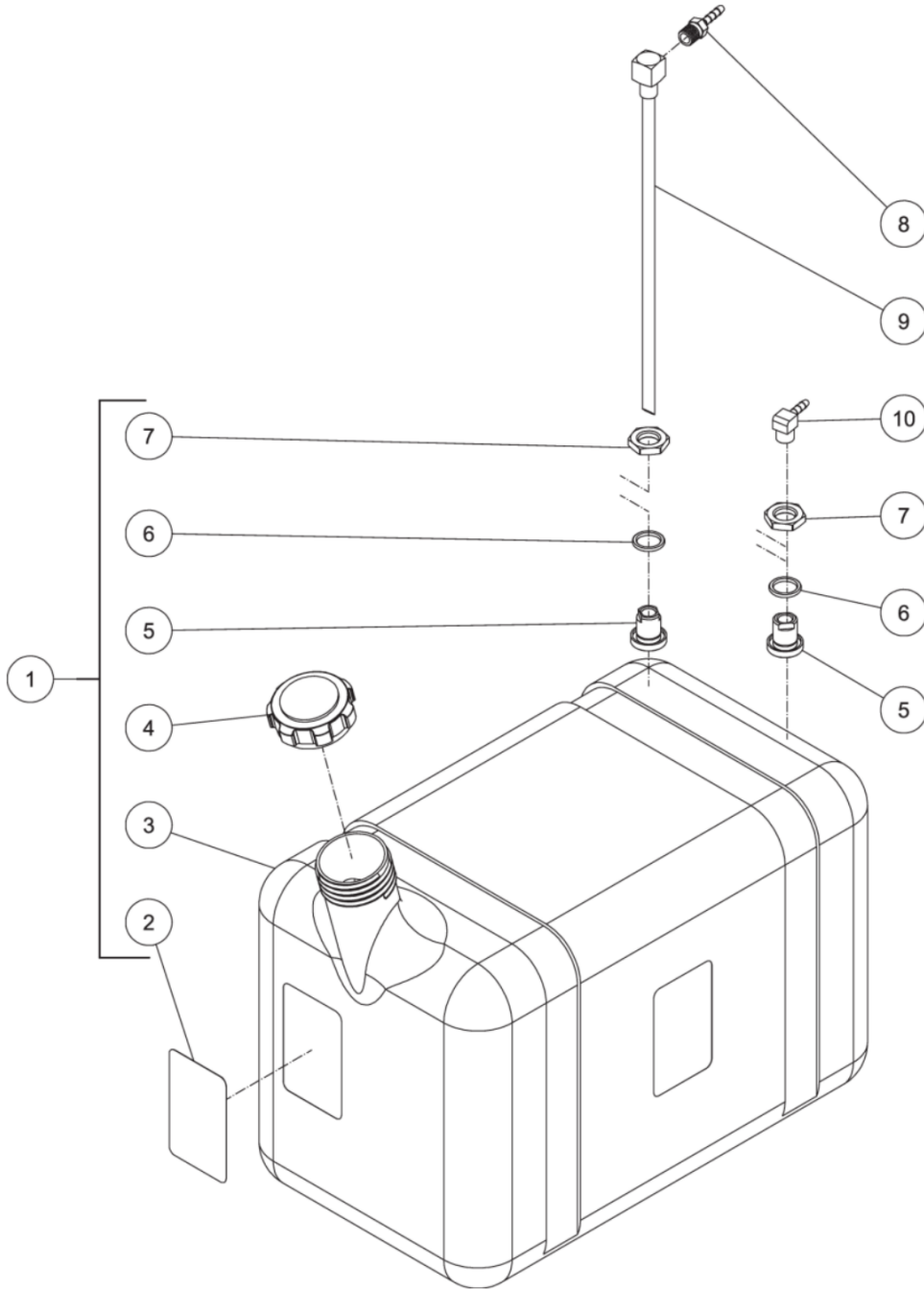
| Id | Item # | Description | Quantity |
|----|----------|---|----------|
| 1 | 850-0306 | GAS TANK ASSY (INC 2-7) | 1 |
| 2 | N/A | DECAL- CAUTION: GASOLINE ONLY (SEE 71-0034) | 1 |
| 3 | N/A | FUEL TANK - RED | 1 |
| 4 | 12-0220 | FUEL CAP - SEALED/TETHERED | 1 |
| 5 | 23-0408 | BULKHEAD FITTING | 2 |
| 6 | 25-0427 | O-RING | 2 |
| 7 | 23-0409 | NUT | 2 |
| 8 | 33-0352 | FUEL PICK-UP | 1 |

| Id | Item # | Description | Quantity |
|-----------|---------------|--------------------|-----------------|
| 9 | 23-0051 | BARB | 1 |
| 10 | 23-0054 | ELBOW | 1 |



HDS-3506-0H6A / HDS-3506-0H6A (sn:0-99999999)

BURNER FUEL TANK



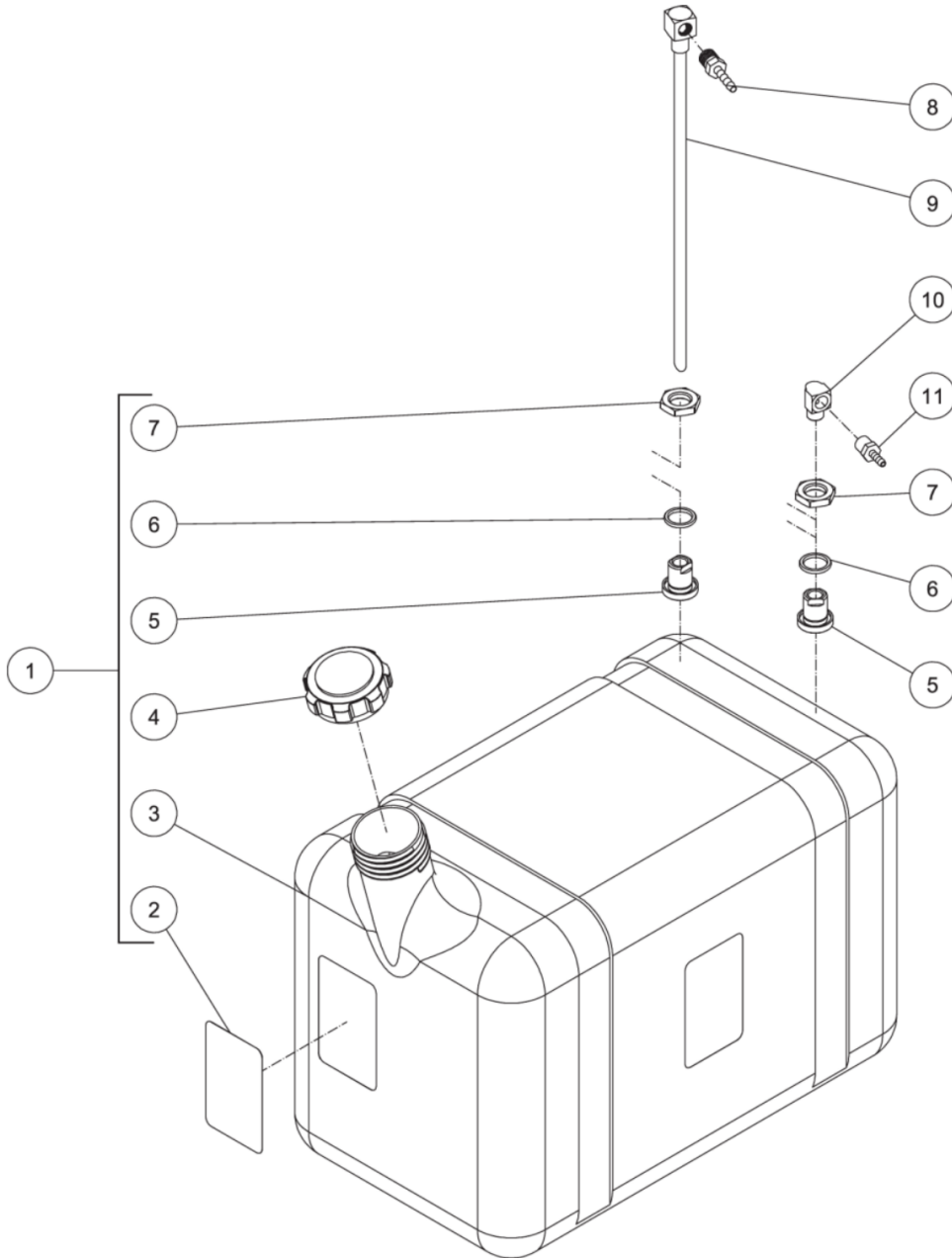
| Id | Item # | Description | Quantity |
|----|----------|-------------------------------|----------|
| 1 | 850-0307 | FUEL TANK ASSEMBLY (INC. 2-7) | 1 |
| 2 | 34-1034 | DECAL- CAUTION: RISK OF FIRE | 1 |

| Id | Item # | Description | Quantity |
|-----------|---------------|--------------------------|-----------------|
| 3 | N/A Sep. | FUEL TANK (SEE 850-0307) | 1 |
| 4 | 12-0033 | FUEL CAP | 1 |
| 5 | 23-0408 | BULKHEAD FITTING | 2 |
| 6 | 25-0427 | O-RING | 2 |
| 7 | 23-0409 | NUT | 2 |
| 8 | 23-0051 | HOSE BARB | 1 |
| 9 | 33-0352 | FUEL PICKUP | 1 |
| 10 | 23-0054 | ELBOW | 1 |



HDS-3506-0H6A / HDS-3506-0H6A (sn:0-99999999)

DIESEL FUEL TANK



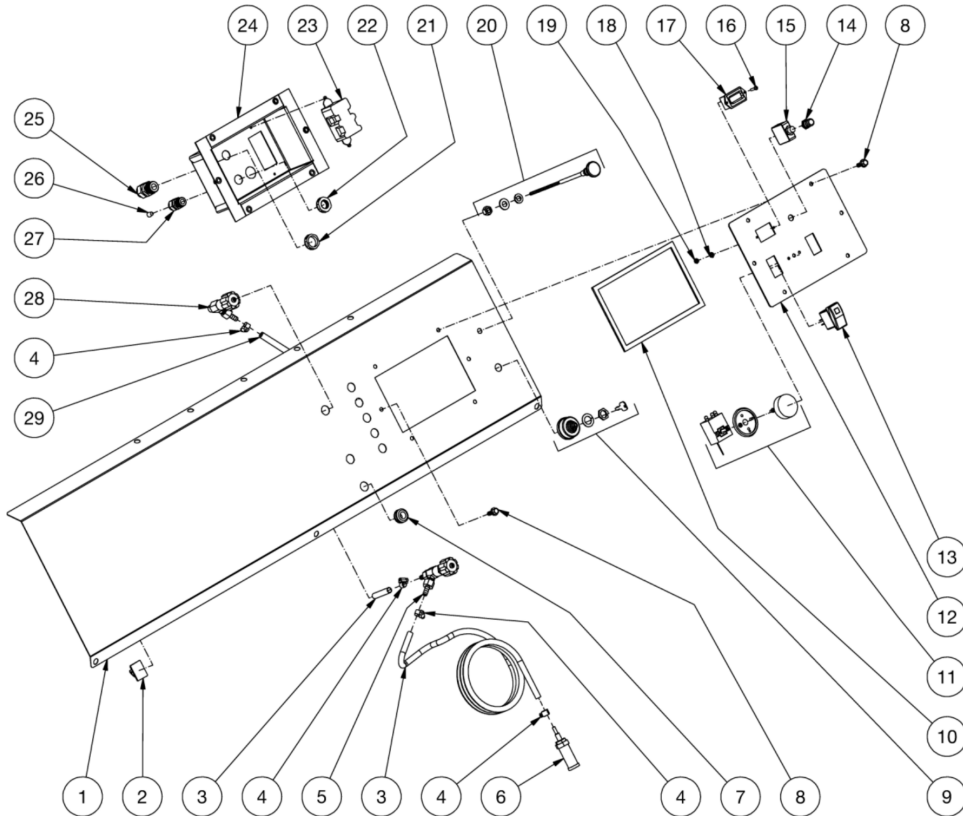
| Id | Item # | Description | Quantity |
|----|----------|-------------------------------|----------|
| 1 | 850-0307 | FUEL TANK ASSEMBLY (INC. 2-7) | 1 |
| 2 | 34-1034 | DECAL- CAUTION: RISK OF FIRE | 1 |
| 3 | N/A Sep. | FUEL TANK (SEE 850-0307) | 1 |
| 4 | 12-0033 | FUEL CAP | 1 |

| Id | Item # | Description | Quantity |
|-----------|---------------|--------------------|-----------------|
| 5 | 23-0408 | BULKHEAD FITTING | 2 |
| 6 | 25-0427 | O-RING | 2 |
| 7 | 23-0409 | NUT | 2 |
| 8 | 23-0051 | HOSE BARB | 1 |
| 9 | 33-0352 | FUEL PICKUP | 1 |
| 10 | 23-0014 | ELBOW | 1 |
| 11 | 23-0455 | HOSE BARB | 1 |



HDS-3506-0H6A / HDS-3506-0H6A (sn:0-99999999)

CONTROL PANEL



| Id | Item # | Description | Quantity |
|----|---------|-----------------------------|----------|
| 1 | 21-0285 | CONTROL PANEL | 1 |
| 2 | 33-0264 | WIRE CLIP | 5 |
| 3 | 15-0021 | HOSE *(EIGHT FEET REQUIRED) | 1 |
| 4 | 42-0004 | CLAMP WORM | 4 |
| 5 | 22-0226 | DETERGENT VALVE | 1 |
| 6 | 19-0056 | STRAINER | 1 |
| 7 | 33-0001 | GROMMET | 6 |
| 8 | 27-1200 | BOLT | 6 |
| 9 | 45-0076 | KEY SWITCH | 1 |
| 10 | 26-0248 | GASKET | 2 |
| 11 | 32-0962 | ADJUSTABLE THERMOSTAT | 1 |
| 12 | 21-0144 | ELECTRIC BOX PANEL | 1 |

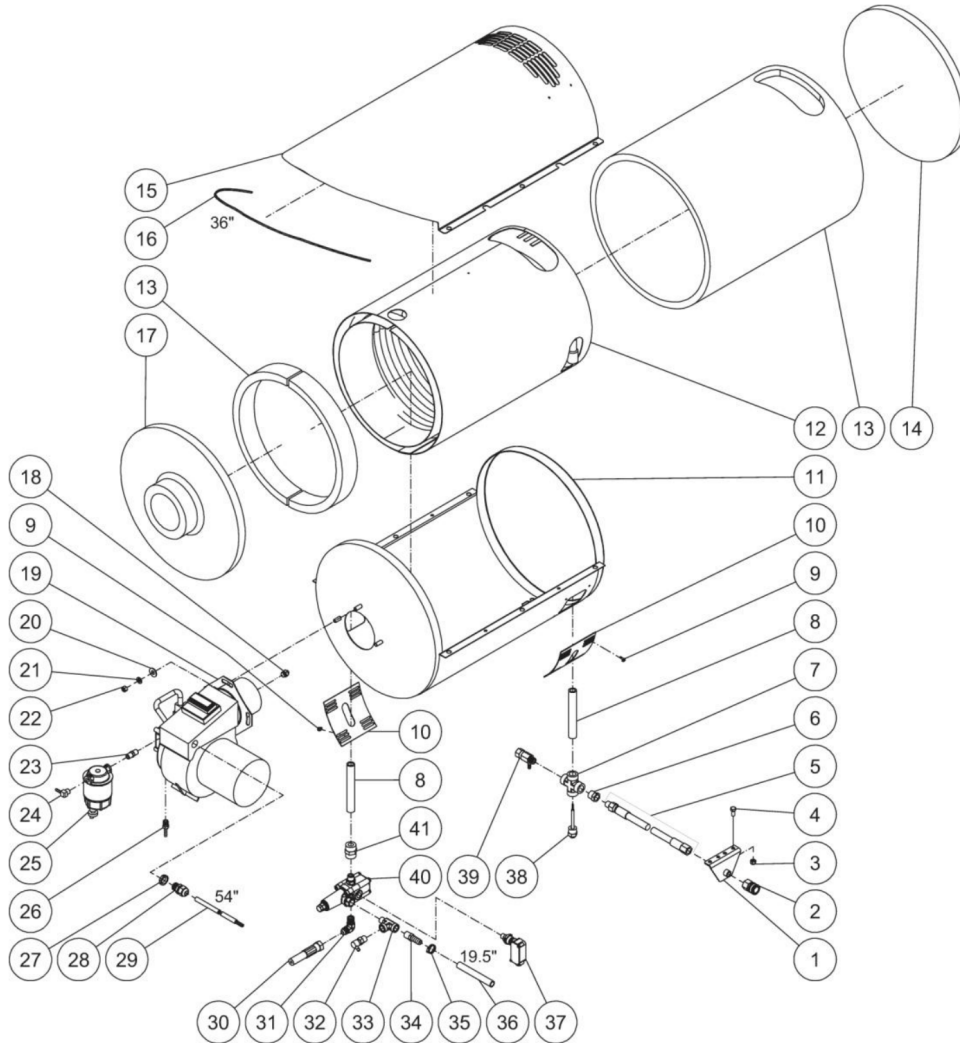
| Id | Item # | Description | Quantity |
|-----------|---------------|----------------------|-----------------|
| 13 | 32-0669 | ROCKER SWITCH | 2 |
| 14 | 32-0441 | CIRCUIT BREAKER BOOT | 1 |
| 15 | 32-0438 | CIRCUIT BREAKER | 1 |
| 16 | 27-8881 | SCREW | 2 |
| 17 | 32-0668 | HOUR METER | 1 |
| 18 | 28-1009 | STAR WASHER | 2 |
| 19 | 30-0052 | NUT | 2 |
| 20 | 33-0081 | CHOKE CABLE | 1 |
| 21 | 32-0108 | ELECTRICAL LOCKNUT | 2 |
| 22 | 32-0587 | ELECTRICAL LOCKNUT | 3 |
| 23 | 32-0245 | GFCI OUTLET | 1 |
| 24 | 20-0582A18 | ELECTRIC BOX | 1 |
| 25 | 32-0437 | STRAIN RELIEF | 2 |
| 26 | 32-0708 | STRAIN RELIEF PLUG | 1 |
| 27 | 32-0586 | STRAIN RELIEF | 3 |
| 28 | 22-0329 | STEAM VALVE | 1 |
| 29 | 15-0008 | FUEL HOSE | 1 |

*MUST ORDER IN ONE FOOT LENGTHS



HDS-3506-0H6A / HDS-3506-0H6A (sn:0-99999999)

HEAT EXCHANGER ASSY



| Id | Item # | Description | Quantity |
|----|------------|----------------------|----------|
| 1 | 13-0199A18 | WATER OUTLET BRACKET | 1 |
| 2 | 17-0004 | QC SOCKET | 1 |
| 3 | 30-0157 | LOCKNUT | 2 |
| 4 | 27-0066 | BOLT | 2 |
| 5 | 15-0202 | HP HOSE | 1 |
| 6 | 23-0016 | REDUCER BUSHING | 1 |
| 7 | 24-0241 | CROSS | 1 |
| 8 | 24-0254 | PIPE NIPPLE | 2 |

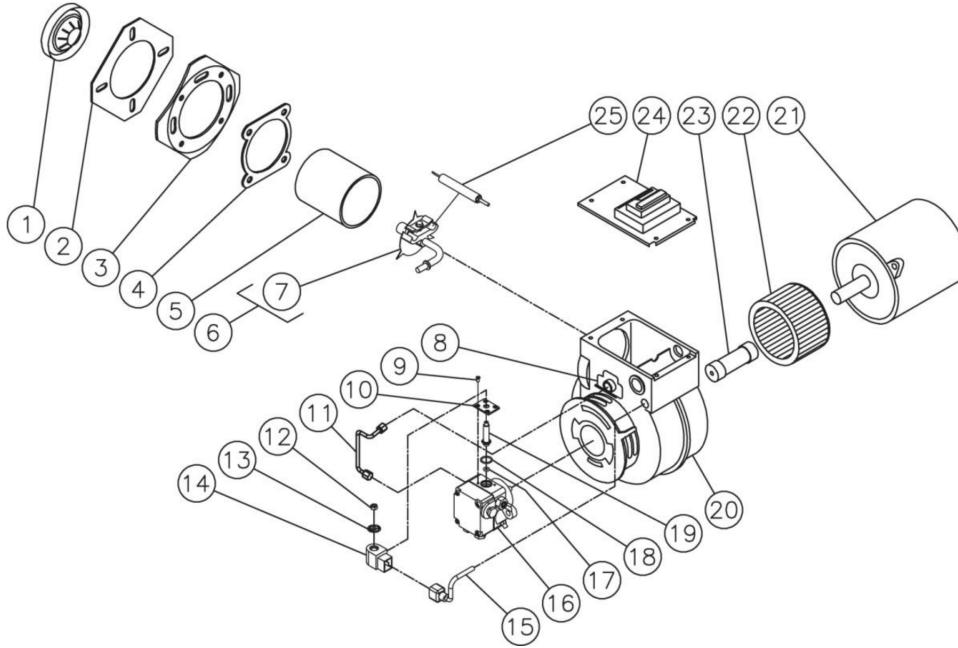
| Id | Item # | Description | Quantity |
|-----------|---------------|-------------------------------|-----------------|
| 9 | 27-3062 | BOLT | 8 |
| 10 | 20-0537A18 | PATCH PLATE | 2 |
| 11 | 21-0145 | BOTTOM WRAP | 1 |
| 12 | 66-0014 | COIL | 1 |
| 13 | 850-0279 | INSULATION BLANKET | 1 |
| 14 | 33-0346 | INSULATION DISC | 1 |
| 15 | 21-0129 | TOP WRAP | 1 |
| 16 | 33-0020 | EDGING *(THREE FEET REQUIRED) | 1 |
| 17 | 33-0345 | INSULATION DRUM HEAD | 1 |
| 18 | 18-0361 | FUEL NOZZLE | 1 |
| 19 | 4-0017 | BURNER | 1 |
| 20 | 28-0023 | WASHER | 3 |
| 21 | 29-0008 | LOCKWASHER | 3 |
| 22 | 30-0006 | NUT | 3 |
| 23 | 24-0145 | NIPPLE | 1 |
| 24 | 23-0054 | ELBOW | 1 |
| 25 | 19-0070 | FUEL FILTER / WATER SEPERATOR | 1 |
| 26 | 23-0051 | BARB | 1 |
| 27 | 32-0108 | ELECTRICAL LOCKNUT | 1 |
| 28 | 32-0437 | STRAIN RELIEF | 1 |
| 29 | 32-0247 | CORD *(FIVE FEET REQUIRED) | 1 |
| 30 | 15-0221 | HIGH PRESSURE HOSE ASSEMBLY | 1 |
| 31 | 24-0092 | ELBOW | 1 |
| 32 | 22-0432 | HEAT DUMP VALVE | 1 |
| 33 | 23-0058 | STREET TEE | 1 |
| 34 | 23-0105 | HOSE BARB | 1 |
| 35 | 42-0011 | HOSE CLAMP | 1 |
| 36 | 15-0007 | HOSE *(TWO FEET REQUIRED) | 1 |
| 37 | 22-0243 | PRESSURE SWITCH | 1 |
| 38 | 32-0962 | ADJUSTABLE THERMOSTAT | 1 |
| 39 | 22-0309 | SAFETY RELIEF VALVE | 1 |
| 40 | 8-0013 | UNLOADER (3005/3505) | 1 |
| 40 | 850-0304 | UNLOADER (3006/3506) | 1 |
| 41 | 24-0243 | ADAPTER | 1 |

*MUST ORDER IN ONE FOOT LENGTHS



HDS-3506-0H6A / HDS-3506-0H6A (sn:0-99999999)

BURNER ASSY



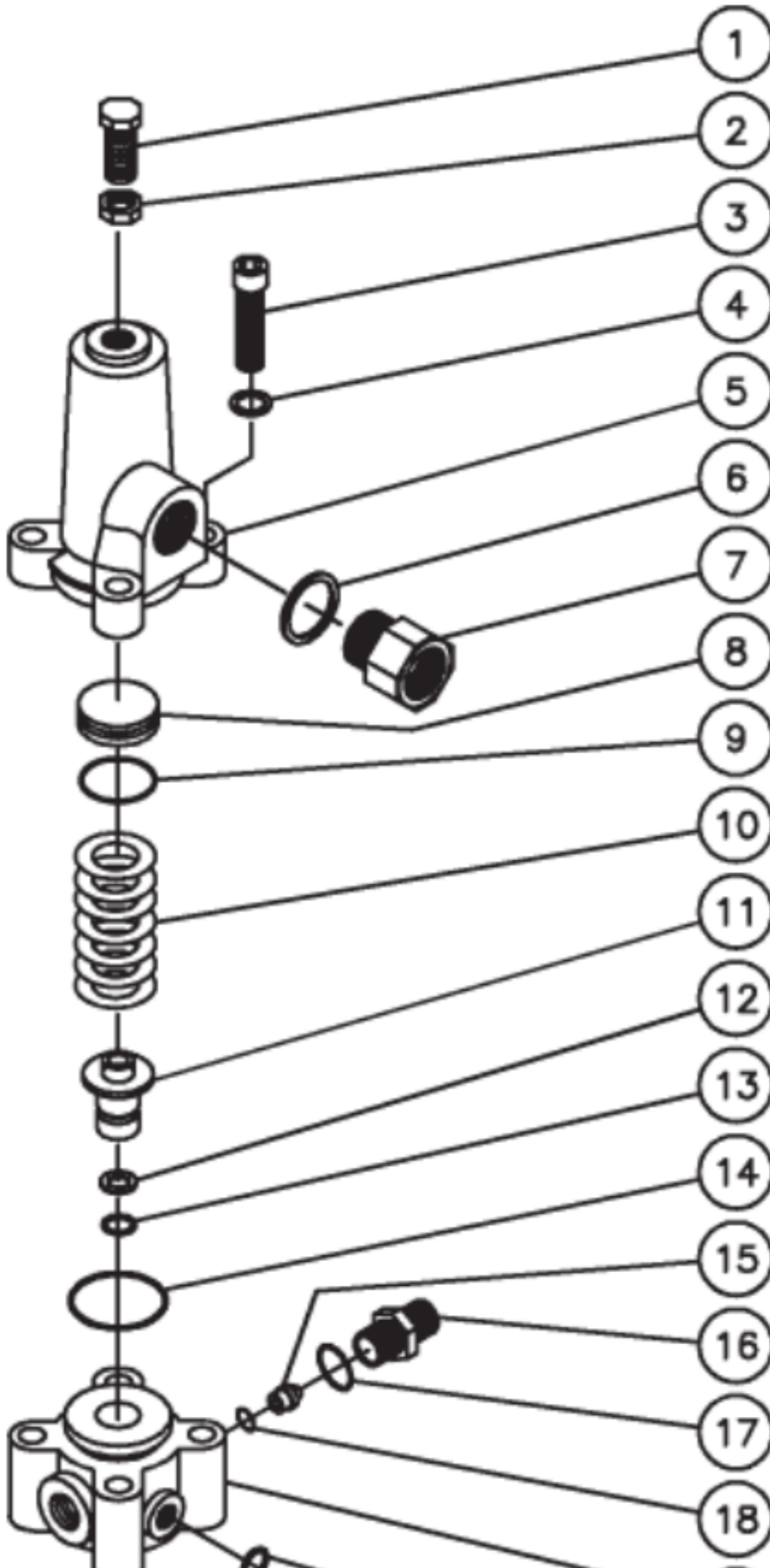
| Id | Item # | Description | Quantity |
|----|---------|-----------------------------|----------|
| 1 | 44-0011 | BURNER HEAD | 1 |
| 2 | 44-0108 | MOUNTING GASKET | 1 |
| 3 | 44-0109 | FLANGE | 1 |
| 4 | 26-0138 | GASKET | 1 |
| 5 | 44-0110 | AIR TUBE | 1 |
| 6 | 44-0113 | NOZZLE LINE ASSEMBLY | 1 |
| 7 | 44-0114 | ELECTRODE KIT | 1 |
| 8 | 44-0031 | ESCUTCHEON PLATE | 1 |
| 9 | SEE KIT | SCREW (SEE 70-0746) | 1 |
| 10 | 46-1004 | BASE PLATE (SEE 70-0746) | 1 |
| 11 | 44-0026 | FUEL LINE | 1 |
| 12 | 46-1016 | PISTON NUT (SEE 70-0746) | 1 |
| 13 | SEE KIT | SPRING WASHER (SEE 70-0746) | 1 |
| 14 | 46-1020 | FUEL SOLENOID | 1 |
| 15 | 44-0122 | CORD SET | 1 |
| 16 | 3-0236 | FUEL PUMP | 1 |

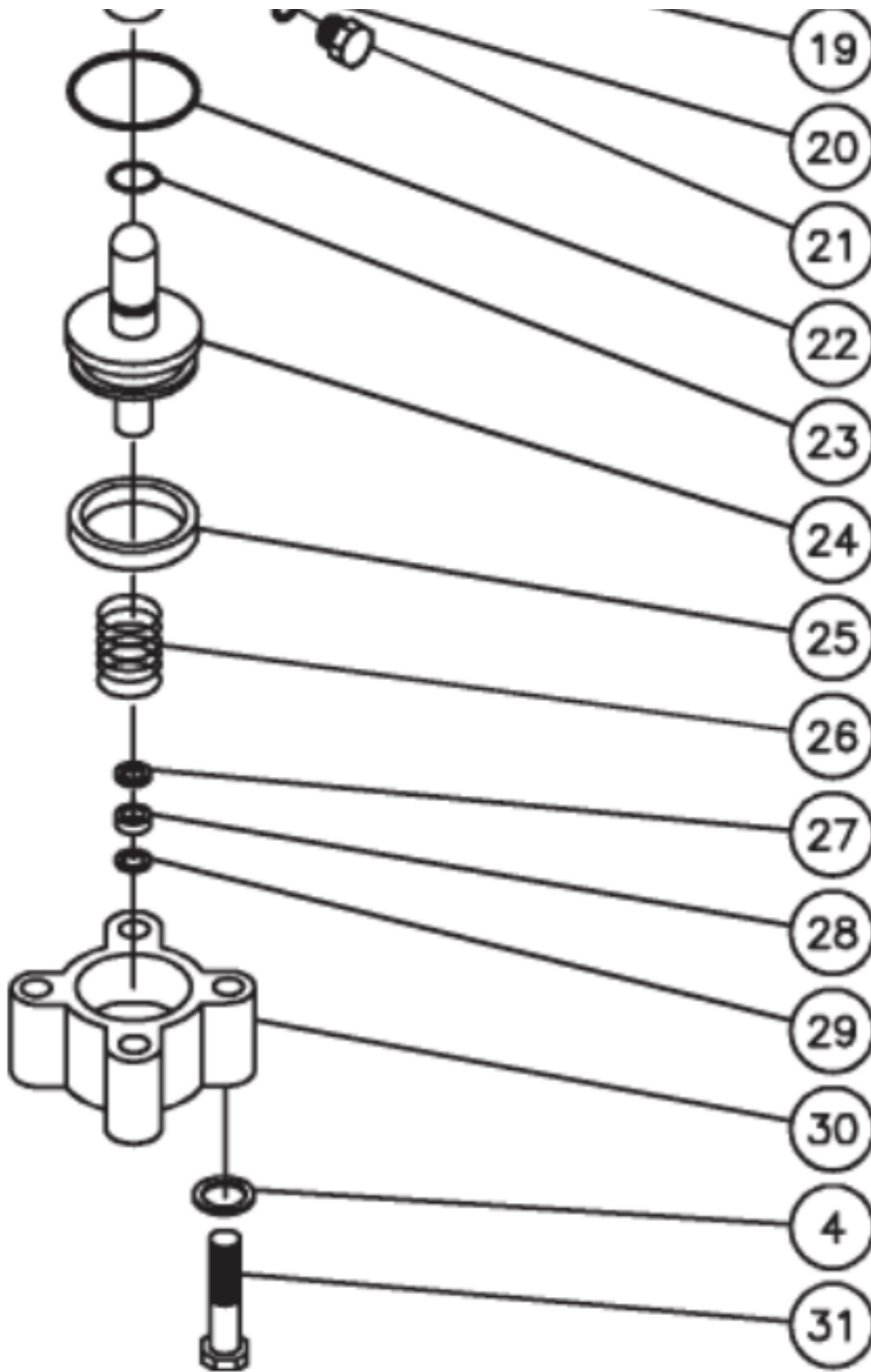
| Id | Item # | Description | Quantity |
|-----------|---------------|--|-----------------|
| 17 | SEE KIT | O-RING (SEE 70-0746) | 1 |
| 18 | SEE KIT | O-RING (SEE 70-0746) | 1 |
| 19 | SEE KIT | SOLENOID PISTON (SEE 70-0746) | 1 |
| 20 | 44-0033 | BURNER HOUSING | 1 |
| 21 | 2-0068 | MOTOR (4-0017) | 1 |
| 21 | 2-0067 | MOTOR (4-0018) | 1 |
| 22 | 44-0071 | BLOWER WHEEL | 1 |
| 23 | 44-0014 | COUPLER | 1 |
| 24 | 44-0017 | IGNITION TRANSFORMER (4-0017) | 1 |
| 24 | 44-0015 | IGNITION TRANSFORMER (4-0018) | 1 |
| 25 | 44-0114 | ELECTRODE | 2 |
| | 4-0017 | COMPLETE BURNER (INC 1-17) | |
| | 4-0018 | COMPLETE BURNER (INC 1-17) | |
| KIT | 70-0746 | SOLENOID TUBE KIT (INC 9, 10, 12, 13, 17-19) | |



HDS-3506-0H6A / HDS-3506-0H6A (sn:0-99999999)

UNLOADER ASSY





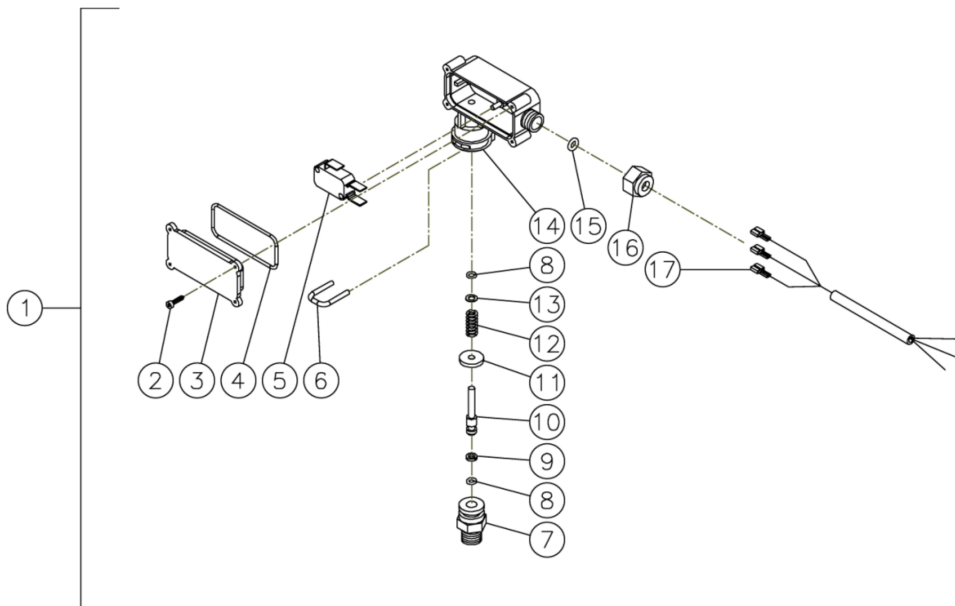
| Id | Item # | Description | Quantity |
|----|---------|--------------------|----------|
| 1 | 27-8077 | BOLT | 1 |
| 2 | 30-3010 | HEX NUT | 1 |
| 3 | 27-8434 | BOLT | 4 |
| 4 | 29-0154 | LOCKWASHER | 8 |
| 5 | 8-0138 | UPPER BODY | 1 |
| 6 | 8-0277 | WASHER | 1 |
| 7 | 8-0125 | BY-PASS RESTRICTOR | 1 |
| 8 | 8-0135 | SPRING GUIDE | 1 |
| 9 | 25-0118 | O-RING | 1 |

| Id | Item # | Description | Quantity |
|-----------|---------------|---|-----------------|
| 10 | 49-0026 | SPRING | 1 |
| 11 | 8-0145 | VALVE SEAT | 1 |
| 12 | 8-0141 | BACK-UP RING | 1 |
| 13 | 25-0121 | O-RING | 1 |
| 14 | 25-0117 | O-RING | 1 |
| 15 | 8-0128 | FLOW BALANCER | 1 |
| 16 | 8-0130 | NIPPLE | 1 |
| 17 | 25-0052 | O-RING | 1 |
| 18 | 25-0119 | O-RING | 1 |
| 19 | 8-0137 | MIDDLE BODY | 1 |
| 20 | 25-0114 | O-RING | 2 |
| 21 | 39-0017 | HEX PLUG | 2 |
| 22 | 25-0056 | O-RING | 1 |
| 23 | 25-0120 | O-RING | 1 |
| 24 | 8-0136 | PISTON ASSEMBLY | 1 |
| 25 | 26-0104 | SEAL | 1 |
| 26 | 49-0027 | SPRING | 1 |
| 27 | 8-0139 | WASHER | 1 |
| 28 | 26-0105 | SEAL | 1 |
| 29 | 8-0140 | BACK-UP RING | 1 |
| 30 | 8-0134 | LOWER BODY | 1 |
| 31 | 27-8037 | BOLT | 4 |
| KIT | 70-0013 | UNLOADER REPAIR KIT (INC. 9, 11, 13, 14, 17, 18, 20, 22-26, 28, 29) | |
| KIT | 852-0015 | UNLOADER ORFICE KIT (INC. 1 EACH OF 7, 15, 16) | |



HDS-3506-0H6A / HDS-3506-0H6A (sn:0-99999999)

PRESSURE SWITCH



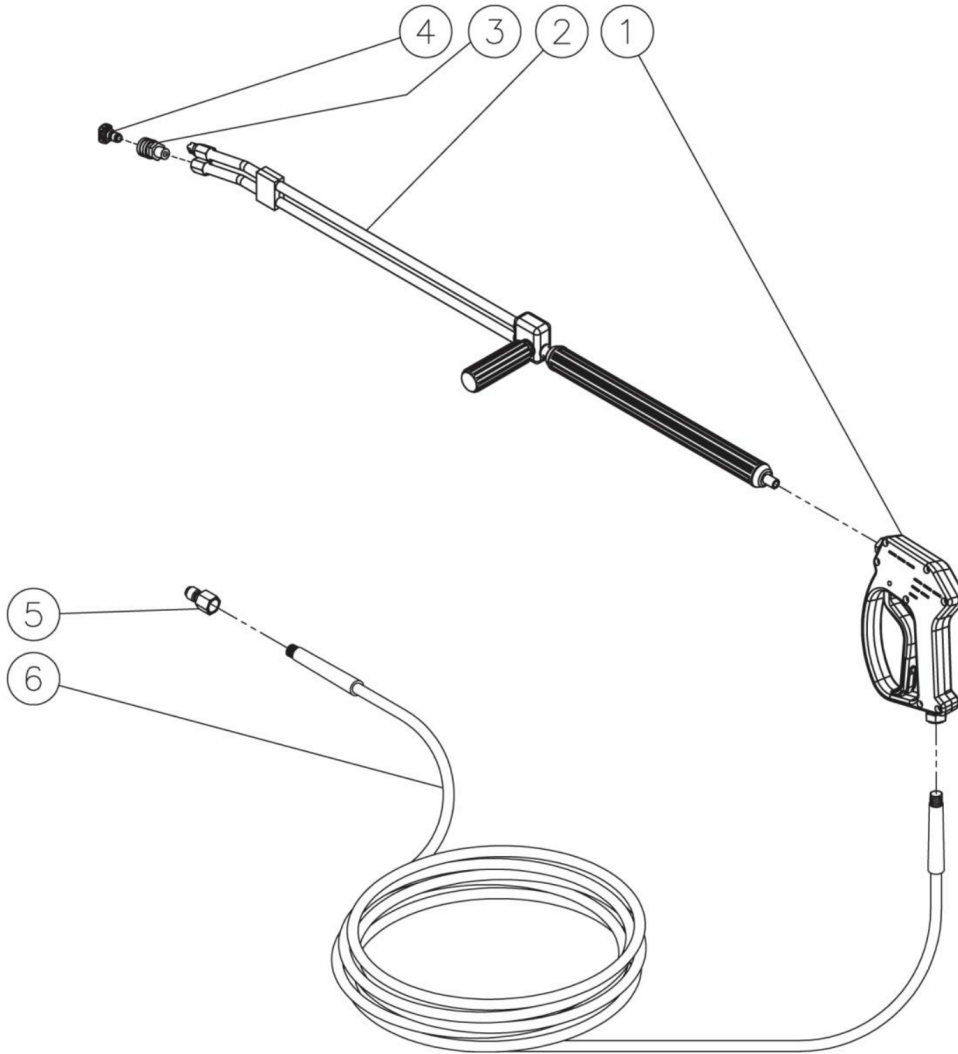
| Id | Item # | Description | Quantity |
|----|----------|----------------------------|----------|
| 1 | 22-0171 | PRESSURE SWITCH- 15 BAR | 1 |
| 1 | 22-0243 | PRESSURE SWITCH- 25 BAR | 1 |
| 2 | N/A | SCREW | 4 |
| 3 | N/A | COVER | 1 |
| 4 | N/A Sep. | O-RING (SEE 70-0306) | 1 |
| 5 | N/A | MICRO SWITCH | 1 |
| 6 | N/A | RETAINER CLIP | 1 |
| 7 | N/A | BODY | 1 |
| 8 | N/A Sep. | O-RING (SEE 70-0306) | 2 |
| 9 | N/A Sep. | BACK-UP RING (SEE 70-0306) | 1 |
| 10 | N/A | PISTON | 1 |
| 11 | N/A | WASHER | 1 |
| 12 | 49-0144 | SPRING- 15 BAR | 1 |
| 12 | 49-0145 | SPRING- 25 BAR | 1 |
| 13 | N/A | WASHER | 1 |
| 14 | N/A | PLASTIC HOUSING | 1 |

| Id | Item # | Description | Quantity |
|-----------|---------------|-------------------------------------|-----------------|
| 15 | N/A Sep. | O-RING (SEE 70-0306) | 1 |
| 16 | N/A | NUT- 15 BAR | 1 |
| 16 | N/A | NUT- 25 BAR | 1 |
| 17 | N/A | WIRE ASSEMBLY | 1 |
| KIT | 70-0306 | O-RING REPAIR KIT (INC. 4, 8-9, 15) | |



HDS-3506-0H6A / HDS-3506-0H6A (sn:0-99999999)

GUN/WAND/HOSE ASSY



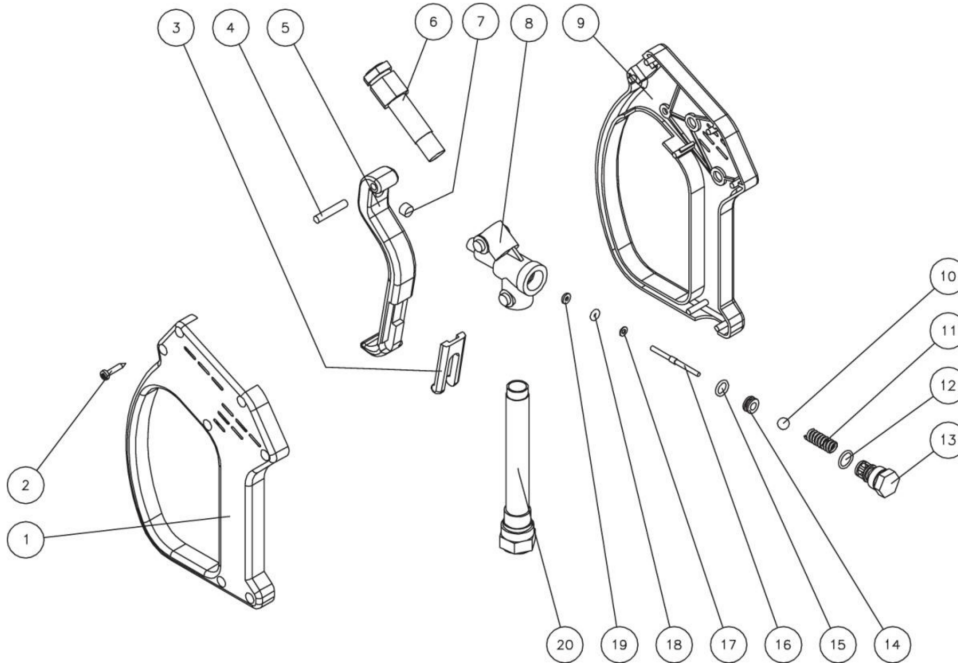
| Id | Item # | Description | Quantity |
|----|---------|---------------------------------|----------|
| 1 | 16-0446 | GUN ASSEMBLY | 1 |
| 2 | 16-0417 | DUAL LANCE 48" (3005) | 1 |
| 2 | 16-0416 | DUAL LANCE 36" (1803/2004/3004) | 1 |
| 3 | 17-0028 | QUICK CONNECT SOCKET | 1 |
| 4 | 18-0402 | NOZZLE- 0004.5 (3004) | 1 |
| 4 | 18-0403 | NOZZLE- 1504.5 (3004) | 1 |
| 4 | 18-0404 | NOZZLE- 2504.5 (3004) | 1 |
| 4 | 18-0405 | NOZZLE- 4004.5 (3004) | 1 |

| Id | Item # | Description | Quantity |
|-----------|---------------|--------------------------------------|-----------------|
| 4 | 18-0410 | NOZZLE- 0005.5 (3005) | 1 |
| 4 | 18-0411 | NOZZLE- 1505.5 (3005) | 1 |
| 4 | 18-0412 | NOZZLE- 2505.5 (3005) | 1 |
| 4 | 18-0413 | NOZZLE- 4005.5 (3005) | 1 |
| 4 | 18-0414 | NOZZLE- 0006 (2004) | 1 |
| 4 | 18-0415 | NOZZLE- 1506 (2004) | 1 |
| 4 | 18-0416 | NOZZLE- 2506 (2004) | 1 |
| 4 | 18-0417 | NOZZLE- 4006 (2004) | 1 |
| 4 | 18-0007 | NOZZLE- 0007 (1805) | 1 |
| 4 | 18-0008 | NOZZLE- 1507 (1805) | 1 |
| 4 | 18-0009 | NOZZLE- 2507 (1805) | 1 |
| 4 | 18-0032 | NOZZLE- 4007 (1805) | 1 |
| 5 | 17-0006 | QUICK CONNECT PLUG | 1 |
| 6 | 15-0166 | HIGH PRESSURE HOSE ASSEMBLY 4500 PSI | 1 |
| 6 | 15-0146 | HIGH PRESSURE HOSE ASSEMBLY 3000 PSI | 1 |



HDS-3506-0H6A / HDS-3506-0H6A (sn:0-99999999)

GUN ASSY



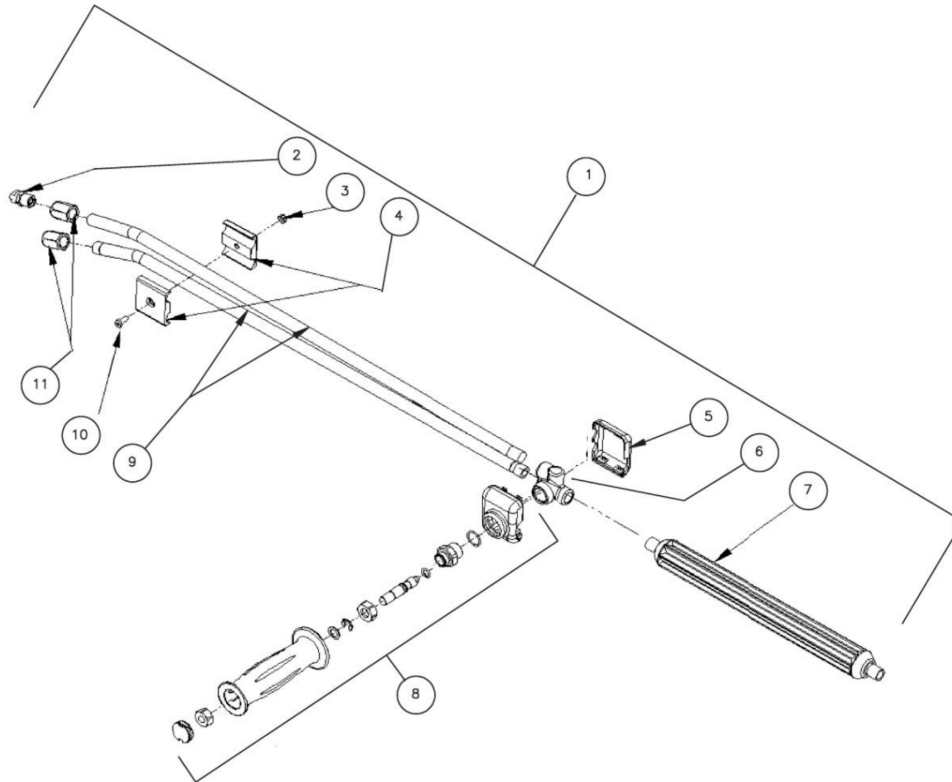
| Id | Item # | Description | Quantity |
|----|----------|-------------------------|----------|
| 1 | N/A | PLASTIC HOUSING (LEFT) | 1 |
| 2 | N/A | SCREW | 7 |
| 3 | N/A | SAFETY LATCH | 1 |
| 4 | N/A | PIN | 1 |
| 5 | 16-0393 | TRIGGER | 1 |
| 6 | 16-0395 | TUBE | 1 |
| 7 | 16-0394 | STRIKER | 1 |
| 8 | N/A | BODY | 1 |
| 9 | N/A | PLASTIC HOUSING (RIGHT) | 1 |
| 10 | N/A Sep. | BALL (SEE 70-0332) | 1 |
| 11 | N/A | SPRING | 1 |
| 12 | N/A Sep. | O-RING (SEE 70-0332) | 1 |
| 13 | N/A | SPRING HOUSING PLUG | 1 |
| 14 | N/A Sep. | SEAT (SEE 70-0332) | 1 |
| 15 | N/A Sep. | O-RING (SEE 70-0332) | 1 |

| Id | Item # | Description | Quantity |
|-----------|---------------|---|-----------------|
| 16 | N/A Sep. | PISTON (SEE 70-0332) | 1 |
| 17 | N/A | WASHER | 1 |
| 18 | N/A Sep. | O-RING (SEE 70-0332) | 1 |
| 19 | N/A Sep. | BACK-UP RING (SEE 70-0332) | 1 |
| 20 | 16-0396 | TUBE | 1 |
| KIT | 70-0332 | REPAIR KIT (INC. 10, 12, 14-16, 18, 19) | 1 |



HDS-3506-0H6A / HDS-3506-0H6A (sn:0-99999999)

DUAL LANCE ASSEMBLY



| Id | Item # | Description | Quantity |
|----|----------|--|----------|
| 1 | 16-0416 | DUAL LANCE ASSEMBLY - 36" (INC. 2-11) | 1 |
| 1 | 16-0417 | DUAL LANCE ASSEMBLY - 48" (INC. 2-11) | 1 |
| 2 | 18-0110 | DETERGENT NOZZLE | 1 |
| 3 | 30-6001 | NUT | 1 |
| 4 | 16-0420 | CLAMP | 2 |
| 5 | N/A Sep. | LOWER VALVE COVER (SEE 16-0416 OR 16-0417) | 1 |
| 6 | N/A Sep. | HOUSING (SEE 16-0416 OR 16-0417) | 1 |
| 7 | 16-0419 | LANCE | 1 |
| 8 | 70-0419 | HANDLE REPAIR KIT | 1 |
| 9 | N/A Sep. | LANCE (SEE 16-0416) | 2 |
| 9 | N/A Sep. | LANCE (SEE 16-0417) | 2 |
| 10 | 27-8196 | SCREW | 1 |

| Id | Item # | Description | Quantity |
|-----------|---------------|--------------------|-----------------|
| 11 | 24-0280 | NOZZLE ADAPTER | 2 |