



WATER PUMP BREAKDOWN

WP-3070S



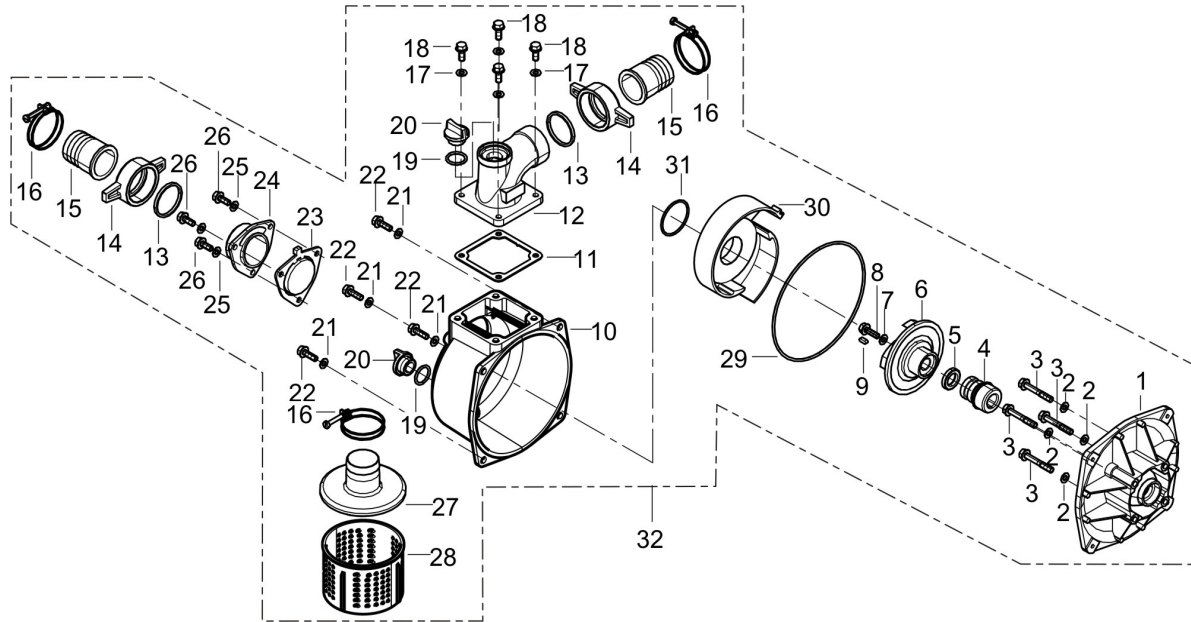
REF #	DESCRIPTION	QTY	NOTES
N/A	ENGINE, POWEREASE 210CC	1	SEE 85.570.070 BREAKDOWN



WATER PUMP BREAKDOWN

WP-3070S

WATER PUMP ASSEMBLY



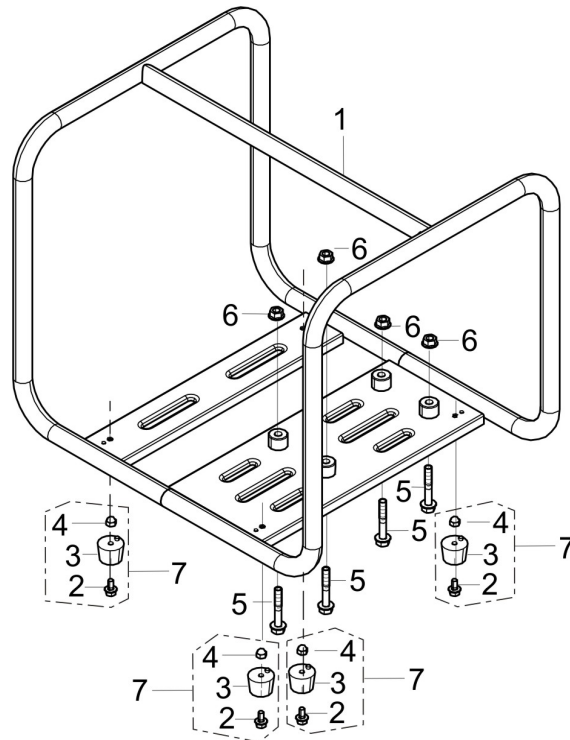
REF #	DESCRIPTION	QTY	BE PART #
1	WATER PUMP JOINT	1	50.003.207
2	WASHER	4	50.003.200
3	BOLT	4	
7	WASHER	1	
8	BOLT	1	
9	KEY	1	
17	WASHER	4	
22	BOLT	4	50.003.202
4	SEAL ASSY, MECHANISM	1	
5	PORCELAIN SEAL	1	
11	OUTLET GASKET	1	
23	INLET WATER GASKET	1	
29	WATER PUMP JOINT CUSHION	1	50.003.201
31	WHORL CASE SEALING RING	1	
6	WATER PUMP IMPELLER	1	
10	PUMP BODY	1	50.003.206
12	WATER OUTLET	1	50.003.204
24	WATER INLET	1	
19	SCREW PLUG WASHER	2	50.002.203
20	THREAD PLUG	2	
27	TOP STRAINER	1	50.003.208
28	BOTTOM STRAINER	1	
30	WHORL CASE	1	50.003.205



WATER PUMP BREAKDOWN

WP-3070S

FRAME ASSEMBLY



REF #	DESCRIPTION	QTY	BE PART #
1	ENGINE FRAME ASSY	1	50.003.209
2	BOLT	4	50.002.205
3	ENGINE FRAME SHOCK ABSORBITION SEAT	4	
4	ACORN NUT	4	