

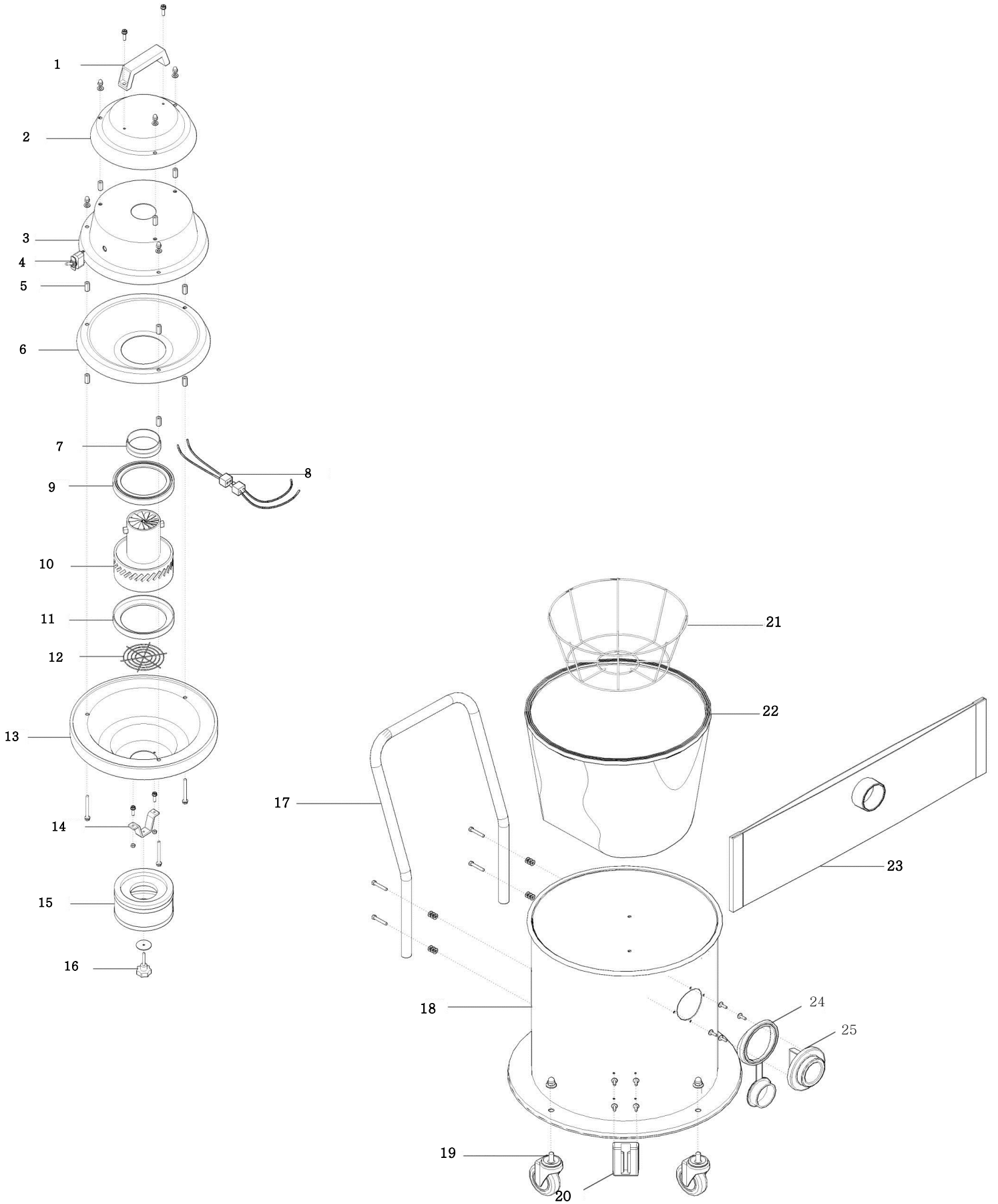


**CORE VAC
PARTS LIST**

**MODEL
CV150C**

AUGUST 2019

CV150C



	DP #	DESCRIPTION
1	2508586	HEAD HANDLE(140DW)
2	2508591	TOP HEAD COVER(140DW)
3	2508592	MID COVER(140DW)
4	2508585	ON/OFF SWITCH
5	2508593	LONG NUT
6	2508594	MID COVER(140DW)
7	2508595	MOTOR COVER TOP
8	2508596	MOTOR&ON/OFF SWITCH CABLE CONNECTER
9	2508597	MOTOR COVER MID
10	2508581	MAIN MOTOR
11	2508598	MOTOR COVER LOW
12	2508599	MASH COVER
13	2508600	END HEAD COVER(140DW)
14	2508601	FILTER BRIDGE
15	2508576	HEPAR FILTER(140DW)
16	2508602	FILTER BOLT
17	2508620	HANDLE(140DW)
18	2508603	MAIN DRUM(140DW)
19	2508582	TURN WHEEL 2.5"
20	2508604	HANGING STAND
21	2508605	FILTER FRAME
22	2508577	FILTER
23	2508578	COLLECTION BAG
24	2508606	SUCTION HOLE CAP
25	2508607	SUCTION HOLE(140DW)

EQUIPMENT AND PARTS WARRANTY

Diamond Products warrants all equipment manufactured by it against defects in workmanship or materials for a period of 90 Days from the date of shipment to Customer. The responsibility of Diamond Products under this Warranty is limited to replacement or repair of defective parts at Diamond Products' Elyria, Ohio factory, or at a point designated by it, of such parts as shall appear to us upon inspection at such parts, to have been defective in material or workmanship, with expense for transportation and labor borne by Customer. In no event shall Diamond Products be liable for consequential or incidental damages arising out of the failure of any Product to operate properly.

THIS WARRANTY IS IN LIEU OF ALL OTHER WARRANTIES, EXPRESSED OR IMPLIED, AND ALL SUCH OTHER WARRANTIES ARE HEREBY DISCLAIMED.



333 Prospect Street, Elyria, Ohio 44035
(440) 323-4616 • (800) 321-5336 • Fax (800) 634-4035
www.diamondproducts.com